

## Machine Automation Controller NJ/NX-series

### Instructions Reference Manual

NX701-1□□□

NX502-1□□□

NX102-1□□□

NX102-90□□

NX1P2-1□□□□□

NX1P2-9□□□□□

NJ501-□□□□

NJ301-1□□□


NJ101-10□□

NJ101-90□□

## NOTE

1. All rights reserved. No part of this publication may be reproduced, stored in a retrieval system, or transmitted, in any form, or by any means, mechanical, electronic, photocopying, recording, or otherwise, without the prior written permission of OMRON.
2. No patent liability is assumed with respect to the use of the information contained herein. Moreover, because OMRON is constantly striving to improve its high-quality products, the information contained in this manual is subject to change without notice.
3. Every precaution has been taken in the preparation of this manual. Nevertheless, OMRON assumes no responsibility for errors or omissions. Neither is any liability assumed for damages resulting from the use of the information contained in this publication.

## Trademarks

- Sysmac and SYSMAC are trademarks or registered trademarks of OMRON Corporation in Japan and other countries for OMRON factory automation products.
- Microsoft, Windows, Excel, Visual Basic, and Microsoft Edge are either registered trademarks or trademarks of Microsoft Corporation in the United States and other countries.
- EtherCAT® is registered trademark and patented technology, licensed by Beckhoff Automation GmbH, Germany.
- ODVA, CIP, CompoNet, DeviceNet, and EtherNet/IP are trademarks of ODVA.
- The SD and SDHC logos are trademarks of SD-3C, LLC. 

Other company names and product names in this document are the trademarks or registered trademarks of their respective companies.

## Copyrights

- Microsoft product screen shots used with permission from Microsoft.
- This product incorporates certain third party software. The license and copyright information associated with this software is available at [http://www.fa.omron.co.jp/nj\\_info\\_e/](http://www.fa.omron.co.jp/nj_info_e/).

# Introduction

---

Thank you for purchasing an NJ/NX-series CPU Unit.

This manual contains information that is necessary to use the NJ/NX-series CPU Unit. Please read this manual and make sure you understand the functionality and performance of the NJ/NX-series CPU Unit before you attempt to use it in a control system.

Keep this manual in a safe place where it will be available for reference during operation.

## Intended Audience

This manual is intended for the following personnel, who must also have knowledge of electrical systems (an electrical engineer or the equivalent).

- Personnel in charge of introducing FA systems.
- Personnel in charge of designing FA systems.
- Personnel in charge of installing and maintaining FA systems.
- Personnel in charge of managing FA systems and facilities.

For programming, this manual is intended for personnel who understand the programming language specifications in international standard IEC 61131-3 or Japanese standard JIS B 3503.

## Applicable Products

This manual covers the following products.

- NX-series CPU Units
  - NX701-1□□□
  - NX502-1□□□
  - NX102-1□□□
  - NX102-90□□
  - NX1P2-1□□□□□
  - NX1P2-9□□□□□
- NJ-series CPU Units
  - NJ501-□□□□
  - NJ301-1□□□
  - NJ101-10□□
  - NJ101-90□□

Part of the specifications and restrictions for the CPU Units are given in other manuals. Refer to *Relevant Manuals* on page 2 and *Related Manuals* on page 27.



Purpose of use	Manual										
	Basic information										
	NJ/NX-series Troubleshooting Manual	NJ/NY-series NC Integrated Controller User's Manual	NJ-series NJ Robotics CPU Unit User's Manual	NJ-series Robot Integrated CPU Unit User's Manual	NJ-series SECS/GEM CPU Units User's Manual	NJ/NX-series Database Connection CPU Units User's Manual	NX-series CPU Unit FINS User's Manual	NJ/NX-series CPU Unit OPC UA User's Manual	NJ/NX-series CPU Unit Built-in EtherNet/IP Port User's Manual	NJ/NX-series CPU Unit Built-in EtherCAT Port User's Manual	NJ/NX-series Motion Control Instructions Reference Manual
Software settings											
Using motion control											○
Using EtherCAT									○		
Using EtherNet/IP								○			
Using OPC UA							○				
Using FINS						○					
Using the database connection service					○						
Using the GEM Services						○					
Using robot control for OMRON robots				○							
Using robot control by NJ Robotics function			○								
Using numerical control		○									
Using the NX1P2 CPU Unit functions										○	
Writing the user program											
Using motion control										○	○
Using EtherCAT									○		
Using EtherNet/IP								○			
Using OPC UA							○				
Using FINS						○					
Using the database connection service					○						
Using the GEM Services						○					
Using robot control for OMRON robots				○							
Using robot control by NJ Robotics function			○								
Using numerical control		○									
Programming error processing											○
Using the NX1P2 CPU Unit functions										○	

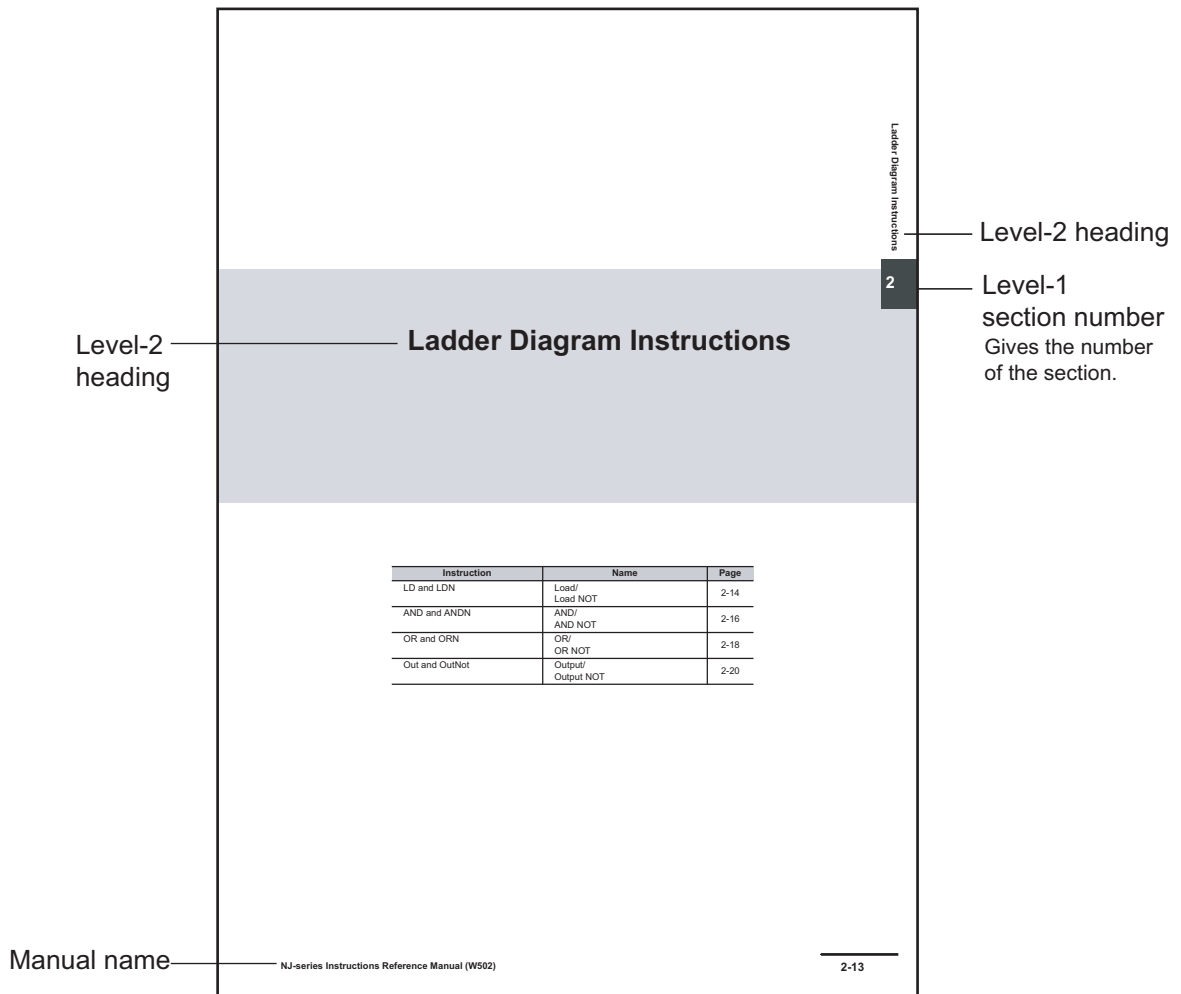
Purpose of use	Manual												
	Basic information					NJ/NX-series Motion Control Instructions Reference Manual	NJ/NX-series Motion Control User's Manual	NJ/NX-series CPU Unit	NJ/NX-series CPU Unit Built-in EtherCAT Port User's Manual	NJ/NX-series CPU Unit Built-in EtherNet/IP Port User's Manual	NJ/NX-series CPU Unit OPC UA User's Manual	FINS User's Manual	NJ/NX-series Database Connection CPU Units User's Manual
	NJ/NX-series CPU Unit Software User's Manual	NJ-series CPU Unit Hardware User's Manual	NX-series NX1P2 CPU Unit Hardware User's Manual	NX-series NX102 CPU Unit Hardware User's Manual	NX-series NX502 CPU Unit Hardware User's Manual								
Testing operation and debugging													
Using motion control													
Using EtherCAT													
Using EtherNet/IP													
Using OPC UA													
Using FINS													
Using the database connection service													
Using the GEM Services													
Using robot control for OMRON robots													
Using robot control by NJ Robotics function													
Using numerical control													
Using the NX1P2 CPU Unit functions													
Learning about error management and corrections*1													
Maintenance													
Using motion control													
Using EtherCAT													
Using EtherNet/IP													

\*1. Refer to the *NJ/NX-series Troubleshooting Manual (Cat. No. W503)* for the error management concepts and the error items. However, refer to the manuals that are indicated with triangles for details on errors corresponding to the products with the manuals that are indicated with triangles.

# Manual Structure

## Page Structure

The following page structure is used in this manual.



2 Instruction Descriptions

## OR and ORN

OR: Takes the logical OR of the value of a BOOL variable and the execution condition.

ORN: Takes the logical OR of the inverse of the value of a BOOL variable and the execution condition.

Instruction	Name	FB/FUN	Graphic expression	ST expression
OR	OR	---		result:=vBool1 OR vBool2;
ORN	OR NOT	---		result:=vBool1 OR NOT vBool2;

**Variables**

None

**Function**

- **OR**

The OR instruction takes the logical OR of the value of a specified BOOL variable and the execution condition and outputs it to the next instruction. Use the OR instruction for a NO bit connected in parallel with the previous instruction. Use the OR instruction to configure a logical OR between an NO bit and one of the following: a LD or LDN instruction connected directly to the bus bar, or the logic block starting with a LD or LDN instruction and ending with the instruction immediately before the OR instruction.
- **ORN**

The ORN instruction takes the logical OR of the inverse of the value of a specified BOOL variable and the execution condition and outputs it to the next instruction. Use the ORN instruction for a NC bit connected in parallel with the previous instruction. Use the ORN instruction to configure a logical OR between an NC bit and one of the following: a LD or LDN instruction connected directly to the bus bar, or the logic block starting with a LD or LDN instruction and ending with the instruction immediately before the ORN instruction.

The following figure shows a programming example of the OR instruction. It takes the logical OR of variable A and variable B and outputs it to variable C.

NJ-series Instructions Reference Manual (W502)
2-17

Level-3 heading

Level-1 heading

Level-2 heading

Level-3 heading

Give the current headings.

Level-1 section number

Gives the number of the section.

**Note** These pages are for illustrative purposes only. They may not literally appear in this manual.

## Special Information

Special information in this manual is classified as follows:



### Precautions for Safe Use

Precautions on what to do and what not to do to ensure safe usage of the product.



### Precautions for Correct Use

Precautions on what to do and what not to do to ensure proper operation and performance.



### Additional Information

Additional information to read as required.

This information is provided to increase understanding or make operation easier.



### Version Information

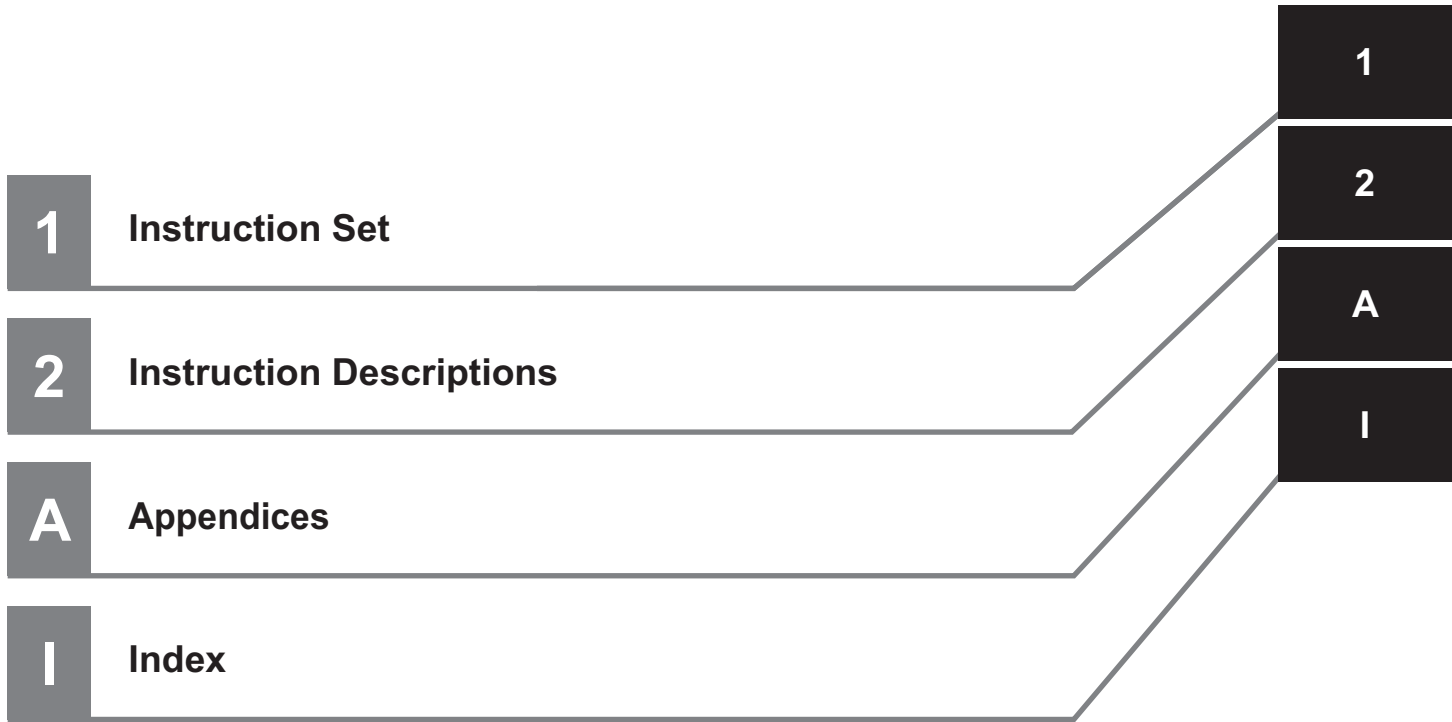


Information on differences in specifications and functionality for Controller with different unit versions and for different versions of the Sysmac Studio is given.



# Sections in this Manual

---



# CONTENTS

---

<b>Introduction .....</b>	<b>1</b>
Intended Audience .....	1
Applicable Products .....	1
<b>Relevant Manuals .....</b>	<b>2</b>
<b>Manual Structure .....</b>	<b>5</b>
Page Structure .....	5
Special Information .....	6
<b>Sections in this Manual .....</b>	<b>9</b>
<b>Terms and Conditions Agreement .....</b>	<b>19</b>
Warranty, Limitations of Liability .....	19
Application Considerations .....	20
Disclaimers .....	20
Statement of security responsibilities for assumed use cases and against threats .....	21
<b>Safety Precautions .....</b>	<b>22</b>
<b>Precautions for Safe Use .....</b>	<b>23</b>
<b>Precautions for Correct Use .....</b>	<b>24</b>
<b>Regulations and Standards .....</b>	<b>25</b>
<b>Versions .....</b>	<b>26</b>
Unit Versions of CPU Units and Sysmac Studio Versions .....	26
<b>Related Manuals .....</b>	<b>27</b>
<b>Revision History .....</b>	<b>32</b>

## Section 1    Instruction Set

---

<b>Instruction Set .....</b>	<b>1-2</b>
Ladder Diagram Instructions .....	1-2
ST Statement Instructions .....	1-2
Sequence Input Instructions .....	1-2
Sequence Output Instructions .....	1-3
Sequence Control Instructions .....	1-3
Comparison Instructions .....	1-3
Timer Instructions .....	1-5
Counter Instructions .....	1-5
Math Instructions .....	1-5
BCD Conversion Instructions .....	1-6
Data Type Conversion Instructions .....	1-7
Bit String Processing Instructions .....	1-8
Selection Instructions .....	1-9
Data Movement Instructions .....	1-9
Shift Instructions .....	1-10
Conversion Instructions .....	1-10
Stack and Table Instructions .....	1-12
FCS Instructions .....	1-13

Text String Instructions .....	1-13
Time and Time of Day Instructions .....	1-14
Analog Control Instructions.....	1-15
System Control Instructions .....	1-15
Program Control Instructions .....	1-17
EtherCAT Communications Instructions .....	1-17
IO-Link Communications Instructions .....	1-18
EtherNet/IP Communications Instructions .....	1-18
Serial Communications Instructions .....	1-20
SD Memory Card Instructions.....	1-20
Time Stamp Instructions .....	1-21
Other Instructions .....	1-21

## Section 2 Instruction Descriptions

<b>Using this Section.....</b>	<b>2-3</b>
Items .....	2-3
Common Variables.....	2-5
Valid Ranges and Default Values of Variables.....	2-9
Derivative Data Types (Enumerations, Structures, and Unions) .....	2-10
Array Specifications .....	2-11
Others .....	2-12
<b>Ladder Diagram Instructions .....</b>	<b>2-13</b>
LD and LDN .....	2-14
AND and ANDN .....	2-17
OR and ORN .....	2-20
Out and OutNot.....	2-23
<b>ST Statement Instructions.....</b>	<b>2-27</b>
IF.....	2-28
CASE .....	2-32
WHILE .....	2-36
REPEAT .....	2-39
EXIT .....	2-42
RETURN.....	2-45
FOR .....	2-46
<b>Sequence Input Instructions.....</b>	<b>2-47</b>
R_TRIG (Up) and F_TRIG (Down) .....	2-48
TestABit and TestABitN .....	2-52
<b>Sequence Output Instructions.....</b>	<b>2-55</b>
RS .....	2-56
SR.....	2-59
Set and Reset .....	2-62
SetBits and ResetBits.....	2-66
SetABit and ResetABit.....	2-69
OutABit .....	2-71
<b>Sequence Control Instructions.....</b>	<b>2-73</b>
End .....	2-74
RETURN.....	2-75
MC and MCR .....	2-77
JMP .....	2-90
FOR and NEXT.....	2-92
BREAK.....	2-99
<b>Comparison Instructions.....</b>	<b>2-101</b>
EQ (=) .....	2-102
NE (<>) .....	2-105
LT (<), LE (<=), GT (>), and GE (>=) .....	2-108
EQascii .....	2-111
NEascii.....	2-113
LTascii, LEascii, GTascii, and GEascii .....	2-115
Cmp .....	2-118

ZoneCmp .....	2-120
TableCmp .....	2-122
AryCmpEQ and AryCmpNE .....	2-125
AryCmpLT, AryCmpLE, AryCmpGT, and AryCmpGE .....	2-127
AryCmpEQV and AryCmpNEV .....	2-130
AryCmpLTV, AryCmpLEV, AryCmpGTV, and AryCmpGEV .....	2-132
<b>Timer Instructions .....</b>	<b>2-135</b>
TON .....	2-136
TOF .....	2-142
TP .....	2-145
AccumulationTimer .....	2-148
Timer .....	2-152
<b>Counter Instructions .....</b>	<b>2-155</b>
CTD .....	2-156
CTD_** .....	2-158
CTU .....	2-161
CTU_** .....	2-164
CTUD .....	2-167
CTUD_** .....	2-172
<b>Math Instructions .....</b>	<b>2-177</b>
ADD (+) .....	2-179
AddOU (+OU) .....	2-183
SUB (-) .....	2-187
SubOU (-OU) .....	2-190
MUL (*) .....	2-194
MulOU (*OU) .....	2-198
DIV (/) .....	2-202
MOD .....	2-205
ABS .....	2-207
RadToDeg and DegToRad .....	2-209
SIN, COS, and TAN .....	2-211
ASIN, ACOS, and ATAN .....	2-214
SQRT .....	2-217
LN and LOG .....	2-220
EXP .....	2-224
EXPT (**) .....	2-226
Inc and Dec .....	2-232
Rand .....	2-234
AryAdd .....	2-236
AryAddV .....	2-238
ArySub .....	2-240
ArySubV .....	2-242
AryMean .....	2-244
ArySD .....	2-246
ModReal .....	2-248
Fraction .....	2-250
CheckReal .....	2-252
<b>BCD Conversion Instructions .....</b>	<b>2-255</b>
**_BCD_TO_** .....	2-256
**_TO_BCD_** .....	2-259
BCD_TO_** .....	2-262
BCDsToBin .....	2-265
BinToBCDs_** .....	2-268
AryToBCD .....	2-271
AryToBin .....	2-273
<b>Data Type Conversion Instructions .....</b>	<b>2-275</b>
**_TO_** (Integer-to-Integer Conversion Group) .....	2-277
**_TO_** (Integer-to-Bit String Conversion Group) .....	2-280
**_TO_** (Integer-to-Real Number Conversion Group) .....	2-283
**_TO_** (Bit String-to-Integer Conversion Group) .....	2-286
**_TO_** (Bit String-to-Bit String Conversion Group) .....	2-289
**_TO_** (Bit String-to-Real Number Conversion Group) .....	2-291

**_TO_*** (Real Number-to-Integer Conversion Group).....	2-293
**_TO_*** (Real Number-to-Bit String Conversion Group).....	2-296
**_TO_*** (Real Number-to-Real Number Conversion Group).....	2-299
**_TO_STRING (Integer-to-Text String Conversion Group).....	2-301
**_TO_STRING (Bit String-to-Text String Conversion Group).....	2-303
**_TO_STRING (Real Number-to-Text String Conversion Group).....	2-305
RealToFormatString.....	2-307
LrealToFormatString.....	2-313
STRING_TO_** (Text String-to-Integer Conversion Group).....	2-319
STRING_TO_** (Text String-to-Bit String Conversion Group).....	2-321
STRING_TO_** (Text String-to-Real Number Conversion Group).....	2-323
TO_** (Integer Conversion Group).....	2-327
TO_** (Bit String Conversion Group).....	2-329
TO_** (Real Number Conversion Group).....	2-331
EnumToNum.....	2-333
NumToEnum.....	2-335
TRUNC, Round, and RoundUp.....	2-338
<b>Bit String Processing Instructions.....</b>	<b>2-341</b>
AND (&), OR, and XOR.....	2-342
XORN.....	2-345
NOT.....	2-347
AryAnd, AryOr, AryXor, and AryXorN.....	2-349
<b>Selection Instructions.....</b>	<b>2-353</b>
SEL.....	2-354
MUX.....	2-356
LIMIT.....	2-359
Band.....	2-361
Zone.....	2-363
MAX and MIN.....	2-365
AryMax and AryMin.....	2-367
ArySearch.....	2-370
<b>Data Movement Instructions.....</b>	<b>2-373</b>
MOVE.....	2-374
MoveBit.....	2-377
MoveDigit.....	2-379
TransBits.....	2-381
MemCopy.....	2-383
SetBlock.....	2-385
Exchange.....	2-387
AryExchange.....	2-389
AryMove.....	2-391
Clear.....	2-393
Copy**ToNum (Bit String to Signed Integer).....	2-395
Copy**To*** (Bit String to Real Number).....	2-397
CopyNumTo** (Signed Integer to Bit String).....	2-399
CopyNumTo** (Signed Integer to Real Number).....	2-401
Copy**To*** (Real Number to Bit String).....	2-403
Copy**ToNum (Real Number to Signed Integer).....	2-405
<b>Shift Instructions.....</b>	<b>2-407</b>
AryShiftReg.....	2-408
AryShiftRegLR.....	2-410
ArySHL and ArySHR.....	2-413
SHL and SHR.....	2-416
NSHLC and NSHRC.....	2-419
ROL and ROR.....	2-422
<b>Conversion Instructions.....</b>	<b>2-425</b>
Swap.....	2-427
Neg.....	2-429
Decoder.....	2-431
Encoder.....	2-434
BitCnt.....	2-436
ColmToLine_**.....	2-437

LineToColm .....	2-439
Gray .....	2-441
UTF8ToSJIS .....	2-446
SJISToUTF8 .....	2-448
PWLApprox and PWLApproxNoLineChk .....	2-450
PWLLineChk .....	2-456
MovingAverage .....	2-459
DispartReal .....	2-466
UniteReal .....	2-469
NumToDecString and NumToHexString .....	2-471
HexStringToNum_** .....	2-474
FixNumToString .....	2-476
StringToFixNum .....	2-478
DtToString .....	2-481
DateToString .....	2-483
TodToString .....	2-485
GrayToBin_** and BinToGray_** .....	2-487
StringToAry .....	2-490
AryToString .....	2-492
DispartDigit .....	2-494
UniteDigit_** .....	2-496
Dispart8Bit .....	2-498
Unite8Bit_** .....	2-500
ToAryByte .....	2-502
AryByteTo .....	2-508
SizeOfAry .....	2-514
PackWord .....	2-516
PackDword .....	2-518
LOWER_BOUND and UPPER_BOUND .....	2-520
<b>Stack and Table Instructions .....</b>	<b>2-525</b>
StackPush .....	2-526
StackFIFO and StackLIFO .....	2-535
StackIns .....	2-538
StackDel .....	2-541
RecSearch .....	2-543
RecRangeSearch .....	2-548
RecSort .....	2-553
RecNum .....	2-559
RecMax and RecMin .....	2-562
<b>FCS Instructions .....</b>	<b>2-567</b>
StringSum .....	2-568
StringLRC .....	2-570
StringCRCCCITT .....	2-572
StringCRC16 .....	2-574
AryLRC_** .....	2-576
AryCRCCCITT .....	2-578
AryCRC16 .....	2-580
<b>Text String Instructions .....</b>	<b>2-583</b>
CONCAT .....	2-584
LEFT and RIGHT .....	2-586
MID .....	2-589
FIND .....	2-591
LEN .....	2-593
REPLACE .....	2-595
DELETE .....	2-597
INSERT .....	2-599
GetByteLen .....	2-601
ClearString .....	2-603
ToUCase and ToLCase .....	2-605
TrimL and TrimR .....	2-607
AddDelimiter .....	2-609
SubDelimiter .....	2-621
StringMD5 .....	2-633



<b>Time and Time of Day Instructions .....</b>	<b>2-635</b>
ADD_TIME .....	2-637
ADD_TOD_TIME .....	2-639
ADD_DT_TIME .....	2-641
SUB_TIME .....	2-643
SUB_TOD_TIME .....	2-645
SUB_TOD_TOD .....	2-647
SUB_DATE_DATE .....	2-649
SUB_DT_DT .....	2-650
SUB_DT_TIME .....	2-652
MULTIME .....	2-654
DIVTIME .....	2-656
CONCAT_DATE_TOD .....	2-658
DT_TO_TOD .....	2-660
DT_TO_DATE .....	2-662
SetTime .....	2-664
GetTime .....	2-666
DtToSec .....	2-668
DateToSec .....	2-670
TodToSec .....	2-672
SecToDt .....	2-674
SecToDate .....	2-676
SecToTod .....	2-678
TimeToNanoSec .....	2-680
TimeToSec .....	2-681
NanoSecToTime .....	2-683
SecToTime .....	2-684
ChkLeapYear .....	2-686
GetDaysOfMonth .....	2-687
DaysToMonth .....	2-690
GetDayOfWeek .....	2-692
GetWeekOfYear .....	2-694
DtToDateStruct .....	2-696
DateStructToDt .....	2-699
TruncTime .....	2-702
TruncDt .....	2-706
TruncTod .....	2-710
<b>Analog Control Instructions.....</b>	<b>2-715</b>
PIDAT .....	2-716
PIDAT_HeatCool.....	2-747
TimeProportionalOut.....	2-785
LimitAlarm_** .....	2-805
LimitAlarmDv_** .....	2-810
LimitAlarmDvStbySeq_** .....	2-815
ScaleTrans .....	2-833
AC_StepProgram.....	2-836
<b>System Control Instructions .....</b>	<b>2-863</b>
TraceSamp .....	2-865
TraceTrig.....	2-869
GetTraceStatus .....	2-872
SetAlarm .....	2-875
ResetAlarm .....	2-880
GetAlarm.....	2-882
ResetPLCError .....	2-884
GetPLCError .....	2-888
ResetCJBError .....	2-890
GetCJBError .....	2-892
GetEIPErrer .....	2-894
ResetMCErrer.....	2-896
GetMCErrer .....	2-902
ResetECErrer .....	2-904
GetECErrer .....	2-906
ResetNXBErrer .....	2-909
GetNXBErrer.....	2-911

GetNXUnitError .....	2-913
ResetXBUnitError .....	2-920
GetXBError .....	2-922
GetXBUnitError .....	2-924
SetInfo .....	2-927
ResetUnit .....	2-929
GetNTPStatus .....	2-934
RestartNXUnit .....	2-936
NX_ChangeWriteMode .....	2-942
NX_SaveParam .....	2-948
PLC_ReadTotalPowerOnTime .....	2-954
NX_ReadTotalPowerOnTime .....	2-957
XBUnit_ReadTotalPowerOnTime .....	2-965
APB_ChangeSamplingSettings .....	2-967
<b>Program Control Instructions .....</b>	<b>2-971</b>
PrgStart .....	2-972
PrgStop .....	2-981
PrgStatus .....	2-1000
<b>EtherCAT Communications Instructions .....</b>	<b>2-1005</b>
EC_CoESDOWrite .....	2-1006
EC_CoESDORead .....	2-1009
EC_StartMon .....	2-1015
EC_StopMon .....	2-1021
EC_SaveMon .....	2-1023
EC_CopyMon .....	2-1025
EC_DisconnectSlave .....	2-1027
EC_ConnectSlave .....	2-1035
EC_ChangeEnableSetting .....	2-1037
EC_GetMasterStatistics .....	2-1057
EC_ClearMasterStatistics .....	2-1060
EC_GetSlaveStatistics .....	2-1062
EC_ClearSlaveStatistics .....	2-1065
NX_WriteObj .....	2-1067
NX_ReadObj .....	2-1083
<b>IO-Link Communications Instruction .....</b>	<b>2-1091</b>
IOL_ReadObj .....	2-1092
IOL_WriteObj .....	2-1101
<b>EtherNet/IP Communications Instructions .....</b>	<b>2-1111</b>
CIPOpen .....	2-1113
CIPOpenWithDataSize .....	2-1123
CIPRead .....	2-1127
CIPWrite .....	2-1133
CIPSend .....	2-1139
CIPCclose .....	2-1144
CIPUCMMRead .....	2-1147
CIPUCMMWrite .....	2-1153
CIPUCMMSend .....	2-1160
SkUDPCreate .....	2-1171
SkUDPRcv .....	2-1179
SkUDPSend .....	2-1183
SkTCPAccept .....	2-1186
SkTCPConnect .....	2-1189
SkTCPRcv .....	2-1198
SkTCPSend .....	2-1201
SkGetTCPStatus .....	2-1204
SkClose .....	2-1207
SkClearBuf .....	2-1210
SkSetOption .....	2-1213
SkTLSConnect .....	2-1218
SkTLSRead .....	2-1228
SkTLSWrite .....	2-1231
SkTLSDisconnect .....	2-1233
SkTLSClearBuf .....	2-1235

SktTLSStopLog .....	2-1237
ModbusTCPCmd .....	2-1240
ModbusTCPRead .....	2-1248
ModbusTCPWrite .....	2-1256
ChangeIPAdr .....	2-1264
ChangeXBUnitIPAdr .....	2-1274
ChangeFTPAccount .....	2-1278
ChangeNTPServerAdr .....	2-1282
FTPGetFileList .....	2-1287
FTPGetFile .....	2-1302
FTPPutFile .....	2-1311
FTPRemoveFile .....	2-1322
FTPRemoveDir .....	2-1332
<b>Serial Communications Instructions .....</b>	<b>2-1337</b>
ExecPMCR .....	2-1338
SerialSend .....	2-1352
SerialRcv and SerialRcvNoClear .....	2-1363
SendCmd .....	2-1378
NX_SerialSend .....	2-1391
NX_SerialRcv .....	2-1404
NX_ModbusRtuCmd .....	2-1419
NX_ModbusRtuRead .....	2-1430
NX_ModbusRtuWrite .....	2-1441
NX_SerialSigCtl .....	2-1452
NX_SerialSigRead .....	2-1460
NX_SerialStatusRead .....	2-1465
NX_SerialBufClear .....	2-1470
NX_SerialStartMon .....	2-1480
NX_SerialStopMon .....	2-1485
<b>SD Memory Card Instructions .....</b>	<b>2-1489</b>
FileWriteVar .....	2-1490
FileReadVar .....	2-1496
FileOpen .....	2-1502
FileClose .....	2-1506
FileSeek .....	2-1509
FileRead .....	2-1512
FileWrite .....	2-1520
FileGets .....	2-1528
FilePuts .....	2-1536
FileCopy .....	2-1545
FileRemove .....	2-1553
FileRename .....	2-1558
DirCreate .....	2-1564
DirRemove .....	2-1567
BackupToMemoryCard .....	2-1570
<b>Time Stamp Instructions .....</b>	<b>2-1583</b>
NX_DOutTimeStamp .....	2-1584
NX_AryDOutTimeStamp .....	2-1590
<b>Other Instructions .....</b>	<b>2-1599</b>
ReadNbit_** .....	2-1600
WriteNbit_** .....	2-1602
ChkRange .....	2-1604
GetMyTaskStatus .....	2-1607
GetMyTaskInterval .....	2-1610
Task_IsActive .....	2-1612
Lock and Unlock .....	2-1614
ActEventTask .....	2-1620
Get**Clk .....	2-1627
Get**Cnt .....	2-1629
GetPrgHashCode .....	2-1631

## Appendices

---

<b>A-1</b>	<b>Error Codes That You Can Check with ErrorID</b> .....	<b>A-2</b>
<b>A-2</b>	<b>Error Codes</b> .....	<b>A-33</b>
<b>A-3</b>	<b>Instructions You Cannot Use in Event Tasks</b> .....	<b>A-34</b>
<b>A-4</b>	<b>Instructions Related to NX Message Communications Errors</b> .....	<b>A-37</b>
<b>A-5</b>	<b>SDO Abort Codes</b> .....	<b>A-38</b>
<b>A-6</b>	<b>Version Information</b> .....	<b>A-39</b>
A-6-1	Instructions with Specifications Changes and New Instructions for Version Upgrades .....	A-39
A-6-2	What to Do If An Error Message Says the Instruction May Cause Unintended Operations .....	A-44

## Index

---

# Terms and Conditions Agreement

---

## Warranty, Limitations of Liability

### Warranties

---

- **Exclusive Warranty**

Omron's exclusive warranty is that the Products will be free from defects in materials and workmanship for a period of twelve months from the date of sale by Omron (or such other period expressed in writing by Omron). Omron disclaims all other warranties, express or implied.

- **Limitations**

OMRON MAKES NO WARRANTY OR REPRESENTATION, EXPRESS OR IMPLIED, ABOUT NON-INFRINGEMENT, MERCHANTABILITY OR FITNESS FOR A PARTICULAR PURPOSE OF THE PRODUCTS. BUYER ACKNOWLEDGES THAT IT ALONE HAS DETERMINED THAT THE PRODUCTS WILL SUITABLY MEET THE REQUIREMENTS OF THEIR INTENDED USE.

Omron further disclaims all warranties and responsibility of any type for claims or expenses based on infringement by the Products or otherwise of any intellectual property right.

- **Buyer Remedy**

Omron's sole obligation hereunder shall be, at Omron's election, to (i) replace (in the form originally shipped with Buyer responsible for labor charges for removal or replacement thereof) the non-complying Product, (ii) repair the non-complying Product, or (iii) repay or credit Buyer an amount equal to the purchase price of the non-complying Product; provided that in no event shall Omron be responsible for warranty, repair, indemnity or any other claims or expenses regarding the Products unless Omron's analysis confirms that the Products were properly handled, stored, installed and maintained and not subject to contamination, abuse, misuse or inappropriate modification. Return of any Products by Buyer must be approved in writing by Omron before shipment. Omron Companies shall not be liable for the suitability or unsuitability or the results from the use of Products in combination with any electrical or electronic components, circuits, system assemblies or any other materials or substances or environments. Any advice, recommendations or information given orally or in writing, are not to be construed as an amendment or addition to the above warranty.

See <https://www.omron.com/global/> or contact your Omron representative for published information.

### Limitation on Liability; Etc

---

OMRON COMPANIES SHALL NOT BE LIABLE FOR SPECIAL, INDIRECT, INCIDENTAL, OR CONSEQUENTIAL DAMAGES, LOSS OF PROFITS OR PRODUCTION OR COMMERCIAL LOSS IN ANY

WAY CONNECTED WITH THE PRODUCTS, WHETHER SUCH CLAIM IS BASED IN CONTRACT, WARRANTY, NEGLIGENCE OR STRICT LIABILITY.

Further, in no event shall liability of Omron Companies exceed the individual price of the Product on which liability is asserted.

## Application Considerations

### Suitability of Use

Omron Companies shall not be responsible for conformity with any standards, codes or regulations which apply to the combination of the Product in the Buyer's application or use of the Product. At Buyer's request, Omron will provide applicable third party certification documents identifying ratings and limitations of use which apply to the Product. This information by itself is not sufficient for a complete determination of the suitability of the Product in combination with the end product, machine, system, or other application or use. Buyer shall be solely responsible for determining appropriateness of the particular Product with respect to Buyer's application, product or system. Buyer shall take application responsibility in all cases.

NEVER USE THE PRODUCT FOR AN APPLICATION INVOLVING SERIOUS RISK TO LIFE OR PROPERTY OR IN LARGE QUANTITIES WITHOUT ENSURING THAT THE SYSTEM AS A WHOLE HAS BEEN DESIGNED TO ADDRESS THE RISKS, AND THAT THE OMRON PRODUCT(S) IS PROPERLY RATED AND INSTALLED FOR THE INTENDED USE WITHIN THE OVERALL EQUIPMENT OR SYSTEM.

### Programmable Products

Omron Companies shall not be responsible for the user's programming of a programmable Product, or any consequence thereof.

## Disclaimers

### Performance Data

Data presented in Omron Company websites, catalogs and other materials is provided as a guide for the user in determining suitability and does not constitute a warranty. It may represent the result of Omron's test conditions, and the user must correlate it to actual application requirements. Actual performance is subject to the Omron's Warranty and Limitations of Liability.

### Change in Specifications

Product specifications and accessories may be changed at any time based on improvements and other reasons. It is our practice to change part numbers when published ratings or features are changed, or when significant construction changes are made. However, some specifications of the Product may

be changed without any notice. When in doubt, special part numbers may be assigned to fix or establish key specifications for your application. Please consult with your Omron's representative at any time to confirm actual specifications of purchased Product.

## **Errors and Omissions**

---

Information presented by Omron Companies has been checked and is believed to be accurate; however, no responsibility is assumed for clerical, typographical or proofreading errors or omissions.

## **Statement of security responsibilities for assumed use cases and against threats**

OMRON SHALL NOT BE RESPONSIBLE AND/OR LIABLE FOR ANY LOSS, DAMAGE, OR EXPENSES DIRECTLY OR INDIRECTLY RESULTING FROM THE INFECTION OF OMRON PRODUCTS, ANY SOFTWARE INSTALLED THEREON OR ANY COMPUTER EQUIPMENT, COMPUTER PROGRAMS, NETWORKS, DATABASES OR OTHER PROPRIETARY MATERIAL CONNECTED THERETO BY DISTRIBUTED DENIAL OF SERVICE ATTACK, COMPUTER VIRUSES, OTHER TECHNOLOGICALLY HARMFUL MATERIAL AND/OR UNAUTHORIZED ACCESS.

It shall be the users sole responsibility to determine and use adequate measures and checkpoints to satisfy the users particular requirements for (i) antivirus protection, (ii) data input and output, (iii) maintaining a means for reconstruction of lost data, (iv) preventing Omron Products and/or software installed thereon from being infected with computer viruses and (v) protecting Omron Products from unauthorized access.

# Safety Precautions

---

Refer to the following manuals for safety precautions.

- *NX-series CPU Unit Hardware User's Manual (Cat. No. W535)*
- *NX-series NX502 CPU Unit Hardware User's Manual (Cat. No. W629)*
- *NX-series NX102 CPU Unit Hardware User's Manual (Cat. No. W593)*
- *NX-series NX1P2 CPU Unit Hardware User's Manual (Cat. No. W578)*
- *NJ-series CPU Unit Hardware User's Manual (Cat No. W500)*



# Precautions for Safe Use

---

Refer to the following manuals for precautions for safe use.

- *NX-series CPU Unit Hardware User's Manual (Cat. No. W535)*
- *NX-series NX502 CPU Unit Hardware User's Manual (Cat. No. W629)*
- *NX-series NX102 CPU Unit Hardware User's Manual (Cat. No. W593)*
- *NX-series NX1P2 CPU Unit Hardware User's Manual (Cat. No. W578)*
- *NJ-series CPU Unit Hardware User's Manual (Cat No. W500)*

# Precautions for Correct Use

---

Refer to the following manuals for precautions for correct use.

- *NX-series CPU Unit Hardware User's Manual (Cat. No. W535)*
- *NX-series NX502 CPU Unit Hardware User's Manual (Cat. No. W629)*
- *NX-series NX102 CPU Unit Hardware User's Manual (Cat. No. W593)*
- *NX-series NX1P2 CPU Unit Hardware User's Manual (Cat. No. W578)*
- *NJ-series CPU Unit Hardware User's Manual (Cat No. W500)*

# Regulations and Standards

---

Refer to the following manuals for regulations and standards.

- *NX-series CPU Unit Hardware User's Manual (Cat. No. W535)*
- *NX-series NX502 CPU Unit Hardware User's Manual (Cat. No. W629)*
- *NX-series NX102 CPU Unit Hardware User's Manual (Cat. No. W593)*
- *NX-series NX1P2 CPU Unit Hardware User's Manual (Cat. No. W578)*
- *NJ-series CPU Unit Hardware User's Manual (Cat No. W500)*

# Versions

---

Hardware revisions and unit versions are used to manage the hardware and software in NJ/NX-series Units and EtherCAT slaves. The hardware revision or unit version is updated each time there is a change in hardware or software specifications. Even when two Units or EtherCAT slaves have the same model number, they will have functional or performance differences if they have different hardware revisions or unit versions.

Refer to the following manuals for versions.

- *NX-series CPU Unit Hardware User's Manual (Cat. No. W535)*
- *NX-series NX502 CPU Unit Hardware User's Manual (Cat. No. W629)*
- *NX-series NX102 CPU Unit Hardware User's Manual (Cat. No. W593)*
- *NX-series NX1P2 CPU Unit Hardware User's Manual (Cat. No. W578)*
- *NJ-series CPU Unit Hardware User's Manual (Cat No. W500)*

## Unit Versions of CPU Units and Sysmac Studio Versions

The functions that are supported depend on the unit version of the NJ/NX-series CPU Unit. The version of Sysmac Studio that supports the functions that were added for an upgrade is also required to use those functions.

Refer to the *NJ/NX-series CPU Unit Software User's Manual (Cat. No. W501)* for the relationship between the unit versions of the CPU Units and the Sysmac Studio versions and for the functions that are supported by each unit version.

# Related Manuals

The followings are the manuals related to this manual. Use these manuals for reference.

Manual name	Cat. No.	Model numbers	Application	Description
NX-series CPU Unit Hardware User's Manual	W535	NX701-□□□□	Learning the basic specifications of the NX701 CPU Units, including introductory information, designing, installation, and maintenance. Mainly hardware information is provided.	An introduction to the entire NX701 system is provided along with the following information on the CPU Unit. <ul style="list-style-type: none"> <li>• Features and system configuration</li> <li>• Introduction</li> <li>• Part names and functions</li> <li>• General specifications</li> <li>• Installation and wiring</li> <li>• Maintenance and inspection</li> </ul>
NX-series NX502 CPU Unit Hardware User's Manual	W629	NX502-□□□□	Learning the basic specifications of the NX502 CPU Units, including introductory information, designing, installation, and maintenance. Mainly hardware information is provided.	An introduction to the entire NX502 system is provided along with the following information on the CPU Unit. <ul style="list-style-type: none"> <li>• Features and system configuration</li> <li>• Introduction</li> <li>• Part names and functions</li> <li>• General specifications</li> <li>• Installation and wiring</li> <li>• Maintenance and inspection</li> </ul>
NX-series NX102 CPU Unit Hardware User's Manual	W593	NX102-□□□□	Learning the basic specifications of the NX102 CPU Units, including introductory information, designing, installation, and maintenance. Mainly hardware information is provided.	An introduction to the entire NX102 system is provided along with the following information on the CPU Unit. <ul style="list-style-type: none"> <li>• Features and system configuration</li> <li>• Introduction</li> <li>• Part names and functions</li> <li>• General specifications</li> <li>• Installation and wiring</li> <li>• Maintenance and inspection</li> </ul>
NX-series NX1P2 CPU Unit Hardware User's Manual	W578	NX1P2-□□□□	Learning the basic specifications of the NX1P2 CPU Units, including introductory information, designing, installation, and maintenance. Mainly hardware information is provided.	An introduction to the entire NX1P2 system is provided along with the following information on the CPU Unit. <ul style="list-style-type: none"> <li>• Features and system configuration</li> <li>• Introduction</li> <li>• Part names and functions</li> <li>• General specifications</li> <li>• Installation and wiring</li> <li>• Maintenance and inspection</li> </ul>
NJ-series CPU Unit Hardware User's Manual	W500	NJ501-□□□□ NJ301-□□□□ NJ101-□□□□	Learning the basic specifications of the NJ-series CPU Units, including introductory information, designing, installation, and maintenance. Mainly hardware information is provided.	An introduction to the entire NJ-series system is provided along with the following information on the CPU Unit. <ul style="list-style-type: none"> <li>• Features and system configuration</li> <li>• Introduction</li> <li>• Part names and functions</li> <li>• General specifications</li> <li>• Installation and wiring</li> <li>• Maintenance and inspection</li> </ul>

Manual name	Cat. No.	Model numbers	Application	Description
NJ/NX-series CPU Unit Software User's Manual	W501	NX701-□□□□ NX502-□□□□ NX102-□□□□ NX1P2-□□□□ NJ501-□□□□ NJ301-□□□□ NJ101-□□□□	Learning how to program and set up an NJ/NX-series CPU Unit. Mainly software information is provided.	The following information is provided on a Controller built with an NJ/NX-series CPU Unit. <ul style="list-style-type: none"> <li>• CPU Unit operation</li> <li>• CPU Unit features</li> <li>• Initial settings</li> <li>• Programming based on IEC 61131-3 language specifications</li> </ul>
NX-series NX1P2 CPU Unit Built-in I/O and Option Board User's Manual	W579	NX1P2-□□□□	Learning about the details of functions only for an NX-series NX1P2 CPU Unit and an introduction of functions for an NJ/NX-series CPU Unit.	Of the functions for an NX1P2 CPU Unit, the following information is provided. <ul style="list-style-type: none"> <li>• Built-in I/O</li> <li>• Serial Communications Option Boards</li> <li>• Analog I/O Option Boards</li> </ul> An introduction of following functions for an NJ/NX-series CPU Unit is also provided. <ul style="list-style-type: none"> <li>• Motion control functions</li> <li>• EtherNet/IP communications functions</li> <li>• EtherCAT communications functions</li> </ul>
NJ/NX-series Instructions Reference Manual	W502	NX701-□□□□ NX502-□□□□ NX102-□□□□ NX1P2-□□□□ NJ501-□□□□ NJ301-□□□□ NJ101-□□□□	Learning detailed specifications on the basic instructions of an NJ/NX-series CPU Unit.	The instructions in the instruction set (IEC 61131-3 specifications) are described.
NJ/NX-series CPU Unit Motion Control User's Manual	W507	NX701-□□□□ NX502-□□□□ NX102-□□□□ NX1P2-□□□□ NJ501-□□□□ NJ301-□□□□ NJ101-□□□□	Learning about motion control settings and programming concepts.	The settings and operation of the CPU Unit and programming concepts for motion control are described.
NJ/NX-series Motion Control Instructions Reference Manual	W508	NX701-□□□□ NX502-□□□□ NX102-□□□□ NX1P2-□□□□ NJ501-□□□□ NJ301-□□□□ NJ101-□□□□	Learning about the specifications of the motion control instructions.	The motion control instructions are described.
NJ/NX-series CPU Unit Built-in EtherCAT® Port User's Manual	W505	NX701-□□□□ NX502-□□□□ NX102-□□□□ NX1P2-□□□□ NJ501-□□□□ NJ301-□□□□ NJ101-□□□□	Using the built-in EtherCAT port on an NJ/NX-series CPU Unit.	Information on the built-in EtherCAT port is provided. This manual provides an introduction and provides information on the configuration, features, and setup.
NJ/NX-series CPU Unit Built-in EtherNet/IP™ Port User's Manual	W506	NX701-□□□□ NX502-□□□□ NX102-□□□□ NX1P2-□□□□ NJ501-□□□□ NJ301-□□□□ NJ101-□□□□	Using the built-in EtherNet/IP port on an NJ/NX-series CPU Unit.	Information on the built-in EtherNet/IP port is provided. Information is provided on the basic setup, tag data links, and other features.
NJ/NX-series CPU Unit OPC UA User's Manual	W588	NX701-□□□□ NX502-□□□□ NX102-□□□□ NJ501-1□00	Using the OPC UA.	Describes the OPC UA.

Manual name	Cat. No.	Model numbers	Application	Description
NX-series CPU Unit FINS Function User's Manual	W596	NX701-□□20 NX502-□□□□ NX102-□□□□	Using the FINS func- tion of an NX-series CPU Unit.	Describes the FINS function of an NX-ser- ies CPU Unit.
NJ/NX-series Database Connection CPU Units User's Manual	W527	NX701-□□20 NX502-□□□□ NX102-□□20 NJ501-□□20 NJ101-□□20	Using the database connection service with NJ/NX-series Controllers.	Describes the database connection service.
NJ-series SECS/GEM CPU Units User's Manual	W528	NJ501-1340	Using the GEM Serv- ices with NJ-series Controllers.	Provides information on the GEM Services.
NJ-series Robot Integrated CPU Unit User's Manual	O037	NJ501-R□□□	Using the NJ-series Robot Integrated CPU Unit.	Describes the settings and operation of the CPU Unit and programming concepts for OMRON robot control.
Sysmac Studio Robot Integrated System Building Function with Robot Integrated CPU Unit Opera- tion Manual	W595	SYSMAC-SE2□□ □ SYSMAC- SE200D-64	Learning about the operating procedures and functions of the Sysmac Studio to configure Robot Inte- grated System using Robot Integrated CPU Unit.	Describes the operating procedures of the Sysmac Studio for Robot Integrated CPU Unit.
Sysmac Studio Robot Integrated System Building Function with IPC Application Controller Opera- tion Manual	W621	SYSMAC-SE2□□ □ SYSMAC- SE200D-64	Learning about the operating procedures and functions of the Sysmac Studio to configure Robot Inte- grated System using IPC Application Con- troller.	Describes the operating procedures of the Sysmac Studio for IPC Application Con- troller.
Sysmac Studio 3D Simulation Function Opera- tion Manual	W618	SYSMAC-SE2□□ □ SYSMAC-SA4□□ □-64	Learning about an outline of the 3D sim- ulation function of the Sysmac Studio and how to use the func- tion.	Describes an outline, execution procedures, and operating procedures for the 3D simu- lation function of the Sysmac Studio.
NJ-series NJ Robotics CPU Unit User's Manual	W539	NJ501-4□□□ NJ501-R□□□	Controlling robots with NJ-series CPU Units.	Describes the functionality to control robots.
NJ/NY-series NC Integrated Controller User's Manual	O030	NJ501-5300 NY532-5400	Performing numerical control with NJ/NY- series Controllers.	Describes the functionality to perform the numerical control.
NJ/NY-series G code Instructions Reference Man- ual	O031	NJ501-5300 NY532-5400	Learning about the specifications of the G code/M code in- structions.	The G code/M code instructions are descri- bed.
NJ/NX-series Troubleshooting Manual	W503	NX701-□□□□ NX502-□□□□ NX102-□□□□ NX1P2-□□□□ NJ501-□□□□ NJ301-□□□□ NJ101-□□□□	Learning about the errors that may be detected in an NJ/NX-series Con- troller.	Concepts on managing errors that may be detected in an NJ/NX-series Controller and information on individual errors are descri- bed.
Sysmac Studio Version 1 Operation Manual	W504	SYSMAC -SE2□□□	Learning about the operating procedures and functions of the Sysmac Studio.	Describes the operating procedures of the Sysmac Studio.

Manual name	Cat. No.	Model numbers	Application	Description
CNC Operator Operation Manual	O032	SYSMAC-RTNC0□□□□	Learning an introduction of the CNC Operator and how to use it.	An introduction of the CNC Operator, installation procedures, basic operations, connection operations, and operating procedures for main functions are described.
NX-series EtherCAT® Coupler Unit User's Manual	W519	NX-ECC□□□□	Learning how to use the NX-series EtherCAT Coupler Unit and EtherCAT Slave Terminals.	The following items are described: the overall system and configuration methods of an EtherCAT Slave Terminal (which consists of an NX-series EtherCAT Coupler Unit and NX Units), and information on hardware, setup, and functions to set up, control, and monitor NX Units through EtherCAT.
NX-series Data Reference Manual	W525	NX-□□□□□□	Referencing lists of the data that is required to configure systems with NX-series Units.	Lists of the power consumptions, weights, and other NX Unit data that is required to configure systems with NX-series Units are provided.
NX-series NX Units User's Manual	W521	NX-ID□□□□ NX-IA□□□□ NX-OC□□□□ NX-OD□□□□ NX-MD□□□□	Learning how to use NX Units.	Describes the hardware, setup methods, and functions of the NX Units. Manuals are available for the following Units. Digital I/O Units, Analog I/O Units, System Units, Position Interface Units, Communications Interface Units, Load Cell Input Unit, and IO-Link Master Units.
	W522	NX-AD□□□□ NX-DA□□□□		
	W592	NX-HAD□□□□		
	W566	NX-TS□□□□ NX-HB□□□□		
	W523	NX-PD1□□□□ NX-PF0□□□□ NX-PC0□□□□ NX-TBX01		
	W524	NX-EC0□□□□ NX-ECS□□□□ NX-PG0□□□□		
	W540	NX-CIF□□□□		
	W565	NX-RS□□□□		
	W567	NX-ILM□□□□		
	CJ-series Special Unit Manuals For NJ-series CPU Unit	W490		
W491		CJ1W-TC□□□□		
W492		CJ1W-CT021		
W498		CJ1W-PDC15 CJ1W-PH41U CJ1W-AD04U		
W493		CJ1W-CRM21		
W494		CJ1W-SCU□□□□		
W495		CJ1W-EIP21 CJ1W-EIP21S		
W497		CJ1W-DRM21		
CX-Protocol Operation Manual	W344	---	Creating data transfer protocols for general-purpose devices connected to CJ-series Serial Communications Units.	Describes operating procedures for the CX-Protocol.



Manual name	Cat. No.	Model numbers	Application	Description
GX-series EtherCAT Slave Units User's Manual	W488	GX-ID□□□□ GX-OD□□□□ GX-OC□□□□ GX-MD□□□□ GX-AD□□□□ GX-DA□□□□ GX-EC□□□□ XWT-ID□□ XWT-OD□□	Learning how to use the EtherCAT remote I/O terminals.	Describes the hardware, setup methods and functions of the EtherCAT remote I/O terminals.
AC Servomotors/Servo Drives 1S-series with Built-in EtherCAT® Communications User's Manual	I586 I621	R88M-1□ R88D-1SN□-ECT  R88M-1AL□/-1AM□ R88D-1SAN□-ECT	Learning how to use the Servomotors/Servo Drives with built-in EtherCAT Communications.	Describes the hardware, setup methods and functions of the Servomotors/Servo Drives with built-in EtherCAT Communications.
AC Servomotors/Servo Drives G5 Series with Built-in EtherCAT® Communications User's Manual	I576 I577	R88M-K□ R88D-KN□-ECT  R88L-EC-□ R88D-KN□-ECT-L	Learning how to use the AC Servomotors/Servo Drives with built-in EtherCAT Communications.	Describes the hardware, setup methods and functions of the AC Servomotors/Servo Drives with built-in EtherCAT Communications.  The Linear Motor Type models and dedicated models for position control are available in G5-series.

# Revision History

A manual revision code appears as a suffix to the catalog number on the front and back covers of the manual.



Revision code	Date	Revised content
01	July 2011	Original production
02	September 2011	Corrected mistakes.
03	March 2012	<ul style="list-style-type: none"> <li>• Made changes accompanying release of unit version 1.01 of the CPU Unit and version 1.02 of the Sysmac Studio.</li> <li>• Corrected mistakes.</li> </ul>
04	May 2012	<ul style="list-style-type: none"> <li>• Made changes accompanying release of unit version 1.02 of the CPU Unit and version 1.03 of the Sysmac Studio.</li> <li>• Corrected mistakes.</li> </ul>
05	August 2012	<ul style="list-style-type: none"> <li>• Made changes accompanying release of unit version 1.03 of the CPU Unit and version 1.04 of the Sysmac Studio.</li> <li>• Corrected mistakes.</li> </ul>
06	February 2013	<ul style="list-style-type: none"> <li>• Made changes accompanying release of unit version 1.04 of the CPU Unit and version 1.05 of the Sysmac Studio.</li> <li>• Corrected mistakes.</li> </ul>
07	April 2013	<ul style="list-style-type: none"> <li>• Made changes accompanying release of unit version 1.05 of the CPU Unit and version 1.06 of the Sysmac Studio.</li> <li>• Corrected mistakes.</li> </ul>
08	June 2013	<ul style="list-style-type: none"> <li>• Made changes accompanying release of unit version 1.06 of the CPU Unit and version 1.07 of the Sysmac Studio.</li> <li>• Corrected mistakes.</li> </ul>
09	September 2013	<ul style="list-style-type: none"> <li>• Made changes accompanying release of unit version 1.07 of the CPU Unit and version 1.08 of the Sysmac Studio.</li> <li>• Corrected mistakes.</li> </ul>
10	December 2013	<ul style="list-style-type: none"> <li>• Made changes accompanying release of unit version 1.08 of the CPU Unit and version 1.09 of the Sysmac Studio.</li> <li>• Corrected mistakes.</li> </ul>
11	July 2014	<ul style="list-style-type: none"> <li>• Made changes accompanying release of unit version 1.09 of the CPU Unit and version 1.10 of the Sysmac Studio.</li> <li>• Corrected mistakes.</li> </ul>
12	January 2015	<ul style="list-style-type: none"> <li>• Made changes accompanying release of unit version 1.10 of the CPU Unit and version 1.12 of the Sysmac Studio.</li> <li>• Corrected mistakes.</li> </ul>
13	April 2015	<ul style="list-style-type: none"> <li>• Made changes accompanying the addition of NX-series NX701-□□□□ CPU Units and the release of version 1.13 of the Sysmac Studio.</li> <li>• Added information on the NJ101-□□□□ NJ-series CPU Units.</li> <li>• Corrected mistakes.</li> </ul>
14	October 2015	<ul style="list-style-type: none"> <li>• Made changes accompanying the addition of hardware revision.</li> <li>• Corrected mistakes.</li> </ul>

Revision code	Date	Revised content
15	April 2016	<ul style="list-style-type: none"> <li>• Made changes accompanying release of unit version 1.11 of the CPU Unit and version 1.15 of the Sysmac Studio.</li> <li>• Corrected mistakes.</li> </ul>
16	July 2016	<ul style="list-style-type: none"> <li>• Made changes accompanying release of unit version 1.12 of the CPU Unit and version 1.16 of the Sysmac Studio.</li> <li>• Corrected mistakes.</li> </ul>
17	October 2016	<ul style="list-style-type: none"> <li>• Made changes accompanying release of unit version 1.13 of the CPU Unit and version 1.17 of the Sysmac Studio.</li> <li>• Corrected mistakes.</li> </ul>
18	November 2016	Corrected mistakes.
19	January 2017	Corrected mistakes.
20	April 2017	Corrected mistakes.
21	October 2017	<ul style="list-style-type: none"> <li>• Made changes accompanying release of unit version 1.16 of the CPU Unit.</li> <li>• Corrected mistakes.</li> </ul>
22	April 2018	<ul style="list-style-type: none"> <li>• Made changes accompanying release of unit version 1.18 of the CPU Unit and version 1.22 of the Sysmac Studio.</li> <li>• Corrected mistakes.</li> </ul>
23	April 2018	<ul style="list-style-type: none"> <li>• Made changes accompanying the addition of NX-series NX102 CPU Units.</li> <li>• Made changes accompanying the transfer of event codes to the <i>NJ/NX-series Troubleshooting Manual (Cat. No. W503)</i>.</li> <li>• Corrected mistakes.</li> </ul>
24	July 2018	Corrected mistakes.
25	January 2019	Corrected mistakes.
26	April 2019	<ul style="list-style-type: none"> <li>• Added information on the functions supported by unit version 1.32 or later of NX102 CPU Units.</li> <li>• Added information on the functions supported by unit version 1.21 or later of NX1P2 CPU Units.</li> <li>• Added information on the functions supported by unit version 1.21 or later of NJ501-1□□□, NJ301-□□□□, and NJ101-□□□□ CPU Units.</li> </ul>
27	July 2019	<ul style="list-style-type: none"> <li>• Made changes accompanying the upgrade of NX102-□□□□, NX1P2-□□□□ □□, NJ501-1□□□, NJ301-□□□□, and NJ101-□□□□ CPU Units to unit version 1.40.</li> <li>• Made changes accompanying the upgrade of NX701-□□□□, NJ501-4□□□, NJ501-4□□10, NJ501-1340 and NJ501-5300 CPU Units to unit version of 1.21.</li> </ul>
28	July 2019	Corrected mistakes.
29	October 2019	Corrected mistakes.
30	August 2020	<ul style="list-style-type: none"> <li>• Made changes accompanying the addition of NJ501-R□□□ CPU Units.</li> <li>• Corrected mistakes.</li> </ul>
31	October 2020	Corrected mistakes.
32	January 2021	Corrected mistakes.

Revision code	Date	Revised content
33	July 2021	<ul style="list-style-type: none"> <li>• Added information on the functions supported by unit version 1.24 of NX701-1□□0 CPU Units.</li> <li>• Added information on the functions supported by unit version 1.36 of the NX102-1□20 CPU Units.</li> <li>• Added information on the functions supported by unit version 1.45 of the NX1P2-□□00, NJ301-□□00, and NJ101-□□00 CPU Units.</li> <li>• Added information on the functions supported by unit version 1.25 of the NJ501-1□20, NJ501-1340, NJ501-4□□□, NJ501-5300, and NJ101-1□20 CPU Units.</li> <li>• Added information on the functions supported by unit version 1.43 of the NX102-□□00, NJ501-1-□□0, and NJ501-R□□0 CPU Units.</li> <li>• Added information on the functions supported by unit version 1.46 of the NX102-□□00 CPU Units.</li> <li>• Added information on the functions supported by unit version 1.37 of the NX102-□□20 CPU Units.</li> <li>• Added information on the functions supported by unit version 1.46 of the NX1P2-□□00 CPU Units.</li> <li>• Added information of the SD Memory Card.</li> <li>• Added information of the secure socket service instructions.</li> <li>• Corrected mistakes.</li> </ul>
34	October 2021	Corrected mistakes.
35	April 2022	Corrected mistakes.
36	April 2022	Added information to Terms and Conditions Agreement.
37	October 2022	<ul style="list-style-type: none"> <li>• Made changes accompanying the release of unit version 1.50 of the NJ-series, NX102, and NX1P2 CPU Units.</li> <li>• Corrected mistakes.</li> </ul>
38	January 2023	Made changes accompanying the release of unit version 1.32 of NX701 CPU Units.
39	April 2023	Made changes accompanying the addition of NX502-1□□□ CPU Units.
40	July 2023	Made changes accompanying release of unit version 1.63 of the CPU Unit.
41	October 2023	<ul style="list-style-type: none"> <li>• Made changes accompanying release of unit version 1.64 of the CPU Unit.</li> <li>• Corrected mistakes.</li> </ul>
42	December 2023	<ul style="list-style-type: none"> <li>• Made changes accompanying the addition of the NXR-ILM08C-ECT IO-Link Master Unit.</li> <li>• Corrected mistakes.</li> </ul>
43	January 2024	Made changes accompanying the release of unit version 1.65 of NX502 CPU Units.
44	April 2024	Corrected mistakes.
45	October 2024	Added information related to connection of CJ1W-EIP21S to the NJ-series CPU Unit.
46	October 2025	Corrected mistakes.



# Instruction Set

This section provides a table of the instructions that you can use with NJ/NX-series CPU Unit.

---

**Instruction Set ..... 1-2**

# Instruction Set

- Refer to the *NJ/NX-series Motion Control Instructions Reference Manual (Cat. No. W508)* for the specifications of the motion control instructions.
- Refer to the *Sysmac Studio Version 1 Operation Manual (Cat. No. W504)* for the specifications of the simulation instructions.

## Ladder Diagram Instructions

Instruction	Name	Function	Page
LD	Load	Reads the value of a BOOL variable.	page 2-14
LDN	Load NOT	Reads the inverted value of a BOOL variable.	page 2-14
AND	AND	Takes the logical AND of the value of a BOOL variable and the input value.	page 2-17
ANDN	AND NOT	Takes the logical AND of the inverted value of a BOOL variable and the input value.	page 2-17
OR	OR	Takes the logical OR of the value of a BOOL variable and the execution condition.	page 2-20
ORN	OR NOT	Takes the logical OR of the inverted value of a BOOL variable and the execution condition.	page 2-20
Out	Output	Takes the logical result from the previous instruction and outputs it to a BOOL variable.	page 2-23
OutNot	Output NOT	Takes the inverted value of the logical result from the previous instruction and outputs it to a BOOL variable.	page 2-23

## ST Statement Instructions

Instruction	Name	Function	Page
IF	If	Selects one of two statements to execute, based on the evaluation result of a specified condition expression.	page 2-28
CASE	Case	Selects a statement to execute, based on the value of a specified integer expression.	page 2-32
WHILE	While	Repeatedly executes a statement as long as the evaluation result of a specified condition expression is TRUE.	page 2-36
REPEAT	Repeat	Executes a statement once and then executes it repeatedly until a specified condition expression becomes TRUE.	page 2-39
EXIT	Break Loop	Ends repeat processing for the FOR, WHILE, or REPEAT instruction of the innermost loop.	page 2-42
RETURN	Return	Ends a function or function block and returns processing to the calling instruction.	page 2-45
FOR	Repeat Start	Specifies the condition for repeat processing, and repeatedly executes statements between FOR and END_FOR.	page 2-46

## Sequence Input Instructions

Instruction	Name	Function	Page
R_TRIG (Up)	Up Trigger	Outputs TRUE for one task period only when the input signal changes to TRUE.	page 2-48

Instruction	Name	Function	Page
F_TRIG (Down)	Down Trigger	Outputs TRUE for one task period only when the input signal changes to FALSE.	page 2-48
TestABit	Test A Bit	Outputs the value of the specified bit in a bit string.	page 2-52
TestABitN	Test A Bit NOT	Outputs the inverted value of the specified bit in a bit string.	page 2-52

## Sequence Output Instructions

Instruction	Name	Function	Page
RS	Reset-Priority Keep	Retains the value of a BOOL variable. It gives priority to the Reset input if both the Set input and Reset input are TRUE.	page 2-56
SR	Set-Priority Keep	Retains the value of a BOOL variable. It gives priority to the Set input if both the Set input and Reset input are TRUE.	page 2-59
Set	Set	Changes a BOOL variable to TRUE.	page 2-62
Reset	Reset	Changes a BOOL variable to FALSE.	page 2-62
SetBits	Set Bits	Changes consecutive bits in bit string data to TRUE.	page 2-66
ResetBits	Reset Bits	Changes consecutive bits in bit string data to FALSE.	page 2-66
SetABit	Set A Bit	Changes the specified bit in bit string data to TRUE.	page 2-69
ResetABit	Reset A Bit	Changes the specified bit in bit string data to FALSE.	page 2-69
OutABit	Output A Bit	Changes the specified bit in bit string data to TRUE or FALSE.	page 2-71

## Sequence Control Instructions

Instruction	Name	Function	Page
End	End	Ends execution of a program in the current task period.	page 2-74
RETURN	Return	Ends a function or function block and returns processing to the calling instruction.	page 2-75
MC	Master Control Start	Marks the starting point of a master control region and resets the master control region.	page 2-77
MCR	Master Control End	Marks the end point of a master control region.	page 2-77
JMP	Jump	Moves processing to the specified jump destination.	page 2-90
FOR	Repeat Start	Marks the starting position for repeat processing and specifies the repeat condition.	page 2-92
NEXT	Repeat End	Marks the ending position for repeat processing.	page 2-92
BREAK	Break Loop	Cancels repeat processing from the innermost FOR instruction to the NEXT instruction.	page 2-99

## Comparison Instructions

Instruction	Name	Function	Page
EQ (=)	Equal	Determines if the values of two or more variables are all equivalent.	page 2-102
NE (<>)	Not Equal	Determines if the values of two variables are not equivalent.	page 2-105
LT (<)	Less Than	Performs a less than comparison between values.	page 2-108
LE (<=)	Less Than Or Equal	Performs a less than or equal comparison between values.	page 2-108
GT (>)	Greater Than	Performs a greater than comparison between values.	page 2-108

Instruction	Name	Function	Page
GE (>=)	Greater Than Or Equal	Performs a greater than or equal comparison between values.	page 2-108
EQascii	Text String Comparison Equal	Determines if two or more text strings are all equivalent.	page 2-111
NEascii	Text String Comparison Not Equal	Determines if two text strings are not equivalent.	page 2-113
LTascii	Text String Comparison Less Than	Performs a less than comparison between text strings.	page 2-115
LEascii	Text String Comparison Less Than or Equal	Performs a less than or equal comparison between text strings.	page 2-115
GTascii	Text String Comparison Greater Than	Performs a greater than comparison between text strings.	page 2-115
GEascii	Text String Comparison Greater Than or Equal	Performs a greater than or equal comparison between text strings.	page 2-115
Cmp	Compare	Compares two values.	page 2-118
ZoneCmp	Zone Comparison	Determines if the comparison data is between the specified maximum and minimum values.	page 2-120
TableCmp	Table Comparison	Compares the comparison data with multiple defined ranges in a comparison table.	page 2-122
AryCmpEQ	Array Comparison Equal	Determines if the corresponding elements of two arrays are equal.	page 2-125
AryCmpNE	Array Comparison Not Equal	Determines if the corresponding elements of two arrays are not equal.	page 2-125
AryCmpLT	Array Comparison Less Than	Performs a less than comparison between the corresponding elements of two arrays.	page 2-127
AryCmpLE	Array Comparison Less Than Or Equal	Performs a less than or equal comparison between the corresponding elements of two arrays.	page 2-127
AryCmpGT	Array Comparison Greater Than	Performs a greater than comparison between the corresponding elements of two arrays.	page 2-127
AryCmpGE	Array Comparison Greater Than Or Equal	Performs a greater than or equal comparison between the corresponding elements of two arrays.	page 2-127
AryCmpEQV	Array Value Comparison Equal	Determines if each element of an array is equal to a comparison value.	page 2-130
AryCmpNEV	Array Value Comparison Not Equal	Determines if each element of an array is not equal to a comparison value.	page 2-130
AryCmpLTV	Array Value Comparison Less Than	Performs a less than comparison between each element of an array and a comparison value.	page 2-132
AryCmpLEV	Array Value Comparison Less Than Or Equal	Performs a less than or equal comparison between each element of an array and a comparison value.	page 2-132
AryCmpGTV	Array Value Comparison Greater Than	Performs a greater than comparison between each element of an array and a comparison value.	page 2-132
AryCmpGEV	Array Value Comparison Greater Than Or Equal	Performs a greater than or equal comparison between each element of an array and a comparison value.	page 2-132



## Timer Instructions

Instruction	Name	Function	Page
TON	On-Delay Timer	Outputs TRUE when the set time elapses after the timer starts.	page 2-136
TOF	Off-Delay Timer	Outputs FALSE when the set time elapses after the timer starts.	page 2-142
TP	Timer Pulse	Outputs TRUE for a set period of time after the timer starts.	page 2-145
AccumulationTimer	Accumulation Timer	Accumulates the period of time during which the timer input is TRUE.	page 2-148
Timer	Hundred-ms Timer	Outputs TRUE when the set time elapses after the timer starts. The time is set in increments of 100 ms.	page 2-152

## Counter Instructions

Instruction	Name	Function	Page
CTD	Down-counter	Decrements the counter value when the counter input signal is received. The preset value and counter value must have an INT data type.	page 2-156
CTD_**	Down-counter Group	Decrements the counter value when the counter input signal is received. The preset value and counter value must be one of the following data types: DINT, LINT, UDINT, or ULINT.	page 2-158
CTU	Up-counter	Increments the counter value when the counter input signal is received. The preset value and counter value must have an INT data type.	page 2-161
CTU_**	Up-counter Group	Increments the counter value when the counter input signal is received. The preset value and counter value must be one of the following data types: DINT, LINT, UDINT, or ULINT.	page 2-164
CTUD	Up-down Counter	Creates an up-down counter that operates according to an up-counter input and a down-counter input. The preset value and counter value must have an INT data type.	page 2-167
CTUD_**	Up-down Counter Group	Creates an up-down counter that operates according to an up-counter input and a down-counter input. The preset value and counter value must be one of the following data types: DINT, LINT, UDINT, or ULINT.	page 2-172

## Math Instructions

Instruction	Name	Function	Page
ADD (+)	Addition	Adds integers and real numbers. Also joins text strings.	page 2-179
AddOU (+OU)	Addition with Overflow Check	Adds integers and real numbers. Also performs an overflow check for the integer addition result.	page 2-183
SUB (-)	Subtraction	Subtracts integers and real numbers.	page 2-187
SubOU (-OU)	Subtraction with Overflow Check	Subtracts integers and real numbers. Also performs an overflow check for the integer subtraction result.	page 2-190
MUL (*)	Multiplication	Multiplies integers and real numbers.	page 2-194
MulOU (*OU)	Multiplication with Overflow Check	Multiplies integers and real numbers, and outputs the result. Also performs an overflow check for the integer multiplication result.	page 2-198

Instruction	Name	Function	Page
DIV (/)	Division	Divides integers or real numbers.	page 2-202
MOD	Modulo-division	Finds the remainder for division of integers.	page 2-205
ABS	Absolute value	Finds the absolute value of an integer or real number.	page 2-207
RadToDeg	Radians to Degrees	Converts a real number from radians (rad) to degrees (°).	page 2-209
DegToRad	Degrees to Radians	Converts a real number from degrees (°) to radians (rad).	page 2-209
SIN	Sine in Radians	Calculates the sine of a real number.	page 2-211
COS	Cosine in Radians	Calculates the cosine of a real number.	page 2-211
TAN	Tangent in Radians	Calculates the tangent of a real number.	page 2-211
ASIN	Principal Arc Sine (SIN <sup>-1</sup> )	Calculates the arcsine of a real number (sin <sup>-1</sup> ).	page 2-214
ACOS	Principal Arc Cosine (COS <sup>-1</sup> )	Calculates the arccosine of a real number (cos <sup>-1</sup> ).	page 2-214
ATAN	Principal Arc Tangent (TAN <sup>-1</sup> )	Calculates the arctangent of a real number (tan <sup>-1</sup> ).	page 2-214
SQRT	Square Root	Calculates the square root of a real number.	page 2-217
LN	Natural Logarithm	Calculates the natural logarithm of a real number.	page 2-220
LOG	Logarithm Base 10	Calculates the base-10 logarithm of a real number.	page 2-220
EXP	Natural Exponential Operation	Performs calculations for the natural exponential function.	page 2-224
EXPT (**)	Exponentiation	Raises one real number to the power of another real number.	page 2-226
Inc	Increment	Increments an integer value.	page 2-232
Dec	Decrement	Decrements an integer value.	page 2-232
Rand	Random Number	Generates pseudorandom numbers.	page 2-234
AryAdd	Array Addition	Adds corresponding elements of two arrays.	page 2-236
AryAddV	Array Value Addition	Adds the same value to specified elements of an array.	page 2-238
ArySub	Array Subtraction	Subtracts corresponding elements of two arrays.	page 2-240
ArySubV	Array Value Subtraction	Subtracts the same value from specified elements of an array.	page 2-242
AryMean	Array Mean	Calculates the average of the elements of an array.	page 2-244
ArySD	Array Element Standard Deviation	Calculates standard deviation of the elements of an array.	page 2-246
ModReal	Real Number Modulo-division	Calculates the remainder of real number division.	page 2-248
Fraction	Real Number Fraction	Finds the fractional part of a real number.	page 2-250
CheckReal	Real Number Check	Checks a real number to see if it is infinity or nonnumeric data.	page 2-252

## BCD Conversion Instructions

Instruction	Name	Function	Page
**_BCD_TO_***	BCD-to-Unsigned Integer Conversion Group	Converts BCD bit strings into unsigned integers.	page 2-256
**_TO_BCD_***	Unsigned Integer-to-BCD Conversion Group	Converts unsigned integers to BCD bit strings.	page 2-259

Instruction	Name	Function	Page
BCD_TO_**	BCD Data Type-to-Unsigned Integer Conversion Group	Converts BCD bit strings into unsigned integers.	page 2-262
BCDsToBin	Signed BCD-to-Signed Integer Conversion	Converts signed BCD bit strings to signed integers.	page 2-265
BinToBCDs_**	Signed Integer-to-BCD Conversion Group	Converts signed integers to signed BCD bit strings.	page 2-268
AryToBCD	Array BCD Conversion	Converts the elements of an unsigned integer array to BCD bit strings.	page 2-271
AryToBin	Array Unsigned Integer Conversion	Converts the elements of an array of BCD bit strings into unsigned integers.	page 2-273

## Data Type Conversion Instructions

Instruction	Name	Function	Page
**_TO_*** (Integer-to-Integer Conversion Group)	Integer-to-Integer Conversion Group	Converts integers to integers with different data types.	page 2-277
**_TO_*** (Integer-to-Bit String Conversion Group)	Integer-to-Bit String Conversion Group	Converts integers to bit strings.	page 2-280
**_TO_*** (Integer-to-Real Number Conversion Group)	Integer-to-Real Number Conversion Group	Converts integers to real numbers.	page 2-283
**_TO_*** (Bit String-to-Integer Conversion Group)	Bit String-to-Integer Conversion Group	Converts bit strings to integers.	page 2-286
**_TO_*** (Bit String-to-Bit String Conversion Group)	Bit String-to-Bit String Conversion Group	Converts bit strings to bit strings with different data types.	page 2-289
**_TO_*** (Bit String-to-Real Number Conversion Group)	Bit String-to-Real Number Conversion Group	Converts bit strings to real numbers.	page 2-291
**_TO_*** (Real Number-to-Integer Conversion Group)	Real Number-to-Integer Conversion Group	Converts real numbers to integers.	page 2-293
**_TO_*** (Real Number-to-Bit String Conversion Group)	Real Number-to-Bit String Conversion Group	Converts real numbers to bit strings.	page 2-296
**_TO_*** (Real Number-to-Real Number Conversion Group)	Real Number-to-Real Number Conversion Group	Converts real numbers to real numbers with different data types.	page 2-299
**_TO_STRING (Integer-to-Text String Conversion Group)	Integer-to-Text String Conversion Group	Converts integers to text strings.	page 2-301

Instruction	Name	Function	Page
**_TO_STRING (Bit String-to-Text String Conversion Group)	Bit String-to-Text String Conversion Group	Converts bit strings to text strings.	page 2-303
**_TO_STRING (Real Number-to-Text String Conversion Group)	Real Number-to-Text String Conversion Group	Converts real numbers to text strings.	page 2-305
RealToFormatString	REAL-to-Formatted Text String	Converts a REAL variable to a text string with the specified format.	page 2-307
LrealToFormatString	LREAL-to-Formatted Text String	Converts a LREAL variable to a text string with the specified format.	page 2-313
STRING_TO_** (Text String-to-Integer Conversion Group)	Text String-to-Integer Conversion Group	Converts text strings to integers.	page 2-319
STRING_TO_** (Text String-to-Bit String Conversion Group)	Text String-to-Bit String Conversion Group	Converts text strings to bit strings.	page 2-321
STRING_TO_** (Text String-to-Real Number Conversion Group)	Text String-to-Real Number Conversion Group	Converts text strings to real numbers.	page 2-323
TO_** (Integer Conversion Group)	Integer Conversion Group	Converts integers, bit strings, real numbers, and text strings to integers.	page 2-327
TO_** (Bit String Conversion Group)	Bit String Conversion Group	Converts integers, bit strings, real numbers, and text strings to bit strings.	page 2-329
TO_** (Real Number Conversion Group)	Real Number Conversion Group	Converts integers, bit strings, real numbers, and text strings to real numbers.	page 2-331
EnumToNum	Enumeration-to-Integer	Converts enumeration data to DINT data.	page 2-333
NumToEnum	Integer-to-Enumeration	Converts DINT data to enumeration data.	page 2-335
TRUNC	Truncate	Truncates a real number to an integer.	page 2-338
Round	Round Off Real Number	Rounds up or down a real number to the nearest integer, depending on the first decimal digit.	page 2-338
RoundUp	Round Up Real Number	Rounds up a real number to the nearest integer.	page 2-338

## Bit String Processing Instructions

Instruction	Name	Function	Page
AND (&)	Logical AND	Performs a logical AND operation on each corresponding bit of multiple Boolean variables or bit strings.	page 2-342
OR	Logical OR	Performs a logical OR operation on each corresponding bit of multiple Boolean variables or bit strings.	page 2-342
XOR	Logical Exclusive OR	Performs a logical exclusive OR operation on each corresponding bit of multiple Boolean variables or bit strings.	page 2-342
XORN	Logical Exclusive NOR	Performs a logical exclusive NOR operation on each corresponding bit of multiple Boolean variables or bit strings.	page 2-345
NOT	Bit Reversal	Inverts each bit of a Boolean variable or bit string.	page 2-347

Instruction	Name	Function	Page
AryAnd	Array Logical AND	Performs a logical AND operation on individual bits of each corresponding Boolean or bit-string element in two arrays.	page 2-349
AryOr	Array Logical OR	Performs a logical OR operation on individual bits of each corresponding Boolean or bit-string element in two arrays.	page 2-349
AryXor	Array Logical Exclusive OR	Performs a logical exclusive OR operation on individual bits of each corresponding Boolean or bit-string element in two arrays.	page 2-349
AryXorN	Array Logical Exclusive NOR	Performs a logical exclusive NOR operation on individual bits of each corresponding Boolean or bit-string element in two arrays.	page 2-349

## Selection Instructions

Instruction	Name	Function	Page
SEL	Binary Selection	Selects one of two options.	page 2-354
MUX	Multiplexer	Selects one of two to five options.	page 2-356
LIMIT	Limiter	Limits the value of an input variable between the specified minimum and maximum values.	page 2-359
Band	Deadband Control	Performs deadband control.	page 2-361
Zone	Dead Zone Control	Adds a bias value to the input value.	page 2-363
MAX	Maximum	Finds the largest of two to five values.	page 2-365
MIN	Minimum	Finds the smallest of two to five values.	page 2-365
AryMax	Array Maximum	Finds elements with the largest value in a one-dimensional array.	page 2-367
AryMin	Array Minimum	Finds elements with the smallest value in a one-dimensional array.	page 2-367
ArySearch	Array Search	Searches for the specified value in a one-dimensional array.	page 2-370

## Data Movement Instructions

Instruction	Name	Function	Page
MOVE	Move	Moves the value of a constant or variable to another variable.	page 2-374
MoveBit	Move Bit	Moves one bit in a bit string.	page 2-377
MoveDigit	Move Digit	Moves digits (4 bits per digit) in a bit string.	page 2-379
TransBits	Move Bits	Moves one or more bits in a bit string.	page 2-381
MemCopy	Memory Copy	Moves one or more array elements. The move source and move destination must have the same data type.	page 2-383
SetBlock	Block Set	Moves the value of a variable or constant to one or more array elements.	page 2-385
Exchange	Data Exchange	Exchanges the values of two variables.	page 2-387
AryExchange	Array Data Exchange	Exchanges the elements of two arrays.	page 2-389
AryMove	Array Move	Moves one or more array elements. The data types of the move source and move destination can be different.	page 2-391
Clear	Initialize	Initializes a variable.	page 2-393
Copy**ToNum (Bit String to Signed Integer)	Bit Pattern Copy (Bit String to Signed Integer) Group	Copies the content of a bit string directly to a signed integer.	page 2-395

Instruction	Name	Function	Page
Copy**To*** (Bit String to Real Number)	Bit Pattern Copy (Bit String to Real Number) Group	Copies the content of a bit string directly to a real number.	page 2-397
CopyNumTo** (Signed Integer to Bit String)	Bit Pattern Copy (Signed Integer to Bit String) Group	Copies the content of a signed integer directly to a bit string.	page 2-399
CopyNumTo** (Signed Integer to Real Number)	Bit Pattern Copy (Signed Integer to Real Number) Group	Copies the content of a signed integer directly to a real number.	page 2-401
Copy**To*** (Real Number to Bit String)	Bit Pattern Copy (Real Number to Bit String) Group	Copies the content of a real number directly to a bit string.	page 2-403
Copy**ToNum (Real Number to Signed Integer)	Bit Pattern Copy (Real Number to Signed Integer) Group	Copies the content of a real number directly to a signed integer.	page 2-405

## Shift Instructions

Instruction	Name	Function	Page
AryShiftReg	Shift Register	Shifts an array of bit strings by one bit to the left and inserts an input value to the least-significant bit.	page 2-408
AryShiftRegLR	Reversible Shift Register	Shifts an array of bit strings by one bit to the left or right and inserts an input value to the least-significant or most-significant bit.	page 2-410
ArySHL	Array N-element Left Shift	Shifts array elements by one or more elements to the left (toward the higher elements).	page 2-413
ArySHR	Array N-element Right Shift	Shifts array elements by one or more elements to the right (toward the lower elements).	page 2-413
SHL	N-bit Left Shift	Shifts a bit string by one or more bits to the left (toward the higher bits).	page 2-416
SHR	N-bit Right Shift	Shifts a bit string by one or more bits to the right (toward the lower bits).	page 2-416
NSHLC	Shift N-bits Left with Carry	Shifts an array of bit strings by one or more bits to the left (toward the higher elements), with the Carry (CY) Flag available.	page 2-419
NSHRC	Shift N-bits Right with Carry	Shifts an array of bit strings by one or more bits to the right (toward the lower elements), with the Carry (CY) Flag available.	page 2-419
ROL	Rotate N-bits Left	Rotates a bit string by one or more bits to the left (toward the higher bits).	page 2-422
ROR	Rotate N-bits Right	Rotates a bit string by one or more bits to the right (toward the lower bits).	page 2-422

## Conversion Instructions

Instruction	Name	Function	Page
Swap	Swap Bytes	Swaps the upper byte and lower byte of a 16-bit value.	page 2-427
Neg	Reverse Sign	Reverses the sign of a number.	page 2-429

Instruction	Name	Function	Page
Decoder	Bit Decoder	Sets the specified bit to TRUE and the other bits to FALSE in array elements that consist of a maximum of 256 bits.	page 2-431
Encoder	Bit Encoder	Finds the position of the highest TRUE bit in array elements that consist of a maximum of 256 bits.	page 2-434
BitCnt	Bit Counter	Counts the number of TRUE bits in a bit string.	page 2-436
ColmToLine_**	Column to Line Conversion Group	Extracts bit values from the specified position of array elements and outputs them as a bit string.	page 2-437
LineToColm	Line to Column Conversion	Takes the bits from a bit string and outputs them to the specified bit position in array elements.	page 2-439
Gray	Gray Code Conversion	Converts a gray code into an angle.	page 2-441
UTF8ToSJIS	UTF-8 to SJIS Character Code Conversion	Converts a UTF-8 text string to a SJIS BYTE array.	page 2-446
SJISToUTF8	SJIS to UTF-8 Character Code Conversion	Converts a SJIS BYTE array to a UTF-8 text string.	page 2-448
PWLApprox	Broken Line Approximation with Broken Line Data Check	Performs broken line approximations for integers or real numbers with a check of the validity of the broken line data.	page 2-450
PWLApproxNoLineChk	Broken Line Approximation without Broken Line Data Check	Performs broken line approximations for integers or real numbers without a check of the validity of the broken line data.	page 2-450
PWLLineChk	Broken Line Data Check	Checks whether broken line data to be used for the PWLApproxNoLineCheck instruction is sorted in ascending order of X-coordinate values.	page 2-456
MovingAverage	Moving Average	Calculates a moving average.	page 2-459
DispartReal	Separate Mantissa and Exponent	Separates a real number into the signed mantissa and the exponent.	page 2-466
UniteReal	Combine Real Number Mantissa and Exponent	Combines a signed mantissa and exponent to make a real number.	page 2-469
NumToDecString	Fixed-length Decimal Text String Conversion	Converts an integer to a fixed-length decimal text string.	page 2-471
NumToHexString	Fixed-length Hexadecimal Text String Conversion	Converts an integer to a fixed-length hexadecimal text string.	page 2-471
HexStringToNum_**	Hexadecimal Text String-to-Number Conversion Group	Converts a hexadecimal text string to an integer.	page 2-474
FixNumToString	Fixed-decimal Number-to-Text String Conversion	Converts a signed fixed-decimal number to a decimal text string.	page 2-476
StringToFixNum	Text String-to-Fixed-decimal Conversion	Converts a decimal text string to a signed fixed-decimal number.	page 2-478
DtToString	Date and Time-to-Text String Conversion	Converts a date and time to a text string.	page 2-481
DateToString	Date-to-Text String Conversion	Converts a date to a text string.	page 2-483

Instruction	Name	Function	Page
TodToString	Time of Day-to-Text String Conversion	Converts a time of day to a text string.	page 2-485
GrayToBin_**	Gray Code-to-Binary Code Conversion Group	Converts a gray code to a bit string.	page 2-487
BinToGray_**	Binary Code-to-Gray Code Conversion	Converts a bit string to a gray code.	page 2-487
StringToAry	Text String-to-Array Conversion	Converts a text string to a BYTE array.	page 2-490
AryToString	Array-to-Text String Conversion	Converts a BYTE array to a text string.	page 2-492
DispartDigit	Four-bit Separation	Separates a bit string into 4-bit units.	page 2-494
UniteDigit_**	Four-bit Join Group	Joins 4-bit units of data into a bit string.	page 2-496
Dispart8Bit	Byte Data Separation	Separates a bit string into individual bytes.	page 2-498
Unite8Bit_**	Byte Data Join Group	Joins bytes of data into a bit string.	page 2-500
ToAryByte	Conversion to Byte Array	Separates a variable into bytes and stores the bytes in a BYTE array.	page 2-502
AryByteTo	Conversion from Byte Array	Joins BYTE array elements and stores in a variable.	page 2-508
SizeOfAry	Get Number of Array Elements	Gets the number of elements in an array.	page 2-514
PackWord	2-byte Join	Joins two 1-byte data into a 2-byte data.	page 2-516
PackDword	4-byte Join	Joins four 1-byte data into a 4-byte data.	page 2-518
LOWER_BOUND	Get First Number of Array	Gets the first number of array dimensions.	page 2-520
UPPER_BOUND	Get Last Number of Array	Gets the last number of array dimensions.	page 2-520

## Stack and Table Instructions

Instruction	Name	Function	Page
StackPush	Push onto Stack	Stores a value into the top of a stack.	page 2-526
StackFIFO	First In First Out	Removes the bottom value from a stack.	page 2-535
StackLIFO	Last In First Out	Removes the top value from a stack.	page 2-535
StackIns	Insert into Stack	Inserts a value at a specified position in a stack.	page 2-538
StackDel	Delete from Stack	Deletes a value from a specified position in a stack.	page 2-541
RecSearch	Record Search	Searches an array of structures for elements that match the search key with the specified method.	page 2-543
RecRangeSearch	Range Record Search	Searches an array of structures for elements that match the search condition range with the specified method.	page 2-548
RecSort	Record Sort	Sorts the elements of an array of structures.	page 2-553
RecNum	Get Number of Records	Finds the number of records in an array of structures to the end data.	page 2-559
RecMax	Maximum Record Search	Searches an array of structures for the maximum value of a specified member.	page 2-562
RecMin	Minimum Record Search	Searches an array of structures for the minimum value of a specified member.	page 2-562



## FCS Instructions

Instruction	Name	Function	Page
StringSum	Checksum Calculation	Calculates the checksum for a text string.	page 2-568
StringLRC	Calculate Text String LRC	Calculates the LRC value (horizontal parity).	page 2-570
StringCRCCITT	Calculate Text String CRC-CCITT	Calculates the CRC-CCITT value using the XMODEM method.	page 2-572
StringCRC16	Calculate Text String CRC-16	Calculates the CRC-16 value using the MODBUS method.	page 2-574
AryLRC_**	Calculate Array LRC Group	Calculates the LRC value for an array.	page 2-576
AryCRCCITT	Calculate Array CRC-CCITT	Calculates the CRC-CCITT value using the XMODEM method.	page 2-578
AryCRC16	Calculate Array CRC-16	Calculates the CRC-16 value using the MODBUS method.	page 2-580

## Text String Instructions

Instruction	Name	Function	Page
CONCAT	Concatenate String	Joins two to five text strings.	page 2-584
LEFT	Get String Left	Extracts a substring with a specified number of characters from the start (left) of a text string.	page 2-586
RIGHT	Get String Right	Extracts a substring with a specified number of characters from the end (right) of a text string.	page 2-586
MID	Get String Any	Extracts a substring with a specified number of characters from a specified position of a text string.	page 2-589
FIND	Find String	Searches for the position of a specified substring in a text string.	page 2-591
LEN	String Length	Finds the number of characters in a text string.	page 2-593
REPLACE	Replace String	Replaces part of a text string with another text string.	page 2-595
DELETE	Delete String	Deletes all or part of a text string.	page 2-597
INSERT	Insert String	Inserts a text string into another text string.	page 2-599
GetByteLen	Get Byte Length	Counts the number of bytes in a text string.	page 2-601
ClearString	Clear String	Clears a text string.	page 2-603
ToUCase	Convert to Uppercase	Converts all single-byte letters in a text string to uppercase.	page 2-605
ToLCase	Convert to Lowercase	Converts all single-byte letters in a text string to lowercase.	page 2-605
TrimL	Trim String Left	Removes blank space from the beginning of a text string.	page 2-607
TrimR	Trim String Right	Removes blank space from the end of a text string.	page 2-607
AddDelimiter	Put Text Strings with Delimiters	Converts the values of all the members in a structure into a text string with delimiters.	page 2-609
SubDelimiter	Get Text Strings Minus Delimiters	Reads out delimited part of a text string and stores as the value of the members of a structure.	page 2-621
StringMD5	Convert String to MD5	Converts a text string to the MD5 hash value.	page 2-633

## Time and Time of Day Instructions

Instruction	Name	Function	Page
ADD_TIME	Add Time	Adds two times.	page 2-637
ADD_TOD_TIME	Add Time to Time of Day	Adds a time to a time of day.	page 2-639
ADD_DT_TIME	Add Time to Date and Time	Adds a time to a date and time.	page 2-641
SUB_TIME	Subtract Time	Subtracts a time from another time.	page 2-643
SUB_TOD_TIME	Subtract Time from Time of Day	Subtracts a time from a time of day.	page 2-645
SUB_TOD_TOD	Subtract Time of Day	Subtracts a time of day from another time of day.	page 2-647
SUB_DATE_DATE	Subtract Date	Subtracts a date from another date.	page 2-649
SUB_DT_DT	Subtract Date and Time	Subtracts a date and time from another date and time.	page 2-650
SUB_DT_TIME	Subtract Time from Date and Time	Subtracts a time from a date and time.	page 2-652
MULTIME	Multiply Time	Multiplies a time by a specified number.	page 2-654
DIVTIME	Divide Time	Divides a time by a specified number.	page 2-656
CON-CAT_DATE_TOD	Concatenate Date and Time of Day	Combines a date and a time of day.	page 2-658
DT_TO_TOD	Extract Time of Day from Date and Time	Extracts the time of day from a date and time.	page 2-660
DT_TO_DATE	Extract Date from Date and Time	Extracts the date from a date and time.	page 2-662
SetTime	Set Time	Sets the system time.	page 2-664
GetTime	Get Time of Day	Reads the current time.	page 2-666
DtToSec	Convert Date and Time to Seconds	Converts a date and time to the number of seconds from 00:00:00 on January 1, 1970.	page 2-668
DateToSec	Convert Date to Seconds	Converts a date to the number of seconds from 00:00:00 on January 1, 1970.	page 2-670
TodToSec	Convert Time of Day to Seconds	Converts a time of day to the number of seconds from 00:00:00.	page 2-672
SecToDt	Convert Seconds to Date and Time	Converts the number of seconds from 00:00:00 on January 1, 1970 to a date and time.	page 2-674
SecToDate	Convert Seconds to Date	Converts the number of seconds from 00:00:00 on January 1, 1970 to a date.	page 2-676
SecToTod	Convert Seconds to Time of Day	Converts the number of seconds from 00:00:00 to a time of day.	page 2-678
TimeToNanoSec	Convert Time to Nanoseconds	Converts a time to nanoseconds.	page 2-680
TimeToSec	Convert Time to Seconds	Converts a time to seconds.	page 2-681
NanoSecToTime	Convert Nanoseconds to Time	Converts nanoseconds to a time.	page 2-683
SecToTime	Convert Seconds to Time	Converts seconds to a time.	page 2-684
ChkLeapYear	Check for Leap Year	Checks if a specified year is a leap year.	page 2-686
GetDaysOfMonth	Get Days in Month	Gets the number of days in a specified month.	page 2-687

Instruction	Name	Function	Page
DaysToMonth	Convert Days to Month	Calculates the month based on the number of days from January 1.	page 2-690
GetDayOfWeek	Get Day of Week	Gets the day of the week for a specified date (year, month, and day).	page 2-692
GetWeekOfYear	Get Week Number	Gets the week number for a specified date (year, month, and day).	page 2-694
DtToDateStruct	Break Down Date and Time	Converts a date and time to the year, month, day, hour, minutes, seconds, and nanoseconds.	page 2-696
DateStructToDt	Join Time	Joins a year, month, day, hour, minutes, seconds, and nanoseconds into a date and time.	page 2-699
TruncTime	Truncate Time	Truncates a TIME variable to a specified time unit.	page 2-702
TruncDt	Truncate Date and Time	Truncates a DT variable to a specified time unit.	page 2-706
TruncTod	Truncate Time of Day	Truncates a TOD variable to a specified time unit.	page 2-710

## Analog Control Instructions

Instruction	Name	Function	Page
PIDAT	PID Control with Autotuning	Performs PID control with autotuning (2-PID control with set point filter).	page 2-716
PIDAT_HeatCool	Heating/Cooling PID with Autotuning	Performs heating/cooling PID control with autotuning (2-PID control with set point filter).	page 2-747
TimeProportionalOut	Time-proportional output	Converts a manipulated variable to a time-proportional output.	page 2-785
LimitAlarm_**	Upper/Lower Limit Alarm Group	Outputs an alarm if the input value is below the lower limit set value or above the upper limit set value.	page 2-805
LimitAlarmDv_**	Upper/Lower Deviation Alarm Group	Outputs an alarm if the deviation in the input value from the reference value exceeds the lower deviation set value or the upper deviation set value.	page 2-810
LimitAlarmDvStby-Seq_**	Upper/Lower Deviation Alarm with Standby Sequence Group	Outputs upper and lower deviation alarms with a standby sequence.	page 2-815
ScaleTrans	Scale Transformation	Converts input values from an input range to an output range.	page 2-833
AC_StepProgram	Step Program	Calculates the present set point and the predicted set point every task period according to the specified program pattern.	page 2-836

## System Control Instructions

Instruction	Name	Function	Page
TraceSamp	Data Trace Sampling	Performs sampling for a data trace.	page 2-865
TraceTrig	Data Trace Trigger	Generates a trigger for data tracing.	page 2-869
GetTraceStatus	Read Data Trace Status	Reads the execution status of a data trace.	page 2-872
SetAlarm	Create User-defined Error	Creates a user-defined error.	page 2-875

Instruction	Name	Function	Page
ResetAlarm	Reset User-defined Error	Resets a user-defined error.	page 2-880
GetAlarm	Get User-defined Error Status	Gets the highest event level (of user-defined error levels 1 to 8) and the highest level event code of the current user-defined errors.	page 2-882
ResetPLCError	Reset PLC Controller Error	Resets errors in the PLC Function Module.	page 2-884
GetPLCError	Get PLC Controller Error Status	Gets the highest level status (partial fault or minor fault) and highest level event code of the current Controller errors in the PLC Function Module.	page 2-888
ResetCJBError	Reset CJ Bus Controller Error	Resets Controller errors in the I/O bus.	page 2-890
GetCJBError	Get I/O Bus Error Status	Gets the highest level status and highest level event code of the current Controller errors in the I/O bus of the NJ-series CPU Unit.	page 2-892
GetEIPErr	Get EtherNet/IP Error Status	Gets the highest level status (partial fault or minor fault) and highest level event code of the current Controller errors in the EtherNet/IP Function Module.	page 2-894
ResetMCErr	Reset Motion Control Error	Resets Controller errors in the Motion Control Function Module.	page 2-896
GetMCErr	Get Motion Control Error Status	Gets the highest level status (partial fault or minor fault) and highest level event code of the current Controller errors in the Motion Control Function Module.	page 2-902
ResetECErr	Reset EtherCAT Error	Resets Controller errors in the EtherCAT Master Function Module.	page 2-904
GetECErr	Get EtherCAT Error Status	Detects errors in the EtherCAT Master Function Module.	page 2-906
ResetNXBErr	Reset NX Bus Error	Resets Controller errors in the NX Bus Function Module.	page 2-909
GetNXBErr	Get NX Bus Error Status	Gets the highest level status of the current Controller errors in the NX Bus Function Module of the NX-series CPU Unit.	page 2-911
GetNXUnitErr	Get NX Unit Error Status	Gets the highest level status and highest level event code of the current Controller errors in the NX Bus Function Module of the NX-series CPU Unit or NX Units.	page 2-913
ResetXBUnitErr	Reset X Bus Unit Error	Resets Controller errors in the X Bus Function Module of the CPU Unit or in the Unit on the X Bus.	page 2-920
GetXBError	Get X Bus Error Status	Gets the highest level status of the Controller errors in the X Bus Function Module of the CPU Unit and in the X Bus Unit.	page 2-922
GetXBUnitErr	Get X Bus Unit Error Status	Gets the highest level status and highest level event code of the current Controller errors in the X Bus Function Module of the CPU Unit or in the Unit on the X Bus.	page 2-924
SetInfo	Create User-defined Information	Creates user-defined information.	page 2-927
ResetUnit	Restart Unit	Restarts a CPU Bus Unit or Special I/O Unit.	page 2-929
GetNTPStatus	Read NTP Status	Reads the NTP status.	page 2-934
RestartNXUnit	Restart NX Unit	Restarts an EtherCAT Coupler Unit or NX Units.	page 2-936
NX_ChangeWrite-Mode	Change to NX Unit Write Mode	Changes an EtherCAT Coupler Unit or NX Unit to a mode that allows writing data.	page 2-942
NX_SaveParam	Save NX Unit Parameters	Saves the data that was written to an EtherCAT Coupler Unit or NX Unit.	page 2-948
PLC_ReadTotalPowerOnTime	Read PLC Total Power ON Time	Reads the total power ON time from a specified CPU Unit.	page 2-954

Instruction	Name	Function	Page
NX_ReadTotalPowerOnTime	Read NX Unit Total Power ON Time	Reads the total power ON time from a Communications Coupler Unit or NX Unit.	page 2-957
XBUnit_ReadTotalPowerOnTime	Read X Bus Unit Total Power ON Time	Reads the total power ON time from an X Bus Unit.	page 2-965
APB_ChangeSamplingSettings	Change Sampling Settings	Changes the variable log sampling settings that are executed by the automation playback function.	page 2-967

## Program Control Instructions

Instruction	Name	Function	Page
PrgStart	Enable Program	Enables the execution of the specified program.	page 2-972
PrgStop	Disable Program	Disables execution of the specified program.	page 2-981
PrgStatus	Read Program Status	Reads the status of the specified program.	page 2-1000

## EtherCAT Communications Instructions

Instruction	Name	Function	Page
EC_CoESDOWrite	Write EtherCAT CoE SDO	Writes a value to a CoE object of a specified slave on the EtherCAT network.	page 2-1006
EC_CoESDORead	Read EtherCAT CoE SDO	Reads a value from a CoE object of a specified slave on the EtherCAT network.	page 2-1009
EC_StartMon	Start EtherCAT Packet Monitor	Starts packet monitoring for EtherCAT communications.	page 2-1015
EC_StopMon	Stop EtherCAT Packet Monitor	Stops execution of packet monitoring for EtherCAT communications.	page 2-1021
EC_SaveMon	Save EtherCAT Packets	Saves EtherCAT communications packet data to an internal file in the main memory of the CPU Unit.	page 2-1023
EC_CopyMon	Transfer EtherCAT Packets	Transfers packet data in an internal file in the main memory of the CPU Unit to the SD Memory Card.	page 2-1025
EC_DisconnectSlave	Disconnect EtherCAT Slave	Disconnects the specified slave from the EtherCAT network.	page 2-1027
EC_ConnectSlave	Connect EtherCAT Slave	Connects the specified slave to the EtherCAT network.	page 2-1035
EC_ChangeEnableSetting	Enable/Disable EtherCAT Slave	Enables or disables an EtherCAT slave.	page 2-1037
EC_GetMasterStatistics	Read EtherCAT Master Diagnostic and Statistical Information	Reads diagnostic and statistical information in the EtherCAT master.	page 2-1057
EC_ClearMasterStatistics	Clear EtherCAT Master Diagnostic and Statistical Information	Clears diagnostic and statistical information in the EtherCAT master.	page 2-1060
EC_GetSlaveStatistics	Read EtherCAT Slave Diagnostic and Statistical Information	Reads diagnostic and statistical information in the EtherCAT slave.	page 2-1062

Instruction	Name	Function	Page
EC_ClearSlaveStatistics	Clear EtherCAT Slave Diagnostic and Statistical Information	Clears diagnostic and statistical information in the EtherCAT slave.	page 2-1065
NX_WriteObj	Write NX Unit Object	Writes data to an NX object in an EtherCAT Coupler Unit or NX Unit.	page 2-1067
NX_ReadObj	Read NX Unit Object	Reads data from an NX object in an EtherCAT Coupler Unit or NX Unit.	page 2-1083

## IO-Link Communications Instructions

Instruction	Name	Function	Page
IOL_ReadObj	Read IO-Link Device Object	Reads data from IO-Link device objects.	page 2-1092
IOL_WriteObj	Write IO-Link Device Object	Writes data to IO-Link device objects.	page 2-1101

## EtherNet/IP Communications Instructions

Instruction	Name	Function	Page
CIPOpen	Open CIP Class 3 Connection (Large_Forward_Open)	Opens a CIP class 3 connection (Large_Forward_Open) with the specified remote node. The data length is set to 1,994 bytes.	page 2-1113
CIPOpenWithData-Size	Open CIP Class 3 Connection with Specified Data Size	Opens a CIP class 3 connection with the specified remote node that allows class 3 explicit messages of the specified data length or shorter to be sent and received.	page 2-1123
CIPRead	Read Variable Class 3 Explicit	Uses a class 3 explicit message to read the value of a variable in another Controller on a CIP network.	page 2-1127
CIPWrite	Write Variable Class 3 Explicit	Uses a class 3 explicit message to write the value of a variable in another Controller on a CIP network.	page 2-1133
CIPSend	Send Explicit Message Class 3	Sends a class 3 CIP message to a specified device on a CIP network.	page 2-1139
CIPClose	Close CIP Class 3 Connection	Closes the CIP class 3 connection to the specified handle.	page 2-1144
CIPUCMMRead	Read Variable UCMM Explicit	Uses a UCMM explicit message to read the value of a variable in another Controller on the specified CIP network.	page 2-1147
CIPUCMMWrite	Write Variable UCMM Explicit	Uses a UCMM explicit message to write the value of a variable in another Controller on a CIP network.	page 2-1153
CIPUCMMSend	Send Explicit Message UCMM	Sends a UCMM CIP message to a specified device on a CIP network.	page 2-1160
SktUDPCreate	Create UDP Socket	Creates a UDP socket request to open a servo port for the EtherNet/IP.	page 2-1171
SktUDPRcv	UDP Socket Receive	Reads the data from the receive buffer for a UDP socket for the EtherNet/IP.	page 2-1179
SktUDPSend	UDP Socket Send	Sends data from a UDP port for the EtherNet/IP.	page 2-1183
SktTCPAccept	Accept TCP Socket	Requests accepting of a TCP socket for the EtherNet/IP.	page 2-1186
SktTCPConnect	Connect TCP Socket	Connects to a remote TCP port from the EtherNet/IP.	page 2-1189

Instruction	Name	Function	Page
SkdTCPRcv	TCP Socket Receive	Reads the data from the receive buffer for a specified TCP socket for the EtherNet/IP.	page 2-1198
SkdTCPSEND	TCP Socket Send	Sends data from a specified TCP port for the EtherNet/IP.	page 2-1201
SkdGetTCPStatus	Read TCP Socket Status	Reads the status of a TCP socket.	page 2-1204
SkdClose	Close TCP/UDP Socket	Closes the specified TCP or UDP socket for the EtherNet/IP.	page 2-1207
SkdClearBuf	Clear TCP/UDP Socket Receive Buffer	Clears the receive buffer for the specified TCP or UDP socket for the EtherNet/IP.	page 2-1210
SkdSetOption	Set TCP Socket Option	Sets the option for TCP socket specified for the EtherNet/IP.	page 2-1213
SkdTLSConnect	Establish TLS Session	Establishes the TLS session using the connected TCP connection.	page 2-1218
SkdTLSRead	Receive TLS	Reads the data from the receive buffer for a specified TLS session for the EtherNet/IP.	page 2-1228
SkdTLSWrite	Send TLS	Sends data from a specified TLS session for the EtherNet/IP.	page 2-1231
SkdTLSDisconnect	Disconnect TLS Session	Disconnects the specified TLS session for the EtherNet/IP.	page 2-1233
SkdTLSClearBuf	Clear TLS Session Receive Buffer	Clears the receive buffer for a specified TLS session for the EtherNet/IP.	page 2-1235
SkdTLSStopLog	Stop Secure Socket Communications Log	Stops outputting the secure socket communications log.	page 2-1237
ModbusTCPcmd	Send Modbus TCP General Command	Sends general commands using Modbus-TCP protocol.	page 2-1240
ModbusTCPRead	Send Modbus TCP Read Command	Reads data that is requested by sending read commands using Modbus-TCP protocol.	page 2-1248
ModbusTCPWrite	Send Modbus TCP Write Command	Sends write commands using Modbus-TCP protocol.	page 2-1256
ChangeIPAdr	Change IP Address	Changes the IP address of the built-in EtherNet/IP port on a CPU Unit, or the IP address of an EtherNet/IP Unit.	page 2-1264
ChangeXBUnitIPAdr	Change IP Address of X Bus Unit	Changes the IP address of the EtherNet/IP port on an X Bus Unit.	page 2-1274
ChangeFTPAccount	Change FTP Account	Changes the FTP login name and password of the built-in EtherNet/IP port on a CPU Unit, or those of an EtherNet/IP Unit.	page 2-1278
ChangeNTPServer-Adr	Change NTP Server Address	Changes the NTP server address of the built-in EtherNet/IP port on a CPU Unit, or the NTP server address of an EtherNet/IP Unit.	page 2-1282
FTPGetFileList	Get FTP Server File List	Gets a list of the files in the FTP server.	page 2-1287
FTPGetFile	Get File from FTP Server	Downloads a file from the FTP server.	page 2-1302
FTPPutFile	Put File onto FTP Server	Uploads a file to the FTP server.	page 2-1311
FTPRemoveFile	Delete FTP Server File	Deletes a file from the FTP server.	page 2-1322
FTPRemoveDir	Delete FTP Server Directory	Deletes a directory from the FTP server.	page 2-1332

## Serial Communications Instructions

Instruction	Name	Function	Page
ExecPMCR	Protocol Macro	Requests execution of a communications sequence (protocol data) registered in a Serial Communications Unit.	page 2-1338
SerialSend	SCU Send Serial	Sends data in No-protocol Mode from a serial port on a Serial Communications Unit.	page 2-1352
SerialRcv	SCU Receive Serial	Receives data in No-protocol Mode from a serial port on a Serial Communications Unit. It then clears the receive buffer after reading the data.	page 2-1363
SerialRcvNoClear	SCU Receive Serial without Receive Buffer Clear	Receives data in No-protocol Mode from a serial port on a Serial Communications Unit. It does not clear the receive buffer after reading the data.	page 2-1363
SendCmd	Send Command	Sends commands to a CJ-series Unit. <ul style="list-style-type: none"> <li>• Uses the serial gateway and sends commands to a Serial Communications Unit.</li> <li>• Sends an explicit command to a DeviceNet Unit or CompoNet Master Unit.</li> <li>• Sends socket service commands to an EtherNet/IP Unit (CJ1W-EIP21S).</li> </ul>	page 2-1378
NX_SerialSend	Send No-protocol Data	Sends data in No-protocol Mode from a serial port on an NX-series Communications Interface Unit or Option Board.	page 2-1391
NX_SerialRcv	Receive No-protocol Data	Reads data in No-protocol Mode from a serial port on an NX-series Communications Interface Unit or Option Board.	page 2-1404
NX_ModbusRtuCmd	Send Modbus RTU General Command	Sends general commands from a serial port on an NX-series Communications Interface Unit or Option Board to Modbus-RTU slaves using Modbus-RTU protocol.	page 2-1419
NX_ModbusRtu-Read	Send Modbus RTU Read Command	Sends read commands from a serial port on an NX-series Communications Interface Unit or Option Board to Modbus-RTU slaves using Modbus-RTU protocol.	page 2-1430
NX_ModbusRtu-Write	Send Modbus RTU Write Command	Sends write commands from a serial port on an NX-series Communications Interface Unit or Option Board to Modbus-RTU slaves using Modbus-RTU protocol.	page 2-1441
NX_SerialSigCtl	Serial Control Signal ON/OFF Switching	Turns ON or OFF the ER or RS signal of a serial port on an NX-series Communications Interface Unit or Option Board.	page 2-1452
NX_SerialSigRead	Read Serial Control Signal	Reads the CS or DR signal of a serial port on an Option Board.	page 2-1460
NX_SerialStatus-Read	Read Serial Port Status	Reads the status of a serial port on an Option Board.	page 2-1465
NX_SerialBufClear	Clear Buffer	Clears the send or receive buffer.	page 2-1470
NX_SerialStartMon	Start Serial Line Monitoring	Starts serial line monitoring of an NX-series Communications Interface Unit.	page 2-1480
NX_SerialStopMon	Stop Serial Line Monitoring	Stops serial line monitoring of an NX-series Communications Interface Unit.	page 2-1485

## SD Memory Card Instructions

Instruction	Name	Function	Page
FileWriteVar	Write Variable to File	Writes the value of a variable to the specified file in the SD Memory Card. The value is written in binary format.	page 2-1490
FileReadVar	Read Variable from File	Reads the contents of the specified file on the SD Memory Card as binary data and writes it to a variable.	page 2-1496



Instruction	Name	Function	Page
FileOpen	Open File	Opens the specified file in the SD Memory Card.	page 2-1502
FileClose	Close File	Closes the specified file in the SD Memory Card.	page 2-1506
FileSeek	Seek File	Sets a file position indicator in the specified file in the SD Memory Card.	page 2-1509
FileRead	Read File	Reads the data from the specified file in the SD Memory Card.	page 2-1512
FileWrite	Write File	Writes data to the specified file in the SD Memory Card.	page 2-1520
FileGets	Get Text String	Reads a text string of one line from the specified file in the SD Memory Card.	page 2-1528
FilePuts	Put Text String	Writes a text string to the specified file in the SD Memory Card.	page 2-1536
FileCopy	Copy File	Copies the specified file in the SD Memory Card.	page 2-1545
FileRemove	Delete File	Deletes the specified file from the SD Memory Card.	page 2-1553
FileRename	Change File Name	Changes the name of the specified file or directory in the SD Memory Card.	page 2-1558
DirCreate	Create Directory	Creates a directory with the specified name in the SD Memory Card.	page 2-1564
DirRemove	Delete Directory	Deletes the specified directory from the SD Memory Card.	page 2-1567
BackupToMemory-Card	SD Memory Card Backup	Backs up data to the SD Memory Card.	page 2-1570

## Time Stamp Instructions

Instruction	Name	Function	Page
NX_DOutTimeStamp	Write Digital Output with Specified Time Stamp	Writes a value to the output bit of a Digital Output Unit that supports time stamp refreshing.	page 2-1584
NX_AryDOutTimeStamp	Write Digital Output Array with Specified Time Stamp	Outputs pulses from a Digital Output Unit that supports time stamp refreshing.	page 2-1590

## Other Instructions

Instruction	Name	Function	Page
ReadNbit_**	N-bit Read Group	Reads zero or more bits from a bit string.	page 2-1600
WriteNbit_**	N-bit Write Group	Writes zero or more bits to a bit string.	page 2-1602
ChkRange	Check Subrange Variable	Determines if the value of a variable is within the valid range of the range specification.	page 2-1604
GetMyTaskStatus	Read Current Task Status	Reads the status of the current task.	page 2-1607
GetMyTaskInterval	Read Current Task Period	Reads the task period of the current task.	page 2-1610
Task_IsActive	Determine Task Status	Determines if the specified task is currently in execution.	page 2-1612
Lock	Lock Tasks	Starts an exclusive lock between tasks. Execution of any other task with a lock region with the same lock number is disabled.	page 2-1614
Unlock	Unlock Tasks	Stops an exclusive lock between tasks.	page 2-1614
ActEventTask	Activate Event Task	Activates an event task.	page 2-1620

<b>Instruction</b>	<b>Name</b>	<b>Function</b>	<b>Page</b>
Get**Clk	Get Clock Pulse Group	Outputs a clock pulse at the specified cycle.	page 2-1627
Get**Cnt	Get Incrementing Free-running Counter Group	Gets free-running counter values at the specified cycle.	page 2-1629
GetPrgHashCode	Get Program Hash Code	Gets the program hash code of the user program.	page 2-1631

# 2

## Instruction Descriptions

This section describes the specifications of the instructions that you can use with NJ/NX-series CPU Unit.

---

Using this Section .....	2-3
Ladder Diagram Instructions.....	2-13
ST Statement Instructions .....	2-27
Sequence Input Instructions .....	2-47
Sequence Output Instructions .....	2-55
Sequence Control Instructions .....	2-73
Comparison Instructions .....	2-101
Timer Instructions .....	2-135
Counter Instructions .....	2-155
Math Instructions.....	2-177
BCD Conversion Instructions .....	2-255
Data Type Conversion Instructions .....	2-275
Bit String Processing Instructions .....	2-341
Selection Instructions .....	2-353
Data Movement Instructions .....	2-373
Shift Instructions.....	2-407
Conversion Instructions .....	2-425
Stack and Table Instructions.....	2-525
FCS Instructions.....	2-567
Text String Instructions .....	2-583
Time and Time of Day Instructions.....	2-635
Analog Control Instructions .....	2-715
System Control Instructions .....	2-863
Program Control Instructions .....	2-971
EtherCAT Communications Instructions .....	2-1005

<b>IO-Link Communications Instruction .....</b>	<b>2-1091</b>
<b>EtherNet/IP Communications Instructions .....</b>	<b>2-1111</b>
<b>Serial Communications Instructions .....</b>	<b>2-1337</b>
<b>SD Memory Card Instructions .....</b>	<b>2-1489</b>
<b>Time Stamp Instructions.....</b>	<b>2-1583</b>
<b>Other Instructions .....</b>	<b>2-1599</b>

# Using this Section

The notation used to describe instructions in this section is explained below.

## Items

The following items are provided.

Item	Description
Instruction	The instruction word is given. Example: MoveBit
Name	The name of the instruction is given. Example: Move Bit
FB/FUN	Whether the instruction is a function block (FB) instruction or a function (FUN) instruction is given. You can call FB instructions only from programs and function blocks. You can call FUN instructions from programs, function blocks, and functions.
Graphic expression	<p>The figure that represents the instruction in a ladder diagram is given.</p> <p>●Example for a FUN Instruction ●Example for a FB Instruction</p> <p>The <i>instruction option</i>, <i>upward differentiation specification</i>, and <i>instance specification</i> are described below.</p> <p><b>Instruction option</b> : Support for the instruction option is indicated by (@) before the FUN instruction. If support for the instruction option is indicated, you can place @ before the instruction word to specify upward differentiation. An instruction for which upward differentiation is specified is executed when the value of the EN input variable was FALSE in the previous task period and is TRUE in the current task period.</p> <p><b>Upward differentiation specification</b> : This is indicated by the arrow pointing into the instruction at the entry point of the input variable. Instructions with this specification operate as upwardly differentiated instructions.</p> <p><b>Instance specification</b> : An instance of an instruction is indicated by XX_instance above an FB instruction. You must assign an instance name to any instance of an instruction that you specify.</p>

Item	Description
ST expression	<p>The notation that represents the instruction in ST is given.</p> <p>There are two ways that you can use to code an instruction in ST. These are described below.</p> <ol style="list-style-type: none"> <li>1. Directly specifying the Correspondence between the Parameters and the Input, Output, and In-Out Variables Example: MoveBit(In:=abc, InPos:=def, InOut:=ghi, InOutPos:=jkl);</li> <li>2. Specifying Only the Parameters and Omitting the Input, Output, and In-Out Variables Example: MoveBit(In, InPos, InOut, InOutPos);</li> </ol> <p>Method 2 is used in this section.</p> <p>You must assign an instance name to any instruction that is given as “XX_instance(variable_name).”</p> <p>Example: TON_instance (In, PT, Q, ET);</p>
Variables	<ul style="list-style-type: none"> <li>• Name The input variables, output variables, and in-out variables are given. Example: In1 However, variables that are used by many instructions are not given on the pages that describe individual instructions. The following eight variables are commonly used. The specifications of these variables are given later. (EN, ENO, Execute, Done, Busy, Error, ErrorID, ErrorIDEx)</li> <li>• Meaning The name of the variable is given. Example: Up-counter</li> <li>• I/O Whether the variable is an input variable, output variable, or in-out variable is given.</li> <li>• Description The meaning of the variable and any restrictions are given.</li> <li>• Valid range The range that the variable can take is given. <i>Depends on data type</i> indicates that the valid range of the variable depends on the data type that you use. The valid ranges of the data types are given later in this section.</li> <li>• Unit The unit of the value that is specified with the variable is given. --- indicates that no unit is required. Example: Bytes</li> <li>• Default The specified default value is automatically used for the variable if you do not assign a parameter to the instruction before it is executed. --- indicates the following: <ul style="list-style-type: none"> <li>Input variables : The default value of the data type of the input variable is assigned. The default values of the data types are given later in this section. If the input variable is a structure, the default value is given in the specifications of the structure in the description of the function of the instruction.</li> <li>Output variable : Default values are not set.</li> <li>In-out variables : Default values are not set.</li> </ul> </li> <li>• Data Types The data type of the variable is given. The use of enumerations, arrays, structures, and unions is also given.</li> </ul>
Function	<p>The function of the instruction is described.</p> <p>Variable names are given in italic text. Example: <i>In1</i></p> <p>Array names are followed by “[]”. Example: InOut[]</p>

Item	Description
Related System-defined Variables	The system-defined variables that are related to the instruction are given. Refer to the <i>NJ/NX-series CPU Unit Software User's Manual (Cat. No. W501)</i> for details on system-defined variables.
Related Semi-user-defined Variables	The semi-user-defined variables and variable names that are related to the instruction are given. Refer to the specified manuals for details on semi-user-defined variables.
Additional Information	Additional information on the function of the instruction is provided. This includes related instructions and helpful information for application of the instruction.
Precautions for Correct Use	Precautions for application of the instruction are given. The conditions under which errors occur for the instruction are also given here.
Sample Programming	Short samples of how to use the instruction in an application program are provided. The ladder diagram and ST for the same process are shown.

## Common Variables

The specifications of variables that are used for many instructions (*EN*, *ENO*, *Execute*, *Done*, *Busy*, *Error*, *ErrorID*, and *ErrorIDEx*) are described below.

These variables are not described in the tables of variables for individual instructions. Check the graphic or ST expression for the instruction to see if the instruction uses these variables.

### EN

*EN* is an input variable that gives the execution condition for a FUN instruction.

When you use a FUN instruction in a ladder diagram, connect the execution condition to *EN*.

	Meaning	I/O	Description	Data type	Valid range	Default
EN	Enable (Execution Condition)	Input	TRUE: Instruction is executed. *1 FALSE: Instruction is not executed.	BOOL	TRUE or FALSE	TRUE

\*1. If upward differentiation (@) is specified as an instruction option, the instruction is executed when the value of *EN* changes from FALSE to TRUE.

- FB instructions do not have *EN* input variables.
- When you call a FUN instruction from structured text, omit the *EN* input variable. The *EN* input variable is not required in structured text because the execution condition for the instruction is determined by the operation sequence.

### ENO

*ENO* is an output variable which passes the result of instruction execution.

The output variable can be used to pass execution conditions to the next instruction in a ladder diagram.

Normally, when the instruction execution is completed, the value of *ENO* changes to TRUE. Execution of the next instruction is then started.

	Meaning	I/O	Description	Data type	Valid range	Default
ENO	Enable Output	Output	TRUE: Normal end.* <sup>1</sup> FALSE: Error end, execution in progress, or execution condition not met.	BOOL	TRUE or FALSE	---

\*1. The value is TRUE only while the execution condition is met. The value of *ENO* changes to FALSE when the execution condition is no longer met after a normal end.

- Most FUN instructions and FB instructions have *ENO* output variables. There are, however, some instructions that do not have an *ENO* output variable.

## Execute, Done, and Busy

*Execute* is an input variable that gives the execution condition for some FB instructions.

Instruction execution starts when *Execute* changes to TRUE. After *Execute* changes to TRUE, execution of this instruction is continued until the processing is completed even if the value changes to FALSE or the instruction execution time exceeds the task period.

*Done* is an output variable that shows the completion of execution for some FB instructions.

*Busy* is an output variable that shows that instruction execution is in progress for some FB instructions.

	Meaning	I/O	Description	Data type	Valid range	Default
Execute	Execute	Input	TRUE: Instruction is executed. * <sup>1</sup> FALSE: Instruction is not executed.* <sup>2</sup>	BOOL	TRUE or FALSE	FALSE
Done	Done	Output	TRUE: Normal end.* <sup>3</sup> * <sup>4</sup> FALSE: Error end, execution in progress, or execution condition not met.	BOOL	TRUE or FALSE	---
Busy	Busy		TRUE: Execution processing is in progress. FALSE: Execution processing is not in progress.			

\*1. If the value of *Execute* is already TRUE when Controller operation starts, the instruction is not executed. To execute the instruction, change the value of *Execute* to FALSE.

\*2. Processing is continued to the end even if the value changes to FALSE during execution.

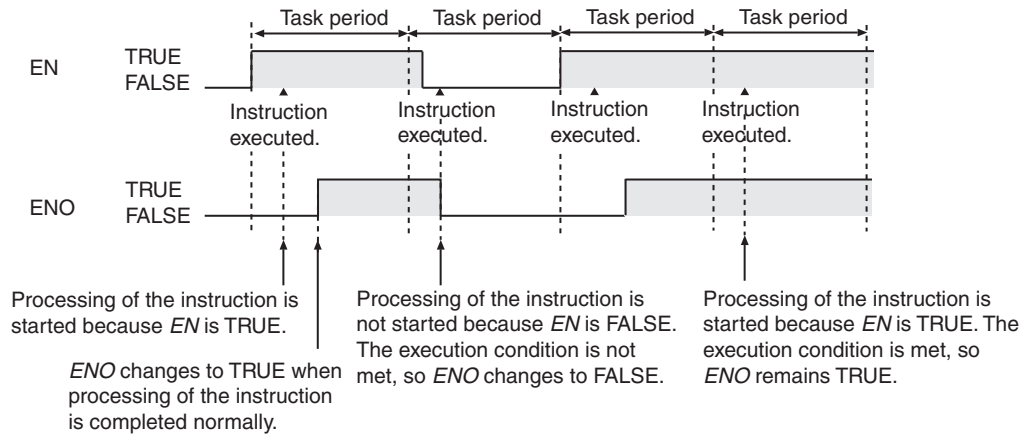
\*3. The value of *Done* changes to FALSE when the execution condition is no longer met after a normal end.

\*4. If the execution condition is no longer met when a normal end occurs, the value of *Done* is TRUE for one task period, and it then changes to FALSE.

### ● Instructions Completed in One Task Period

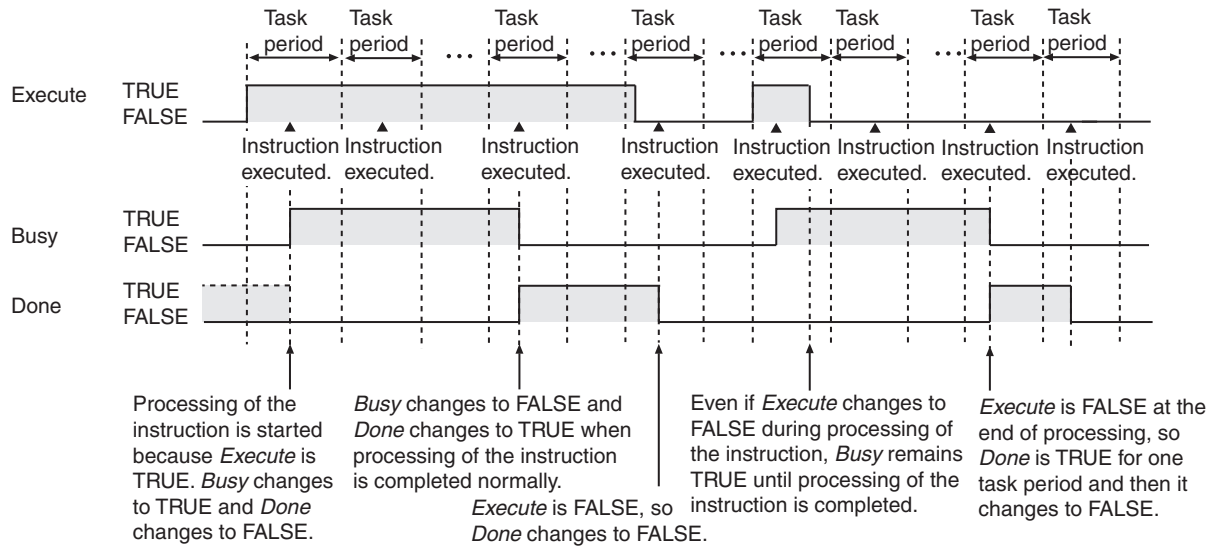
Below is a timing chart for an instruction that has *EN* and *ENO* variables (i.e., an instruction to be completed in one task period).





● Instructions Processed Over More Than One Task Period

Below is a timing chart for an instruction that has *Execute* and *Busy* variables (i.e., an instruction to be processed over more than one task period).



**Error, ErrorID, and ErrorIDEx**

*Error*, *ErrorID*, and *ErrorIDEx* are output variables used by some FB instructions, and indicate error end of the instructions.

	Meaning	I/O	Description	Data type	Valid range	Default
Error	Error	Output	TRUE: Error end.*1 *2 FALSE: Normal end, execution in progress, or execution condition not met.	BOOL	TRUE or FALSE	---
ErrorID	Error code		This is the error ID for an error end. The value is WORD#16#0 for a normal end.	WORD	Depends on the instruction.	
ErrorIDEx	Expansion error code		This is the error ID for an Expansion Unit Hardware Error. The value is DWORD#16#0 for a normal end.	DWORD		

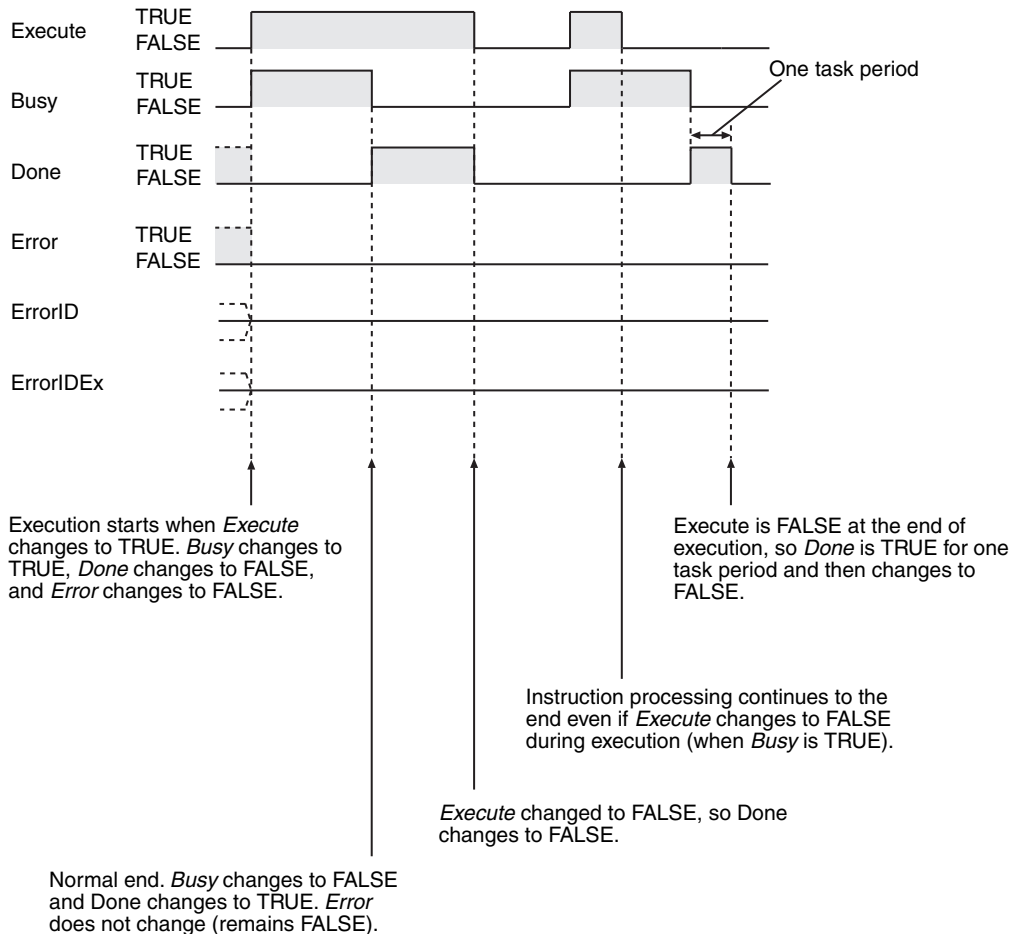
- \*1. The value of *Error* changes to FALSE when the execution condition is no longer met after the error end.
- \*2. If the execution condition is no longer met when an error end occurs, the value of *Error* is TRUE for one task period and it then changes to FALSE.

Refer to *A-1 Error Codes That You Can Check with ErrorID* on page A-2 for a list of error codes, which can be identified with *ErrorID*.

Refer to the *NJ/NX-series Troubleshooting Manual (Cat. No. W503)* for the meanings of the error codes.

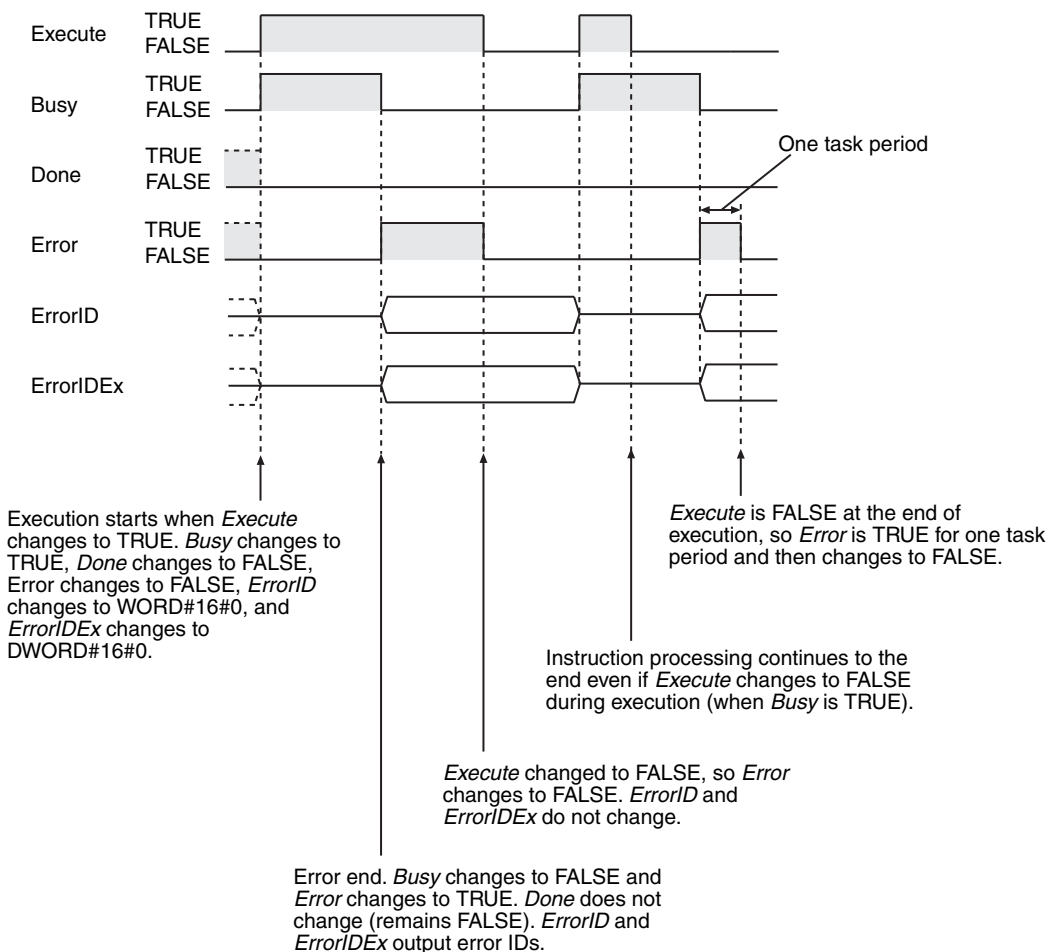
### ● Normal End

Below is a timing chart for *Execute*, *Done*, *Busy*, *Error*, *ErrorID*, and *ErrorIDEx*.



● Error End

Below is a timing chart for *Execute*, *Done*, *Busy*, *Error*, *ErrorID*, and *ErrorIDEx*.



**Valid Ranges and Default Values of Variables**

The valid range of a variable indicates the range of values that variable can take. The default value of a variable indicates the value that is assigned to an input variable when the instruction is executed without a parameter assigned to the input variable.

These values are defined for each data type. If specific values are not given for an instruction, then the valid ranges and default values of the data types are applied.

These variables are indicated with *Depends on the data type* in the valid range column and with --- in the input variable default column.

The valid ranges and default values of the data types are given in the following tables.

Classification	Data type	Valid range	Default
Boolean	BOOL	TRUE or FALSE	FALSE
Bit string	BYTE	BYTE#16#00 to FF	BYTE#16#00
	WORD	WORD#16#0000 to FFFF	WORD#16#0000
	DWORD	DWORD#16#00000000 to FFFFFFFF	DWORD#16#00000000
	LWORD	LWORD#16#0000000000000000 to FFFFFFFFFFFFFFFF	LWORD#16#0000000000000000

Classification	Data type	Valid range	Default
Integers	USINT	USINT#0 to +255	USINT#0
	UINT	UINT#0 to +65535	UINT#0
	UDINT	UDINT#0 to +4294967295	UDINT#0
	ULINT	ULINT#0 to +18446744073709551615	ULINT#0
	SINT	SINT#-128 to +127	SINT#0
	INT	INT#-32768 to +32767	INT#0
	DINT	DINT#-2147483648 to +2147483647	DINT#0
	LINT	LINT#-9223372036854775808 to +9223372036854775807	LINT#0
Real numbers	REAL	REAL#-3.402823e+38 to -1.175495e-38, 0, +1.175494e-38 to +3.402823e+38, +∞/-∞	REAL#0
	LREAL	LREAL#-1.79769313486231e+308 to -2.22507385850721e-308, 0, +2.22507385850721e-308 to +1.79769313486231e+308, +∞/-∞	LREAL#0
Times, durations, dates, and text strings	TIME	T#-9223372036854.775808ms (T#-106751d_23h_47m_16s_854.775808ms) to T#9223372036854.775807ms (T#+106751d_23h_47m_16s_854.775807ms)	T#0s
	DATE	D#1970-01-01 to D#2106-02-06 (January 1, 1970 to February 6, 2106)	D#1970-01-01
	TOD	TOD#00:00:00.000000000 to TOD#23:59:59.999999999 (00:00 and 0.000000000 to 23:59 and 59.999999999 seconds)	TOD#00:00:00.000000000
	DT	DT#1970-01-01-00:00:00.000000000 to DT#2106-02-06-23:59:59.999999999 (00:00 and 0.000000000 on January 1, 1970 to 23:59 and 59.999999999 seconds on February 6, 2106)	DT#1970-01-01-00:00:00.000000000
	STRING	Character code: UTF-8 0 to 1,986 bytes (1,985 single-byte alphanumeric characters plus the final NULL character)	"

## Derivative Data Types (Enumerations, Structures, and Unions)

Variables that use derivative data types (enumerations, structures, and unions) are specified as such in the tables of variable data types. The notation is described below.

### Enumerations

The data type for an enumerated variable is given in the table.

The following is an example. Here, the data type of the *Out* variable is enumerated type `_eDAYOF-WEEK`. The enumerators are described in the description of the function of the instruction.

	Boo lean	Bit strings					Integers							Real num bers		Times, durations, dates, and text strings				
	BOOL	BYTE	WORD	DWORD	LWORD	USINT	UINT	UDINT	ULINT	SINT	INT	DINT	LINT	REAL	LREAL	TIME	DATE	TOD	DT	STRING
In																OK			OK	
Out	Refer to Function for the enumerators for the enumerated type <code>_eDAYOFWEEK</code> .																			

## Structures and Unions

The data type for a structure or union variable is given in the table.

The following is an example. Here, the data type of the *In1* variable is structure `_sPORT`. Details on the members of a structure or union are given in the description of the function of the instruction.

	Boo lean	Bit strings					Integers							Real num bers		Times, durations, dates, and text strings				
	BOOL	BYTE	WORD	DWORD	LWORD	USINT	UINT	UDINT	ULINT	SINT	INT	DINT	LINT	REAL	LREAL	TIME	DATE	TOD	DT	STRING
In1	Refer to Function for details on the structure <code>_sPORT</code> .																			

The tables also indicate any variables for which you can specify a structure, a structure member, a union, or a union member as the parameter.

In the following example, you can specify a parameter with a basic data type, or you can specify a structure, a structure member, a union, or a union member for the *In1* variable. To specify a structure or union, specify only the structure or the union as the parameter. To specify a structure member or a union member, specify the member as the parameter.

	Boo lean	Bit strings					Integers							Real num bers		Times, durations, dates, and text strings				
	BOOL	BYTE	WORD	DWORD	LWORD	USINT	UINT	UDINT	ULINT	SINT	INT	DINT	LINT	REAL	LREAL	TIME	DATE	TOD	DT	STRING
In1	OK	OK	OK	OK	OK	OK	OK	OK	OK	OK	OK	OK	OK	OK	OK	OK	OK	OK	OK	OK
	A structure, structure member, union, or union member can also be specified.																			

## Array Specifications

Array variable names are followed by “[ ]” and “(array)” is specified. For these variables, specify an element of the array (i.e., specify the subscript) as the parameter.

An example is shown below. Here, the table shows that `In1[]` is a BYTE array.

	Boo lean	Bit strings					Integers							Real num bers		Times, durations, dates, and text strings				
	BOOL	BYTE	WORD	DWORD	LWORD	USINT	UINT	UDINT	ULINT	SINT	INT	DINT	LINT	REAL	LREAL	TIME	DATE	TOD	DT	STRING
<code>In1[]</code> (array)		OK																		

The data type table indicates the arrays for which structures and unions can be used as elements, as shown in the following example. For these variables, specify an element of the array (i.e., specify the subscript) as the parameter.

	Boo lean	Bit strings					Integers							Real num- bers		Times, durations, dates, and text strings					
	BOOL	BYTE	WORD	DWORD	LWORD	USINT	UINT	UDINT	ULINT	SINT	INT	DINT	LINT	REAL	LREAL	TIME	DATE	TOD	DT	STRING	
In1[] (array)																					Arrays of structures or unions can also be specified.

The table indicates any variables for which you can specify either an array or an array element as the parameter.

In the following example, you can specify a basic data type for the *In1* variable, or you can specify an entire array or an array element, as well. To specify an entire array, pass its array name as a parameter. To specify an element of an array, pass its array name with its subscript as a parameter.

	Boo lean	Bit strings					Integers							Real num- bers		Times, durations, dates, and text strings					
	BOOL	BYTE	WORD	DWORD	LWORD	USINT	UINT	UDINT	ULINT	SINT	INT	DINT	LINT	REAL	LREAL	TIME	DATE	TOD	DT	STRING	
In1	OK	OK	OK	OK	OK	OK	OK	OK	OK	OK	OK	OK	OK	OK	OK	OK	OK	OK	OK	OK	An array or array element can also be specified.

## Others

### Errors Detected for All Instructions

The errors that can occur for an instruction are given in the Precautions for Correct Use section. The following errors, however, can be detected for any instruction. They are not listed in the Precautions for Correct Use sections.

- Reading or writing elements that exceed the range of an array variable.  
Example: Setting a[4] for an input variable for the array variable a[0..3].
- Passing parameters that are not array variables to instructions for which array variables are defined for input, output, or in-out variables.
- Assigning a text string that is longer than the defined number of bytes to a STRING variable.
- Assigning a text string that does not end in a NULL character to a STRING variable.
- Dividing an integer variable by 0.

### Precautions for All Instructions

The amount of processing that is required for some instructions depends on the parameters that you connect.

If there is too much processing, the instruction execution time increases and the task period may be exceeded. This will result in a Task Period Exceeded error. Adjust the amount of processing to a suitable amount.


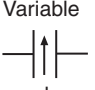
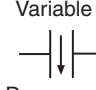

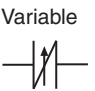
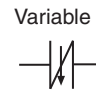
# Ladder Diagram Instructions

Instruction	Name	Page
LD and LDN	Load/Load NOT	page 2-14
AND and ANDN	AND/AND NOT	page 2-17
OR and ORN	OR/OR NOT	page 2-20
Out and OutNot	Output/Output NOT	page 2-23

# LD and LDN

LD : Reads the value of a BOOL variable.

LDN : Reads the inverted value of a BOOL variable.

Instruction	Name	FB/ FUN	Graphic expression	ST expression
LD	Load	---	Variable  [ Variable  Variable  ] Upward differentiation      Downward differentiation	None
LDN	Load NOT	---	Variable  [ Variable  Variable  ] Upward differentiation      Downward differentiation	None

## Variables

None

## Function

### LD

The LD instruction reads the value of the specified BOOL variable and outputs it to the next instruction.

If the value of the specified variable is TRUE, then TRUE is output. If the value is FALSE, then FALSE is output.

Use the LD instruction for the first NO bit from the bus bar or for the first NO bit of a logic block.

The operation is as shown below if you do not specify upward or downward differentiation.

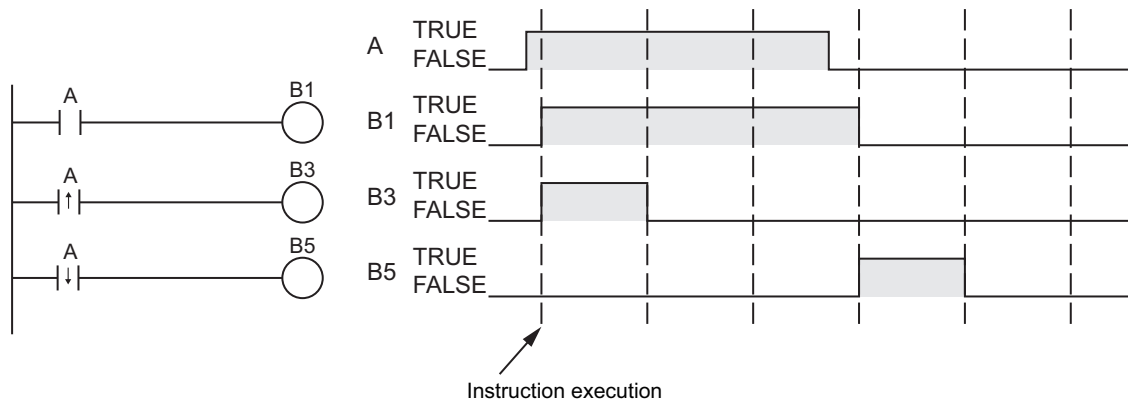
Instruction	Value of variable	Output value
LD	TRUE	TRUE
	FALSE	FALSE

If you specify upward or downward differentiation, the operation depends on the following: the value of the variable the last time the instruction was executed and the current value of the variable. This is shown below.

Instruction	Differentiation specification	Value of variable at last execution and current value of variable	Output value
LD	Upward differentiation	FALSE at the last execution → Currently TRUE	TRUE
		Other than the above.	FALSE
	Downward differentiation	TRUE at the last execution → Currently FALSE	TRUE
		Other than the above.	FALSE



The following figure shows a programming example and timing chart.



## LDN

The LD instruction reads the inverse of the value of the specified BOOL variable and outputs it to the next instruction.

If the value of the specified variable is TRUE, then FALSE is output. If the value is FALSE, then TRUE is output.

Use the LDN instruction for the first NC bit from the bus bar or for the first NC bit of a logic block.

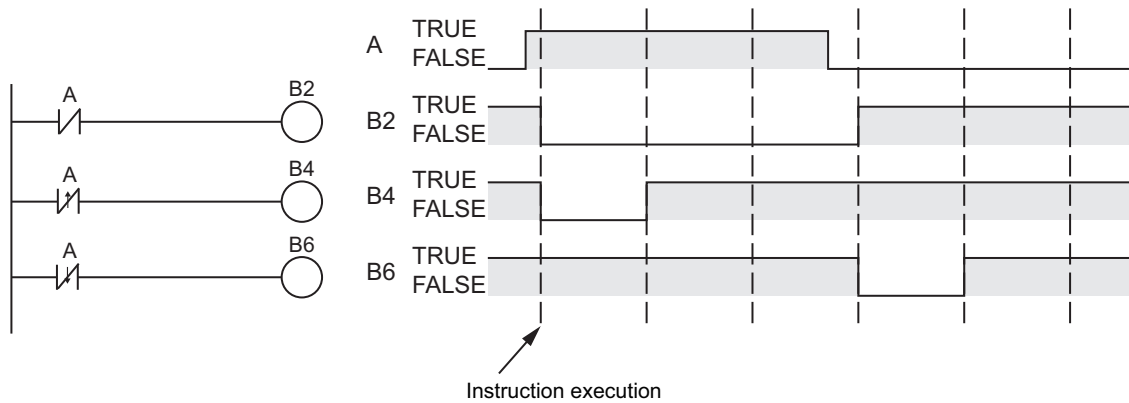
The operation is as shown below if you do not specify upward or downward differentiation.

Instruction	Value of variable	Output value
LDN	TRUE	FALSE
	FALSE	TRUE

If you specify upward or downward differentiation, the operation depends on the following: the value of the variable the last time the instruction was executed and the current value of the variable. This is shown below.

Instruction	Differentiation specification	Value of variable at last execution and current value of variable	Output value
LDN	Upward differentiation	FALSE at the last execution → Currently TRUE	FALSE
		Other than the above.	TRUE
	Downward differentiation	TRUE at the last execution → Currently FALSE	FALSE
		Other than the above.	TRUE

The following figure shows a programming example and timing chart.



## Precautions for Correct Use

- In the following cases, an error will occur and the output from this instruction to the subsequent rung will be undefined.
  - a) You specify an array element for the variable value and the element does not exist.  
Example: A BOOL array a[0..5] is defined, but the instruction is executed using a[10] as the variable.
- If the output from this instruction to the subsequent rung is undefined as mentioned above, it is recommended to take one of the following measures.
  - a) Make it a program that always sets the element number that fits in the area so that elements that exceed the array area are not read.
  - b) Check the element number in advance, and if it exceeds the array area, use the JMP instruction to make the program avoid the occurrence of an error.
- Do not use these instructions as the rightmost instruction on a rung. If you do, an error occurs on the Sysmac Studio and you cannot transfer the user program to the Controller.

# AND and ANDN

AND : Takes the logical AND of the value of a BOOL variable and the input value.

ANDN : Takes the logical AND of the inverted value of a BOOL variable and the input value.

Instruction	Name	FB/ FUN	Graphic expression	ST expression
AND	AND	---	<p>Variable</p> <p>Variable</p> <p>Upward differentiation</p> <p>Downward differentiation</p>	result:=vBool1 AND vBool2; result:=vBool1 & vBool2;
ANDN	AND NOT	---	<p>Variable</p> <p>Variable</p> <p>Upward differentiation</p> <p>Downward differentiation</p>	result:=vBool1 AND NOT vBool2;

## Variables

None

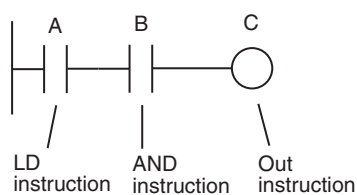
## Function

### AND

The AND instruction takes the logical AND of the value of a specified BOOL variable and the execution condition and outputs it to the next instruction.

Use the AND instruction for a NO bit connected in series with the previous instruction.

The following figure shows a programming example of the AND instruction. It takes the logical AND of variable *A* and variable *B* and outputs it to variable *C*.





It takes the logical AND of variable *A* and variable *B* and outputs the result to variable *C*.

The operation is as shown below if you do not specify upward or downward differentiation.

Instruction	Combination of variable value and execution condition	Output value
AND	Variable value: TRUE Execution condition: TRUE	TRUE
	Other than the above.	FALSE

If you specify upward or downward differentiation, the operation depends on the following: the value of the variable the last time the instruction was executed, the current value of the variable, and the execution condition. This is shown below.

Instruction	Differentiation specification	Combination of value of variable at last execution, current value of variable, and execution condition	Output value
AND	Upward differentiation	Variable value: FALSE at the last execution → Currently TRUE Execution condition: TRUE	TRUE
		Other than the above.	FALSE
	Downward differentiation	Variable value: TRUE at the last execution → Currently FALSE Execution condition: TRUE	TRUE
		Other than the above.	FALSE

### ANDN

The ANDN instruction takes the logical AND of the inverse of the value of a specified BOOL variable and the execution condition and outputs it to the next instruction.

Use the ANDN instruction for a NC bit connected in series with the previous instruction.

The operation is as shown below if you do not specify upward or downward differentiation.

Instruction	Combination of variable value and execution condition	Output value
ANDN	Variable value: FALSE Execution condition: TRUE	TRUE
	Other than the above.	FALSE

If you specify upward or downward differentiation, the operation depends on the following: the value of the variable the last time the instruction was executed, the current value of the variable, and the execution condition. This is shown below.

Instruction	Differentiation specification	Combination of value of variable at last execution, current value of variable, and execution condition	Output value
ANDN	Upward differentiation	Variable value: FALSE at the last execution → Currently TRUE Execution condition: TRUE	FALSE
		Variable value: Ignored Execution condition: FALSE	
		Other than the above.	
	Downward differentiation	Variable value: TRUE at the last execution → Currently FALSE Execution condition: TRUE	FALSE
		Variable value: Ignored Execution condition: FALSE	
		Other than the above.	

### Precautions for Correct Use

- In the following cases, an error will occur and the output from this instruction to the subsequent rung will be undefined in the ladder diagram program.  
In ST language, the line containing this instruction is not executed. For more information, refer to *Operation When a Syntax Error Occurs in a POU Written in ST in the NJ/NX-series CPU Unit Software User's Manual (Cat. No. W501)*.
  - a) You specify an array element for the variable value and the element does not exist.  
Example: A BOOL array a[0..5] is defined, but the instruction is executed using a[10] as the variable.
- If the output from this instruction to the subsequent rung is undefined in the ladder diagram program as mentioned above, it is recommended to take one of the following measures.
  - a) Make it a ladder diagram program that always sets the element number that fits in the area so that elements that exceed the array area are not read.
  - b) Check the element number in advance, and if it exceeds the array area, use the JMP instruction to make the ladder diagram program avoid the occurrence of an error.
- Do not use these instructions as the rightmost instruction on a rung. If you do, an error occurs on the Sysmac Studio and you cannot transfer the user program to the Controller.
- You cannot connect these instructions directly to the bus bar.

# OR and ORN

OR : Takes the logical OR of the value of a BOOL variable and the execution condition.

ORN : Takes the logical OR of the inverted value of a BOOL variable and the execution condition.

Instruction	Name	FB/ FUN	Graphic expression	ST expression
OR	OR	---		result:=vBool1 OR vBool2;
ORN	OR NOT	---		result:=vBool1 OR NOT vBool2;

## Variables

None

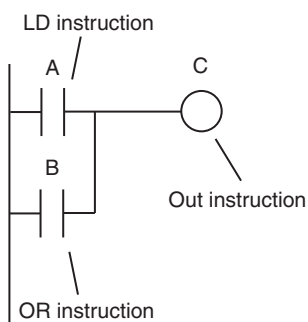
## Function

### OR

The OR instruction takes the logical OR of the value of a specified BOOL variable and the execution condition and outputs it to the next instruction.

Use the OR instruction for a NO bit connected in parallel with the previous instruction. Use the OR instruction to configure a logical OR between an NO bit and one of the following: a LD or LDN instruction connected directly to the bus bar, or the logic block starting with a LD or LDN instruction and ending with the instruction immediately before the OR instruction.

The following figure shows a programming example of the OR instruction. It takes the logical OR of variable *A* and variable *B* and outputs it to variable *C*.





It takes the logical OR of variable *A* and variable *B* and outputs the result to variable *C*.

The operation is as shown below if you do not specify upward or downward differentiation.

Instruction	Combination of variable value and execution condition	Output value
OR	Variable value: FALSE Execution condition: FALSE	FALSE
	Other than the above.	TRUE

If you specify upward or downward differentiation, the operation depends on the following: the value of the variable the last time the instruction was executed, the current value of the variable, and the execution condition. This is shown below.

Instruction	Differentiation specification	Combination of value of variable at last execution, current value of variable, and execution condition	Output value
OR	Upward differentiation	Variable value: FALSE at the last execution → Currently TRUE Execution condition: Ignored.	TRUE
		Variable value: Ignored Execution condition: TRUE	
		Other than the above.	FALSE
	Downward differentiation	Variable value: TRUE at the last execution → Currently FALSE Execution condition: Ignored.	TRUE
		Variable value: Ignored Execution condition: TRUE	
		Other than the above.	FALSE

## ORN

The ORN instruction takes the logical OR of the inverse of the value of a specified BOOL variable and the execution condition and outputs it to the next instruction.

Use the ORN instruction for a NC bit connected in parallel with the previous instruction. Use the ORN instruction to configure a logical OR between an NC bit and one of the following: a LD or LDN instruction connected directly to the bus bar, or the logic block starting with a LD or LDN instruction and ending with the instruction immediately before the ORN instruction.

The operation is as shown below if you do not specify upward or downward differentiation.

Instruction	Combination of variable value and execution condition	Output value
ORN	Variable value: TRUE Execution condition: FALSE	FALSE
	Other than the above.	TRUE

If you specify upward or downward differentiation, the operation depends on the following: the value of the variable the last time the instruction was executed, the current value of the variable, and the execution condition. This is shown below.

Instruction	Differentiation specification	Combination of value of variable at last execution, current value of variable, and execution condition	Output value
ORN	Upward differentiation	Variable value: FALSE at the last execution → Currently TRUE Execution condition: FALSE	FALSE
		Other than the above.	TRUE
	Downward differentiation	Variable value: TRUE at the last execution → Currently FALSE Execution condition: FALSE	FALSE
		Other than the above.	TRUE

## Precautions for Correct Use

- In the following cases, an error will occur and the output from this instruction to the subsequent rung will be undefined in the ladder diagram program.  
In ST language, the line containing this instruction is not executed. For more information, refer to *Operation When a Syntax Error Occurs in a POU Written in ST in the NJ/NX-series CPU Unit Software User's Manual (Cat. No. W501)*.
  - a) When an array element is specified for the value of the variable and the element does not exist.  
(Example) When a BOOL type array a [0..5] is defined and an attempt is made to execute this instruction by specifying the variable a [10].
- If the output from this instruction to the subsequent rung is undefined in the ladder diagram program as mentioned above, it is recommended to take one of the following measures.
  - a) Make it a ladder diagram program that always sets the element number that fits in the area so that elements that exceed the array area are not read.
  - b) Check the element number in advance, and if it exceeds the array area, use the JMP instruction to make the ladder diagram program avoid the occurrence of an error.
- Do not use this instruction as the rightmost instruction on a rung. If you do, an error occurs on the Sysmac Studio and you cannot transfer the user program to the Controller.



# Out and OutNot

- Out : Takes the logical result from the previous instruction and outputs it to a BOOL variable.
- OutNot : Takes the inverted value of the logical result from the previous instruction and outputs it to a BOOL variable.

Instruction	Name	FB/ FUN	Graphic expression	ST expression
Out	Output	---		Variable:=(Logic expression up to previous instruction);
OutNot	Output NOT	---		Variable:=NOT(Logic expression up to previous instruction);

## Variables

None

## Function

### Out

The Out instruction takes the logical result from the previous instruction and outputs it to a specified BOOL variable.

The operation is as shown below if you do not specify upward or downward differentiation.

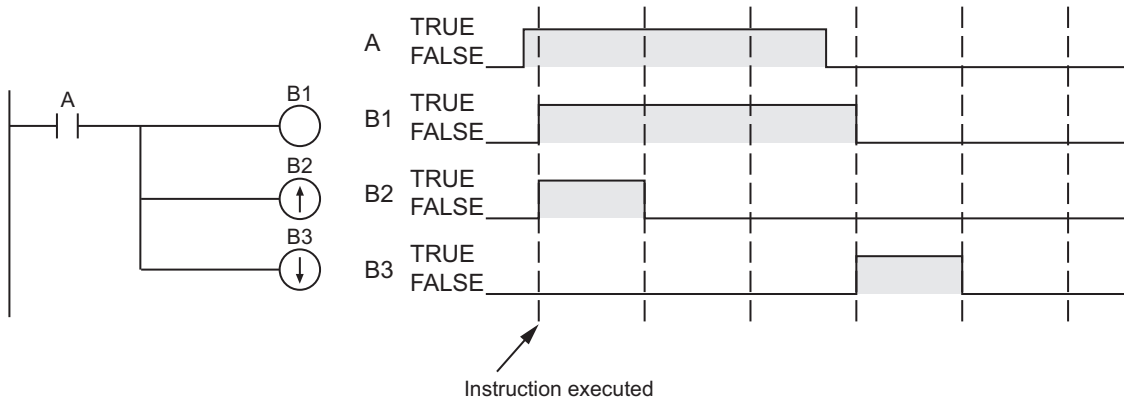
Logic processing result from previous instruction	Output
TRUE	TRUE
FALSE	FALSE

You can specify upward or downward differentiation for the Out instruction. If upward or downward differentiation is specified, the output value is determined by changes in the result of logic processing from the previous instruction between the last execution of the instruction and the current execution. The operation is according to the current logical result from the previous instruction, as shown in the following table.

Differentiation specification	Results of logic processing from the previous execution and current execution	Output
Upward differentiation	FALSE at the last execution → Currently TRUE	TRUE
	Other than the above.	FALSE

Differentiation specification	Results of logic processing from the previous execution and current execution	Output
Downward differentiation	TRUE at the last execution → Currently FALSE	TRUE
	Other than the above.	FALSE

The following figure shows a programming example and timing chart.

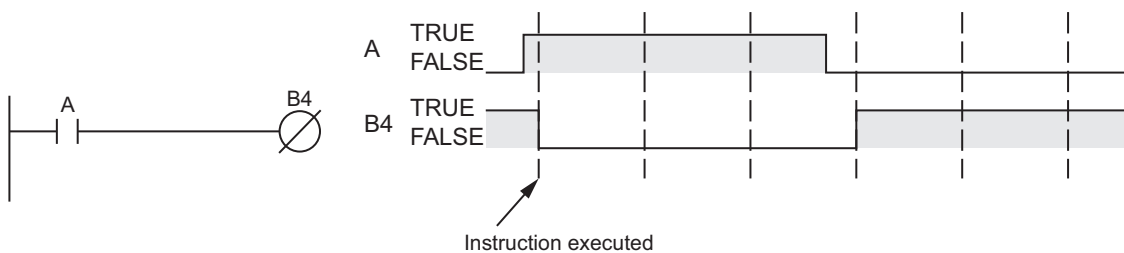


## OutNot

The OutNot instruction takes the inverse of the logical result from the previous instruction and outputs it to a specified BOOL variable.

Logic processing result from previous instruction	Output
TRUE	FALSE
FALSE	TRUE

The following figure shows a programming example and timing chart.



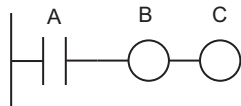
## Additional Information

### Differences between the Set and Reset Instructions and the Out and OutNot Instructions

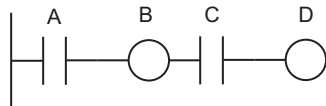
- The Set and Reset instructions operate only when the input value changes to TRUE. They do not operate when the input value is FALSE. When the input value is FALSE, the output does not change.
- The Out and OutNot instructions affect the output whether the logical result of the previous instruction is TRUE or FALSE.

## Precautions for Correct Use

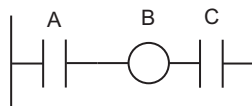
- In the following case, an error occurs and nothing is output.
  - a) You specify an array element for the variable value and the element does not exist.  
Example: A BOOL array a[0..5] is defined, but the instruction is executed using a[10] as the variable.
- The following connections are possible.
  - a) You can connect another Out instruction after the Out instruction.



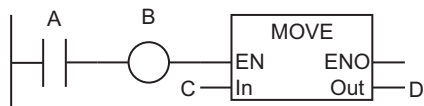
- b) You can connect the LD instruction and Out instruction after the Out instruction.



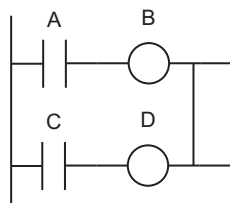
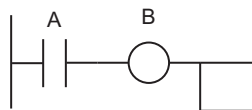
- The following connections are not possible.
  - a) You cannot connect only the LD instruction after the Out instruction.



- b) Functions and function blocks cannot be connected after the Out instruction.



- c) Branches and joins cannot be used after Out instructions.





# ST Statement Instructions

Instruction	Name	Page
IF	If	page 2-28
CASE	Case	page 2-32
WHILE	While	page 2-36
REPEAT	Repeat	page 2-39
EXIT	Break Loop	page 2-42
RETURN	Return	page 2-45
FOR	Repeat Start	page 2-46

# IF

The IF construct selects one of two statements to execute, based on the evaluation result of a specified condition expression.

Instruction	Name	FB/ FUN	Graphic expression	ST expression
IF	If	---	None	IF condition expression THEN statement; ELSIF condition expression THEN statement; ELSE statement; END_IF;

## Variables

None

## Function

The IF construct selects one of two statements to execute, based on the evaluation result of a specified condition expression. Use a condition expression that evaluates to TRUE or FALSE as shown in the table below.

Item used for condition expression	Example	Evaluation result
Logic expression	$a > 3$	If the value of variable <i>a</i> is greater than 3, the result is TRUE. Otherwise, the result is FALSE.
	$a = b$	If the values of variables <i>a</i> and <i>b</i> are equal, the result is TRUE. Otherwise, the result is FALSE.
BOOL variable	<i>abc</i>	If the value of variable <i>abc</i> is TRUE, the result is TRUE. If it is FALSE, the result is FALSE.
BOOL constant	TRUE	TRUE
Function with a BOOL return value	FUN name	If the function returns TRUE, the result is TRUE. If it returns FALSE, the result is FALSE.

You can use the following operators in the logic expression.

Operator	Meaning	Example	Evaluation result
=	Equals	$a = b$	If the values of variables <i>a</i> and <i>b</i> are equal, the result is TRUE. Otherwise, the result is FALSE.
<>	Not equals	$a <> b$	If the values of variables <i>a</i> and <i>b</i> are not equal, the result is TRUE. Otherwise, the result is FALSE.

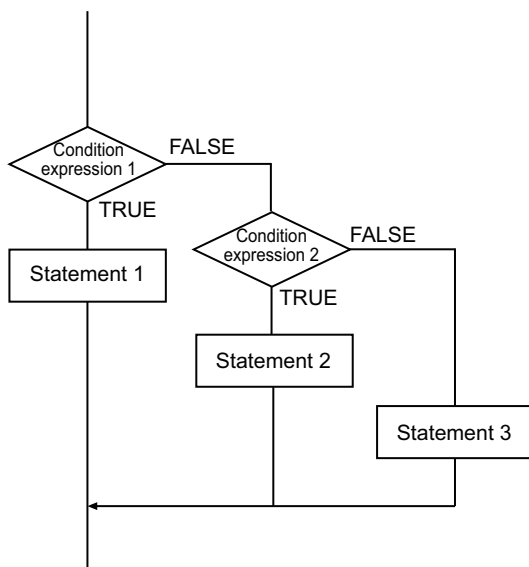
Operator	Meaning	Example	Evaluation result
<	Comparison	$a < b$	If the value of variable $a$ is less than the value of variable $b$ , the result is TRUE. Otherwise, the result is FALSE.
<=		$a <= b$	If the value of variable $a$ is less than or equal to the value of variable $b$ , the result is TRUE. Otherwise, the result is FALSE.
>		$a > b$	If the value of variable $a$ is greater than the value of variable $b$ , the result is TRUE. Otherwise, the result is FALSE.
>=		$a >= b$	If the value of variable $a$ is greater than or equal to the value of variable $b$ , the result is TRUE. Otherwise, the result is FALSE.
AND (&)	Logical AND	$a$ AND $b$ $a \& b$	The result is the logical AND of BOOL variables $a$ and $b$ .
OR	Logical OR	$a$ OR $b$	The result is the logical OR of BOOL variables $a$ and $b$ .
XOR	Exclusive OR	$a$ XOR $b$	The result is the logical exclusive OR of BOOL variables $a$ and $b$ .
NOT	NOT	NOT $a$	The result is the NOT of BOOL variable $a$ .

In the following flowchart, the IF construct is executed based on the evaluation results of condition expressions 1 and 2. More than one statement can be used in a IF construct, as shown below.

```

IF condition expression 1 THEN
    statement 1;
ELSIF condition expression 2 THEN
    statement 2;
ELSE
    statement 3;
END_IF;

```



## Additional Information

- IF statements can be nested. The following example executes statement 11 if the evaluation results of both condition expression 1 and condition expression 11 are TRUE.

```

IF condition expression 1 THEN
    IF condition expression 11 THEN

```

```

        statement 11;
    ELSIF condition expression 12 THEN
        statement 12;
    ELSE
        statement 13;
    END_IF;
ELSIF condition expression 2 THEN
    statement 2;
ELSE
    statement 3;
END_IF;

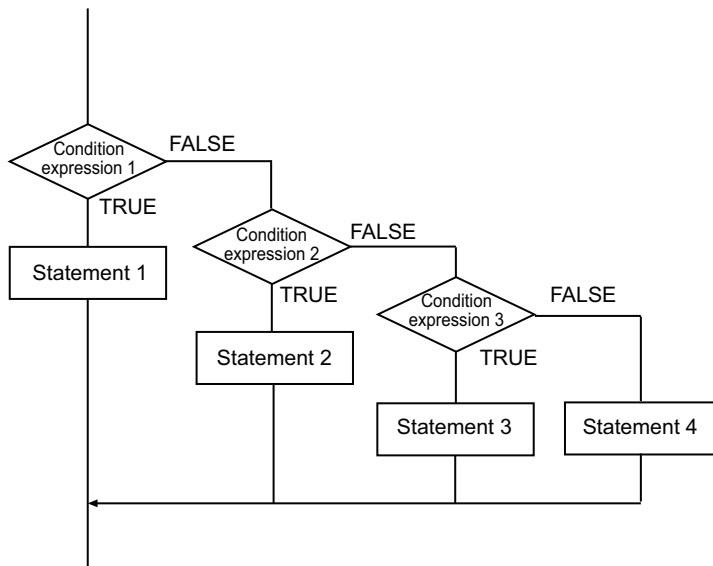
```

You can use ELSIF more than once. The following processing flow is for this example.

```

IF condition expression 1 THEN
    statement 1;
ELSIF condition expression 2 THEN
    statement 2;
ELSIF condition expression 3 THEN
    statement 3;
ELSE
    statement 4;
END_IF;

```



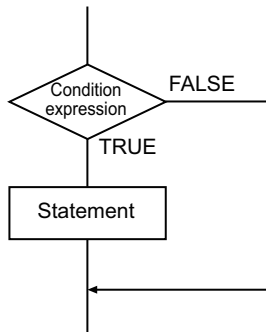
- ELSIF is not needed if the IF construct has only one condition expression. ELSE is not needed either if no processing is required when none of the condition expressions evaluate to TRUE. The following processing flow is for this example.

```

IF condition expression THEN
    statement;
END_IF;

```





- There are no restrictions on the statements that you can use. You can use any statements for the IF construct as you do for other instructions, such as function block calls and FOR statements.

## Precautions for Correct Use

- You must always use IF and END\_IF. IF and END\_IF must be paired.
- You can nest statement constructs up to a maximum of 15 levels, including IF, CASE, FOR, WHILE, and REPEAT statements.

## Sample Programming

In the following example, INT#0 is assigned to variable *def* if the value of variable *abc* is less than INT#0. INT#1 is assigned to variable *def* and INT#2 to variable *ghi* if the value of variable *abc* is INT#0. INT#3 is assigned to variable *def* if the value of variable *abc* is none of the above.

Variable	Data type	Initial value
abc	INT	0
def	INT	0
ghi	INT	0

```

IF (abc<INT#0) THEN
    def:=INT#0;
ELSIF (abc=INT#0) THEN
    def:=INT#1;
    ghi:=INT#2;
ELSE
    def:=INT#3;
END_IF;
  
```

# CASE

The CASE construct selects a statement to execute, based on the value of a specified integer expression.

Instruction	Name	FB/ FUN	Graphic expression	ST expression
CASE	Case	---	None	<pre> CASE integer expression O F     value:         statement;     value:         statement;     :     ELSE         statement; END_CASE; </pre>

## Variables

None

## Function

The CASE construct selects a statement to execute, based on the value of a specified integer expression.

The following integer expressions and values can be used.

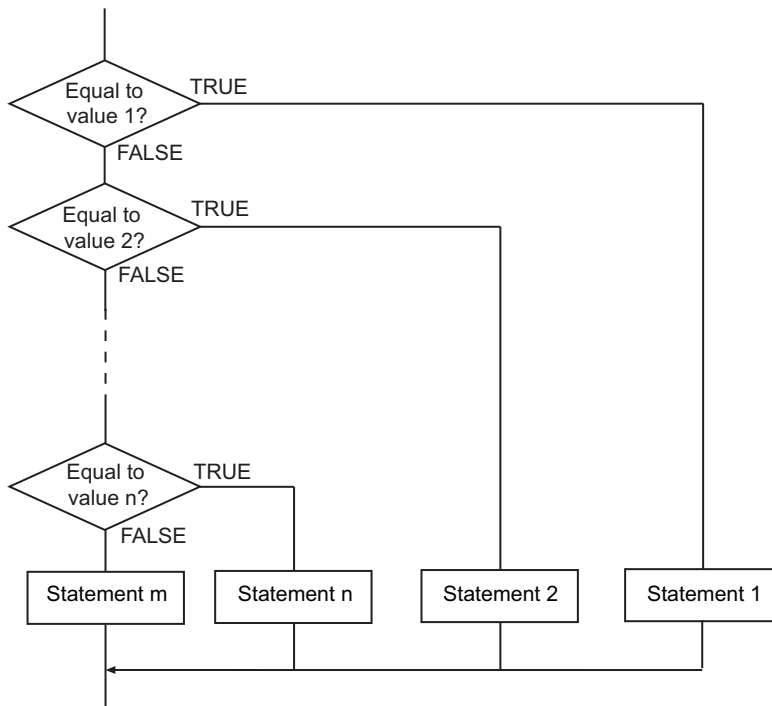
	Allowed notation
Integer expres- sion	Integer variable, integer constant, integer expression, or a function that returns an integer return value, enumeration variable, enumeration expression, or enumerator
Values	Integer constants

The flowchart in the following example shows the processing flow for an integer expression. You can use more than one statement as shown below.

```

CASE integer expression OF
  1 :
    statement 1;
  2 :
    statement 2;
  :
  n :
    statement n;
  ELSE
    statement m;
END_CASE;

```



## Additional Information

- CASE statements can be nested. The following example executes statement 12 if the value of integer expression 1 is 1 and the value of integer expression 11 is 2.

```

CASE integer expression 1 OF
  1:
    CASE integer expression 1 OF
      1:
        statement 11;
      2:
        statement 12;
    ELSE
      statement 1m;
    END_CASE;
  2:
    statement 2;
  3:
    statement 3;
ELSE
  statement m;
END_CASE;

```

- You can use more than one value at the same time. Separate values with commas. In the following example, statement 1 is executed if the value of the integer expression is either 1 or 2.

```

CASE integer expression 1 OF
  1,2:
    statement 1;

```

```

3:
    statement 2;
4:
    statement 3;
ELSE
    statement m;
END_CASE;

```

- You can use a range of consecutive values. Place two periods between the numbers to indicate consecutive values. In the following example, statement 1 is executed if the value of the integer expression is between 10 and 15, inclusive.

```

CASE integer expression 1 OF
    10..15:
        statement 1;
    16:
        statement 2;
    17:
        statement 3;
ELSE
    statement m;
END_CASE;

```

- You can omit ELSE. If you do, none of the statements is executed if none of the values is equal to the value of the integer expression.
- There are no restrictions on statements that you can use. You can use any statements for the CASE construct as you do for other instructions, such as function block calls and FOR statements.
- The CASE statement behaves differently from the *switch* case statement in C programming. With a *switch* case statement in C programming, all statements after a value that matches the integer expression are executed unless a *break* statement is used. With a CASE statement, only statements selected based on a value that matches the integer expression are executed. In the following example, statements 1 to 3 are executed for the *switch* statement in C programming. On the other hand, only statement 1 is executed for the CASE instruction.

C Language switch Statement	CASE Instruction
<pre> val=1; switch val {     case 1:         <b>statement 1;</b>     case 2:         <b>statement 2;</b>     case 3:         <b>statement 3;</b> } </pre>	<pre> val:=1; CASE val OF     1:         <b>statement 1;</b>     2:         <b>statement 2;</b>     3:         <b>statement 3;</b> END_CASE; </pre>

## Precautions for Correct Use

- You must always use CASE and END\_CASE. CASE and END\_CASE must be paired.
- The data types of the integer expression and values can be different.
- Each value can be given only once.

- You can nest statement constructs up to a maximum of 15 levels, including IF, CASE, FOR, WHILE, and REPEAT statements.

## Sample Programming

If the value of variable *abc* is INT#1, INT#10 is assigned to variable *def*. Similarly, INT#20 is assigned for INT#2, and INT#30 for INT#3. For any other value, the value of variable *ghi* is assigned.

Variable	Data type	Initial value
abc	INT	0
def	INT	0
ghi	INT	0

```
CASE abc OF
  INT#1:
    def:=INT#10;
  INT#2:
    def:=INT#20;
  INT#3:
    def:=INT#30;
  ELSE
    def:=ghi;
END_CASE;
```

If the value of variable *abc* is INT#1, INT#10 is assigned to variable *def*. Similarly, INT#20 is assigned for either INT#2 or INT#5, and INT#30 for a value between INT#6 and INT#10, inclusive. For any other value, no value is assigned.

Variable	Data type	Initial value
abc	INT	0
def	INT	0

```
CASE abc OF
  INT#1:
    def:=INT#10;
  INT#2, INT#5:
    def:=INT#20;
  INT#6..INT#10:
    def:=INT#30;
END_CASE;
```

# WHILE

The WHILE construct repeatedly executes a statement as long as the evaluation result of a specified condition expression is TRUE.

Instruction	Name	FB/ FUN	Graphic expression	ST expression
WHILE	While	---	None	WHILE condition expression DO statement; END_WHILE;

## Variables

None

## Function

The WHILE construct repeatedly executes a statement as long as the evaluation result of a specified condition expression is TRUE. Use a condition expression that evaluates to TRUE or FALSE as shown in the table below.

Item used for condition expression	Example	Evaluation result
Logic expression	$a > 3$	If the value of variable $a$ is greater than 3, the result is TRUE. Otherwise, the result is FALSE.
	$a = b$	If the values of variables $a$ and $b$ are equal, the result is TRUE. Otherwise, the result is FALSE.
BOOL variable	abc	If the value of variable $abc$ is TRUE, the result is TRUE. If it is FALSE, the result is FALSE.
BOOL constant	TRUE	TRUE
Function with a BOOL return value	FUN name	If the function returns TRUE, the result is TRUE. If it returns FALSE, the result is FALSE.

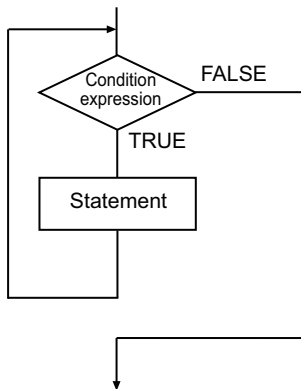
You can use the following operators in the logic expression.

Operator	Meaning	Example	Evaluation result
=	Equals	$a = b$	If the values of variables $a$ and $b$ are equal, the result is TRUE. Otherwise, the result is FALSE.
<>	Not equals	$a <> b$	If the values of variables $a$ and $b$ are not equal, the result is TRUE. Otherwise, the result is FALSE.
<	Comparison	$a < b$	If the value of variable $a$ is less than the value of variable $b$ , the result is TRUE. Otherwise, the result is FALSE.
<=		$a <= b$	If the value of variable $a$ is less than or equal to the value of variable $b$ , the result is TRUE. Otherwise, the result is FALSE.
>		$a > b$	If the value of variable $a$ is greater than the value of variable $b$ , the result is TRUE. Otherwise, the result is FALSE.
>=		$a >= b$	If the value of variable $a$ is greater than or equal to the value of variable $b$ , the result is TRUE. Otherwise, the result is FALSE.

Operator	Meaning	Example	Evaluation result
AND (&)	Logical AND	a AND b a & b	The result is the logical AND of BOOL variables <i>a</i> and <i>b</i> .
OR	Logical OR	a OR b	The result is the logical OR of BOOL variables <i>a</i> and <i>b</i> .
XOR	Exclusive OR	a XOR b	The result is the logical exclusive OR of BOOL variables <i>a</i> and <i>b</i> .
NOT	NOT	NOT a	The result is the NOT of BOOL variable <i>a</i>

The following processing flow is for this example. You can use more than one statement.

```
WHILE condition expression DO
    statement;
END_WHILE;
```



## Additional Information

- If the first condition expression evaluates to FALSE, the following statement will not be executed.
- There are no restrictions on statements that you can use. You can use any statements for the WHILE construct as you do for other instructions, such as function block calls and FOR statements.
- Execute the EXIT instruction to cancel repeat processing. The processing between the EXIT instruction and the END\_WHILE instruction will not be executed.

## Precautions for Correct Use

- You must always use WHILE and END\_WHILE. WHILE and END\_WHILE must be paired.
- You can nest statement constructs up to a maximum of 15 levels, including IF, CASE, FOR, WHILE, and REPEAT statements.

## Sample Programming

INT#7 is repeatedly added to variable *abc* as long as the value of variable *abc* is less than or equal to INT#1000.

Variable	Data type	Initial value
abc	INT	0

```
abc:=INT#0;
WHILE abc<=INT#1000 DO
```

```
    abc:=abc+INT#7;  
END_WHILE;
```



# REPEAT

The REPEAT construct executes a statement once, and then executes it repeatedly until a specified condition expression becomes TRUE.

Instruction	Name	FB/ FUN	Graphic expression	ST expression
REPEAT	Repeat	---	None	REPEAT statement; UNTIL condition expression END_REPEAT;

## Variables

None

## Function

The REPEAT construct executes a statement once, and then executes it repeatedly until a specified condition expression becomes TRUE. Use a condition expression that evaluates to TRUE or FALSE as shown in the table below.

Item used for condition expression	Example	Evaluation result
Logic expression	$a > 3$	If the value of variable $a$ is greater than 3, the result is TRUE. Otherwise, the result is FALSE.
	$a = b$	If the values of variables $a$ and $b$ are equal, the result is TRUE. Otherwise, the result is FALSE.
BOOL variable	$abc$	If the value of variable $abc$ is TRUE, the result is TRUE. If it is FALSE, the result is FALSE.
BOOL constant	TRUE	TRUE
Function with a BOOL return value	FUN name	If the function returns TRUE, the result is TRUE. If it returns FALSE, the result is FALSE.

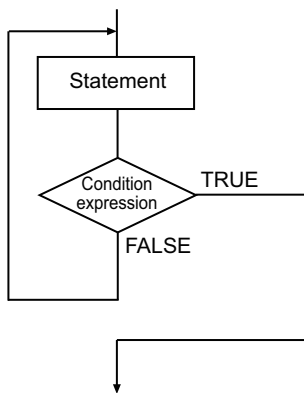
You can use the following operators in the logic expression.

Operator	Meaning	Example	Evaluation result
=	Equals	$a = b$	If the values of variables $a$ and $b$ are equal, the result is TRUE. Otherwise, the result is FALSE.
<>	Not equals	$a <> b$	If the values of variables $a$ and $b$ are not equal, the result is TRUE. Otherwise, the result is FALSE.
<	Comparison	$a < b$	If the value of variable $a$ is less than the value of variable $b$ , the result is TRUE. Otherwise, the result is FALSE.
<=		$a <= b$	If the value of variable $a$ is less than or equal to the value of variable $b$ , the result is TRUE. Otherwise, the result is FALSE.
>		$a > b$	If the value of variable $a$ is greater than the value of variable $b$ , the result is TRUE. Otherwise, the result is FALSE.
>=		$a >= b$	If the value of variable $a$ is greater than or equal to the value of variable $b$ , the result is TRUE. Otherwise, the result is FALSE.

Operator	Meaning	Example	Evaluation result
AND (&)	Logical AND	a AND b a & b	The result is the logical AND of BOOL variables <i>a</i> and <i>b</i> .
OR	Logical OR	a OR b	The result is the logical OR of BOOL variables <i>a</i> and <i>b</i> .
XOR	Exclusive OR	a XOR b	The result is the logical exclusive OR of BOOL variables <i>a</i> and <i>b</i> .
NOT	NOT	NOT a	The result is the NOT of BOOL variable <i>a</i>

The following processing flow is for this example. You can use more than one statement.

```
REPEAT
    statement;
UNTIL condition expression
END_REPEAT;
```



## Additional Information

- The statement is executed once before the condition expression is evaluated. Therefore, the statement is always executed at least once.
- There are no restrictions on statements that you can use. You can use any statements for the REPEAT construct as you do for other instructions, such as function block calls and FOR statements.
- Execute the EXIT instruction to cancel repeat processing. The processing between the EXIT instruction and the END\_REPEAT instruction will not be executed.

## Precautions for Correct Use

- You must always use REPEAT, UNTIL, and END\_REPEAT. REPEAT, UNTIL, and END\_REPEAT must be used as a set.
- You can nest statement constructs up to a maximum of 15 levels, including IF, CASE, FOR, WHILE, and REPEAT statements.

## Sample Programming

INT#1 is repeatedly added to variable *abc* until the value of variable *abc* exceeds INT#10.

Variable	Data type	Initial value
abc	INT	0

```
abc:=INT#0;  
REPEAT  
    abc:=abc+INT#1;  
UNTIL abc>INT#10  
END_REPEAT;
```

# EXIT

The EXIT instruction ends repeat processing for the FOR, WHILE, or REPEAT instruction of the innermost loop.

Instruction	Name	FB/ FUN	Graphic expression	ST expression
EXIT	Break Loop	---	None	<pre>FOR Index:=0 TO 9 BY 1 DO   IF Error[Index] THEN     EXIT;   END_IF; END_FOR;</pre>

## Variables

None

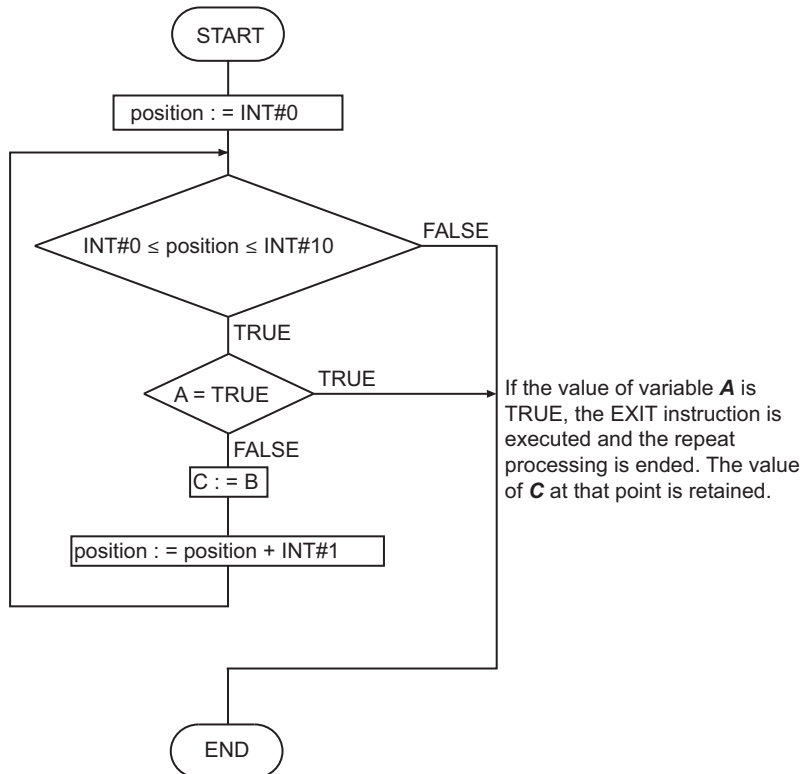
## Function

The EXIT instruction ends repeat processing for the FOR, WHILE, or REPEAT instruction of the innermost loop. Processing moves to the next instruction after the repeat processing.

In the following programming, the value of variable *A* is checked every time the FOR instruction is processed for repeat processing. If the value of variable *A* is TRUE, the EXIT instruction is executed and the repeat processing is ended. If that occurs, *C:=B*; following END\_IF is not executed and the previous value of variable *C* is retained.

```
FOR position:=INT#0 TO INT#10 BY INT#1 DO
  IF (A=TRUE) THEN
    EXIT;
  END_IF;
  C:=B;
END_FOR;
```

The flowchart for this programming is given below.



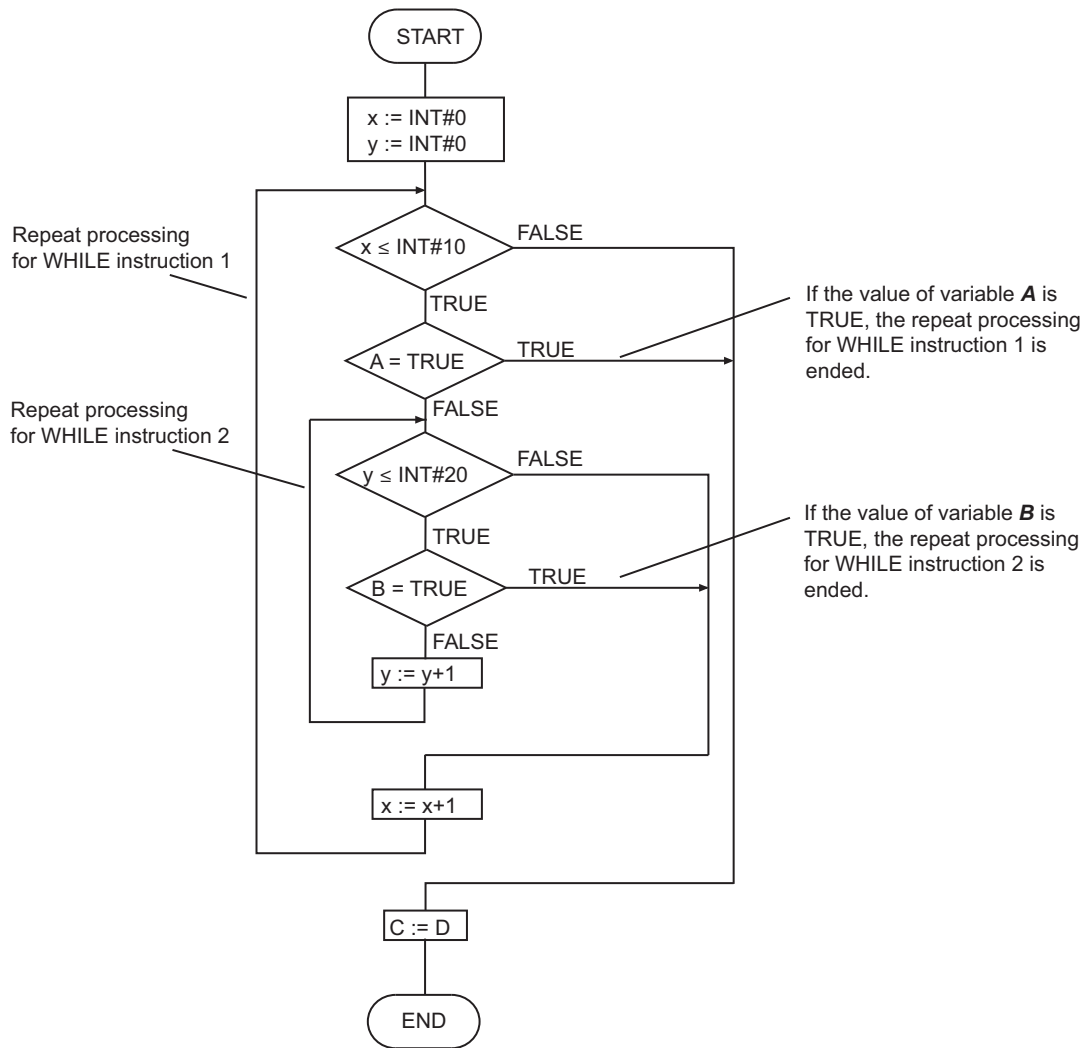
When the EXIT instruction is executed, only the innermost repeat processing is ended. In the following programming, when the value of variable *B* is TRUE, EXIT instruction 2 is executed and the repeat processing for WHILE instruction 2 is ended. And processing moves to *x:=x+1*;. In this case, repeat processing for WHILE instruction 1 (one level higher) is continued.

If the value of variable *A* is TRUE, EXIT instruction 1 is executed and the repeat processing for WHILE instruction 1 is ended. And processing moves to *C:=D*;

```

x:=INT#0;
y:=INT#0;
WHILE x<=INT#10 DO          // WHILE instruction 1
  IF (A=TRUE) THEN
    EXIT;                    // EXIT instruction 1
  END_IF;
  WHILE y<=INT#20 DO        // WHILE instruction 2
    IF (B=TRUE) THEN
      EXIT;                  // EXIT instruction 2
    END_IF;
    y:=y+1;
  END_WHILE;
  x=x+1;
END_WHILE
C:=D;
  
```

The flowchart for this programming is given below.



## Precautions for Correct Use

- Always place this instruction between the FOR and END\_FOR, WHILE and END\_WHILE, or REPEAT and END\_REPEAT instructions.
- If you nest repeat processing, one EXIT instruction is required for each nesting level to end all of the repeat processing.

# RETURN

The RETURN instruction ends a program, function or function block.

Instruction	Name	FB/ FUN	Graphic expression	ST expression
RETURN	Return	---	None	RETURN;

## Variables

None

## Function

The RETURN instruction ends a program, function or function block.

- If this instruction is executed in a function or function block, it ends the function or function block and returns processing to the calling instruction.
- If this instruction is executed in a program that has a section, it ends the section and program and executes the next program.
- If this instruction is executed in a program that does not have a section, it ends the program and executes the next program.

If the RETURN instruction is executed in the following programming, the SR instruction that follows it is not executed.

```
RETURN;
SR_Instance(Set1:=a, Reset:=b, Q1=>abc);
```

## Precautions for Correct Use

- Before you execute this instruction in a function or function block, set the return value, output variables, and *ENO* value of the POU.
- If this instruction is executed in a program, it ends the program and executes the next program. Use it with caution.
- If you use this instruction too often, the flow of processing will be difficult to understand. Use it with caution.
- Refer to the instruction *RETURN* on page 2-75 in the Sequence Control Instructions for a description of the RETURN instruction for the ladder diagram program.

# FOR

---

Refer to the instructions, *FOR* and *NEXT* on page 2-92, in the Sequence Control Instructions for a description of this instruction.



# Sequence Input Instructions

Instruction	Name	Page
R_TRIG (Up) and F_TRIG (Down)	Up Trigger/ Down Trigger	page 2-48
TestABit and TestABitN	Test A Bit/ Test A Bit NOT	page 2-52

# R\_TRIG (Up) and F\_TRIG (Down)

R\_TRIG (Up) : Outputs TRUE for one task period only when the input signal changes to TRUE.

F\_TRIG (Down) : Outputs TRUE for one task period only when the input signal changes to FALSE.

Instruction	Name	FB/ FUN	Graphic expression	ST expression
R_TRIG	Up Trigger	FB		R_TRIG_instance(Clk, Q);
Up		FUN		None
F_TRIG	Down Trigger	FB		F_TRIG_instance(Clk, Q);
Down		FUN		None

## Variables

	Meaning	I/O	Description	Valid range	Unit	Default
Clk, In	Input signal	Input	Input signal	Depends on data type.	---	---
Q, Out	Output signal	Output	Output signal	Depends on data type.	---	---

	Boo lean	Bit strings				Integers								Real num bers		Times, durations, dates, and text strings				
	BOOL	BYTE	WORD	DWORD	LWORD	USINT	UINT	UDINT	ULINT	SINT	INT	DINT	LINT	REAL	LREAL	TIME	DATE	TOD	DT	STRING
Clk, In	OK																			
Q, Out	OK																			

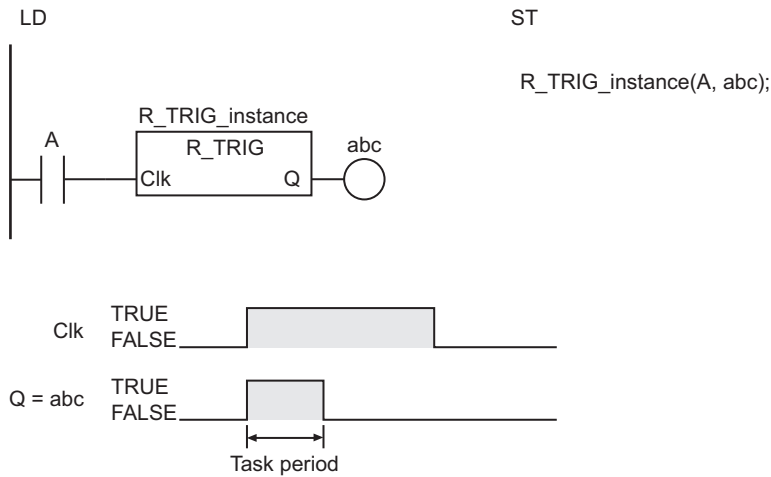
## Function

### R\_TRIG

R\_TRIG assigns TRUE to output signal Q for one task period only when input signal *Clk* changes to TRUE. Otherwise, the value of Q is FALSE.

The functions of the R\_TRIG instruction and the Up instruction are the same.

The following figure shows a programming example and timing chart.



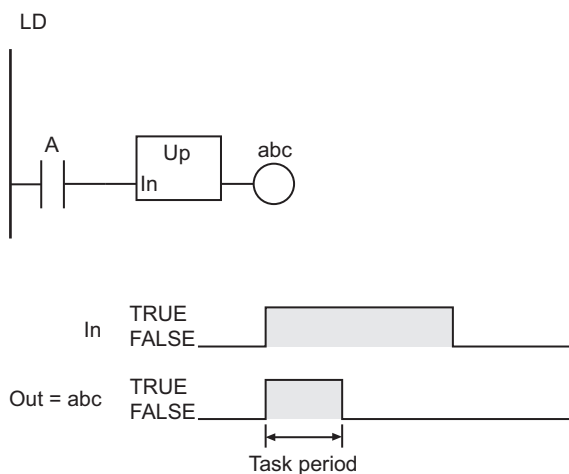
## Up

The Up instruction assigns TRUE to output signal *Out* for one task period only when input signal *In* changes to TRUE. Otherwise, the value of *Out* is FALSE.

The functions of the R\_TRIG instruction and the Up instruction are the same.

However, the operation of the Up instruction is different from the operation of the R\_TRIG instruction in the first task period in which it is executed. Refer to *Precautions for Correct Use* on page 2-50 for the operation of the Up instruction in the first task period in which it is executed.

The following figure shows a programming example and timing chart.

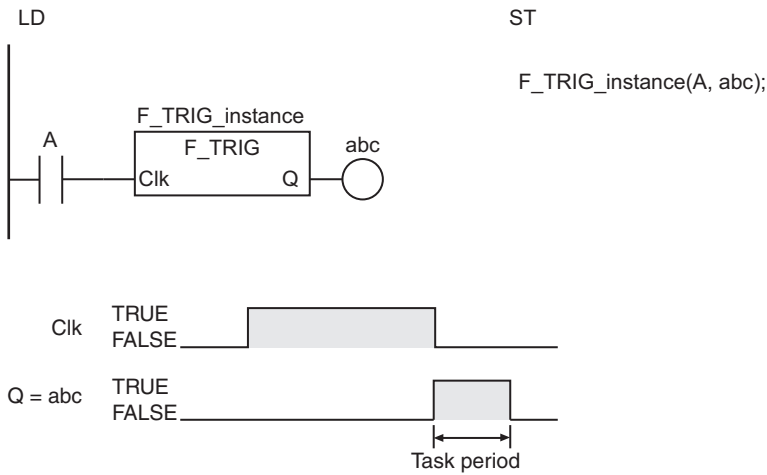


## F\_TRIG

F\_TRIG assigns TRUE to output signal *Q* for one task period only when input signal *Clk* changes to FALSE. Otherwise, the value of *Q* is FALSE.

The functions of the F\_TRIG instruction and the Down instruction are exactly the same.

The following figure shows a programming example and timing chart.

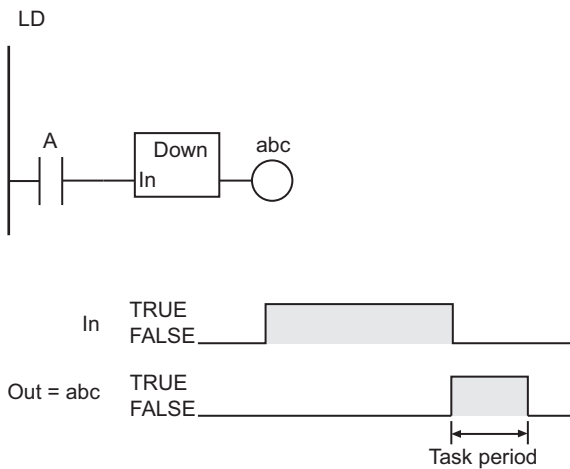


## Down

The Down instruction assigns TRUE to output signal *Out* for one task period only when input signal *In* changes to FALSE. Otherwise, the value of *Out* is FALSE.

The functions of the F\_TRIG instruction and the Down instruction are exactly the same.

The following figure shows a programming example and timing chart.



## Precautions for Correct Use

- Detection of upward or downward differentiation depends on differences between the current value of *Clk* or *In* and the value the last time the instruction was executed. Caution is required if this instruction is not executed every task period as the JMP instruction or any other instruction is used.
- If power is interrupted, the value of *Clk* or *In* is not detected as FALSE. The value of *Clk* or *In* is detected as FALSE only if the instruction evaluates the value of *Clk* or *In* while *Clk* or *In* is FALSE.
- In the first task period in which the Up instruction is executed, the value of *Out* is always FALSE regardless of the value of *In*.
- If the value of *In* in the Up instruction is TRUE when the power supply is turned ON, the value of *Out* remains FALSE until the value of *In* changes to FALSE and then to TRUE.

- In the first task period in which the F\_TRIG instruction is executed, the value of Q is always FALSE regardless of the value of *Cik*.
- If the value of *Cik* in the F\_TRIG instruction is FALSE when the power supply is turned ON, the value of Q remains FALSE until the value of *Cik* changes to TRUE and then to FALSE.
- In the first task period in which the Down instruction is executed, the value of *Out* is always FALSE regardless of the value of *In*.
- If the value of *In* in the Down instruction is FALSE when the power supply is turned ON, the value of *Out* remains FALSE until the value of *In* changes to TRUE and then to FALSE.



### Version Information

If the value of *Cik* is TRUE, the value of Q varies depending on the unit version of the CPU Unit when the R\_TRIG instruction is executed at the timing described in the table below.

Timing of execution of R_TRIG when <i>Cik</i> is TRUE	Value of Q	
	CPU Unit with unit version 1.02 or later	CPU Unit with unit version 1.01 or earlier
Task period in which R_TRIG is first executed	TRUE	Always TRUE
When the power supply is turned ON	TRUE	The value of Q remains FALSE until the value of <i>Cik</i> changes to FALSE and then to TRUE.

# TestABit and TestABitN

TestABit : Outputs the value of the specified bit in a bit string.

TestABitN : Outputs the inverted value of the specified bit in a bit string.

Instruction	Name	FB/ FUN	Graphic expression	ST expression
TestABit	Test A Bit	FUN		Out:=TestABit (In, Pos);
TestABitN	Test A Bit NOT	FUN		Out:=TestABitN (In, Pos);

## Variables

	Meaning	I/O	Description	Valid range	Unit	Default
In	Bit string	Input	Bit string	Depends on data type.	---	*1
Pos	Bit position		Specified bit position	0 to the number of bits in <i>In</i> - 1		0
Out	Bit value	Output	<ul style="list-style-type: none"> <li>TestABit Value of specified bit</li> <li>TestABitN Inverse of value of specified bit</li> </ul>	Depends on data type.	---	---

\*1. If you omit the input parameter, the default value is not applied. A building error will occur.

	Boo lean	Bit strings				Integers							Real num- bers		Times, durations, dates, and text strings					
	BOOL	BYTE	WORD	DWORD	LWORD	USINT	UINT	UDINT	ULINT	SINT	INT	DINT	LINT	REAL	LREAL	TIME	DATE	TOD	DT	STRING
In		OK	OK	OK	OK															
Pos						OK														
Out	OK																			

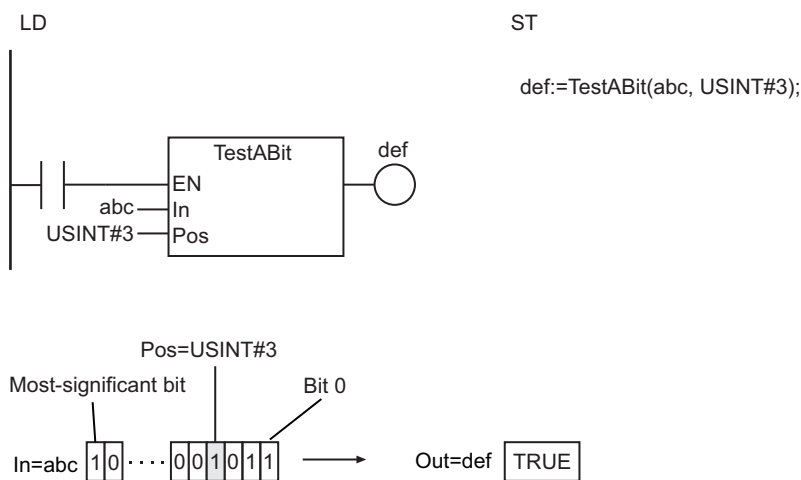
## Function

### TestABit

The TestABit instruction assigns the value of the bit at bit position *Pos* in the bit string *In* to the bit value *Out* when *EN* is TRUE.

When *EN* is FALSE, the value of *Out* is FALSE.

The following example shows the TestABit instruction when *Pos* is *USINT#3*.



## TestABitN

The TestABitN instruction assigns the inverted value of the bit at bit position *Pos* in the bit string *In* to the bit value *Out* when *EN* is TRUE.

When *EN* is FALSE, the value of *Out* is FALSE.

## Precautions for Correct Use

- If the TestABit instruction and the TestABitN instruction are used in a ladder diagram, the value of *Out* changes to FALSE when an error occurs in the previous instruction on the rung.
- An error occurs in the following case. *Out* will be FALSE.
  - a) The value of *Pos* is greater than the number of bits in *In* - 1.





# Sequence Output Instructions

Instruction	Name	Page
RS	Reset-Priority Keep	page 2-56
SR	Set-Priority Keep	page 2-59
Set and Reset	Set/Reset	page 2-62
SetBits and ResetBits	Reset Bits/Reset Bits	page 2-66
SetABit and ResetABit	Set A Bit/Reset A Bit	page 2-69
OutABit	Output A Bit	page 2-71

# RS

The RS instruction retains the value of a BOOL variable. It gives priority to the Reset input if both the Set input and the Reset input are TRUE.

Instruction	Name	FB/ FUN	Graphic expression	ST expression
RS	Reset-Priority Keep	FB		RS_instance(Set, Reset1, Q1);

## Variables

	Meaning	I/O	Description	Valid range	Unit	Default
Set *1	Set	Input	Set input	Depends on data type.	---	0
Reset1 *1	Reset		Reset input			
Q1	Keep	Output	Keep output	Depends on data type.	---	---

- \*1. On Sysmac Studio version 1.03 or higher, you can use *S* instead of *Set* and *R1* instead of *Reset1* to more clearly show the correspondence between the variables and the parameter names in ST expressions.  
For example, you can use the following notation: RS\_instance(S:=A, R1:=B, Q1=>abc);

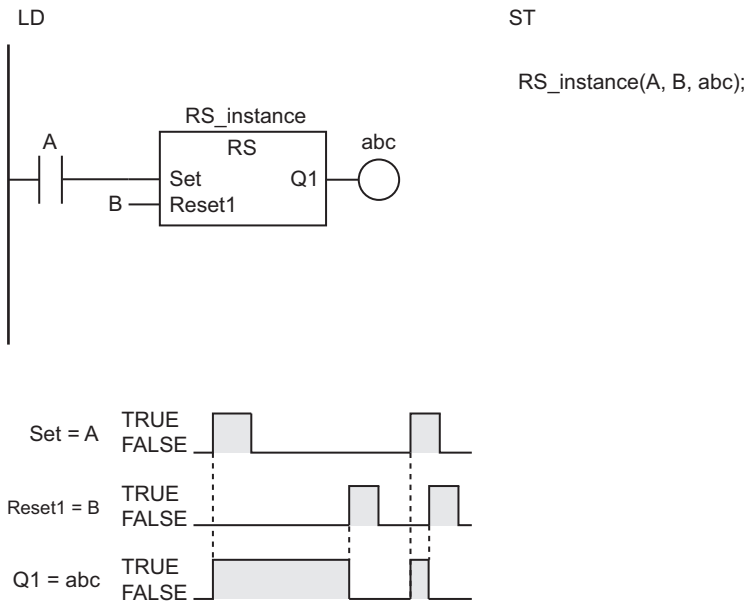
	Boo lean	Bit strings				Integers								Real num- bers		Times, durations, dates, and text strings				
	BOOL	BYTE	WORD	DWORD	LWORD	USINT	UINT	UDINT	ULINT	SINT	INT	DINT	LINT	REAL	LREAL	TIME	DATE	TOD	DT	STRING
Set	OK																			
Reset1	OK																			
Q1	OK																			

## Function

The RS instruction forms a self-holding output that gives priority to resetting. The following table shows input values and resulting output values.

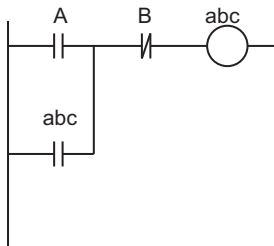
Value of Set	Value of Reset1	Value of Q1
TRUE	TRUE	FALSE
TRUE	FALSE	TRUE
FALSE	TRUE	FALSE
FALSE	FALSE	Not changed.

The following figure shows a programming example and timing chart.



## Additional Information

- The RS instruction behaves like the following self-holding rung.



- However, if the RS instruction is in a master control region and the master control region is reset, the behavior will not be the same as the above self-holding rung.

Instruction/rung	Value of B	Value of abc
RS instruction	TRUE	Not changed.
	FALSE	FALSE
Self-holding rung	TRUE	FALSE
	FALSE	

## Precautions for Correct Use

- Never use an NC bit directly from an external device for the *Reset1* input. The internal power supply in the Controller will not turn OFF immediately when the AC power is interrupted (even for momentary interruptions), and the input from the Input Unit may change to ON first. This could cause the *Reset1* input to change to TRUE.
- If this instruction is used in a ladder diagram, the value of *Q1* is retained when an error occurs in the previous instruction on the rung.
- If this instruction is not executed due to the execution of a jump instruction (e.g., the JMP instruction), *Q1* retains the value from the last execution.

- If this instruction is in a master control region and the master control region is reset, the operation is as follows:
  - a) If the value of *Reset1* is TRUE, the value of *Q1* is retained. If the value of *Reset1* is FALSE, the value of *Q1* changes to FALSE.
  - b) FALSE is input to the instruction that is connected to *Q1* even if the value of *Q1* is TRUE.
- Even if you connect a parameter with a Retain attribute to *Q1*, the value will not be retained when the power is interrupted. After the power supply is restored, the value of *Q1* will change to FALSE when the operating mode is changed to RUN mode and the instruction is executed. If the self-holding rung given in *Additional Information* on page 2-57 is used, the value is retained even after the power supply is restored.

# SR

The SR instruction retains the value of a BOOL variable. It gives priority to the Set input if both the Set input and Reset input are TRUE.

Instruction	Name	FB/ FUN	Graphic expression	ST expression
SR	Set-Priority Keep	FB		SR_instance(Set1, Reset, Q1);

## Variables

	Meaning	I/O	Description	Valid range	Unit	Default
Set1 *1	Set	Input	Set input	Depends on data type.	---	0
Reset	Reset		Reset input			
Q1	Keep	Output	Keep output	Depends on data type.	---	---

- \*1. On Sysmac Studio version 1.03 or higher, you can use *S1* instead of *Set1*, and *R* instead of *Reset* to more clearly show the correspondence between the variables and the parameter names in ST expressions. For example, you can use the following notation: SR\_instance(S1:=A, R:=B, Q1=>abc);.

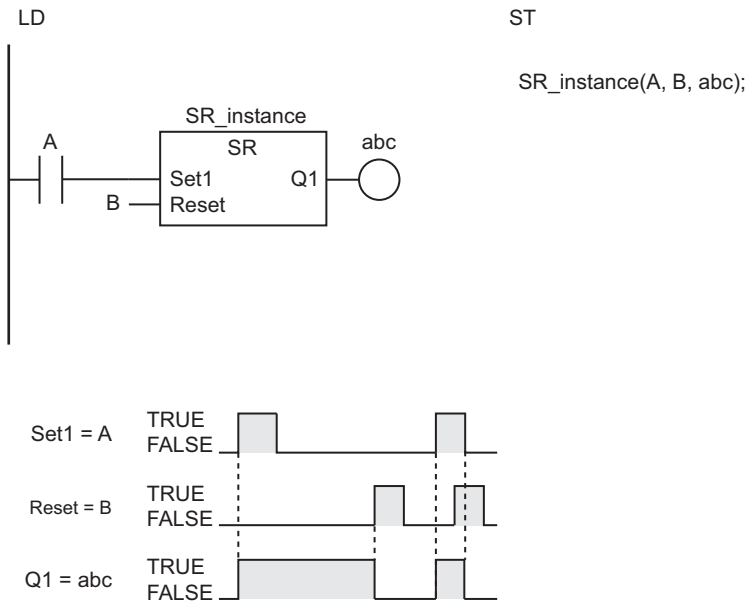
	Boo lean	Bit strings					Integers							Real numbers		Times, durations, dates, and text strings				
	BOOL	BYTE	WORD	DWORD	LWORD	USINT	UINT	UDINT	ULINT	SINT	INT	DINT	LINT	REAL	LREAL	TIME	DATE	TOD	DT	STRING
Set1	OK																			
Reset	OK																			
Q1	OK																			

## Function

The SR instruction forms a self-holding output that gives priority to setting. The following table shows input values and resulting output values.

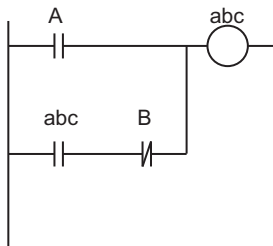
Value of Set1	Value of Reset	Value of Q1
TRUE	TRUE	TRUE
TRUE	FALSE	TRUE
FALSE	TRUE	FALSE
FALSE	FALSE	Not changed.

The following figure shows a programming example and timing chart.



### Additional Information

- The SR instruction behaves like the following self-holding rung.



- However, if the SR instruction is in a master control region and if the master control region is reset, the behavior will not be the same as the above self-holding rung.

Instruction/rung	Value of B	Value of abc
SR instruction	TRUE	Not changed.
	FALSE	FALSE
Self-holding rung	TRUE	FALSE
	FALSE	

### Precautions for Correct Use

- Never use an NC bit directly from an external device for the *Reset* input. The internal power supply in the Controller will not turn OFF immediately when the AC power is interrupted (even for momentary interruptions), and the input from the Input Unit may change to ON first. This could cause the *Reset* input to change to TRUE.
- If this instruction is used in a ladder diagram, the value of *Q1* is retained when an error occurs in the previous instruction on the rung.
- If this instruction is not executed due to execution of a jump instruction (e.g., the JMP instruction), *Q1* retains the value from the last execution.

- If this instruction is in a master control region and the master control region is reset, the operation is as follows:
  - a) If the value of *Reset* is TRUE, the value of *Q1* is retained. If it is FALSE, the value of *Q1* changes to FALSE.
  - b) FALSE is input to the instruction that is connected to *Q1* even if the value of *Q1* is TRUE.
- Even if you connect a parameter with a Retain attribute to *Q1*, the value will not be retained when the power is interrupted. After the power supply is restored, the value of *Q1* will change to FALSE when the operating mode is changed to RUN mode and the instruction is executed. If the self-holding rung given in Additional Information is used, the value is retained even after the power supply is restored.

# Set and Reset

Set : Changes a BOOL variable to TRUE.

Reset : Changes a BOOL variable to FALSE.

Instruction	Name	FB/ FUN	Graphic expression	ST expression
Set	Set	---		None
Reset	Reset	---		None

## Variables

	Meaning	I/O	Description	Valid range	Unit	Default
Out	Output	Output	Output	Depends on data type.	---	---

	Boo lean	Bit strings				Integers							Real num- bers		Times, durations, dates, and text strings					
	BOOL	BYTE	WORD	DWORD	LWORD	USINT	UINT	UDINT	ULINT	SINT	INT	DINT	LINT	REAL	LREAL	TIME	DATE	TOD	DT	STRING
Out	OK																			

## Function

### Set

The Set instruction changes *Out* to TRUE if the input is TRUE.

If *Out* is TRUE, the Set instruction will not change *Out* to FALSE even if the input changes to FALSE.

Use the Reset instruction to change *Out* to FALSE.

The operation is as shown below if you do not specify upward or downward differentiation.

Instruction	Input	Output
Set	TRUE	TRUE
	FALSE	Not changed.

If you specify upward or downward differentiation, the operation depends on the following: the value of the input for the last execution and the current value of the input. This is shown below.



Instruction	Differentiation specification	Value of input at last execution and current value	Output value
Set	Upward differentiation	FALSE at the last execution -> Currently TRUE	TRUE
		Other than the above.	Not changed.
	Downward differentiation	TRUE at the last execution -> Currently FALSE	TRUE
		Other than the above.	Not changed.

## Reset

The Reset instruction changes *Out* to FALSE if the input is TRUE.

If *Out* is FALSE, the Reset instruction will not change *Out* to TRUE even if the input changes to FALSE.

Use the Set instruction to change *Out* to TRUE.

The operation is as shown below if you do not specify upward or downward differentiation.

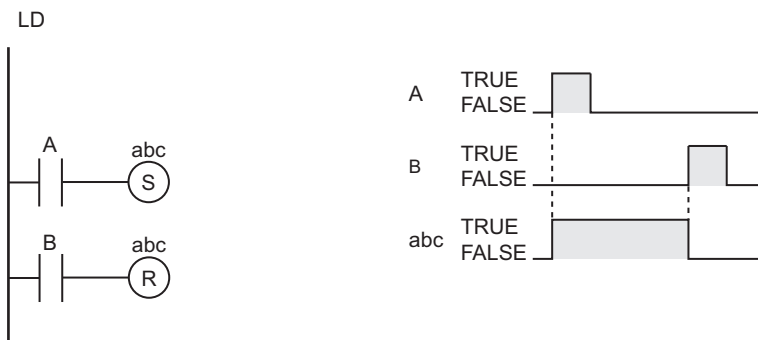
Instruction	Input	Output
Reset	TRUE	FALSE
	FALSE	Not changed.

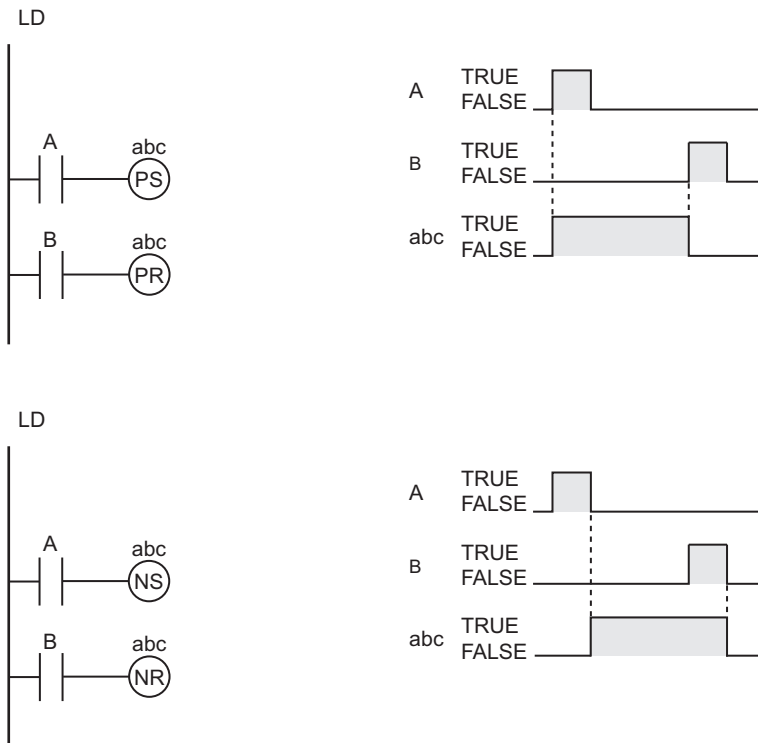
If you specify upward or downward differentiation, the operation depends on the following: the value of the input for the last execution and the current value of the input. This is shown below.

Instruction	Differentiation specification	Value of input at last execution and current value	Output value
Reset	Upward differentiation	FALSE at the last execution -> Currently TRUE	FALSE
		Other than the above.	Not changed.
	Downward differentiation	TRUE at the last execution -> Currently FALSE	FALSE
		Other than the above.	Not changed.

## Programming Example and Timing Chart

The following figures show programming examples and timing charts.





## Additional Information

### Differences between the Set and Reset Instructions and the Out Instruction

- The Set and Reset instructions operate only when the input value changes to TRUE. They do not operate when the input value is FALSE. When the input value is FALSE, the output does not change.
- The Out instruction changes the specified variable to TRUE when the result from the previous instruction is TRUE, and to FALSE when the result from the previous instruction is FALSE. It operates both when the input is TRUE and when it is FALSE.

### Differences between the Set and Reset Instructions and the SR and RS Instructions

The SR and RS instructions require that the *Set* input and *Reset* input are in the same place in the program. You can place the Set and Reset instructions in different places.

## Precautions for Correct Use

- If the Set instruction and the Reset instruction are in a master control region and if the master control region is reset, the value of *Out* is retained.
- If these instructions are not executed due to execution of a jump instruction (e.g., the JMP instruction), the value of *Out* is retained.

- These instructions will not be executed if you specify upward differentiation and if the input is TRUE at the time of power-on. They will be executed only when the input changes to FALSE and then back to TRUE.
- These instructions will be executed if you do not specify upward differentiation and if the input is TRUE at the time of power-on. In this case, it is not necessary to change the input to FALSE before the execution.

# SetBits and ResetBits

- SetBits : Changes consecutive bits in bit string data to TRUE.
- ResetBits : Changes consecutive bits in bit string data to FALSE.

Instruction	Name	FB/ FUN	Graphic expression	ST expression
SetBits	Set Bits	FUN		SetBits(InOut, Pos, Size);
ResetBits	Reset Bits	FUN		ResetBits(InOut, Pos, Size);

## Variables

	Meaning	I/O	Description	Valid range	Unit	Default
InOut	Bit string	In-out	Bit string	Depends on data type.	---	---
Pos	Bit position	Input	Specified bit position	0 to the number of bits in <i>InOut</i> -1	---	0
Size	Number of bits		Number of bits	0 to the number of bits in <i>InOut</i>		1
Out	Return value	Output	Always TRUE	TRUE only	---	---

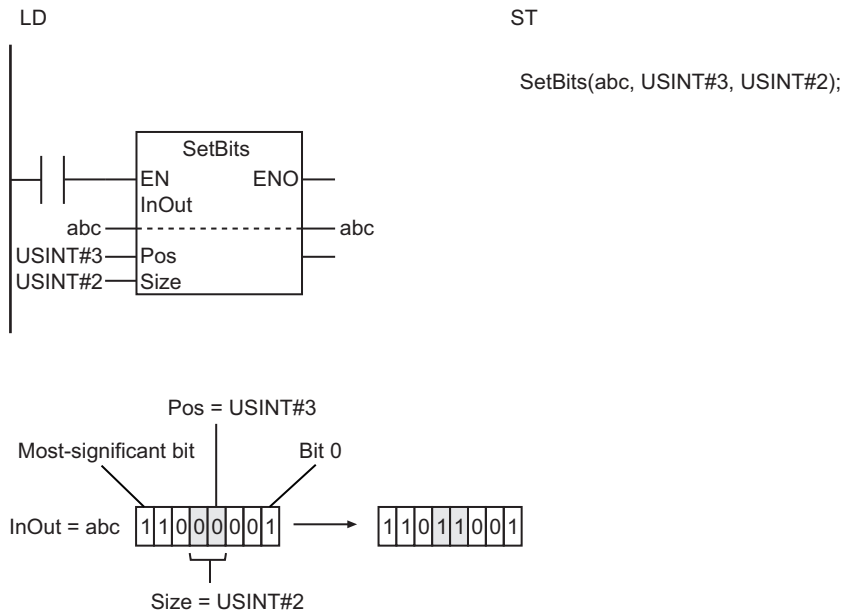
	Boo lean	Bit strings				Integers							Real num- bers		Times, durations, dates, and text strings					
	BOOL	BYTE	WORD	DWORD	LWORD	USINT	UINT	UDINT	ULINT	SINT	INT	DINT	LINT	REAL	LREAL	TIME	DATE	TOD	DT	STRING
InOut		OK	OK	OK	OK															
Pos						OK														
Size						OK														
Out	OK																			

## Function

### SetBits

The SetBits instruction changes the value of *Size* bits from the bit position *Pos* in the bit string *InOut* to TRUE. The status of the other bits will not change.

The following example shows the SetBits instruction when *Pos* is *USINT#3* and *Size* is *USINT#2*.



### ResetBits

The ResetBits instruction changes the value of *Size* bits from the bit position *Pos* in the bit string *InOut* to FALSE. The status of the other bits will not change.

## Additional Information

Use these instructions to globally set variables with AT specification in memory areas that handle data by word (e.g., the DM Area) to TRUE or FALSE.

## Precautions for Correct Use

- If the SetBits instruction and the RestBits instruction are in a master control region and the master control region is reset, the value of *InOut* is retained.
- If these instructions are not executed due to execution of a jump instruction (e.g., the JMP instruction), the value of *InOut* is retained.
- The value of *InOut* does not change if the value of *Size* is 0.
- Return value *Out* is not used when these instructions are used in ST.
- An error will occur in the following cases. *ENO* will be FALSE, and *Out* and *InOut* will not change.
  - a) The value of *Pos* is greater than the number of bits in *InOut* - 1.
  - b) The value of *Size* is outside the valid range.

- c) The value of *Pos* or *Size* exceeds the number of bits in *InOut*.

# SetABit and ResetABit

SetABit : Changes the specified bit in bit string data to TRUE.

ResetABit : Changes the specified bit in bit string data to FALSE.

Instruction	Name	FB/ FUN	Graphic expression	ST expression
SetABit	Set A Bit	FUN		SetABit(InOut, Pos);
ResetABit	Reset A Bit	FUN		ResetABit(InOut, Pos);

## Variables

	Meaning	I/O	Description	Valid range	Unit	Default
InOut	Bit string	In-out	Bit string	Depends on data type.	---	---
Pos	Bit position	Input	Specified bit position	0 to the number of bits in <i>InOut</i> -1	---	0
Out	Return value	Output	Always TRUE	TRUE only	---	---

	Boo lean	Bit strings				Integers							Real num- bers		Times, durations, dates, and text strings					
	BOOL	BYTE	WORD	DWORD	LWORD	USINT	UINT	UDINT	ULINT	SINT	INT	DINT	LINT	REAL	LREAL	TIME	DATE	TOD	DT	STRING
InOut		OK	OK	OK	OK															
Pos						OK														
Out	OK																			

## Function

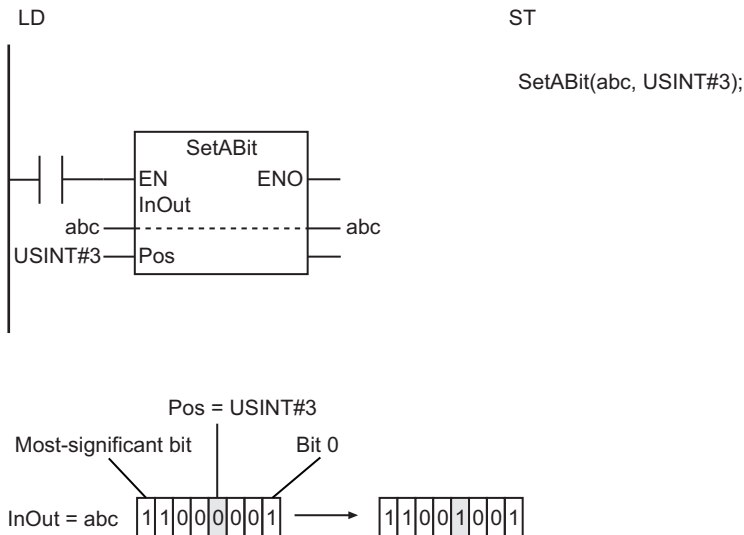
### SetABit

The SetBits instruction changes the value of the bit at bit position *Pos* in the bit string *InOut* to TRUE.

The bits that are not specified do not change.

Even if *EN* changes to FALSE after execution, the *Pos* bit in *InOut* will not change.

The following example shows the SetABit instruction when *Pos* is *USINT#3*.



## ResetABit

The ResetABit instruction changes the value of the bit at bit position *Pos* in the bit string *InOut* to FALSE. The bits that are not specified do not change.

Even if *EN* changes to FALSE after execution, the *Pos* bit in *InOut* will not change.

## Additional Information

### Differences between the SetABit and ResetABit Instructions and the OutABit Instruction

- The SetABit and ResetABit instructions change the value of the specified bit to either TRUE or FALSE.
- With the OutABit instruction, however, you can dynamically change the value to which the specified bit is set.

## Precautions for Correct Use

- If the SetABit instruction and the ResetABit instruction are in a master control region and the master control region is reset, the value of *InOut* is retained.
- If these instructions are not executed due to execution of a jump instruction (e.g., the JMP instruction), the value of *InOut* is retained.
- Return value *Out* is not used when these instructions are used in ST.
- An error will occur in the following case. *ENO* will be FALSE, and *Out* and *InOut* will not change.
  - a) The value of *Pos* is greater than the number of bits in *In* - 1.



# OutABit

The OutABit instruction changes the specified bit in bit string data to TRUE or FALSE.

Instruction	Name	FB/ FUN	Graphic expression	ST expression
OutABit	Output A Bit	FUN		OutABit(InOut, Pos, BitVal);

## Variables

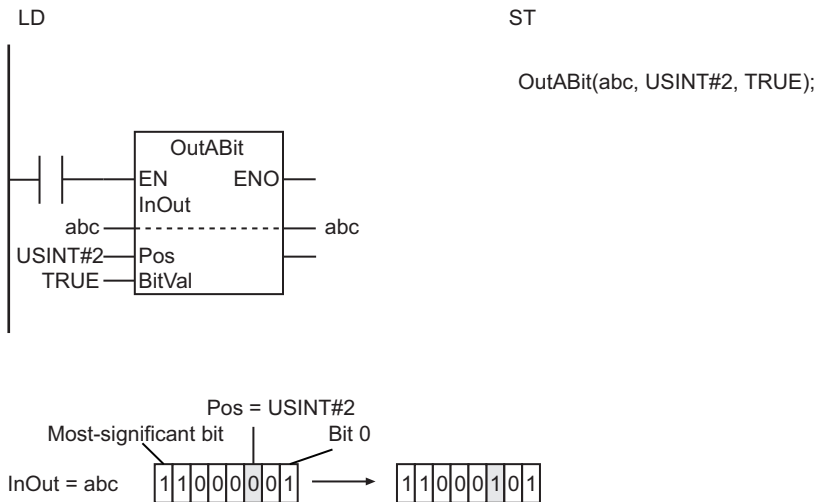
	Meaning	I/O	Description	Valid range	Unit	Default
InOut	Bit string	In-out	Bit string	Depends on data type.	---	---
Pos	Bit position	Input	Specified bit position	0 to the number of bits in <i>InOut</i> -1	---	0
BitVal	Set value		Value to set	Depends on data type.	---	TRUE
Out	Return value	Output	Always TRUE	TRUE only	---	---

	Boo lean	Bit strings				Integers								Real num bers		Times, durations, dates, and text strings				
	BOOL	BYTE	WORD	DWORD	LWORD	USINT	UINT	UDINT	ULINT	SINT	INT	DINT	LINT	REAL	LREAL	TIME	DATE	TOD	DT	STRING
InOut		OK	OK	OK	OK															
Pos						OK														
BitVal	OK																			
Out	OK																			

## Function

The OutABit instruction stores the value of set value *BitVal* at bit position *Pos* in the bit string *InOut*. Only the bit at *Pos* changes.

The following shows an example where *Pos* is *USINT#2* and *BitVal* is TRUE.



## Additional Information

### Differences between the SetABit and ResetABit Instructions and the OutABit Instruction

- The SetABit and ResetABit instructions change the value of the specified bit to either TRUE or FALSE.
- With the OutABit instruction, however, you can dynamically change the value of the specified bit by changing the value of *BitVal*.

## Precautions for Correct Use

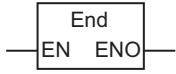
- If this instruction is in a master control region and the master control region is reset, the value of *InOut* is retained.
- If this instruction is not executed due to execution of a jump instruction (e.g., the JMP instruction), the value of *InOut* is retained.
- Return value *Out* is not used when this instruction is used in ST.
- An error will occur in the following case. *ENO* will be FALSE, and *Out* and *InOut* will not change.
  - a) The value of *Pos* is greater than the number of bits in *InOut* - 1.

# Sequence Control Instructions

Instruction	Name	Page
End	End	page 2-74
RETURN	Return	page 2-75
MC and MCR	Master Control Start/Master Control End	page 2-77
JMP	Jump	page 2-90
FOR and NEXT	Repeat Start/Repeat End	page 2-92
BREAK	Break Loop	page 2-99

# End

The End instruction ends execution of a program in the current task period.

Instruction	Name	FB/ FUN	Graphic expression	ST expression
End	End	FUN		None

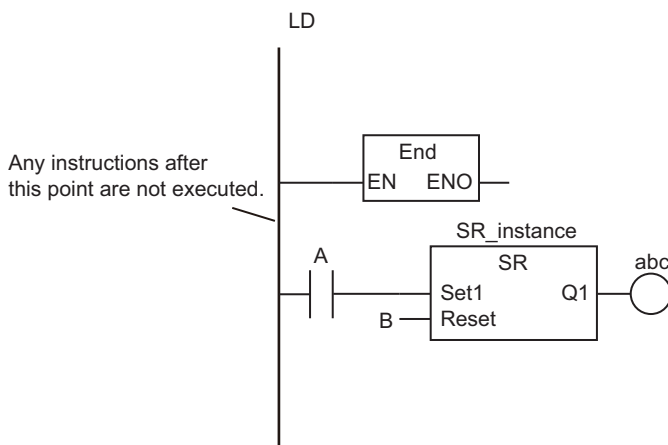
## Variables

None

## Function

The End instruction ends execution of a program in the current task period.

The following figure shows a programming example. When the End instruction is executed in the example, the SR instruction that follows it is not executed.




## Precautions for Correct Use

- This instruction must be used only in a program.
- If this instruction is used in a function, function block, or inline ST, a building error will occur.
- You must connect this instruction to the left bus bar.

# RETURN

The RETURN instruction ends a function or function block and returns processing to the calling instruction.

Instruction	Name	FB/ FUN	Graphic expression	ST expression
RETURN	Return	FUN		None

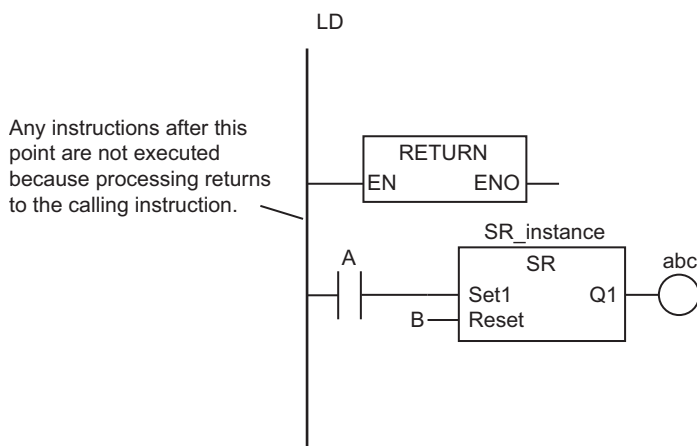
## Variables

None

## Function

The RETURN instruction ends a function or function block and returns processing to the calling instruction.

The following figure shows a programming example. When the RETURN instruction is executed in the example, the SR instruction that follows it is not executed.



## Precautions for Correct Use

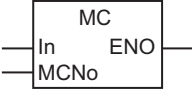
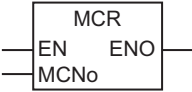
- Observe the following precautions if you use this instruction in a ladder diagram.
  - a) Use this instruction only in functions and function blocks. If you use it in a program, a building error will occur.
  - b) Always connect this instruction directly to the left bus bar.
- Before you execute this instruction, set the return value, output variables, and ENO value of the POU.
- If you use this instruction too often, the flow of processing will be difficult to understand. Use it with caution.

- Refer to the instruction *RETURN* on page 2-45 in the ST Statement Instructions for a description of the RETURN instruction for the ST program and inline ST.

# MC and MCR

MC : Marks the starting point of a master control region and resets the master control region.

MCR : Marks the end point of a master control region.

Instruction	Name	FB/ FUN	Graphic expression	ST expression
MC	Master Control Start	---		None
MCR	Master Control End	---		None

## Variables

	Meaning	I/O	Description	Valid range	Unit	Default
In (MC instruction only)	Master control input	Input	FALSE: Resets the master control region.	Depends on data type.	---	---
MCNo	Master control number		Master control number	0 to 14 <sup>*1</sup>		0

\*1. The number is automatically registered by the Sysmac Studio. You do not need to set it.

	Boolean	Bit strings					Integers							Real numbers		Times, durations, dates, and text strings				
	BOOL	BYTE	WORD	DWORD	LWORD	USINT	UINT	UDINT	ULINT	SINT	INT	DINT	LINT	REAL	LREAL	TIME	DATE	TOD	DT	STRING
In (MC instruction only)	OK																			
MCNo							OK													

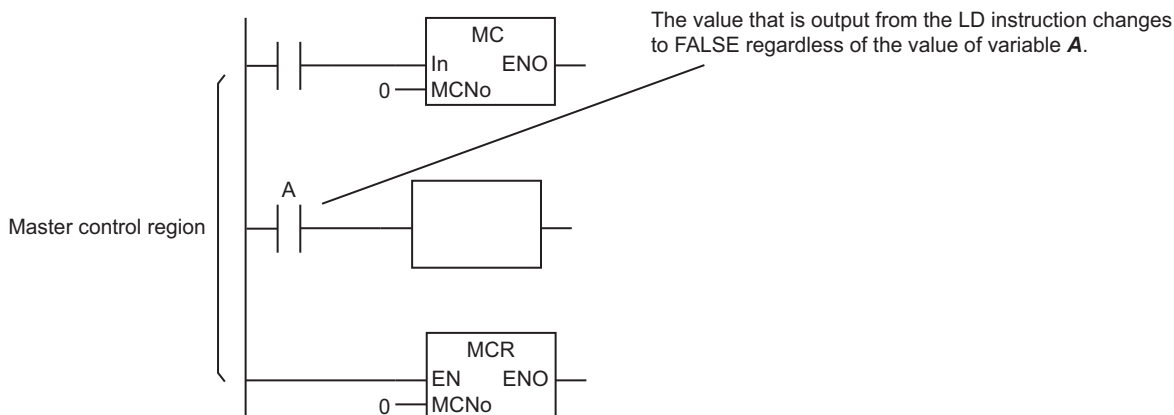
## Function

Master control is used to stop processing or place in an equivalent status all POUs in a specified region of a program.

You can use master control to easily control the execution conditions for a relatively long segment of processing.

The region in the program for which master control is applied is called the master control region. You place the MC instruction at the start of the master control region and the MCR instruction at the end. When the value of the master control input *In* changes to FALSE, the outputs for all the LD instructions that are connected to the left bus bar in the master control region are forced to change to FALSE. This is called a master control reset.

When master control is reset, the POUs that follow the LD instructions, as a rule, operate as if the execution condition is FALSE. There are, however, some POUs that operate differently. This is explained later.



If the value of *In* is TRUE, a master control reset is not performed. The POUs in the master control region operate normally.

### POU Operation during a Master Control Reset

The operation of the POUs when master control is reset depends on the POU as described in the following table.

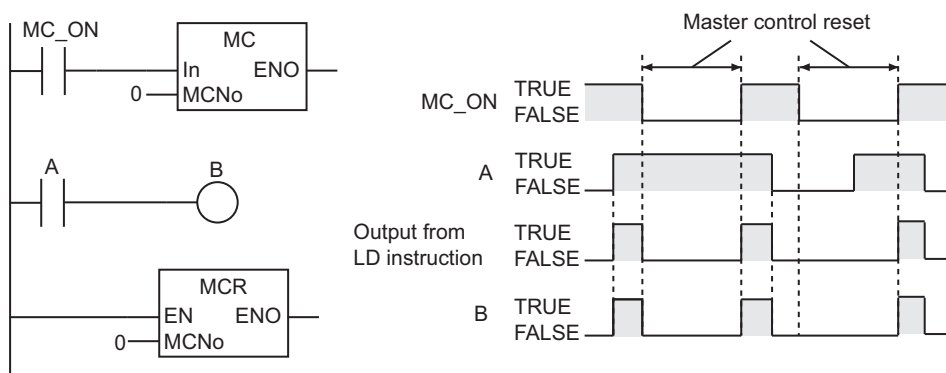
POU	Operation
Out and OutABit instructions	FALSE is output to the specified variable.
OutNot instruction	FALSE is output to the specified variable.
Set and Reset instructions	The output from before the master control reset is retained.
TON instruction	The instruction operates with FALSE for timer input <i>In</i> . That means that the timer is reset. The value of elapsed time <i>ET</i> changes to 0 and the value of timer output <i>Q</i> changes to FALSE.
TOF instruction	The instruction operates with TRUE for timer input <i>In</i> . That means that the timer is reset. The value of elapsed time <i>ET</i> changes to 0 and the value of timer output <i>Q</i> changes to TRUE. However, if the Out instruction is connected to <i>Q</i> , the execution condition to the Out instruction is FALSE.
TP instruction	The instruction operates with FALSE for timer input <i>In</i> . That means that the timer is reset. Timing active : The value of elapsed time <i>ET</i> is incremented to the end and then returns to 0. The value of timer output <i>Q</i> is TRUE until the end of timing, and then it changes to FALSE. Timing not active : The value of <i>ET</i> changes to 0 and the value of <i>Q</i> changes to FALSE. However, if the Out instruction is connected to <i>Q</i> , the execution condition to the Out instruction is FALSE even while timing is active.



POU	Operation
AccumulationTimer instruction	The instruction operates with FALSE for timer input <i>In</i> . That means that the timer stops. The values of elapsed time <i>ET</i> and timer output <i>Q</i> are retained. However, if the Out instruction is connected to <i>Q</i> , the execution condition to the Out instruction is FALSE even if the value of <i>Q</i> is TRUE. However, reset <i>Reset</i> is enabled.
Timer instruction	The instruction operates with FALSE for timer input <i>In</i> . That means that the timer is reset. Remaining time <i>ET</i> is set to the value of set time <i>PT</i> , and the value of timer output <i>Q</i> changes to FALSE.
CTU, CTD, and CTUD instructions	These instructions are not executed. If the instruction was in operation before the master control reset, the count value from before the reset is held. If an Out instruction is connected to the Counter Completion Flag, <i>Q</i> , the execution condition to the Out instruction is FALSE.
JMP instruction	This instruction is not executed.
FOR and NEXT instructions	These instructions are not executed.
BREAK instruction	This instruction is not executed.
Function blocks that are executed over more than one task period (i.e., instructions with <i>Done</i> , <i>Busy</i> , and <i>Error</i> output variables)	The power flow from the left bus bar changes to FALSE. If this instruction is being executed when the master control reset is attempted, the execution is continued until completed. <i>Busy</i> , <i>Done</i> , and <i>Error</i> outputs will be made, but FALSE will always be output if the next instruction is an output instruction. If a variable is directly connected to <i>Busy</i> , <i>Done</i> , or <i>Error</i> , the variable will be assigned a proper value as specified in the instruction specifications. You can also get the value of <i>Busy</i> , <i>Done</i> , or <i>Error</i> in the form of <i>instance_name.output_variable</i> .
Other functions	These are not executed.
Other function blocks	The power flow from the left bus bar changes to FALSE.

## ● Out

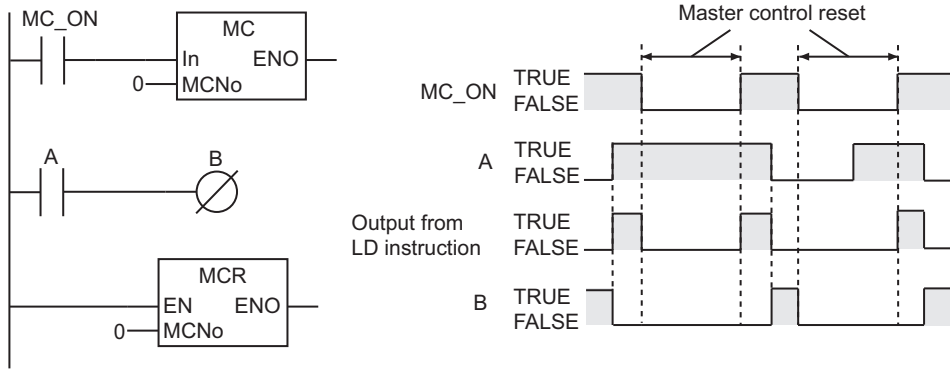
FALSE is output while the master control is reset.



## ● OutNot

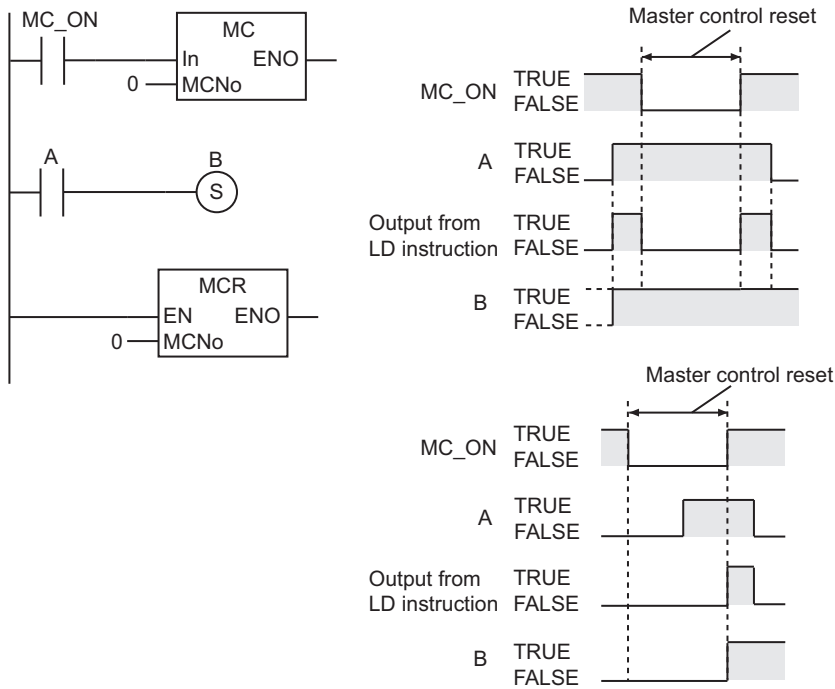
FALSE is output while the master control is reset.

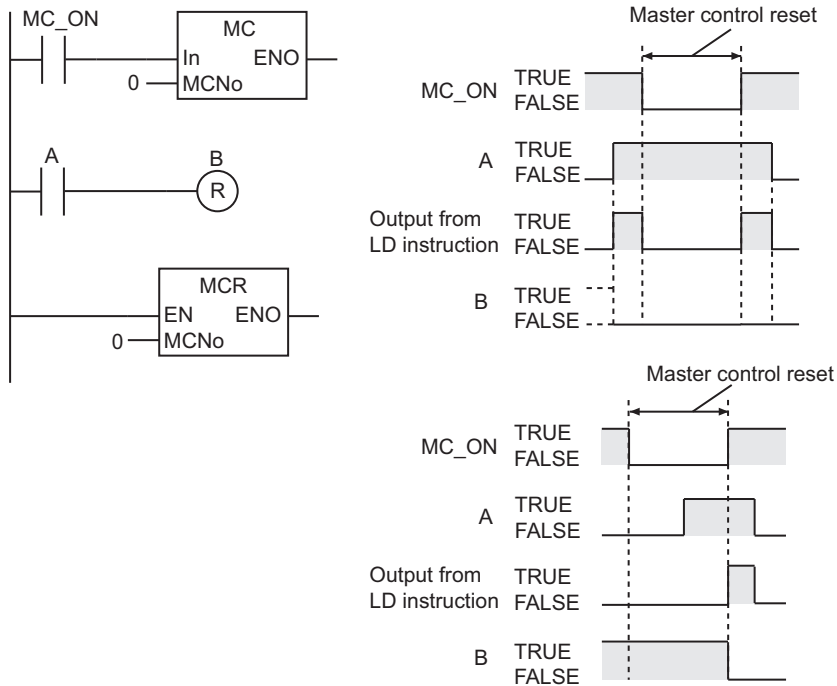
Caution is required because this operation of the OutNot instruction is different from when the output of the previous LD instruction is FALSE.



● Set and Reset

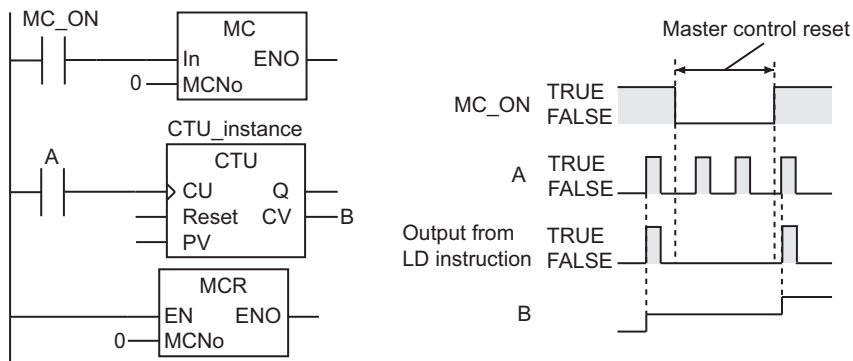
The previous value of the output is retained while the master control is reset.





### ● CTU, CTD, and CTUD

The previous counter value is retained while the master control is reset. When the master control reset is cleared, counting continues from the counter value that was retained.



## Operation of POUs with Input Upward Differentiation or Input Downward Differentiation

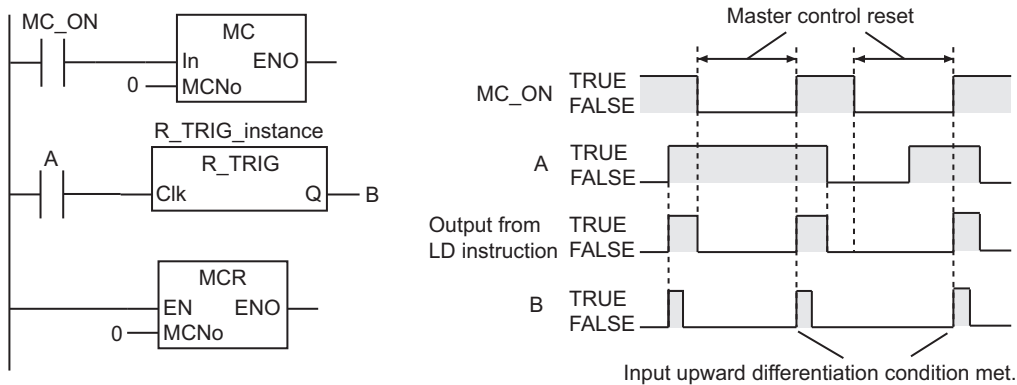
The POUs that are given in the following table have upward or downward differentiation specifications.

Differentiation	Instructions
Input upward differentiation	<ul style="list-style-type: none"> <li>LD, LDN, AND, ANDN, OR, ORN, and Out with upward differentiation specifications</li> <li>R_TRIG (Up)</li> <li>Functions with an @ input upward differentiation option</li> <li>Functions blocks (e.g., counter instructions) with input upward differentiation specifications</li> </ul>
Input downward differentiation	<ul style="list-style-type: none"> <li>LD, LDN, AND, ANDN, OR, ORN, and Out with downward differentiation specifications</li> <li>F_TRIG (Down)</li> </ul>

When the master control is reset or the reset is cleared, the execution conditions for these POU's change. That means that the upward or downward differentiation conditions for these POU's may be met. If the upward or downward differentiation conditions are met, then the instructions are executed accordingly.

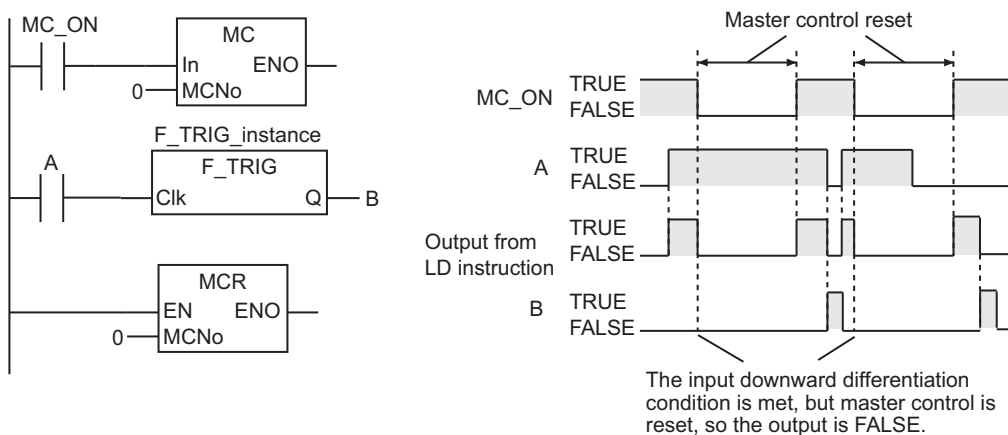
● **R\_TRIG (Up)**

When the master control is reset, the execution condition changes to FALSE. If the execution condition is TRUE when the master control reset is cleared, the input upward differentiation condition is met and the instruction operates accordingly.



● **F\_TRIG (Down)**

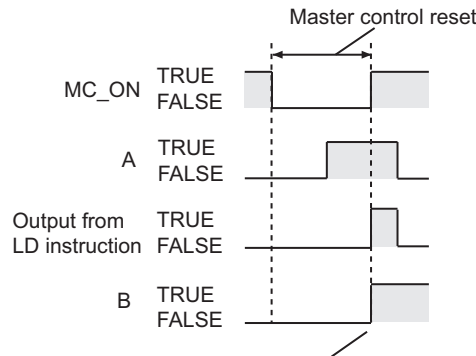
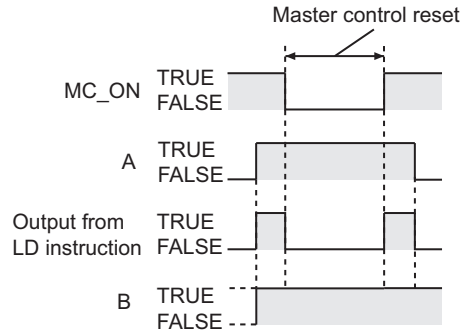
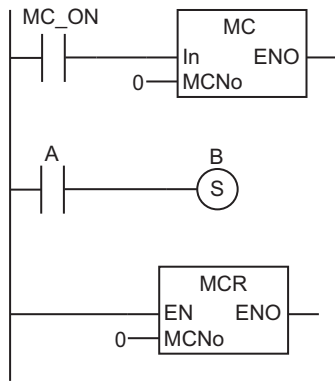
When the master control is reset, the execution condition changes to FALSE. If the previous execution condition was TRUE, then the input downward differentiation condition is met. However, the value of the output from the F\_TRIG (Down) instruction during the master control reset is forced to change to FALSE, so the output value changes to FALSE.



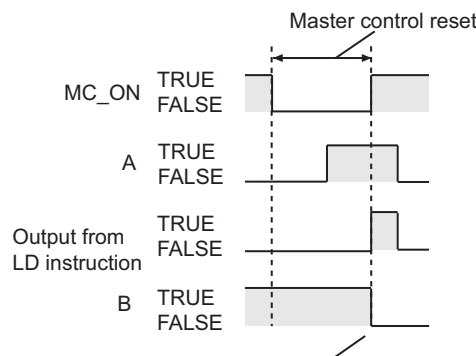
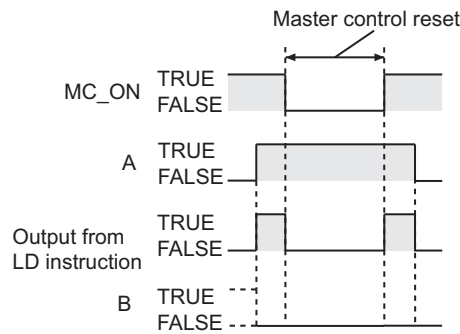
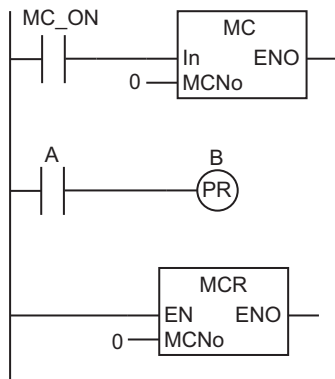
● **Set and Reset with Input Upward Differentiation Specification**

The previous value of the output is retained while the master control is reset.

When the master control reset is cleared, the execution condition changes to TRUE and the instruction operates.



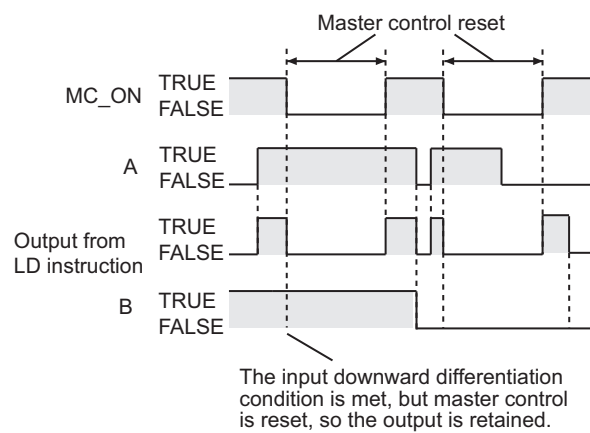
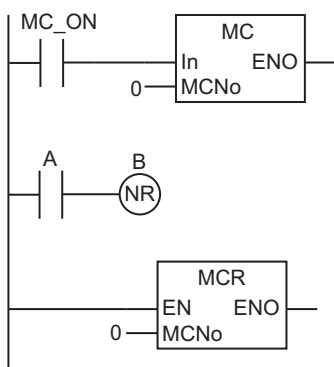
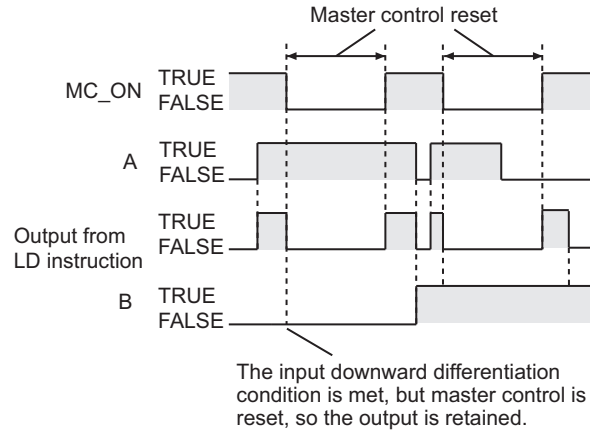
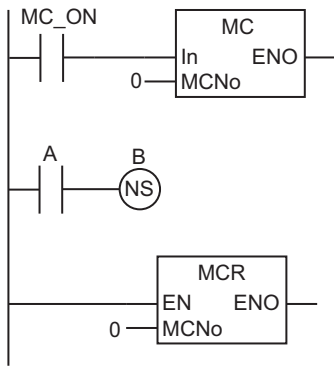
Here, the input upward differentiation condition is met and the output value changes to TRUE.



Here, the input upward differentiation condition is met and the output value changes to FALSE.

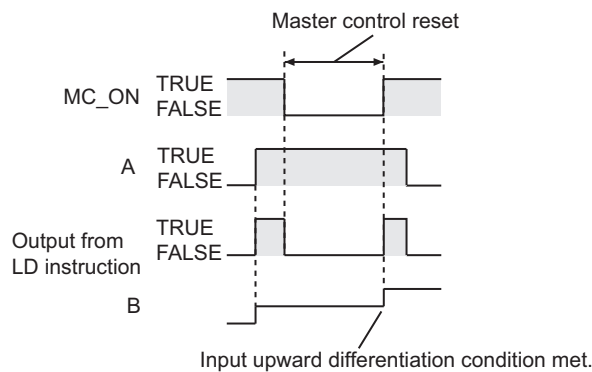
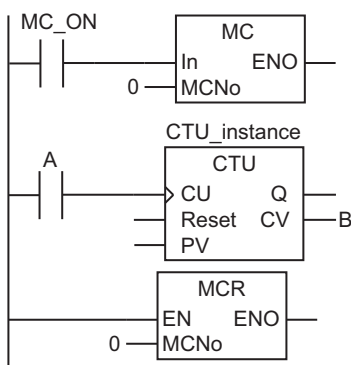
● **Set and Reset with Input Downward Differentiation Specification**

When the master control is reset, the execution condition changes to FALSE. If the previous execution condition was TRUE, then the input downward differentiation condition is met. However, during the master control reset, the previous output value is retained, so as a result the value of the output is retained.



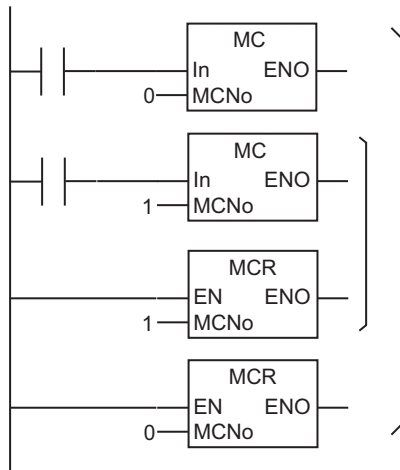
### ● CTU, CTD, and CTUD

When the master control is reset, the value of the counter input changes to FALSE. If the value of the counter input is TRUE when the master control reset is cleared, the input upward differentiation condition is met and the instruction counts.



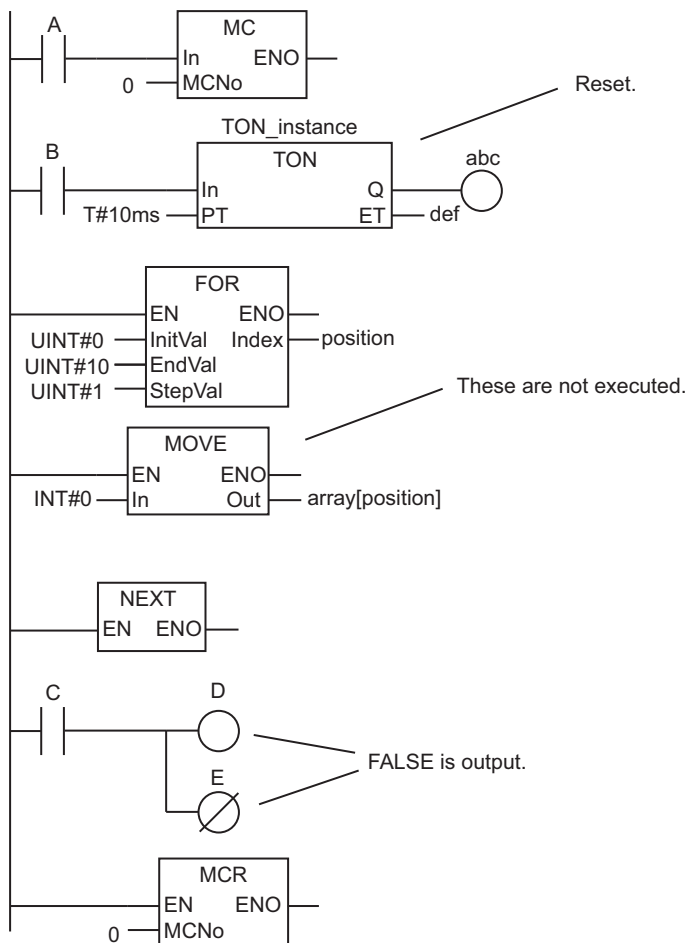
Always use the MC and MCR instructions as a pair in the same POU. The same value is used for master control number *MCNo* for both of the paired MC and MCR instructions. The user does not set the value of *MCNo*. It is automatically registered by the Sysmac Studio.

The MC and MCR instructions can be nested to up to 15 levels.



The following figure shows a programming example.

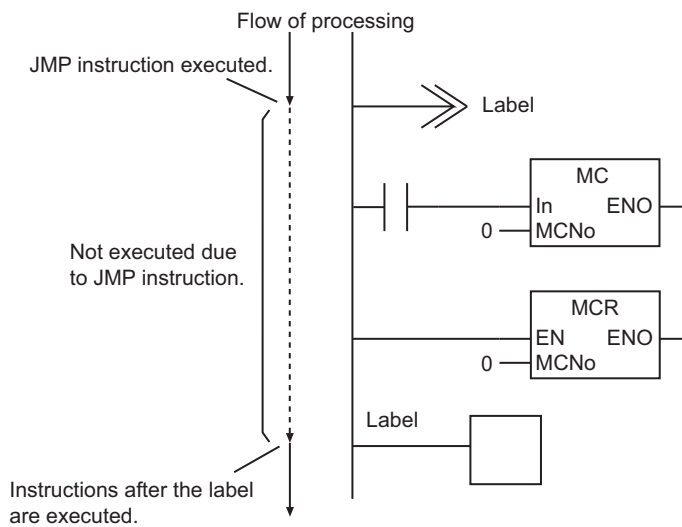
If the value of bit A is FALSE, the master control region is reset. While the master control region is in a reset state, the TON instruction is reset. The MOVE instruction is not executed. Also the Out instruction and OutNot instruction will output FALSE to bits D and E.



### Precautions for Correct Use

- These instructions must be used in a ladder diagram. They cannot be used in ST. They also cannot be used in inline ST in a ladder diagram.

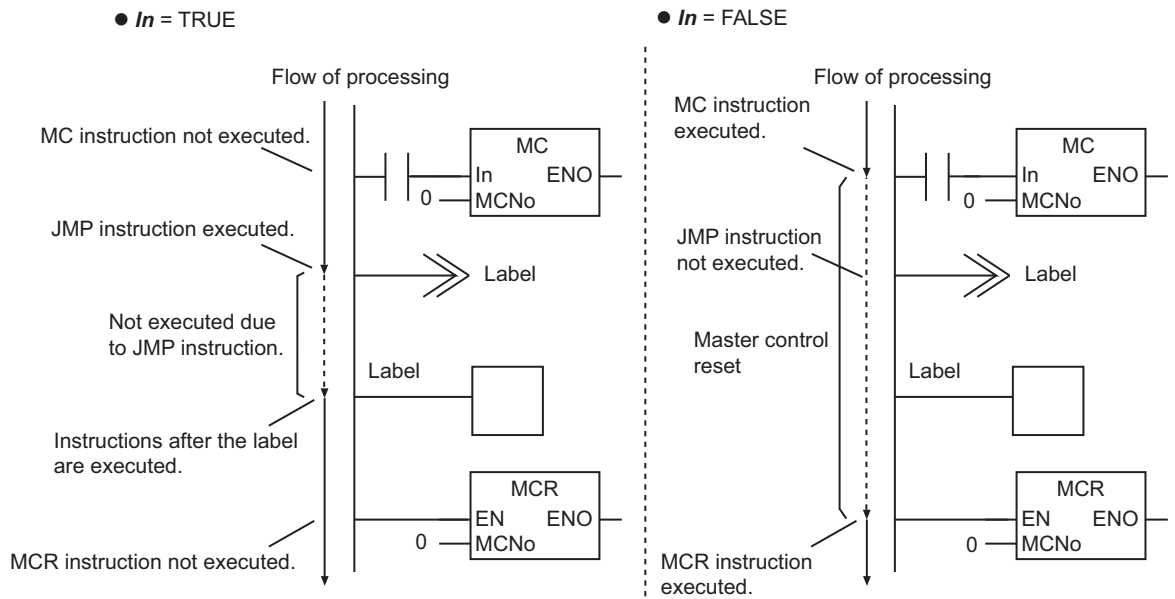
- Always connect *In* directly to the left bus bar. You cannot pass a variable or constant to *In*.
- Always use the MC and MCR instructions as a pair in the same POU.
- Always place the MCR instruction after the MC instruction.
- Do not nest the MC and MCR instructions to more than 15 levels.
- If there is inline ST in the master control region, the inline ST is not executed when the master control region is reset.
- If you use the MC and MCR instructions and the JMP instruction together, the operation is as follows:
  - a) The following figure shows an MC-MCR pair inside a JMP-Label pair. Here, the jump is executed regardless of the value of *In*.



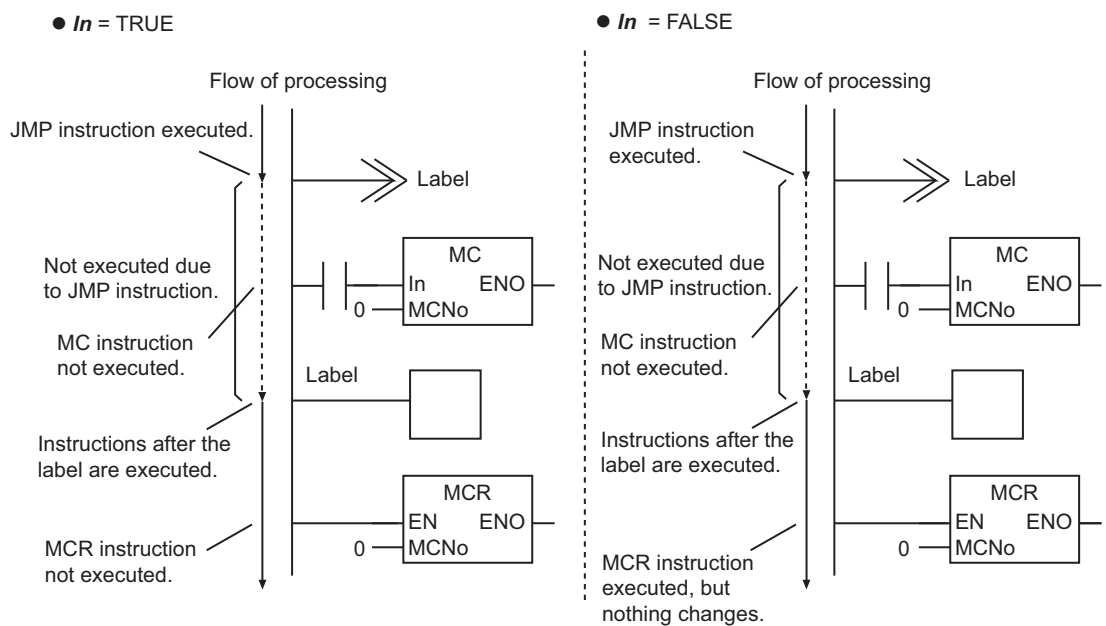
- b) The following figure shows a JMP-Label pair inside an MC-MCR pair. Here, operation is as given in the following table.

Value of <i>In</i>	Operation
TRUE	Master control region is not reset. The jump is made.
FALSE	Master control region is reset. The jump is not made.



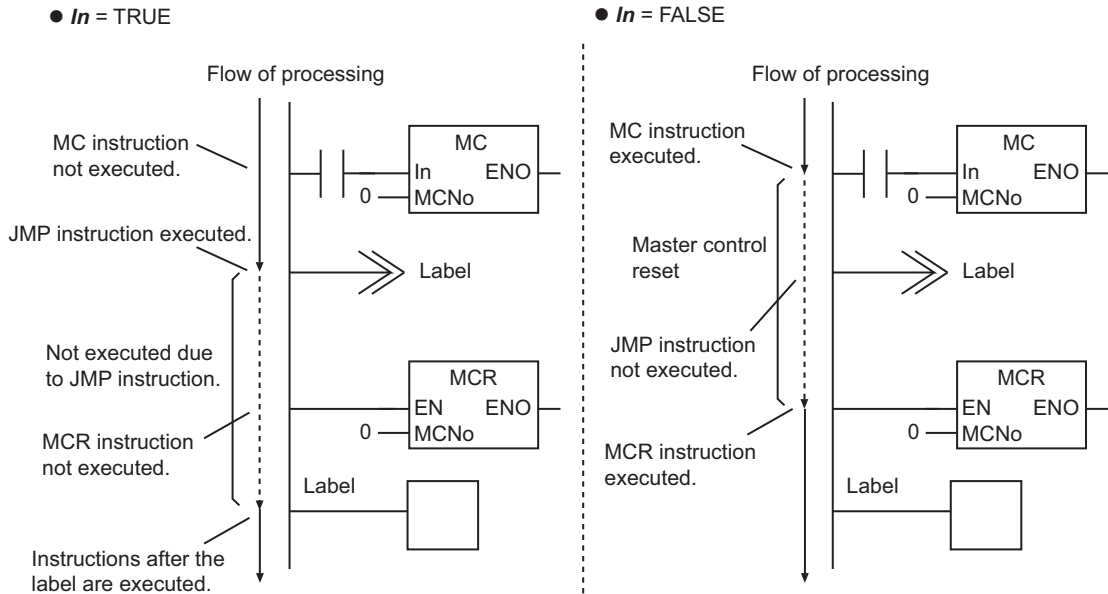


c) In the following figure, the JMP instruction, the MC instruction, a Label, and the MCR instruction are arranged in the stated order. First, the JMP instruction is executed. As a result, the MC instruction is not executed. Therefore, instructions can be executed after the Label. If the value of *In* is FALSE, the MCR instruction is executed, but nothing changes.



d) The instructions are in the following order in the following figure: MC instruction, JMP instruction, MCR instruction, and Label. Here, operation is as given in the following table.

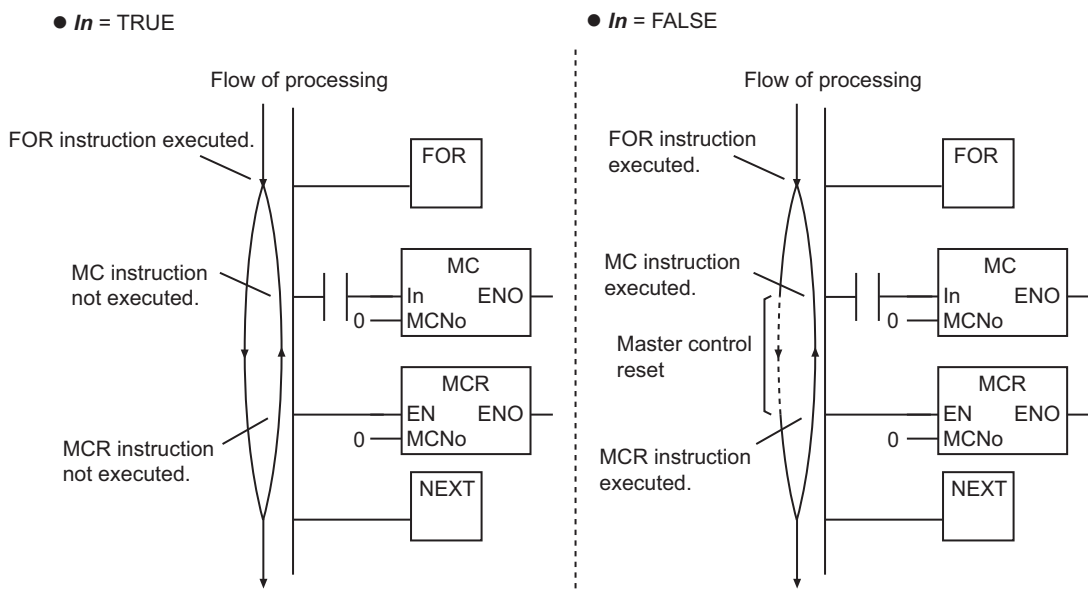
Value of <i>In</i>	Operation
TRUE	Master control region is not reset. The jump is made.
FALSE	Master control region is reset. The jump is not made.



- If you use the MC and MCR instructions and the FOR and NEXT instructions together, the operation is as follows:

- The following figure shows an MC-MCR pair inside a FOR-NEXT pair. Here, operation is as given in the following table.

Value of <i>In</i>	Operation
TRUE	Master control region is not reset. The FOR loop is executed.
FALSE	Master control region is reset. The FOR loop is executed, but the instructions between the MC and MCR instructions are not executed.

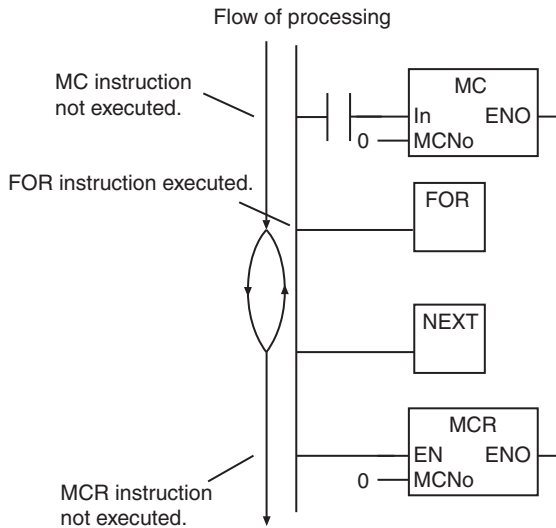


- The following figure shows a FOR-NEXT pair inside an MC-MCR pair. Here, operation is as given in the following table.

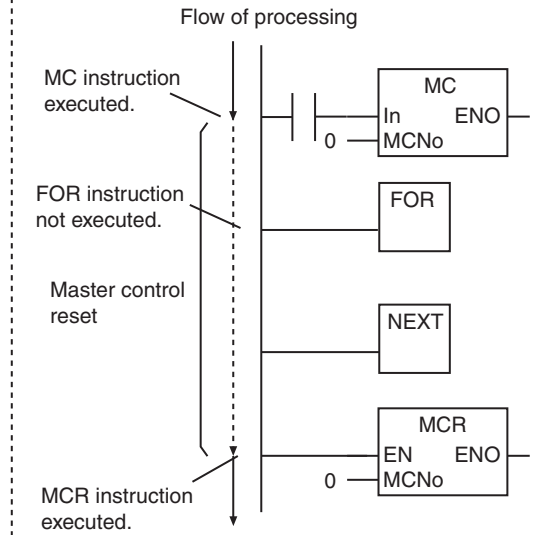
Value of <i>In</i>	Operation
TRUE	Master control region is not reset. The FOR loop is executed.

Value of <i>In</i>	Operation
FALSE	Master control region is reset. The FOR loop is not executed.

● *In* = TRUE




● *In* = FALSE



- c) A building error occurs if the FOR, NEXT, MC, and MCR instructions are used in either of the following orders.  
FOR, MC, NEXT, MCR, or MC, FOR, MCR, NEXT

# JMP

The JMP instruction moves processing to the specified jump destination.

Instruction	Name	FB/ FUN	Graphic expression	ST expression
JMP	Jump	FUN	 Label	None

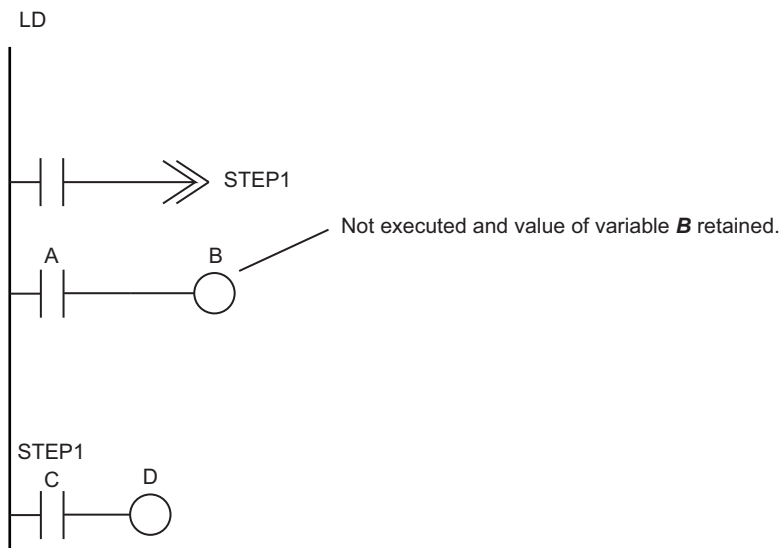
## Variables

None

## Function

When the execution condition is TRUE, the JMP instruction moves processing to the jump destination specified by a Label in a ladder diagram. The label can be any text string.

The following figure shows a programming example. This example uses the text string *STEP1* as the label. When the JMP instruction is executed, processing moves to the location marked *STEP1*. In this example, the Out instruction between the JMP instruction and the Label is not executed, and the value of variable *B* is retained.



## Additional Information

- You can also jump to a Label instruction above the JMP instruction in the section.
- You can use the same Label instruction as the jump destination for more than one JMP instruction.

## Precautions for Correct Use

- You cannot omit labels. If you omit a label, a building error will occur.

- Place the JMP and Label instructions in the same POU and in the same section.
- Do not set the same Label instruction more than once in the same section.
- You cannot jump into a FOR-NEXT loop from outside the loop.
- The following restrictions apply to the characters that can be used as labels.

Item	Specification
Maximum number of bytes	127 bytes 127 characters when converted to ACSII 31 characters when converted to Japanese characters (including single-byte kana)
Character code	UTF-8
Applicable characters	Not case sensitive. English alphanumeric characters and other language characters. Symbols: _ (underbar) and ~ (tilde)
Prohibited text strings	<ul style="list-style-type: none"> <li>• Any text string that starts with ASCII characters 0 to 9 (character codes 16#30 to 16#39)</li> <li>• A text string that consists of only a single _ (underbar) ASCII character</li> <li>• Any text string that includes two or more consecutive _ (underbar) ASCII characters</li> <li>• Any text string that starts with an _ (underbar) ASCII character</li> <li>• Any text string that ends with an _ (underbar) ASCII character</li> <li>• Any text string that starts with P_</li> </ul>
Prohibited characters	Blank space ! " # \$ & ' ( ) * + , - . / : ; < = > ? @ [ ] ^ ` %

- Variable names cannot be used as labels.

# FOR and NEXT

FOR : Marks the starting position for repeat processing and specifies the repeat condition.

NEXT : Marks the ending position for repeat processing.

Instruction	Name	FB/ FUN	Graphic expression	ST expression
FOR	Repeat Start	FUN		<pre>FOR Index:=InitVal TO EndVal BY StepVal DO   expression END_FOR*;</pre>
NEXT	Repeat End	FUN		<p>* In ST, do not use <i>NEXT</i> to mark the ending position of repeat processing. Use <i>END_FOR</i> instead.</p>

## Variables

	Meaning	I/O	Description	Valid range	Unit	Default
InitVal	Initial value	Input	Value to set the <i>Index</i> to when repetition is started.	Depends on data type.*1	---	*2
EndVal	End value		Value of <i>Index</i> where repetition is stopped			
StepVal	Increment		Value to add to <i>Index</i> each time processing is repeated	Depends on data type.*3		*4
Index	Control variable	Output	Loop index	Depends on data type.	---	---

\*1. When using a ladder diagram, set *InitVal* so that it is less than *EndVal*.

\*2. If you omit an input parameter, the default value is not applied. A building error will occur.

\*3. When using a ladder diagram, 0 and negative numbers are not included. When using an ST program, 0 is not included.

\*4. If you omit the input parameter in a ladder diagram, the default value is not applied. A building error will occur. If you omit the input parameter in ST, a default value of 1 is applied.

	Boo lean	Bit strings				Integers							Real num bers		Times, durations, dates, and text strings						
	BOOL	BYTE	WORD	DWORD	LWORD	USINT	UINT	UDINT	ULINT	SINT	INT	DINT	LINT	REAL	LREAL	TIME	DATE	TOD	DT	STRING	
InitVal						OK	OK	OK	OK	OK	OK	OK	OK								
	An enumeration, array element or structure member can also be specified.*1																				
EndVal						OK	OK	OK	OK	OK	OK	OK	OK								
	An array element or structure member can also be specified.																				
StepVal						OK	OK	OK	OK	OK	OK	OK	OK								
	An array element or structure member can also be specified.																				

	Boo lean	Bit strings				Integers							Real num- bers		Times, durations, dates, and text strings					
	BOOL	BYTE	WORD	DWORD	LWORD	USINT	UINT	UDINT	ULINT	SINT	INT	DINT	LINT	REAL	LREAL	TIME	DATE	TOD	DT	STRING
Index						OK	OK	OK	OK	OK	OK	OK	OK							
An array element or structure member can also be specified.																				

\*1. You cannot specify enumerations in ladder diagrams.

## Function

The FOR and NEXT instructions repeat the processing that you place between them. (FOR and END\_FOR are used in ST.)

The processing procedure for a FOR-NEXT loop is as follows:

- 1 The value of *InitVal* is set in control variable *Index*.
- 2 The values of *StepVal*, *Index*, and *EndVal* are checked to see if the conditions in the following table are met. If the conditions are met, processing moves to step 3. If the conditions are not met, repeat processing is not performed, and processing moves to the next process after the NEXT instruction (or END\_FOR in ST).

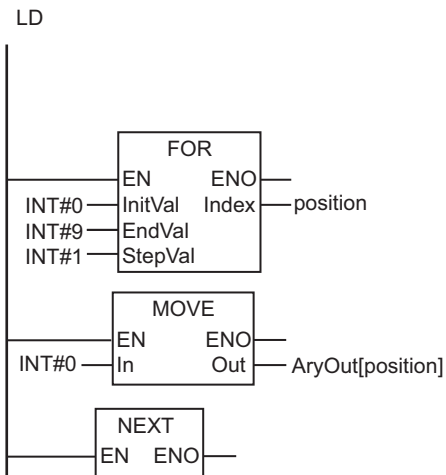
Programming language	Conditions to start repeat processing
Ladder diagram	$StepVal \geq 0$ and $Index \leq EndVal$
ST	$StepVal \geq 0$ and $Index \leq EndVal$
	$StepVal < 0$ and $Index \geq EndVal$

- 3 The values of *Index* and *EndVal* are checked to see if the conditions in the following table are met. If the conditions are met, processing moves to step 4. If the conditions are not met, repeat processing is ended, and processing moves to the next process after the NEXT instruction (or END\_FOR in ST).

Programming language	Conditions to continue repeat processing
Ladder diagram	$Index \leq EndVal$
ST	If $StepVal \geq 0$ , <i>Index</i> must be $\leq EndVal$
	If $StepVal < 0$ , <i>Index</i> must be $\geq EndVal$

- 4 The processing between the FOR instruction and the NEXT instruction (or the END\_FOR instruction in ST) is executed once.
- 5 The value of *StepVal* is added to *Index*.
- 6 Processing returns to step 3.

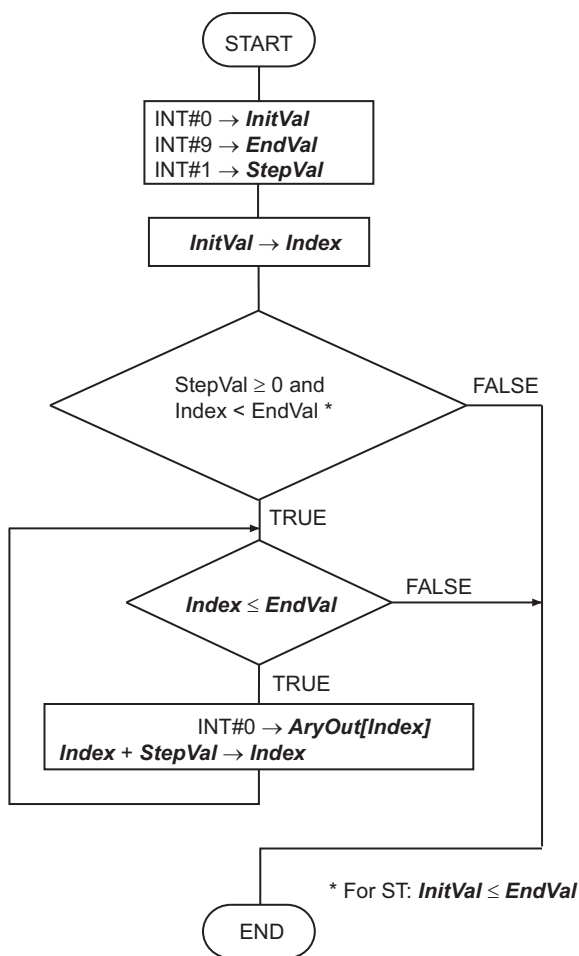
The following example is for when *InitVal* is INT#0, *EndVal* is INT#9, and *StepVal* is INT#1. The MOVE instruction is executed 10 times and INT#0 is assigned to array variables AryOut[0] to AryOut[9].



ST

```

FOR position:=INT#0 TO INT#9 BY INT#1 DO
  AryOut[position]:=INT#0;
END_FOR;
    
```



INT#0 is assigned in order to **AryOut[0]** to **AryOut[9]**.

AryOut[0]	INT#0
AryOut[1]	INT#0
AryOut[2]	INT#0
AryOut[3]	INT#0
AryOut[4]	INT#0
AryOut[5]	INT#0
AryOut[6]	INT#0
AryOut[7]	INT#0
AryOut[8]	INT#0
AryOut[9]	INT#0

## ST Programming Example That Uses Expressions or Functions for Input Variables.

If you use these instructions in an ST program, you can use the following notation for the *InitVal*, *EndVal*, and *StepVal* input variables.

- An expression with an integer result
- A function that returns an integer
- A function that returns an enumerator



The following shows an example with *EndVal* for the function and *StepVal* for the expression.

```
A:= DINT#1;
B:= DINT#2;
C:= REAL#9.6;
FOR i := 0 TO RoundUp(C) BY A+B DO
    DINTArray[i]:= i;
END_FOR;
```



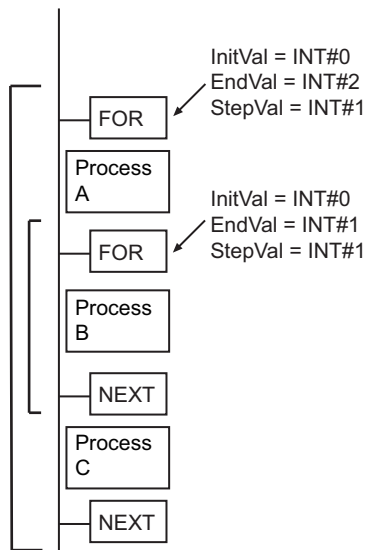
### Version Information

Symac Studio version 1.08 or higher is required to use expressions for *EndVal* and *StepVal*. You can use an expression for *InitVal* even with Symac Studio version 1.07 or lower.

## Additional Information

- Execute the BREAK instruction (or the EXIT instruction in ST) to cancel repeat processing. The processing between the BREAK instruction and the NEXT instruction will not be executed.
- FOR-NEXT loops (or FOR-END\_FOR loops in ST) can be nested. In the following figure, the processes are performed in the following order.

Process A → Process B → Process B → Process C → Process A → Process B → Process B →  
Process C → Process A → Process B → Process B → Process C



## Precautions for Correct Use

- In a ladder diagram, connect the FOR and NEXT instructions directly to the left bus bar.
- Always use the FOR and NEXT instructions (FOR and END\_FOR statements in ST) as a pair. A programming error will occur if there is not the same number of both instructions.
- Program the paired FOR and NEXT instructions in the same section.
- Set the condition to end repetition carefully so that you do not create an infinite loop. If an infinite loop occurs, task execution will time out.

If the values that are given in the following table are used for the input parameters to the variables, the value of *Index* will never be greater than the value of *EndVal* because the maximum value of SINT data is 127. Therefore, an infinite loop is created.

Do not set the maximum value for the data type in *EndVal*.

Variable	Value of input parameter
InitVal	SINT#0
EndVal	SINT#127
StepVal	SINT#1
Index	---

- The following table describes operation according to the values of *StepVal*, *InitVal*, and *EndVal*.

Programming language	Value of <i>StepVal</i>	Values of <i>InitVal</i> and <i>EndVal</i>	Operation	
Ladder diagram	StepVal > 0	InitVal ≤ EndVal	Operation is normal.	
		InitVal > EndVal	The processing between the FOR and NEXT instructions is not executed even once. An error does not occur.	
	StepVal < 0	InitVal < EndVal	The processing between the FOR and NEXT instructions is executed an indeterminate number of times. Do not use settings like these. An error does not occur.	
		InitVal ≥ EndVal	The processing between the FOR and NEXT instructions is not executed even once. An error does not occur.	
	StepVal = 0	InitVal < EndVal	An infinite loop occurs and task execution times out.	
		InitVal ≥ EndVal	The processing between the FOR and NEXT instructions is not executed even once. An error does not occur.	
	ST	StepVal > 0	InitVal ≤ EndVal	Operation is normal.
			InitVal > EndVal	The processing between the FOR and END_FOR instructions is not executed even once. An error does not occur.
StepVal < 0		InitVal < EndVal	The processing between the FOR and END_FOR instructions is not executed even once. An error does not occur.	
		InitVal ≥ EndVal	Operation is normal.	
StepVal = 0		InitVal ≤ EndVal	An infinite loop occurs and task execution times out.	
		InitVal > EndVal	The processing between the FOR and END_FOR instructions is not executed even once. An error does not occur.	

- The FOR-NEXT loops can be nested up to 15 levels, but count all nesting levels for the following instructions: IF, CASE, FOR, WHILE, and REPEAT.
- If loops are nested, you will need one BREAK instruction (or one EXIT instruction in ST) for each nesting level to cancel all repeat processing.
- Do not use Jump Instructions (e.g., the JMP instruction) to interrupt repeat processing. Always use the BREAK instruction (or the EXIT instruction in ST) to cancel repeat processing.
- The operation to change the values of *InitVal*, *EndVal*, and *StepVal* during repeat processing is different in a ladder diagram and ST.

Variable	Operation	
	Ladder diagram	ST
InitVal	The new value is not applied until repeat processing is completed.	The new value is not applied until repeat processing is completed.
EndVal	The new value is applied even during repeat processing.	
StepVal	The intended operation may not occur. Do not change the value of this variable during repeat processing.	

- In a ladder diagram, use the same data type for *InitVal*, *EndVal*, *StepVal*, and *Index*. Otherwise, a building error will occur.
- Set the data type of *Index* to include the valid ranges of *InitVal*, *EndVal*, and *StepVal*. Otherwise, a building error will occur.
- The value of *Index* after repeat processing is different in a ladder diagram and ST. In a ladder diagram, the value of *StepVal* is not added to *Index* at the end of repeat processing. In ST, the value of *StepVal* is added to *Index* at the end of repeat processing. Processing is repeated the same number of times.

The following example is for when *InitVal* is 1, *EndVal* is 100 and *StepVal* is 1.

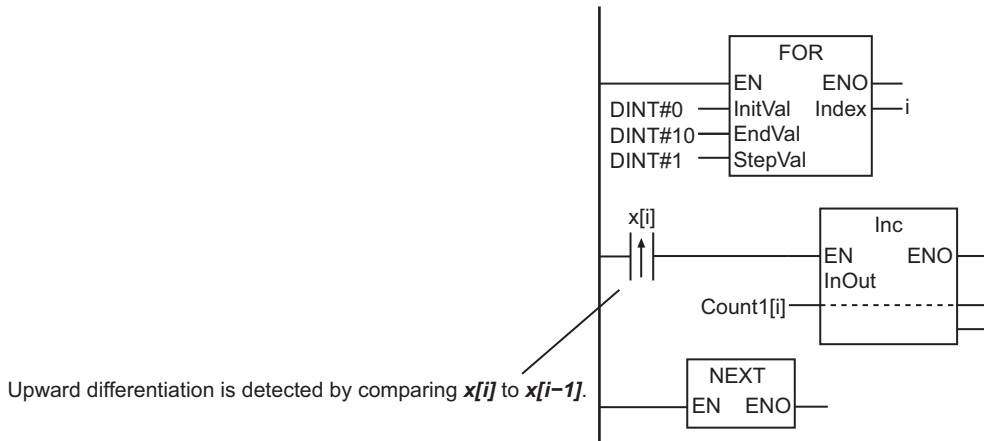
Ladder diagram : The value of *Index* will be 100 after 100 repetitions.

ST : The value of *Index* will be 101 after 100 repetitions.

- Caution is required when you specify upward or downward differentiation for a LD, AND, or OR instruction in a FOR loop in a ladder diagram and an array is used for the LD, AND, or OR instruction. For upward or downward differentiation, the value of the specified variable at the previous execution is compared with the value of the specified variable at the current execution to determine upward or downward differentiation. Normally, the value of the specified variable does not change every time the instruction is executed. However, if an array is specified in a FOR loop, the array element changes each time the instruction is executed. Therefore, upward or downward differentiation is determined by comparing different array elements.

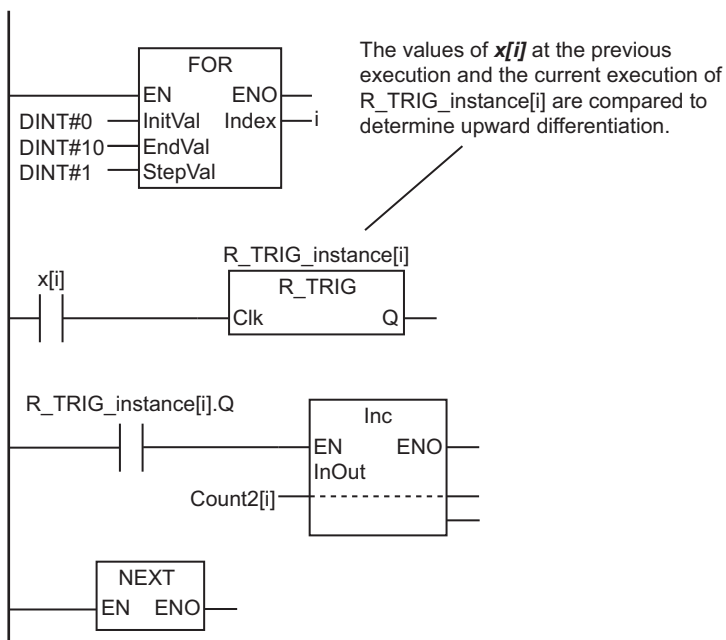
The following table shows the relationship between the values of  $x[i-1]$  and  $x[i]$ , and the increment processing for  $\text{Count1}[i]$ .

Value of $x[i-1]$	Value of $x[i]$	Increment processing for $\text{Count1}[i]$
TRUE	TRUE	Not executed.
TRUE	FALSE	Not executed.
FALSE	TRUE	Executed.
FALSE	FALSE	Not executed.




- In the following programming, upward differentiation of  $x[i]$  is detected by the R\_TRIG instruction. An instance of the R\_TRIG instruction is provided for each element of  $x[i]$ , so it is possible to detect the elements of  $x[i]$  for which there was upward differentiation. The following table shows the relationship between the value of  $x[i]$  for the previous execution of R\_TRIG\_instance[i], the value of  $x[i]$  for the current execution of R\_TRIG\_instance[i], and the increment processing of Count2[i].

Value of $x[i]$ for previous execution of R_TRIG_instance[i]	Value of $x[i]$ for current execution of R_TRIG_instance[i]	Increment processing for Count2[i]
TRUE	TRUE	Not executed.
TRUE	FALSE	Not executed.
FALSE	TRUE	Executed.
FALSE	FALSE	Not executed.



# BREAK

The BREAK instruction cancels repeat processing from the innermost FOR instruction to the NEXT instruction.

Instruction	Name	FB/ FUN	Graphic expression	ST expression
BREAK	Break Loop	FUN		None

## Variables

None

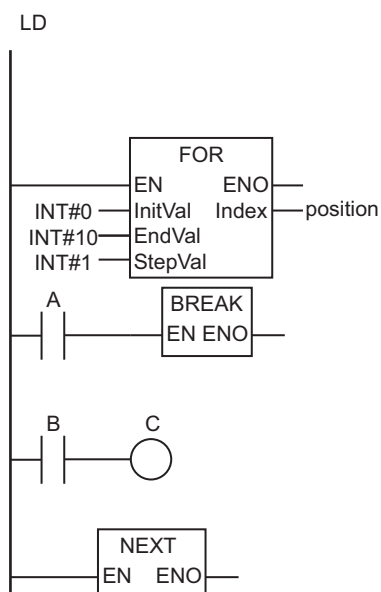
## Function

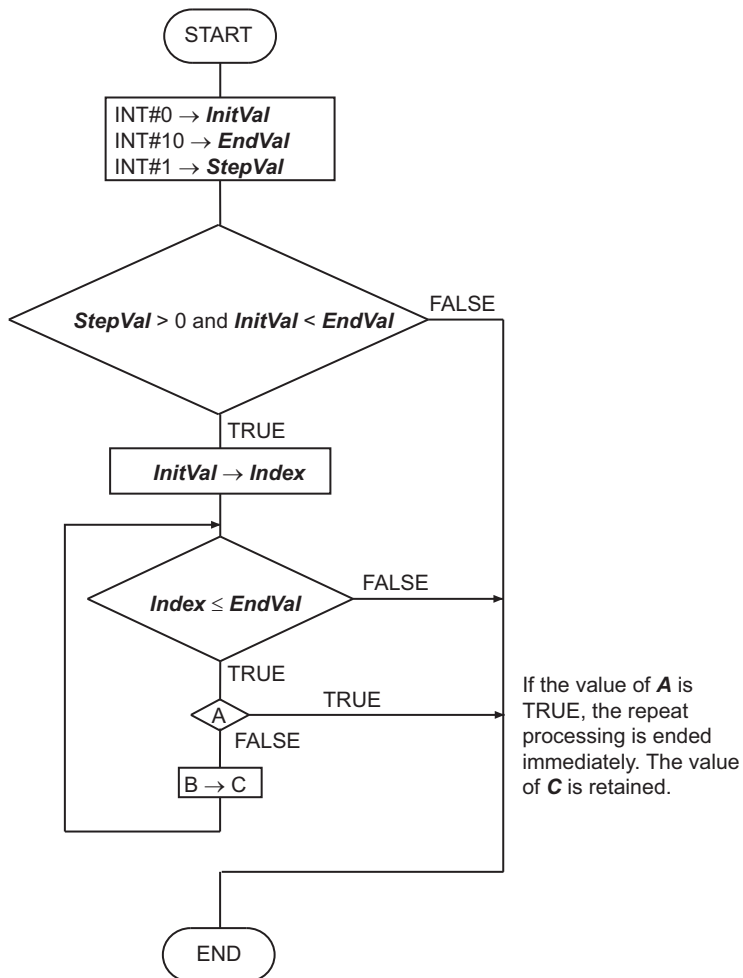
The BREAK instruction cancels the repeat processing from the lowest level FOR instruction to the NEXT instruction. It moves processing to the next instruction after the NEXT instruction.

The processing between the BREAK instruction and the NEXT instruction is not executed.

The following figure shows a programming example. When the FOR loop is executed, the value of variable A is checked each time. If the value of variable A is TRUE, the repeat processing is ended immediately.

In this example, the Out instruction after the BREAK instruction is not executed, and the value of variable C is retained.





## Precautions for Correct Use

- Always place this instruction between the FOR and NEXT instructions.
- If you nest FOR and NEXT instructions, one BREAK instruction is required for each nesting level to end all of the repeat processing.
- Do not use Jump Instructions (e.g., the JMP instruction) to interrupt repeat processing. Always use the BREAK instruction to cancel repeat processing.

# Comparison Instructions

Instruction	Name	Page
EQ (=)	Equal	page 2-102
NE (<>)	Not Equal	page 2-105
LT (<), LE (<=), GT (>), and GE (>=)	Less Than/Less Than Or Equal/Greater Than/Greater Than Or Equal	page 2-108
EQascii	Text String Comparison Equal	page 2-111
NEascii	Text String Comparison Not Equal	page 2-113
LTascii, LEascii, GTascii, and GEascii	Text String Comparison Less Than/Text String Comparison Less Than or Equal/Text String Comparison Greater Than/Text String Comparison Greater Than or Equal	page 2-115
Cmp	Compare	page 2-118
ZoneCmp	Zone Comparison	page 2-120
TableCmp	Table Comparison	page 2-122
AryCmpEQ and AryCmpNE	Array Comparison Equal/ Array Comparison Not Equal	page 2-125
AryCmpLT, AryCmpLE, AryCmpGT, and AryCmpGE	Array Comparison Less Than/Array Comparison Less Than Or Equal/ Array Comparison Greater Than/Array Comparison Greater Than Or Equal	page 2-127
AryCmpEQV and AryCmpNEV	Array Value Comparison Equal/Array Value Comparison Not Equal	page 2-130
AryCmpLTV, AryCmpLEV, AryCmpGTV, and AryCmpGEV	Array Value Comparison Less Than/Array Value Comparison Less Than Or Equal/Array Value Comparison Greater Than/Array Value Comparison Greater Than Or Equal	page 2-132

# EQ (=)

The EQ (=) instruction determines if the values of two or more variables are all equivalent.

Instruction	Name	FB/ FUN	Graphic expression	ST expression
EQ(=)	Equal	FUN		$\text{Out} := (\text{In1} = \text{In2}) \& (\text{In2} = \text{In3}) \& \dots \& (\text{InN-1} = \text{InN});$

## Variables

	Meaning	I/O	Description	Valid range	Unit	Default
In1 to InN	Comparison data	Input	Values to compare N = 2 to 5	Depends on data type.	---	0*1
Out	Comparison result	Output	Comparison result	Depends on data type.	---	---

- \*1. If you omit the input parameter that connects to *InN*, the default value is not applied, and a building error will occur. For example, if N is 3 and the input parameters that connect to *In1* and *In2* are omitted, the default values are applied, but if the input parameter that connects to *In3* is omitted, a building error will occur.

	Boo lean	Bit strings					Integers							Real num- bers		Times, durations, dates, and text strings				
	BOOL	BYTE	WORD	DWORD	LWORD	USINT	UINT	UDINT	ULINT	SINT	INT	DINT	LINT	REAL	LREAL	TIME	DATE	TOD	DT	STRING
In1 to InN	OK	OK	OK	OK	OK	OK	OK	OK	OK	OK	OK	OK	OK	OK	OK	OK *1	OK *1	OK *1	OK *1	OK *1
	Enumerations can also be specified.																			
Out	OK																			

- \*1. You can specify TIME, DATE, TOD, DT, and STRING data with Sysmac Studio version 1.02 or higher. If you open a project that was created with Sysmac Studio version 1.01 or lower on Sysmac Studio version 1.02 or higher and then use any of these data types, refresh the display. To refresh the display, right-click the instruction in the Edit Pane and select **Update**. If you do not refresh the display, a building error will occur.

## Function

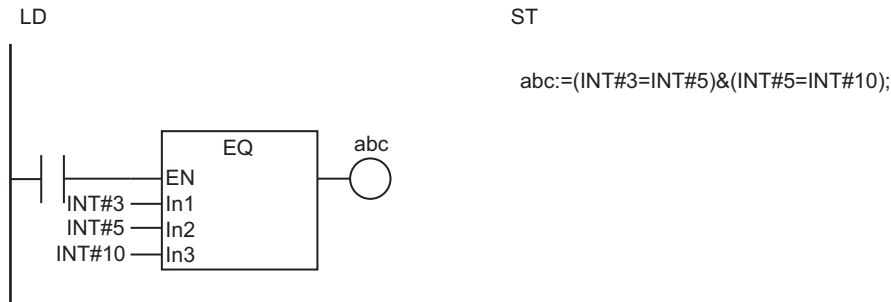
The EQ (=) instruction determines if the contents of from two to five variables *In1* to *InN* are all equivalent.

The comparison result *Out* is TRUE only when all values are equivalent. Otherwise, the value of *Out* is FALSE.

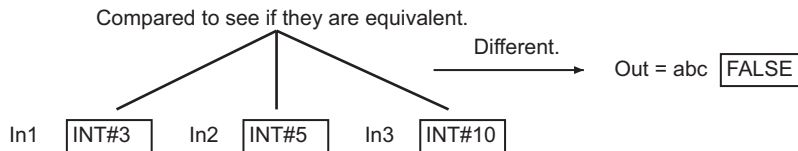


When comparing STRING data, "equivalent" means that both the lengths and contents of the text strings are the same.

The following example is for when *In1* is INT#3, *In2* is INT#5 and *In3* is INT#10. The value of variable *abc* will be FALSE.



The EQ instruction determines if *In1* to *In3* are all equivalent. If they are different, the value of *abc* will be FALSE.



## Additional Information

- The functions of the EQ instruction and the = instruction are exactly the same. Use the form that is easier to use.
- When you compare TIME, DT, or TOD data, adjust the accuracy of their values so that the comparison can be based on the same accuracy. Use the following instructions to adjust the accuracy: *TruncTime* on page 2-702, *TruncDt* on page 2-706, and *TruncTod* on page 2-710.

## Precautions for Correct Use

- If the data types of *In1* to *InN* are different, they will be expanded to a data type that includes the ranges of all of the data types.
- You cannot compare bit string data (BYTE, WORD, DWORD, or LWORD) with integers (SINT, INT, DINT, LINT, USINT, UINT, UDINT, and ULINT). You cannot compare bit string data to real number data (REAL and LREAL).
- Signed integers (SINT, INT, DINT, and LINT) cannot be compared to unsigned integers (USINT, UINT, UDINT, and ULINT).
- Always compare data with the same data type for TIME, DATE, TOD, DT, and STRING data. If variables with different data types are specified, a building error will occur.
- You can compare enumerations only to other enumerations. The data types must also be the same to compare enumerations.
- Two values that are positive infinity or two values that are negative infinity are equivalent.
- If any of the values of *In1* to *InN* is nonnumeric data, the value of *Out* is FALSE.
- If this instruction is used in a ladder diagram, the value of *Out* changes to FALSE if an error occurs in the previous instruction on the rung.

- If *In1* to *InN* are real numbers, the desired results may not be achieved due to rounding error. Do not use this instruction to check if two values are equal when one or more of them is a real number. Use a value comparison instruction and check to see if the difference in the absolute values is within the allowable range. For example, the following programming can be used to check to see if the sum of REAL variables *real\_a* and *real\_b* is equal to 0.1. If the value of BOOL variable *boolv* is TRUE, the two values are considered to be equal.

```
boolv:=(ABS((real_a + real_b) - 0.1) < threshold);
```

threshold: Value for allowable range

# NE (<>)

The NE (<>) instruction determines if the values of two variables are not equivalent.

Instruction	Name	FB/ FUN	Graphic expression	ST expression
NE(<>)	Not Equal	FUN		Out:=(In1<>In2);

## Variables

	Meaning	I/O	Description	Valid range	Unit	Default
In1 and In2	Comparison data	Input	Values to compare	Depends on data type.	---	*1
Out	Comparison result	Output	Comparison result	Depends on data type.	---	---

\*1. If you omit an input parameter, the default value is not applied. A building error will occur.

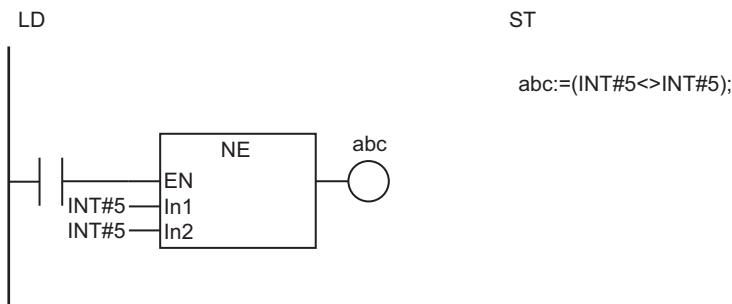
	Boo lean	Bit strings				Integers							Real num- bers		Times, durations, dates, and text strings					
	BOOL	BYTE	WORD	DWORD	LWORD	USINT	UINT	UDINT	ULINT	SINT	INT	DINT	LINT	REAL	LREAL	TIME	DATE	TOD	DT	STRING
In1 and In2	OK	OK	OK	OK	OK	OK	OK	OK	OK	OK	OK	OK	OK	OK	OK	OK *1	OK *1	OK *1	OK *1	OK *1
	Enumerations can also be specified.																			
Out	OK																			

\*1. You can specify TIME, DATE, TOD, DT, and STRING data with Sysmac Studio version 1.02 or higher. If you open a project that was created with Sysmac Studio version 1.01 or lower on Sysmac Studio version 1.02 or higher and then use any of these data types, refresh the display. To refresh the display, right-click the instruction in the Edit Pane and select **Update**. If you do not refresh the display, a building error will occur.

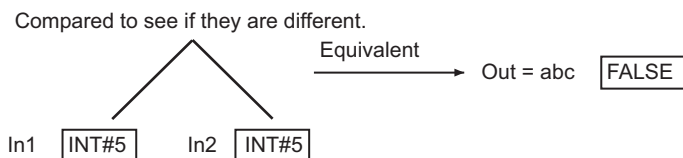
## Function

The NE (<>) instruction determines if the contents of two variables *In1* and *In2* are not equivalent. If they are not equivalent, the comparison result *Out* is TRUE. If they are equivalent, it is FALSE. When comparing STRING data, "equivalent" means that both the lengths and contents of the text strings are the same.

The following example is for when *In1* equals *In2* (both have a value of INT#5). The value of variable *abc* will be FALSE.



The NE instruction determines if **In1** and **In2** are different. If they are the same, the value of **abc** will be FALSE.



## Additional Information

- The functions of the NE instruction and the <> instruction are exactly the same. Use the form that is easier to use.
- When you compare TIME, DT, or TOD data, adjust the accuracy of their values so that the comparison can be based on the same accuracy. Use the following instructions to adjust the accuracy: *TruncTime* on page 2-702, *TruncDt* on page 2-706, and *TruncTod* on page 2-710.

## Precautions for Correct Use

- If the data types of *In1* and *In2* are different, the smaller one is expanded to a data type that includes the ranges of both of the data types.
- You cannot compare bit string data (BYTE, WORD, DWORD, or LWORD) with integers (SINT, INT, DINT, LINT, USINT, UDINT, ULINT). You cannot compare bit string data with real number data (REAL and LREAL).
- Signed integers (SINT, INT, DINT, and LINT) cannot be compared to unsigned integers (USINT, UINT, UDINT, and ULINT).
- Always compare data with the same data type for TIME, DATE, TOD, DT, and STRING data. If variables with different data types are specified, a building error will occur.
- You can compare enumerations only to other enumerations. The data types must also be the same to compare enumerations.
- Two values that are positive infinity or two values that are negative infinity are equivalent.
- If the value of either *In1* or *In2* is nonnumeric data, the value of *Out* is TRUE.
- If this instruction is used in a ladder diagram, the value of *Out* changes to FALSE if an error occurs in the previous instruction on the rung.
- If *In1* and *In2* are real numbers, the desired results may not be achieved due to rounding error. Do not use this instruction to check if two values are different when one or both of them is a real number. Use a value comparison instruction and check to see if the difference in the absolute values is greater than the allowable range. For example, the following programming can be used to check to

see if the sum of REAL variables *real\_a* and *real\_b* is not equal to 0.1. If the value of BOOL variable *boolv* is TRUE, the two values are considered to be not equal.

*boolv*:= (ABS((*real\_a* + *real\_b*) - 0.1) > *threshold*);

*threshold*: Value for allowable range

# LT (<), LE (<=), GT (>), and GE (>=)

These instructions compare the sizes of two or more values.

- LT (<) : Performs a less than comparison.
- LE (<=) : Performs a less than or equal comparison.
- GT (>) : Performs a greater than comparison.
- GE (>=) : Performs a greater than or equal comparison.

Instruction	Name	FB/ FUN	Graphic expression	ST expression
LT(<)	Less Than	FUN		Out:=(In1<In2) & (In2<In3) & ... & (InN-1<InN);
LE(<=)	Less Than Or Equal	FUN		Out:=(In1<=In2) & (In2<=In3) & ... & (InN-1<=InN);
GT(>)	Greater Than	FUN		Out:=(In1>In2) & (In2>In3) & ... & (InN-1>InN);
GE(>=)	Greater Than Or Equal	FUN		Out:=(In1>=In2) & (In2>=In3) & ... & (InN-1>=InN);

## Variables

	Meaning	I/O	Description	Valid range	Unit	Default
In1 to InN	Comparison data	Input	Values to compare N = 2 to 5	Depends on data type.	---	*1
Out	Comparison result	Output	Comparison result	Depends on data type.	---	---

- \*1. If you omit the input parameter that connects to *InN*, the default value is not applied, and a building error will occur. For example, if N is 3 and the input parameters that connect to *In1* and *In2* are omitted, the default values are applied, but if the input parameter that connects to *In3* is omitted, a building error will occur.

	Boo lean	Bit strings					Integers							Real num- bers		Times, durations, dates, and text strings				
	BOOL	BYTE	WORD	DWORD	LWORD	USINT	UINT	UDINT	ULINT	SINT	INT	DINT	LINT	REAL	LREAL	TIME	DATE	TOD	DT	STRING
In1 to InN		OK *1	OK *1	OK *1	OK *1	OK	OK	OK	OK	OK	OK	OK	OK	OK	OK	OK *1	OK *1	OK *1	OK *1	OK *1
Out	OK																			

- \*1. You can specify BYTE, WORD, DWORD, LWORD, TIME, DATE, TOD, DT, and STRING data with Sysmac Studio version 1.02 or higher. If you open a project that was created with Sysmac Studio version 1.01 or lower on Sysmac Studio version 1.02 or higher and then use any of these data types, refresh the display. To refresh the display, right-click the instruction in the Edit Pane and select **Update**. If you do not refresh the display, a building error will occur.

## Function

These instructions compare the data in *In1* to *InN* (N = 2 to 5).

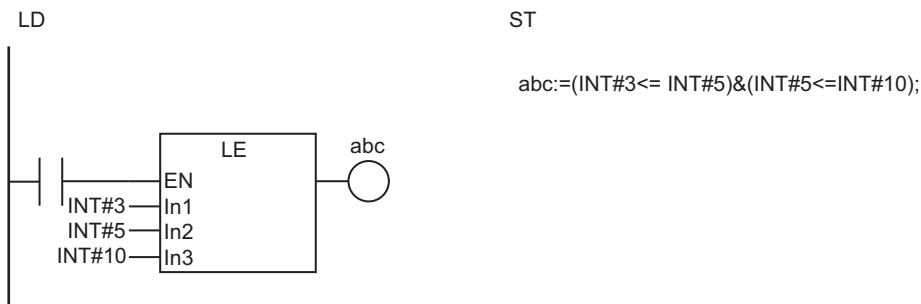
The output value *Out* is shown below for each instruction.

Instruction	Value of <i>Out</i>
LT (<)	If $In1 < In2 < \dots < InN$ , <i>Out</i> is TRUE. Otherwise, it is FALSE.
LE (<=)	If $In1 \leq In2 \leq \dots \leq InN$ , <i>Out</i> is TRUE. Otherwise, it is FALSE.
GT (>)	If $In1 > In2 > \dots > InN$ , <i>Out</i> is TRUE. Otherwise, it is FALSE.
GE (>=)	If $In1 \geq In2 \geq \dots \geq InN$ , <i>Out</i> is TRUE. Otherwise, it is FALSE.

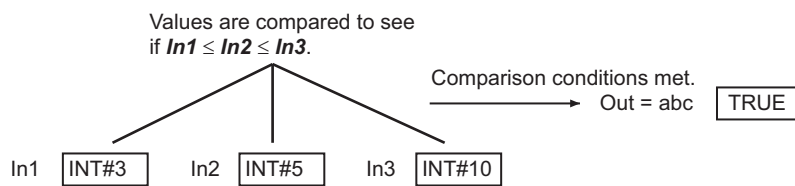
The relationship between values with data types that are not integers or real numbers are determined as given in the following table.

Data type	Relationship
BYTE, WORD, DWORD, or LWORD	The data is compared as unsigned integers.
TIME	The numerically larger value is considered to be larger.
DATE, TOD, or DT	Later dates or times of day are considered to be larger.
STRING	The specifications are the same as for the instructions, <i>LTascii</i> , <i>LEascii</i> , <i>GTascii</i> , and <i>GEascii</i> on page 2-115. Refer to the specified page for details.

The following example shows the LE instruction when *In1* is INT#3, *In2* is INT#5 and *In3* is INT#10. The value of variable *abc* will be TRUE.



The LE instruction determines if  $In1 \leq In2 \leq In3$ .  
If the comparison conditions are met, the value of *abc* will be TRUE.



## Additional Information

- The functions of the LT and < instructions, the LE and <= instructions, the GT and > instructions, and the GE and >= instructions are exactly the same. Use the form that is easier to use.
- When you compare TIME, DT, or TOD data, adjust the accuracy of their values so that the comparison can be based on the same accuracy. You can use the following instructions to adjust the accuracy: *TruncTime* on page 2-702, *TruncDt* on page 2-706, and *TruncTod* on page 2-710.

## Precautions for Correct Use

- If the data types of *In1* to *InN* are different, they will be cast to a data type which can accommodate every possible value in all the types before comparison.
- Signed integers (SINT, INT, DINT, and LINT) cannot be compared to unsigned integers (USINT, UINT, UDINT, and ULINT).
- You cannot compare bit string data (BYTE, WORD, DWORD, or LWORD) with integers (SINT, INT, DINT, LINT, USINT, UINT, UDINT, or ULINT). You cannot compare bit string data with real number data (REAL or LREAL).
- Always compare data with the same data type for TIME, DATE, TOD, DT, and STRING data. If variables with different data types are specified, a building error will occur.
- If *In1* to *InN* are real numbers and include any non-terminating decimal numbers, error may cause unexpected processing results.
- Two values that are positive infinity or two values that are negative infinity are equivalent.
- If any of the values of *In1* to *InN* is nonnumeric data, the value of *Out* is FALSE.
- If this instruction is used in a ladder diagram, the value of *Out* changes to FALSE when an error occurs in the previous instruction on the rung.



# EQascii

The EQascii instruction determines if two or more text strings are all equivalent.

Instruction	Name	FB/ FUN	Graphic expression	ST expression
EQascii	Text String Comparison Equal	FUN		Out:=EQascii(In1, ·, InN);

## Variables

	Meaning	I/O	Description	Valid range	Unit	Default
In1 to InN	Comparison text strings	Input	Text strings to compare N = 2 to 5	Depends on data type.	---	"*1
Out	Comparison result	Output	Comparison result	Depends on data type.	---	---

- \*1. If you omit the input parameter that connects to *InN*, the default value is not applied, and a building error will occur. For example, if N is 3 and the input parameters that connect to *In1* and *In2* are omitted, the default values are applied, but if the input parameter that connects to *In3* is omitted, a building error will occur.

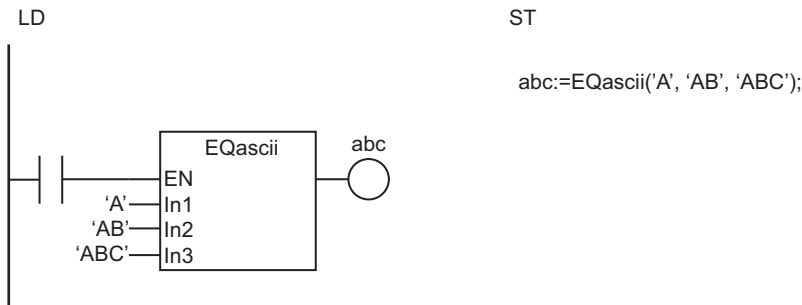
	Boo lean	Bit strings				Integers							Real numbers		Times, durations, dates, and text strings					
	BOOL	BYTE	WORD	DWORD	LWORD	USINT	UINT	UDINT	ULINT	SINT	INT	DINT	LINT	REAL	LREAL	TIME	DATE	TOD	DT	STRING
In1 to InN																				OK
Out	OK																			

## Function

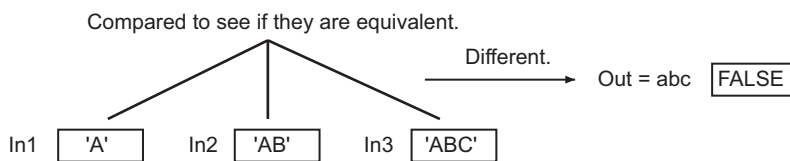
The EQascii instruction determines if two to five text strings *In1* to *InN* are all equivalent. If they are all equivalent, comparison result *Out* changes to TRUE. Otherwise, the value of *Out* is FALSE.

"Equivalent" means that both the lengths and contents of the text strings are the same.

The following example is for when *In1* is 'A', *In2* is 'AB', and *In3* is 'ABC'. The value of variable *abc* will be FALSE.



The EQascii instruction determines if *In1* to *In3* are all equivalent. If they are different, the value of *abc* will be FALSE.



### Additional Information

The text string comparison instructions are convenient when you want to reorder text strings according to the character codes. For example, the character codes for alphabet characters are in the same order as the alphabet characters. This allows you to alphabetize.



#### Version Information

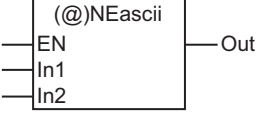
With Sysmac Studio version 1.02 or higher, the instruction, *EQ (=)* on page 2-102, can also be used to compare text strings. The specifications of the *EQ (=)* instruction for comparing text strings are the same as those of the *EQascii* instruction.

### Precautions for Correct Use

- Do not use this instruction as the rightmost instruction on a rung. If you do, an error occurs on the Sysmac Studio and you cannot transfer the user program to the Controller.
- If this instruction is used in a ladder diagram, the value of *Out* changes to FALSE when an error occurs in the previous instruction on the rung.
- Specify text strings that contain only ASCII characters for *In1* to *InN*.

# NEascii

The NEascii instruction determines if two text strings are not equivalent.

Instruction	Name	FB/ FUN	Graphic expression	ST expression
NEascii	Text String Comparison Not Equal	FUN		Out:=NEascii(In1, In2);

## Variables

	Meaning	I/O	Description	Valid range	Unit	Default
In1 and In2	Comparison text strings	Input	Text strings to compare	Depends on data type.	---	*1
Out	Comparison result	Output	Comparison result	Depends on data type.	---	---

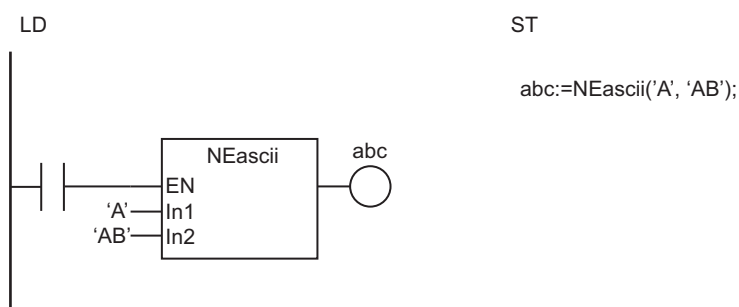
\*1. If you omit an input parameter, the default value is not applied. A building error will occur.

	Boo lean	Bit strings					Integers							Real num bers		Times, durations, dates, and text strings				
	BOOL	BYTE	WORD	DWORD	LWORD	USINT	UINT	UDINT	ULINT	SINT	INT	DINT	LINT	REAL	LREAL	TIME	DATE	TOD	DT	STRING
In1 and In2																				OK
Out	OK																			

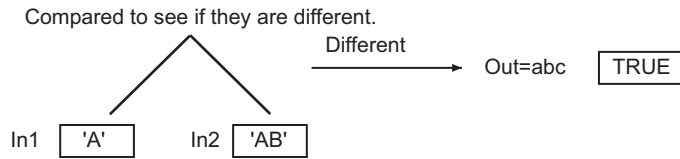
## Function

The NEascii instruction determines if two text strings *In1* and *In2* are not equivalent. Comparison result *Out* will be TRUE if they are different, and will be FALSE if they are the same. "Equivalent" means that both the lengths and contents of the text strings are the same.

The following example is for when *In1* is 'A' and *In2* is 'AB'. The value of variable *abc* will be TRUE.



The NEascii instruction determines if *In1* and *In2* are different. If they are different, the value of *abc* will be TRUE.



### Additional Information

The text string comparison instructions are convenient when you want to reorder text strings according to the character codes. For example, the character codes for alphabet characters are in the same order as the alphabet characters. This allows you to alphabetize.



#### Version Information

With Sysmac Studio version 1.02 or higher, the instruction, *NE (<>)* on page 2-105, can also be used to compare text strings. The specifications of the *NE (<>)* instruction for comparing text strings are the same as those of the *NEascii* instruction.

### Precautions for Correct Use

- Do not use this instruction as the rightmost instruction on a rung. If you do, an error occurs on the Sysmac Studio and you cannot transfer the user program to the Controller.
- If this instruction is used in a ladder diagram, the value of *Out* changes to FALSE when an error occurs in the previous instruction on the rung.
- Specify text strings that contain only ASCII characters for *In1* and *In2*.

# LTascii, LEascii, GTascii, and GEascii

These instructions compare the sizes of two or more text strings.

- LTascii : Performs a less than comparison.
- LEascii : Performs a less than or equal comparison.
- GTascii : Performs a greater than comparison.
- GEascii : Performs a greater than or equal comparison.

Instruction	Name	FB/ FUN	Graphic expression	ST expression
LTascii	Text String Comparison Less Than	FUN		Out:=LTascii(In1, ..., InN);
LEascii	Text String Comparison Less Than or Equal	FUN		Out:=LEascii(In1, ..., InN);
GTascii	Text String Comparison Greater Than	FUN		Out:=GTascii(In1, ..., InN);
GEascii	Text String Comparison Greater Than or Equal	FUN		Out:=GEascii(In1, ..., InN);

## Variables

	Meaning	I/O	Description	Valid range	Unit	Default
In1 to InN	Comparison text strings	Input	Text strings to compare N = 2 to 5	Depends on data type.	---	"*1
Out	Comparison result	Output	Comparison result	Depends on data type.	---	---

- \*1. If you omit the input parameter that connects to *InN*, the default value is not applied, and a building error will occur. For example, if N is 3 and the input parameters that connect to *In1* and *In2* are omitted, the default values are applied, but if the input parameter that connects to *In3* is omitted, a building error will occur.

	Boo lean	Bit strings					Integers							Real num- bers		Times, durations, dates, and text strings				
	BOOL	BYTE	WORD	DWORD	LWORD	USINT	UINT	UDINT	ULINT	SINT	INT	DINT	LINT	REAL	LREAL	TIME	DATE	TOD	DT	STRING
In1 to InN																				OK
Out	OK																			

## Function

These instructions compare the sizes of from two to five text strings in *In1* to *InN* ( $N = 2$  to  $5$ ). The output value *Out* is shown below for each instruction.

Instruction	Value of <i>Out</i>
LTascii	If $In1 < In2 < \dots < InN$ , <i>Out</i> is TRUE. Otherwise, it is FALSE.
LEascii	If $In1 \leq In2 \leq \dots \leq InN$ , <i>Out</i> is TRUE. Otherwise, it is FALSE.
GTascii	If $In1 > In2 > \dots > InN$ , <i>Out</i> is TRUE. Otherwise, it is FALSE.
GEascii	If $In1 \geq In2 \geq \dots \geq InN$ , <i>Out</i> is TRUE. Otherwise, it is FALSE.

The sizes of the character codes are compared. The comparison procedure is as follows:  
First, the first character codes in all of the text strings are compared. If the character codes are different, the result of the size comparison for the text strings is determined by the size relationship between those character codes.

If the character codes are the same, comparison continues in order to the other characters until a different character code is found.

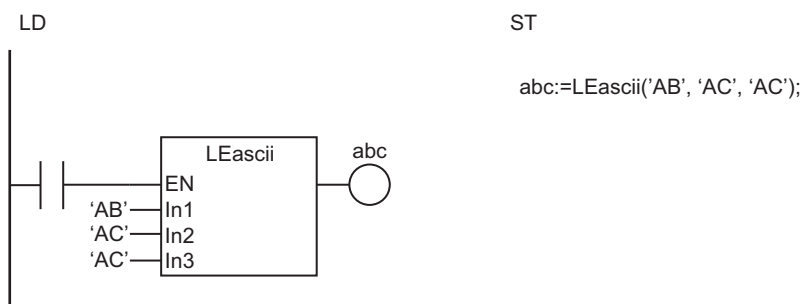
If the lengths of the text strings are different, NULL characters (16#00) are added to the shorter text string to complete the comparison.

The relationships between various text strings are as follows:

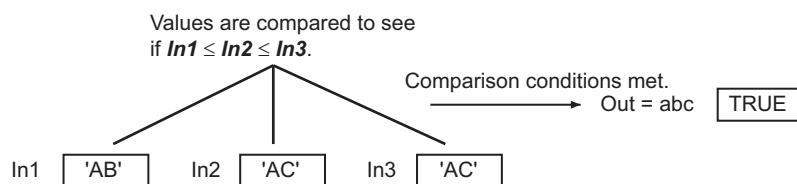
```
'AD'(16#414400) < 'BC'(16#424400)
'ADC' (16#41444300) < 'B' (16#42000000)
'ABC' (16#41424300) < 'ABD' (16#41424400)
'ABC' (16#41424300) > 'AB' (16#41420000)
'AB' (16#414200) = 'AB' (16#414200)
```

If the text string contains multi-byte characters, the characters are separated into individual bytes before comparison. For example, the two-byte character 16#C281 is handled as 16#C2 and 16#81.

The following example for the LEascii instruction is for when *In1* is "AB", *In2* is "AC", and *In3* is "AC". The value of variable *abc* will be TRUE.



The LEascii instruction determines if  $In1 \leq In2 \leq In3$ .  
If the comparison conditions are met, the value of *abc* will be TRUE.



## Additional Information

The text string comparison instructions are convenient when you want to reorder text strings according to the character codes. For example, the character codes for alphabet characters are in the same order as the alphabet characters. This allows you to alphabetize.



### Version Information

With Sysmac Studio version 1.02 or higher, the instructions, *LT* (<), *LE* (<=), *GT* (>), and *GE* (>=) on page 2-108, can also be used to compare text strings. The specifications of the *LT* (<), *LE* (<=), *GT* (>), and *GE* (>=) instructions for comparing text strings are the same as those of the *LTascii*, *LEascii*, *GTascii*, and *GEascii* instructions.

## Precautions for Correct Use

- Do not use this instruction as the rightmost instruction on a rung. If you do, an error occurs on the Sysmac Studio and you cannot transfer the user program to the Controller.
- If this instruction is used in a ladder diagram, the value of *Out* changes to FALSE when an error occurs in the previous instruction on the rung.
- Specify text strings that contain only ASCII characters for *In1* to *InN*.

# Cmp

The Cmp instruction compares two values.

Instruction	Name	FB/ FUN	Graphic expression	ST expression
Cmp	Compare	FUN		<p>Out:=Cmp(In1, In2, OutEQ, OutGT, OutGE, OutNE, OutLT, OutLE);</p> <p>You can omit Out.</p>

## Variables

	Meaning	I/O	Description	Valid range	Unit	Default
In1 and In2	Comparison data	Input	Values to compare	Depends on data type.	---	*1
Out	Return value	Output	Always TRUE	TRUE only	---	---
OutEQ	Equal flag		Equal flag	Depends on data type.		
OutGT	Greater than flag		Greater than flag			
OutGE	Greater than or equal flag		Greater than or equal flag			
OutNE	Not equal flag		Not equal flag			
OutLT	Less than flag		Less than flag			
OutLE	Less than or equal flag		Less than or equal flag			

\*1. If you omit the input parameter, the default value is not applied. A building error will occur.

	Boo lean	Bit strings				Integers							Real num- bers		Times, durations, dates, and text strings					
	BOOL	BYTE	WORD	DWORD	LWORD	USINT	UINT	UDINT	ULINT	SINT	INT	DINT	LINT	REAL	LRREAL	TIME	DATE	TOD	DT	STRING
In1 and In2						OK	OK	OK	OK	OK	OK	OK	OK	OK						
Out	OK																			
OutEQ	OK																			
OutGT	OK																			
OutGE	OK																			
OutNE	OK																			
OutLT	OK																			
OutLE	OK																			

## Function

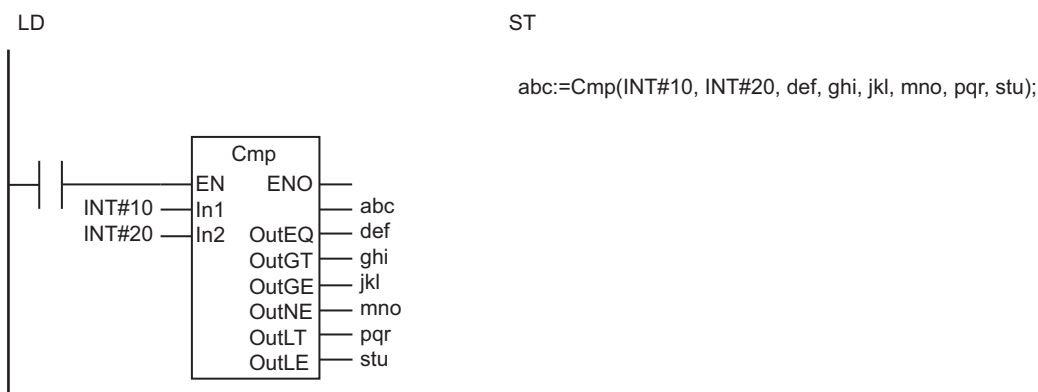
The Cmp instruction compares two values (*In1* and *In2*) and outputs flag values.



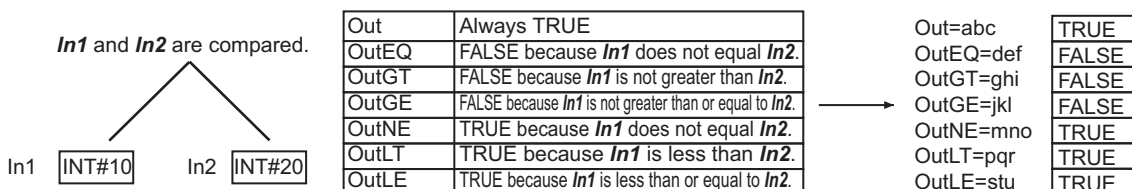
The values of the flags are as follows:

Flag	Value
OutEQ	If <i>In1</i> equals <i>In2</i> , the flag shows TRUE. Otherwise the flag shows FALSE.
OutGT	If <i>In1</i> is greater than <i>In2</i> , the flag shows TRUE. Otherwise the flag shows FALSE.
OutGE	If <i>In1</i> is greater than or equal to <i>In2</i> , the flag shows TRUE. Otherwise the flag shows FALSE.
OutNE	If <i>In1</i> is not equal to <i>In2</i> , the flag shows TRUE. Otherwise the flag shows FALSE.
OutLT	If <i>In1</i> is less than <i>In2</i> , the flag shows TRUE. Otherwise the flag shows FALSE.
OutLE	If <i>In1</i> is less than or equal to <i>In2</i> , the flag shows TRUE. Otherwise the flag shows FALSE.

The following example is for when *In1* is INT#10 and *In2* is INT#20. The values of variables *def*, *ghi*, and *jkl* will be FALSE, and the values of *abc*, *mno*, *pqr*, and *stu* will be TRUE.



The Cmp instruction compares *In1* and *In2*. The results are given below for the various criteria.



### Precautions for Correct Use

- If the data types of *In1* and *In2* are different, one will be cast to the other data type which can accommodate every possible value in both of the data types before comparison.
- If *In1* and *In2* are real numbers and include any non-terminating decimal numbers, error may cause unexpected processing results.
- Signed integers (SINT, INT, DINT, and LINT) cannot be compared to unsigned integers (USINT, UINT, UDINT, and ULINT).
- Two values that are positive infinity or two values that are negative infinity are equivalent.
- If the value of either *In1* or *In2* is nonnumeric data, the values of *OutEQ*, *OutGT*, *OutGE*, *OutNE*, *OutLT*, and *OutLE* are FALSE.

# ZoneCmp

The ZoneCmp instruction determines if the comparison data is between the specified maximum and minimum values.

Instruction	Name	FB/ FUN	Graphic expression	ST expression
ZoneCmp	Zone Comparison	FUN		Out:=ZoneCmp(MN, In, MX);

## Variables

	Meaning	I/O	Description	Valid range	Unit	Default
MN	Minimum value	Input	Minimum value	Depends on data type.	---	0
In	Comparison data		Value to compare			*1
MX	Maximum value		Maximum value			0
Out	Comparison result	Output	Comparison result	Depends on data type.	---	---

\*1. If you omit an input parameter, the default value is not applied. A building error will occur.

	Boo lean	Bit strings				Integers								Real num- bers		Times, durations, dates, and text strings				
	BOOL	BYTE	WORD	DWORD	LWORD	USINT	UINT	UDINT	ULINT	SINT	INT	DINT	LINT	REAL	LREAL	TIME	DATE	TOD	DT	STRING
MN						OK	OK	OK	OK	OK	OK	OK	OK	OK	OK	OK *1	OK *1	OK *1	OK *1	
In						OK	OK	OK	OK	OK	OK	OK	OK	OK	OK	OK *1	OK *1	OK *1	OK *1	
MX						OK	OK	OK	OK	OK	OK	OK	OK	OK	OK	OK *1	OK *1	OK *1	OK *1	
Out	OK																			

\*1. You can specify TIME, DATE, TOD, and DT data with CPU Units with unit version 1.01 or later and Sysmac Studio version 1.02 or higher.

## Function

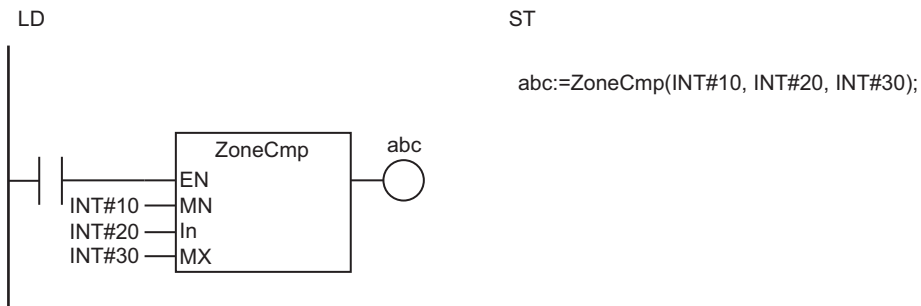
The ZoneCmp instruction determines if comparison data *In* is between maximum value *MX* and minimum value *MN*.

If  $MX \geq In \geq MN$ , *Out* will be TRUE. Otherwise, it will be FALSE.

The relationship between values with data types that are not integers or real numbers are determined as given in the following table.

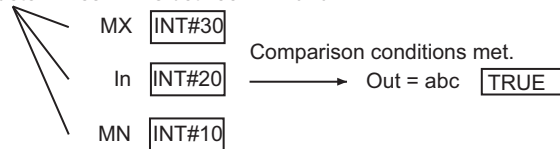
Data type	Relationship
TIME	The numerically larger value is considered to be larger.
DATE, TOD, or DT	Later dates or times of day are considered to be larger.

The following example is for when *MN* is INT#10, *In* is INT#20 and *MX* is INT#30. The value of variable *abc* will be TRUE.



The ZoneCmp instruction determines if  $MX \geq In \geq MN$ .  
If the comparison conditions are met, the value of *abc* will be TRUE.

The instruction determines if *In* is between *MX* and *MN*.



## Additional Information

When you compare TIME, DT, or TOD data, adjust the accuracy of their values so that the comparison can be based on the same accuracy. You can use the following instructions to adjust the accuracy: *TruncTime* on page 2-702, *TruncDt* on page 2-706, and *TruncTod* on page 2-710.

## Precautions for Correct Use

- If the data types of *In*, *MX*, and *MN* are different, they will be cast to a data type which can accommodate every possible value in all the types before comparison.
- If *In*, *MX*, and *MN* are real numbers and include any non-terminating decimal numbers, error may cause unexpected processing results.
- Signed integers (SINT, INT, DINT, and LINT) cannot be compared to unsigned integers (USINT, UINT, UDINT, and ULINT).
- Always compare data with the same data type for TIME, DATE, TOD, and DT data. If variables with different data types are specified, a building error will occur.
- Two values that are positive infinity or two values that are negative infinity are equivalent.
- If the value of *In* is nonnumeric data, the value of *Out* is FALSE.
- If this instruction is used in a ladder diagram, the value of *Out* changes to FALSE when an error occurs in the previous instruction on the rung.
- An error occurs in the following cases. *Out* will be FALSE.
  - a) The value of *MN* is greater than the value of *MX*.
  - b) Either *MX* or *MN* contains nonnumeric data.

# TableCmp

The TableCmp instruction compares the comparison data with multiple defined ranges in a comparison table.

Instruction	Name	FB/ FUN	Graphic expression	ST expression
TableCmp	Table Comparison	FUN		Out:=TableCmp(In, Table, Size, AryOut);

## Variables

	Meaning	I/O	Description	Valid range	Unit	Default
In	Comparison data	Input	Value to compare	Depends on data type.	---	*1
Table[] (two-dimensional array)	Comparison table		Two-dimensional array that contains the elements for the defined ranges			
Size	Comparison size		Number of elements in Table[] to which to compare <i>In</i>			
AryOut[] (array)	Individual comparison results array	In-out	Comparison results for Table[] elements TRUE: Condition met. FALSE: Condition not met.	Depends on data type.	---	---
Out	Comparison result	Output	TRUE: <i>In</i> meets all comparison conditions for elements of Table[] FALSE: The comparison condition is not met for one or more sets of elements.	Depends on data type.	---	---

\*1. If you omit an input parameter, the default value is not applied. A building error will occur.

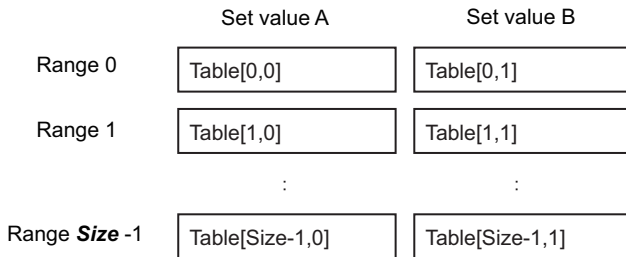
	Boo lean	Bit strings				Integers								Real numbers		Times, durations, dates, and text strings				
	BOOL	BYTE	WORD	DWORD	LWORD	USINT	UINT	UDINT	ULINT	SINT	INT	DINT	LINT	REAL	LREAL	TIME	DATE	TOD	DT	STRING
In						OK	OK	OK	OK	OK	OK	OK	OK	OK						
Table[] (two-dimensional array)	Must be a two-dimensional array with elements that have the same data type as <i>In</i> .																			
Size						OK														

	Boo lean	Bit strings					Integers							Real num- bers		Times, durations, dates, and text strings				
	BOOL	BYTE	WORD	DWORD	LWORD	USINT	UINT	UDINT	ULINT	SINT	INT	DINT	LINT	REAL	LREAL	TIME	DATE	TOD	DT	STRING
AryOut[] (ar- ray)	OK																			
Out	OK																			

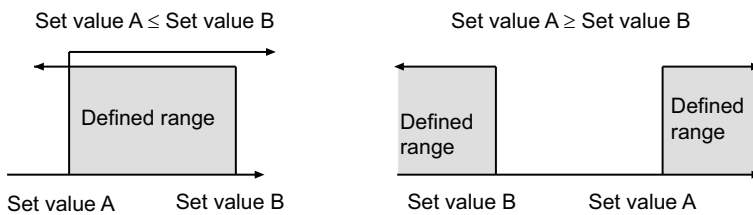
## Function

The TableCmp instruction compares comparison data *In* with the number of defined ranges specified by the value of *Size* in comparison table Table[].

Table[] is a two-dimensional array. The first dimension contains the numbers of the defined ranges. In the second dimension, element 0 is set value A of the defined range and element 1 is set value B of the defined range.

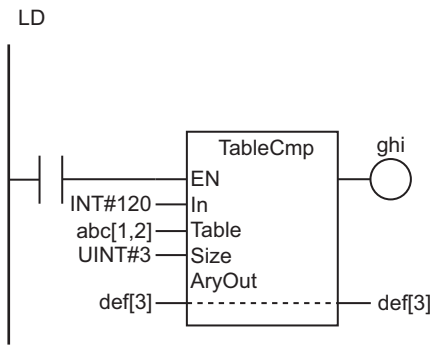


Set value A and set value B define range as shown below. Set value A and set value B are always included in the range.



The results of comparing *In* and Table[] are stored in individual comparison results array AryOut[]. If *In* is within the defined range for element *i*, AryOut[*i*] will be TRUE. If it is not within the range, AryOut[*i*] will be FALSE. If all *Size* elements of AryOut[] are TRUE, comparison result *Out* will be TRUE. Otherwise, it will be FALSE.

The following example is for when *In* is INT#120 and *Size* is UINT#3.



ST

```
ghi:=TableCmp(INT#120, abc[1,2], UINT#3, def[3]);
```

In=INT#120

Size=UINT#3	{	Table[0,0]=abc[1,2] <input type="text" value="0"/>	Table[0,1]=abc[1,3] <input type="text" value="99"/>	→ AryOut[0]=def[3] <input type="text" value="FALSE"/>
		Table[1,0]=abc[2,2] <input type="text" value="100"/>	Table[1,1]=abc[2,3] <input type="text" value="199"/>	→ AryOut[1]=def[4] <input type="text" value="TRUE"/>
		Table[2,0]=abc[3,2] <input type="text" value="200"/>	Table[2,1]=abc[3,3] <input type="text" value="299"/>	→ AryOut[2]=def[5] <input type="text" value="FALSE"/>

Out=ghi   

### Precautions for Correct Use

- Use the same data type for *In* and *Table*[]. Otherwise, a building error will occur.
- Use a two-dimensional array for *Table*[].
- If an array with more than two dimensions is used for *Table*[], the elements in the third and higher dimensions are ignored.
- If the *AryOut*[] array is larger than the value of *Size*, the comparison results will be stored in *AryOut*[0] to *AryOut*[*Size*-1]. Other elements of the array will not change.
- Signed integers (SINT, INT, DINT, and LINT) cannot be compared to unsigned integers (USINT, UINT, UDINT, and ULINT).
- If real numbers are compared, error may cause unexpected processing results. This can occur, for example, when they contain non-terminating decimal numbers.
- If the value of *Size* is 0, the value of *Out* will be FALSE and *AryOut*[] will not change.
- If this instruction is used in a ladder diagram, the value of *Out* changes to FALSE if an error occurs in the previous instruction on the rung.
- An error occurs in the following cases. *Out* will be FALSE.
  - a) If the value of *Size* exceeds the size of the *AryOut*[] array.
  - b) If the value of *Size* exceeds the size of the first dimension of the *Table*[] array.
  - c) The size of the second dimension of *Table*[] is 1.

# AryCmpEQ and AryCmpNE

These instructions compare the corresponding elements of two arrays.

AryCmpEQ : Determines if the corresponding elements of two arrays are equal.

AryCmpNE : Determines if the corresponding elements of two arrays are not equal.

Instruction	Name	FB/ FUN	Graphic expression	ST expression
AryCmpEQ	Array Comparison Equal	FUN		AryCmpEQ(In1, In2, Size, AryOut);
AryCmpNE	Array Comparison Not Equal	FUN		AryCmpNE(In1, In2, Size, AryOut);

## Variables

	Meaning	I/O	Description	Valid range	Unit	Default
In1[] and In2[] (arrays)	Comparison arrays	Input	Arrays containing the elements to compare	Depends on data type.	---	*1
Size	Number of comparison elements		Number of elements to compare			1
AryOut[] (array)	Comparison results array	In-out	Comparison results array	Depends on data type.	---	---
Out	Return value	Output	Always TRUE	TRUE only	---	---

\*1. If you omit an input parameter, the default value is not applied. A building error will occur.

	Boolean	Bit strings					Integers							Real numbers		Times, durations, dates, and text strings				
	BOOL	BYTE	WORD	DWORD	LWORD	USINT	UINT	UDINT	ULINT	SINT	INT	DINT	LINT	REAL	LREAL	TIME	DATE	TOD	DT	STRING
In1[] (array)	OK	OK	OK	OK	OK	OK	OK	OK	OK	OK	OK	OK	OK	OK						
In2[] (array)	Must be an array with the same data type as In1[].																			
Size							OK													
AryOut[] (array)	OK																			
Out	OK																			

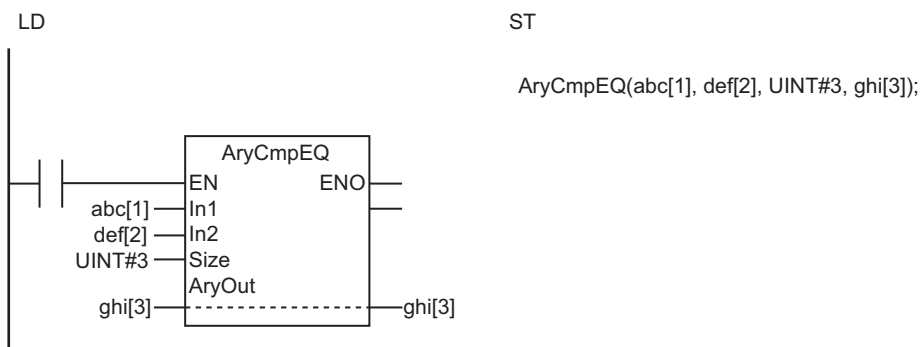
## Function

These instructions compare the values of the elements with the same element numbers in two arrays (In1[0] to In1[Size-1] and In2[0] and In2[Size-1]). The comparison results are stored in comparison results array AryOut[] in the elements with the corresponding element numbers (AryOut[0] to AryOut[Size-1]).

The value of AryOut[i] is as follows for each instruction:

Instruction	Value of AryOut[i]
AryCmpEQ	If In1[i] = In2[i], the result is TRUE. Otherwise, it is FALSE.
AryCmpNE	If In1[i] ≠ In2[i], the result is TRUE. Otherwise, it is FALSE.

The following example shows the AryCmpEQ instruction when Size is UINT#3.



Size=UINT#3	In1[0]=abc[1]	10	In2[0]=def[2]	10	→ AryOut[0]=ghi[3]	TRUE
	In1[1]=abc[2]	20	In2[1]=def[3]	10	→ AryOut[1]=ghi[4]	FALSE
	In1[2]=abc[3]	30	In2[2]=def[4]	10	→ AryOut[2]=ghi[5]	FALSE

## Precautions for Correct Use

- Use the same data type for In1[] and In2[]. If they are different, a building error will occur.
- Use an AryOut[] array that is at least as large as the value of Size.
- If In1[] and In2[] contain real numbers, error may cause unexpected processing results. This can occur, for example, when they contain non-terminating decimal numbers.
- If the value of Size is 0, the value of Out will be TRUE and AryOut[] will not change.
- Return value Out is not used when the instruction is used in ST.
- An error occurs in the following case. ENO will be FALSE, and AryOut[] will not change.
  - a) If the In1[], In2[], or AryOut[] array is smaller than the value of Size.



# AryCmpLT, AryCmpLE, AryCmpGT, and AryCmpGE

These instructions compare the corresponding elements of two arrays as below.

- AryCmpLT : Performs a less than comparison.
- AryCmpLE : Performs a less than or equal comparison.
- AryCmpGT : Performs a greater than comparison.
- AryCmpGE : Performs a greater than or equal comparison.

Instruction	Name	FB/ FUN	Graphic expression	ST expression
AryCmpLT	Array Comparison Less Than	FUN		AryCmpLT(In1, In2, Size, AryOut);
AryCmpLE	Array Comparison Less Than Or Equal	FUN		AryCmpLE(In1, In2, Size, AryOut);
AryCmpGT	Array Comparison Greater Than	FUN		AryCmpGT(In1, In2, Size, AryOut);
AryCmpGE	Array Comparison Greater Than Or Equal	FUN		AryCmpGE(In1, In2, Size, AryOut);

## Variables

	Meaning	I/O	Description	Valid range	Unit	Default
In1[] and In2[] (arrays)	Comparison arrays	Input	Arrays containing the elements to compare	Depends on data type.	---	*1
Size	Number of comparison elements		Number of elements to compare			1

	Meaning	I/O	Description	Valid range	Unit	Default
AryOut[] (array)	Comparison results array	In-out	Comparison results array	Depends on data type.	---	---
Out	Return value	Output	Always TRUE	TRUE only	---	---

\*1. If you omit an input parameter, the default value is not applied. A building error will occur.

	Boolean	Bit strings					Integers								Real numbers		Times, durations, dates, and text strings				
	BOOL	BYTE	WORD	DWORD	LWORD	USINT	UINT	UDINT	ULINT	SINT	INT	DINT	LINT	REAL	LREAL	TIME	DATE	TOD	DT	STRING	
In1[] (array)						OK	OK	OK	OK	OK	OK	OK	OK	OK	OK						
In2[] (array)	Must be an array with the same data type as In1[].																				
Size							OK														
AryOut[] (array)	OK																				
Out	OK																				

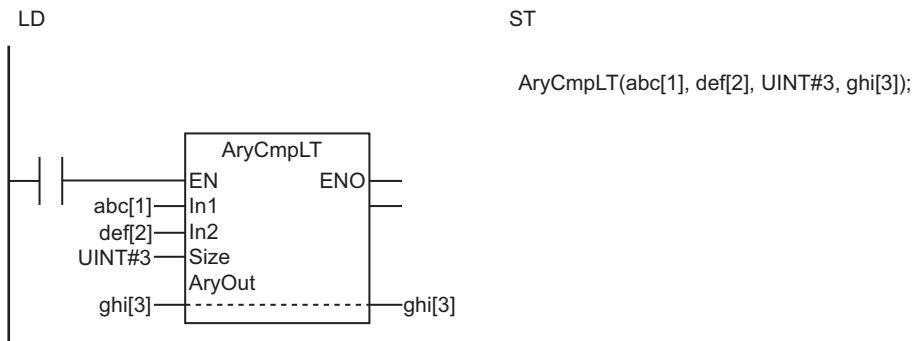
## Function

These instructions compare the values of the elements with the same element numbers in two arrays (In1[0] to In1[Size-1] and In2[0] and In2[Size-1]). The comparison results are stored in comparison results array AryOut[] in the elements with the corresponding element numbers (AryOut[0] to AryOut[Size-1]).

The value of AryOut[i] is as follows for each instruction:

Instruction	Value of AryOut[i]
AryCmpLT	If In1[i] < In2[i], the result is TRUE. Otherwise, it is FALSE.
AryCmpLE	If In1[i] <= In2[i], the result is TRUE. Otherwise, it is FALSE.
AryCmpGT	If In1[i] > In2[i], the result is TRUE. Otherwise, it is FALSE.
AryCmpGE	If In1[i] >= In2[i], the result is TRUE. Otherwise, it is FALSE.

The following example shows the AryCmpLT instruction when Size is UINT#3.



Size=UINT#3	In1[0]=abc[1]	110	In2[0]=def[2]	100	→ AryOut[0]=ghi[3]	FALSE
	In1[1]=abc[2]	120	In2[1]=def[3]	130	→ AryOut[1]=ghi[4]	TRUE
	In1[2]=abc[3]	140	In2[2]=def[4]	160	→ AryOut[2]=ghi[5]	TRUE

## Precautions for Correct Use

- Use the same data type for `In1[]` and `In2[]`. If they are different, a building error will occur.
- Use an `AryOut[]` array that is at least as large as the value of `Size`.
- If `In1[]` and `In2[]` contain real numbers, error may cause unexpected processing results. This can occur, for example, when they contain non-terminating decimal numbers.
- If the value of `Size` is 0, the value of `Out` will be TRUE and `AryOut[]` will not change.
- Return value `Out` is not used when the instruction is used in ST.
- An error occurs in the following case. `ENO` will be FALSE, and `AryOut[]` will not change.
  - a) If the `In1[]`, `In2[]`, or `AryOut[]` array is smaller than the value of `Size`.

# AryCmpEQV and AryCmpNEV

These instructions compare each element of an array with a comparison value.

**AryCmpEQV** : Determines if each element of the array is equal to the comparison value.

**AryCmpNEV** : Determines if each element of the array is not equal to the comparison value.

Instruction	Name	FB/ FUN	Graphic expression	ST expression
AryCmpEQV	Array Value Comparison Equal	FUN		AryCmpEQV(In1, In2, Size, Ary- Out);
AryCmpNEV	Array Value Comparison Not Equal	FUN		AryCmpNEV(In1, In2, Size, Ary- Out);

## Variables

	Meaning	I/O	Description	Valid range	Unit	Default
In1[] (array)	Comparison array	Input	Array containing the el- ements to compare	Depends on da- ta type.	---	*1
In2	Comparison value		Value to compare			
Size	Number of comparison elements		Number of elements to compare			1
AryOut[] (ar- ray)	Comparison results ar- ray	In-out	Comparison results ar- ray	Depends on da- ta type.	---	---
Out	Return value	Output	Always TRUE	TRUE only	---	---

\*1. If you omit an input parameter, the default value is not applied. A building error will occur.

	Boo lean	Bit strings					Integers							Real num- bers		Times, durations, dates, and text strings				
	BOOL	BYTE	WORD	DWORD	LWORD	USINT	UINT	UDINT	ULINT	SINT	INT	DINT	LINT	REAL	LREAL	TIME	DATE	TOD	DT	STRING
In1[] (array)	OK	OK	OK	OK	OK	OK	OK	OK	OK	OK	OK	OK	OK	OK						
In2	Must be same data type as the elements of In1[].																			
Size							OK													
AryOut[] (ar- ray)	OK																			
Out	OK																			

## Function

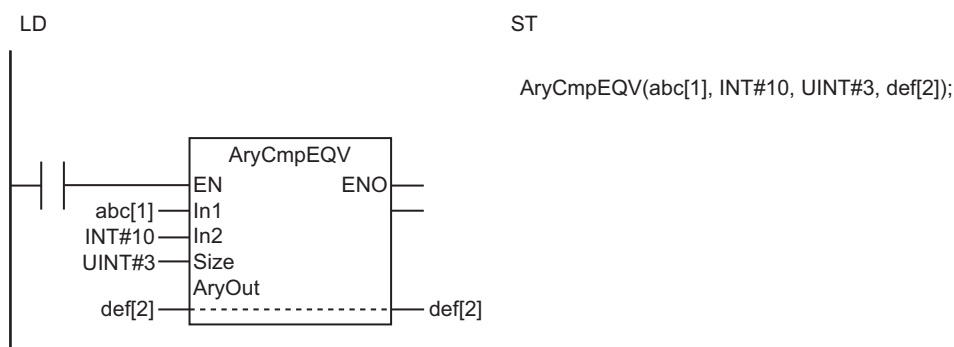
These instructions compare comparison value  $In2$  with the specified elements in an array ( $In1[0]$  to  $In1[Size-1]$ ).

The comparison results are stored in comparison results array  $AryOut[]$  in the elements with the corresponding element numbers ( $AryOut[0]$  to  $AryOut[Size-1]$ ).

The value of  $AryOut[i]$  is as follows for each instruction:

Instruction	Value of $AryOut[i]$
AryCmpEQV	If $In1[i] = In2$ , the result is TRUE. Otherwise, it is FALSE.
AryCmpNEV	If $In1[i] \neq In2$ , the result is TRUE. Otherwise, it is FALSE.

The following example shows the AryCmpEQV instruction when  $In2$  is INT#10 and  $Size$  is UINT#3.



Size=UINT#3	$In1[0]=abc[1]$	10	$In2=INT\#10 \rightarrow$	$AryOut[0]=def[2]$	TRUE
	$In1[1]=abc[2]$	20	$In2=INT\#10 \rightarrow$	$AryOut[1]=def[3]$	FALSE
	$In1[2]=abc[3]$	30	$In2=INT\#10 \rightarrow$	$AryOut[2]=def[4]$	FALSE

## Precautions for Correct Use

- Use the same data type for  $In1[]$  and  $In2$ . If they are different, a building error will occur.
- Use an  $AryOut[]$  array that is at least as large as the value of  $Size$ .
- If  $In1[]$  contains real numbers and  $In2$  is a real number, error may cause unexpected processing results. This can occur, for example, when they contain non-terminating decimal numbers.
- If the value of  $Size$  is 0, the value of  $Out$  will be TRUE and  $AryOut[]$  will not change.
- Return value  $Out$  is not used when the instruction is used in ST.
- An error occurs in the following case.  $ENO$  will be FALSE, and  $AryOut[]$  will not change.
  - a) If the  $In1[]$  or  $AryOut[]$  array is smaller than the value of  $Size$ .

# AryCmpLTV, AryCmpLEV, AryCmpGTV, and AryCmpGEV

These instructions compare each element of an array with a comparison value as below.

- AryCmpLTV : Performs a less than comparison.
- AryCmpLEV : Performs a less than or equal comparison.
- AryCmpGTV : Performs a greater than comparison.
- AryCmpGEV : Performs a greater than or equal comparison.

Instruction	Name	FB/ FUN	Graphic expression	ST expression
AryCmpLTV	Array Value Comparison Less Than	FUN		AryCmpLTV(In1, In2, Size, Ary-Out);
AryCmpLEV	Array Value Comparison Less Than Or Equal	FUN		AryCmpLEV(In1, In2, Size, Ary-Out);
AryCmpGTV	Array Value Comparison Greater Than	FUN		AryCmpGTV(In1, In2, Size, Ary-Out);
AryCmpGEV	Array Value Comparison Greater Than Or Equal	FUN		AryCmpGEV(In1, In2, Size, Ary-Out);

## Variables

	Meaning	I/O	Description	Valid range	Unit	Default
In1[] (array)	Comparison array	Input	Array containing the elements to compare	Depends on data type.	---	*1
In2	Comparison value		Value to compare			1
Size	Number of comparison elements		Number of elements to compare			1

	Meaning	I/O	Description	Valid range	Unit	Default
AryOut[] (array)	Comparison results array	In-out	Comparison results array	Depends on data type.	---	---
Out	Return value	Output	Always TRUE	TRUE only	---	---

\*1. If you omit an input parameter, the default value is not applied. A building error will occur.

	Boolean	Bit strings					Integers							Real numbers		Times, durations, dates, and text strings				
	BOOL	BYTE	WORD	DWORD	LWORD	USINT	UINT	UDINT	ULINT	SINT	INT	DINT	LINT	REAL	LREAL	TIME	DATE	TOD	DT	STRING
In1[] (array)						OK	OK	OK	OK	OK	OK	OK	OK	OK	OK					
In2	Must be same data type as the elements of In1[].																			
Size							OK													
AryOut[] (array)	OK																			
Out	OK																			

## Function

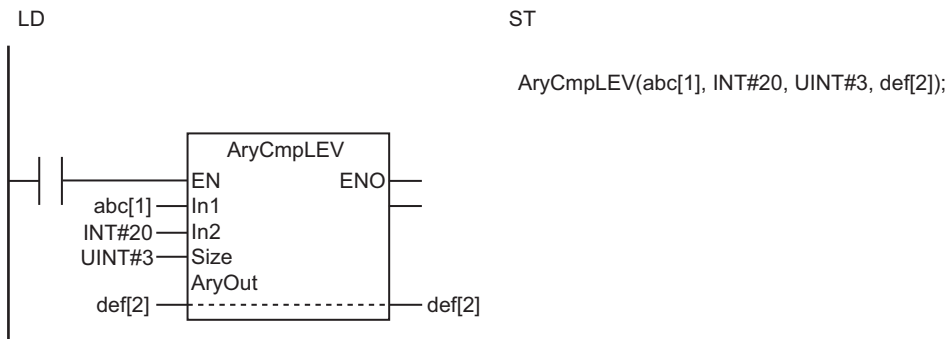
These instructions compare comparison value *In2* with the specified elements in an array (*In1*[0] to *In1*[*Size*-1]).

The comparison results are stored in comparison results array *AryOut*[] in the elements with the corresponding element numbers (*AryOut*[0] to *AryOut*[*Size*-1]).

The value of *AryOut*[*i*] is as follows for each instruction:

Instruction	Value of <i>AryOut</i> [ <i>i</i> ]
<i>AryCmpLTV</i>	If <i>In1</i> [ <i>i</i> ] < <i>In2</i> , the result is TRUE. Otherwise, it is FALSE.
<i>AryCmpLEV</i>	If <i>In1</i> [ <i>i</i> ] <= <i>In2</i> , the result is TRUE. Otherwise, it is FALSE.
<i>AryCmpGTV</i>	If <i>In1</i> [ <i>i</i> ] > <i>In2</i> , the result is TRUE. Otherwise, it is FALSE.
<i>AryCmpGEV</i>	If <i>In1</i> [ <i>i</i> ] >= <i>In2</i> , the result is TRUE. Otherwise, it is FALSE.

The following example shows the *AryCmpLEV* instruction when *In2* is INT#20 and *Size* is UINT#3.



Size=UINT#3	In1[0]= <i>abc</i> [1]	10	In2=INT#20	→	AryOut[0]= <i>def</i> [2]	TRUE
	In1[1]= <i>abc</i> [2]	20	In2=INT#20	→	AryOut[1]= <i>def</i> [3]	TRUE
	In1[2]= <i>abc</i> [3]	30	In2=INT#20	→	AryOut[2]= <i>def</i> [4]	FALSE

### Precautions for Correct Use

- Use the same data type for *In1*[] and *In2*. If they are different, a building error will occur.
- Use an *AryOut*[] array that is at least as large as the value of *Size*.
- If *In1*[] contains real numbers and *In2* is a real number, error may cause unexpected processing results. This can occur, for example, when they contain non-terminating decimal numbers.
- If the value of *Size* is 0, the value of *Out* will be TRUE and *AryOut*[] will not change.
- Return value *Out* is not used when the instruction is used in ST.
- An error occurs in the following case. *ENO* will be FALSE, and *AryOut*[] will not change.
  - a) If the *In1*[] or *AryOut*[] array is smaller than the value of *Size*.

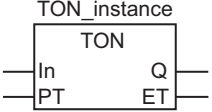


# Timer Instructions

Instruction	Name	Page
TON	On-Delay Timer	page 2-136
TOF	Off-Delay Timer	page 2-142
TP	Timer Pulse	page 2-145
AccumulationTimer	Accumulation Timer	page 2-148
Timer	Hundred-ms Timer	page 2-152

# TON

The TON instruction outputs TRUE when the set time elapses after the timer starts.

Instruction	Name	FB/ FUN	Graphic expression	ST expression
TON	On-Delay Timer	FB		TON_instance (In, PT, Q,ET);

## Variables

	Meaning	I/O	Description	Valid range	Unit	Default
In	Timer input	Input	TRUE: Timer start signal FALSE: Timer reset signal	Depends on data type.	---	FALSE
PT	Set time		Time from when timer starts until Q changes to TRUE	*1	ms	0
Q	Timer output	Output	TRUE: Timer output ON FALSE: Timer output OFF	Depends on data type.	---	---
ET	Elapsed time		Elapsed time since timer started	*1	ms	

\*1. T#0 ms to T#106751d\_23h\_47m\_16s\_854.775807ms

	Boo lean	Bit strings				Integers								Real num- bers		Times, durations, dates, and text strings					
	BOOL	BYTE	WORD	DWORD	LWORD	USINT	UINT	UDINT	ULINT	SINT	INT	DINT	LINT	REAL	LREAL	TIME	DATE	TOD	DT	STRING	
In	OK																				
PT																OK					
Q	OK																				
ET																OK					

## Function

The TON instruction outputs TRUE when the set time elapses after the timer starts. The time is set in nanoseconds.

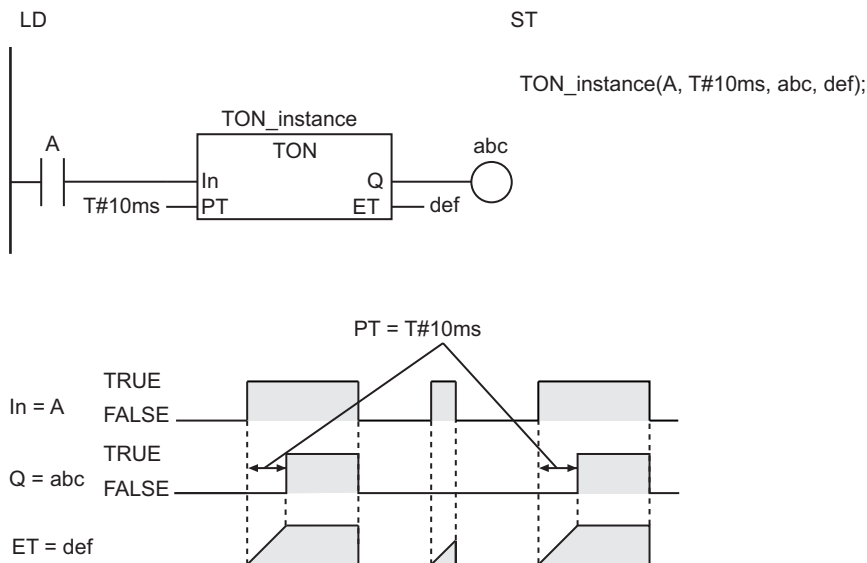
The timer starts when timer input *In* changes to TRUE. Elapsed time *ET* is incremented as time elapses.

When *ET* reaches set time *PT*, timer output *Q* changes to TRUE. *ET* is not incremented after that.

The timer is reset when *In* changes to FALSE. *ET* changes to 0, and *Q* changes to FALSE.

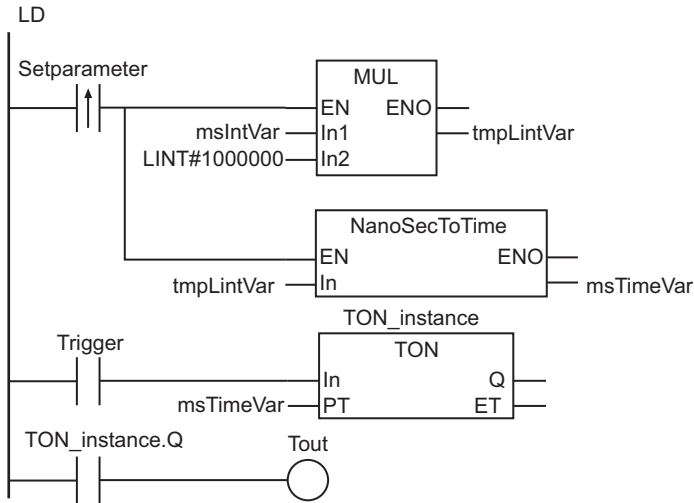
If *In* changes to FALSE after the timer is started, the timer is reset even before *ET* reaches *PT*.

The following figure shows a programming example and timing chart for a *PT* of T#10 ms. Variable *abc* will change to TRUE 10 ms after variable *A* changes to TRUE.



## Additional Information

- Use the instruction, *TP* on page 2-145, for a timer that changes the timer output to TRUE when timing starts and then changes the timer output to FALSE when the set time is reached.
- Use the instruction, *TOF* on page 2-142, for a timer that starts when *In* changes to FALSE and then changes the timer output to FALSE when the elapsed time reaches the set time.
- To reduce timer execution time, use the instruction, *Timer* on page 2-152, which measures time in increments of 100 ms.
- If you are connected to an HMI that does not support TIME data, you must convert the set time from integer data to TIME data before you input it to this instruction. Use the instruction, *NanoSecToTime* on page 2-683, to convert integer data to TIME data. Use the instruction, *TimeToNanoSec* on page 2-680, to convert TIME data to integer data. Both instructions express the time in nanoseconds. The following shows a user programming example where the INT variable, *msIntVar*, is the set time in milliseconds.



```

ST
tmpLintVar:=msIntVar*LINT#1000000;
msTimeVar:=NanoSecToTime(tmpLintVar);
TON_instance(In:=Trigger, PT:=msTimeVar, Q=>Tout);
    
```

### Precautions for Correct Use

- The timing error for which Q is TRUE for PT is -100 ns to (100 ns + 1 task period).  
The above range includes the following:
  - a) The ±100 ns is the timing error of ET.
  - b) Time ET is judged to check if it reaches PT every task period. If time ET reaches PT immediately after the judgment is completed, there is a delay of one task period.
- The time is displayed in increments of 0.001 ms on the Sysmac Studio, but the timing accuracy is 1 ns.
- The timer starts as soon as operation starts if In is already TRUE.
- If T#0 ms or a negative number is set for PT, Q will change to TRUE as soon as the value of In changes to TRUE.
- You can change the value of PT while the value of In is TRUE. Operation is as follows:

Timer status	Value of Q	Value of PT after it is changed	Operation
After completion of timing	TRUE	---	The value of Q remains TRUE. The value of ET also does not change. It remains at the same value of PT as before it is changed.
Timing in progress	FALSE	PT ≥ ET	Timing is continued. When the value of ET reaches the value of PT, the value of Q changes to TRUE and ET is no longer incremented.
		PT < ET	The value of Q changes to TRUE immediately. Incrementing ET stops immediately.

- If this instruction is in a master control region and the master control region is reset, the timer is reset. The value of ET changes to 0, and the value of Q changes to FALSE.

- If this instruction is not executed due to the execution of a jump instruction (e.g., the JMP instruction), the value of *ET* is not updated. However, timing still continues. Therefore, *ET* is updated to a correct value the next time this instruction is executed.
- If this instruction is used in a ladder diagram, the value of *Q* changes to FALSE when an error occurs in the previous instruction on the rung.

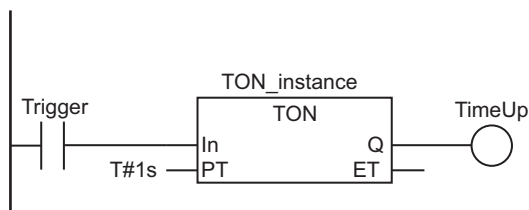
## Sample Programming

### Measuring Time with One On-Delay Timer

The value of *TimeUp* will change to TRUE one second after the value of *Trigger* changes to TRUE.

#### ● LD

Variable	Data type	Initial value	Comment
Trigger	BOOL	FALSE	Execution condition
TimeUp	BOOL	FALSE	Timer output
TON_instance	TON		



#### ● ST (Example 1)

Variable	Data type	Initial value	Comment
Trigger	BOOL	FALSE	Execution condition
TimeUp	BOOL	FALSE	Timer output
TON_instance	TON		

```
IF (Trigger=TRUE) THEN
    TON_instance(In:=TRUE, PT:=T#1s, Q=>TimeUp);
ELSE
    TON_instance(In:=FALSE, Q=>TimeUp);
END_IF;
```

#### ● ST (Example 2)

Variable	Data type	Initial value	Comment
Trigger	BOOL	FALSE	Execution condition
TimeUp	BOOL	FALSE	Timer output
TON_instance	TON		

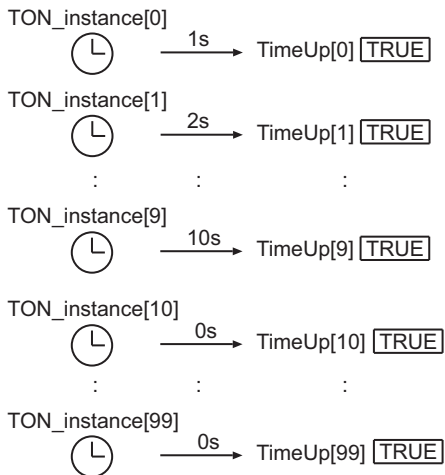
```
TON_instance(In:=Trigger, PT:=T#1s, Q=>TimeUp);
```

## Measuring Time with Multiple On-Delay Timers

In this example, a total of 100 instances of the On-Delay Timer instruction, TON\_instance[0] to TON\_instance[99], are programmed. Each timer starts when the value of the corresponding timer input, Input[0] to Input[99], changes to TRUE.

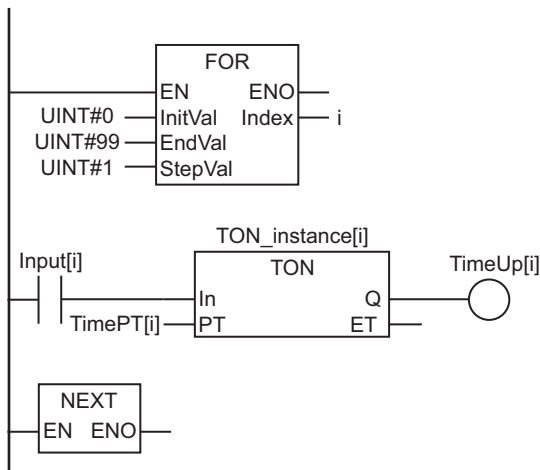
The timers for the first 10 instances, TON\_instance[0] to TON\_instance[9], change the corresponding values in TimeUp[i] to TRUE i+1 seconds (i = 0 to 9) after execution is started.

The timers for the remaining 90 instances, TON\_instance[10] to TON\_instance[99], change the corresponding values in TimeUp[i] (i = 10 to 99) to TRUE as soon as execution is started.



### ● LD

Variable	Data type	Initial value	Comment
Input	ARRAY[0..99] OF BOOL	[100(FALSE)]	Timer input
TimeUp	ARRAY[0..99] OF BOOL	[100(FALSE)]	Timer output
TimePT	ARRAY[0..99] OF TIME	[T#1s, T#2s, T#3s, T#4s, T#5s, T#6s, T#7s, T#8s, T#9s, T#10s, 90(T#0s)]	Set time
TON_instance	ARRAY[0..99] OF TON		
i	UINT	0	Index



## ● ST

Variable	Data type	Initial value	Comment
Input	ARRAY[0..99] OF BOOL	[100(FALSE)]	Timer input
TimeUp	ARRAY[0..99] OF BOOL	[100(FALSE)]	Timer output
TimePT	ARRAY[0..99] OF TIME	[T#1s, T#2s, T#3s, T#4s, T#5s, T#6s, T#7s, T#8s, T#9s, T#10s, 90(T#0s)]	Set time
TON_instance	ARRAY[0..99] OF TON		
i	UINT	0	Index

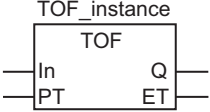
```

FOR i:=UINT#0 TO UINT#99 DO
  TON_instance[i](
    In := Input[i],
    PT := TimePT[i],
    Q =>TimeUp[i]);
END_FOR;

```

# TOF

The TOF instruction outputs FALSE when the set time elapses after the timer starts.

Instruction	Name	FB/ FUN	Graphic expression	ST expression
TOF	Off-Delay Timer	FB		TOF_instance(In, PT, Q, ET);

## Variables

	Meaning	I/O	Description	Valid range	Unit	Default
In	Timer input	Input	TRUE: Timer reset signal FALSE: Timer start signal	Depends on data type.	---	FALSE
PT	Set time		Time from when timer starts until Q changes to TRUE	*1	ms	0
Q	Timer output	Output	TRUE: Timer output ON FALSE: Timer output OFF	Depends on data type.	---	---
ET	Elapsed time		Elapsed time since timer started	*1	ms	

\*1. T#0 ms to T#106751d\_23h\_47m\_16s\_854.775807ms

	Boo lean	Bit strings				Integers								Real num- bers		Times, durations, dates, and text strings					
	BOOL	BYTE	WORD	DWORD	LWORD	USINT	UINT	UDINT	ULINT	SINT	INT	DINT	LINT	REAL	LREAL	TIME	DATE	TOD	DT	STRING	
In	OK																				
PT																OK					
Q	OK																				
ET																OK					

## Function

The TOF instruction outputs FALSE when the set time elapses after the timer starts. The time is set in nanoseconds.

The timer starts when timer input *In* changes to FALSE. Elapsed time *ET* is incremented as time elapses.

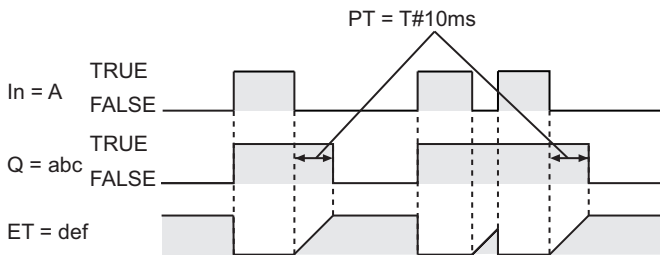
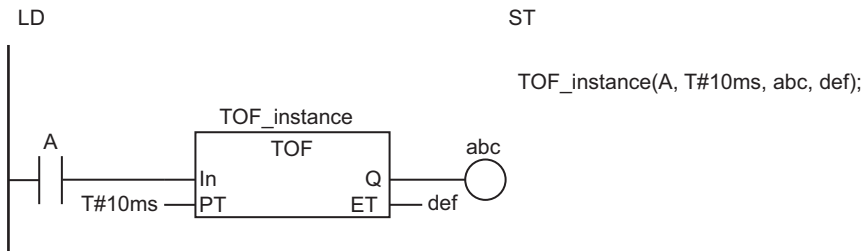
When *ET* reaches set time *PT*, timer output *Q* changes to FALSE. *ET* is not incremented after that.

The timer is reset when *In* changes to TRUE. *ET* changes to 0, and *Q* changes to TRUE.



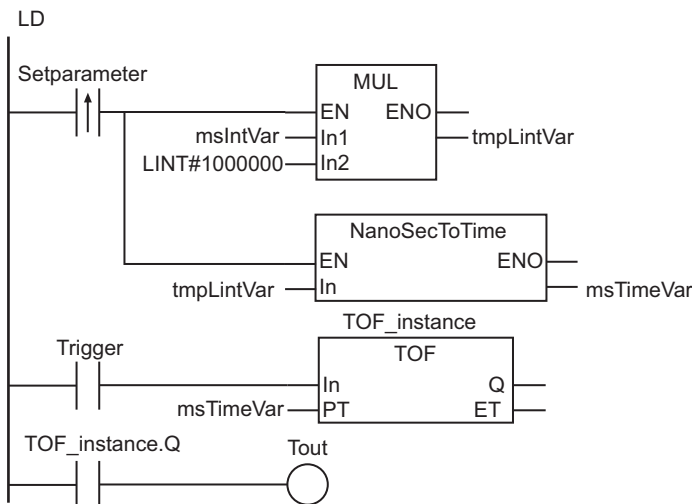
If *In* changes to FALSE after the timer is started, the timer is reset even before *ET* reaches *PT*.

The following figure shows a programming example and timing chart for a *PT* of T#10 ms. Variable *abc* will change to FALSE 10 ms after variable *A* changes to FALSE.



### Additional Information

- Use the instruction, *TP* on page 2-145, for a timer that changes the timer output to TRUE when timing starts and then changes the timer output to FALSE when the set time is reached.
- Use the instruction, *TON* on page 2-136, for a timer that starts when *In* changes to TRUE, and then changes the timer output to TRUE when the elapsed time reaches the set time.
- If you are connected to an HMI that does not support TIME data, you must convert the set time from integer data to TIME data before you input it to this instruction. Use the instruction, *NanoSecToTime* on page 2-683, to convert integer data to TIME data. Use the instruction, *TimeToNanoSec* on page 2-680, to convert TIME data to integer data. Both instructions express the time in nanoseconds. The following shows a user programming example where the INT variable, *msIntVar*, is the set time in milliseconds.



ST

```
tmpLintVar:=msIntVar*LINT#1000000;
msTimeVar:=NanoSecToTime(tmpLintVar);
TOF_instance(In:=Trigger, PT:=msTimeVar, Q=>Tout);
```

## Precautions for Correct Use

- The timing error for which Q is TRUE for *PT* is -100 ns to (100 ns + 1 task period).  
The above range includes the following:
  - a) The  $\pm 100$  ns is the timing error of *ET*.
  - b) Time *ET* is judged to check if it reaches *PT* every task period. If time *ET* reaches *PT* immediately after the judgment is completed, there is a delay of one task period.
- The time is displayed in increments of 0.001 ms on the Sysmac Studio, but the timing accuracy is 1 ns.
- If T#0 ms or a negative number is set for *PT*, Q will change to FALSE as soon as the value of *In* changes to FALSE.
- After this instruction is executed, the value of Q changes to TRUE if the value of *In* is TRUE. The value of Q changes to FALSE when the set time *PT* elapses after the timer is started.
- You can change the value of *PT* while the value of *In* is FALSE. Operation is as follows:

Timer status	Value of Q	Value of <i>PT</i> after it is changed	Operation
After completion of timing	FALSE	---	The value of Q remains FALSE. The value of <i>ET</i> also does not change. It remains at the same value of <i>PT</i> as before it is changed.
Timing in progress	TRUE	$PT \geq ET$	Timing is continued. When the value of <i>ET</i> reaches the value of <i>PT</i> , the value of Q changes to FALSE and <i>ET</i> is no longer incremented.
		$PT < ET$	The value of Q changes to FALSE immediately. Incrementing <i>ET</i> stops immediately.

- If this instruction is in a master control region and the master control region is reset, the operation is as follows:
  - a) The value of *ET* changes to 0, and the value of Q changes to TRUE.
  - b) If an Out instruction is connected to Q, the execution condition to the Out instruction is FALSE.
  - c) Timing starts as soon as the reset is released.
- If this instruction is not executed due to the execution of a jump instruction (e.g., the JMP instruction), the value of *ET* is not updated. However, timing still continues. Therefore, *ET* is updated to a correct value the next time this instruction is executed.
- If this instruction is used in a ladder diagram, the value of Q changes to FALSE when an error occurs in the previous instruction on the rung.

# TP

The TP instruction outputs TRUE for a set period of time after the timer starts.

Instruction	Name	FB/ FUN	Graphic expression	ST expression
TP	Timer Pulse	FB		TP_instance(In, PT, Q, ET);

## Variables

	Meaning	I/O	Description	Valid range	Unit	Default
In	Timer input	Input	TRUE: Timer start signal FALSE: Timer reset signal	Depends on data type.	---	FALSE
PT	Set time		Time during which Q remains at TRUE	*1	ms	0
Q	Timer output	Output	TRUE: Timer output ON FALSE: Timer output OFF	Depends on data type.	---	---
ET	Elapsed time		Elapsed time since timer started	*1	ms	

\*1. T#0 ms to T#106751d\_23h\_47m\_16s\_854.775807ms

	Boo lean	Bit strings				Integers							Real num- bers		Times, durations, dates, and text strings					
	BOOL	BYTE	WORD	DWORD	LWORD	USINT	UINT	UDINT	ULINT	SINT	INT	DINT	LINT	REAL	LREAL	TIME	DATE	TOD	DT	STRING
In	OK																			
PT																OK				
Q	OK																			
ET																OK				

## Function

The TP instruction outputs TRUE while the set time elapses after the timer starts. The time is set in nanoseconds.

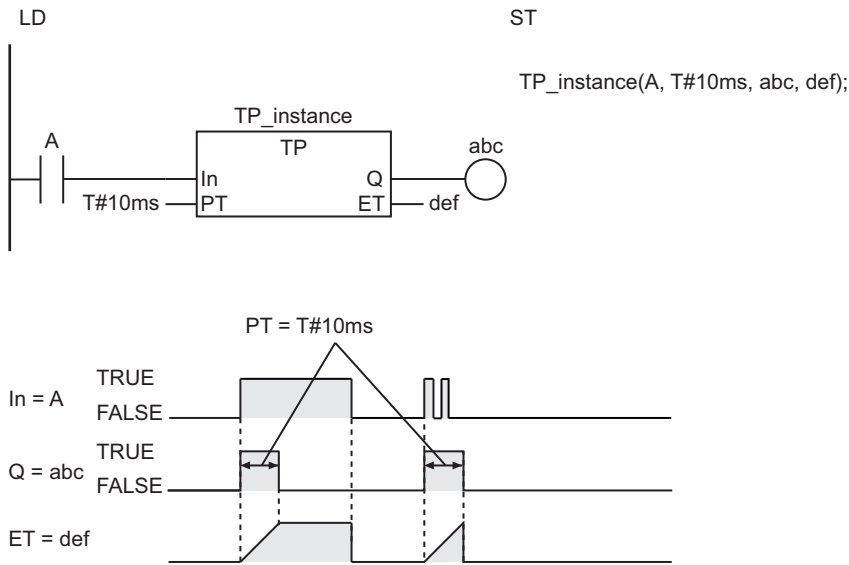
The timer starts when timer input *In* changes to TRUE, and timer output *Q* changes to TRUE. Elapsed time *ET* is incremented as time elapses.

When *ET* reaches set time *PT*, timer output *Q* changes to FALSE. *ET* is not incremented after that.

The timer is reset when *In* changes to FALSE. *ET* changes to 0.

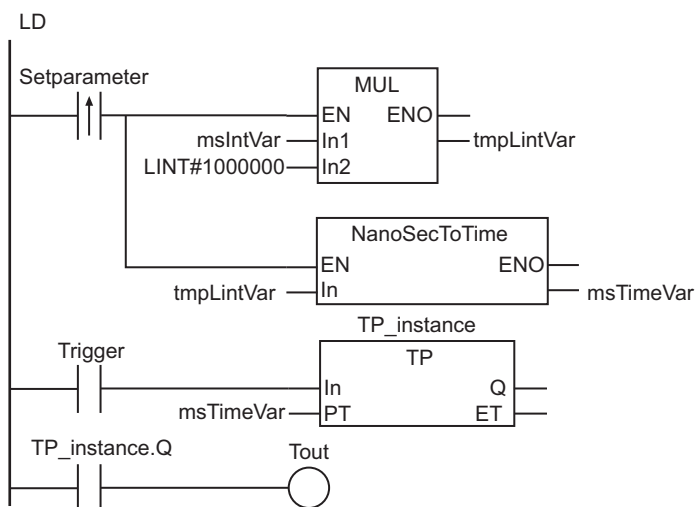
The timer is not reset if *In* changes to FALSE before *ET* reaches *PT*.

The following figure shows a programming example and timing chart for a *PT* of T#10 ms. When variable *A* changes to TRUE, variable *abc* changes to TRUE, and 10 ms later back to FALSE.



### Additional Information

- Use the instruction, *TON* on page 2-136, for a timer that starts when *In* changes to TRUE, and then changes the timer output to TRUE when the elapsed time reaches the set time.
- Use the instruction, *TOF* on page 2-142, for a timer that starts when *In* changes to FALSE, and then changes the timer output to FALSE when the elapsed time reaches the set time.
- If you are connected to an HMI that does not support TIME data, you must convert the set time from integer data to TIME data before you input it to this instruction. Use the instruction, *NanoSecToTime* on page 2-683, to convert integer data to TIME data. Use the instruction, *TimeToNanoSec* on page 2-680, to convert TIME data to integer data. Both instructions express the time in nanoseconds. The following shows a user programming example where the INT variable, *msIntVar*, is the set time in milliseconds.



ST

```
tmpLintVar:=msIntVar*LINT#1000000;
msTimeVar:=NanoSecToTime(tmpLintVar);
TP_instance(In:=Trigger, PT:=msTimeVar, Q=>Tout);
```

## Precautions for Correct Use

- The timing error for which Q is TRUE for PT is -100 ns to (100 ns + 1 task period).  
The above range includes the following:
  - a) The  $\pm 100$  ns is the timing error of ET.
  - b) Time ET is judged to check if it reaches PT every task period. If time ET reaches PT immediately after the judgment is completed, there is a delay of one task period.
- The time is displayed in increments of 0.001 ms on the Sysmac Studio, but the timing accuracy is 1 ns.
- The timer starts as soon as operation starts if In is already TRUE.
- If T#0 ms or a negative number is set for PT, Q will not change to TRUE even when the value of In changes to TRUE.
- You can change the value of PT while the value of In is TRUE. Operation is as follows:

Timer status	Value of Q	Value of PT after it is changed	Operation
After completion of timing	FALSE	---	The value of Q remains FALSE. The value of ET also does not change. It remains at the same value of PT as before it is changed.
Timing in progress	TRUE	PT $\geq$ ET	Timing is continued. When the value of ET reaches the value of PT, the value of Q changes to FALSE and ET is no longer incremented.
		PT < ET	The value of Q changes to FALSE immediately. Incrementing ET stops immediately.

- If this instruction is in a master control region and the master control region is reset, timing is continued to the end if the timer is operating. Then, the value of ET changes to 0, and the value of Q changes to FALSE. However, if an Out instruction is connected to Q, the execution condition to the Out instruction is FALSE even when the value of Q is TRUE.
- If this instruction is not executed due to the execution of a jump instruction (e.g., the JMP instruction), the value of ET is not updated and timing is not performed. Timing restarts when this instruction is executed again.
- If this instruction is used in a ladder diagram, the value of Q changes to FALSE when an error occurs in the previous instruction on the rung.

# AccumulationTimer

The AccumulationTimer instruction accumulates the period of time during which the timer input is TRUE.

Instruction	Name	FB/ FUN	Graphic expression	ST expression
Accumulation-Timer	Accumulation Timer	FB		AccumulationTimer_instance(In, PT, Reset, Q, ET);

## Variables

	Meaning	I/O	Description	Valid range	Unit	Default
In	Timer input	Input	TRUE: Timer operates FALSE: Timer stops	Depends on data type.	---	FALSE
PT	Set time		Maximum time	*1	ms	0
Reset	Reset		TRUE: Timer reset FALSE: Timer not reset	Depends on data type.	---	FALSE
Q	Timer output	Output	TRUE: <i>ET</i> reached <i>PT</i> . FALSE: <i>ET</i> has not reached <i>PT</i> .	Depends on data type.	---	---
ET	Total time		Total time	*1	ms	

\*1. T#0 ms to T#106751d\_23h\_47m\_16s\_854.775807ms

	Boo lean	Bit strings				Integers								Real num- bers		Times, durations, dates, and text strings					
	BOOL	BYTE	WORD	DWORD	LWORD	USINT	UINT	UDINT	ULINT	SINT	INT	DINT	LINT	REAL	LREAL	TIME	DATE	TOD	DT	STRING	
In	OK																				
PT																OK					
Reset	OK																				
Q	OK																				
ET																OK					

## Function

The AccumulationTimer instruction accumulates time during which the timer input *In* is TRUE. The time is set in nanoseconds.

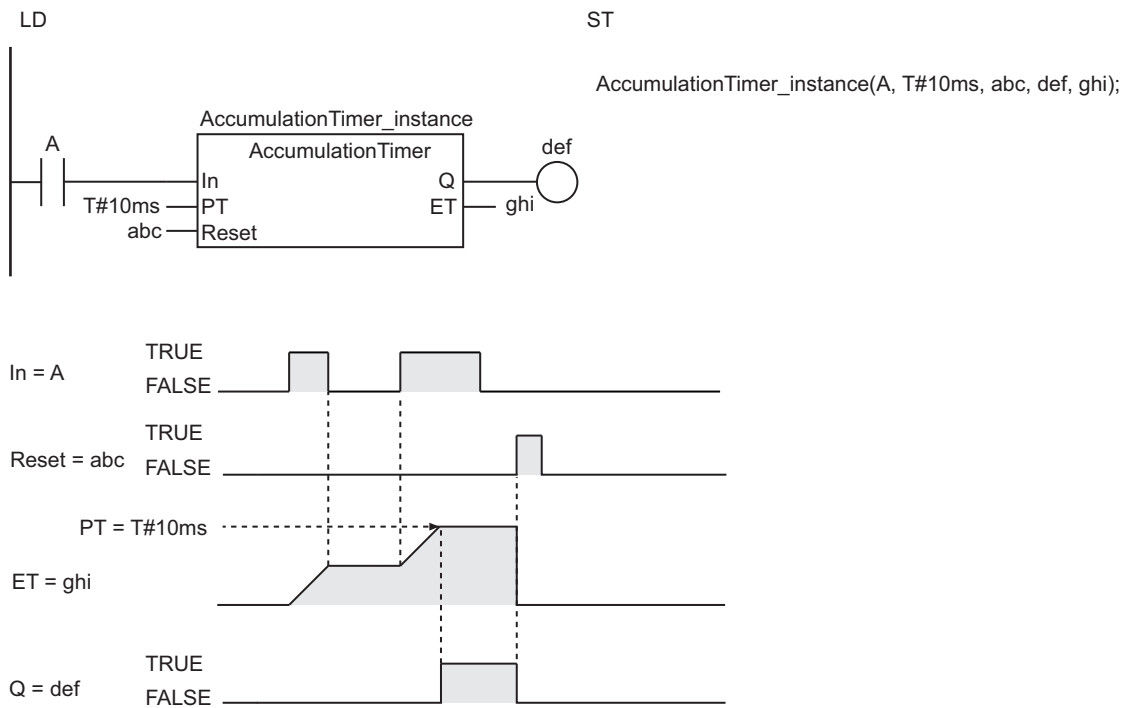
If reset *Reset* is FALSE, the timer starts when *In* changes to TRUE. Total time *ET* is incremented as time elapses.

The timer stops when *In* changes to FALSE. The value of *ET* is held.

When *In* changes to TRUE again, the timer starts again. *ET* is incremented from the value that was previously held.

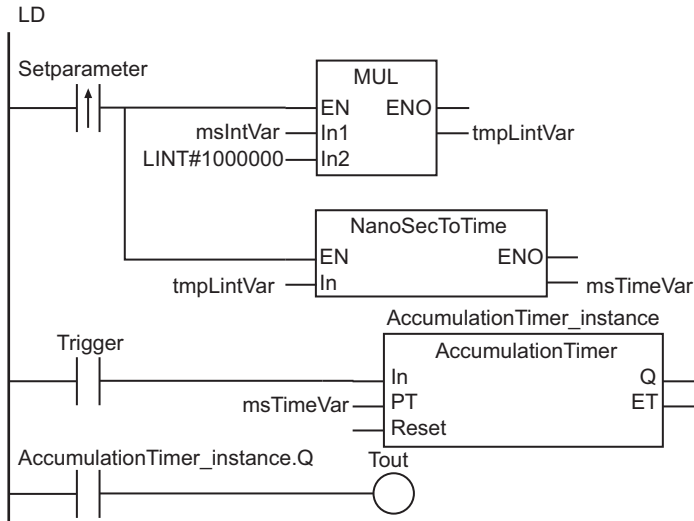
When *ET* reaches set time *PT*, timer output *Q* changes to TRUE. *ET* is not incremented after that. The timer is reset when *Reset* changes to TRUE. The value of *ET* changes to 0, and the value of *Q* changes to FALSE.

The following figure shows a programming example and timing chart for a *PT* of T#10 ms. Variable *abc* changes to TRUE when the total time reaches 10 ms, accumulating the period of time during which variable *A* is TRUE.



## Additional Information

- Use the instruction, *TON* on page 2-136, for a timer that resets the timer output and elapsed time when *In* changes to FALSE.
- If you are connected to an HMI that does not support TIME data, you must convert the set time from integer data to TIME data before you input it to this instruction. Use the instruction, *NanoSecToTime* on page 2-683, to convert integer data to TIME data. Use the instruction, *TimeToNanoSec* on page 2-680, to convert TIME data to integer data. Both instructions express the time in nanoseconds. The following shows a user programming example where the INT variable, *msIntVar*, is the set time in milliseconds.



```

ST
tmpLintVar:=msIntVar*LINT#1000000;
msTimeVar:=NanoSecToTime(tmpLintVar);
AccumulationTimer_instance(In:=Trigger, PT:=msTimeVar, Q=>Tout);
    
```

### Precautions for Correct Use

- The timing error for which Q is TRUE for PT is -100 ns to (100 ns + 1 task period).  
The above range includes the following:
  - a) The ±100 ns is the timing error of ET.
  - b) Time ET is judged to check if it reaches PT every task period. If time ET reaches PT immediately after the judgment is completed, there is a delay of one task period.
- The time is displayed in increments of 0.001 ms on the Sysmac Studio, but the timing accuracy is 1 ns.
- If In and Reset are both TRUE, Reset has priority. That is, ET changes to 0 and Q changes to FALSE.
- The timer starts as soon as operation starts if In is already TRUE.
- If T#0 ms or a negative number is set for PT, Q will change to TRUE.
- You can change the value of PT before the value of ET reaches the value of PT. Operation is as follows:

Timer status	Value of Q	Value of PT after it is changed	Operation
After completion of timing	TRUE	---	The value of Q remains TRUE. The value of ET also does not change. It remains at the same value of PT as before it is changed.
Timing in progress	FALSE	PT ≥ ET	Timing is continued. When the value of ET reaches the value of PT, the value of Q changes to TRUE and ET is no longer incremented.
		PT < ET	The value of Q changes to TRUE immediately. Incrementing ET stops immediately.

- If this instruction is in a master control region and the master control region is reset, the operation is as follows:
  - a) The timer stops. The values of ET and Q at that time are retained.



- b) When the master control reset is cleared, *ET* is incremented again from the value that was retained.
- c) If an Out instruction is connected to *Q*, the execution condition to the Out instruction is FALSE even when the value of *Q* is TRUE.
- d) *Reset* is enabled.
- If this instruction is not executed due to the execution of a jump instruction (e.g., the JMP instruction), the value of *ET* is not updated. However, timing still continues. Therefore, *ET* is updated to a correct value the next time this instruction is executed.
- If this instruction is used in a ladder diagram, the value of *Q* changes to FALSE when an error occurs in the previous instruction on the rung.

# Timer

The Timer instruction outputs TRUE when the set time elapses after the timer starts. The time is set in increments of 100 ms.

Instruction	Meaning	FB/ FUN	Graphic expression	ST expression
Timer	Hundred-ms Timer	FUN		Out:=Timer(In, PT, TimerDat, Q, ET);

## Variables

	Meaning	I/O	Description	Valid range	Unit	Default
In	Timer input	Input	TRUE: Timer start signal FALSE: Timer reset signal	Depends on data type.	---	FALSE
PT	Set time		Time from when timer starts until Q changes to TRUE		ms	*1
TimerDat	Timer status	In-out	Current status of timer	---	---	---
Out	Return value	Output	TRUE: Timer output ON FALSE: Timer output OFF	Depends on data type.	---	---
Q	Timer output		Same meaning as <i>Out</i> .		---	
ET	Remaining time		Remaining time		ms	

\*1. If you omit the input parameter, the default value is not applied. A building error will occur.

	Boo lean	Bit strings				Integers								Real num- bers		Times, durations, dates, and text strings				
	BOOL	BYTE	WORD	DWORD	LWORD	USINT	UINT	UDINT	ULINT	SINT	INT	DINT	LINT	REAL	LREAL	TIME	DATE	TOD	DT	STRING
In	OK																			
PT							OK													
TimerDat		Structure <i>_sTimer</i>																		
Out	OK																			
Q	OK																			
ET							OK													

**Function**

The Timer instruction outputs TRUE when the set time elapses after the timer starts. The time is set in increments of 100 ms.

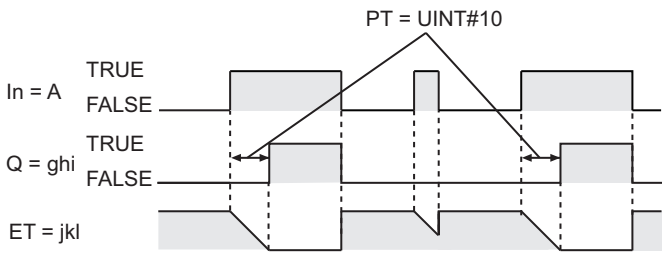
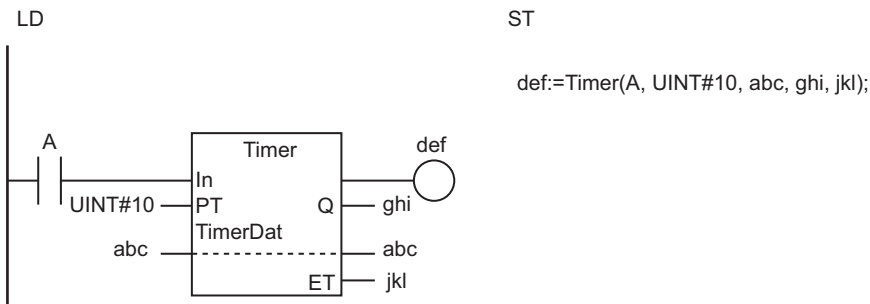
The timer is reset when timer input *In* changes to FALSE. Remaining time *ET* is set to set time *PT*, and timer output *Q* changes to FALSE.

The timer starts when *In* changes to TRUE. The value of *ET* is decremented as time elapses. When the value of *ET* reaches 0, timer output *Q* changes to TRUE. *ET* is not decremented any further.

If *In* changes to FALSE after the timer is started, the timer is reset even before *ET* reaches 0.

The data type of timer status *TimerDat* is structure *\_sTimer*.

The following figure shows a programming example and timing chart when *PT* is *UINT#10*. Variable *ghi* will change to TRUE 1,000 ms (1 s) after variable *A* changes to TRUE.



**Additional Information**

For more precise time measurement, use the instruction, *TON* on page 2-136, which measures time in nanoseconds. The *TON* instruction measures time in nanoseconds when executed, so it is more precise than the *Timer* instruction. However, the execution time of the *Timer* instruction is shorter.

**Precautions for Correct Use**

- Timing is started at the beginning of the POU that contains this instruction. Therefore, the value of *ET* will be the same regardless of where the instruction is executed in the POU.
- The timing error for which *Q* changes to TRUE for *PT* is +1 task period (a delay of one task period). The above range includes the following:
  - a) Time *ET* is judged every task period to see if it has reached *PT*. If time *ET* reaches *PT* immediately after the judgment is completed, there will be a delay of one task period.

- Although *TimerDat* is an in-out variable, it is not necessary to pass any values. Create a memory area for the size of the *\_sTimer* structure and pass it to the instruction.
- Do not change the contents of *TimerDat*.
- If *In* is TRUE, the timer starts as soon as operation starts.
- If the value of *PT* changes, the new value is reflected the next time the timer is reset. The value is not updated while timing is in progress.
- If this instruction is in a master control region and the master control region is reset, the timer is reset. *ET* is set to the value of *PT*, and the value of *Q* changes to FALSE.
- If this instruction is not executed due to execution of a jump instruction (e.g., the JMP instruction), the value of *ET* is not updated. However, timing still continues. Therefore, *ET* is updated to a correct value the next time the instruction is executed.
- If this instruction is used in a ladder diagram, the values of *Q* and *Out* change to FALSE when an error occurs in the previous instruction on the rung.

# Counter Instructions

Instruction	Name	Page
CTD	Down-counter	page 2-156
CTD_**	Down-counter Group	page 2-158
CTU	Up-counter	page 2-161
CTU_**	Up-counter Group	page 2-164
CTUD	Up-down Counter	page 2-167
CTUD_**	Up-down Counter Group	page 2-172

# CTD

The CTD instruction decrements the counter value when the counter input signal is received. The preset value and counter value must have an INT data type.

Instruction	Name	FB/ FUN	Graphic expression	ST expression
CTD	Down-counter	FB		CTD_instance (CD, Load, PV, Q, CV);

## Variables

	Meaning	I/O	Description	Valid range	Unit	Default
CD	Counter input	Input	Counter input	Depends on data type.	---	FALSE
Load <sup>*1</sup>	Load signal		TRUE: Set CV to PV			
PV	Preset value		Counter preset value			
Q	Counter output	Output	TRUE: Counter output ON FALSE: Counter output OFF	Depends on data type.	---	---
CV	Counter value		Counter present value			

\*1. On Sysmac Studio version 1.03 or higher, you can use *LD* instead of *Load* to more clearly show the correspondence between the variables and the parameter names in ST expressions.

For example, you can use the following notation: CTD\_instance(CD:=A, LD:=abc, PV:=INT#5, Q=>def, CV=>ghi);.

	Boo lean	Bit strings					Integers							Real num- bers		Times, durations, dates, and text strings					
	BOOL	BYTE	WORD	DWORD	LWORD	USINT	UINT	UDINT	ULINT	SINT	INT	DINT	LINT	REAL	LREAL	TIME	DATE	TOD	DT	STRING	
CD	OK																				
Load	OK																				
PV											OK										
Q	OK																				
CV											OK										

## Function

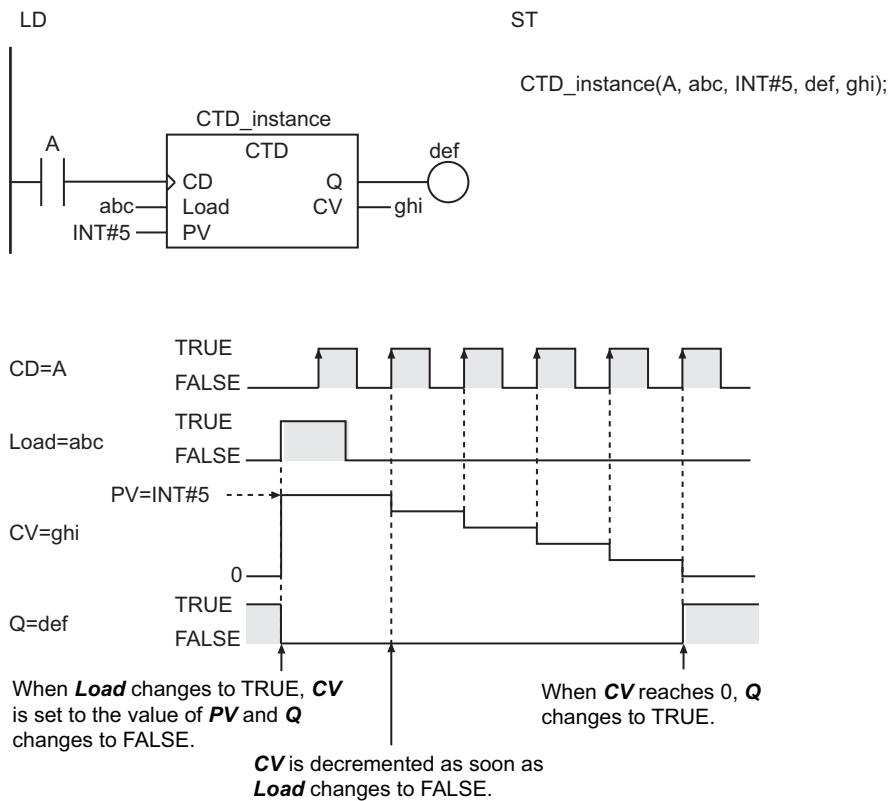
The CTD instruction creates a down counter. The preset value and counter value must have an INT data type.

When load signal *Load* changes to TRUE, counter value *CV* is set to the value of preset value *PV* and counter output *Q* changes to FALSE.

When counter input signal *CD* changes to TRUE, *CV* is decremented. When the value of *CV* reaches 0 or less, the value of *Q* changes to TRUE.

After the value of *CV* reaches 0 or less, *CV* does not change even if *CD* changes to TRUE. *CD* is ignored while *Load* is TRUE. *CV* is not decremented.

The following figure shows a programming example and timing chart for a *PV* of INT#5.



## Additional Information

- Use the instruction, *CTU* on page 2-161, to create a counter that increments the counter value each time the counter input signal is received.
- Use the instruction, *CTUD* on page 2-167, to create a counter that can be both incremented and decremented.

## Precautions for Correct Use

- Change *Load* to TRUE and then back to FALSE to restart a counter that has completed counting down.
- Even when *PV* is set to a negative value, *CV* is set to the value of *PV* when the value of *Load* changes to TRUE. The value of *CV* is 0 or less, so the value of *Q* will change to TRUE immediately. After that, the value of *CV* will not be decremented even if the value of *CD* changes.
- If the value of *CD* is FALSE and the power supply is interrupted or the operating mode is changed to PROGRAM mode, the value of *CV* is decremented once when this instruction is restarted while the value of *CD* is TRUE.
- If this instruction is used in a ladder diagram, the value of *Q* changes to FALSE if an error occurs in the previous instruction on the rung.

# CTD\_\*\*

The CTD\_\*\* instruction decrements the counter value when the counter input signal is received. The preset value and counter value must be one of the following data types: DINT, LINT, UDINT, or ULINT.

Instruction	Name	FB/ FUN	Graphic expression	ST expression
CTD_**	Down-counter Group	FB	<p>**** must be DINT, LINT, UDINT, or ULINT.</p>	<p>CTD_**_instance (CD, Load, PV, Q, CV);</p> <p>**** must be DINT, LINT, UDINT, or ULINT.</p>

## Variables

	Meaning	I/O	Description	Valid range	Unit	Default
CD	Counter input	Input	Counter input	Depends on data type.	---	FALSE
Load <sup>*1</sup>	Load signal		TRUE: Set CV to PV			
PV	Preset value		Counter preset value	Depends on data type. <sup>*2</sup>		0
Q	Counter output	Output	TRUE: Counter output ON FALSE: Counter output OFF	Depends on data type.	---	---
CV	Counter value		Counter present value	Depends on data type. <sup>*2</sup>		

\*1. On Sysmac Studio version 1.03 or higher, you can use *LD* instead of *Load* to more clearly show the correspondence between the variables and the parameter names in ST expressions.

For example, you can use the following notation: CTD\_LINT\_instance(CD:=A, LD:=abc, PV:=LINT#5, Q=>def, CV=>ghi);.

\*2. Negative numbers are excluded.

	Boo lean	Bit strings					Integers							Real numbers		Times, durations, dates, and text strings				
	BOOL	BYTE	WORD	DWORD	LWORD	USINT	UINT	UDINT	ULINT	SINT	INT	DINT	LINT	REAL	LREAL	TIME	DATE	TOD	DT	STRING
CD	OK																			
Load	OK																			
PV								OK	OK			OK	OK							
Q	OK																			
CV	Must be the same data type as PV																			



## Function

The CTD\_\*\* instruction creates a down counter. The preset value and counter value must be one of the following data types: DINT, LINT, UDINT, or ULINT.

The name of the instruction is determined by the data type of *PV* and *CV*. For example, if they are the *CV* data type, the instruction is CTD\_LINT.

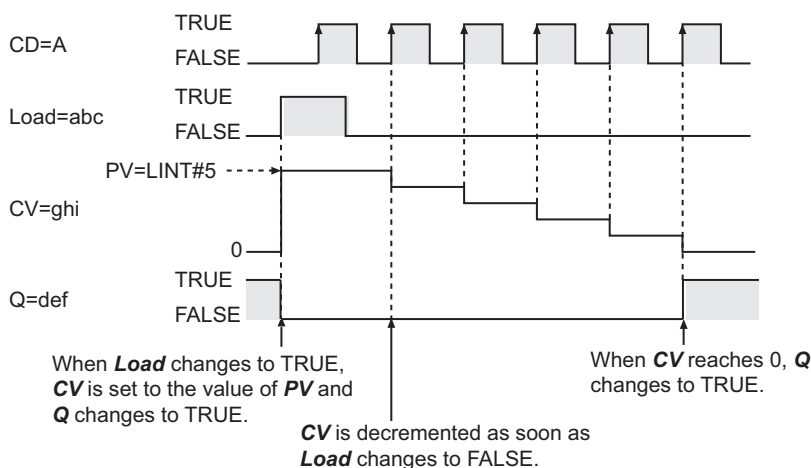
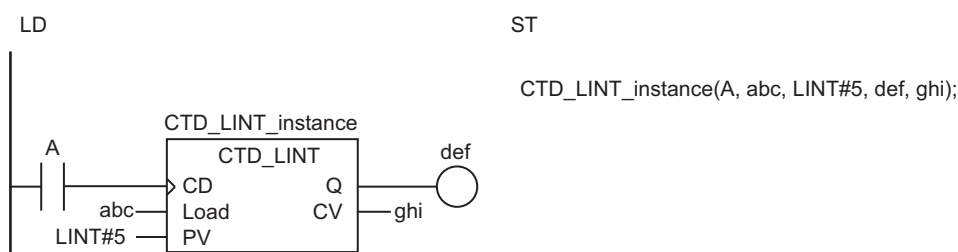
When load signal *Load* changes to TRUE, counter value *CV* is set to the value of preset value *PV* and counter output *Q* changes to FALSE.

When counter input signal *CD* changes to TRUE, *CV* is decremented. When the value of *CV* reaches 0 or less, the value of *Q* changes to TRUE.

After the value of *CV* reaches 0 or less, *CV* does not change even if *CD* changes to TRUE.

*CD* is ignored while *Load* is TRUE. *CV* is not decremented.

The following figure shows a CTD\_LINT programming example and timing chart for a *PV* of LINT#5.



## Additional Information

- Use the instruction, *CTU* on page 2-161, to create a counter that increments the counter value each time the counter input signal is received.
- Use the instruction, *CTUD* on page 2-167, to create a counter that can be both incremented and decremented.

### Precautions for Correct Use

- Change *Load* to TRUE and then back to FALSE to restart a counter that has completed counting down.
- Use the same data type for *PV* and *CV*.
- Even when *PV* is set to a negative value, *CV* is set to the value of *PV* when the value of *Load* changes to TRUE. The value of *CV* is 0 or less, so the value of *Q* will change to TRUE immediately. After that, the value of *CV* will not be decremented even if the value of *CD* changes.
- If the value of *CD* is FALSE and the power supply is interrupted or the operating mode is changed to PROGRAM mode, the value of *CV* is decremented once when this instruction is restarted while the value of *CD* is TRUE.
- If this instruction is used in a ladder diagram, the value of *Q* changes to FALSE if an error occurs in the previous instruction on the rung.

# CTU

The CTU instruction increments the counter value when the counter input signal is received. The preset value and counter value must have an INT data type.

Instruction	Name	FB/ FUN	Graphic expression	ST expression
CTU	Up-counter	FB		CTU_instance (CU, Reset, PV, Q, CV);

## Variables

	Meaning	I/O	Description	Valid range	Unit	Default
CU	Counter input	Input	Counter input	Depends on data type.	---	FALSE
Reset* <sup>1</sup>	Reset signal		TRUE: Reset CV to 0			
PV	Preset value		Counter preset value			
Q	Counter output	Output	TRUE: Counter output ON FALSE: Counter output OFF	Depends on data type.	---	---
CV	Counter value		Counter present value			

\*1. On Sysmac Studio version 1.03 or higher, you can use *R* instead of *Reset* to more clearly show the correspondence between the variables and the parameter names in ST expressions.

For example, you can use the following notation: CTU\_instance(CU:=A, R:=abc, PV:=INT#5, Q=>def, CV=>ghi);

	Boo lean	Bit strings					Integers							Real numbers		Times, durations, dates, and text strings				
	BOOL	BYTE	WORD	DWORD	LWORD	USINT	UINT	UDINT	ULINT	SINT	INT	DINT	LINT	REAL	LREAL	TIME	DATE	TOD	DT	STRING
CU	OK																			
Reset	OK																			
PV											OK									
Q	OK																			
CV											OK									

## Function

The CTU instruction creates an up counter. The preset value and counter value must have an INT data type.

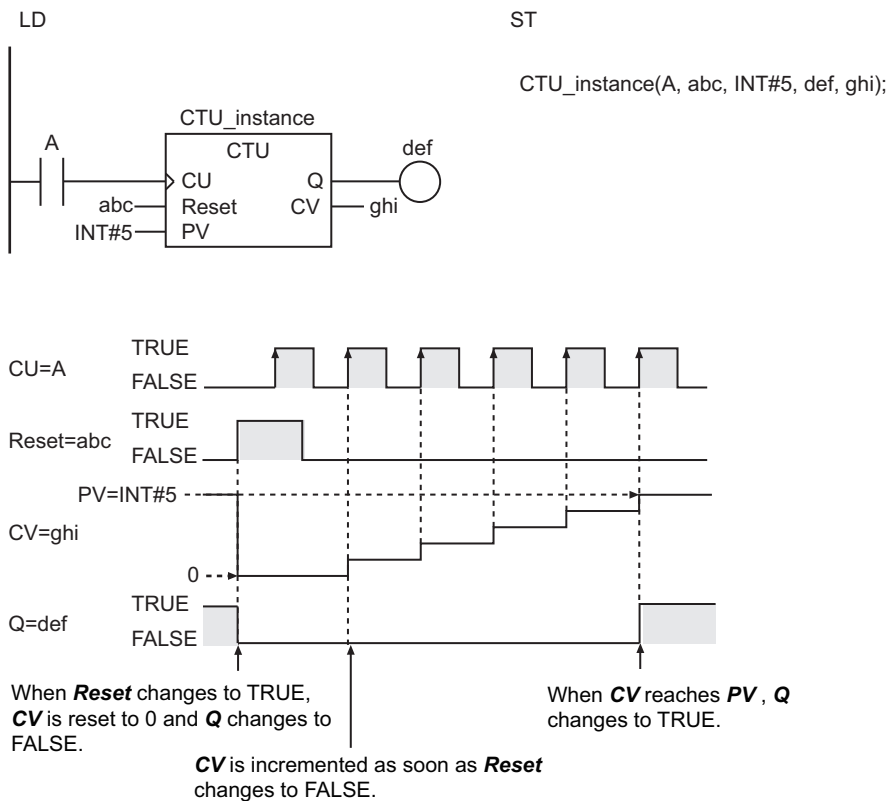
When reset signal *Reset* changes to TRUE, counter value *CV* changes to 0 and counter output *Q* changes to FALSE.

When counter input signal *CU* changes to TRUE, *CV* is incremented. When the value of *CV* reaches the value of *PV* or higher, the value of *Q* changes to TRUE.

After the value of *CV* reaches the value of *PV* or higher, the value of *CV* does not change even if the value of *CU* changes to TRUE.

*CU* is ignored while *Reset* is TRUE. *CV* is not incremented.

The following figure shows a programming example and timing chart for a *PV* of INT#5.



### Additional Information

- Use the instruction, *CTD* on page 2-156, to create a counter that decrements the counter value each time the counter input signal is received.
- Use the instruction, *CTUD* on page 2-167, to create a counter that can be both incremented and decremented.

### Precautions for Correct Use

- Change *Reset* to TRUE and then back to FALSE to restart a counter that has completed counting up.
- Even when *PV* is set to a negative value, *CV* is set to 0 when the value of *Reset* changes to TRUE. The value of *CV* is higher than that of *PV*, so the value of *Q* changes to TRUE immediately. After that, the value of *CV* will not be incremented even if the value of *CU* changes.
- The following operation is performed if the value of *PV* is changed while the value of *Reset* is FALSE.

Value of <i>PV</i>	Meaning
Larger than the current value of <i>CV</i>	The count operation is continued.

Value of <i>PV</i>	Meaning
Equal to or smaller than the current value of <i>CV</i>	The count operation is ended. The value of <i>Q</i> changes to TRUE. The current value of <i>CV</i> is retained and will not change.

- If the value of *CU* is FALSE and the power supply is interrupted or the operating mode is changed to PROGRAM mode, the value of *CV* is incremented once when this instruction is restarted while the value of *CU* is TRUE.
- If this instruction is used in a ladder diagram, the value of *Q* changes to FALSE if an error occurs in the previous instruction on the rung.

# CTU\_\*\*

The CTU\_\*\* instruction increments the counter value when the counter input signal is received. The preset value and counter value must be one of the following data types: DINT, LINT, UDINT, or ULINT.

Instruction	Name	FB/ FUN	Graphic expression	ST expression
CTU_**	Up-counter Group	FB	<p>**** must be DINT, LINT, UDINT, or ULINT.</p>	CTU_**_instance (CU, Reset, PV, Q, CV);  **** must be DINT, LINT, UDINT, or ULINT.

## Variables

	Meaning	I/O	Description	Valid range	Unit	Default
CU	Counter input	Input	Counter input	Depends on data type.	---	FALSE
Reset*1	Reset signal		TRUE: Reset CV to 0			
PV	Preset value		Counter preset value	Depends on data type.*2		0
Q	Counter output	Output	TRUE: Counter output ON FALSE: Counter output OFF	Depends on data type.	---	---
CV	Counter value		Counter present value	Depends on data type.*2		

\*1. On Sysmac Studio version 1.03 or higher, you can use *R* instead of *Reset* to more clearly show the correspondence between the variables and the parameter names in ST expressions.

For example, you can use the following notation: CTU\_LINT\_instance(CU:=A, R:=abc, PV:=LINT#5, Q=>def, CV=>ghi);.

\*2. Negative numbers are excluded.

	Boo lean	Bit strings					Integers							Real numbers		Times, durations, dates, and text strings				
	BOOL	BYTE	WORD	DWORD	LWORD	USINT	UINT	UDINT	ULINT	SINT	INT	DINT	LINT	REAL	LREAL	TIME	DATE	TOD	DT	STRING
CU	OK																			
Reset	OK																			
PV								OK	OK			OK	OK							
Q	OK																			
CV	Must be the same data type as PV																			

## Function

The CTU\_\*\* instruction creates an up counter. The preset value and counter value must be one of the following data types: DINT, LINT, UDINT, or ULINT.

The name of the instruction is determined by the data type of *PV* and *CV*. For example, if they are the LINT data type, the instruction is CTU\_LINT.

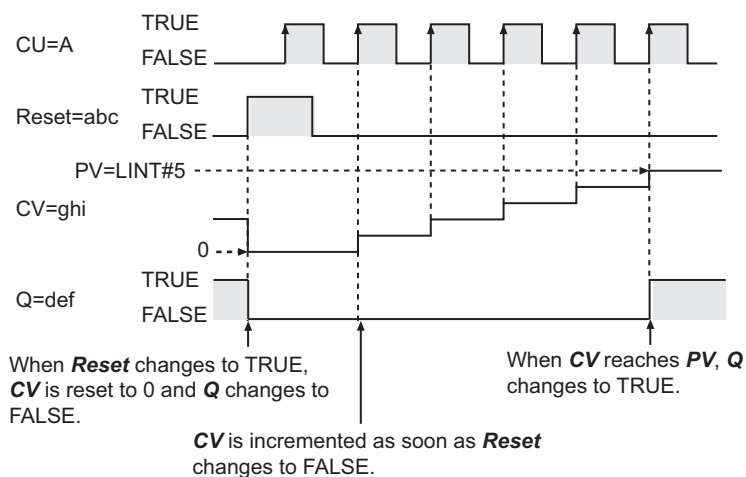
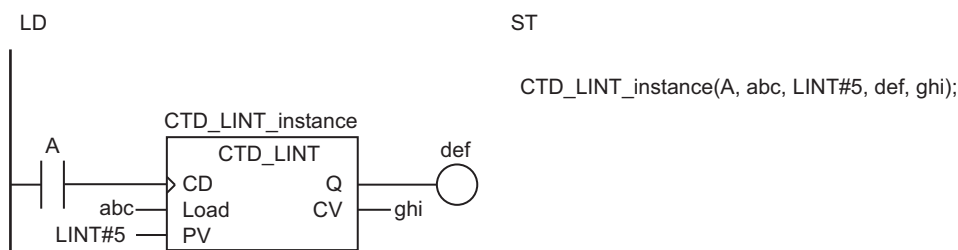
When reset signal *Reset* changes to TRUE, counter value *CV* changes to 0 and counter output *Q* changes to FALSE.

When counter input signal *CU* changes to TRUE, *CV* is incremented. When the value of *CV* reaches the value of *PV* or higher, the value of *Q* changes to TRUE.

After the value of *CV* reaches the value of *PV* or higher, the value of *CV* does not change even if the value of *CU* changes to TRUE.

*CU* is ignored while *Reset* is TRUE. *CV* is not incremented.

The following figure shows a CTU\_LINT programming example and timing chart for a *PV* of LINT#5.



## Additional Information

- Use the instruction, *CTD* on page 2-156, to create a counter that decrements the counter value each time the counter input signal is received.
- Use the instruction, *CTUD* on page 2-167, to create a counter that can be both incremented and decremented.

## Precautions for Correct Use

- Change *Reset* to TRUE and then back to FALSE to restart a counter that has completed counting up.
- Even when *PV* is set to a negative value, *CV* is set to 0 when the value of *Reset* changes to TRUE. The value of *CV* will be higher than that of *PV*, so the value of *Q* changes to TRUE immediately. After that, the value of *CV* is not incremented even if the value of *CU* changes.
- Use the same data type for *PV* and *CV*.
- The following operation is performed if the value of *PV* is changed while the value of *Reset* is FALSE.

Value of <i>PV</i>	Meaning
Larger than the current value of <i>CV</i>	The count operation is continued.
Equal to or smaller than the current value of <i>CV</i>	The count operation is ended. The value of <i>Q</i> changes to TRUE. The current value of <i>CV</i> is retained and will not change.

- If the value of *CU* is FALSE and the power supply is interrupted or the operating mode is changed to PROGRAM mode, the value of *CV* is incremented once when this instruction is restarted while the value of *CU* is TRUE.
- If this instruction is used in a ladder diagram, the value of *Q* changes to FALSE if an error occurs in the previous instruction on the rung.



# CTUD

The CTUD instruction creates an up-down counter that operates according to an up-counter input and a down-counter input. The preset value and counter value must have an INT data type.

Instruction	Name	FB/ FUN	Graphic expression	ST expression
CTUD	Up-down Counter	FB		CTUD_instance (CU, CD, Reset, Load, PV, QU, QD, CV);

## Variables

	Meaning	I/O	Description	Valid range	Unit	Default
CU	Up-counter input	Input	Up counter input	Depends on data type.	---	FALSE
CD	Down-counter input		Down counter input			
Reset* <sup>1</sup>	Reset signal		TRUE: Reset CV to 0			
Load* <sup>1</sup>	Load signal		TRUE: CV set to PV			
PV	Preset value	Output	The final counter value when operating as an up counter The initial counter value when operating as a down counter	0 to 32767	---	0
QU	Up-counter output		TRUE: up-counter output ON FALSE: up-counter output OFF	Depends on data type.	---	---
QD	Down-counter output		TRUE: down-counter output ON FALSE: down-counter output OFF			
CV	Counter value		Counter present value	0 to 32767		

\*1. On Sysmac Studio version 1.03 or higher, you can use *R* instead of *Reset* and *LD* instead of *Load* to more clearly show the correspondence between the variables and the parameter names in ST expressions.

For example, you can use the following notation: CTUD\_instance(CU:=A, CD:=B, R:=abc, LD:=def, PV:=INT#3, QU=>ghi, QD=>jkl, CV=>mno);

	Boo lean	Bit strings					Integers							Real num bers		Times, durations, dates, and text strings				
	BOOL	BYTE	WORD	DWORD	LWORD	USINT	UINT	UDINT	ULINT	SINT	INT	DINT	LINT	REAL	LREAL	TIME	DATE	TOD	DT	STRING
CU	OK																			
CD	OK																			

	Boo lean	Bit strings					Integers							Real num- bers		Times, durations, dates, and text strings				
	BOOL	BYTE	WORD	DWORD	LWORD	USINT	UINT	UDINT	ULINT	SINT	INT	DINT	LINT	REAL	LREAL	TIME	DATE	TOD	DT	STRING
Reset	OK																			
Load	OK																			
PV										OK										
QU	OK																			
QD	OK																			
CV										OK										

## Function

The CTUD instruction creates an up-down counter that operates according to an up-counter input signal and a down-counter input signal.

It has the functions of both an up counter and a down counter.

The preset value and counter value must have an INT data type.

### Operation as an Up Counter

When reset signal *Reset* changes to TRUE, counter value *CV* changes to 0 and up-counter output *QU* changes to FALSE.

When up-counter input signal *CU* changes to TRUE, *CV* is incremented. When the value of *CV* reaches the value of *PV* or higher, the value of *QU* changes to TRUE.

After the value of *CV* reaches the value of *PV* or higher, the value of *CV* does not change even if the value of *CU* changes to TRUE.

### Operation as a Down Counter

When load signal *Load* changes to TRUE, counter value *CV* changes to the value of preset value *PV* and down-counter output *QD* changes to FALSE.

When down-counter input signal *CD* changes to TRUE, *CV* is decremented. When the value of *CV* reaches 0 or less, the value of *QD* changes to TRUE.

After the value of *CV* reaches 0 or less, *CV* does not change even if *CD* changes to TRUE.

### Common Operation for Up and Down Counters

*CU* and *CD* are ignored while *Load* and *Reset* are TRUE. *CV* is not incremented or decremented.

If both *CU* and *CD* change to TRUE at the same time, *CV* will not change.

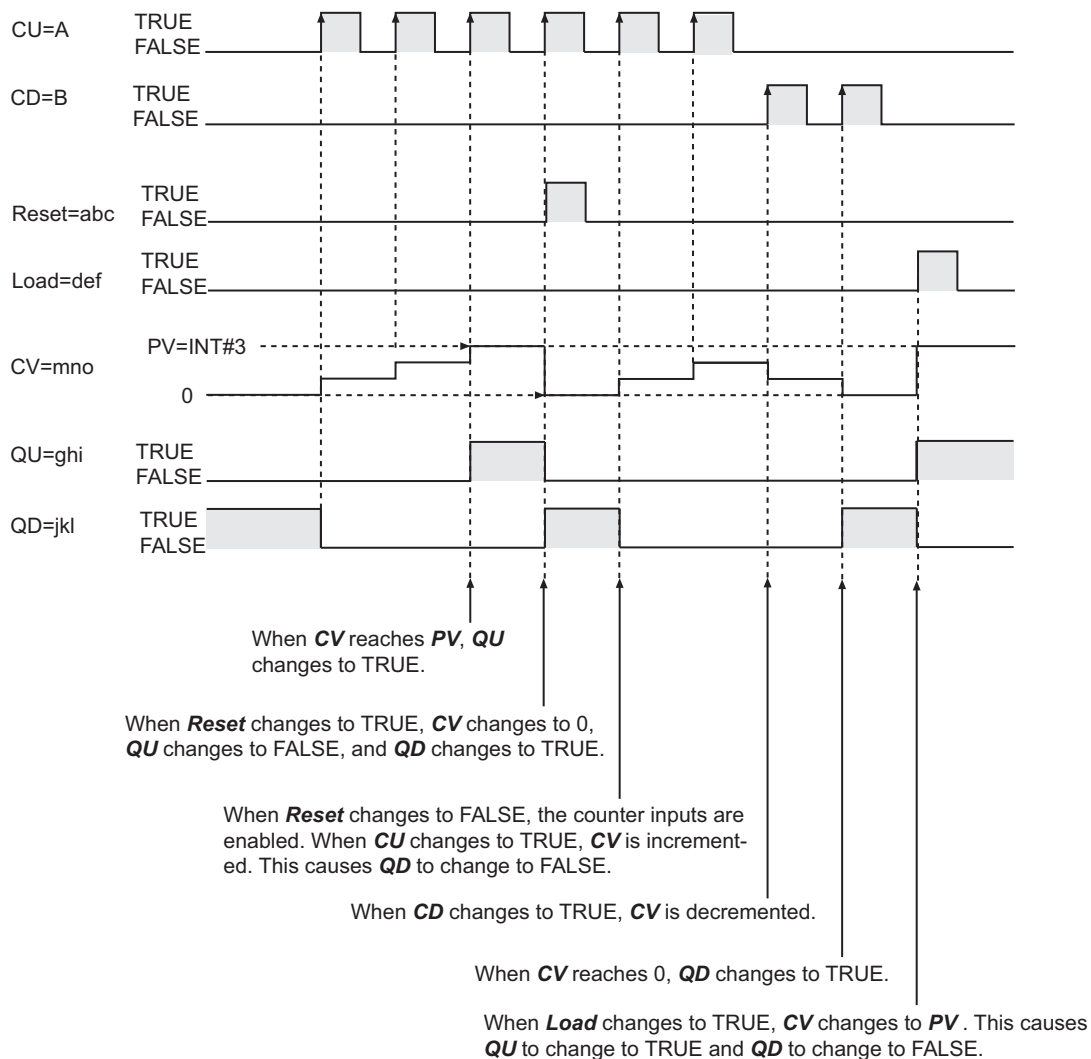
If *Reset* and *Load* are both TRUE, *Reset* has priority and the value of *CV* changes to 0.

If *Reset* changes to TRUE, *CV* changes to 0, and so *QD* changes to TRUE.

If *Load* changes to TRUE, the value of *CV* changes to *PV*, and so *QU* changes to TRUE.

The following table shows the relationship between *Reset*, *Load*, *CV*, *QU*, and *QD*. This assumes that the value of *PV* is larger than 0.





## Additional Information

Use *CTD* on page 2-156 or *CTU* on page 2-161 to create either a down counter or up counter alone.

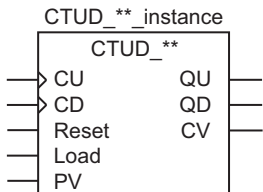
## Precautions for Correct Use

- If you change *Reset* to TRUE to reset the up-counter operation, *QU* will change to FALSE and *QD* will change to TRUE.
- If you change *Load* to TRUE to reset the down-counter operation, *QD* will change to FALSE and *QU* will change to TRUE.
- Even when *PV* is set to a negative value, *CV* is set to the value of *PV* when the value of *Load* changes to TRUE. The value of *CV* is 0 or less, so the value of *QD* will change to TRUE immediately. After that, the value of *CV* will not be decremented even if the value of *CD* changes. When the value of *Reset* changes to TRUE, the value of *CV* changes to 0. The value of *CV* is equal to or higher than *PV*, so the value of *QU* changes to TRUE immediately. After that, the value of *CV* will not be incremented even if the value of *CU* changes.
- You can change the value of *PV* during execution of the instruction. If the new value of *PV* is less than the current value of *CV*, the value of *QU* changes to TRUE immediately.

- If the value of *CU* or *CD* is FALSE and the power supply is interrupted or the operating mode is changed to PROGRAM mode, the value of *CV* is incremented or decremented once when this instruction is restarted while the value of *CU* or *CD* is TRUE.

# CTUD\_\*\*

The CTUD\_\*\* instruction creates an up-down counter that operates according to an up-counter input and a down-counter input. The preset value and counter value must be one of the following data types: DINT, LINT, UDINT, or ULINT.

Instruction	Name	FB/ FUN	Graphic expression	ST expression
CTUD_**	Up-down Counter Group	FB	 <p>**** must be DINT, LINT, UDINT, or ULINT.</p>	CTUD_**_instance (CU, CD, Reset, Load, PV, QU, QD, CV);  **** must be DINT, LINT, UDINT, or ULINT.

## Variables

	Meaning	I/O	Description	Valid range	Unit	Default
CU	Up-counter input	Input	Up counter input	Depends on data type.	---	FALSE
CD	Down-counter input		Down counter input			
Reset <sup>*1</sup>	Reset signal		TRUE: Reset CV to 0			
Load <sup>*1</sup>	Load signal		TRUE: CV set to PV			
PV	Preset value		The final counter value when operating as an up counter The initial counter value when operating as a down counter	Depends on data type. <sup>*2</sup>	---	0
QU	Up-counter output	Output	TRUE: up-counter output ON FALSE: up-counter output OFF	Depends on data type.	---	---
QD	Down-counter output		TRUE: down-counter output ON FALSE: down-counter output OFF			
CV	Counter value		Counter present value	Depends on data type. <sup>*2</sup>		

\*1. On Sysmac Studio version 1.03 or higher, you can use *R* instead of *Reset* and *LD* instead of *Load* to more clearly show the correspondence between the variables and the parameter names in ST expressions. For example, you can use the following notation: CTUD\_LINT\_instance(CU:=A, CD:=B, R:=abc, LD:=def, PV:=LINT#3, QU=>ghi, QD=>jkl, CV=>mno);.

\*2. Negative numbers are excluded.

	Boo lean	Bit strings				Integers							Real num- bers		Times, durations, dates, and text strings					
	BOOL	BYTE	WORD	DWORD	LWORD	USINT	UINT	UDINT	ULINT	SINT	INT	DINT	LINT	REAL	LREAL	TIME	DATE	TOD	DT	STRING
CU	OK																			
CD	OK																			
Reset	OK																			
Load	OK																			
PV								OK	OK			OK	OK							
QU	OK																			
QD	OK																			
CV	Must be the same data type as <i>PV</i>																			

## Function

The CTUD\_\*\* instruction creates an up-down counter that operates according to an up-counter input signal and a down-counter input signal.

The counter has the functions of both an up counter and a down counter.

The preset value and counter value must be one of the following data types: DINT, LINT, UDINT, or ULINT.

The name of the instruction is determined by the data type of *PV* and *CV*. For example, if they are the LINT data type, the name of the instruction is CTUD\_LINT.

## Operation as an Up Counter

When reset signal *Reset* changes to TRUE, counter value *CV* changes to 0 and up-counter output *QU* changes to FALSE.

When up-counter input signal *CU* changes to TRUE, *CV* is incremented. When the value of *CV* reaches the value of *PV* or higher, the value of *QU* changes to TRUE.

After the value of *CV* reaches the value of *PV* or higher, the value of *CV* does not change even if the value of *CU* changes to TRUE.

## Operation as a Down Counter

When load signal *Load* changes to TRUE, counter value *CV* changes to the value of preset value *PV* and down-counter output *QD* changes to FALSE.

When down-counter input signal *CD* changes to TRUE, *CV* is decremented. When the value of *CV* reaches 0 or less, the value of *QD* changes to TRUE.

After the value of *CV* reaches 0 or less, *CV* does not change even if *CD* changes to TRUE.

## Common Operation for Up and Down Counters

*CU* and *CD* are ignored while *Load* or *Reset* is TRUE. *CV* is not incremented or decremented.

If both *CU* and *CD* change to TRUE at the same time, *CV* will not change.

If *Reset* and *Load* are both TRUE, *Reset* has priority and the value of *CV* changes to 0.

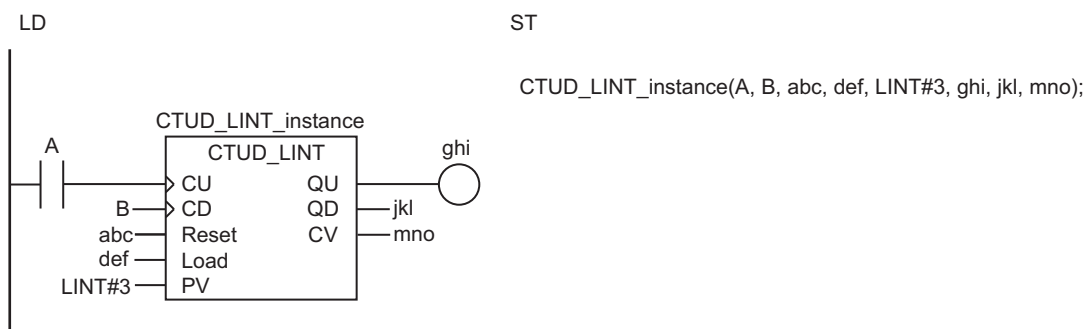
If *Reset* changes to TRUE, *CV* changes to 0, and so *QD* changes to TRUE.

If *Load* changes to TRUE, the value of *CV* changes to *PV*, and so *QU* changes to TRUE.

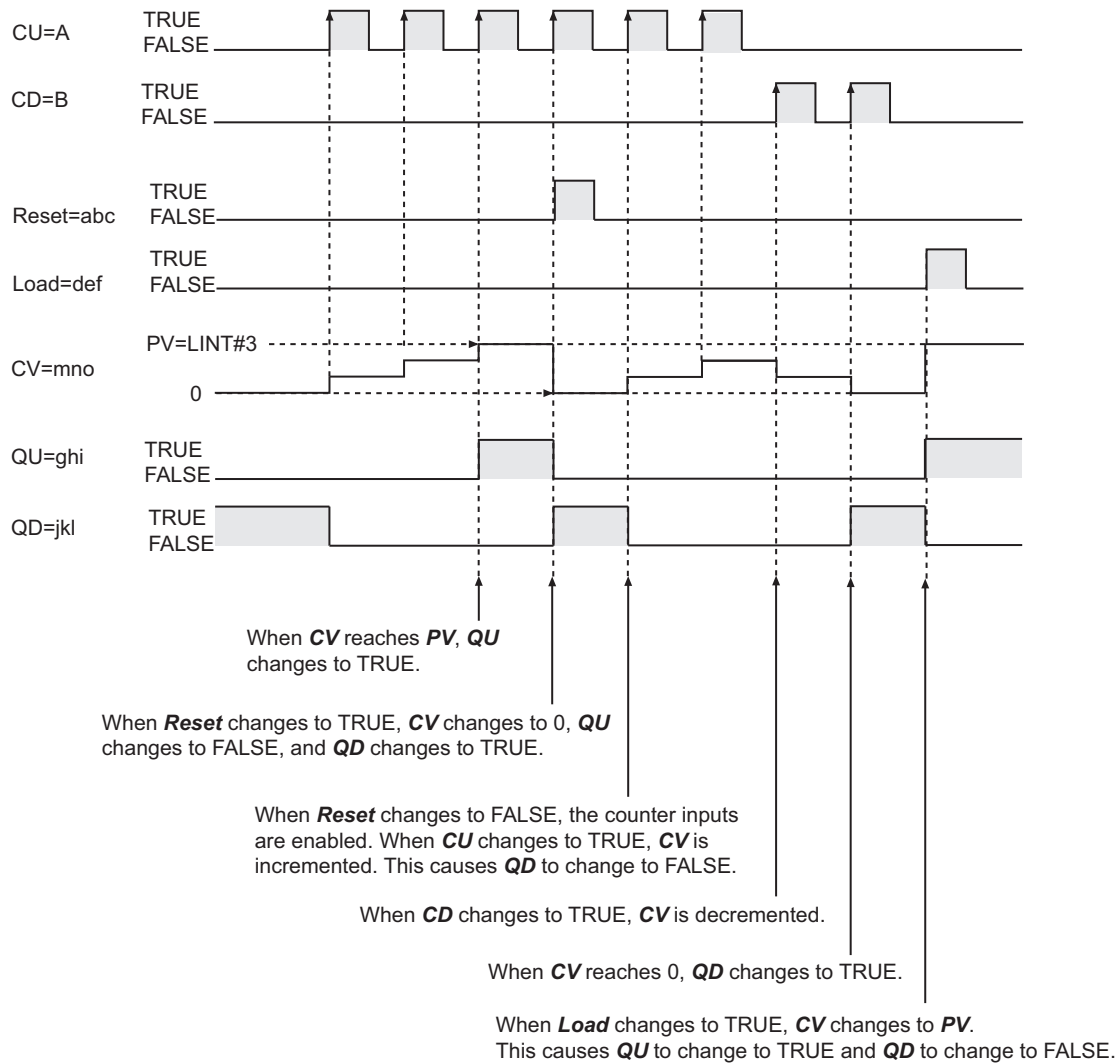
The following table shows the relationship between *Reset*, *Load*, *CV*, *QU*, and *QD*. This assumes that the value of *PV* is larger than 0.

Reset	Load	CV	QU	QD	Operation
FALSE	FALSE	0 or lower	FALSE	TRUE	Only up counter operation is performed. • <i>CV</i> is incremented when <i>CU</i> changes to TRUE. It is not decremented when <i>CD</i> changes to TRUE.
		Between 0 and <i>PV</i>	FALSE	FALSE	Both up and down counter operation is performed. • <i>CV</i> is incremented when <i>CU</i> changes to TRUE and decremented when <i>CD</i> changes to TRUE.
		<i>PV</i> or higher	TRUE	FALSE	Only down counter operation is performed. • <i>CV</i> is decremented when <i>CD</i> changes to TRUE. It is not incremented when <i>CU</i> changes to TRUE.
TRUE	FALSE	0	FALSE	TRUE	The up counter is reset. • The value of <i>CV</i> is set to 0.
FALSE	TRUE	<i>PV</i>	TRUE	FALSE	The down counter is reset. • The value of <i>CV</i> is set to <i>PV</i> .
TRUE	TRUE	0	FALSE	TRUE	The up counter is reset. <i>Reset</i> take priority over <i>Load</i> . • The value of <i>CV</i> is set to 0.

The following figure shows a CTUD\_LINT programming example and timing chart for a *PV* of LINT#3.







## Additional Information

Use `CTD_**` on page 2-158 or `CTU_**` on page 2-164 to create either a down counter or up counter alone.

## Precautions for Correct Use

- If you change *Reset* to TRUE to reset the up-counter operation, *QU* will change to FALSE and *QD* will change to TRUE.
- If you change *Load* to TRUE to reset the down-counter operation, *QD* will change to FALSE and *QU* will change to TRUE.
- Even when *PV* is set to a negative value, *CV* is set to the value of *PV* when the value of *Load* changes to TRUE. The value of *CV* is 0 or less, so the value of *QD* will change to TRUE immediately. After that, the value of *CV* will not be decremented even if the value of *CD* changes. When the value of *Reset* changes to TRUE, the value of *CV* changes to 0. The value of *CV* will be the value of *PV* or higher, so the value of *QU* changes to TRUE immediately. After that, the value of *CV* will not be incremented even if the value of *CU* changes.
- You can change the value of *PV* during execution of the instruction. If the new value of *PV* is less than the current value of *CV*, the value of *QU* changes to TRUE immediately.

- Use the same data type for *PV* and *CV*.
- If the value of *CU* or *CD* is *FALSE* and the power supply is interrupted or the operating mode is changed to *PROGRAM* mode, the value of *CV* is incremented or decremented once when this instruction is restarted while the value of *CU* or *CD* is *TRUE*.

# Math Instructions

Instruction	Name	Page
ADD (+)	Addition	page 2-179
AddOU (+OU)	Addition with Overflow Check	page 2-183
SUB (-)	Subtraction	page 2-187
SubOU (-OU)	Subtraction with Overflow Check	page 2-190
MUL (*)	Multiplication	page 2-194
MulOU (*OU)	Multiplication with Overflow Check	page 2-198
DIV (/)	Division	page 2-202
MOD	Modulo-division	page 2-205
ABS	Absolute Value	page 2-207
RadToDeg and DegToRad	Radians to Degrees/Degrees to Radians	page 2-209
SIN, COS, and TAN	Sine in Radians/Cosine in Radians/Tangent in Radians	page 2-211
ASIN, ACOS, and ATAN	Principal Arc Sine/Principal Arc Cosine/Principal Arc Tangent	page 2-214
SQRT	Square Root	page 2-217
LN and LOG	Natural Logarithm/Logarithm Base 10	page 2-220
EXP	Natural Exponential Operation	page 2-224
EXPT (**)	Exponentiation	page 2-226
Inc and Dec	Increment/Decrement	page 2-232
Rand	Random Number	page 2-234
AryAdd	Array Addition	page 2-236
AryAddV	Array Value Addition	page 2-238
ArySub	Array Subtraction	page 2-240

<b>Instruction</b>	<b>Name</b>	<b>Page</b>
ArySubV	Array Value Subtraction	page 2-242
AryMean	Array Mean	page 2-244
ArySD	Array Element Standard Deviation	page 2-246
ModReal	Real Number Modulo-division	page 2-248
Fraction	Real Number Fraction	page 2-250
CheckReal	Real Number Check	page 2-252

# ADD (+)

The ADD (+) instruction adds integers or real numbers. It also joins text strings.

Instruction	Name	FB/ FUN	Graphic expression	ST expression
ADD (+)	Addition	FUN		Out:=In1 + In2;

## Variables

	Meaning	I/O	Description	Valid range	Unit	Default
In1 to InN	Add values	Input	Numbers to add Ladder diagram: N = 2 to 5 ST: N = 2*1	Depends on data type.	---	0*2
Out	Output value	Output	Output value	Depends on data type.	---	---

- \*1. You can use more than one instruction as operators in one expression, such as result := val1 + val2 + val3;. You can use up to 64 instructions in one expression.
- \*2. If you omit the input parameter that connects to *InN*, the default value is not applied, and a building error will occur. For example, where N is 3, if the input parameters that connect to *In1* and *In2* are omitted, the default values are applied. But if the input parameter that connects to *In3* is omitted, a building error will occur.

	Boolean	Bit strings					Integers							Real numbers		Times, durations, dates, and text strings				
	BOOL	BYTE	WORD	DWORD	LWORD	USINT	UINT	UDINT	ULINT	SINT	INT	DINT	LINT	REAL	LREAL	TIME	DATE	TOD	DT	STRING
In1 to InN						OK	OK	OK	OK	OK	OK	OK	OK	OK	OK					OK
Out						OK	OK	OK	OK	OK	OK	OK	OK	OK	OK					OK

## Function

In a ladder diagram, the Add (+) instruction adds up two or more and five or less integers or real numbers, and outputs the result to output value *Out*.

In ST, the Add instruction adds two integers or real numbers, and outputs the result to output value *Out*.

The variables, *In1* to *InN* (Add values) can have different data types. In the combination of the different data types, however, one of the data types should be able to accommodate values held by the other



The ADD instruction adds *In1* through *InN*.  
The calculation is  $10 + 20 + 30 = 60$ , so the value of *abc* will be INT#60.

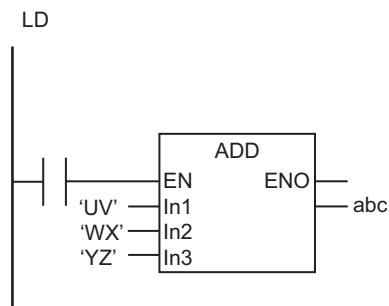


## Joining Text Strings

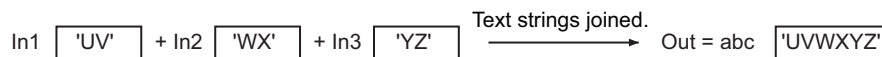
If *In1* to *InN* are STRING data, the text strings are joined.

However, if *In1* to *InN* are STRING data, you must use the instruction in a ladder diagram.

The following shows an example where *In1*, *In2*, and *In3* are UV, WX, and YZ, respectively. The value of STRING variable *abc* will be 'UVWXYZ'.



Text strings of *In1* to *InN* are joined to make one text string.  
The calculation is 'UV' + 'WX' + 'YZ' = 'UVWXYZ', so the value of *abc* will be 'UVWXYZ'.



## Differences in Specifications between Ladder Diagrams and ST

Specifications of this instruction depend on whether it is used in a ladder diagram or ST. The following table gives the differences in specifications. In ladder diagrams, the specifications of the ADD instruction and the + instruction are exactly the same.

Item	Ladder diagram	ST
Maximum number of values to add	5	2 <sup>*1</sup>
Omitting input parameters for values to add	You can omit parameters except for the input parameters connected to <i>InN</i> .	You cannot omit any input parameters.
Existence of <i>EN</i> and <i>ENO</i>	Present	None
Number of data processing bits if the values to add are all integer data	8, 16, 32, or 64 <sup>*2</sup>	32 or 64 <sup>*3</sup>
Joining of text strings	Possible	Not possible

Item	Ladder diagram	ST
Errors	An error occurs if the size that results from joining text strings exceeds 1,986 bytes.	None

- \*1. You can use more than one Add instruction as operators in one expression, such as `result := val1 + val2 + val3`. You can use up to 64 instructions in one expression.
- \*2. The number of processing bits is aligned with the largest data type of all the values to add. For example, if you add SINT, INT, and DINT data, the data processing bits will be aligned to the size of DINT data, i.e., 32-bit processing is performed.
- \*3. If there is no LINT or ULINT data in the values to add, 32-bit processing is used. For example, if two SINT values are added up, 32-bit processing is used. If there is LINT or ULINT data in the values to add, 64-bit processing is used.

## Additional Information

- When you calculate real numbers, use the instruction, *CheckReal* on page 2-252, to check if *Out* is positive infinity, negative infinity, or non-numeric data.
- Use the instruction, *CONCAT* on page 2-584, to join text strings in structured text.

## Precautions for Correct Use

- *Out* can have a different data type than the addition result. However, it should be able to accommodate the valid value range of the data type of the addition result. Otherwise, a building error will occur.  
For casting between data types, refer to *Data Type Ranking Table* and *Casting Rules* in the *NJ/NX-series CPU Unit Software User's Manual (Cat. No. W501)*.
- When you join text strings, use STRING data for *In1* to *InN*, and *Out*.
- An error will not occur even if an underflow or overflow occurs in the addition.
- If an underflow or overflow occurs in addition, the calculation result may not be as expected. Allow sufficient leeway in the sizes of the data types for input and output parameters so that overflows and underflows will not occur.
- The calculation result after an underflow or overflow may vary depending on the environment in which the program is executed, such as the simulator and CPU Unit model. By using AddOU, SubOU, and MulOU instructions, you can detect unexpected underflow or overflow.
- Addition of real number values with positive or negative infinity is handled as follows.

Addition	Addition result
$+\infty$ plus number	$+\infty$
$-\infty$ plus number	$-\infty$
$+\infty$ plus $+\infty$	$+\infty$
$-\infty$ plus $-\infty$	$-\infty$
$+\infty$ plus $-\infty$	Nonnumeric data

- If any of the variables from *In1* to *InN* is nonnumeric data, the value of the addition result is nonnumeric data.
- An error will occur in the following case. *ENO* will be FALSE, and *Out* will not change.
  - a) The size of the joined text string exceeds 1,986 bytes.



# AddOU (+OU)

The AddOU (+OU) instruction adds integers and real numbers. It also performs an overflow check for the integer addition result.

Instruction	Name	FB/ FUN	Graphic expression	ST expression
AddOU (+OU)	Addition with Overflow Check	FUN		Out:=AddOU(In1, ..., InN);

## Variables

	Meaning	I/O	Description	Valid range	Unit	Default
In1 to InN	Add values	Input	Numbers to add N = 2 to 5	Depends on data type.	---	0*1
Out	Output Value	Output	Output Value	Depends on data type.	---	---

\*1. If you omit the input parameter that connects to *InN*, the default value is not applied, and a building error will occur. For example, where N is 3, if the input parameters that connect to *In1* and *In2* are omitted, the default values are applied. But if the input parameter that connects to *In3* is omitted, a building error will occur.

	Boo lean	Bit strings					Integers							Real number		Times, durations, dates, and text strings				
	BOOL	BYTE	WORD	DWORD	LWORD	USINT	UINT	UDINT	ULINT	SINT	INT	DINT	LINT	REAL	LREAL	TIME	DATE	TOD	DT	STRING
In1 to InN						OK	OK	OK	OK	OK	OK	OK	OK	OK *1	OK *1					
Out						OK	OK	OK	OK	OK	OK	OK	OK	OK	OK					

\*1. If any of the values from *In1* to *InN* is REAL data, an overflow check is not performed.

## Function

The AddOU (+OU) instruction adds up two or more and five or less integers or real numbers, and outputs the result to output value *Out*.

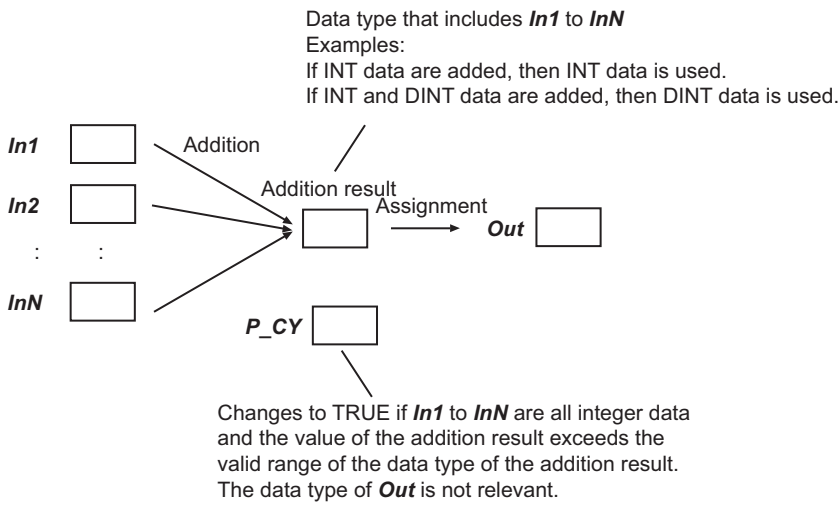
The variables, *In1* to *InN* (Add values), can have different data types. In the combination of the different data types, however, one of the data types should be able to accommodate values held by the other data types. Calculations are performed based on the data type that accommodates every possible value held by the other existing data types. For example, if *In1* and *In2* are INT data and DINT data, respectively, calculations are performed with DINT data. Here, the addition result is DINT data.

For casting between data types, refer to *Data Type Ranking Table* and *Casting Rules* in the *NJ/NX-series CPU Unit Software User's Manual (Cat. No. W501)*.

## Processing for Overflows

An overflow occurs if the sum of the variables from *In1* to *InN* exceeds the valid range of the data type of the addition result. If all of the variables from *In1* to *InN* are integer data, the value of the *P\_CY* system-defined variable (Carry Flag) changes to TRUE when an overflow occurs.

If any of the variables from *In1* to *InN* is REAL data, an overflow check is not performed. Therefore the value of *P\_CY* will not change.



If an overflow occurs, the data types of *In1* to *InN*, the data type of the addition result, the value of the addition result, and the value of *P\_CY* will be as shown in the following table.

Data types of <i>In1</i> to <i>InN</i>	Data type of addition result	Value of addition result	Value of <i>P_CY</i>
All integer data	Integer data	Of the sum of the variables from <i>In1</i> to <i>InN</i> , the addition result will be the value that can be expressed by the number of bits in the data type of the addition result.*1	TRUE
At least one real number	Real number data	$\pm\infty$ *2	Does not change.

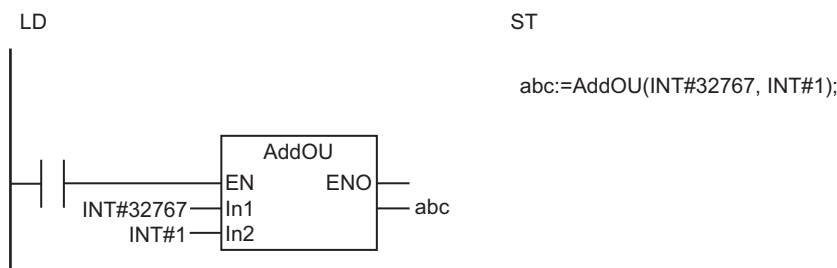
\*1. For example, if the values of *In1* and *In2* are INT#32767 and INT#3, respectively, the addition result will be INT data. The value of the addition result will be the lower 16 bits of the sum (32,770), i.e., INT#-32766.

\*2. If the sum of the variables from *In1* to *InN* is positive, the addition result will be positive infinity. If the sum is negative, the addition result will be negative infinity.

## Notation Examples

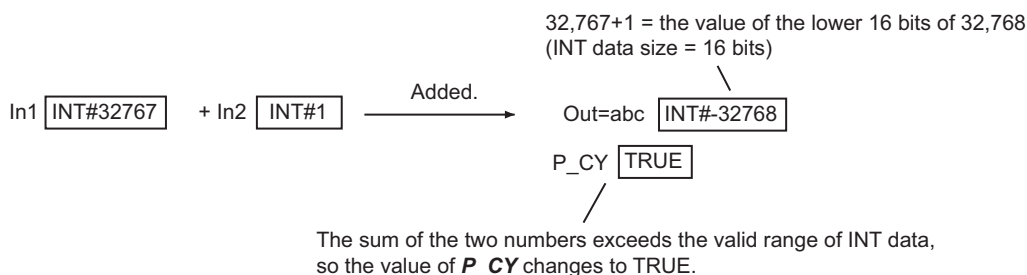
The following shows an example where *In1* and *In2* are INT#32767 and INT#1, respectively, and variable *abc* is INT data.

*In1* and *In2* are both INT data, so the addition result is INT data. The sum of the two values (32,768) exceeds the valid range of INT data, so the value of *P\_CY* changes to TRUE. The value of INT variable *abc* will be INT#-32768 (the lower 16 bits of 32768).



The AddOU instruction adds *In1* to *InN*.

The sum of the two numbers (32,768) exceeds the valid range of INT data, so the value of **P\_CY** changes to TRUE.



## Differences in Specifications between Ladder Diagrams and ST

There are no differences in the specifications of this instruction regardless of whether it is used in a ladder diagram or ST. In ladder diagrams, there are no differences in the specifications of the AddOU instruction and the +OU instruction.

### Related System-defined Variables

Name	Meaning	Data type	Description
P_CY	Carry (CY) Flag	BOOL	TRUE: Overflow occurred for integer calculations. FALSE: Overflow did not occur for integer calculations.

### Additional Information

- If *Out* is REAL data, use the instruction, *CheckReal* on page 2-252, to check if it is positive infinity, negative infinity, or non-numeric data.
- Use the instruction, *ADD (+)* on page 2-179, if there is no need for an overflow check. It will reduce processing time.

### Precautions for Correct Use

- *Out* can have a different data type than the addition result. However, it should be able to accommodate the valid value range of the data type of the addition result. Otherwise, a building error will occur.

For casting between data types, refer to *Data Type Ranking Table* and *Casting Rules* in the *NJ/NX-series CPU Unit Software User's Manual (Cat. No. W501)*.

- If an underflow or overflow occurs in addition, the calculation result may not be as expected. Allow sufficient leeway in the sizes of the data types for input and output parameters so that overflows and underflows will not occur.
- The calculation result after an underflow or overflow may vary depending on the environment in which the program is executed, such as the simulator and CPU Unit model.
- Addition of real number values with positive or negative infinity is handled as follows.

Addition	Addition result
$+\infty$ plus number	$+\infty$
$-\infty$ plus number	$-\infty$
$+\infty$ plus $+\infty$	$+\infty$
$-\infty$ plus $-\infty$	$-\infty$
$+\infty$ plus $-\infty$	Nonnumeric data

- If any of the variables from *In1* to *InN* is nonnumeric data, the value of the addition result is nonnumeric data.

# SUB (-)

The SUB (-) instruction subtracts integers and real numbers.

Instruction	Name	FB/ FUN	Graphic expression	ST expression
SUB (-)	Subtraction	FUN		Out:=In1 - In2;

## Variables

	Meaning	I/O	Description	Valid range	Unit	Default
In1	Minuend	Input	Minuend	Depends on data type.	---	0*1
In2	Subtrahend		Subtrahend			
Out	Output value	Output	Output Value	Depends on data type.	---	---

\*1. If you omit the input parameter, the default value is not applied. A building error will occur.

	Boo lean	Bit strings					Integers							Real num bers		Times, durations, dates, and text strings				
	BOOL	BYTE	WORD	DWORD	LWORD	USINT	UINT	UDINT	ULINT	SINT	INT	DINT	LINT	REAL	LREAL	TIME	DATE	TOD	DT	STRING
In1						OK	OK	OK	OK	OK	OK	OK	OK	OK						
In2						OK	OK	OK	OK	OK	OK	OK	OK	OK						
Out						OK	OK	OK	OK	OK	OK	OK	OK	OK						

## Function

The SUB (-) instruction subtracts subtrahend *In2* from minuend *In1*, and outputs the result to output value *Out*.

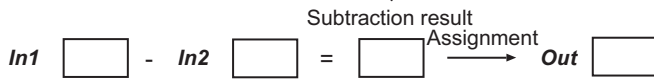
*In1* and *In2* can have different data types. In the combination of the different data types, however, one of the data types should be able to accommodate values held by the other data type. Calculations are performed based on the data type that accommodates every possible value held by the other existing data type. For example, if *In1* and *In2* are INT data and DINT data, respectively, calculations are performed with DINT data. Here, the subtraction result is DINT data.

Data type that includes *In1* and *In2*

Examples:

If subtraction is performed for INT data, then INT data is used.

If subtraction is performed for INT and DINT data, then DINT data is used.



For casting between data types, refer to *Data Type Ranking Table* and *Casting Rules* in the *NJ/NX-series CPU Unit Software User's Manual (Cat. No. W501)*.

## Processing for Overflows

An overflow occurs if the difference between *In1* and *In2* exceeds the valid range of the data type of the subtraction result. If an overflow occurs, the data types of *In1* and *In2*, the data type of the subtraction result, and the value of the subtraction result will be as shown in the following table.

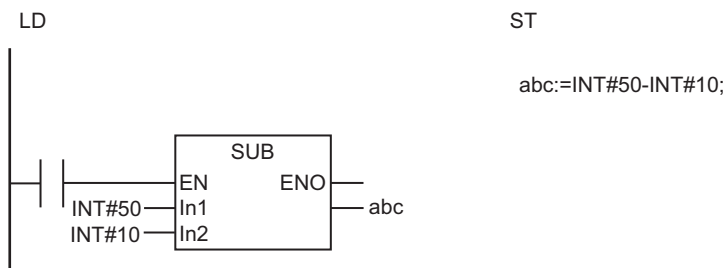
Data types of <i>In1</i> and <i>In2</i>	Data type of subtraction result	Value of subtraction result
All integer data	Integer data	Of the difference between <i>In1</i> and <i>In2</i> , the subtraction result will be the value that can be expressed by the number of bits in the data type of the subtraction result.*1
At least one real number	Real number data	$\pm\infty$ *2

\*1. For example, if the values of *In1* and *In2* are INT#32767 and INT#-3, respectively, the subtraction result will be INT data. The value of the subtraction result will be the lower 16 bits of the difference (32,770), i.e., INT#-32766.

\*2. If the difference between *In1* and *In2* is positive, the subtraction result will be positive infinity. If the difference is negative, the subtraction result will be negative infinity.

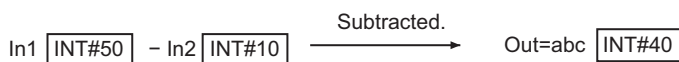
## Notation Examples

The following shows an example where *In1* and *In2* are INT#50 and INT#10, respectively. The value of INT variable *abc* will be INT#40.



The SUB instruction subtracts *In2* from *In1*.

The calculation is  $50 - 10 = 40$ , so the value of *abc* will be INT#40.



## Differences in Specifications between Ladder Diagrams and ST

Specifications of this instruction depend on whether it is used in a ladder diagram or ST. The following table gives the differences in specifications. In ladder diagrams, the specifications of the SUB instruction and the - instruction are exactly the same.

Item	Ladder diagram	ST
Existence of <i>EN</i> and <i>ENO</i>	Present	None
Number of data processing bits if the minuend and subtrahend are integer data	8, 16, 32, or 64* <sup>1</sup>	32 or 64* <sup>2</sup>

- \*1. The number of processing bits is aligned with the larger data type of the minuend and subtrahend. For example, if you perform subtraction for SINT and DINT data, the data processing bits will be aligned to the size of DINT data, i.e., 32-bit processing is performed.
- \*2. If there is no LINT or ULINT data in the minuend and subtrahend, 32-bit processing is used. For example, if you subtract one SINT value from another SINT value, 32-bit processing is used. If there is LINT or ULINT data in the minuend and subtrahend, 64-bit processing is used.

### Additional Information

When you calculate real numbers, use the instruction, *CheckReal* on page 2-252, to check if *Out* is positive infinity, negative infinity, or non-numeric data.

### Precautions for Correct Use

- *Out* can have a different data type than the subtraction result. However, it should be able to accommodate the valid value range of the data type of the subtraction result. Otherwise, a building error will occur.

For casting between data types, refer to *Data Type Ranking Table* and *Casting Rules* in the *NJ/NX-series CPU Unit Software User's Manual (Cat. No. W501)*.

- An error will not occur even if an underflow or overflow occurs in the subtraction.
- If an underflow or overflow occurs in subtraction, the calculation result may not be as expected. Allow sufficient leeway in the sizes of the data types for input and output parameters so that overflows and underflows will not occur.
- The calculation result after an underflow or overflow may vary depending on the environment in which the program is executed, such as the simulator and CPU Unit model. By using AddOU, SubOU, and MulOU instructions, you can detect unexpected underflow or overflow.
- Subtraction of real number values with positive or negative infinity is handled as follows.

Subtraction	Subtraction result
+∞ minus number	+∞
Number minus +∞	-∞
-∞ minus number	-∞
Number minus -∞	+∞
+∞ minus +∞	Nonnumeric data
+∞ minus -∞	+∞
-∞ minus +∞	-∞
-∞ minus -∞	Nonnumeric data

- If the value of either *In1* or *In2* is nonnumeric data, the value of the subtraction result is nonnumeric data.

# SubOU (-OU)

The SubOU (-OU) instruction subtracts integers or real numbers. It also performs an overflow check for the integer subtraction result.

Instruction	Name	FB/ FUN	Graphic expression	ST expression
SubOU (-OU)	Subtraction with Overflow Check	FUN		Out:=SubOU(In1, In2);

## Variables

	Meaning	I/O	Description	Valid range	Unit	Default
In1	Minuend	Input	Minuend	Depends on data type.	---	0*1
In2	Subtrahend		Subtrahend			
Out	Output value	Output	Output Value	Depends on data type.	---	---

\*1. If you omit the input parameter, the default value is not applied. A building error will occur.

	Boo lean	Bit strings				Integers								Real num- bers		Times, durations, dates, and text strings				
	BOOL	BYTE	WORD	DWORD	LWORD	USINT	UINT	UDINT	ULINT	SINT	INT	DINT	LINT	REAL	LREAL	TIME	DATE	TOD	DT	STRING
In1						OK	OK	OK	OK	OK	OK	OK	OK	OK *1	OK *1					
In2						OK	OK	OK	OK	OK	OK	OK	OK	OK *1	OK *1					
Out						OK	OK	OK	OK	OK	OK	OK	OK	OK	OK					

\*1. If either *In1* or *In2* is REAL data, an overflow check is not performed.

## Function

The SubOU (-OU) instruction subtracts subtrahend *In2* from minuend *In1*, and outputs the result to output value *Out*.

*In1* and *In2* can have different data types. In the combination of the different data types, however, one of the data types should be able to accommodate values held by the other data type. Calculations are performed based on the data type that accommodates every possible value held by the other existing data type. For example, if *In1* and *In2* are INT data and DINT data, respectively, calculations are performed with DINT data. Here, the subtraction result is DINT data.

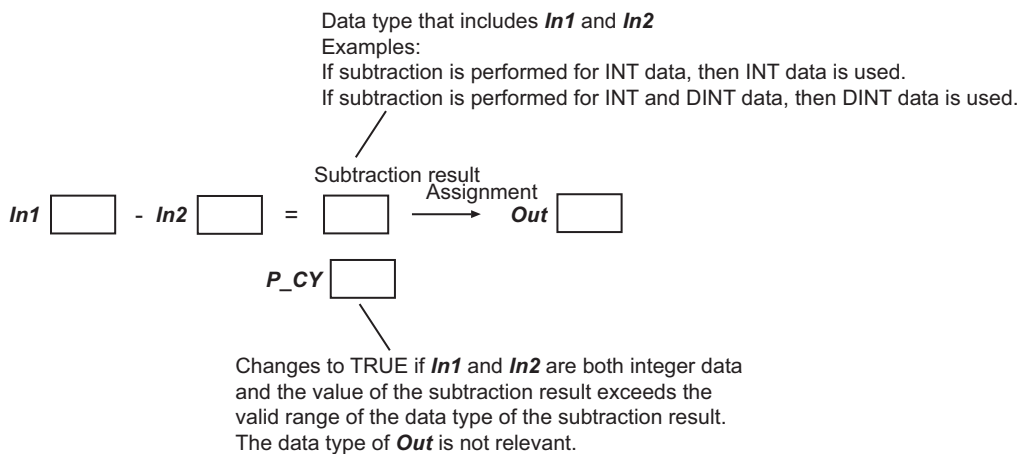


For casting between data types, refer to *Data Type Ranking Table* and *Casting Rules* in the *NJ/NX-series CPU Unit Software User's Manual (Cat. No. W501)*.

## Processing for Overflows

An overflow occurs if the difference between *In1* and *In2* exceeds the valid range of the data type of the subtraction result. If *In1* and *In2* are both integer data, the value of the *P\_CY* system-defined variable (Carry Flag) changes to TRUE when an overflow occurs.

If either *In1* or *In2* is REAL data, an overflow check is not performed. Therefore the value of *P\_CY* will not change.



If an overflow occurs, the data types of *In1* and *In2*, the data type of the subtraction result, the value of the subtraction result, and the value of *P\_CY* will be as shown in the following table.

Data types of <i>In1</i> and <i>In2</i>	Data type of subtraction result	Value of subtraction result	Value of <i>P_CY</i>
All integer data	Integer data	Of the difference between <i>In1</i> and <i>In2</i> , the subtraction result will be the value that can be expressed by the number of bits in the data type of the subtraction result.*1	TRUE
At least one real number	Real number data	$\pm\infty$ *2	Does not change.

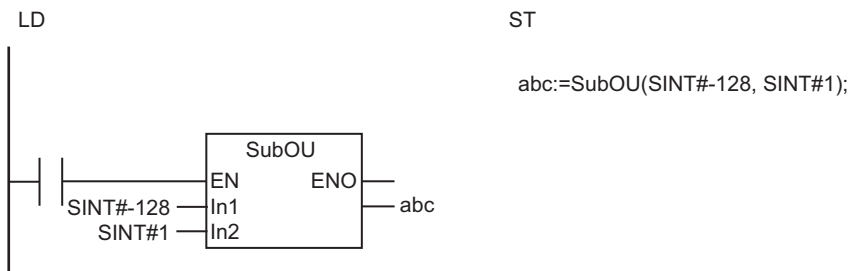
\*1. For example, if the values of *In1* and *In2* are INT#32767 and INT#-3, respectively, the subtraction result will be INT data. The value of the subtraction result will be the lower 16 bits of the difference (32,770), i.e., INT#-32766.

\*2. If the difference between *In1* and *In2* is positive, the subtraction result will be positive infinity. If the difference is negative, the subtraction result will be negative infinity.

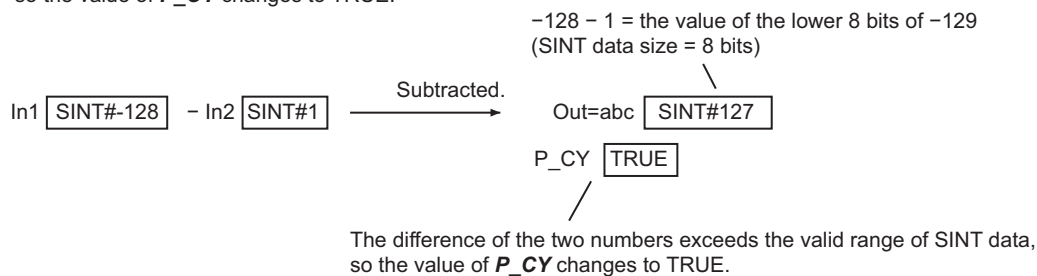
## Notation Examples

The following shows an example where *In1* and *In2* are SINT#-128 and INT#1, respectively, and variable *abc* is SINT data.

*In1* and *In2* are both SINT data, so the subtraction result is SINT data. The difference between the two values (-129) exceeds the valid range of SINT data, so the value of *P\_CY* changes to TRUE. The value of SINT variable *abc* will be SINT#127 (the value of the lower eight bits of -129).



The SubOU instruction subtracts *In2* from *In1*.  
The difference between the two values (-129) exceeds the valid range of SINT data,  
so the value of **P\_CY** changes to TRUE.



## Differences in Specifications between Ladder Diagrams and ST

There are no differences in the specifications of this instruction regardless of whether it is used in a ladder diagram or ST. In ladder diagrams, there are no differences in the specifications of the SubOU instruction and the -OU instruction.

## Related System-defined Variables

Name	Meaning	Data type	Description
P_CY	Carry (CY) Flag	BOOL	TRUE: Overflow occurred for integer calculations. FALSE: Overflow did not occur for integer calculations.

## Additional Information

- When you calculate real numbers, use the instruction, *CheckReal* on page 2-252, to check if *Out* is positive infinity, negative infinity, or non-numeric data.
- Use the instruction, *SUB (-)* on page 2-187, if there is no need for an overflow check. It will reduce processing time.

## Precautions for Correct Use

- Out* can have a different data type than the subtraction result. However, it should be able to accommodate the valid value range of the data type of the subtraction result. Otherwise, a building error will occur.

For casting between data types, refer to *Data Type Ranking Table* and *Casting Rules* in the *NJ/NX-series CPU Unit Software User's Manual (Cat. No. W501)*.

- If an underflow or overflow occurs in subtraction, the calculation result may not be as expected. Allow sufficient leeway in the sizes of the data types for input and output parameters so that overflows and underflows will not occur.
- The calculation result after an underflow or overflow may vary depending on the environment in which the program is executed, such as the simulator and CPU Unit model.
- Subtraction of real number values with positive or negative infinity is handled as follows.

Subtraction	Subtraction result
$+\infty$ minus number	$+\infty$
Number minus $+\infty$	$-\infty$
$-\infty$ minus number	$-\infty$
Number minus $-\infty$	$+\infty$
$+\infty$ minus $+\infty$	Nonnumeric data
$+\infty$ minus $-\infty$	$+\infty$
$-\infty$ minus $+\infty$	$-\infty$
$-\infty$ minus $-\infty$	Nonnumeric data

- If the value of either *In1* or *In2* is nonnumeric data, the value of the subtraction result is nonnumeric data.

# MUL (\*)

The MUL(\*) instruction multiplies integers and real numbers.

Instruction	Name	FB/ FUN	Graphic expression	ST expression
MUL (*)	Multiplication	FUN		Out:=In1 * In2;

## Variables

	Meaning	I/O	Description	Valid range	Unit	Default
In1 to InN	Values to multiply	Input	Numbers to multiply Ladder diagram: N = 2 to 5 ST: N = 2*1	Depends on data type.	---	1*2
Out	Output value	Output	Output Value	Depends on data type.	---	---

- \*1. You can use more than one MUL instruction as operators in one expression, such as result := val1 \* val2 \* val3;. You can use up to 64 instructions in one expression.
- \*2. If you omit the input parameter that connects to *InN*, the default value is not applied, and a building error will occur. For example, where N is 3, if the input parameters that connect to *In1* and *In2* are omitted, the default values are applied. But if the input parameter that connects to *In3* is omitted, a building error will occur.

	Boo lean	Bit strings				Integers							Real num- bers		Times, durations, dates, and text strings					
	BOOL	BYTE	WORD	DWORD	LWORD	USINT	UINT	UDINT	ULINT	SINT	INT	DINT	LINT	REAL	LREAL	TIME	DATE	TOD	DT	STRING
In1 to InN						OK	OK	OK	OK	OK	OK	OK	OK	OK	OK					
Out						OK	OK	OK	OK	OK	OK	OK	OK	OK	OK					

## Function

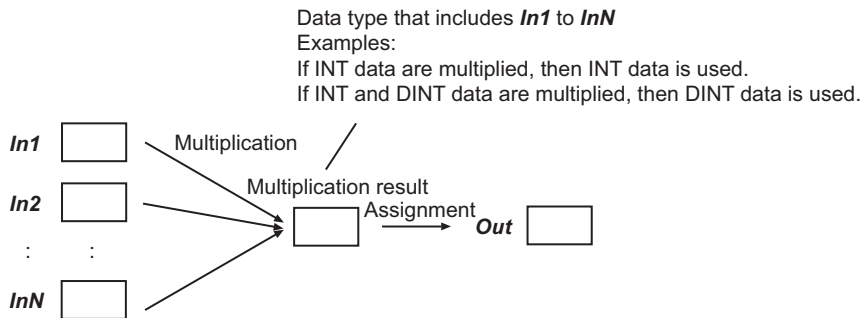
In a ladder diagram, the MUL (\*) instruction multiplies two or more and five or less integers or real numbers, and outputs the result to output value *Out*.

In ST, the MUL instruction multiplies two integers or real numbers, and outputs the result to output value *Out*.

The variables, *In1* to *InN* (Values to multiply), can have different data types. In the combination of the different data types, however, one of the data types should be able to accommodate values held by

the other data types. Calculations are performed based on the data type that accommodates every possible value held by the other existing data types. For example, if *In1* and *In2* are INT data and DINT data, respectively, calculations are performed with DINT data. Here, the multiplication result is DINT data.

For casting between data types, refer to *Data Type Ranking Table* and *Casting Rules* in the *NJ/NX-series CPU Unit Software User's Manual (Cat. No. W501)*.



## Processing for Overflows

An overflow occurs if the product of the variables from *In1* to *InN* exceeds the valid range of the data type of the multiplication result. If an overflow occurs, the data types of *In1* to *InN*, the data type of the multiplication result, and the value of the multiplication result will be as shown in the following table.

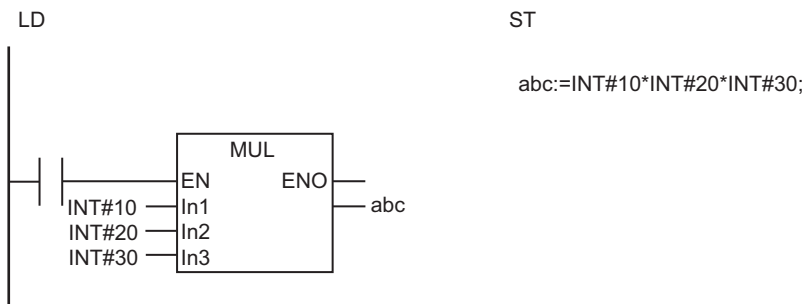
Data types of <i>In1</i> to <i>InN</i>	Data type of multiplication result	Value of multiplication result
All integer data	Integer data	Of the product of the variables from <i>In1</i> to <i>InN</i> , the multiplication result will be the value that can be expressed by the number of bits in the data type of the multiplication result.*1
At least one real number	Real number data	$\pm\infty$ *2

\*1. For example, if the values of *In1* and *In2* are INT#16384 and INT#2, respectively, the multiplication result will be INT data. The value of the multiplication result will be the lower 16 bits of the product (32,768), i.e., INT#-32768.

\*2. If the product of the variables from *In1* to *InN* is positive, the multiplication result will be positive infinity. If the product is negative, the multiplication result will be negative infinity.

## Notation Examples

The following shows an example where *In1*, *In2*, and *In3* are INT#10, INT#20, and INT#30, respectively. The value of INT variable *abc* will be INT#6000.



The MUL instruction multiplies *In1* to *InN*.  
The calculation is  $10 \times 20 \times 30 = 6,000$ , so the value of *abc* will be INT#6000.



## Differences in Specifications between Ladder Diagrams and ST

Specifications of this instruction depend on whether it is used in a ladder diagram or ST. The following table gives the differences in specifications. In ladder diagrams, the specifications of the MUL instruction and the \* instruction are exactly the same.

Item	Ladder diagram	ST
Maximum number of values to multiply	5	$2^{*1}$
Omitting input parameters for values to multiply	You can omit parameters except for the input parameters connected to InN.	You cannot omit any input parameters.
Existence of EN and ENO	Present	None
Number of data processing bits if the values to multiply are all integer data	8, 16, 32, or $64^{*2}$	32 or $64^{*3}$

- \*1. You can use more than one MUL instruction as operators in one expression, such as `result := val1 * val2 * val3;`. You can use up to 64 instructions in one expression.
- \*2. The number of processing bits is aligned with the largest data type of all the values to multiply. For example, if you multiply SINT, INT, and DINT data, the data processing bits will be aligned to the size of DINT data, i.e., 32-bit processing is performed.
- \*3. If there is no LINT or ULINT data in the values to multiply, 32-bit processing is used. For example, if two SINT values are multiplied, 32-bit processing is used. If there is LINT or ULINT data in the values to multiply, 64-bit processing is used.

## Additional Information

When you calculate real numbers, use the instruction, *CheckReal* on page 2-252, to check if *Out* is positive infinity, negative infinity, or non-numeric data.

## Precautions for Correct Use

- *Out* can have a different data type than the multiplication result. However, it should be able to accommodate the valid value range of the data type of the multiplication result. Otherwise, a building error will occur.

For casting between data types, refer to *Data Type Ranking Table* and *Casting Rules* in the *NJ/NX-series CPU Unit Software User's Manual (Cat. No. W501)*.

- An error will not occur even if an underflow or overflow occurs in the multiplication.
- If an underflow or overflow occurs in multiplication, the calculation result may not be as expected. Allow sufficient leeway in the sizes of the data types for input and output parameters so that overflows and underflows will not occur.
- The calculation result after an underflow or overflow may vary depending on the environment in which the program is executed, such as the simulator and CPU Unit model. By using AddOU, SubOU, and MulOU instructions, you can detect unexpected underflow or overflow.
- Multiplication of real number values with positive or negative infinity is handled as follows.

Multiplication	Multiplication result
+ ∞ times positive number	+ ∞
+ ∞ times negative number	-∞
- ∞ times positive number	-∞
- ∞ times negative number	+ ∞
+ ∞ times + ∞	+ ∞
- ∞ times - ∞	+ ∞
+ ∞ times - ∞	-∞
+ ∞ times 0	Nonnumeric data
-∞ times 0	Nonnumeric data

- If any of the variables from *In1* to *InN* is nonnumeric data, the value of the multiplication result is nonnumeric data.

# MulOU (\*OU)

The MulOU (\*OU) instruction multiplies integers and real numbers, and outputs the result. It also performs an overflow check for the integer multiplication result.

Instruction	Name	FB/ FUN	Graphic expression	ST expression
MulOU (*OU)	Multiplication with Overflow Check	FUN		Out:=MulOU(In1, ..., InN);

## Variables

	Meaning	I/O	Description	Valid range	Unit	Default
In1 to InN	Values to multiply	Input	Numbers to multiply N = 2 to 5	Depends on data type.	---	1*1
Out	Output value	Output	Output Value	Depends on data type.	---	---

- \*1. If you omit the input parameter that connects to *InN*, the default value is not applied, and a building error will occur. For example, where N is 3, if the input parameters that connect to *In1* and *In2* are omitted, the default values are applied. But if the input parameter that connects to *In3* is omitted, a building error will occur.

	Boo lean	Bit strings					Integers							Real num- bers		Times, durations, dates, and text strings				
	BOOL	BYTE	WORD	DWORD	LWORD	USINT	UINT	UDINT	ULINT	SINT	INT	DINT	LINT	REAL	LREAL	TIME	DATE	TOD	DT	STRING
In1 to InN						OK	OK	OK	OK	OK	OK	OK	OK	OK *1	OK *1					
Out						OK	OK	OK	OK	OK	OK	OK	OK	OK	OK					

- \*1. If any of the values from *In1* to *InN* is REAL data, an overflow check is not performed.

## Function

The MulOU (\*OU) instruction multiplies two or more and five or less integers or real numbers, and outputs the result to output value *Out*.

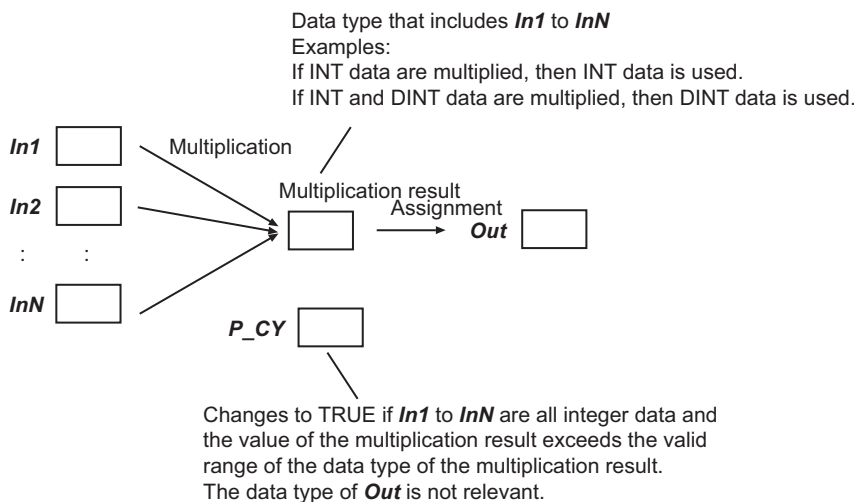
Values to multiply, *In1* to *InN*, can have different data types. In the combination of the different data types, however, one of the data types should be able to accommodate values held by the other data types. Calculations are performed based on the data type that accommodates every possible value held by the other existing data types. For example, if *In1* and *In2* are INT data and DINT data, respectively, calculations are performed with DINT data. Here, the multiplication result is DINT data.



For casting between data types, refer to *Data Type Ranking Table* and *Casting Rules* in the *NJ/NX-series CPU Unit Software User's Manual (Cat. No. W501)*.

## Processing for Overflows

An overflow occurs if the product of the variables from *In1* to *InN* exceeds the valid range of the data type of the multiplication result. If all of the variables from *In1* to *InN* are integer data, the value of the *P\_CY* system-defined variable (Carry Flag) changes to TRUE when an overflow occurs. If any of the variables from *In1* to *InN* is REAL data, an overflow check is not performed. Therefore the value of *P\_CY* will not change.



If an overflow occurs, the data types of *In1* to *InN*, the data type of the multiplication result, the value of the multiplication result, and the value of *P\_CY* will be as shown in the following table.

Data types of <i>In1</i> to <i>InN</i>	Data type of multiplication result	Value of multiplication result	Value of <i>P_CY</i>
All integer data	Integer data	Of the product of the variables from <i>In1</i> to <i>InN</i> , the multiplication result will be the value that can be expressed by the number of bits in the data type of the multiplication result.*1	TRUE
At least one real number	Real number data	$\pm\infty$ *2	Does not change.

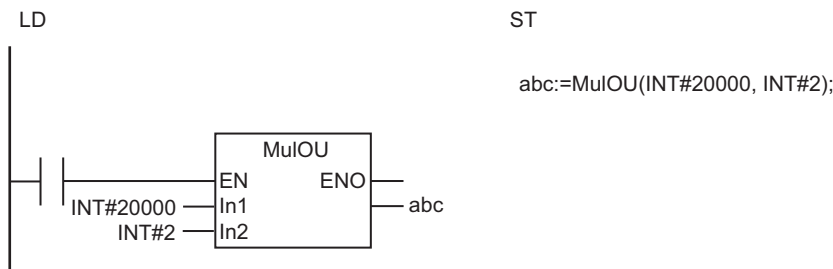
\*1. For example, if the values of *In1* and *In2* are INT#16384 and INT#2, respectively, the multiplication result will be INT data. The value of the multiplication result will be the lower 16 bits of the product (32,768), i.e., INT#-32768.

\*2. If the product of the variables from *In1* to *InN* is positive, the multiplication result will be positive infinity. If the product is negative, the multiplication result will be negative infinity.

## Notation Examples

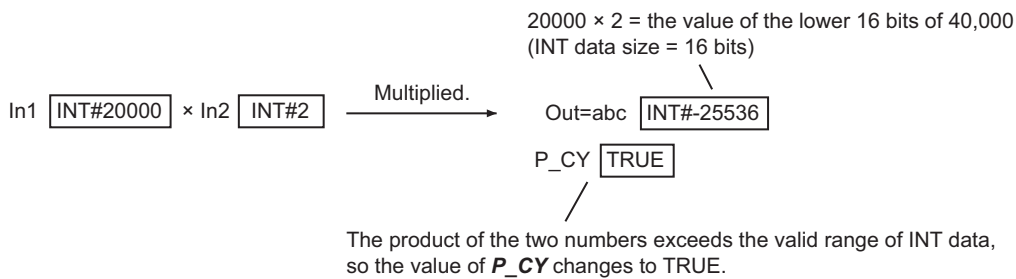
The following shows an example where *In1* and *In2* are INT#20000 and INT#2, respectively, and variable *abc* is INT data.

*In1* and *In2* are both INT data, so the multiplication result is INT data. The product of the two values (40,000) exceeds the valid range of INT data, so the value of *P\_CY* changes to TRUE. The value of INT variable *abc* will be INT#-25536 (the lower 16 bits of 40000).



The MulIOU instruction multiplies *In1* to *InN*.

The product of the two values (40,000) exceeds the valid range of INT data, so the value of *P\_CY* changes to TRUE.



## Differences in Specifications between Ladder Diagrams and ST

There are no differences in the specifications of this instruction regardless of whether it is used in a ladder diagram or ST. In ladder diagrams, there are no differences in the specifications of the MulOU instruction and the \*OU instruction.

## Related System-defined Variables

Name	Meaning	Data type	Description
P_CY	Carry (CY) Flag	BOOL	TRUE: Overflow occurred for integer calculations. FALSE: Overflow did not occur for integer calculations.

## Additional Information

- When you calculate real numbers, use the instruction, *CheckReal* on page 2-252, to check if *Out* is positive infinity, negative infinity, or non-numeric data.
- Use the instruction, *MUL* (\*) on page 2-194, if there is no need for an overflow check. It will reduce processing time.

## Precautions for Correct Use

- *Out* can have a different data type than the multiplication result. However, it should be able to accommodate the valid value range of the data type of the multiplication result. Otherwise, a building error will occur.

For casting between data types, refer to *Data Type Ranking Table* and *Casting Rules* in the *NJ/NX-series CPU Unit Software User's Manual (Cat. No. W501)*.

- If an underflow or overflow occurs in multiplication, the calculation result may not be as expected. Allow sufficient leeway in the sizes of the data types for input and output parameters so that overflows and underflows will not occur.
- The calculation result after an underflow or overflow may vary depending on the environment in which the program is executed, such as the simulator and CPU Unit model.
- Multiplication of real number values with positive or negative infinity is handled as follows.

Multiplication	Multiplication result
+ ∞ times positive number	+ ∞
+ ∞ times negative number	-∞
- ∞ times positive number	-∞
- ∞ times negative number	+ ∞
+ ∞ times + ∞	+ ∞
- ∞ times - ∞	+ ∞
+ ∞ times - ∞	-∞
+ ∞ times 0	Nonnumeric data
-∞ times 0	Nonnumeric data

- If any of the variables from *In1* to *InN* is nonnumeric data, the value of the multiplication result is nonnumeric data.

# DIV (/)

The DIV (/) instruction divides integers or real numbers.

Instruction	Name	FB/ FUN	Graphic expression	ST expression
DIV (/)	Division	FUN		Out:=In1/ In2;

## Variables

	Meaning	I/O	Description	Valid range	Unit	Default
In1	Dividend	Input	Dividend	Depends on data type.	---	*1
In2	Divisor		Divisor			
Out	Output value	Output	Output Value	Depends on data type.	---	---

\*1. If you omit the input parameter, the default value is not applied. A building error will occur.

	Boo lean	Bit strings					Integers							Real num bers		Times, durations, dates, and text strings				
	BOOL	BYTE	WORD	DWORD	LWORD	USINT	UINT	UDINT	ULINT	SINT	INT	DINT	LINT	REAL	LREAL	TIME	DATE	TOD	DT	STRING
In1						OK	OK	OK	OK	OK	OK	OK	OK	OK	OK					
In2						OK	OK	OK	OK	OK	OK	OK	OK	OK	OK					
Out						OK	OK	OK	OK	OK	OK	OK	OK	OK	OK					

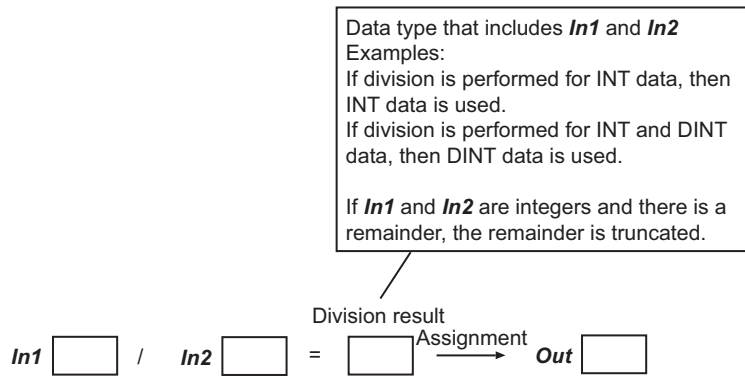
## Function

The DIV (/) instruction divides dividend *In1* by divisor *In2*, and outputs the result to output value *Out*.

*In1* and *In2* can have different data types. In the combination of the different data types, however, one of the data types should be able to accommodate values held by the other data type. Calculations are performed based on the data type that accommodates every possible value held by the other existing data type. For example, if *In1* and *In2* are INT data and DINT data, respectively, calculations are performed with DINT data. Here, the division result is DINT data.

If *In1* and *In2* are both integers, the remainder is truncated, if any.

For casting between data types, refer to *Data Type Ranking Table* and *Casting Rules* in the *NJ/NX-series CPU Unit Software User's Manual (Cat. No. W501)*.



## Processing for Overflows

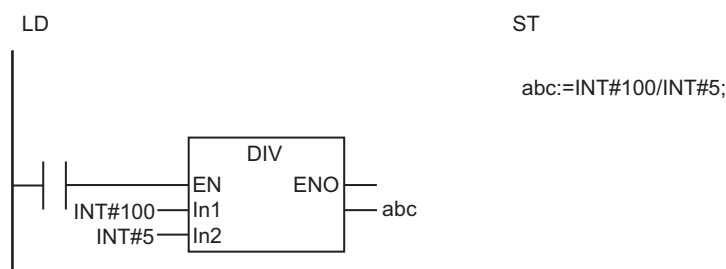
An overflow occurs if the quotient of *In1* and *In2* exceeds the valid range of the data type of the division result. If an overflow occurs, the data types of *In1* and *In2*, the data type of the division result, and the value of the division result will be as shown in the following table.

Data types of <i>In1</i> and <i>In2</i>	Data type of division result	Value of division result
At least one real number	Real number data	$\pm\infty^{*1}$

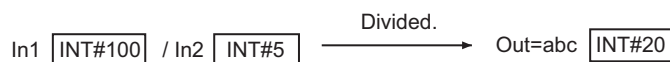
\*1. If the quotient of *In1* and *In2* is positive, the division result will be positive infinity. If the quotient is negative, the division result will be negative infinity.

## Notation Examples

The following shows an example where *In1* and *In2* are INT#100 and INT#5, respectively. The value of INT variable *abc* will be INT#20.



The DIV instruction divides *In1* by *In2*.  
 The calculation is  $100/5 = 20$ , so the value of *abc* will be INT#20.



## Differences in Specifications between Ladder Diagrams and ST

Specifications of this instruction depend on whether it is used in a ladder diagram or ST. The following table gives the differences in specifications. In ladder diagrams, the specifications of the DIV instruction and the / instruction are exactly the same.

Item	Ladder diagram	ST
Existence of <i>EN</i> and <i>ENO</i>	Present	None
Number of data processing bits if the dividend and divisor are integer data	8, 16, 32, or 64*1	32 or 64*2

- \*1. The number of processing bits is aligned with the larger data type of the dividend and divisor. For example, if you perform division for SINT and DINT data, the data processing bits will be aligned to the size of DINT data, i.e., 32-bit processing is performed.
- \*2. If there is no LINT or ULINT data in the dividend and divisor, 32-bit processing is used. For example, if you perform division for two SINT values, 32-bit processing is used. If there is LINT or ULINT data in the dividend and divisor, 64-bit processing is used.

## Additional Information

When you calculate real numbers, use the instruction, *CheckReal* on page 2-252, to check if *Out* is positive infinity, negative infinity, or non-numeric data.

## Precautions for Correct Use

- *Out* can have a different data type than the division result. However, it should be able to accommodate the valid value range of the data type of the division result. Otherwise, a building error will occur.  
For casting between data types, refer to *Data Type Ranking Table* and *Casting Rules* in the *NJ/NX-series CPU Unit Software User's Manual (Cat. No. W501)*.
- An error will not occur even if an underflow or overflow occurs in the division.
- If an underflow or overflow occurs in division, the calculation result may not be as expected. Allow sufficient leeway in the sizes of the data types for input and output parameters so that overflows and underflows will not occur.
- Division of real number values with positive infinity, negative infinity, or 0 is handled as follows.

		In1				
		+ ∞	Positive number	0	Negative number	-∞
In2	+ ∞	Nonnumeric data	0	0	0	Nonnumeric data
	Positive number	+ ∞	Positive number	0	Negative number	-∞
	0	+ ∞	+ ∞	Nonnumeric data	-∞	-∞
	Negative number	-∞	Negative number	0	Positive number	+ ∞
	-∞	Nonnumeric data	0	0	0	Nonnumeric data

- If the value of either *In1* or *In2* is nonnumeric data, the value of the division result is nonnumeric data.
- An error will occur in the following case. *ENO* will be FALSE, and *Out* will not change.
  - a) *In1* and *In2* are integers, and the value of *In2* is 0.

# MOD

The MOD instruction finds the remainder for division of integers.

Instruction	Name	FB/ FUN	Graphic expression	ST expression
MOD	Modulo-division	FUN		Out:=In1 MOD In2;

## Variables

	Meaning	I/O	Description	Valid range	Unit	Default
In1	Dividend	Input	Dividend	Depends on data type.	---	*1
In2	Divisor		Divisor			
Out	Remainder	Output	Remainder	Depends on data type.	---	---

\*1. If you omit the input parameter, the default value is not applied. A building error will occur.

	Boo lean	Bit strings					Integers							Real num bers		Times, durations, dates, and text strings				
	BOOL	BYTE	WORD	DWORD	LWORD	USINT	UINT	UDINT	ULINT	SINT	INT	DINT	LINT	REAL	LREAL	TIME	DATE	TOD	DT	STRING
In1						OK	OK	OK	OK	OK	OK	OK	OK							
In2						OK	OK	OK	OK	OK	OK	OK	OK							
Out						OK	OK	OK	OK	OK	OK	OK	OK							

## Function

The MOD instruction divides dividend *In1* by divisor *In2* to return the remainder.

*In1*, *In2*, and *Out* can have different data types. In the combination of the different data types, however, one of the data types should be able to accommodate values held by the other data types.

For casting between data types, refer to *Data Type Ranking Table* and *Casting Rules* in the *NJ/NX-series CPU Unit Software User's Manual (Cat. No. W501)*.

This instruction performs the calculation with the following formula.

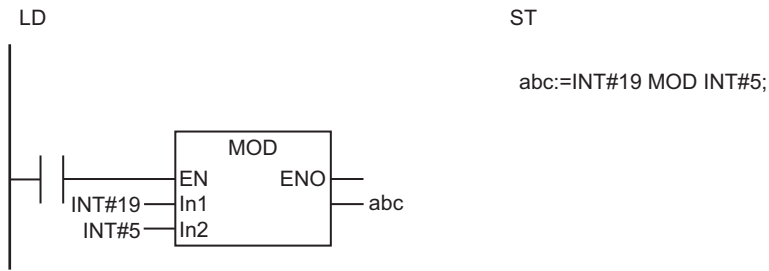
$$Out = In1 - (In1/In2)*In2$$

Decimal places are truncated in the division operation.

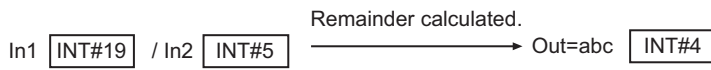
Examples with the values of *In1*, *In2* and *Out* are given in the following table.

Value of <i>In1</i>	Value of <i>In2</i>	Value of <i>Out</i>
5	3	2
5	-3	2
-5	3	-2
-5	-3	-2

The following shows an example where *In1* and *In2* are INT#19 and INT#5, respectively. The value of variable *abc* will be INT#4.



The MOD instruction divides *In1* by *In2* to find the remainder.  
The remainder of 19/5 is 4, so the value of *abc* will be INT#4.



## Precautions for Correct Use

Set the data type of *Out* to accommodate the valid value ranges of *In1* and *In2*.

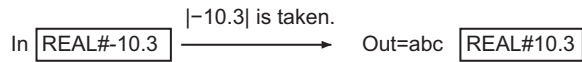
For casting between data types, refer to *Data Type Ranking Table* and *Casting Rules* in the *NJ/NX-series CPU Unit Software User's Manual (Cat. No. W501)*.





The ABS instruction outputs the absolute value of *In*.

The absolute value of REAL# -10.3 is found, so the value of **abc** will be REAL#10.3.



### Additional Information

When you calculate real numbers, use the instruction, *CheckReal* on page 2-252, to check if *Out* is positive infinity, negative infinity, or non-numeric data.

### Precautions for Correct Use



- Set the data type of *Out* to accommodate the absolute value of *In*.
- If the value of *In* is positive infinity, negative infinity, or nonnumeric data, the value of *Out* is as shown below.

Value of <i>In</i>	Value of <i>Out</i>
+ ∞	+ ∞
-∞	+ ∞
Nonnumeric data	Nonnumeric data

# RadToDeg and DegToRad

RadToDeg : Converts a real number from radians (rad) to degrees (°).

DegToRad : Converts a real number from degrees (°) to radians (rad).

Instruction	Name	FB/ FUN	Graphic expression	ST expression
RadToDeg	Radians to Degrees	FUN		Out:=RadToDeg(In);
DegToRad	Degrees to Radians	FUN		Out:=DegToRad(In);

## Variables

	Meaning	I/O	Description	Valid range	Unit	Default
In	Data to convert	Input	Data to convert	Depends on data type.	RadToDeg: Radians DegToRad: Degrees	*1
Out	Conversion result	Output	Conversion result	Depends on data type.	RadToDeg: Degrees DegToRad: Radians	---

\*1. If you omit the input parameter, the default value is not applied. A building error will occur.

	Boo lean	Bit strings					Integers							Real numbers		Times, durations, dates, and text strings				
	BOOL	BYTE	WORD	DWORD	LWORD	USINT	UINT	UDINT	ULINT	SINT	INT	DINT	LINT	REAL	LREAL	TIME	DATE	TOD	DT	STRING
In														OK	OK					
Out														OK	OK					

## Function

### RadToDeg

The RadToDeg instruction converts the data to convert *In* from radians (rad) to degrees (°).

The following conversion is used.

$$Out = In * 180 / \pi$$

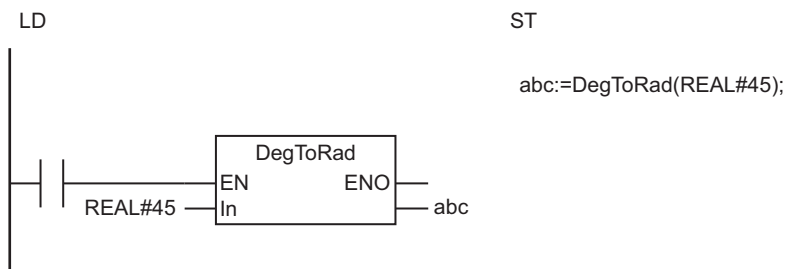
## DegToRad

The DegToRad instruction converts the data to convert *In* from degrees (°) to radians (rad).

The following conversion is used.

$$Out = In * \pi / 180$$

The following shows an example where *In* is REAL#45 for the DegToRad instruction. The value of the REAL variable *abc* will be REAL#0.785398.



The DegToRad instruction converts the value of *In* from degrees (°) to radians (rad). An angle of 45° is 0.785398 rad, so the value of *abc* will be REAL#0.785398.



## Additional Information

When you calculate real numbers, use the instruction, *CheckReal* on page 2-252, to check if *Out* is positive infinity, negative infinity, or non-numeric data.

## Precautions for Correct Use

- If the absolute value of the conversion result exceeds the maximum value of the data type of *Out*, the value of *Out* will be positive or negative infinity.
- If the absolute value of the conversion result is lower than the minimum value of the data type of *Out*, the value of *Out* will be 0.
- Make sure that the data type of *Out* is equal to or larger than the data type of *In*.
- If the value of *In* is positive infinity, negative infinity, or nonnumeric data, the value of *Out* is as shown below.

Value of <i>In</i>	Value of <i>Out</i>
+ ∞	+ ∞
-∞	-∞
Nonnumeric data	Nonnumeric data

- If you pass an integer parameter to *In*, the data type is converted as follows:

Data type of parameter that is passed to <i>In</i>	Data type of <i>In</i>
USINT, UINT, SINT, or INT	REAL
UDINT or DINT	LREAL
ULINT or LINT	A building error will occur.

# SIN, COS, and TAN

These instructions perform trigonometric calculations on real numbers.

SIN : Calculates the sine of a number.

COS : Calculates the cosine of a number.

TAN : Calculates the tangent of a number.

Instruction	Name	FB/ FUN	Graphic expression	ST expression
SIN	Sine in Radians	FUN		Out:=SIN(In);
COS	Cosine in Radians	FUN		Out:=COS(In);
TAN	Tangent in Radians	FUN		Out:=TAN(In);

2

## Variables

	Meaning	I/O	Description	Valid range	Unit	Default
In	Number to process	Input	Number to process	Depends on data type.	rad	*1
Out	Calculation result	Output	Calculation result	SIN: *2 COS: *2 TAN: Depends on data type.	---	---

\*1. If you omit the input parameter, the default value is not applied. A building error will occur.

\*2. The valid value range for REAL data is from -1.000000e+0 to 1.000000e+0. The valid value range for LREAL data is from -1.0000000000000000e+0 to 1.0000000000000000e+0.

	Boolean	Bit strings					Integers							Real numbers		Times, durations, dates, and text strings				
	BOOL	BYTE	WORD	DWORD	LWORD	USINT	UINT	UDINT	ULINT	SINT	INT	DINT	LINT	REAL	LREAL	TIME	DATE	TOD	DT	STRING
In														OK	OK					
Out														OK	OK					

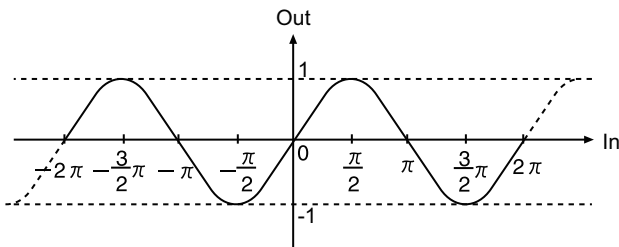
## Function

These instructions perform trigonometric calculations on real numbers.

Number to process *In* is an angle in radians (rad).

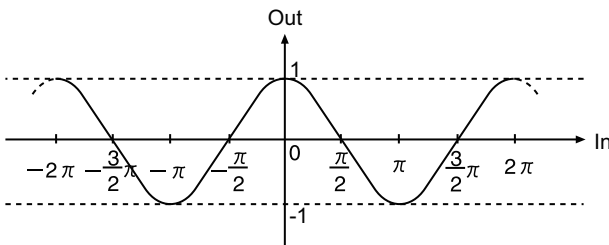
## SIN

The SIN instruction finds the sine of  $In$ .



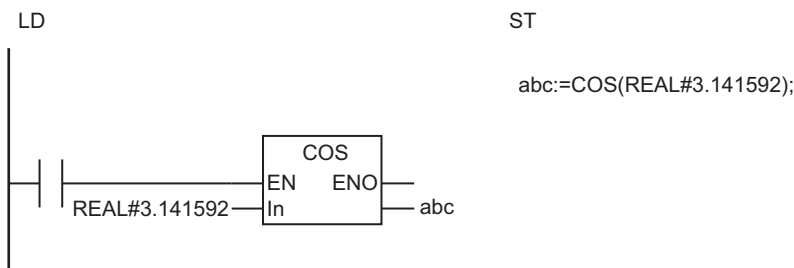
## COS

The COS instruction finds the cosine of  $In$ .

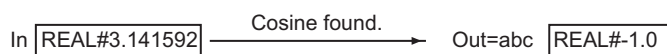


### ● Example for COS Instruction

The following shows an example where  $In$  is REAL#3.141592 for the COS instruction. The value of variable  $abc$  will be REAL#-1.0.

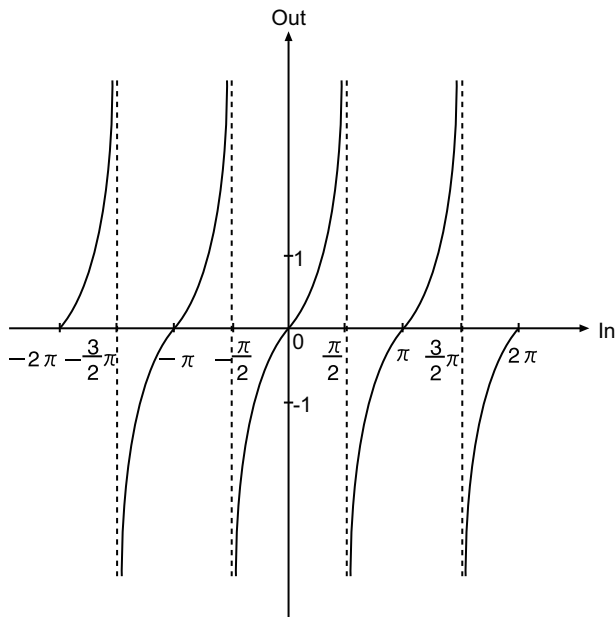


The COS instruction finds the cosine of  $In$ .  
The cosine of 3.141592 is  $-1.0$ , so the value of  $abc$  will be REAL#  $-1.0$ .



## TAN

The TAN instruction finds the tangent of  $In$ .



### Additional Information

- Use the instructions, *RadToDeg* and *DegToRad* on page 2-209, to convert data between degrees and radians.
- If *In* for the TAN instruction is  $n\pi/2$  ( $n$  is an integer), the value of *Out* is positive infinity or negative infinity.  
Use the instruction, *CheckReal* on page 2-252, to check if the value of *Out* is positive infinity, negative infinity, or non-numeric data.

### Precautions for Correct Use

- If the value of *In* is positive infinity, negative infinity, or nonnumeric data, the value of *Out* is nonnumeric data.
- If you pass an integer parameter to *In*, the data type is converted as follows:

Data type of parameter that is passed to <i>In</i>	Data type of <i>In</i>
USINT, UINT, SINT, or INT	REAL
UDINT or DINT	LREAL
ULINT or LINT	A building error will occur.

# ASIN, ACOS, and ATAN

These instructions perform inverse trigonometric calculations on real numbers.

ASIN : Calculates the arc sine of a number ( $\sin^{-1}$ )

ACOS : Calculates the arc cosine of a number ( $\cos^{-1}$ )

ATAN : Calculates the arc tangent of a number ( $\tan^{-1}$ )

Instruction	Name	FB/ FUN	Graphic expression	ST expression
ASIN	Principal Arc Sine ( $\text{SIN}^{-1}$ )	FUN		Out:=ASIN(In);
ACOS	Principal Arc Cosine ( $\text{COS}^{-1}$ )	FUN		Out:=ACOS(In);
ATAN	Principal Arc Tangent ( $\text{TAN}^{-1}$ )	FUN		Out:=ATAN(In);

## Variables

	Meaning	I/O	Description	Valid range	Unit	Default
In	Number to process	Input	Number to process	Depends on data type.	---	*1
Out	Calculation result	Output	Calculation result	ASIN: $-\pi/2$ to $\pi/2$ ACOS: 0 to $\pi$ ATAN: $-\pi/2$ to $\pi/2$	rad	---

\*1. If you omit the input parameter, the default value is not applied. A building error will occur.

	Boo lean	Bit strings				Integers							Real num- bers		Times, durations, dates, and text strings					
	BOOL	BYTE	WORD	DWORD	LWORD	USINT	UINT	UDINT	ULINT	SINT	INT	DINT	LINT	REAL	LREAL	TIME	DATE	TOD	DT	STRING
In														OK	OK					
Out														OK	OK					

## Function

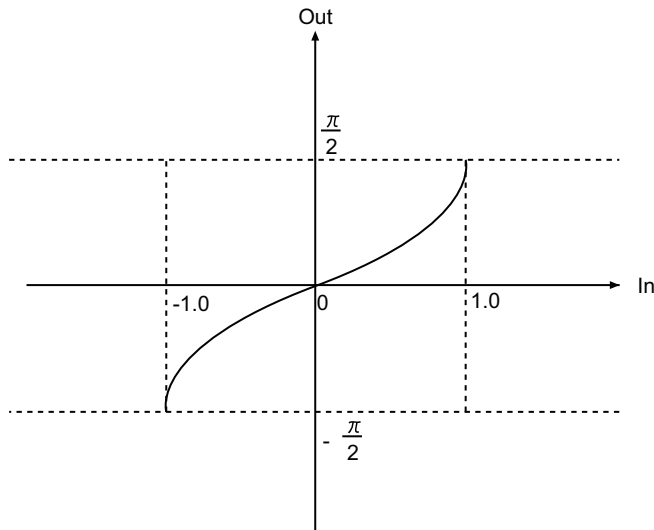
These instructions perform inverse trigonometric calculations on real numbers.

The calculation result *Out* is an angle in radians (rad).



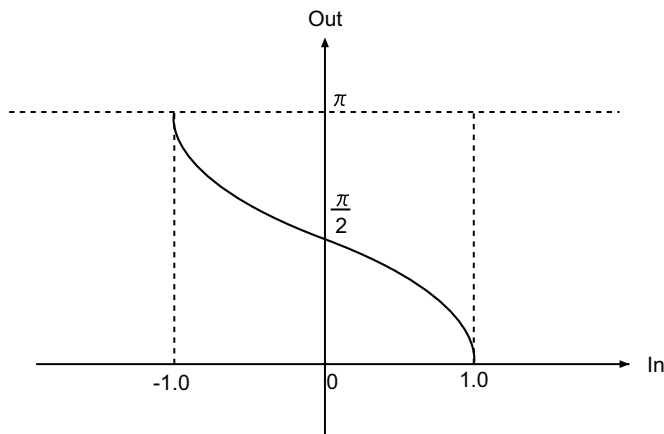
## ASIN

The ASIN instruction finds the arc sine ( $\sin^{-1}$ ) of *In*. *Out* is between  $-\pi/2$  and  $\pi/2$ .



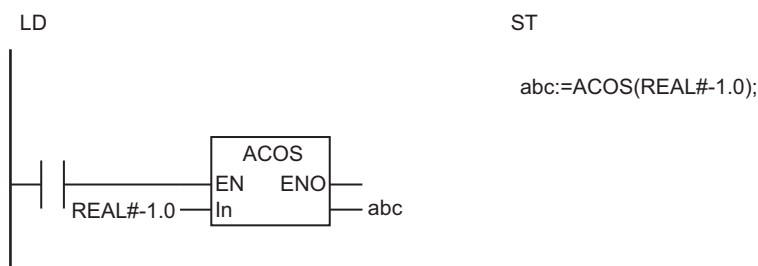
## ACOS

The ACOS instruction finds the arc cosine ( $\cos^{-1}$ ) of *In*. *Out* is between 0 and  $\pi$ .



### ● Example for ACOS Instruction

The following shows an example where *In* is REAL#-1.0 for the ACOS instruction. The value of variable *abc* will be REAL#3.141592.

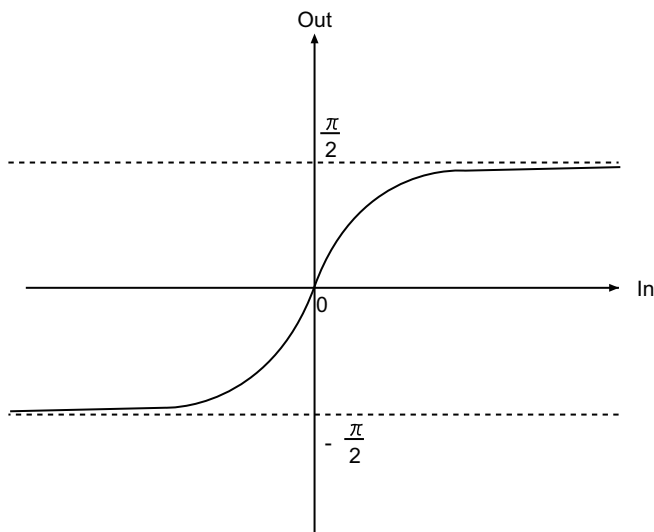


The ACOS instruction finds the arccosine of *In*.  
 The arccosine of -1.0 is 3.141592, so the value of *abc* will be REAL#3.141592.

In REAL#-1.0  $\xrightarrow{\text{Arccosine found.}}$  Out=abc REAL#3.141592

### ATAN

The ATAN instruction finds the arc tangent ( $\tan^{-1}$ ) of *In*. *Out* is between  $-\pi/2$  and  $\pi/2$ .  
 If the value of *In* is positive infinity, the value of *Out* is  $\pi/2$ . If the value of *In* is negative infinity, the value of *Out* is  $-\pi/2$ .



### Additional Information

Use the instructions, *RadToDeg* and *DegToRad* on page 2-209, to convert data between degrees and radians.

### Precautions for Correct Use

- If *In* is not between -1.0 and 1.0 for the ASIN or ACOS instruction, the value of *Out* is nonnumeric data. That also applies when the value of *In* is positive infinity, negative infinity, or nonnumeric data.
- If the value of *In* is nonnumeric data for the ATAN instruction, the value of *Out* is nonnumeric data.
- If you pass an integer parameter to *In*, the data type is converted as follows:

Data type of parameter that is passed to <i>In</i>	Data type of <i>In</i>
USINT, UINT, SINT, or INT	REAL
UDINT or DINT	LREAL
ULINT or LINT	A building error will occur.

# SQRT

The SQRT instruction calculates the square root of a number.

Instruction	Name	FB/ FUN	Graphic expression	ST expression
SQRT	Square Root	FUN		Out:=SQRT(In);

## Variables

	Name	I/O	Description	Valid range	Unit	Default
In	Number to process	Input	Number to process	Depends on data type.*1	---	*2
Out	Square root	Output	Square root	*3	---	---

\*1. Negative numbers are excluded.

\*2. If you omit the input parameter, the default value is not applied. A building error will occur.

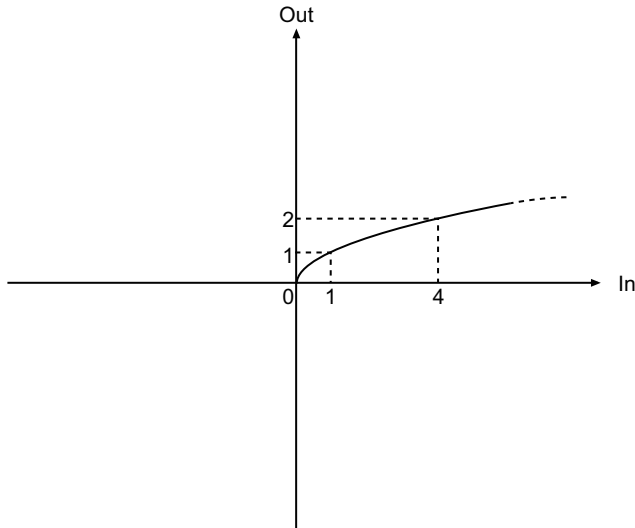
\*3. The valid value range for REAL data is from 0.000000e+00 to 1.844674e+19, or positive infinity. The valid value range for LREAL data is from 0.00000000000000e+000 to 1.34078079299425e+154, or positive infinity.

	Boo lean	Bit strings				Integers							Real num- bers		Times, durations, dates, and text strings					
	BOOL	BYTE	WORD	DWORD	LWORD	USINT	UINT	UDINT	ULINT	SINT	INT	DINT	LINT	REAL	LREAL	TIME	DATE	TOD	DT	STRING
In														OK	OK					
Out														OK	OK					

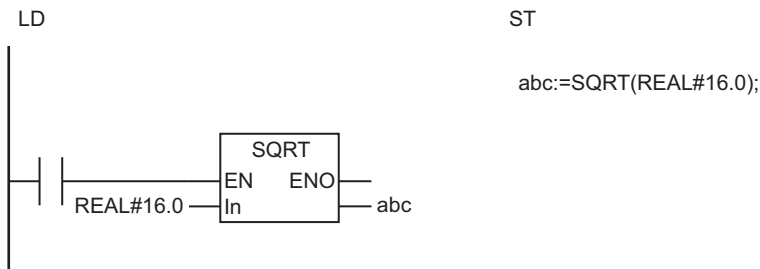
## Function

The SQRT instruction finds the square root of number to process *In*.

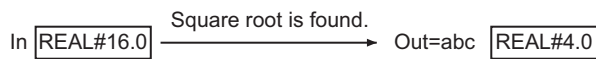
Number to process *In* and square root *Out* can have different data types.



The following shows an example where *In* is REAL#16.0. The value of variable *abc* will be REAL#4.0.



The SQRT instruction finds the square root of *In*. The square root of 16.0 is 4.0, so the value of *abc* will be REAL#4.0.



## Additional Information

Use the instruction, *CheckReal* on page 2-252, to check if the value of *Out* is positive infinity.

## Precautions for Correct Use

- If the value of *In* is not a positive number, the value of *Out* is as shown below.

Value of <i>In</i>	Value of <i>Out</i>
Negative number	Nonnumeric data
0	0
+ ∞	+ ∞
-∞	Nonnumeric data
Nonnumeric data	Nonnumeric data

- If you pass an integer parameter to *In*, the data type is converted as follows:

Data type of parameter that is passed to <i>In</i>	Data type of <i>In</i>
USINT, UINT, SINT, or INT	REAL

Data type of parameter that is passed to <i>In</i>	Data type of <i>In</i>
UDINT or DINT	LREAL
ULINT or LINT	A building error will occur.

# LN and LOG

These instructions calculate the logarithm of a real number.

LN : Calculates the natural logarithm of a number.

LOG : Calculates the base-10 logarithm of a number.

Instruction	Name	FB/ FUN	Graphic expression	ST expression
LN	Natural Logarithm	FUN		Out:=LN(In);
LOG	Logarithm Base 10	FUN		Out:=LOG(In);

## Variables

	Meaning	I/O	Description	Valid range	Unit	Default
In	Number to process	Input	Number to process	Depends on data type.*1	---	*2
Out	Logarithm	Output	Logarithm	*3	---	---

\*1. Negative numbers are excluded.

\*2. If you omit the input parameter, the default value is not applied. A building error will occur.

\*3. The valid value range depends on the data types of *In* and *Out*. Refer to *Valid Value Range* on page 2-222 for details.

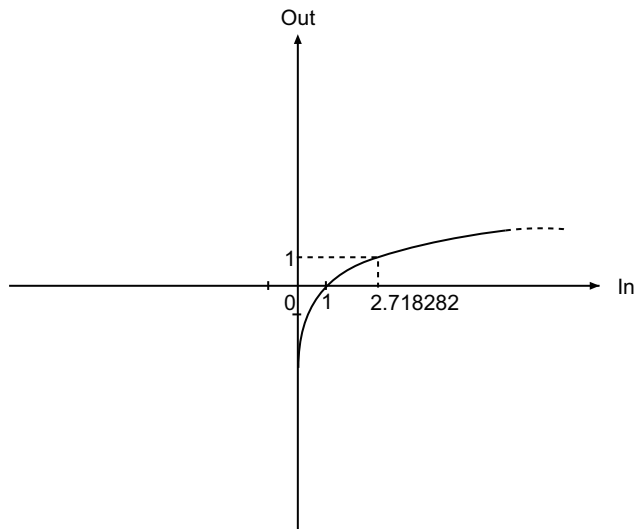
	Boo lean	Bit strings				Integers							Real num- bers		Times, durations, dates, and text strings					
	BOOL	BYTE	WORD	DWORD	LWORD	USINT	UINT	UDINT	ULINT	SINT	INT	DINT	LINT	REAL	LREAL	TIME	DATE	TOD	DT	STRING
In														OK	OK					
Out														OK	OK					

## Function

These instructions find the logarithm of a real number.

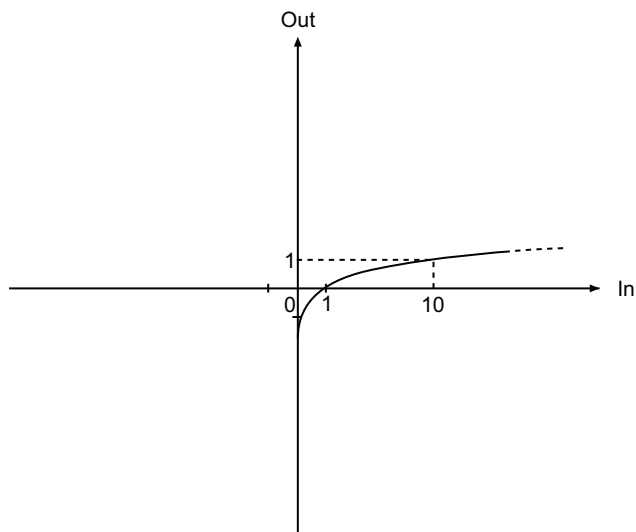
### LN

The LN instruction finds the natural logarithm (logarithm to base e, where e = 2.718282).



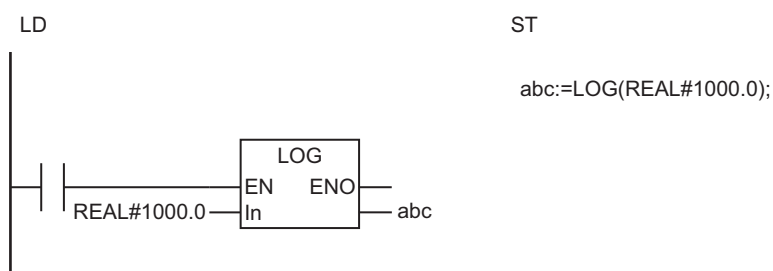
## LOG

The LOG instruction finds the base-10 logarithm.



### ● Example for the LOG Instruction

The following shows an example where *In* is REAL#1000.0 for the LOG instruction. The value of variable *abc* will be REAL#3.0.



The LOG instruction finds the base-10 logarithm of a real number.  
The base-10 logarithm of 1,000.0 is 3.0 so the value of **abc** will be REAL#3.0.

In REAL#1000.0  $\xrightarrow{\text{Common logarithm is taken.}}$  Out=abc REAL#3.0

## Valid Value Range

The following tables show the valid value ranges for LN and LOG.

### ● Valid Value Ranges for LN

Data type of <i>In</i>	Data type of <i>Out</i>	Valid Value Range
REAL	REAL	-8.73365448e+1 to 8.87228390e+1 or $-\infty/+\infty$
REAL	LREAL	-8.7336544750000000e+1 to 8.8722839050000000e+1 or $-\infty/+\infty$
LREAL	REAL	-7.08384950e+2 to 7.09782712e+2 or $-\infty/+\infty$
LREAL	LREAL	-7.0838495021978327e+1 to 7.0978271289338399e+2 or $-\infty/+\infty$

### ● Valid Value Ranges for LOG

Data type of <i>In</i>	Data type of <i>Out</i>	Valid Value Range
REAL	REAL	-3.79297795e+1 to 3.85318394e+1 or $-\infty/+\infty$
REAL	LREAL	-3.7929779453965430e+1 to 3.8531839419564961e+1 or $-\infty/+\infty$
LREAL	REAL	-3.07652656e+2 to 3.08254716e+2 or $-\infty/+\infty$
LREAL	LREAL	-3.0765265556858878e+2 to 3.0825471555991674e+2 or $-\infty/+\infty$

## Additional Information

When you calculate real numbers, use the instruction, *CheckReal* on page 2-252, to check if *Out* is positive infinity, negative infinity, or non-numeric data.

## Precautions for Correct Use

- If the value of *In* is not a positive number, the value of *Out* is as shown below.

Value of <i>In</i>	Value of <i>Out</i>
Negative number	Nonnumeric data
0	$-\infty$
$+\infty$	$+\infty$
$-\infty$	Nonnumeric data
Nonnumeric data	Nonnumeric data

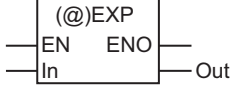


- If you pass an integer parameter to *ln*, the data type is converted as follows:

Data type of parameter that is passed to <i>ln</i>	Data type of <i>ln</i>
USINT, UINT, SINT, or INT	REAL
UDINT or DINT	LREAL
ULINT or LINT	A building error will occur.

# EXP

The EXP instruction performs calculations for the natural exponential function.

Instruction	Name	FB/ FUN	Graphic expression	ST expression
EXP	Natural Exponential Operation	FUN		Out:=EXP(In);

## Variables

	Meaning	I/O	Description	Valid range	Unit	Default
In	Exponent	Input	Exponent	Depends on data type.	---	*1
Out	Calculation result	Output	Calculation result	Depends on data type.*2	---	---

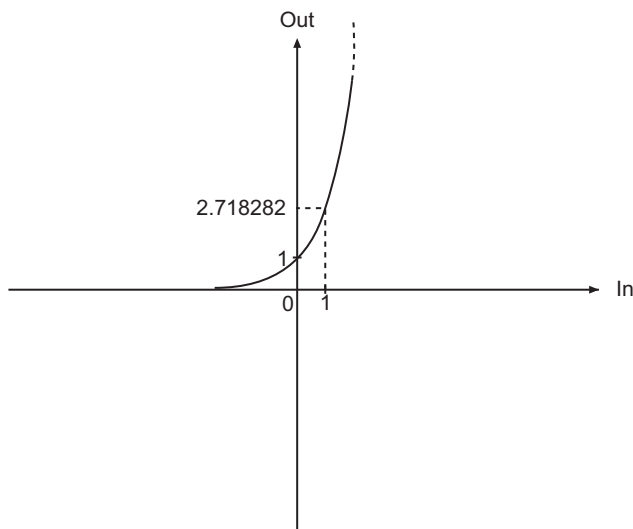
\*1. If you omit the input parameter, the default value is not applied. A building error will occur.

\*2. Negative numbers are excluded.

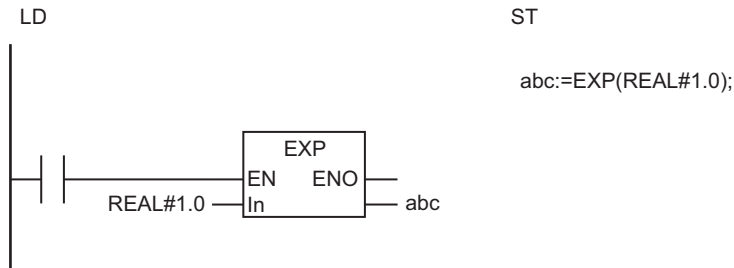
	Boo lean	Bit strings					Integers							Real num- bers		Times, durations, dates, and text strings				
	BOOL	BYTE	WORD	DWORD	LWORD	USINT	UINT	UDINT	ULINT	SINT	INT	DINT	LINT	REAL	LREAL	TIME	DATE	TOD	DT	STRING
In														OK	OK					
Out														OK	OK					

## Function

The EXP instruction returns the natural logarithm of *In* to the base e.



The following shows an example where *In* is REAL#1.0. The value of variable *abc* will be REAL#2.718282.



The EXP instruction returns the natural logarithm of *In* to the base e.  
The value of  $e^1$  is 2.718282, so the value of **abc** will be REAL#2.718282.



## Additional Information

- Use the instruction, *EXPT (\*\*)* on page 2-226, to find powers of numbers with bases other than e.
- When you calculate real numbers, use the instruction, *CheckReal* on page 2-252, to check if *Out* is positive infinity, negative infinity, or non-numeric data.

## Precautions for Correct Use

- If the value of *In* is 0.0, positive infinity, negative infinity, or nonnumeric data, the value of *Out* is as shown below.

Value of <i>In</i>	Value of <i>Out</i>	
	NX1P2	Other models
0.0	1.0	1.0
$+\infty$	$+\infty$	Nonnumeric data
$-\infty$	0.0	Nonnumeric data
Nonnumeric data	Nonnumeric data	Nonnumeric data

- If you pass an integer parameter to *In*, the data type is converted as follows:

Data type of parameter that is passed to <i>In</i>	Data type of <i>In</i>
USINT, UINT, SINT, or INT	REAL
UDINT or DINT	LREAL
ULINT or LINT	A building error will occur.

# EXPT (\*\*)

The EXPT (\*\*) instruction raises one real number to the power of another real number.

Instruction	Name	FB/ FUN	Graphic expression	ST expression
EXPT (**)	Exponentiation	FUN		Out:=EXPT(In, Pwr); Out:=In ** Pwr;

## Variables

	Meaning	I/O	Description	Valid range	Unit	Default
In	Base number	Input	Base number (e.g., 5 for 5 <sup>2</sup> )	Depends on data type.	---	*1
Pwr	Exponent		Exponent (e.g., 2 for 5 <sup>2</sup> )			
Out	Calculation result	Output	Calculation result	Depends on data type.	---	---

\*1. If you omit the input parameter, the default value is not applied. A building error will occur.

## The Instruction of LD and the EXPT Instruction in ST

	Boo lean	Bit strings					Integers							Real num- bers		Times, durations, dates, and text strings				
	BOOL	BYTE	WORD	DWORD	LWORD	USINT	UINT	UDINT	ULINT	SINT	INT	DINT	LINT	REAL	LREAL	TIME	DATE	TOD	DT	STRING
In														OK	OK					
Pwr														OK	OK					
Out														OK	OK					

## The \*\* Operator in ST

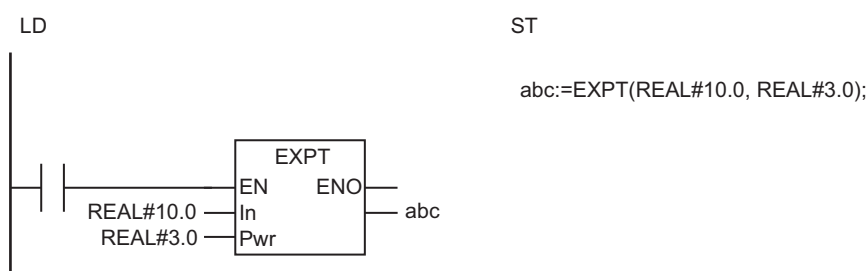
	Boo lean	Bit strings					Integers							Real num- bers		Times, durations, dates, and text strings				
	BOOL	BYTE	WORD	DWORD	LWORD	USINT	UINT	UDINT	ULINT	SINT	INT	DINT	LINT	REAL	LREAL	TIME	DATE	TOD	DT	STRING
In						OK	OK	OK	OK	OK	OK	OK	OK	OK	OK					
Pwr						OK	OK	OK	OK	OK	OK	OK	OK	OK	OK					

	Boo lean	Bit strings				Integers							Real num- bers		Times, durations, dates, and text strings					
	BOOL	BYTE	WORD	DWORD	LWORD	USINT	UINT	UDINT	ULINT	SINT	INT	DINT	LINT	REAL	LREAL	TIME	DATE	TOD	DT	STRING
Out						OK	OK	OK	OK	OK	OK	OK	OK	OK	OK					

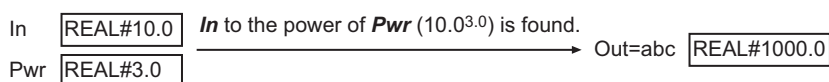
## Function

The EXPT (\*\*) instruction raises base number *In* to exponent *Pwr* to find  $In^{Pwr}$ .

The following shows an example where *In* and *Pwr* are REAL#10.0 and REAL#3.0, respectively. The value of variable *abc* will be REAL#1000.0.



The ACOS instruction finds *In* to the power of *Pwr*.  
 $10.0^{3.0}$  is 1,000.0, so the value of *abc* will be REAL#1000.0.



## Differences in Specifications between Ladder Diagrams and ST

Specifications of this instruction depend on whether it is used in ladder diagram programming, or the \*\* operator is used in ST. The following table gives the differences in specifications. The specifications of the EXPT instruction and the \*\* instruction in ladder diagram programming and the EXPT function in ST programming are exactly the same.

Item	EXPT functions in ladder diagram and ST	** operator in ST
Presence of <i>EN</i> and <i>ENO</i>	Present	None
Number of data processing bits if <i>In</i> and <i>Pwr</i> are integer data	32 or 64 <sup>*1</sup>	64 <sup>*2</sup>

- \*1. Operations are performed with REAL or LREAL data type, whichever is smaller. For example, if you operate SINT and DINT data, the data processing bits will be aligned to the size of LREAL data, i.e., 64-bit processing is performed.
- \*2. 64-bit processing is performed. For example, if one SINT value is raised to the power of another SINT value, 64-bit processing is performed.

## Additional Information

- Use the instruction, *EXP* on page 2-224, to find powers for base e.
- When you calculate real numbers, use the instruction, *CheckReal* on page 2-252, to check if *Out* is positive infinity, negative infinity, or non-numeric data.

## Precautions for Correct Use

- If the absolute value of a calculation result is lower than the minimum value for a real number, the value of *Out* will be 0.  
Example:  $(1.175494e-38)^2 \rightarrow 0$
- An error will not occur even if an underflow or overflow occurs in a calculation with the **\*\*** operator.
- If an underflow or overflow occurs in the calculation with the **\*\*** operator, the calculation result may not be as expected. Allow sufficient leeway in the sizes of the data types for input and output parameters so that overflows and underflows will not occur.
- For the EXPT instruction and **\*\*** instruction in ladder programming and the EXPT function in ST, if you pass an integer parameter to *In*, the data type is converted as follows:

Data type of parameter that is passed to <i>In</i>	Data type of <i>In</i>
USINT, UINT, SINT, or INT	REAL
UDINT or DINT	LREAL
ULINT or LINT	A building error will occur.

- With the **\*\*** operator, integer variables are calculated as real number variables, even when they are set as operands, if you select **1.15** or earlier version for **Version** in the Select Device Area of the Project Properties Dialog Box on the Sysmac Studio for an NX701 CPU Unit or an NJ-series CPU Unit.

If a rounding error is included in a calculation result, the result value may not be an intended value because it is rounded to the integer.

Use the EXPT and TO\_\*\* (Integer Conversion Group) instructions together to round the value to an integer.

Example) TO\_INT (EXPT(X,Y))

## Combination of *In* and *Pwr* Values

The following table shows the values of *Out* for different combinations of *In* and *Pwr* values.

● The *EXPT* Function for a Device Other Than the NX1P2 CPU Unit

		In									Nonnumeric data
		+∞	1 to +∞	1	0 to 1	0	-1 to 0	-1	-1 to -∞	-∞	
Pwr	+∞	+∞	+∞	1	0	1	0	1	+∞	1	Nonnumeric data
	Positive even number						Number *1*2	1	Number *1*2		Nonnumeric data
	Positive odd number	+∞	Number *1*2	1	Number *1*2	0	Number *2*3	-1	Number *2*3	+∞	
	Positive decimal number				Nonnumeric data						
	0	1	1			1	1			1	1
	Negative even number						Number *1*2	1	Number *1*2		Nonnumeric data
	Negative odd number	0	Number *1*2	1	Number *1*2	+∞	Number *2*3	-1	Number *2*3	0	
	Negative decimal number				Nonnumeric data						
	-∞	0	0	1	+∞	+∞	+∞	1	0	0	Nonnumeric data
Nonnumeric data	1	Nonnumeric data	1	Nonnumeric data	1	Nonnumeric data			1	Nonnumeric data 1	

- \*1. If the calculation result exceeds the valid value range of the data type of *Out*, the value of *Out* will be +∞.
- \*2. If the calculation result is too close to 0 to express with the data type of *Out*, or if it is a subnormal number, the value of *Out* will be 0.
- \*3. If the calculation result exceeds the valid value range of the data type of *Out*, the value of *Out* will be -∞.

● The *EXPT* Function for the NX1P2 CPU Unit

		In									
		+∞	1 to +∞	1	0 to 1	0	-1 to 0	-1	-1 to -∞	-∞	Nonnumeric data
Pwr	+∞	+∞	+∞	1	0	1	0	1	+∞	1	Nonnumeric data
	Positive even number						Number *1*2	1	Number *1*2	+∞	Nonnumeric data
	Positive odd number	+∞	Number *1*2	1	Number *1*2	0	Number *2*3	-1	Number *2*3	-∞	
	Positive decimal number						Nonnumeric data			+∞	
	0	1	1				1	1			1
	Negative even number						Number *1*2	1	Number *1*2	0	Nonnumeric data
	Negative odd number	0	Number *1*2	1	Number *1*2	+∞	Number *2*3	-1	Number *2*3	-0	
	Negative decimal number						Nonnumeric data			0	
	-∞	0	0	1	+∞	+∞	+∞	1	0	0	Nonnumeric data
	Nonnumeric data	1	Nonnumeric data	1	Nonnumeric data	1	Nonnumeric data			1	Nonnumeric data 1

- \*1. If the calculation result exceeds the valid value range of the data type of *Out*, the value of *Out* will be +∞.
- \*2. If the calculation result is too close to 0 to express with the data type of *Out*, or if it is a subnormal number, the value of *Out* will be 0.
- \*3. If the calculation result exceeds the valid value range of the data type of *Out*, the value of *Out* will be -∞.



● The \*\* Operator

		In									
		+ ∞	1 to +∞	1	0 to 1	0	-1 to 0	-1	-1 to -∞	-∞	Nonnumeric data
Pwr	+ ∞	+ ∞	+ ∞	1	0	1	0	1	+ ∞	1	Nonnumeric data
	Positive even number						Number *1*2	1	Number *1*2*3	+ ∞	Nonnumeric data
	Positive odd number	+ ∞	Number *1*2*3	1	Number *1*2	0	Number *2*4	-1	Number *2*3*4	-∞	
	Positive decimal number						Nonnumeric data			+ ∞	
	0	1	1			1	1			1	1
	Negative even number						Number *1*2	1	Number *1*2	0	Nonnumeric data
	Negative odd number	0	Number *1*2	1	Number *1*2	+∞*5	Number *2*4	-1	Number *2*4	-0	
	Negative decimal number						Nonnumeric data			0	
	-∞	0	0	1	+ ∞	+ ∞	+ ∞	1	0	0	Nonnumeric data
Nonnumeric data	1	Nonnumeric data			1	Nonnumeric data			1	Nonnumeric data 1	

- \*1. If the calculation result exceeds the valid value range of the data type of *Out*, the value of *Out* will be +∞.
- \*2. If the calculation result is too close to 0 to express with the data type of *Out*, or if it is a subnormal number, the value of *Out* will be 0.
- \*3. If both *In* and *Pwr* are integer data, *Out* will contain an undefined value when the calculation result exceeds the valid value range of the data type of *Out*.
- \*4. If the calculation result exceeds the valid value range of the data type of *Out*, the value of *Out* will be -∞.
- \*5. When both *In* and *Pwr* are integer data, *Out* will contain an undefined value.

# Inc and Dec

Inc : Increments an integer value.

Dec : Decrements an integer value.

Instruction	Name	FB/ FUN	Graphic expression	ST expression
Inc	Increment	FUN		Inc(InOut);
Dec	Decrement	FUN		Dec(InOut);

## Variables

	Meaning	I/O	Description	Valid range	Unit	Default
InOut	Target data	In-out	Target data	Depends on data type.	---	---
Out	Return value	Output	Always TRUE	TRUE only	---	---

	Boo lean	Bit strings					Integers							Real num- bers		Times, durations, dates, and text strings				
	BOOL	BYTE	WORD	DWORD	LWORD	USINT	UINT	UDINT	ULINT	SINT	INT	DINT	LINT	REAL	LREAL	TIME	DATE	TOD	DT	STRING
InOut						OK	OK	OK	OK	OK	OK	OK	OK							
Out	OK																			

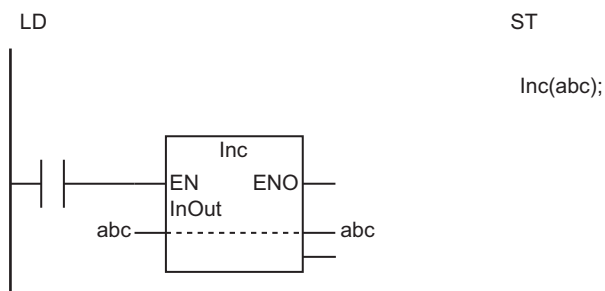
## Function

### Inc

The Inc instruction increments target data *InOut*. If the result value exceeds the maximum value of *InOut*, it returns to the minimum value.

#### ● Example for the Inc Instruction

The following shows an example where variable *abc* is passed to *InOut* for the Inc instruction. If the value of variable *abc* is INT#4, it will change to INT#5 after the instruction is executed.



The Inc instruction increments *InOut*.

If the value of *abc* is INT#4, the value of *abc* after the instruction is executed will be INT#5.



## Dec

The Dec instruction decrements target data *InOut*. If the result value exceeds the minimum value of *InOut*, it returns to the maximum value.

### Precautions for Correct Use

Return value *Out* is not used when these instructions are used in ST.

# Rand

The Rand instruction generates pseudorandom numbers.

Instruction	Name	FB/ FUN	Graphic expression	ST expression
Rand	Random Number	FB		Rand_instance(Execute, Seed, Rnd);

## Variables

	Meaning	I/O	Description	Valid range	Unit	Default
Seed	Random number pattern	Input	Random number pattern 0: Not specified.	Depends on data type.	---	*1
Rnd	Random number	Output	Random number	*2	---	---

\*1. If you omit the input parameter, the value will be 0. It will not be the value that is specified for the Initial Value attribute.

\*2. 0.000000000000000e+0 to 1.000000000000000e+0

	Boo lean	Bit strings					Integers							Real num- bers		Times, durations, dates, and text strings				
	BOOL	BYTE	WORD	DWORD	LWORD	USINT	UINT	UDINT	ULINT	SINT	INT	DINT	LINT	REAL	LREAL	TIME	DATE	TOD	DT	STRING
Seed							OK													
Rnd														OK						

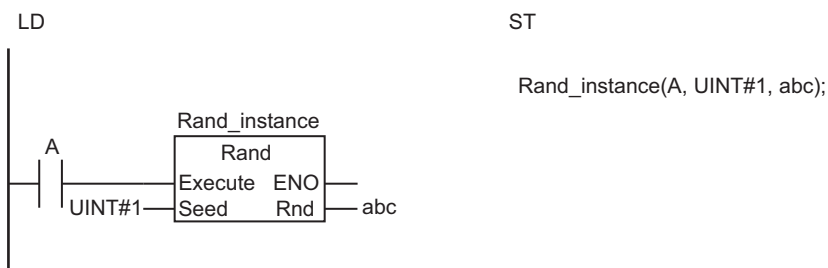
## Function

The Rand instruction specifies random number *Rnd*. The value of *Rnd* is different each time the instruction is executed.

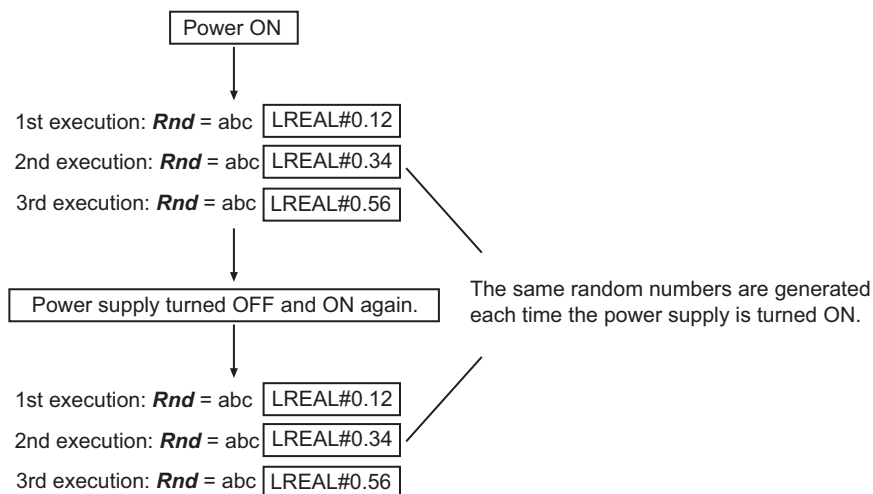
Random number pattern *Seed* specifies the random number series. If the value of *Seed* is the same, the same random number series is generated each time the power supply is turned ON. This allows you to generate a reproducible series of random numbers.

If the value of *Seed* is 0, irreproducible random numbers are generated. If you do not want to generate the same series of random numbers each time the power supply is turned ON, set the value of *Seed* to 0.

The following shows a programming example where *Seed* is UINT#1. The value of *Seed* is not 0, so reproducible random numbers are generated.



The Rand instruction generates a repeatable series of random numbers.



\* The values of the random numbers that are given above are examples. The actual values will be different.

## Additional Information

The value of *Rnd* is a real number between 0 and 1. Perform the following processing to generate random numbers within a specific range.

(Example) The following formula generates random numbers between 100 and 200.

```
Rand_instance(A, UINT#1, abc);
```

```
Random number:=LREAL_TO_INT((201-100)*abc-0.5)+100;
```

# AryAdd

The AryAdd instruction adds corresponding elements of two arrays.

Instruction	Name	FB/ FUN	Graphic expression	ST expression
AryAdd	Array Addition	FUN		AryAdd(In1, In2, Size, AryOut);

## Variables

	Meaning	I/O	Description	Valid range	Unit	Default
In1[] (array), In2[] (array)	Array to process	Input	Array to process	Depends on data type.	---	*1
Size	Number of elements to process		Number of elements to process			1
AryOut[] (array)	Calculation results array	In-out	Calculation results array	Depends on data type.	---	---
Out	Return value	Output	Always TRUE	TRUE only	---	---

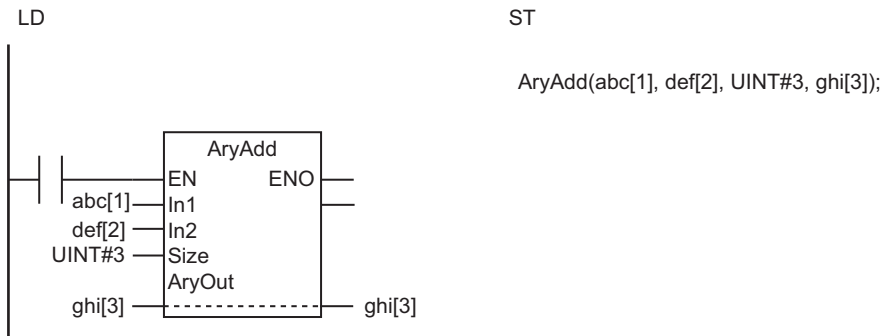
\*1. If you omit the input parameter, the default value is not applied. A building error will occur.

	Boo lean	Bit strings				Integers							Real num- bers		Times, durations, dates, and text strings					
	BOOL	BYTE	WORD	DWORD	LWORD	USINT	UINT	UDINT	ULINT	SINT	INT	DINT	LINT	REAL	LREAL	TIME	DATE	TOD	DT	STRING
In1[] (array)						OK	OK	OK	OK	OK	OK	OK	OK	OK						
In2[] (array)	Must be an array with the same data type as In1[].																			
Size							OK													
AryOut[] (array)	Must be an array with the same data type as In1[].																			
Out	OK																			

## Function

The AryAdd instruction adds each pair of corresponding *Size* elements in In1[] and In2[], which start from In1[0] and In2[0], respectively. It outputs each addition result to the corresponding element of AryOut[] (calculation results array).

The following shows an example where *Size* is UINT#3.



Size=UINT#3	In1[0]=abc[1]	+	In2[0]=def[2]	→	AryOut[0]=ghi[3]	3579
	In1[1]=abc[2]	+	In2[1]=def[3]	→	AryOut[1]=ghi[4]	5801
	In1[2]=abc[3]	+	In2[2]=def[4]	→	AryOut[2]=ghi[5]	8023

## Precautions for Correct Use

- Use the same data type for In1[], In2[], and AryOut[]. If they are different, a building error will occur.
- If calculation results exceed the valid value range of AryOut[], the results will be illegal values. This will not result in an error. Data in the memory area adjacent to those elements will not be corrupted.
- The values in AryOut[] do not change if the value of Size is 0.
- Return value Out is not used when this instruction is used in ST.
- An error will occur in the following case. ENO will be FALSE, and AryOut[] will not change.
  - a) The value of Size exceeds the array range of either In1[], In2[], or AryOut[].

# AryAddV

The AryAddV instruction adds the same value to specified elements of an array.

Instruction	Name	FB/ FUN	Graphic expression	ST expression
AryAddV	Array Value Addition	FUN	<pre> graph LR     EN[EN] --- AryAddV[(@)AryAddV]     In1[In1] --- AryAddV     In2[In2] --- AryAddV     Size[Size] --- AryAddV     AryOut[AryOut] --- AryAddV     AryAddV --- ENO[ENO]     AryAddV --- Out[Out]         </pre>	AryAddV(In1, In2, Size, AryOut);

## Variables

	Meaning	I/O	Description	Valid range	Unit	Default
In1[] (array)	Addition array	Input	Addition array	Depends on data type.	---	*1
In2	Value to add		Value to add			
Size	Number of elements		Number of elements of In1[] for addition			
AryOut[] (array)	Addition results array	In-out	Addition results array	Depends on data type.	---	---
Out	Return value	Output	Always TRUE	TRUE only	---	---

\*1. If you omit the input parameter, the default value is not applied. A building error will occur.

	Boo lean	Bit strings					Integers							Real numbers		Times, durations, dates, and text strings				
	BOOL	BYTE	WORD	DWORD	LWORD	USINT	UINT	UDINT	ULINT	SINT	INT	DINT	LINT	REAL	LREAL	TIME	DATE	TOD	DT	STRING
In1[] (array)						OK	OK	OK	OK	OK	OK	OK	OK	OK	OK					
In2	Must be the same data type as In1[].																			
Size						OK														
AryOut[] (array)	Must be the same data type as In1[]																			
Out	OK																			

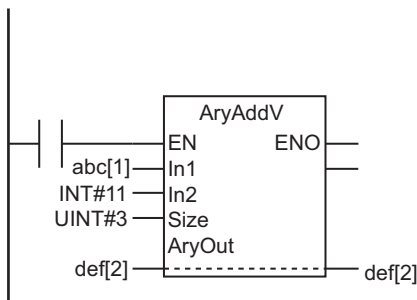
## Function

The AryAddV instruction adds value to add *In2* to each of *Size* elements of addition array *In1*[], which starts from *In1*[0]. It outputs the addition result to each corresponding element of *AryOut*[] (addition results array).

The following shows an example where *In2* and *Size* are INT#11 and UINT#3, respectively.



LD



ST

AryAddV(abc[1], INT#11, UINT#3, def[2]);

Size=UINT#3	In1[0]=abc[1]	12	+	In2=INT#11	→	AryOut[0]=def[2]	23
	In1[1]=abc[2]	23	+	In2=INT#11	→	AryOut[1]=def[3]	34
	In1[2]=abc[3]	34	+	In2=INT#11	→	AryOut[2]=def[4]	45

## Precautions for Correct Use

- Use the same data type for *In1*[], *In2*, and *AryOut*[]. Otherwise, a building error will occur.
- If addition results exceed the valid value range of *AryOut*[], the elements of *AryOut*[] will contain illegal values. This will not result in an error. Data in the memory area adjacent to those elements will not be corrupted.
- The values in *AryOut*[] do not change if the value of *Size* is 0.
- Return value *Out* is not used when this instruction is used in ST.
- An error will occur in the following case. *ENO* will be FALSE, and *AryOut*[] will not change.
  - a) The value of *Size* exceeds the array range of *In1*[] or *AryOut*[].

# ArySub

The ArySub instruction subtracts corresponding elements of two arrays.

Instruction	Name	FB/ FUN	Graphic expression	ST expression
ArySub	Array Subtraction	FUN		ArySub(In1, In2, Size, AryOut);

## Variables

	Meaning	I/O	Description	Valid range	Unit	Default
In1[] (array)	Minuend array	Input	Minuend array	Depends on data type.	---	*1
In2[] (array)	Subtrahend array		Subtrahend array			
Size	Number of elements		Number of elements for subtraction			1
AryOut[] (array)	Subtraction results array	In-out	Subtraction results array	Depends on data type.	---	---
Out	Return value	Output	Always TRUE	TRUE only	---	---

\*1. If you omit the input parameter, the default value is not applied. A building error will occur.

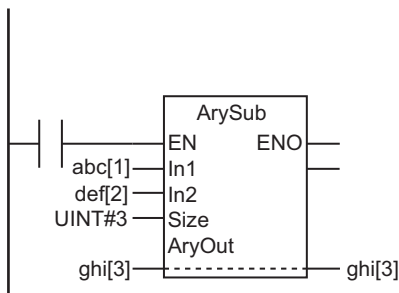
	Boo lean	Bit strings				Integers							Real numbers		Times, durations, dates, and text strings					
	BOOL	BYTE	WORD	DWORD	LWORD	USINT	UINT	UDINT	ULINT	SINT	INT	DINT	LINT	REAL	LREAL	TIME	DATE	TOD	DT	STRING
In1[] (array)						OK	OK	OK	OK	OK	OK	OK	OK	OK						
In2[] (array)	Must be the same data type as In1[]																			
Size						OK														
AryOut[] (array)	Must be the same data type as In1[]																			
Out	OK																			

## Function

The ArySub instruction subtracts each element value of *Size* elements in subtrahend array In2[] from the corresponding element of minuend array In1[]. It outputs each subtraction result to the corresponding element of AryOut[] (subtraction results array).

The following shows an example where *Size* is UINT#3.

LD



ST

ArySub(abc[1], def[2], UINT#3, ghi[3]);

Size=UINT#3	In1[0]=abc[1]	12	-	In2[0]=def[2]	1	→	AryOut[0]=ghi[3]	11
	In1[1]=abc[2]	23	-	In2[1]=def[3]	2	→	AryOut[1]=ghi[4]	21
	In1[2]=abc[3]	34	-	In2[2]=def[4]	3	→	AryOut[2]=ghi[5]	31

## Precautions for Correct Use

- Use the same data type for In1[], In2[], and AryOut[]. If they are different, a building error will occur.
- If subtraction results exceed the valid value range of AryOut[], the elements of AryOut[] will contain illegal values. This will not result in an error. Data in the memory area adjacent to those elements will not be corrupted.
- The values in AryOut[] do not change if the value of Size is 0.
- Return value *Out* is not used when this instruction is used in ST.
- An error will occur in the following case. ENO will be FALSE, and AryOut[] will not change.
  - a) The value of Size exceeds the array range of either In1[], In2[], or AryOut[].

# ArySubV

The ArySubV instruction subtracts the same value from specified elements of an array.

Instruction	Name	FB/ FUN	Graphic expression	ST expression
ArySubV	Array Value Subtraction	FUN		ArySubV(In1, In2, Size, AryOut);

## Variables

	Meaning	I/O	Description	Valid range	Unit	Default
In1[] (array)	Minuend array	Input	Minuend array	Depends on data type.	---	*1
In2	Subtrahend		Subtrahend			
Size	Number of elements		Number of elements of In1[] for subtraction			1
AryOut[] (array)	Subtraction results array	In-out	Subtraction results array	Depends on data type.	---	---
Out	Return value	Output	Always TRUE	TRUE only	---	---

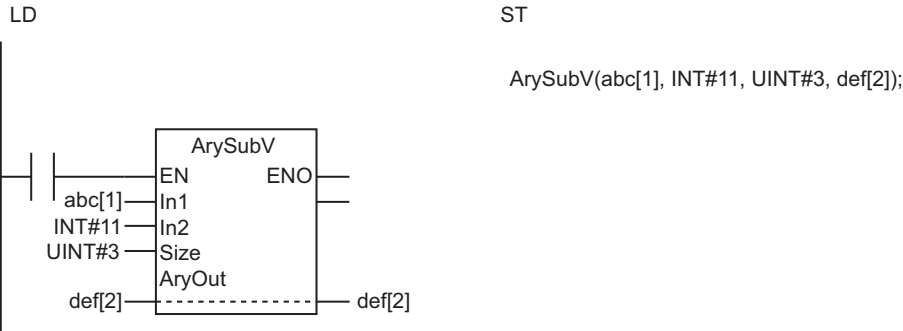
\*1. If you omit the input parameter, the default value is not applied. A building error will occur.

	Boo lean	Bit strings					Integers							Real num- bers		Times, durations, dates, and text strings				
	BOOL	BYTE	WORD	DWORD	LWORD	USINT	UINT	UDINT	ULINT	SINT	INT	DINT	LINT	REAL	LREAL	TIME	DATE	TOD	DT	STRING
In1[] (array)						OK	OK	OK	OK	OK	OK	OK	OK	OK						
In2	Must be the same data type as In1[].																			
Size						OK														
AryOut[] (array)	Must be the same data type as In1[]																			
Out	OK																			

## Function

The ArySubV instruction subtracts subtrahend *In2* from each element value of *Size* elements of minuend array *In1*[], which starts from *In1*[0]. It outputs each subtraction result to the corresponding element of *AryOut*[] (subtraction results array).

The following shows an example where *In2* and *Size* are INT#11 and UINT#3, respectively.

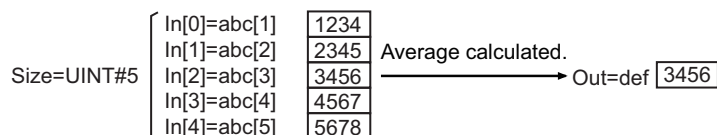


Size=UINT#3	[	In1[0]=abc[1]	22	-	In2=INT#11	→	AryOut[0]=def[2]	11
		In1[1]=abc[2]	33	-	In2=INT#11	→	AryOut[1]=def[3]	22
		In1[2]=abc[3]	44	-	In2=INT#11	→	AryOut[2]=def[4]	33

## Precautions for Correct Use

- Use the same data type for *In1*[], *In2*, and *AryOut*[]. Otherwise, a building error will occur.
- If subtraction results exceed the valid value range of *AryOut*[], the elements of *AryOut*[] will contain illegal values. This will not result in an error. Data in the memory area adjacent to those elements will not be corrupted.
- The values in *AryOut*[] do not change if the value of *Size* is 0.
- Return value *Out* is not used when this instruction is used in ST.
- An error will occur in the following case. *ENO* will be FALSE, and *AryOut*[] will not change.
  - a) The value of *Size* exceeds the array range of *In1*[] or *AryOut*[].





## Precautions for Correct Use

- Refer to the descriptions of the instructions, *ADD* (+) on page 2-179, *SUB* (-) on page 2-187, *MUL* (\*) on page 2-194, and *DIV* (/) on page 2-202, for calculation results when the value of *In*[] is positive infinity, negative infinity, or nonnumeric data.
- If *In*[] and *Out* are integers, the average value is truncated to an integer.
- If the data types of *In*[] and *Out* are different, make sure that the valid value range of *Out* accommodates the valid value range of *In*[].
- If a calculation result exceeds the valid value range of *Out*, *Out* will contain an illegal value. This will not result in an error.
- If an intermediate value in the calculation process exceeds the valid value range of *In*[], *Out* will contain an illegal value. This will not result in an error.
- If the value of *Size* is 0, the value of *Out* is 0.
- An error will occur in the following case. *ENO* will be FALSE, and *Out* will not change.
  - a) The value of *Size* exceeds the array range of *In*[].

# ArySD

The ArySD instruction calculates standard deviation of the elements of an array.

Instruction	Name	FB/ FUN	Graphic expression	ST expression
ArySD	Array Element Standard Deviation	FUN		Out:=ArySD(In, Size);

## Variables

	Meaning	I/O	Description	Valid range	Unit	Default
In[] (array)	Array to process	Input	Array to process	Depends on data type.	---	*1
Size	Number of elements		Number of elements of In[] for conversion			2
Out	Standard deviation	Output	Standard deviation	Depends on data type.	---	---

\*1. If you omit the input parameter, the default value is not applied. A building error will occur.

	Boo lean	Bit strings					Integers							Real num- bers		Times, durations, dates, and text strings				
	BOOL	BYTE	WORD	DWORD	LWORD	USINT	UINT	UDINT	ULINT	SINT	INT	DINT	LINT	REAL	LREAL	TIME	DATE	TOD	DT	STRING
In[] (array)														OK	OK					
Size							OK													
Out														OK	OK					

## Function

The ArySD instruction calculates the standard deviation of *Size* elements of array to process In[], which starts from In[0].

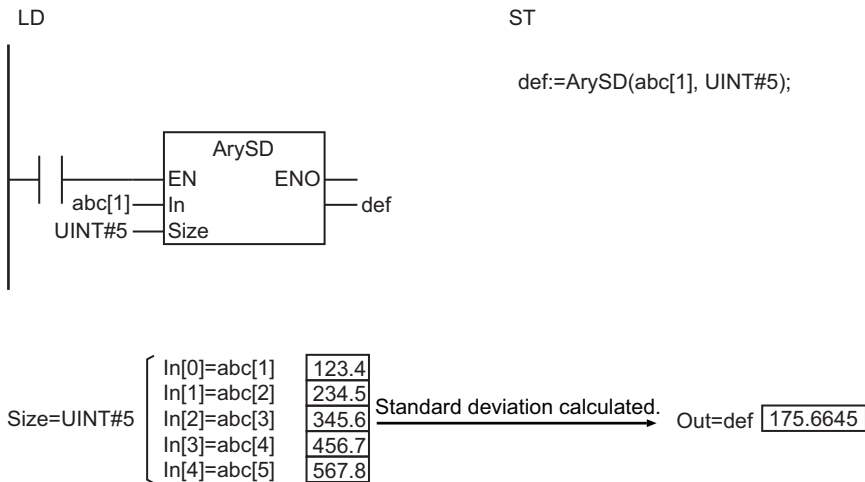
Unbiased variance is used to calculate the standard deviation for this instruction.

$$\text{Standard deviation} = \sqrt{\frac{\sum_i (\text{In}[i] - \text{InM})^2}{\text{Size} - 1}}$$

*i*: Subscript of In[], 0 to *Size* - 1  
InM: Average value of In[0] to In[*Size* - 1]

The following shows an example where *Size* is UINT#5.





## Precautions for Correct Use

- If the value of *Size* is 0 or 1, the value of *Out* is 0.
- If an intermediate value in the calculation process exceeds the valid value range of *In*[], *Out* will contain an illegal value. This will not result in an error.
- An error will occur in the following case. *ENO* will be FALSE, and *Out* will not change.
  - a) The value of *Size* exceeds the array range of *In*[].

# ModReal

The ModReal instruction calculates the remainder of real number division.

Instruction	Name	FB/ FUN	Graphic expression	ST expression
ModReal	Real Number Modulo-division	FUN		Out:=ModReal(In1, In2);

## Variables

	Meaning	I/O	Description	Valid range	Unit	Default
In1	Dividend	Input	Dividend	Depends on data type.	---	*1
In2	Divisor		Divisor			
Out	Remainder	Output	Remainder	Depends on data type.	---	---

\*1. If you omit the input parameter, the default value is not applied. A building error will occur.

	Boo lean	Bit strings					Integers							Real num- bers		Times, durations, dates, and text strings				
	BOOL	BYTE	WORD	DWORD	LWORD	USINT	UINT	UDINT	ULINT	SINT	INT	DINT	LINT	REAL	LREAL	TIME	DATE	TOD	DT	STRING
In1														OK	OK					
In2														OK	OK					
Out														OK	OK					

## Function

The ModReal instruction divides dividend *In1* by divisor *In2* to find the remainder.

This instruction performs the calculation with the following formula.

$$Out = In1 - (In1/In2)*In2$$

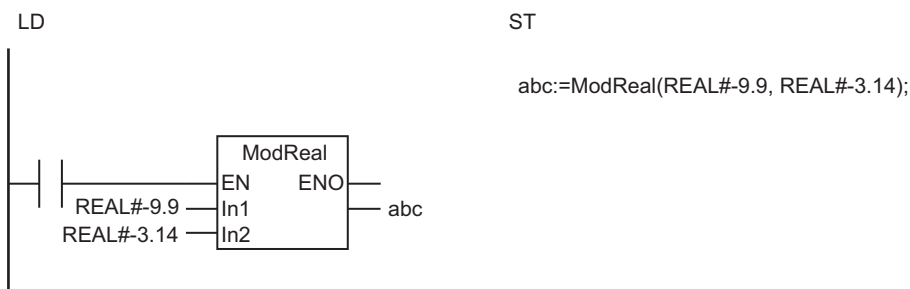
Decimal places are truncated in the division operation.

Examples with the values of *In1*, *In2* and *Out* are given in the following table.

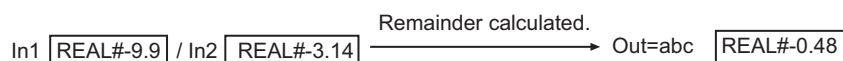
Value of <i>In1</i>	Value of <i>In2</i>	Value of <i>Out</i>
9.9	3.14	0.48
9.9	-3.14	0.48
-9.9	3.14	-0.48
-9.9	-3.14	-0.48

The following shows an example where *In1* and *In2* are REAL#-9.9 and REAL#-3.14, respectively.

The value of variable *abc* will be REAL#-0.48.



The ModReal instruction divides **In1** by **In2** to find the remainder.  
The remainder of  $-9.9/(-3.14)$  is  $-0.48$ , so the value of **abc** will be REAL#-0.48.



## Additional Information

When you calculate real numbers, use the instruction, *CheckReal* on page 2-252, to check if *Out* is positive infinity, negative infinity, or non-numeric data.

## Precautions for Correct Use

- The following table shows the values of *Out* for different combinations of *In1* and *In2* values.

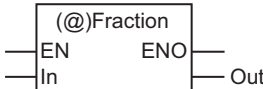
		In1				
		0	Number	$+\infty$	$-\infty$	Nonnumeric data
In2	0	Nonnumeric data	Nonnumeric data	Nonnumeric data	Nonnumeric data	Nonnumeric data
	Number	0	Remainder of <i>In1/In2</i>	Nonnumeric data	Nonnumeric data	Nonnumeric data
	$+\infty$	0	Value of <i>In1</i>	Nonnumeric data	Nonnumeric data	Nonnumeric data
	$-\infty$	0	Value of <i>In1</i>	Nonnumeric data	Nonnumeric data	Nonnumeric data
	Nonnumeric data	Nonnumeric data	Nonnumeric data	Nonnumeric data	Nonnumeric data	Nonnumeric data

- If you pass an integer parameter to *In1* or *In2*, the data type is converted as follows:

Data type of parameter that is passed to <i>In1</i> or <i>In2</i>	Data type of <i>In1</i> or <i>In2</i>
USINT, UINT, SINT, or INT	REAL
UDINT or DINT	LREAL
ULINT or LINT	A building error will occur.

# Fraction

The Fraction instruction finds the fractional part of a real number.

Instruction	Name	FB/ FUN	Graphic expression	ST expression
Fraction	Real Number Fraction	FUN		Out:=Fraction(In);

## Variables

	Meaning	I/O	Description	Valid range	Unit	Default
In	Real number	Input	Real number	Depends on data type.	---	*1
Out	Fractional part	Output	Fractional part	Depends on data type.	---	---

\*1. If you omit the input parameter, the default value is not applied. A building error will occur.

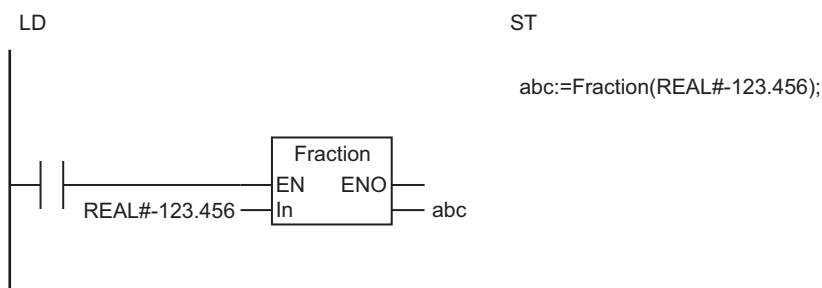
	Boo lean	Bit strings					Integers							Real num- bers		Times, durations, dates, and text strings				
	BOOL	BYTE	WORD	DWORD	LWORD	USINT	UINT	UDINT	ULINT	SINT	INT	DINT	LINT	REAL	LREAL	TIME	DATE	TOD	DT	STRING
In														OK	OK					
Out														OK	OK					

## Function

The Fraction instruction finds the fractional part of real number *In*.

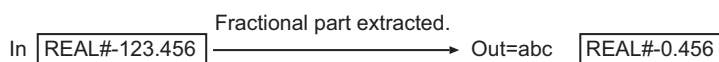
The following shows an example where *In* is REAL#-123.456.

The value of variable *abc* will be REAL#-0.456.



The Fraction instruction finds the fractional part of *In*.

The fractional part of -123.456 is -0.456, so the value of *abc* will be REAL#0.456.



## Additional Information

- When you calculate real numbers, use the instruction, *CheckReal* on page 2-252, to check if *Out* is positive infinity, negative infinity, or non-numeric data.
- If you pass an integer parameter to *In*, the data type is converted as follows:

Data type of parameter that is passed to <i>In</i>	Data type of <i>In</i>
USINT, UINT, SINT, or INT	REAL
UDINT or DINT	LREAL
ULINT or LINT	A building error will occur.

# CheckReal

The CheckReal instruction checks a real number to see if it is infinity or nonnumeric data.

Instruction	Name	FB/ FUN	Graphic expression	ST expression
CheckReal	Real Number Check	FUN		CheckReal(In, Nan, PosInfinite, NegInfinite);

## Variables

	Meaning	I/O	Description	Valid range	Unit	Default
In	Real number	Input	Real number	Depends on data type.	---	*1
Out	Return value	Output	Always TRUE	TRUE only	---	---
Nan	Nonnumeric data check result		TRUE: Nonnumeric data FALSE: FALSE: Not nonnumeric data	Depends on data type.		
PosInfinite	Positive infinity check result		TRUE: Positive infinity FALSE: Not positive infinity			
NegInfinite	Negative infinity check result		TRUE: Negative infinity FALSE: Not negative infinity			

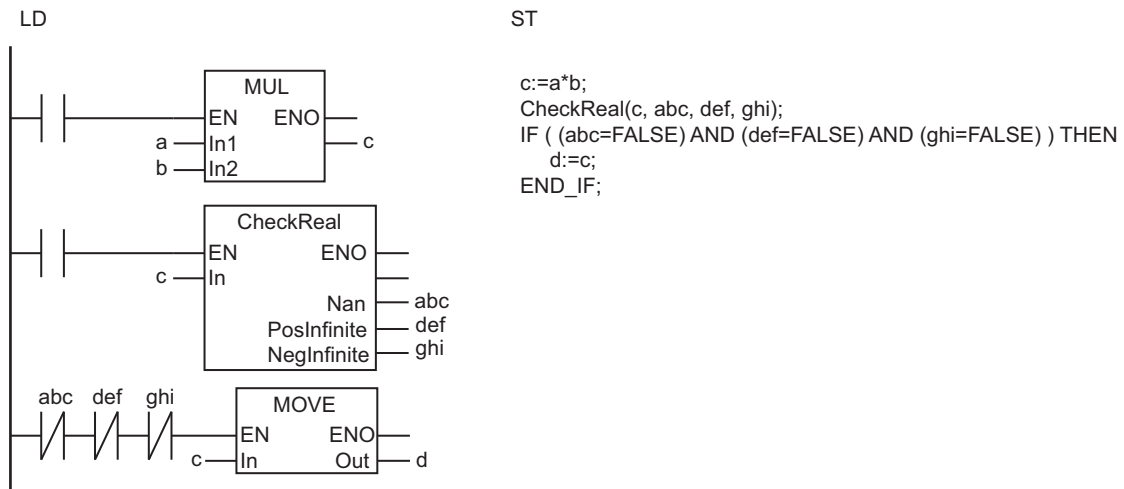
\*1. If you omit the input parameter, the default value is not applied. A building error will occur.

	Boo lean	Bit strings				Integers								Real num- bers		Times, durations, dates, and text strings				
	BOOL	BYTE	WORD	DWORD	LWORD	USINT	UINT	UDINT	ULINT	SINT	INT	DINT	LINT	REAL	LREAL	TIME	DATE	TOD	DT	STRING
In														OK	OK					
Out	OK																			
Nan	OK																			
PosInfinite	OK																			
NegInfinite	OK																			

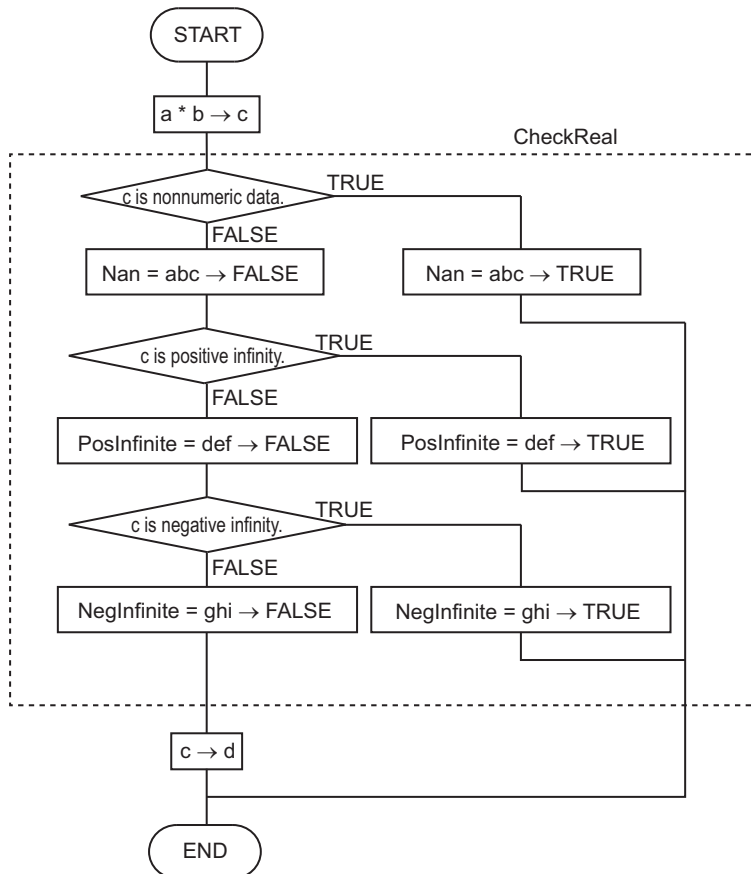
## Function

The CheckReal instruction checks a real number *In* to see if it is nonnumeric data, positive infinity, or negative infinity. It outputs the result to *Nan*, *PosInfinite*, and *NegInfinite*.

The following figure shows a programming example. The values of REAL variables *a* and *b* are multiplied, and the result is tested to see if it is a real number. If the multiplication result is a real number, it is assigned to variable *d*.



If the product *c* of *a* and *b* is not nonnumeric data, positive infinity, or negative infinity, then the value of *c* is assigned to *d*.



### Additional Information

Use this instruction on the result of a math instruction that handles real numbers to check if the result is nonnumeric data, positive infinity, or negative infinity.

## Precautions for Correct Use

- Return value *Out* is not used when this instruction is used in ST.
- If you pass an integer parameter to *In*, the data type is converted as follows:

Data type of parameter that is passed to <i>In</i>	Data type of <i>In</i>
USINT, UINT, SINT, or INT	REAL
UDINT or DINT	LREAL
ULINT or LINT	A building error will occur.



## BCD Conversion Instructions

Instruction	Name	Page
**_BCD_TO_***	BCD-to-Unsigned Integer Conversion Group	page 2-256
**_TO_BCD_***	Unsigned Integer-to-BCD Conversion Group	page 2-259
BCD_TO_**	BCD Data Type-to-Unsigned Integer Conversion Group	page 2-262
BCDsToBin	Signed BCD-to-Signed Integer Conversion	page 2-265
BinToBCDs_**	Signed Integer-to-BCD Conversion Group	page 2-268
AryToBCD	Array BCD Conversion	page 2-271
AryToBin	Array Unsigned Integer Conversion	page 2-273

# \*\* \_BCD\_TO\_ \*\*\*

These instructions convert BCD bit strings into unsigned integers.

Instruction	Name	FB/ FUN	Graphic expression	ST expression
**_BCD_TO_*	BCD-to-Unsigned Integer Conversion Group	FUN	<p>*** must be a bit string data type. ***** must be an integer data type.</p>	Out:=**_BCD_TO_*** (In); *** must be a bit string data type. ***** must be an integer data type.

## Variables

	Meaning	I/O	Description	Valid range	Unit	Default
In	Data to convert	Input	Data to convert	*1	---	0
Out	Conversion result	Output	Conversion result	*1	---	---

\*1. The valid ranges depend on the data types of *In* and *Out*. Refer to *Valid Range* on page 2-257, below, for details.

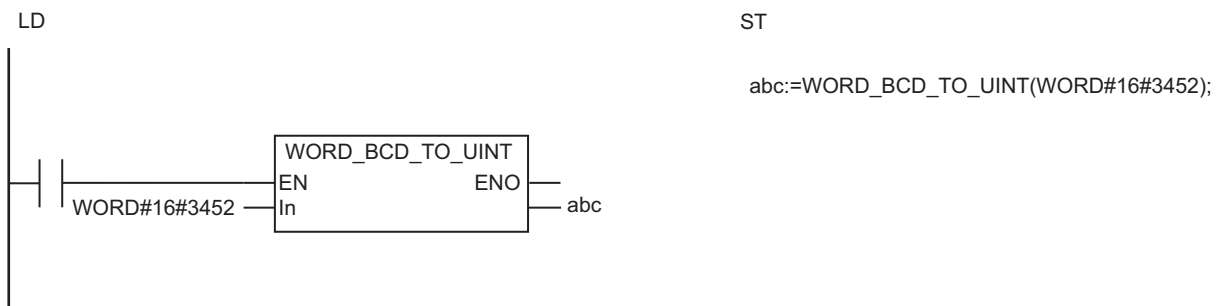
	Boo lean	Bit strings					Integers							Real num- bers		Times, durations, dates, and text strings				
	BOOL	BYTE	WORD	DWORD	LWORD	USINT	UINT	UDINT	ULINT	SINT	INT	DINT	LINT	REAL	LREAL	TIME	DATE	TOD	DT	STRING
In		OK	OK	OK	OK															
Out						OK	OK	OK	OK	OK	OK	OK								

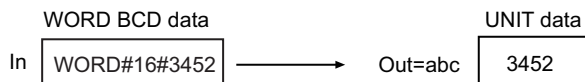
## Function

These instructions convert data to convert *In* (which must be a BCD bit string) into an unsigned integer.

The name of the instruction is determined by the data types of *In* and conversion result *Out*. For example, if *In* is WORD data and *Out* is UINT data, the name of the instruction is WORD\_BCD\_TO\_UINT.

The following example for the WORD\_BCD\_TO\_UINT instruction is for when *In* is WORD16#3452.





## Valid Range

The following table shows the valid ranges for *In* and *Out* according to their data types.

Data type of <i>In</i>	Data type of <i>Out</i>	Valid range for <i>In</i>	Valid range for <i>Out</i>
BYTE	USINT	16#00 to 16#99 (BCD)	0 to 99
	UINT		
	UDINT		
	ULINT		
	SINT		
	INT		
	DINT		
WORD	LINT		
	USINT	16#0000 to 16#0255 (BCD)	0 to 255
	UINT	16#0000 to 16#9999 (BCD)	0 to 9999
	UDINT		
	ULINT		
	SINT	16#0000 to 16#0127 (BCD)	0 to 127
	INT	16#0000 to 16#9999 (BCD)	0 to 9999
	DINT		
LINT			
DWORD	USINT	16#0000_0000 to 16#0000_0255 (BCD)	0 to 255
	UINT	16#0000_0000 to 16#0006_5535 (BCD)	0 to 65535
	UDINT	16#0000_0000 to 16#9999_9999 (BCD)	0 to 99999999
	ULINT		
	SINT	16#0000_0000 to 16#0000_0127 (BCD)	0 to 127
	INT	16#0000_0000 to 16#0003_2767 (BCD)	0 to 32767
	DINT	16#0000_0000 to 16#9999_9999 (BCD)	0 to 99999999
	LINT		

Data type of <i>In</i>	Data type of <i>Out</i>	Valid range for <i>In</i>	Valid range for <i>Out</i>
LWORD	USINT	16#0000_0000_0000_0000 to 16#0000_0000_0000_0255 (BCD)	0 to 255
	UINT	16#0000_0000_0000_0000 to 16#0000_0000_0006_5535 (BCD)	0 to 65535
	UDINT	16#0000_0000_0000_0000 to 16#0000_0042_9496_7295 (BCD)	0 to 4294967295
	ULINT	16#0000_0000_0000_0000 to 16#9999_9999_9999_9999 (BCD)	0 to 9999999999999999
	SINT	16#0000_0000_0000_0000 to 16#0000_0000_0000_0127 (BCD)	0 to 127
	INT	16#0000_0000_0000_0000 to 16#0000_0000_0003_2767 (BCD)	0 to 32767
	DINT	16#0000_0000_0000_0000 to 16#0000_0021_4748_3647 (BCD)	0 to 2147483647
	LINT	16#0000_0000_0000_0000 to 16#9999_9999_9999_9999 (BCD)	0 to 9999999999999999

### Additional Information

- To convert a BCD bit string to an integer, use the instruction, *BCD\_TO\_\*\** on page 2-262.
- To convert an integer to a BCD bit string, use the instruction, *\*\*\_TO\_BCD\_\*\*\** on page 2-259.

### Precautions for Correct Use

- Always use the correct instruction name for the data types of *In* and *Out*.
- If the data size of *Out* is larger than the data size of *In*, the upper digits of *Out* will contain 0.
- An error will occur in the following cases. *ENO* will be FALSE, and *Out* will not change.
  - a) The value of *In* is outside the valid range.
  - b) The value in *In* is not BCD bit string data (i.e., contains A, B, C, D, E, or F hexadecimal).

# \*\*\_TO\_BCD\_\*\*

These instructions convert unsigned integers to BCD bit strings.

Instruction	Name	FB/ FUN	Graphic expression	ST expression
**_TO_BCD_**	Unsigned Integer-to-BCD Conversion Group	FUN	<p>Graphic expression showing a box labeled (@)**_TO_BCD_** with EN and In inputs and ENO and Out outputs.</p>	Out:=**_TO_BCD_** (In); "****" must be an integer data type. "*****" must be a bit string data type.

## Variables

	Meaning	I/O	Description	Valid range	Unit	Default
In	Data to convert	Input	Data to convert	*1	---	0
Out	Conversion result	Output	Conversion result	*1	---	---

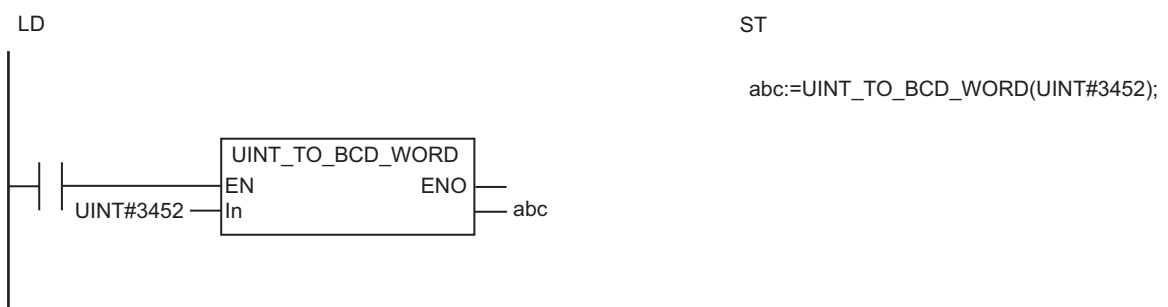
\*1. The valid ranges depend on the data types of *In* and *Out*. Refer to *Valid Range* on page 2-260, below, for details.

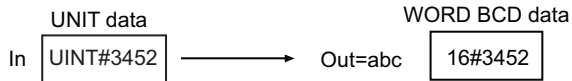
	Boo lean	Bit strings					Integers							Real num- bers		Times, durations, dates, and text strings				
	BOOL	BYTE	WORD	DWORD	LWORD	USINT	UINT	UDINT	ULINT	SINT	INT	DINT	LINT	REAL	LREAL	TIME	DATE	TOD	DT	STRING
In						OK	OK	OK	OK	OK	OK	OK								
Out		OK	OK	OK	OK															

## Function

These instructions convert data to convert *In* (which must be an unsigned integer) to a BCD bit string. The name of the instruction is determined by the data types of *In* and conversion result *Out*. For example, if *In* is *UINT* data and *Out* is *WORD* data, the name of the instruction is *UINT\_TO\_BCD\_WORD*.

The following example for the *UINT\_TO\_BCD\_WORD* instruction is for when *In* is *UNIT#3452*.





## Valid Range

The following table shows the valid ranges for *In* and *Out* according to their data types.

Data type of <i>In</i>	Data type of <i>Out</i>	Valid range for <i>In</i>	Valid range for <i>Out</i>
USINT	BYTE	0 to 99	16#00 to 16#99 (BCD)
	WORD	0 to 255	16#0000 to 16#0255 (BCD)
	DWORD		16#0000_0000 to 16#0000_0255 (BCD)
	LWORD		16#0000_0000_0000_0000 to 16#0000_0000_0000_0255 (BCD)
UINT	BYTE	0 to 99	16#00 to 16#99 (BCD)
	WORD	0 to 9999	16#0000 to 16#9999 (BCD)
	DWORD	0 to 65535	16#0000_0000 to 16#0006_5535 (BCD)
	LWORD		16#0000_0000_0000_0000 to 16#0000_0000_0006_5535 (BCD)
UDINT	BYTE	0 to 99	16#00 to 16#99 (BCD)
	WORD	0 to 9999	16#0000 to 16#9999 (BCD)
	DWORD	0 to 99999999	16#0000_0000 to 16#9999_9999 (BCD)
	LWORD	0 to 4294967295	16#0000_0000_0000_0000 to 16#0000_0042_9496_7295 (BCD)
ULINT	BYTE	0 to 99	16#00 to 16#99 (BCD)
	WORD	0 to 9999	16#0000 to 16#9999 (BCD)
	DWORD	0 to 99999999	16#0000_0000 to 16#9999_9999 (BCD)
	LWORD	0 to 9999999999999999	16#0000_0000_0000_0000 to 16#9999_9999_9999_9999 (BCD)
SINT	BYTE	0 to 99	16#00 to 16#99 (BCD)
	WORD	0 to 127	16#0000 to 16#0127 (BCD)
	DWORD		16#0000_0000 to 16#0000_0127 (BCD)
	LWORD		16#0000_0000_0000_0000 to 16#0000_0000_0000_0127 (BCD)
INT	BYTE	0 to 99	16#00 to 16#99 (BCD)
	WORD	0 to 9999	16#0000 to 16#9999 (BCD)
	DWORD	0 to 32767	16#0000_0000 to 16#0003_2767 (BCD)
	LWORD		16#0000_0000_0000_0000 to 16#0000_0000_0003_2767 (BCD)
DINT	BYTE	0 to 99	16#00 to 16#99 (BCD)
	WORD	0 to 9999	16#0000 to 16#9999 (BCD)
	DWORD	0 to 99999999	16#0000_0000 to 16#9999_9999 (BCD)
	LWORD	0 to 2147483647	16#0000_0000_0000_0000 to 16#0000_0021_4748_3647 (BCD)

Data type of <i>In</i>	Data type of <i>Out</i>	Valid range for <i>In</i>	Valid range for <i>Out</i>
LINT	BYTE	0 to 99	16#00 to 16#99 (BCD)
	WORD	0 to 9999	16#0000 to 16#9999 (BCD)
	DWORD	0 to 99999999	16#0000_0000 to 16#9999_9999 (BCD)
	LWORD	0 to 9999999999999999	16#0000_0000_0000_0000 to 16#9999_9999_9999_9999 (BCD)

### Additional Information

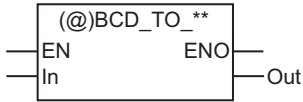
- To convert a specific BCD bit string to an integer, use the instruction, **\*\*\_BCD\_TO\_\*\*** on page 2-256.
- To convert a BCD bit string to an integer, use the instruction, **BCD\_TO\_\*\*** on page 2-262.

### Precautions for Correct Use

- Always use the correct instruction name for the data types of *In* and *Out*.
- If the data size of *Out* is larger than the data size of *In*, the upper digits of *Out* will contain 0.
- An error will occur in the following case. *ENO* will be FALSE, and *Out* will not change.
  - a) The value of *In* is outside the valid range.

# BCD\_TO\_\*\*

The BCD\_TO\_\*\* instruction converts BCD bit strings into unsigned integers.

Instruction	Name	FB/ FUN	Graphic expression	ST expression
BCD_TO_**	BCD Data Type-to-Unsigned Integer Conversion Group	FUN	 <p>**** must be an integer data type.</p>	Out:=BCD_TO_** (In); **** must be an integer data type.

## Variables

	Meaning	I/O	Description	Valid range	Unit	Default
In	Data to convert	Input	Data to convert	*1	---	*2
Out	Conversion result	Output	Conversion result	*1	---	---

\*1. The valid ranges depend on the data types of *In* and *Out*. Refer to *Valid Range* on page 2-263, below, for details.

\*2. If you omit the input parameter, the default value is not applied. A building error will occur.

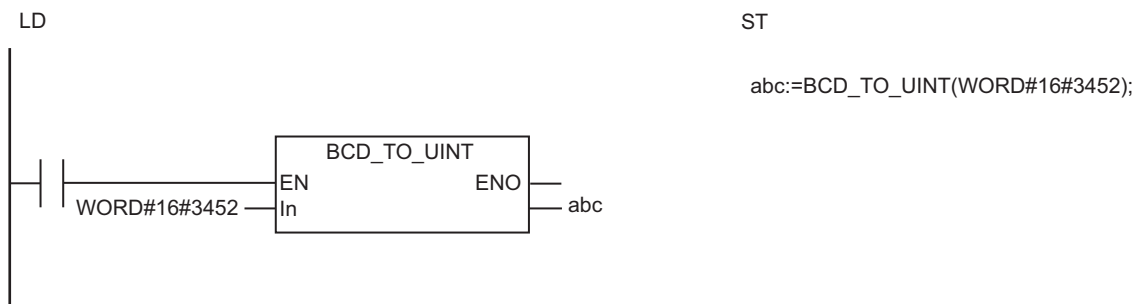
	Boo lean	Bit strings					Integers							Real num- bers		Times, durations, dates, and text strings				
	BOOL	BYTE	WORD	DWORD	LWORD	USINT	UINT	UDINT	ULINT	SINT	INT	DINT	LINT	REAL	LREAL	TIME	DATE	TOD	DT	STRING
In		OK	OK	OK	OK															
Out						OK	OK	OK	OK	OK	OK	OK								

## Function

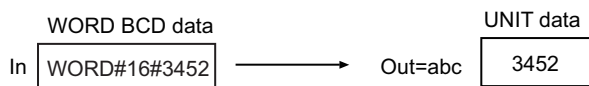
These instructions convert data to convert *In* (which must be a BCD bit string) into an unsigned integer.

The name of the instruction is determined by the data type of conversion result *Out*. For example, if *Out* is the UINT data type, the instruction is BCD\_TO\_UINT.

The following example for the BCD\_TO\_UINT instruction is for when *In* is WORD#16#3452.







## Valid Range

The following table shows the valid ranges for *In* and *Out* according to their data types.

Data type of <i>In</i>	Data type of <i>Out</i>	Valid range for <i>In</i>	Valid range for <i>Out</i>
BYTE	USINT	16#00 to 16#99 (BCD)	0 to 99
	UINT		
	UDINT		
	ULINT		
	SINT		
	INT		
	DINT		
	LINT		
WORD	USINT	16#0000 to 16#0255 (BCD)	0 to 255
	UINT	16#0000 to 16#9999 (BCD)	0 to 9999
	UDINT		
	ULINT	16#0000 to 16#0127 (BCD)	0 to 127
	SINT		
	INT		
	DINT		
	LINT	16#0000 to 16#9999 (BCD)	0 to 9999
DWORD	USINT	16#0000_0000 to 16#0000_0255 (BCD)	0 to 255
	UINT	16#0000_0000 to 16#0006_5535 (BCD)	0 to 65535
	UDINT	16#0000_0000 to 16#9999_9999 (BCD)	0 to 99999999
	ULINT		
	SINT	16#0000_0000 to 16#0000_0127 (BCD)	0 to 127
	INT	16#0000_0000 to 16#0003_2767 (BCD)	0 to 32767
	DINT	16#0000_0000 to 16#9999_9999 (BCD)	0 to 99999999
	LINT		

Data type of <i>In</i>	Data type of <i>Out</i>	Valid range for <i>In</i>	Valid range for <i>Out</i>
LWORD	USINT	16#0000_0000_0000_0000 to 16#0000_0000_0000_0255 (BCD)	0 to 255
	UINT	16#0000_0000_0000_0000 to 16#0000_0000_0006_5535 (BCD)	0 to 65535
	UDINT	16#0000_0000_0000_0000 to 16#0000_0042_9496_7295 (BCD)	0 to 4294967295
	ULINT	16#0000_0000_0000_0000 to 16#9999_9999_9999_9999 (BCD)	0 to 9999999999999999
	SINT	16#0000_0000_0000_0000 to 16#0000_0000_0000_0127 (BCD)	0 to 127
	INT	16#0000_0000_0000_0000 to 16#0000_0000_0003_2767 (BCD)	0 to 32767
	DINT	16#0000_0000_0000_0000 to 16#0000_0021_4748_3647 (BCD)	0 to 2147483647
	LINT	16#0000_0000_0000_0000 to 16#9999_9999_9999_9999 (BCD)	0 to 9999999999999999

### Additional Information

- To convert a specific BCD bit string to an integer, use the instruction, **\*\*\_BCD\_TO\_\*\*\*** on page 2-256.
- To convert an integer to a BCD bit string, use the instruction, **\*\*\_TO\_BCD\_\*\*\*** on page 2-259.

### Precautions for Correct Use

- Always use the correct instruction name for the data type of *Out*.
- If the data size of *Out* is larger than the data size of *In*, the upper digits of *Out* will contain 0.
- An error will occur in the following cases. *ENO* will be FALSE, and *Out* will not change.
  - a) The value of *In* is outside the valid range.
  - b) The value in *In* is not BCD bit string data (i.e., contains A, B, C, D, E, or F hexadecimal).

# BCDsToBin

The BCDsToBin instruction converts signed BCD bit strings to signed integers.

Instruction	Name	FB/ FUN	Graphic expression	ST expression
BCDsToBin	Signed BCD-to-Signed Integer Conversion	FUN		Out:=BCDsToBin(In, Format);

## Variables

	Meaning	I/O	Description	Valid range	Unit	Default
In	Data to convert	Input	Data to convert	*1	---	*2
Format	Data format number		Format of BCD bit string	_BCD0 to _BCD3		_BCD0
Out	Conversion result	Output	Conversion result	*1	---	---

\*1. The valid range depends on the value of *Format*. Refer to *Valid Range* on page 2-266, below, for details.

\*2. If you omit the input parameter, the default value is not applied. A building error will occur.

	Boo lean	Bit strings				Integers							Real num- bers		Times, durations, dates, and text strings					
	BOOL	BYTE	WORD	DWORD	LWORD	USINT	UINT	UDINT	ULINT	SINT	INT	DINT	LINT	REAL	LREAL	TIME	DATE	TOD	DT	STRING
In		OK	OK	OK	OK															
Format	Refer to <i>Function</i> on page 2-265 for the enumerators of the enumerated type <code>_eBCD_FORMAT</code> .																			
Out	Must be a signed integer data type that is the same size as <i>In</i> .																			

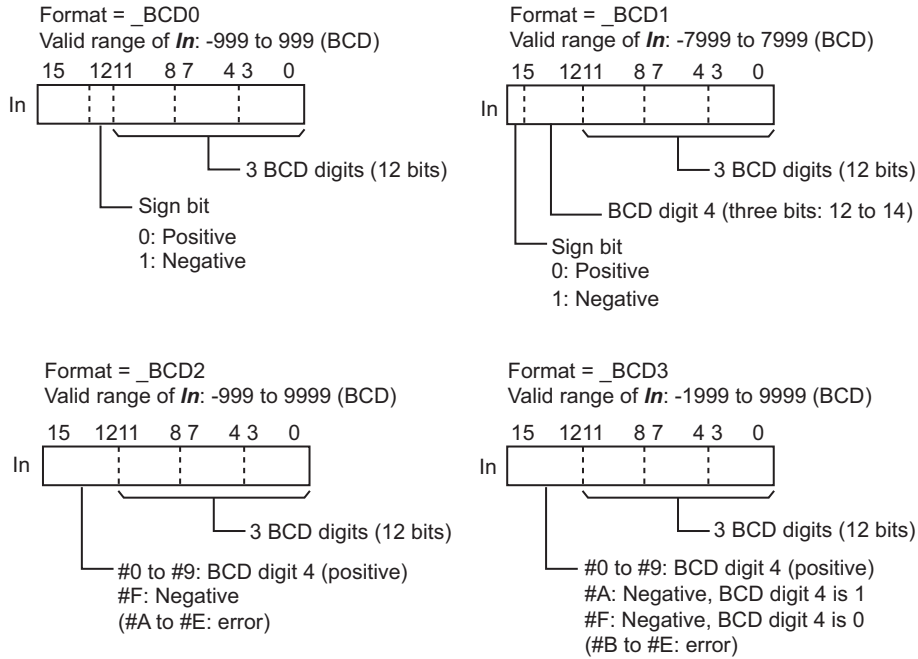
## Function

The BCDsToBin instruction converts signed BCD bit string *In* to a signed integer.

The data type of data format number *Format* is enumerated type `_eBCD_FORMAT`.

Select one of the following: `_BCD0`, `_BCD1`, `_BCD2`, or `_BCD3`. The sign specification in the upper four bits of *In* depends on the BCD format number.

The data format examples shown below use `WORD` data for *In*.



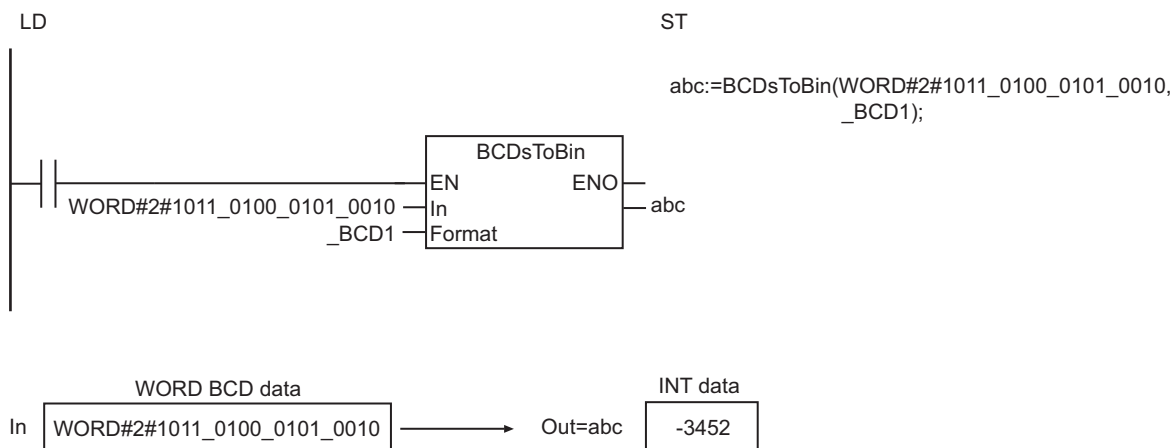
## Valid Range

The data types of *In* and *Out* should be of the same size. The valid ranges depend on the value of *Format*, as shown below.

		Value of <i>Format</i>			
		_BCD0	_BCD1	_BCD2	_BCD3
Data type of <i>In</i>	BYTE	-9 to 9	-79 to 79	-9 to 99	-19 to 99
	SINT				
Data type of <i>Out</i>	WORD	-999 to 999	-7999 to 7999	-999 to 9999	-1999 to 9999
	INT				
	DWORD	-9999999 to 9999999	-79999999 to 79999999	-9999999 to 99999999	-19999999 to 99999999
	DINT				
	LWORD	-9999999999999999 to 9999999999999999	-7999999999999999 to 7999999999999999	-9999999999999999 to 9999999999999999	-1999999999999999 to 9999999999999999
	LINT				

## Notation Example

The following example is for when *In* is WORD#2#1011\_0100\_0101\_0010 and *Format* is \_BCD1.

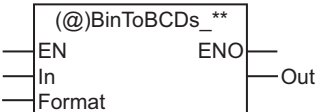


## Precautions for Correct Use

- The data types of *In* and *Out* should be of the same size.
- An error will occur in the following cases. *ENO* will be FALSE, and *Out* will not change.
  - a) The value of *Format* is *\_BCD0*, and the upper digit of *In* is 2 to F.
  - b) The value of *Format* is *\_BCD2*, and the upper digit of *In* is A to E.
  - c) The value of *Format* is *\_BCD3*, and the upper digit of *In* is B to E.
  - d) Except for the above conditions, any digit in *In* is A to F.
  - e) The value of *Format* is outside the valid range.

# BinToBCDs\_\*\*

These instructions convert signed integers to signed BCD bit strings.

Instruction	Name	FB/ FUN	Graphic expression	ST expression
BinToBCDs_**	Signed Integer-to-BCD Conversion Group	FUN	 <p>**** must be a bit string data type.</p>	Out:=BinToBCDs(In, Format); **** must be a bit string data type.

## Variables

	Meaning	I/O	Description	Valid range	Unit	Default
In	Data to convert	Input	Data to convert	*1	---	0
Format	Data format number		Format of BCD bit string	_BCD0 to _BCD3		_BCD0
Out	Conversion result	Output	Conversion result	*1	---	---

\*1. The valid range depends on the value of *Format*. Refer to *Valid Range* on page 2-269, below, for details.

	Boo lean	Bit strings				Integers							Real num- bers		Times, durations, dates, and text strings					
	BOOL	BYTE	WORD	DWORD	LWORD	USINT	UINT	UDINT	ULINT	SINT	INT	DINT	LINT	REAL	LREAL	TIME	DATE	TOD	DT	STRING
In										OK	OK	OK	OK							
Format	Refer to <i>Function</i> on page 2-268 for the enumerators of the enumerated type <code>_eBCD_FORMAT</code> .																			
Out	Must be same size of data type as <i>In</i>																			

## Function

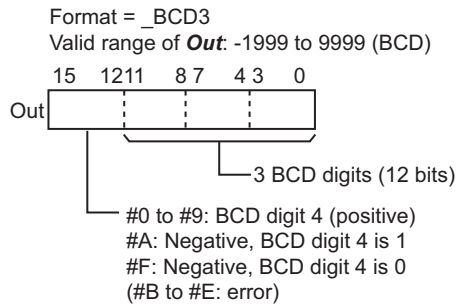
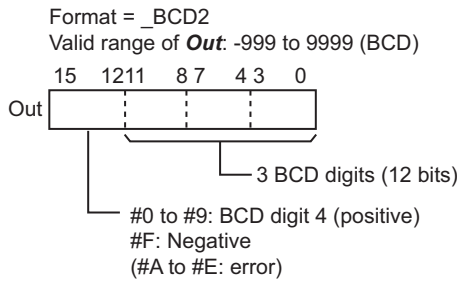
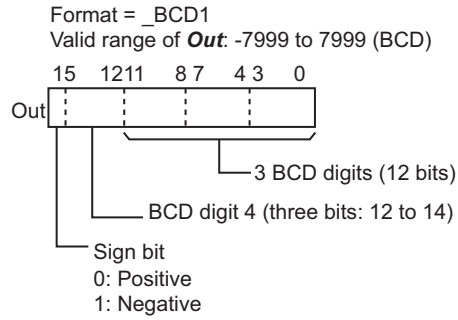
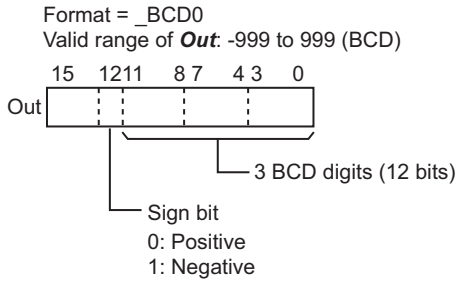
These instructions convert signed integer *In* to a signed BCD bit string.

The name of the instruction is determined by the data type of *Out*. For example, if *Out* is the WORD data type, the name of the instruction is BinToBCDs\_WORD.

The data type of data format number *Format* is enumerated type `_eBCD_FORMAT`.

Select one of the following: `_BCD0`, `_BCD1`, `_BCD2`, or `_BCD3`. The sign specification in the upper four bits of *Out* depends on the BCD format number.

The data format examples shown below use WORD data for *Out*.



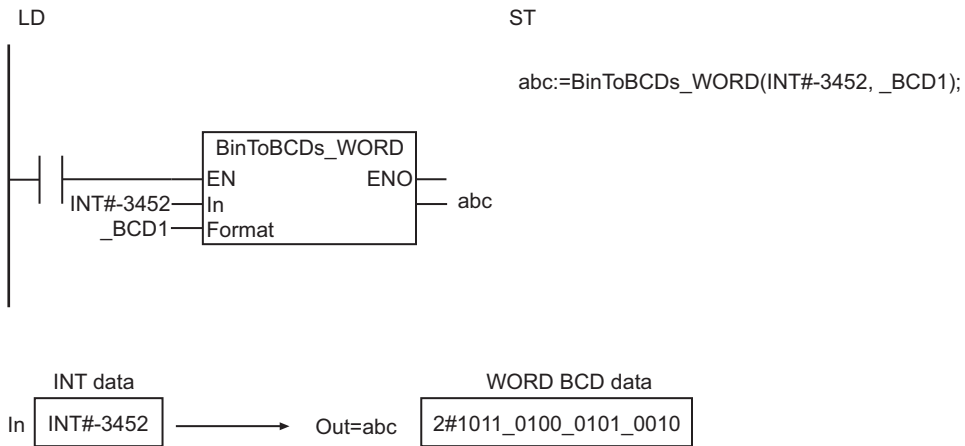
## Valid Range

The data types of *In* and *Out* should be of the same size. The valid ranges depend on the value of *Format*, as shown below.

		Value of <i>Format</i>			
		<code>_BCD0</code>	<code>_BCD1</code>	<code>_BCD2</code>	<code>_BCD3</code>
Data type of <i>In</i>	<code>SINT</code> ↓ <code>BYTE</code>	-9 to 9	-79 to 79	-9 to 99	-19 to 99
	<code>INT</code> ↓ <code>WORD</code>	-999 to 999	-7999 to 7999	-999 to 9999	-1999 to 9999
Data type of <i>Out</i>	<code>DINT</code> ↓ <code>DWORD</code>	-9999999 to 9999999	-79999999 to 79999999	-9999999 to 99999999	-19999999 to 99999999
	<code>LINT</code> ↓ <code>LWORD</code>	-9999999999999999 to 9999999999999999	-7999999999999999 to 7999999999999999	-9999999999999999 to 9999999999999999	-19999999999999999 to 9999999999999999

## Notation Example

The following example shows the `BinToBCDs_WORD` instruction when *In* is `INT#-3452` and *Format* is `_BCD1`.



### Precautions for Correct Use

- Always use the correct instruction name for the data type of *Out*.
- An error will occur in the following cases. *ENO* will be FALSE, and *Out* will not change.
  - a) The value of *In* is outside the valid range.
  - b) The value of *Format* is outside the valid range.



# AryToBCD

The AryToBCD instruction converts the elements of an unsigned integer array to BCD bit strings.

Instruction	Name	FB/ FUN	Graphic expression	ST expression
AryToBCD	Array BCD Conversion	FUN		AryToBCD(In, Size, AryOut);

## Variables

	Meaning	I/O	Description	Valid range	Unit	Default
In[] (array)	Unsigned integer array	Input	Unsigned integer array	*1	---	*2
Size	Number of elements		Number of elements of In[] for conversion	Depends on data type.		1
AryOut[] (array)	BCD array	In-out	BCD array	*1	---	---
Out	Return value	Output	Always TRUE	TRUE only	---	---

\*1. The valid ranges depend on the data types of the elements of In[] and AryOut[]. Refer to *Valid Range* on page 2-272 for details.

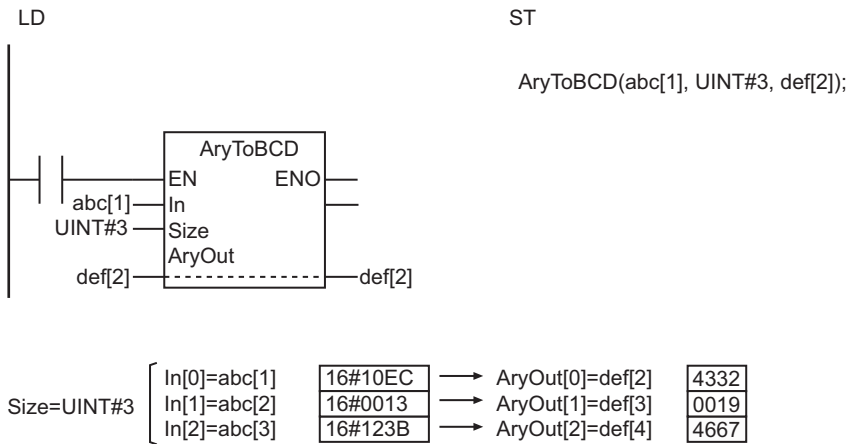
\*2. If you omit an input parameter, the default value is not applied. A building error will occur.

	Boo lean	Bit strings				Integers							Real num- bers		Times, durations, dates, and text strings					
	BOOL	BYTE	WORD	DWORD	LWORD	USINT	UINT	UDINT	ULINT	SINT	INT	DINT	LINT	REAL	LREAL	TIME	DATE	TOD	DT	STRING
In[] (array)						OK	OK	OK	OK											
Size							OK													
AryOut[] (array)	Must be a bit string array. The data type must be the same size as the elements of In[].																			
Out	OK																			

## Function

The AryToBCD instruction converts *Size* elements of unsigned integer array In[] starting from In[0] to a BCD bit string. It outputs the BCD bit string to BCD array AryOut[].

The following example is for when *Size* is UINT#3.



## Valid Range

The following table shows the valid ranges for In[] and AryOut[] according to the data types of their elements.

Data type of the elements of In[]	Data type of the elements of Ary-Out[]	Valid range of In[]	Valid range of AryOut[]
USINT	BYTE	0 to 99	16#00 to 16#99 (BCD)
UINT	WORD	0 to 9999	16#0000 to 16#9999 (BCD)
UDINT	DWORD	0 to 99999999	16#0000_0000 to 16#9999_9999 (BCD)
ULINT	LWORD	0 to 9999999999999999	16#0000_0000_0000_0000 to 16#9999_9999_9999_9999 (BCD)

## Precautions for Correct Use

- Use the same data type and size for In[] and AryOut[]. For example, if the elements of In[] are UINT data, use WORD as the data type of the elements of AryOut[]. Otherwise, a building error will occur.
- This instruction does not convert signed binary to signed BCD. Use an unsigned integer (USINT, UINT, UDINT, or ULINT) as the data type of In[].
- The values in AryOut[] do not change if the value of Size is 0.
- Return value Out is not used when this instruction is used in ST.
- An error will occur in the following cases. ENO will be FALSE, and AryOut[] will not change.
  - a) The value of In[] is outside the valid range.
  - b) The value of Size exceeds the array area of In[] or AryOut[].

# AryToBin

The AryToBin instruction converts the elements of an array of BCD bit strings into unsigned integers.

Instruction	Name	FB/ FUN	Graphic expression	ST expression
AryToBin	Array Unsigned Integer Conversion	FUN		AryToBin(In, Size, AryOut);

## Variables

	Meaning	I/O	Description	Valid range	Unit	Default
In[] (array)	Array of BCD bit strings	Input	Array of BCD bit strings	*1	---	*2
Size	Number of elements		Number of elements of In[] for conversion	Depends on data type.		1
AryOut[] (array)	Unsigned integer array	In-out	Unsigned integer array	*1	---	---
Out	Return value	Output	Always TRUE	TRUE only	---	---

\*1. The valid ranges depend on the data types of the elements of In[] and AryOut[]. Refer to *Valid Range* on page 2-274 for details.

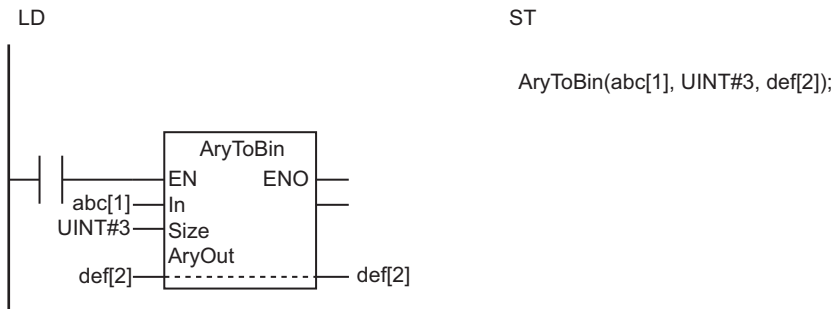
\*2. If you omit an input parameter, the default value is not applied. A building error will occur.

	Boo lean	Bit strings				Integers							Real num- bers		Times, durations, dates, and text strings					
	BOOL	BYTE	WORD	DWORD	LWORD	USINT	UINT	UDINT	ULINT	SINT	INT	DINT	LINT	REAL	LREAL	TIME	DATE	TOD	DT	STRING
In[] (array)		OK	OK	OK	OK															
Size							OK													
AryOut[] (array)	Must be an unsigned integer array. The data type must be the same size as the elements of In[].																			
Out	OK																			

## Function

The AryToBin instruction converts *Size* elements of array of BCD bit strings In[] starting from In[0] to unsigned integers. It outputs the unsigned integers to unsigned integer array AryOut[].

The following example is for when *Size* is UINT#3.



Size=UINT#3	In[0]=abc[1]	4332	→	AryOut[0]=def[2]	16#10EC
	In[1]=abc[2]	0019	→	AryOut[1]=def[3]	16#0013
	In[2]=abc[3]	4667	→	AryOut[2]=def[4]	16#123B

## Valid Range

The following table shows the valid ranges for In[] and AryOut[] according to the data types of their elements.

Data type of the elements of In[]	Data type of the elements of Ary-Out[]	Valid range of In[]	Valid range of AryOut[]
BYTE	USINT	16#00 to 16#99 (BCD)	0 to 99
WORD	UINT	16#0000 to 16#9999 (BCD)	0 to 9999
DWORD	UDINT	16#0000_0000 to 16#9999_9999 (BCD)	0 to 99999999
LWORD	ULINT	16#0000_0000_0000_0000 to 16#9999_9999_9999_9999 (BCD)	0 to 9999999999999999

## Precautions for Correct Use

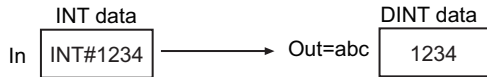
- Use the same data type and size for In[] and AryOut[]. For example, if the elements of In[] are WORD data, use UINT as the data type of the elements of AryOut[]. Otherwise, a building error will occur.
- This instruction does not convert signed BCD to signed binary. Use an unsigned integer (USINT, UINT, UDINT, or ULINT) as the data type of AryOut [].
- The values in AryOut[] do not change if the value of Size is 0.
- Return value Out is not used when this instruction is used in ST.
- An error will occur in the following cases. ENO will be FALSE, and AryOut[] will not change.
  - a) The value of Size exceeds the array area of In[] or AryOut[].
  - b) A value in In[] is not a BCD bit string (i.e., contains A, B, C, D, E, or F hexadecimal).

# Data Type Conversion Instructions

Instruction	Name	Page
**_TO_*** (Integer-to-Integer Conversion Group)	Integer-to-Integer Conversion Group	page 2-277
**_TO_*** (Integer-to-Bit String Conversion Group)	Integer-to-Bit String Conversion Group	page 2-280
**_TO_*** (Integer-to-Real Number Conversion Group)	Integer-to-Real Number Conversion Group	page 2-283
**_TO_*** (Bit String-to-Integer Conversion Group)	Bit String-to-Integer Conversion Group	page 2-286
**_TO_*** (Bit String-to-Bit String Conversion Group)	Bit String-to-Bit String Conversion Group	page 2-289
**_TO_*** (Bit String-to-Real Number Conversion Group)	Bit String-to-Real Number Conversion Group	page 2-291
**_TO_*** (Real Number-to-Integer Conversion Group)	Real Number-to-Integer Conversion Group	page 2-293
**_TO_*** (Real Number-to-Bit String Conversion Group)	Real Number-to-Bit String Conversion Group	page 2-296
**_TO_*** (Real Number-to-Real Number Conversion Group)	Real Number-to-Real Number Conversion Group	page 2-299
**_TO_STRING (Integer-to-Text String Conversion Group)	Integer-to-Text String Conversion Group	page 2-301
**_TO_STRING (Bit String-to-Text String Conversion Group)	Bit String-to-Text String Conversion Group	page 2-303
**_TO_STRING (Real Number-to-Text String Conversion Group)	Real Number-to-Text String Conversion Group	page 2-305
RealToFormatString	REAL-to-Formatted Text String	page 2-307
LrealToFormatString	LREAL-to-Formatted Text String	page 2-313
STRING_TO_** (Text String-to-Integer Conversion Group)	Text String-to-Integer Conversion Group	page 2-319
STRING_TO_** (Text String-to-Bit String Conversion Group)	Text String-to-Bit String Conversion Group	page 2-321

Instruction	Name	Page
STRING_TO_** (Text String-to-Real Number Conversion Group)	Text String-to-Real Number Conversion Group	page 2-323
TO_** (Integer Conversion Group)	Integer Conversion Group	page 2-327
TO_** (Bit String Conversion Group)	Bit String Conversion Group	page 2-329
TO_** (Real Number Conversion Group)	Real Number Conversion Group	page 2-331
EnumToNum	Enumeration-to-Integer	page 2-333
NumToEnum	Integer-to-Enumeration	page 2-335
TRUNC, Round, and RoundUp	Truncate/Round Off Real Number/Round Up Real Number	page 2-338





## Valid Range

The following table shows the valid ranges for *In* and *Out* according to their data types.

Data type of <i>In</i>	Data type of <i>Out</i>	Valid range for <i>In</i> and <i>Out</i>
USINT	UINT	0 to 255
	UDINT	
	ULINT	
	SINT	0 to 127
	INT	0 to 255
	DINT	
LINT		
UINT	USINT	0 to 255
	UDINT	0 to 65535
	ULINT	
	SINT	0 to 127
	INT	0 to 32767
	DINT	0 to 65535
LINT		
UDINT	USINT	0 to 255
	UINT	0 to 65535
	ULINT	0 to 4294967295
	SINT	0 to 127
	INT	0 to 32767
	DINT	0 to 2147483647
ULINT	LINT	0 to 4294967295
	USINT	0 to 255
	UINT	0 to 65535
	UDINT	0 to 4294967295
	SINT	0 to 127
	INT	0 to 32767
SINT	DINT	0 to 2147483647
	LINT	0 to 9223372036854775807
	USINT	0 to 127
	UINT	
	UDINT	
	ULINT	-128 to 127
INT		
DINT		
LINT		



Data type of <i>In</i>	Data type of <i>Out</i>	Valid range for <i>In</i> and <i>Out</i>
INT	USINT	0 to 255
	UINT	0 to 32767
	UDINT	
	ULINT	
	SINT	-128 to 127
	DINT	-32768 to 32767
	LINT	
DINT	USINT	0 to 255
	UINT	0 to 65535
	UDINT	0 to 2147483647
	ULINT	
	SINT	-128 to 127
	INT	-32768 to 32767
	LINT	-2147483648 to 2147483647
LINT	USINT	0 to 255
	UINT	0 to 65535
	UDINT	0 to 4294967295
	ULINT	0 to 9223372036854775807
	SINT	-128 to 127
	INT	-32768 to 32767
	DINT	-2147483648 to 2147483647

## Additional Information

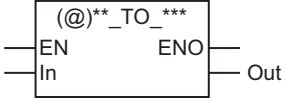
To convert data with any data type to integer data, use the instruction, *TO\_\*\** (*Integer Conversion Group*) on page 2-327.

## Precautions for Correct Use

- Always use the correct instruction name for the data types of *In* and *Out*.
- If *In* is a signed integer and the data size of *Out* is larger than the data size of *In*, sign extension is performed.
- If *In* is an unsigned integer and the data size of *Out* is larger than the data size of *In*, the upper digits of *Out* will contain 0.
- If the data size of *Out* is smaller than the data size of *In*, the upper digits will be truncated.

# \*\*\_TO\_\*\*\* (Integer-to-Bit String Conversion Group)

These instructions convert integers to bit strings.

Instruction	Name	FB/ FUN	Graphic expression	ST expression
**_TO_***	Integer-to-Bit String Conversion Group	FUN	 <p>*** must be an integer data type. **** must be a bit string data type.</p>	Out:=**_TO_*** (In); *** must be an integer data type. **** must be a bit string data type.

## Variables

	Meaning	I/O	Description	Valid range	Unit	Default
In	Data to convert	Input	Data to convert	*1	---	0
Out	Conversion result	Output	Conversion result	*1	---	---

\*1. The valid ranges depend on the data types of *In* and *Out*. Refer to *Valid Range* on page 2-281, below, for details.

	Boo lean	Bit strings				Integers							Real num- bers		Times, durations, dates, and text strings					
	BOOL	BYTE	WORD	DWORD	LWORD	USINT	UINT	UDINT	ULINT	SINT	INT	DINT	LINT	REAL	LREAL	TIME	DATE	TOD	DT	STRING
In						OK	OK	OK	OK	OK	OK	OK	OK *1							
Out		OK	OK *1	OK	OK															

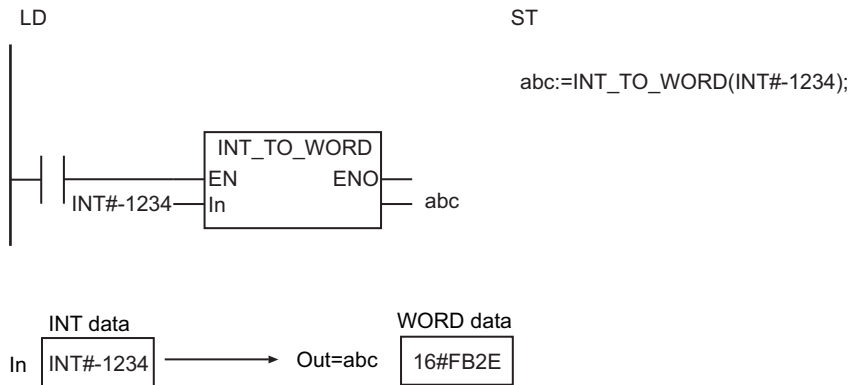
\*1. For an NX1P2 CPU Unit, a CPU Unit with unit version 1.14 or later and Sysmac Studio version 1.18 or higher are required to use the LINT\_TO\_WORD instruction.

## Function

These instructions convert an integer, *In*, to a bit string.

The name of the instruction is determined by the data types of *In* and conversion result *Out*. For example, if *In* is INT data and *Out* is WORD data, the name of the instruction is INT\_TO\_WORD.

The following example for the INT\_TO\_WORD instruction is for when *In* is INT#-1234.



## Valid Range

The following table shows the valid ranges for *In* and *Out* according to their data types.

Data type of <i>In</i>	Data type of <i>Out</i>	Valid range for <i>In</i>	Valid range for <i>Out</i>
USINT	BYTE	0 to 255	16#00 to 16#FF
	WORD		
	DWORD		
	LWORD		
UINT	BYTE	0 to 255	16#00 to 16#FF
	WORD	0 to 65535	16#0000 to 16#FFFF
	DWORD		
	LWORD		
UDINT	BYTE	0 to 255	16#00 to 16#FF
	WORD	0 to 65535	16#0000 to 16#FFFF
	DWORD	0 to 4294967295	16#0000_0000 to 16#FFFF_FFFF
	LWORD		
ULINT	BYTE	0 to 255	16#00 to 16#FF
	WORD	0 to 65535	16#0000 to 16#FFFF
	DWORD	0 to 4294967295	16#0000_0000 to 16#FFFF_FFFF
	LWORD	0 to 18446744073709551645	16#0000_0000_0000_0000 to 16#FFFF_FFFF_FFFF_FFFF
SINT	BYTE	-128 to 127	16#00 to 16#FF
	WORD		
	DWORD		
	LWORD		
INT	BYTE	-128 to 127	16#00 to 16#FF
	WORD	-32768 to 32767	16#0000 to 16#FFFF
	DWORD		
	LWORD		
DINT	BYTE	-128 to 127	16#00 to 16#FF
	WORD	-32768 to 32767	16#0000 to 16#FFFF
	DWORD	-2147483648 to 2147483647	16#0000_0000 to 16#FFFF_FFFF
	LWORD		

Data type of <i>In</i>	Data type of <i>Out</i>	Valid range for <i>In</i>	Valid range for <i>Out</i>
LINT	BYTE	-128 to 127	16#00 to 16#FF
	WORD	-32768 to 32767	16#0000 to 16#FFFF
	DWORD	-2147483648 to 2147483647	16#0000_0000 to 16#FFFF_FFFF
	LWORD	-9223372036854775808 to 9223372036854775807	16#0000_0000_0000_0000 to 16#FFFF_FFFF_FFFF_FFFF

## Additional Information

- To convert a bit string to an integer, use the instruction, **\*\*\_TO\_\*\*** (*Bit String-to-Integer Conversion Group*) on page 2-286.
- To convert data with any data type to a bit string, use the instruction, **TO\_\*\*** (*Bit String Conversion Group*) on page 2-329.

## Precautions for Correct Use

- Always use the correct instruction name for the data types of *In* and *Out*.
- If *In* is a signed integer and the data size of *Out* is larger than the data size of *In*, sign extension is performed.
- If *In* is an unsigned integer and the data size of *Out* is larger than the data size of *In*, the upper digits of *Out* will contain 0.
- If the data size of *Out* is smaller than the data size of *In*, the upper digits will be truncated.





## Valid Range

The following table shows the valid ranges for *In* and *Out* according to their data types.

Data type of <i>In</i>	Data type of <i>Out</i>	Valid range for <i>In</i>	Valid range for <i>Out</i>
USINT	REAL	0 to 255	0 to 2.55e+2
	LREAL		
UINT	REAL	0 to 65535	0 to 6.5535e+4
	LREAL		
UDINT	REAL	0 to 4294967295	0 to 4.294967e+9
	LREAL		0 to 4.294967295e+9
ULINT	REAL	0 to 18446744073709551615	0 to 1.844674e+19
	LREAL		0 to 1.84467440737095e+19
SINT	REAL	-128 to 127	-1.28e+2 to 1.27e+2
	LREAL		
INT	REAL	-32768 to 32767	-3.2768e+4 to 3.2767e+4
	LREAL		
DINT	REAL	-2147483648 to 2147483647	-2.147483e+9 to 2.147483e+9
	LREAL		-2.147483648e+9 to 2.147483647e+9
LINT	REAL	-9223372036854775808 to 9223372036854775807	-9.223372e+18 to 9.223372e+18
	LREAL		-9.22337203685477e+18 to 9.22337203685477e+18

## Additional Information

- To convert a real number to an integer, use the instruction, **\*\*\_TO\_\*\*** (*Real Number-to-Integer Conversion Group*) on page 2-293.
- To convert data with any data type to a real number, use the instruction, **TO\_\*\*** (*Real Number Conversion Group*) on page 2-331.

## Precautions for Correct Use

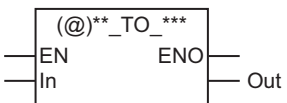
- Always use the correct instruction name for the data types of *In* and *Out*.
- Depending on the data types of *In* and *Out*, rounding will be performed for the effective digits of the real number. This may cause error between the values before and after conversion. The following table lists the data types that result in error.

Data type of <i>In</i>	Data type of <i>Out</i>	Values for which error occurs
DINT	REAL	-16777216 or lower, or 16777216 or higher
LINT		
UDINT	REAL	16777216 or higher
ULINT		
LINT	LREAL	-9007199254740992 or lower, or 9007199254740992 or higher

Data type of <i>In</i>	Data type of <i>Out</i>	Values for which error occurs
ULINT	LREAL	9007199254740992 or higher

# \*\*\_TO\_\*\*\* (Bit String-to-Integer Conversion Group)

These instructions convert bit strings to integers.

Instruction	Name	FB/ FUN	Graphic expression	ST expression
**_TO_***	Bit String-to-Integer Conversion Group	FUN	 <p>*** must be a bit string data type. ***** must be an integer data type.</p>	Out:=**_TO_*** (In); ***** must be a bit string data type. ***** must be an integer data type.

## Variables

	Meaning	I/O	Description	Valid range	Unit	Default
In	Data to convert	Input	Data to convert	*1	---	0
Out	Conversion result	Output	Conversion result	*1	---	---

\*1. The valid ranges depend on the data types of *In* and *Out*. Refer to *Valid Range* on page 2-287, below, for details.

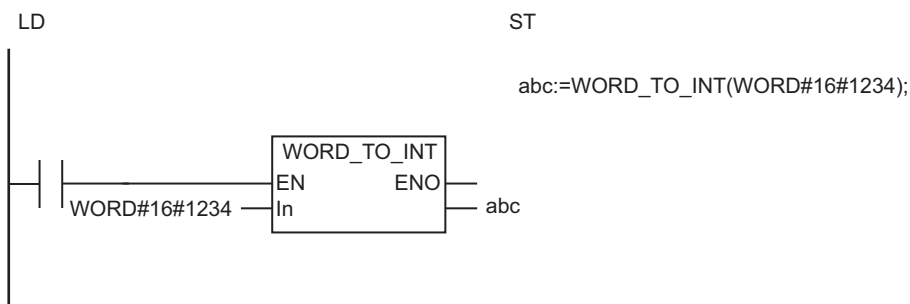
	Boo lean	Bit strings					Integers							Real num- bers		Times, durations, dates, and text strings				
	BOOL	BYTE	WORD	DWORD	LWORD	USINT	UINT	UDINT	ULINT	SINT	INT	DINT	LINT	REAL	LREAL	TIME	DATE	TOD	DT	STRING
In		OK	OK	OK	OK															
Out						OK	OK	OK	OK	OK	OK	OK								

## Function

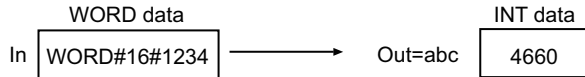
These instructions convert a bit string, *In*, to an integer.

The name of the instruction is determined by the data types of *In* and conversion result *Out*. For example, if *In* is WORD data and *Out* is INT data, the name of the instruction is WORD\_TO\_INT.

The following example for the WORD\_TO\_INT instruction is for when *In* is WORD #16#1234.







## Valid Range

The following table shows the valid ranges for *In* and *Out* according to their data types.

Data type of <i>In</i>	Data type of <i>Out</i>	Valid range for <i>In</i>	Valid range for <i>Out</i>
BYTE	USINT	16#00 to 16#FF	0 to 255
	UINT		
	UDINT		
	ULINT		
	SINT		-128 to 127
	INT		
	DINT		
	LINT		
WORD	USINT	16#00 to 16#FF	0 to 255
	UINT	16#0000 to 16#FFFF	0 to 65535
	UDINT		
	ULINT	16#00 to 16#FF	-128 to 127
	SINT	16#0000 to 16#FFFF	-32768 to 32767
	INT		
	DINT		
	LINT		
DWORD	USINT	16#00 to 16#FF	0 to 255
	UINT	16#0000 to 16#FFFF	0 to 65535
	UDINT	16#0000_0000 to 16#FFFF_FFFF	0 to 4294967295
	ULINT		
	SINT	16#00 to 16#FF	-128 to 127
	INT	16#0000 to 16#FFFF	-32768 to 32767
	DINT	16#0000_0000 to 16#FFFF_FFFF	-2147483648 to 2147483647
	LINT		
LWORD	USINT	16#00 to 16#FF	0 to 255
	UINT	16#0000 to 16#FFFF	0 to 65535
	UDINT	16#0000_0000 to 16#FFFF_FFFF	0 to 4294967295
	ULINT	16#0000_0000_0000_0000 to 16#FFFF_FFFF_FFFF_FFFF	0 to 18446744073709551645
	SINT	16#00 to 16#FF	-128 to 127
	INT	16#0000 to 16#FFFF	-32768 to 32767
	DINT	16#0000_0000 to 16#FFFF_FFFF	-2147483648 to 2147483647
	LINT	16#0000_0000_0000_0000 to 16#FFFF_FFFF_FFFF_FFFF	-9223372036854775808 to 9223372036854775807

### Additional Information

- To convert an integer to a bit string, use the instruction, **\*\*\_TO\_\*\*** (*Integer-to-Bit String Conversion Group*) on page 2-280.
- To convert data with any data type to a bit string, use the instruction, **TO\_\*\*** (*Bit String Conversion Group*) on page 2-329.

### Precautions for Correct Use

- Always use the correct instruction name for the data types of *In* and *Out*.
- If the data size of *Out* is larger than the data size of *In*, the upper digits of *Out* will contain 0.
- If the data size of *Out* is smaller than the data size of *In*, the upper digits are truncated.

# \*\*\_TO\_\*\* (Bit String-to-Bit String Conversion Group)

These instructions convert bit strings to bit strings with different data types.

Instruction	Name	FB/ FUN	Graphic expression	ST expression
**_TO_**	Bit String-to-Bit String Conversion Group	FUN	<p>*** and **** must be different bit string data types.</p>	Out:=**_TO_** (In);  *** and **** must be different bit string data types.

## Variables

	Meaning	I/O	Description	Valid range	Unit	Default
In	Data to convert	Input	Data to convert	*1	---	0
Out	Conversion result	Output	Conversion result	*1	---	---

\*1. The valid ranges depend on the data types of *In* and *Out*. Refer to *Valid Range* on page 2-290, below, for details.

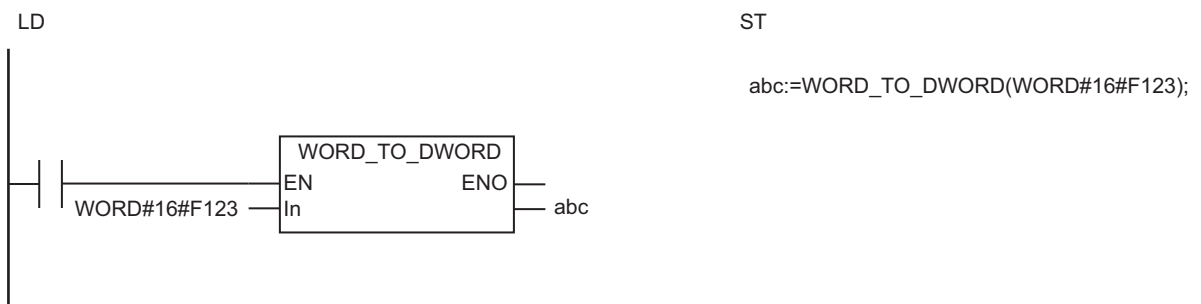
	Boo lean	Bit strings					Integers							Real num bers		Times, durations, dates, and text strings				
	BOOL	BYTE	WORD	DWORD	LWORD	USINT	UINT	UDINT	ULINT	SINT	INT	DINT	LINT	REAL	LREAL	TIME	DATE	TOD	DT	STRING
In		OK	OK	OK	OK															
Out		OK	OK	OK	OK															

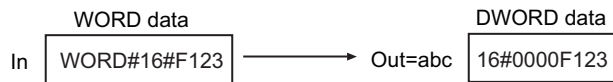
## Function

These instructions convert a bit string, *In*, to a bit string with a different data type.

The name of the instruction is determined by the data types of *In* and conversion result *Out*. For example, if *In* is WORD data and *Out* is DWORD data, the name of the instruction is WORD\_TO\_DWORD.

The following example for the WORD\_TO\_DWORD instruction is for when *In* is WORD#16#F123.





## Valid Range

The following table shows the valid ranges for *In* and *Out* according to their data types.

Data type of <i>In</i>	Data type of <i>Out</i>	Valid range for <i>In</i> and <i>Out</i>
BYTE	WORD	16#00 to 16#FF
	DWORD	
	LWORD	
WORD	BYTE	16#00 to 16#FF
	DWORD	16#0000 to 16#FFFF
	LWORD	
DWORD	BYTE	16#00 to 16#FF
	WORD	16#0000 to 16#FFFF
	LWORD	16#0000_0000 to 16#FFFF_FFFF
LWORD	BYTE	16#00 to 16#FF
	WORD	16#0000 to 16#FFFF
	DWORD	16#0000_0000 to 16#FFFF_FFFF

## Additional Information

To convert data with any data type to a bit string, use the instruction, *TO\_\*\** (*Bit String Conversion Group*) on page 2-329.

## Precautions for Correct Use

- Always use the correct instruction name for the data types of *In* and *Out*.
- If the data size of *Out* is larger than the data size of *In*, the upper digits of *Out* will contain 0.
- If the data size of *Out* is smaller than the data size of *In*, the upper digits are truncated.

# \*\*\_TO\_\*\*\* (Bit String-to-Real Number Conversion Group)

These instructions convert bit strings to real numbers.

Instruction	Name	FB/FUN	Graphic expression	ST expression
**_TO_***	Bit String-to-Real Number Conversion Group	FUN	<p>*** must be a bit string data type. ***** must be a real number data type.</p>	Out:=**_TO_*** (In); ***** must be a bit string data type. ***** must be a real number data type.

## Variables

	Meaning	I/O	Description	Valid range	Unit	Default
In	Data to convert	Input	Data to convert	*1	---	0
Out	Conversion result	Output	Conversion result	*1	---	---

\*1. The valid ranges depend on the data types of *In* and *Out*. Refer to *Valid Range* on page 2-292, below, for details.

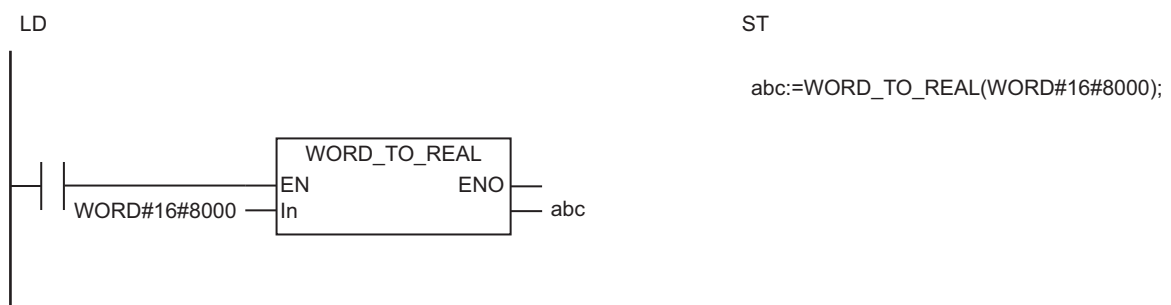
	Boolean	Bit strings					Integers							Real numbers		Times, durations, dates, and text strings				
	BOOL	BYTE	WORD	DWORD	LWORD	USINT	UINT	UDINT	ULINT	SINT	INT	DINT	LINT	REAL	LREAL	TIME	DATE	TOD	DT	STRING
In		OK	OK	OK	OK															
Out														OK	OK					

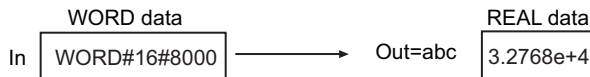
## Function

These instructions take a bit string, *In*, as an unsigned integer of the same size and convert it to a real number.

The name of the instruction is determined by the data types of *In* and conversion result *Out*. For example, if *In* is WORD data and *Out* is REAL data, the name of the instruction is WORD\_TO\_REAL.

The following example for the WORD\_TO\_REAL instruction is for when *In* is WORD#16#8000.





## Valid Range

The following table shows the valid ranges for *In* and *Out* according to their data types.

Data type of <i>In</i>	Data type of <i>Out</i>	Valid range for <i>In</i>	Valid range for <i>Out</i>
BYTE	REAL	16#00 to 16#FF	0 to 2.55e+2
	LREAL		
WORD	REAL	16#0000 to 16#FFFF	0 to 6.5535e+4
	LREAL		
DWORD	REAL	16#0000_0000 to 16#FFFF_FFFF	0 to 4.294967e+9
	LREAL		0 to 4.294967295e+9
LWORD	REAL	16#0000_0000_0000_0000 to 16#FFFF_FFFF_FFFF_FFFF	0 to 1.844674e+19
	LREAL		0 to 1.84467440737095e+19

## Additional Information

- To convert a real number to a bit string, use the instruction, **\*\*\_TO\_\*\*\*** (*Real Number-to-Bit String Conversion Group*) on page 2-296.
- To convert data with any data type to a real number, use the instruction, **TO\_\*\*** (*Real Number Conversion Group*) on page 2-331.

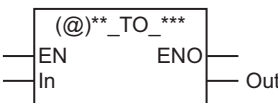
## Precautions for Correct Use

- Always use the correct instruction name for the data types of *In* and *Out*.
- Depending on the data types of *In* and *Out*, rounding will be performed for the effective digits of the real number. This may cause error between the values before and after conversion. The following table lists the data types that result in error.

Data type of <i>In</i>	Data type of <i>Out</i>	Values for which error occurs
DWORD	REAL	16#0100_0000 or higher
LWORD	LREAL	16#0002_0000_0000_0000 or higher

# \*\*\_TO\_\*\*\* (Real Number-to-Integer Conversion Group)

These instructions convert real numbers to integers.

Instruction	Name	FB/ FUN	Graphic expression	ST expression
**_TO_***	Real Number-to-Integer Conversion Group	FUN	 <p>*** must be a real number data type. **** must be an integer data type.</p>	Out:=**_TO_*** (In);  *** must be a real number data type. **** must be an integer data type.

## Variables

	Meaning	I/O	Description	Valid range	Unit	Default
In	Data to convert	Input	Data to convert	*1	---	0
Out	Conversion result	Output	Conversion result	*1	---	---

\*1. The valid ranges depend on the data types of *In* and *Out*. Refer to *Valid Range* on page 2-294, below, for details.

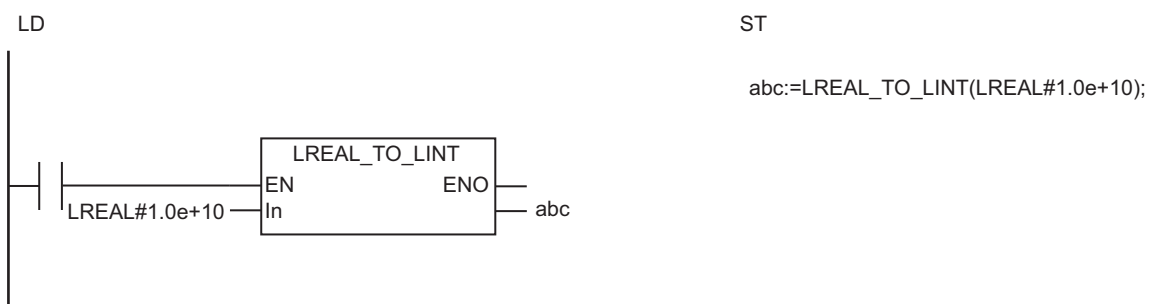
	Boo lean	Bit strings					Integers							Real num bers		Times, durations, dates, and text strings				
	BOOL	BYTE	WORD	DWORD	LWORD	USINT	UINT	UDINT	ULINT	SINT	INT	DINT	LINT	REAL	LREAL	TIME	DATE	TOD	DT	STRING
In														OK	OK					
Out						OK	OK	OK	OK	OK	OK	OK	OK							

## Function

These instructions convert a real number, *In*, to an integer.

The name of the instruction is determined by the data types of *In* and conversion result *Out*. For example, if *In* is LREAL data and *Out* is LINT data, the name of the instruction is LREAL\_TO\_LINT.

The following example for the LREAL\_TO\_LINT instruction is for when *In* is LREAL#1.0e+10.





## Fractional Part of the Value of *In*

The fractional part of the value of *In* is rounded off to the closest integer. The following table shows how values are rounded.

Value of fractional part	Description	Examples
Less than 0.5	The fractional part is truncated.	1.49 → 1 -1.49 → -1
0.5	If the ones digit is an even number, the fractional part is truncated. If it is an odd number, the value is rounded up.	1.50 → 2 2.50 → 2 -1.50 → -2 -2.50 → -2
Greater than 0.5	The fractional part is rounded up.	1.51 → 2 -1.51 → -2

## Valid Range

The following table shows the valid ranges for *In* and *Out* according to their data types.

Data type of <i>In</i>	Data type of <i>Out</i>	Valid range for <i>In</i>	Valid range for <i>Out</i>
REAL	USINT	0 to 2.55e+2	0 to 255
	UINT	0 to 6.5535e+4	0 to 65535
	UDINT	0 to 4.294967e+9	0 to 4294967295
	ULINT	0 to 1.844674e+19	0 to 18446744073709551615
	SINT	-1.28e+2 to 1.27e+2	-128 to 127
	INT	-3.2768e+4 to 3.2767e+4	-32768 to 32767
	DINT	-2.147483e+9 to 2.147483e+9	-2147483648 to 2147483647
	LINT	-9.223372e+18 to 9.223372e+18	-9223372036854775808 to 9223372036854775807
LREAL	USINT	0 to 2.55e+2	0 to 255
	UINT	0 to 6.5535e+4	0 to 65535
	UDINT	0 to 4.294967295e+9	0 to 4294967295
	ULINT	0 to 1.84467440737095e+19	0 to 18446744073709551615
	SINT	-1.28e+2 to 1.27e+2	-128 to 127
	INT	-3.2768e+4 to 3.2767e+4	-32768 to 32767
	DINT	-2.147483648e+9 to 2.147483647e+9	-2147483648 to 2147483647
	LINT	-9.22337203685477e+18 to 9.22337203685477e+18	-9223372036854775808 to 9223372036854775807

## Additional Information

- To convert an integer to a real number, use the instruction, **\*\*\_TO\_\*\*** (*Integer-to-Real Number Conversion Group*) on page 2-283.



- To convert data with any data type to integer data, use the instruction, *TO\_\*\** (*Integer Conversion Group*) on page 2-327.
- You can use the following instructions to convert a real number to an integer: TRUNC (Truncate), Round (Round Off Real Number), and RoundUp (Round Up Real Number). All of these instructions have a REAL input and DINT output, or a LREAL input and LINT output. The differences between these instructions are shown in the following table.

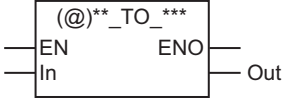
Input value	Output value			
	REAL_TO_INT	TRUNC	Round	RoundUp
REAL#1.6	INT#2	DINT#1	DINT#2	DINT#2
REAL#1.5	INT#2	DINT#1	DINT#2	DINT#2
REAL#1.5	INT#1	DINT#1	DINT#1	DINT#2
REAL#2.5	INT#2	DINT#2	DINT#2	DINT#3
REAL#-1.6	INT#-2	DINT#-1	DINT#-2	DINT#-2
REAL#-1.5	INT#-2	DINT#-1	DINT#-2	DINT#-2
REAL#-1.4	INT#-1	DINT#-1	DINT#-1	DINT#-2
REAL#-2.5	INT#-2	DINT#-2	DINT#-2	DINT#-3

## Precautions for Correct Use

- Always use the correct instruction name for the data types of *In* and *Out*.
- If the conversion result exceeds the valid range of *Out*, *Out* will contain an undefined value. Always make sure that the value of *In* is within the valid range so that the conversion result will not exceed the valid range of *Out*.

# \*\*\_TO\_\*\*\* (Real Number-to-Bit String Conversion Group)

These instructions convert real numbers to bit strings.

Instruction	Name	FB/ FUN	Graphic expression	ST expression
**_TO_***	Real Number-to-Bit String Conversion Group	FUN	 <p>*** must be a real number data type. ***** must be a bit string data type.</p>	Out:=**_TO_*** (In);  *** must be a real number data type. ***** must be a bit string data type.

## Variables

	Meaning	I/O	Description	Valid range	Unit	Default
In	Data to convert	Input	Data to convert	Depends on data type.	---	0
Out	Conversion result	Output	Conversion result	Depends on data type.	---	---

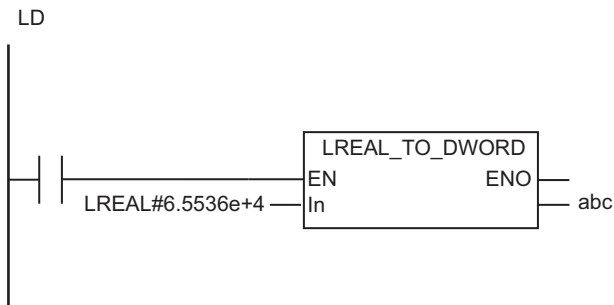
	Boo lean	Bit strings					Integers							Real num- bers		Times, durations, dates, and text strings				
	BOOL	BYTE	WORD	DWORD	LWORD	USINT	UINT	UDINT	ULINT	SINT	INT	DINT	LINT	REAL	LREAL	TIME	DATE	TOD	DT	STRING
In														OK	OK					
Out		OK	OK	OK	OK															

## Function

These instructions convert a real number, *In*, to a bit string.

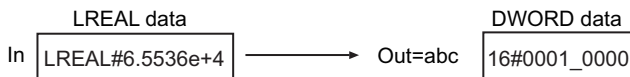
The name of the instruction is determined by the data types of *In* and conversion output *Out*. For example, if *In* is LREAL data and *Out* is DWORD data, the name of the instruction is LREAL\_TO\_DWORD.

The following example for the LREAL\_TO\_DWORD instruction is for when *In* is LREAL#6.5536e+4.



ST

abc:=LREAL\_TO\_DWORD(LREAL#6.5536e+4);



The following table gives some conversion examples.

Value of <i>In</i>	Integer	Value of <i>Out</i>
1.6	2	16#0002
3.5	4	16#0004

## Conversion Procedure

Conversion is performed using the following procedure.

- 1** The value of *In* is rounded off to the closest integer as described below.
- 2** The resulting integer is taken as an unsigned integer and output as a bit string.

## Rounding Off

The following table shows how values are rounded.

Value of fractional part	Description	Examples
Less than 0.5	The fractional part is truncated.	1.49 → 1
0.5	If the ones digit is an even number, the fractional part is truncated. If it is an odd number, the value is rounded up.	1.50 → 2 2.50 → 2
Greater than 0.5	The fractional part is rounded up.	1.51 → 2

## Additional Information

To convert a bit string to a real number, use the instruction, **\*\*\_TO\_\*\*\*** (*Bit String-to-Real Number Conversion Group*) on page 2-291.

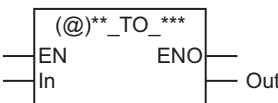
## Precautions for Correct Use

- Always use the correct instruction name for the data types of *In* and *Out*.
- If the conversion result exceeds the valid range of *Out*, *Out* will contain an undefined value. Always make sure that the value of *In* is within the valid range so that the conversion result will not exceed the valid range of *Out*.

- When you input a negative value, the conversion result depends on the CPU Unit model. If you input a negative value, sufficiently debug before use.

# \*\*\_TO\_\*\*\* (Real Number-to-Real Number Conversion Group)

These instructions convert real numbers to real numbers with different data types.

Instruction	Name	FB/ FUN	Graphic expression	ST expression
**_TO_***	Real Number-to-Real Number Conversion Group	FUN	 <p>*** and **** must be different real number data types.</p>	Out:=**_TO_*** (In);  **** and **** must be different real number data types.

## Variables

	Meaning	I/O	Description	Valid range	Unit	Default
In	Data to convert	Input	Data to convert	*1	---	0
Out	Conversion result	Output	Conversion result	*1	---	---

\*1. The valid ranges depend on the data types of *In* and *Out*. Refer to *Valid Range* on page 2-300, below, for details.

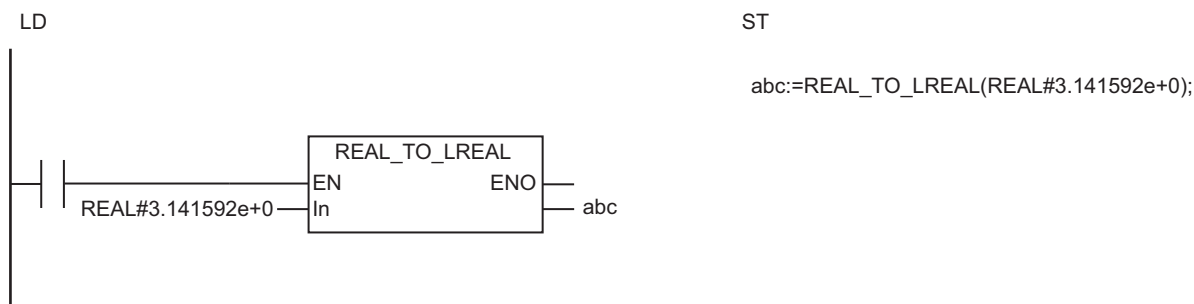
	Boo lean	Bit strings					Integers							Real num bers		Times, durations, dates, and text strings				
	BOOL	BYTE	WORD	DWORD	LWORD	USINT	UINT	UDINT	ULINT	SINT	INT	DINT	LINT	REAL	LREAL	TIME	DATE	TOD	DT	STRING
In														OK	OK					
Out														OK	OK					

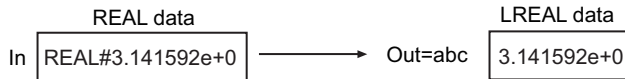
## Function

These instructions convert a real number, *In*, to a real number with a different data type.

The name of the instruction is determined by the data types of *In* and conversion result *Out*. For example, if *In* is REAL data and *Out* is LREAL data, the name of the instruction is REAL\_TO\_LREAL.

The following example for the REAL\_TO\_LREAL instruction is for when *In* is REAL#3.141592e+0.





## Valid Range

The following table shows the valid ranges for *In* and *Out* according to their data types.

Data type of <i>In</i>	Data type of <i>Out</i>	Valid range for <i>In</i> and <i>Out</i>
REAL	LREAL	-3.402823e+38 to 3.402823e+38
LREAL	REAL	or $+\infty/-\infty$

## Additional Information

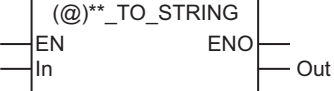
To convert data with any data type to a real number, use the instruction, *TO\_\*\** (*Real Number Conversion Group*) on page 2-331.

## Precautions for Correct Use

- Always use the correct instruction name for the data types of *In* and *Out*.
- If the value of *In* is positive or negative infinity, the value of *Out* is positive or negative infinity.
- If the value of *In* is nonnumeric data, the value of *Out* is nonnumeric data.
- If the conversion result exceeds the valid range of *Out*, the value of *Out* will be infinity with the same sign as the value of *In*.
- For the LREAL\_TO\_REAL instruction, if the value of *In* is closer to 0 than  $\pm 1.175494e-38$ , the value of *Out* will be 0.

# \*\*\_TO\_STRING (Integer-to-Text String Conversion Group)

These instructions convert integers to text strings.

Instruction	Name	FB/ FUN	Graphic expression	ST expression
**_TO_STRIN G	Integer-to-Text String Conver- sion Group	FUN	 <p>**** must be an integer data type.</p>	Out:=**_TO_STRING(In);  **** must be an integer data type.

## Variables

	Meaning	I/O	Description	Valid range	Unit	Default
In	Data to convert	Input	Data to convert	Depends on data type.	---	0
Out	Conversion result	Output	Conversion result	*1	---	---

\*1. The valid range depends on the data type of *In*. Refer to *Valid Range* on page 2-302 for details.

	Boo lean	Bit strings					Integers							Real num- bers		Times, durations, dates, and text strings				
	BOOL	BYTE	WORD	DWORD	LWORD	USINT	UINT	UDINT	ULINT	SINT	INT	DINT	LINT	REAL	LREAL	TIME	DATE	TOD	DT	STRING
In						OK	OK	OK	OK	OK	OK	OK	OK							
Out																				OK

## Function

These instructions convert an integer, *In*, to a text string.

The number given in *In* is output to conversion result *Out* as a text string. A NULL character (16#00) is placed at the end of *Out*.

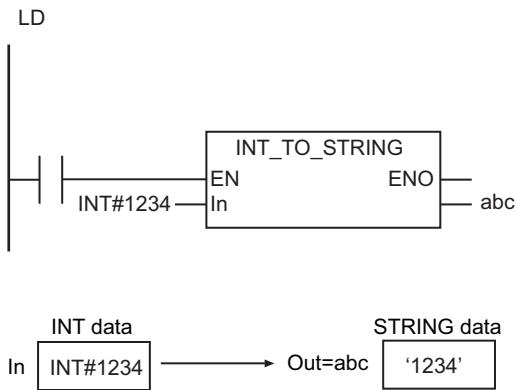
The text in *Out* is left-aligned.

If the number of significant digits in *In* is less than the digits provided by the data type of *In*, its leading zeros will not be output to *Out*. In other words, leading zeros are suppressed.

If *In* contains a negative value, a minus sign (-) is added to the front of the text string.

The name of the instruction is determined by the data type of *In*. For example, if *In* is the INT data type, the instruction is INT\_TO\_STRING.

The following example for the INT\_TO\_STRING instruction is for when *In* is INT#1234.



ST

```
abc:=INT_TO_STRING(INT#1234);
```

## Valid Range

The valid range of *Out* depends on the data type of *In* as shown below:

Data type of <i>In</i>	Valid range of <i>Out</i> (maximum number of bytes)
USINT	4 bytes (3 single-byte alphanumeric characters plus the final NULL character)
UINT	6 bytes (5 single-byte alphanumeric characters plus the final NULL character)
UDINT	11 bytes (10 single-byte alphanumeric characters plus the final NULL character)
ULINT	21 bytes (20 single-byte alphanumeric characters plus the final NULL character)
SINT	5 bytes (4 single-byte alphanumeric characters plus the final NULL character)
INT	7 bytes (6 single-byte alphanumeric characters plus the final NULL character)
DINT	12 bytes (11 single-byte alphanumeric characters plus the final NULL character)
LINT	21 bytes (20 single-byte alphanumeric characters plus the final NULL character)

## Additional Information

To convert a text string number to an integer, use the instruction, *STRING\_TO\_\*\** (*Text String-to-Integer Conversion Group*) on page 2-319.

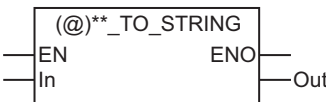
## Precautions for Correct Use

Always use the correct instruction name for the data type of *In*.



# \*\*\_TO\_STRING (Bit String-to-Text String Conversion Group)

These instructions convert bit strings to text strings.

Instruction	Name	FB/ FUN	Graphic expression	ST expression
**_TO_STRIN G	Bit String-to- Text String Con- version Group	FUN	 <p>*** must be a bit string data type.</p>	Out:=**_TO_STRING(In);  "" must be a bit string data type.

## Variables

	Meaning	I/O	Description	Valid range	Unit	Default
In	Data to convert	Input	Data to convert	Depends on data type.	---	0
Out	Conversion result	Output	Conversion result	*1	---	---

\*1. The valid range depends on the data type of *In*. Refer to *Valid Range* on page 2-304 for details.

	Boo lean	Bit strings				Integers							Real num- bers		Times, durations, dates, and text strings					
	BOOL	BYTE	WORD	DWORD	LWORD	USINT	UINT	UDINT	ULINT	SINT	INT	DINT	LINT	REAL	LREAL	TIME	DATE	TOD	DT	STRING
In		OK	OK	OK	OK															
Out																				OK

## Function

These instructions convert a bit string, *In*, to a text string.

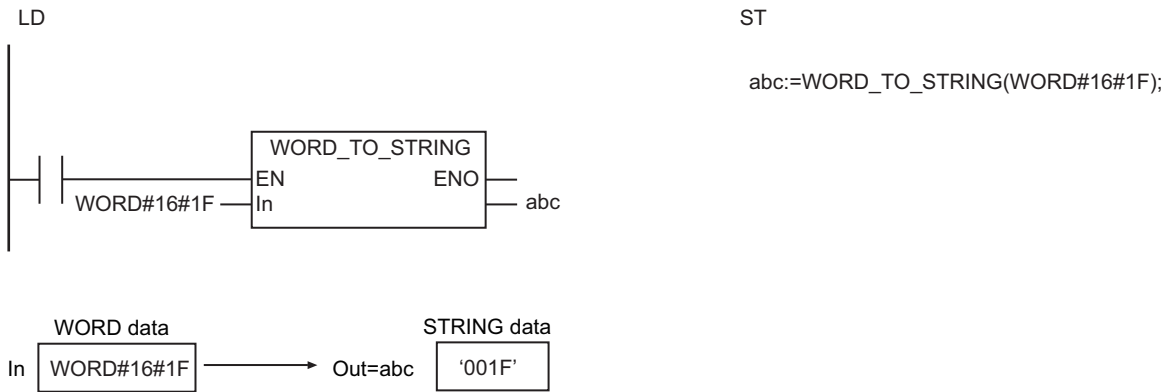
The hexadecimal number given in *In* is output to conversion result *Out* as a text string. The "#16" prefix of the hexadecimal number is not output to *Out*. A NULL character (16#00) is placed at the end of *Out*.

The text in *Out* is left-aligned.

If the value in *In* requires fewer digits than provided by the data type of *In*, the upper digits of *Out* will contain "0". In other words, the unused digits are padded with zeros. The number of bytes in *Out* (including the NULL character) will always be one greater than twice the number of bytes in *In*.

The name of the instruction is determined by the data type of *In*. For example, if *In* is the WORD data type, the instruction is WORD\_TO\_STRING.

The following example for the WORD\_TO\_STRING instruction is for when *In* is WORD#16#1F.



## Valid Range

The valid range of *Out* depends on the data type of *In* as shown below:

Data type of <i>In</i>	Valid range of <i>Out</i> (maximum number of bytes)
BYTE	3 bytes (2 single-byte alphanumeric characters plus the final NULL character)
WORD	5 bytes (4 single-byte alphanumeric characters plus the final NULL character)
DWORD	9 bytes (8 single-byte alphanumeric characters plus the final NULL character)
LWORD	17 bytes (16 single-byte alphanumeric characters plus the final NULL character)

## Additional Information

To convert *In* to a signed text string, first convert it to a signed integer using the instruction, **\*\*\_TO\_\*\*\*** (*Bit String-to-Integer Conversion Group*) on page 2-286, and then use the instruction, **\*\*\_TO\_STRING** (*Integer-to-Text String Conversion Group*) on page 2-301.

## Precautions for Correct Use

Always use the correct instruction name for the data type of *In*.

# \*\*\_TO\_STRING (Real Number-to-Text String Conversion Group)

These instructions convert real numbers to text strings.

Instruction	Name	FB/ FUN	Graphic expression	ST expression
**_TO_STRIN G	Real Number-to-Text String Conversion Group	FUN	<p>*** must be a real number data type.</p>	Out:=**_TO_STRING(In); *** must be a real number data type.

## Variables

	Meaning	I/O	Description	Valid range	Unit	Default
In	Data to convert	Input	Data to convert	Depends on data type.	---	0.0
Out	Conversion result	Output	Conversion result	*1	---	---

\*1. The valid range depends on the data type of *In*. Refer to *Valid Range* on page 2-306 for details.

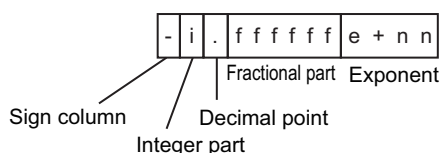
	Boo lean	Bit strings					Integers							Real num bers		Times, durations, dates, and text strings				
	BOOL	BYTE	WORD	DWORD	LWORD	USINT	UINT	UDINT	ULINT	SINT	INT	DINT	LINT	REAL	LREAL	TIME	DATE	TOD	DT	STRING
In														OK	OK					
Out																				OK

## Function

These instructions convert a real number, *In*, to a text string.

*In* is expressed as an alphanumeric text string and output to conversion result *Out*.

The format of *Out* is as follows:



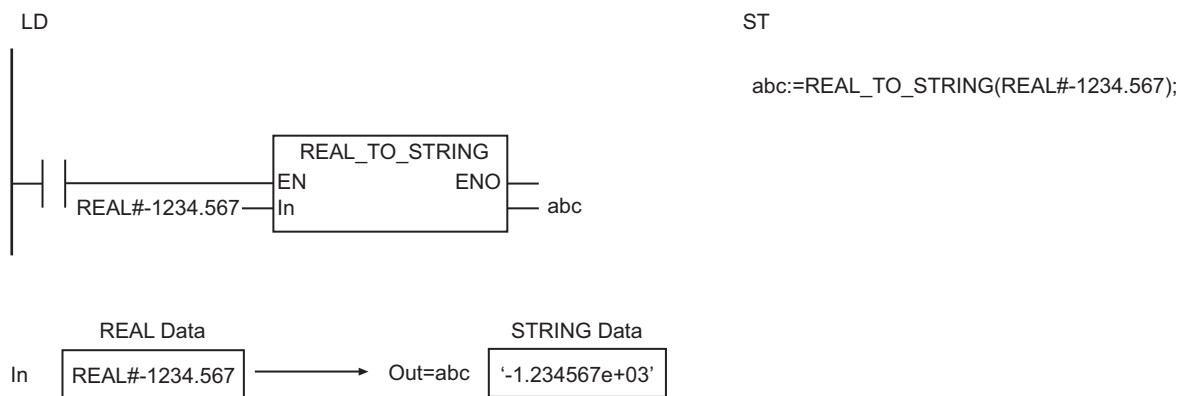
Item	Description
Sign column	If <i>In</i> contains a negative value, a minus sign (-) is added. If <i>In</i> contains a positive value, a plus sign (+) is not added.
Integer part	The integer part is always only one digit.
Decimal point	The decimal point is always given even if <i>In</i> is not a decimal number.

Item	Description
Fractional part	If <i>In</i> is REAL data, 6 digits are given, and If it is LREAL data, 14 digits are given.
Exponent	The exponent is always given. "nn" is 2 or 3 digits. The sign of "nn" is positive (+) if the absolute value of <i>In</i> is 1.0 or higher and negative (-) if it is less than 1.0.

A NULL character (16#00) is placed at the end of *Out*.

The name of the instruction is determined by the data type of *In*. For example, if *In* is the REAL data type, the instruction is REAL\_TO\_STRING.

The following example shows the REAL\_TO\_STRING instruction when *In* is REAL#-1234.567.



## Valid Range

If the value of *In* is 0, infinity, or nonnumeric data, the value of *Out* is as shown below.

Value of <i>In</i>	Value of <i>Out</i>
0	'0'
+∞	'inf'
-∞	'-inf'
Nonnumeric data	'nan' or '-nan'

## Additional Information

- To convert a text string to a real number, use the instruction, *STRING\_TO\_\*\** (*Text String-to-Real Number Conversion Group*) on page 2-323.
- To specify the format when you convert a real number to a text string, use the instruction, *RealToFormatString* on page 2-307 or *LrealToFormatString* on page 2-313.

## Precautions for Correct Use

Always use the correct instruction name for the data type of *In*.

# RealToFormatString

The RealToFormatString instruction converts a REAL variable to a text string with the specified format.

Instruction	Name	FB/ FUN	Graphic expression	ST expression
RealToFormatString	REAL-to-Formatted Text String	FUN		Out:=RealToFormatString(In, Exponent, Sign, MinLen, DecPlace);

## Variables

	Meaning	I/O	Description	Valid range	Unit	Default
In	Data to convert	Input	Data to convert	Depends on data type.	---	0.0
Exponent	Exponent		TRUE: Exponent FALSE: No exponent			FALSE
Sign	Sign column		TRUE: Sign column FALSE: No sign column			
MinLen	Minimum number of digits		Minimum number of digits in <i>Out</i>			6
DecPlace	Precision		Number of decimal digits in <i>Out</i>			
Out	Conversion result	Output	Conversion result	327 bytes max. (326 single-byte alphanumeric characters plus the final NULL character)	---	---

	Boo lean	Bit strings					Integers							Real num- bers		Times, durations, dates, and text strings				
	BOOL	BYTE	WORD	DWORD	LWORD	USINT	UINT	UDINT	ULINT	SINT	INT	DINT	LINT	REAL	LREAL	TIME	DATE	TOD	DT	STRING
In														OK						
Exponent	OK																			
Sign	OK																			
MinLen						OK														
DecPlace						OK														
Out																				OK

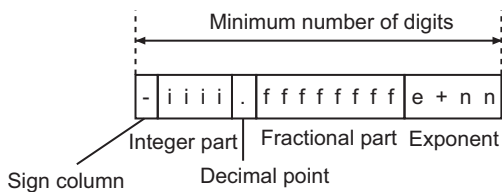
## Function

The RealToFormatString instruction converts REAL variable *In* to a text string.

*In* is expressed as an alphanumeric text string and output to conversion result *Out*. A NULL character (16#00) is placed at the end of *Out*.

If *In* contains a negative value, a minus sign (-) is added to the front of the text string. If *In* contains a positive value, a plus sign (+) is not added to the front of the text string.

The format of *Out* is determined by exponent *Exponent*, sign column *Sign*, minimum number of digits *MinLen*, and precision *DecPlace*.



Input variable	Description
Exponent	<i>Exponent</i> specifies whether an exponent is given. TRUE: Exponent FALSE: No exponent
Sign	<i>Sign</i> specifies whether there is a sign column. TRUE: Sign column FALSE: No sign column  The sign column is used only for a minus sign (-). If the number is positive when the sign column is specified, the sign column will contain a blank character. If the number is negative when no sign column is specified, a minus sign (-) will be added to the front of the integer part.  However, if the number of digits in the conversion result exceeds the value of <i>MinLen</i> and the conversion result is positive, the highest digit is placed in the sign column.
MinLen	<i>MinLen</i> is the minimum number of total digits for the sign column, integer part, decimal point, fractional part, and exponent.  If the conversion result has fewer digits than the value of <i>MinLen</i> , the text string will be right-aligned (except for the sign column) and remaining digits will contain blank characters. If the number of digits in the conversion result exceeds the value of <i>MinLen</i> , the text string is left-aligned and the text string for the digits that exceed the value of <i>MinLen</i> is assigned to <i>Out</i> .
DecPlace	<i>DecPlace</i> is the number of digits in the fractional part.  If the number of digits exceeds the value of <i>DecPlace</i> , the extra digits in the fractional portion are rounded off as described below. If the value of <i>DecPlace</i> is 0, the fractional part and decimal point are not given.

If the value of *In* is infinity, or nonnumeric data, the value of *Out* is as shown below.

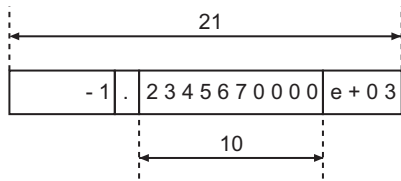
Value of <i>In</i>	Value of <i>Out</i>
+∞	'inf'
-∞	'-inf'
Nonnumeric data	'nan' or '-nan'

## Rounding Off

The following table shows how values are rounded.



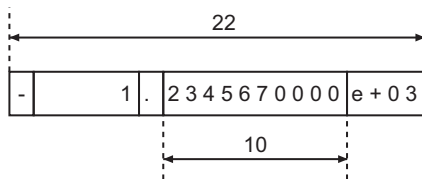
Here, the value of *MinLen* exceeds the number of digits in the text string, so the text string is right-aligned and blank characters are added before it.



● Example 3

Variables	Settings
In	REAL#-1234.567
Exponent	TRUE
Sign	TRUE
MinLen	USINT#22
DecPlace	USINT#10

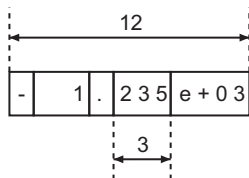
The sign column is always on the left. Blank characters are added to the front of the integer part.



● Example 4

Variables	Settings
In	REAL#-1234.567
Exponent	TRUE
Sign	TRUE
MinLen	USINT#12
DecPlace	USINT#3

The fourth decimal place is rounded off because *DecPlace* is USINT#3.



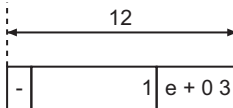
● Example 5

Variables	Settings
In	REAL#-1234.567
Exponent	TRUE
Sign	TRUE
MinLen	USINT#12



Variables	Settings
DecPlace	USINT#0

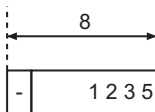
The first decimal place is rounded off because *DecPlace* is USINT#0. The decimal point is also not given.



### ● Example 6

Variables	Settings
In	REAL#-1234.567
Exponent	FALSE
Sign	TRUE
MinLen	USINT#8
DecPlace	USINT#0

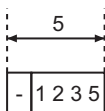
Here, no exponent is given and the integer part is only four digits. The first decimal place is rounded off.



### ● Example 7

Variables	Settings
In	REAL#-1234.567
Exponent	FALSE
Sign	TRUE
MinLen	USINT#2
DecPlace	USINT#0

Here, the number of digits in the integer part of *In* (four digits) is larger than the value of *MinLen* (USINT#2). The four digits of the integer part are given.

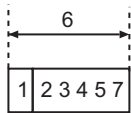


### ● Example 8

Variables	Settings
In	REAL#123456.7
Exponent	FALSE
Sign	TRUE
MinLen	USINT#4

Variables	Settings
DecPlace	USINT#0

Here, the number of digits in the integer part of *In* (six digits) is larger than the value of *MinLen* (USINT#4). The six digits of the integer part are given. The value of *In* is positive, so the highest digit is placed in the sign column.



## Additional Information

- *Exponent*, *Sign*, *MinLen*, and *DecPlace* can be omitted. The defaults are applied for any omitted input variables.
- To convert a LREAL variable to a text string, use the instruction, *LrealToFormatString* on page 2-313.
- To convert a text string to a real number, use the instruction, *STRING\_TO\_\*\** (*Text String-to-Real Number Conversion Group*) on page 2-323.

## Precautions for Correct Use

- An error will occur in the following cases. *ENO* will be FALSE, and *Out* will not change.
- The value of *DecPlace* is outside the valid range.
  - The value of *DecPlace* is greater than the value of *MinLen*.

# LrealToFormatString

The LrealToFormatString instruction converts a LREAL variable to a text string with the specified format.

Instruction	Name	FB/ FUN	Graphic expression	ST expression
LrealToFormatString	LREAL-to-Formatted Text String	FUN	<pre> graph LR     subgraph LrealToFormatString         In --- EN         Exponent --- ENO         Sign --- ENO         MinLen --- ENO         DecPlace --- ENO     end     EN --- Out     ENO --- Out         </pre>	Out:=LrealToFormatString (In, Exponent, Sign, MinLen, DecPlace);

## Variables

	Meaning	I/O	Description	Valid range	Unit	Default
In	Data to convert	Input	Data to convert	Depends on data type.	---	0.0
Exponent	Exponent		TRUE: Exponent FALSE: No exponent			FALSE
Sign	Sign column		TRUE: Sign column FALSE: No sign column			
MinLen	Minimum number of digits		Minimum number of digits in <i>Out</i>			6
DecPlace	Precision		Number of decimal digits in <i>Out</i>			0 to 15
Out	Conversion result	Output	Conversion result	327 bytes max. (326 single-byte alphanumeric characters plus the final NULL character)	---	---

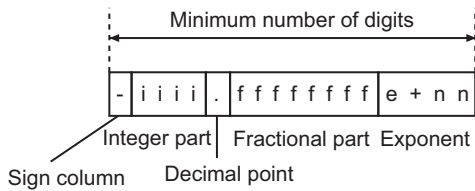
	Boolean	Bit strings					Integers							Real numbers		Times, durations, dates, and text strings				
	BOOL	BYTE	WORD	DWORD	LWORD	USINT	UINT	UDINT	ULINT	SINT	INT	DINT	LINT	REAL	LREAL	TIME	DATE	TOD	DT	STRING
In														OK						
Exponent	OK																			
Sign	OK																			
MinLen						OK														
DecPlace						OK														
Out																				OK

## Function

The `LrealToFormatString` instruction converts LREAL variable *In* to a text string. *In* is expressed as an alphanumeric text string and output to conversion result *Out*. A NULL character (16#00) is placed at the end of *Out*.

If *In* contains a negative value, a minus sign (-) is added to the front of the text string. If *In* contains a positive value, a plus sign (+) is not added to the front of the text string.

The format of *Out* is determined by exponent *Exponent*, sign column *Sign*, minimum number of digits *MinLen*, and precision *DecPlace*.



Input variable	Description
Exponent	<i>Exponent</i> specifies whether an exponent is given. TRUE: Exponent FALSE: No exponent
Sign	<i>Sign</i> specifies whether there is a sign column. TRUE: Sign column FALSE: No sign column  The sign column is used only for a minus sign (-). If the number is positive when the sign column is specified, the sign column will contain a blank character. If the number is negative when no sign column is specified, a minus sign (-) will be added to the front of the integer part.  However, if the number of digits in the conversion result exceeds the value of <i>MinLen</i> and the conversion result is positive, the highest digit is placed in the sign column.
MinLen	<i>MinLen</i> is the minimum number of total digits for the sign column, integer part, decimal point, fractional part, and exponent.  If the conversion result has fewer digits than the value of <i>MinLen</i> , the text string will be right-aligned (except for the sign column) and remaining digits will contain blank characters. If the number of digits in the conversion result exceeds the value of <i>MinLen</i> , the text string is left-aligned and the text string for the digits that exceed the value of <i>MinLen</i> is assigned to <i>Out</i> .
DecPlace	<i>DecPlace</i> is the number of digits in the fractional part.  If the number of digits exceeds the value of <i>DecPlace</i> , the extra digits in the fractional portion are rounded off as described below. If the value of <i>DecPlace</i> is 0, the fractional part and decimal point are not given.

If the value of *In* is infinity, or nonnumeric data, the value of *Out* is as shown below.

Value of <i>In</i>	Value of <i>Out</i>
$+\infty$	'inf'
$-\infty$	'-inf'
Nonnumeric data	'nan' or '-nan'

## Rounding Off

The following table shows how values are rounded.

Value of fractional part	Description	Examples
Less than 0.5	The fractional part is truncated.	1.49 → 1
0.5	If the ones digit is an even number, the fractional part is truncated. If it is an odd number, the value is rounded up.	1.50 → 2 2.50 → 2
Greater than 0.5	The fractional part is rounded up.	1.51 → 2

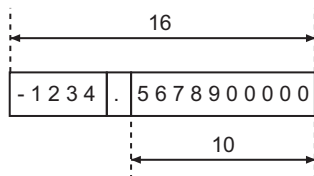
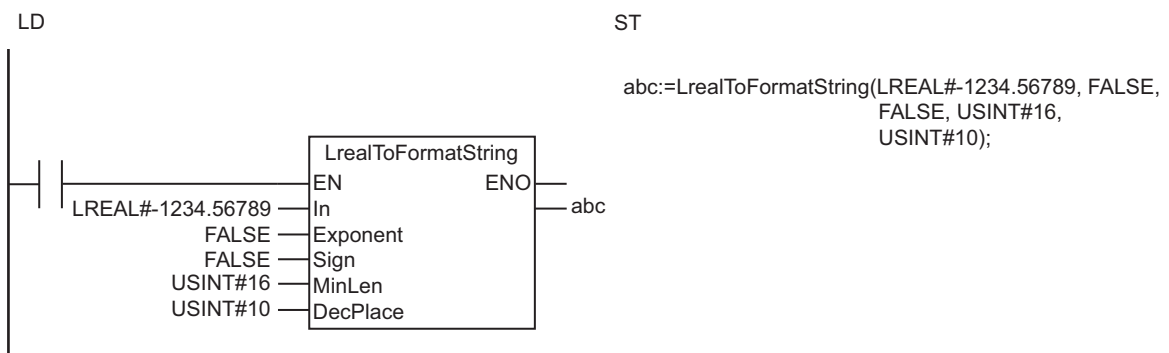
## Input Variables and Output Variables

The following examples show how input values are converted to the value of *Out*.

### ● Example 1

Variables	Settings
In	LREAL#-1234.56789
Exponent	FALSE
Sign	FALSE
MinLen	USINT#16
DecPlace	USINT#10

Here, no sign column is specified for a negative number, so a minus sign (-) is added to the front of the integer part.

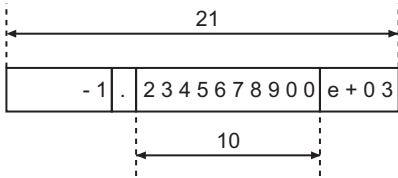


### ● Example 2

Variables	Settings
In	LREAL#-1234.56789
Exponent	TRUE
Sign	FALSE

Variables	Settings
MinLen	USINT#21
DecPlace	USINT#10

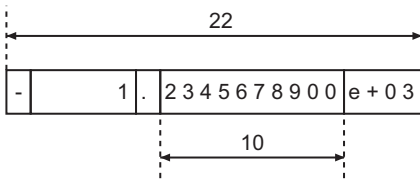
Here, the value of *MinLen* exceeds the number of digits in the text string, so the text string is right-aligned and blank characters are added before it.



● Example 3

Variables	Settings
In	LREAL#-1234.56789
Exponent	TRUE
Sign	TRUE
MinLen	USINT#22
DecPlace	USINT#10

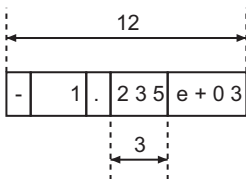
The sign column is always on the left. Blank characters are added to the front of the integer part.



● Example 4

Variables	Settings
In	LREAL#-1234.56789
Exponent	TRUE
Sign	TRUE
MinLen	USINT#12
DecPlace	USINT#3

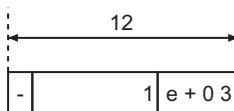
The fourth decimal place is rounded off because *DecPlace* is USINT#3.



### ● Example 5

Variables	Settings
In	LREAL#-1234.56789
Exponent	TRUE
Sign	TRUE
MinLen	USINT#12
DecPlace	USINT#0

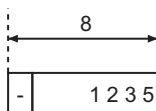
The first decimal place is rounded off because *DecPlace* is USINT#0. The decimal point is also not given.



### ● Example 6

Variables	Settings
In	LREAL#-1234.56789
Exponent	FALSE
Sign	TRUE
MinLen	USINT#8
DecPlace	USINT#0

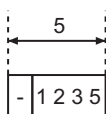
Here, no exponent is given and the integer part is only four digits. The first decimal place is rounded off.



### ● Example 7

Variables	Settings
In	LREAL#-1234.56789
Exponent	FALSE
Sign	TRUE
MinLen	USINT#2
DecPlace	USINT#0

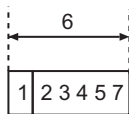
Here, the number of digits in the integer part of *In* (four digits) is larger than the value of *MinLen* (USINT#2). The four digits of the integer part are given.



### ● Example 8

Variables	Settings
In	LREAL#123456.789
Exponent	FALSE
Sign	TRUE
MinLen	USINT#4
DecPlace	USINT#0

Here, the number of digits in the integer part of *In* (six digits) is larger than the value of *MinLen* (USINT#4). The six digits of the integer part are given. The value of *In* is positive, so the highest digit is placed in the sign column.



### Additional Information

- *Exponent*, *Sign*, *MinLen*, and *DecPlace* can be omitted. The defaults are applied for any omitted input variables.
- To convert a REAL variable to a text string, use the instruction, *RealToFormatString* on page 2-307.
- To convert a text string to a real number, use the instruction, *STRING\_TO\_\*\** (*Text String-to-Real Number Conversion Group*) on page 2-323.

### Precautions for Correct Use

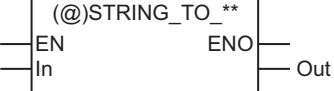
An error will occur in the following cases. *ENO* will be FALSE, and *Out* will not change.

- The value of *DecPlace* is outside the valid range.
- The value of *DecPlace* is greater than the value of *MinLen*.



# STRING\_TO\_\*\* (Text String-to-Integer Conversion Group)

These instructions convert text strings to integers.

Instruction	Name	FB/ FUN	Graphic expression	ST expression
STRING_TO_**	Text String-to-Integer Conversion Group	FUN	 <p>*** must be an integer data type.</p>	Out:=STRING_TO_** (In); **** must be an integer data type.

## Variables

	Meaning	I/O	Description	Valid range	Unit	Default
In	Data to convert	Input	Data to convert	*1	---	"
Out	Conversion result	Output	Conversion result	Depends on data type.	---	---

\*1. The valid range depends on the data type of *Out*. Refer to *Valid Range* on page 2-320 for details.

	Boo lean	Bit strings				Integers							Real num- bers		Times, durations, dates, and text strings					
	BOOL	BYTE	WORD	DWORD	LWORD	USINT	UINT	UDINT	ULINT	SINT	INT	DINT	LINT	REAL	LREAL	TIME	DATE	TOD	DT	STRING
In																				OK
Out						OK	OK	OK	OK	OK	OK	OK	OK							

## Function

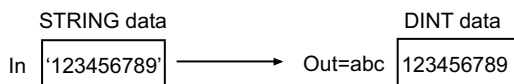
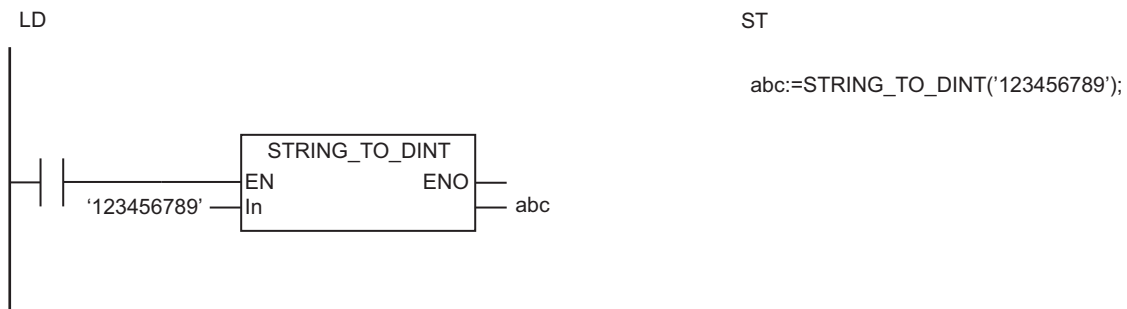
These instructions convert a text string, *In*, to an integer.

Basically, the text string in *In* must consist only of numbers '0' to '9'. The following exceptions are possible.

- If the first character in *In* is a single minus sign (-) or a single plus sign (+), it is processed as the sign.
- Any blank characters at the beginning of *In* are ignored.
- Any blank characters between an initial minus sign (-) or plus sign (+) and a number are ignored.
- Any single underbars ( ) at any location are ignored.
- An error occurs if there are two or more consecutive underbars ( ) at any location.
- An error occurs if there are any underbars ( ) at the beginning or end.
- An error occurs if there are any underbars ( ) between the minus signs (-) or plus sign (+) and the number at the beginning.

The name of the instruction is determined by the data type of conversion result *Out*. For example, if *Out* is the DINT data type, the instruction is STRING\_TO\_DINT.

The following example for the `STRING_TO_DINT` instruction is for when *In* is '123456789'.



## Valid Range

The valid range of *In* depends on the data type of *Out* as shown below:

Data type of <i>Out</i>	Valid range of <i>In</i> (maximum number of bytes)*1
USINT	4 bytes (3 single-byte alphanumeric characters plus the final NULL character)
UINT	6 bytes (5 single-byte alphanumeric characters plus the final NULL character)
UDINT	11 bytes (10 single-byte alphanumeric characters plus the final NULL character)
ULINT	21 bytes (20 single-byte alphanumeric characters plus the final NULL character)
SINT	5 bytes (4 single-byte alphanumeric characters plus the final NULL character)
INT	7 bytes (6 single-byte alphanumeric characters plus the final NULL character)
DINT	12 bytes (11 single-byte alphanumeric characters plus the final NULL character)
LINT	21 bytes (20 single-byte alphanumeric characters plus the final NULL character)

\*1. Any blank characters ( ) at the beginning of the text string, any zeros at the beginning of the text string, and any underbars ( \_ ) in the text string are not included in the number of bytes.

## Additional Information

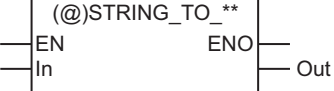
- To convert a text string to a hexadecimal number, use the instruction, `STRING_TO_**` (*Text String-to-Bit String Conversion Group*) on page 2-321.
- To convert an integer to a text string, use the instruction, `**_TO_STRING` (*Integer-to-Text String Conversion Group*) on page 2-301.

## Precautions for Correct Use

- Always use the correct instruction name for the data type of *Out*.
- If the value of *In* is '-0', the value of *Out* is 0.
- An error occurs in the following cases. *ENO* will be FALSE, and *Out* will not change.
  - a) The text string in *In* does not express a number.
  - b) The conversion result exceeds the valid range of the data type of *Out*.

# STRING\_TO\_\*\* (Text String-to-Bit String Conversion Group)

These instructions convert text strings to bit strings.

Instruction	Name	FB/ FUN	Graphic expression	ST expression
STRING_TO_**	Text String-to-Bit String Conversion Group	FUN	 <p>*** must be a bit string data type.</p>	Out:=STRING_TO_** (In); **** must be a bit string data type.

## Variables

	Meaning	I/O	Description	Valid range	Unit	Default
In	Data to convert	Input	Data to convert	*1	---	"
Out	Conversion result	Output	Conversion result	Depends on data type.	---	---

\*1. The valid range depends on the data type of *Out*. Refer to *Valid Range* on page 2-322 for details.

	Boo lean	Bit strings				Integers							Real num- bers		Times, durations, dates, and text strings					
	BOOL	BYTE	WORD	DWORD	LWORD	USINT	UINT	UDINT	ULINT	SINT	INT	DINT	LINT	REAL	LREAL	TIME	DATE	TOD	DT	STRING
In																				OK
Out		OK	OK	OK	OK															

## Function

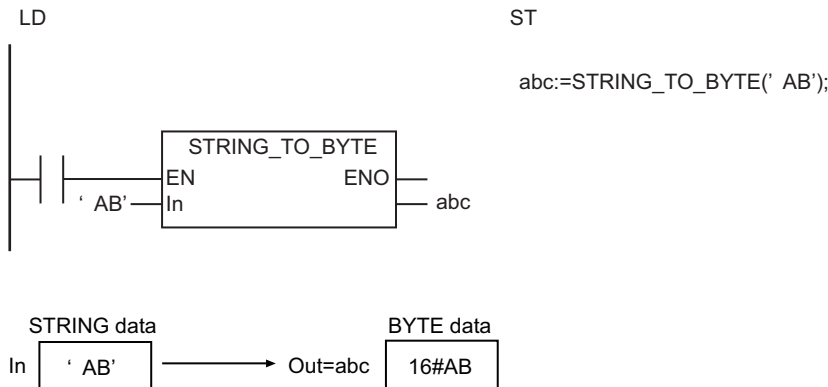
These instructions interpret the content of a text string, *In*, as a hexadecimal number and convert it to a bit string.

Basically, the text string in *In* must consist only of "0" to "9", "a" to "f", and "A" to "F". The following exception is possible.

- Any continuous blank characters or zeros at the beginning of *In* are ignored.
- Any single underbars ( \_ ) at any location are ignored.
- An error occurs if there are two or more consecutive underbars ( \_ ) at any location.
- An error occurs if there are any underbars ( \_ ) at the beginning or end.
- An error occurs if there are any underbars ( \_ ) between the minus signs (-) or plus sign (+) and the number at the beginning.

The name of the instruction is determined by the data type of conversion result *Out*. For example, if *Out* is the BYTE data type, the instruction is STRING\_TO\_BYTE.

The following example for the `STRING_TO_BYTE` instruction is for when *In* is ' AB'. Any blank characters at the beginning are ignored.



## Valid Range

The valid range of *In* depends on the data type of *Out* as shown below:

Data type of <i>Out</i>	Valid range of <i>In</i> (maximum number of bytes) <sup>*1</sup>
BYTE	3 bytes (2 single-byte alphanumeric characters plus the final NULL character)
WORD	5 bytes (4 single-byte alphanumeric characters plus the final NULL character)
DWORD	9 bytes (8 single-byte alphanumeric characters plus the final NULL character)
LWORD	17 bytes (16 single-byte alphanumeric characters plus the final NULL character)

\*1. Any blank characters ( ) at the beginning of the text string, any zeros at the beginning of the text string, and any underbars ( \_ ) in the text string are not included in the number of bytes.

## Additional Information

- To treat a signed number as a text string, use the instruction, `STRING_TO_**` (*Text String-to-Integer Conversion Group*) on page 2-319.
- To convert a bit string to a text string, use the instruction, `**_TO_STRING` (*Bit String-to-Text String Conversion Group*) on page 2-303.

## Precautions for Correct Use

- Always use the correct instruction name for the data type of *Out*.
- An error will occur in the following cases. *ENO* will be FALSE, and *Out* will not change.
  - The text string in *In* does not express a number.
  - The conversion result exceeds the valid range of the data type of *Out*.



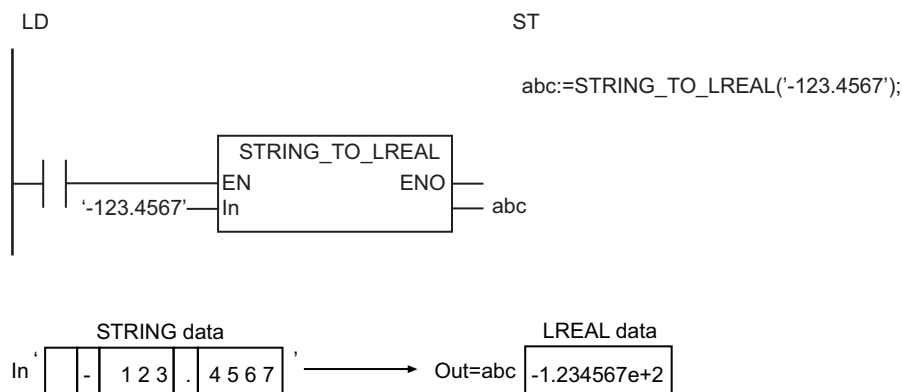
Name	Format
Sign	<ul style="list-style-type: none"> <li>Any consecutive blank characters at the beginning of the text string are ignored. Any following single plus sign (+) or minus sign (-) is treated as the sign.</li> <li>The plus sign (+) can be omitted.</li> <li>Any consecutive blank characters after the sign are ignored.</li> </ul>
Integer part	<ul style="list-style-type: none"> <li>The characters after the sign and up to the decimal point are taken as the integer part. Any consecutive blank characters after the sign are not included in the integer part. The sign may sometimes be omitted.</li> <li>If the decimal point and fractional part are omitted, the characters up to the exponent are taken as the integer part.</li> <li>If the decimal point, fractional part, and exponent are omitted, the characters up to the end of the text string are taken as the integer part.</li> <li>The integer part consists of '0' to '9'.</li> <li>The integer part cannot be omitted.</li> <li>The maximum number of digits in the integer part is the maximum text string length of 1985 minus the total number of bytes in the following: the sign, decimal point, fractional part, exponent, and blank characters before and after the sign.</li> </ul>
Decimal point	<ul style="list-style-type: none"> <li>A single period (.) following the integer part is taken as the decimal point.</li> <li>Omit the decimal point if there is no fractional part.</li> </ul>
Fractional part	<ul style="list-style-type: none"> <li>The characters after the decimal point and up to the exponent are taken as the fractional part.</li> <li>If the exponent is omitted, the characters up to the end of the text string are taken as the fractional part.</li> <li>The fractional part consists of '0' to '9'.</li> <li>The fractional part can be omitted.</li> <li>The fractional part can consist of a maximum of 15 digits.</li> <li>If there is no decimal point, then there is no fractional part.</li> </ul>
Exponent	<ul style="list-style-type: none"> <li>The exponent consists of a single 'e' or 'E' after the fractional part, a following single plus sign (+) or minus sign (-), and the remaining characters to the end of the text string.</li> <li>If there is no fractional part, then the above text string after the decimal point is taken as the exponent.</li> <li>If there is no decimal point or fractional part, then the above text string after the integer part is taken as the exponent.</li> <li>The numeric part of the exponent consists of '0' to '9'.</li> <li>The exponent can be omitted.</li> <li>The numeric part of the exponent can consist of a maximum of three digits.</li> </ul>

If the value of *In* is '+inf', the value of *Out* is positive infinity. If the value of *In* is '-inf', the value of *Out* is negative infinity. In either case, characters are not case sensitive.

## Notation Example

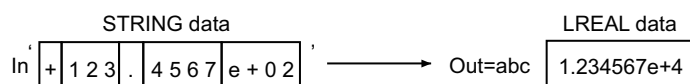
### ● Example 1:

The following example uses the sign, decimal point, and fractional part, but does not use an exponent.



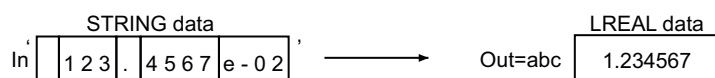
### ● Example 2:

The following example uses the sign, decimal point, fractional part, and exponent.



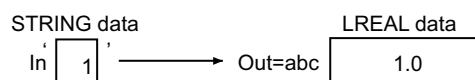
### ● Example 3:

The following example does not use the sign, but uses the decimal point, fractional part, and exponent.



### ● Example 4:

The following example does not use the sign, fractional part, decimal point, and exponent.



## Additional Information

To convert a real number to a text string, use the instruction, `**_TO_STRING` (*Real Number-to-Text String Conversion Group*) on page 2-305.

## Precautions for Correct Use

- Always use the correct instruction name for the data type of *Out*.
- If there is a single underbar ( `_` ) at any location in *In*, it is ignored.
- An error occurs if there is an underbar ( `_` ) at the beginning or the end of *In*.
- An error occurs if there are two or more consecutive underbars ( `_` ) at any location in *In*.
- An error occurs if there is an underbar ( `_` ) between the minus ( `-` ) or plus ( `+` ) sign and the number of *In*.
- If the value of *In* exceeds the accuracy of the data type of *Out*, the value is rounded.

- If the value of *In* is closer to 0 than the minimum value of the data type of *Out*, the value of *Out* will be 0.
- If the value of *In* exceeds the valid range of *Out*, *Out* will be positive infinity for a positive number or negative infinity for a negative number.
- An error will occur in the following cases. *ENO* will be FALSE, and *Out* will not change.
  - a) The text string in *In* does not express a number.
  - b) The text string in *In* has a decimal point but not a fractional part.
  - c) The number of digits in the fractional part of the text string *In* exceeds 15.





- Conversion is performed to within the effective digits of the data type of *In*. If *In* is a real number, the fractional part is rounded off to the closest integer.

## Rounding Off

The following table shows how values are rounded.

Value of fractional part	Description	Examples
Less than 0.5	The fractional part is truncated.	1.49 → 1
0.5	If the ones digit is an even number, the fractional part is truncated. If it is an odd number, the value is rounded up.	1.50 → 2 2.50 → 2
Greater than 0.5	The fractional part is rounded up.	1.51 → 2

## Valid Range

The valid ranges for *In* and *Out* depend on their data types. For the valid value range for each data type, refer to *Valid Range* on page 2-278 for **\*\*\_TO\_\*\*** (Integer-to-Integer Conversion Group), *Valid Range* on page 2-287 for **\*\*\_TO\_\*\*** (Bit String-to-Integer Conversion Group), and *Valid Range* on page 2-294 for **\*\*\_TO\_\*\*** (Real Number-to-Integer Conversion Group).

For detailed specifications when *In* is STRING data, refer to *Valid Range* on page 2-320 for **STRING\_TO\_\*\*** (Text String-to-Integer Conversion Group).

## Precautions for Correct Use

- Always use the correct instruction name for the data type of *Out*.
- If the data type of *In* is for a bit string and the sizes of the data types of *In* and *Out* are different, the following processing is performed.
  - a) If the data size of *Out* is larger than the data size of *In*, the upper digits of *Out* will contain 0.
  - b) If the data size of *Out* is smaller than the data size of *In*, the upper digits are truncated.
- Observe the following precautions if *In* is STRING data.
  - a) If the first character in *In* is a minus sign (-) or a plus sign (+), it is processed as the sign.
  - b) Except for a minus sign (-) or a plus sign (+) at the beginning, *In* must consist of consecutive '0' to '9' characters. Underbars (\_) and blank characters before or after the (-) or (+) are allowed in the text string.
- If the conversion result exceeds the valid range of *Out*, *Out* will contain an undefined value. Always make sure that the value of *In* is within the valid range so that the conversion result will not exceed the valid range of *Out*.
- An error occurs in the following cases. *ENO* will be FALSE, and *Out* will not change.
  - a) *In* is STRING data, but the text string does not express a number.





## Valid Range

The valid ranges for *In* and *Out* depend on their data types. For the valid value range for each data type, refer to *Valid Range* on page 2-281 for **\*\*\_TO\_\*\*\*** (Integer-to-Bit String Conversion Group), and *Valid Range* on page 2-290 for **\*\*\_TO\_\*\*\*** (Bit String-to-Bit String Conversion Group).

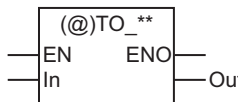
For detailed specifications when *In* is STRING data, refer to *Valid Range* on page 2-322 for **STRING\_TO\_\*\*** (Text String-to-Bit String Conversion Group).

## Precautions for Correct Use

- Always use the correct instruction name for the data type of *Out*.
- If the conversion result exceeds the valid range of *Out*, *Out* will contain an undefined value. Always make sure that the value of *In* is within the valid range so that the conversion result will not exceed the valid range of *Out*.
- An error will occur in the following case. *ENO* will be FALSE, and *Out* will not change.
  - a) *In* is STRING data, but the text string does not express a number.

# TO\_\*\* (Real Number Conversion Group)

These instructions convert integers, bit strings, real numbers, and text strings to real numbers.

Instruction	Name	FB/ FUN	Graphic expression	ST expression
TO_**	Real Number Conversion Group	FUN	 <p>*** must be a real number data type.</p>	Out:=TO_**(In); *** must be a real number data type.

## Variables

	Meaning	I/O	Description	Valid range	Unit	Default
In	Data to convert	Input	Data to convert	*1 *2	---	*3
Out	Conversion result	Output	Conversion result	*1	---	---

\*1. The valid ranges depend on the data types of *In* and *Out*. Refer to *Valid Range* on page 2-332 for details.

\*2. For STRING data, the valid range is 311 bytes max. (310 single-byte alphanumeric characters plus the final NULL character).

\*3. If you omit the input parameter, the default value is not applied. A building error will occur.

	Boo lean	Bit strings					Integers							Real num- bers		Times, durations, dates, and text strings				
	BOOL	BYTE	WORD	DWORD	LWORD	USINT	UINT	UDINT	ULINT	SINT	INT	DINT	LINT	REAL	LREAL	TIME	DATE	TOD	DT	STRING
In		OK	OK	OK	OK	OK	OK	OK	OK	OK	OK	OK	OK	OK	OK					OK
Out														OK	OK					

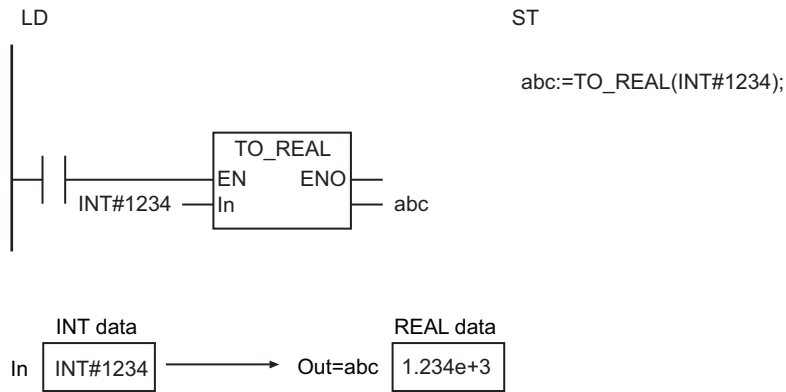
## Function

These instructions convert the integer, bit string, real number, or text string in *In* to a real number.

The name of the instruction is determined by the data type of conversion result *Out*. For example, if *Out* is the REAL data type, the instruction is TO\_REAL.

If the value of *In* is positive or negative infinity, the value of *Out* is positive or negative infinity.

The following example for the TO\_REAL instruction is for when *In* is INT#1234.



## Valid Range

The valid ranges for *In* and *Out* depend on their data types. For the valid value range for each data type, refer to *Valid Range* on page 2-284 for **\*\*\_TO\_\*\*\*** (Integer-to-Real Number Conversion Group), *Valid Range* on page 2-292 for **\*\*\_TO\_\*\*\*** (Bit String-to-Real Number Conversion Group), and *Valid Range* on page 2-300 for **\*\*\_TO\_\*\*\*** (Real Number-to-Real Number Conversion Group).

For detailed specifications when *In* is STRING data, refer to *Function* on page 2-323 for **STRING\_TO\_\*\*** (Text String-to-Real Number Conversion Group).

## Precautions for Correct Use

- Always use the correct instruction name for the data type of *Out*.
- An error will occur in the following case. *ENO* will be FALSE, and *Out* will not change.
  - a) *In* is STRING data, but the text string does not express a number.

# EnumToNum

The EnumToNum instruction converts enumeration data to DINT data.

Instruction	Name	FB/ FUN	Graphic expression	ST expression
EnumToNum	Enumeration-to-Integer	FUN		Out:=EnumToNum(In);



## Version Information

A CPU Unit with unit version 1.02 or later and Sysmac Studio version 1.03 or higher are required to use this instruction.

## Variables

	Meaning	I/O	Description	Valid range	Unit	Default
In	Data to convert	Input	Data to convert	---	---	0
Out	Conversion result	Output	Conversion result	Depends on data type.	---	---

	Boo lean	Bit strings				Integers						Real num- bers		Times, durations, dates, and text strings						
	BOOL	BYTE	WORD	DWORD	LWORD	USINT	UINT	UDINT	ULINT	SINT	INT	DINT	LINT	REAL	LREAL	TIME	DATE	TOD	DT	STRING
In																				
Out												OK								

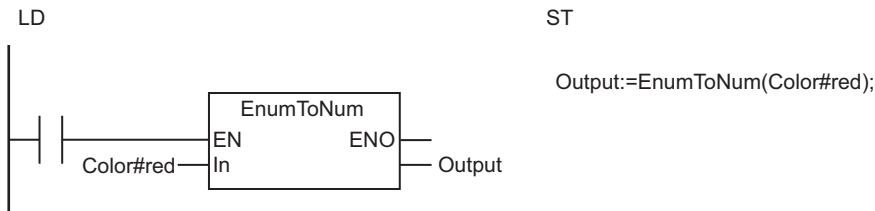
## Function

The EnumToNum instruction converts the value of data to convert *In*, which is an enumeration, to a DINT value and outputs the value to conversion result *Out*.

Use this instruction, for example, to monitor the value of an enumerated variable on an HMI or other display device that does not handle enumerated variables.

The following example shows how to convert enumerator *red* of the enumeration *Color* to a value and output that value to DINT variable *Output*.

If the value of enumerator *red* is 0, *Output* will be DINT#0.



## Sample Programming

In this sample, the operating mode of the user program is defined with enumerated data type EnumMode.

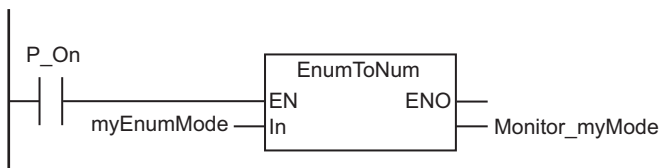
To monitor the operating mode on the HMI, the value of variable *myEnumMode* (an enumeration with a data type of EnumMode) is converted and the converted value is output to DINT variable *Monitor\_myMode*. For example, if the value of *myEnumMode* is mode2, the value of *Monitor\_myMode* will be 2.

## Data Type Definition

Name	Enumeration value	Comment
EnumMode	---	Enumerated data type
mode0	0	Member
mode1	1	Member
mode2	2	Member

## LD

Name	Data type	Default	Comment
myEnumMode	EnumMode	mode0	Value of mode in enumerated data type
Monitor_myMode	DINT	0	Monitored mode value



## ST

Name	Data type	Default	Comment
myEnumMode	EnumMode	mode0	Value of mode in enumerated data type
Monitor_myMode	DINT	0	Monitored mode value

```
Monitor_myMode:=EnumToNum(myEnumMode);
```



# NumToEnum

The NumToEnum instruction converts DINT data to enumeration data.

Instruction	Name	FB/ FUN	Graphic expression	ST expression
NumToEnum	Integer-to-Enumeration	FUN		NumToEnum(In, InOut);



## Version Information

A CPU Unit with unit version 1.02 or later and Sysmac Studio version 1.03 or higher are required to use this instruction.

## Variables

	Meaning	I/O	Description	Valid range	Unit	Default
In	Data to convert	Input	Data to convert	Depends on data type.	---	0
InOut	Conversion result	In-out	Conversion result	---	---	---
Out	Return value	Output	TRUE: Instruction was executed normally. FALSE: Instruction was not executed or an error occurred.	Depends on data type.	---	---

	Boo lean	Bit strings				Integers							Real numbers		Times, durations, dates, and text strings					
	BOOL	BYTE	WORD	DWORD	LWORD	USINT	UINT	UDINT	ULINT	SINT	INT	DINT	LINT	REAL	LREAL	TIME	DATE	TOD	DT	STRING
In												OK								
InOut	Enumeration																			
Out	OK																			

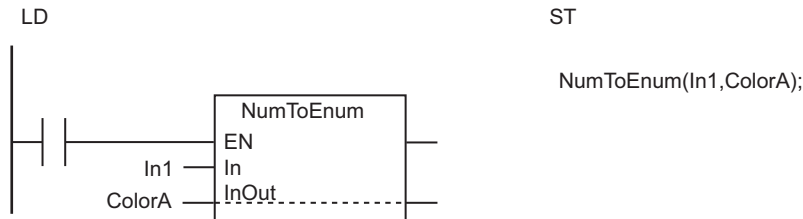
## Function

The NumToEnum instruction converts the value of data to convert *In*, which is DINT data, to an enumeration value and outputs that value to conversion result *InOut*.

Use this instruction, for example, to change the value of an enumerated variable from an HMI or other display device that does not handle enumerated variables.

The following example shows how to convert the value of DINT variable *In1* and output the results to variable *ColorA*, which has an enumerated data type of *Color*.

If *green* is the enumerator that corresponds to an enumeration value of 1 for *Color* and the value of *In1* is 1, the value of *ColorA* will be *green*.



## Additional Information

If you use this instruction in a ladder diagram, you can use *Out* to see if the value of *In* is within the range of values for *InOut*.

## Precautions for Correct Use

An error occurs if the value of *In* is not within the range of values for *InOut*. *Out* will be FALSE, and the value of *InOut* will not change.

## Sample Programming

In this sample, the operating mode of the user program is defined with enumerated data type EnumMode.

To change the operating mode from an HMI, the value of *Input\_myMode*, which is a DINT variable, is written.

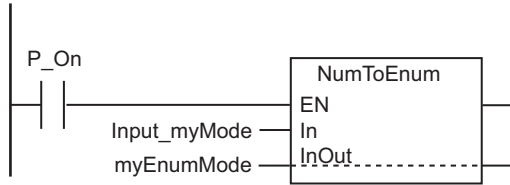
In the user program, the value of *Input\_myMode* is converted and the converted value is output to variable *myEnumMode* (an enumeration with a data type of EnumMode). For example, if the value of *Input\_myMode* is 1, the value of *myEnumMode* will be mode1.

## Data Type Definition

Name	Enumeration value	Comment
EnumMode	---	Enumerated data type
mode0	0	Member
mode1	1	Member
mode2	2	Member

## LD

Name	Data type	Default	Comment
myEnumMode	EnumMode	mode0	Value of mode in enumerated data type
Input_myMode	DINT	0	Value of mode to which to change



## ST

Name	Data type	Default	Comment
myEnumMode	EnumMode	mode0	Value of mode in enumerated data type
Input_myMode	DINT	0	Value of mode to which to change

```
NumToEnum (Input_myMode, myEnumMode) ;
```

# TRUNC, Round, and RoundUp

These instructions convert real numbers to integers.

- TRUNC : Truncates a real number to an integer.
- Round : Rounds up or down a real number to the nearest integer.
- RoundUp : Rounds up a real number to the nearest integer.

Instruction	Name	FB/ FUN	Graphic expression	ST expression
TRUNC	Truncate	FUN		Out:=TRUNC(In);
Round	Round Off Real Number	FUN		Out:=Round(In);
RoundUp	Round Up Real Number	FUN		Out:=RoundUp(In);

## Variables

	Meaning	I/O	Description	Valid range	Unit	Default
In	Data to convert	Input	Data to convert	Depends on data type.	---	*1
Out	Conversion result	Output	Conversion result	Depends on data type.	---	---

\*1. If you omit the input parameter, the default value is not applied. A building error will occur.

	Boo lean	Bit strings					Integers							Real num- bers		Times, durations, dates, and text strings				
	BOOL	BYTE	WORD	DWORD	LWORD	USINT	UINT	UDINT	ULINT	SINT	INT	DINT	LINT	REAL	LREAL	TIME	DATE	TOD	DT	STRING
In														OK	OK					
Out												OK	OK							

## Function

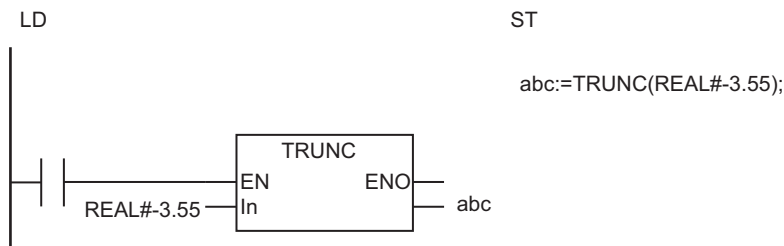
These instructions change the real number in *In* to an integer by eliminating the fractional part.

### TRUNC

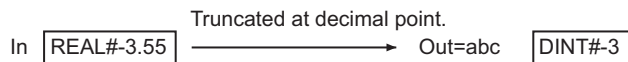
The TRUNC instruction truncates the number at the first decimal digit.

The following example for the TRUNC instruction is for when *In* is REAL#-3.55.

The value of variable *abc* will be DINT#-3.



The TRUNC instruction truncates the number at the first decimal digit. The value of *In* is REAL#-3.55, so the value of *abc* will be DINT#-3.



## Round

The Round instruction rounds the number at the first decimal digit.

### ● Rounding Off

The following table shows how values are rounded.

Value of fractional part	Description	Examples
Less than 0.5	The fractional part is truncated.	1.49 → 1 -1.49 → -1
0.5	If the ones digit is an even number, the fractional part is truncated. If it is an odd number, the value is rounded up.	1.50 → 2 2.50 → 2 -1.50 → -2 -2.50 → -2
Greater than 0.5	The fractional part is rounded up.	1.51 → 2 -1.51 → -2

## RoundUp

The RoundUp instruction rounds up the number at the first decimal digit.

## Differences in Operation

The following table shows differences in operation between these three instructions.

Input value	Output value		
	TRUNC	Round	RoundUp
REAL#1.6	DINT#1	DINT#2	DINT#2
REAL#1.5	DINT#1	DINT#2	DINT#2
REAL#1.5	DINT#1	DINT#1	DINT#2
REAL#2.5	DINT#2	DINT#2	DINT#3
REAL#-1.6	DINT#-1	DINT#-2	DINT#-2
REAL#-1.5	DINT#-1	DINT#-2	DINT#-2

Input value	Output value		
	TRUNC	Round	RoundUp
REAL#-1.4	DINT#-1	DINT#-1	DINT#-2
REAL#-2.5	DINT#-2	DINT#-2	DINT#-3

## Additional Information

If the data type of *In* is REAL, the data type of *Out* is DINT.

If the data type of *In* is LREAL, the data type of *Out* is LINT.

## Precautions for Correct Use

- If the conversion result exceeds the valid range of *Out*, *Out* will contain an undefined value. Always make sure that the value of *In* is within the valid range so that the conversion result will not exceed the valid range of *Out*.
- If you pass an integer parameter to *In*, the data type is converted as follows:

Data type of parameter that is passed to <i>In</i>	Data type of <i>In</i>
USINT, UINT, SINT, or INT	REAL
UDINT or DINT	LREAL
ULINT or LINT	A building error will occur.

# Bit String Processing Instructions

Instruction	Name	Page
AND (&), OR, and XOR	Logical AND/Logical OR/Logical Exclusive OR	page 2-342
XORN	Logical Exclusive NOR	page 2-345
NOT	Bit Reversal	page 2-347
AryAnd, AryOr, AryXor, and AryXorN	Array Logical AND/Array Logical OR/Array Logical Exclusive OR/Array Logical Exclusive NOR	page 2-349

# AND (&), OR, and XOR

These instructions perform the following operations on each corresponding bit of multiple Boolean variables or bit strings.

AND (&) : Logical AND  
 OR : Logical OR  
 XOR : Logical Exclusive OR

Instruction	Name	FB/ FUN	Graphic expression	ST expression
AND (&)	Logical AND	FUN		$Out := In1 \text{ AND } \dots \text{ AND } InN;$ $Out := In1 \& \dots \& InN;$
OR	Logical OR	FUN		$Out := In1 \text{ OR } \dots \text{ OR } InN;$
XOR	Logical Exclusive OR	FUN		$Out := In1 \text{ XOR } \dots \text{ XOR } InN;$

## Variables

	Meaning	I/O	Description	Valid range	Unit	Default
In1 to InN	Data to process	Input	Data to process N = 2 to 5	Depends on data type.	---	0*1
Out	Processing result	Output	Processing result	Depends on data type.	---	---

\*1. If you omit the input parameter that connects to *InN*, the default value is not applied, and a building error will occur. For example, where N is 3, if the input parameters that connect to *In1* and *In2* are omitted, the default values are applied. But if the input parameter that connects to *In3* is omitted, a building error will occur.

	Boo lean	Bit strings				Integers							Real num bers		Times, durations, dates, and text strings					
	BOOL	BYTE	WORD	DWORD	LWORD	USINT	UINT	UDINT	ULINT	SINT	INT	DINT	LINT	REAL	LREAL	TIME	DATE	TOD	DT	STRING
In1 to InN	OK	OK	OK	OK	OK															







# XORN

The XORN instruction performs a logical exclusive NOR operation on each corresponding bit of multiple Boolean variables or bit strings.

Instruction	Name	FB/ FUN	Graphic expression	ST expression
XORN	Logical Exclusive NOR	FUN		Out:=In1 XOR NOT ··· XOR NOT InN;

## Variables

	Meaning	I/O	Description	Valid range	Unit	Default
In1 to InN	Data to process	Input	Data to process N = 2 to 5	Depends on data type.	---	0*1
Out	Processing result	Output	Processing result	Depends on data type.	---	---

\*1. If you omit the input parameter that connects to *InN*, the default value is not applied, and a building error will occur. For example, where N is 3, if the input parameters that connect to *In1* and *In2* are omitted, the default values are applied. But if the input parameter that connects to *In3* is omitted, a building error will occur.

	Boo lean	Bit strings				Integers							Real num bers		Times, durations, dates, and text strings					
	BOOL	BYTE	WORD	DWORD	LWORD	USINT	UINT	UDINT	ULINT	SINT	INT	DINT	LINT	REAL	LREAL	TIME	DATE	TOD	DT	STRING
In1 to InN	OK	OK	OK	OK	OK															
Out	Must be the same data type as <i>In1</i> to <i>InN</i>																			

## Function

These instructions perform bitwise operations on data to process, *In1* to *InN*, which are multiple Boolean variables or bit strings.

The same data type should be used for *In1* to *InN* and *Out*.

If there are three or more data to process, operations are performed as below.

- 1** Perform operations on *In1* and *In2*.
- 2** Perform operations on the result of step 1 and *In3*.
- 3** Perform operations on the result of step 2 and *In4*.

Continue operations as above.



# NOT

The NOT instruction inverts each bit of a Boolean variable or bit string.

Instruction	Name	FB/ FUN	Graphic expression	ST expression
NOT	Bit Reversal	FUN		Out:=NOT(In);

## Variables

	Meaning	I/O	Description	Valid range	Unit	Default
In	Data to process	Input	Data to process	Depends on data type.	---	*1
Out	Processing result	Output	Processing result	Depends on data type.	---	---

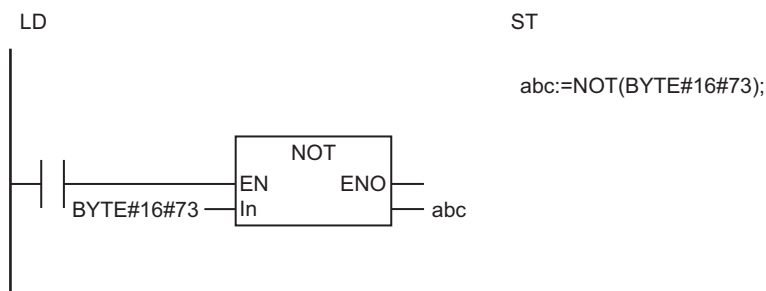
\*1. If you omit the input parameter, the default value is not applied. A building error will occur.

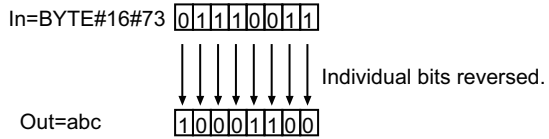
	Boolean		Bit strings			Integers							Real numbers		Times, durations, dates, and text strings					
	BOOL	BYTE	WORD	DWORD	LWORD	USINT	UINT	UDINT	ULINT	SINT	INT	DINT	LINT	REAL	LREAL	TIME	DATE	TOD	DT	STRING
In	OK	OK	OK	OK	OK															
Out	Must be the same data type as <i>In</i> 1																			

## Function

The NOT instruction inverts the bits in data to process, *In*, which is a Boolean or bit-string. *In* and processing result *Out* must have the same number of bits, i.e., they must be of the same data type.

The following shows an example where *In* is BYTE#16#73.





### Precautions for Correct Use

The data types of *In* and *Out* must be the same.  
Otherwise, a building error will occur.

# AryAnd, AryOr, AryXor, and AryXorN

These instructions perform the following operations on individual bits of each corresponding Boolean or bit-string element in two arrays.

- AryAnd : Logical AND
- AryOr : Logical OR
- AryXor : Logical Exclusive OR
- AryXorN : Logical Exclusive NOR

Instruction	Name	FB/ FUN	Graphic expression	ST expression
AryAnd	Array Logical AND	FUN		AryAnd(In1, In2, Size, AryOut);
AryOr	Array Logical OR	FUN		AryOr(In1, In2, Size, AryOut);
AryXor	Array Logical Exclusive OR	FUN		AryXor(In1, In2, Size, AryOut);
AryXorN	Array Logical Exclusive NOR	FUN		AryXorN(In1, In2, Size, AryOut);

## Variables

	Meaning	I/O	Description	Valid range	Unit	Default
In1[] and In2[] (arrays)	Array to process	Input	Array to process	Depends on data type.	---	*1
Size	Number of elements		Number of elements to process			1

	Meaning	I/O	Description	Valid range	Unit	Default
AryOut[] (array)	Processing results array	In-out	Processing results array	Depends on data type.	---	---
Out	Return value	Output	Always TRUE	TRUE only	---	---

\*1. If you omit the input parameter, the default value is not applied. A building error will occur.

	Boo lean	Bit strings					Integers							Real numbers		Times, durations, dates, and text strings				
	BOOL	BYTE	WORD	DWORD	LWORD	USINT	UINT	UDINT	ULINT	SINT	INT	DINT	LINT	REAL	LREAL	TIME	DATE	TOD	DT	STRING
In1[] (array)	OK	OK	OK	OK	OK															
In2[] (array)	Must be same data type as In1[]																			
Size							OK													
AryOut[] (array)	Must be same data type as In1[]																			
Out	OK																			

## Function

These instructions perform bitwise operations on the specified number of elements, *Size*, from the beginning of respective arrays to process, In1[] and In2[]. The operation results are stored in the corresponding elements of AryOut[].

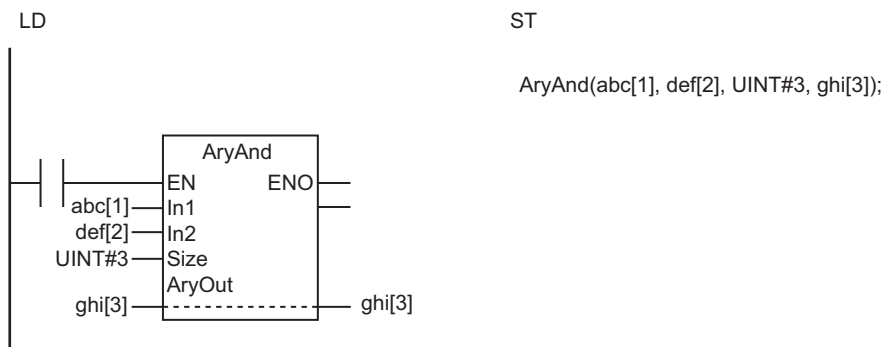
In1[], In2[] and AryOut[] must be of the same data type.

## AryAnd

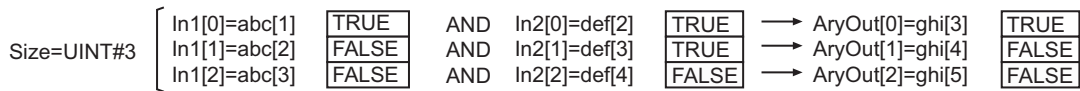
If both bits are TRUE, then the processing result is TRUE. Otherwise, the processing result is FALSE.

Bit of element in In1[]	Bit of element in In2[]	Bit of AryOut[]
FALSE	FALSE	FALSE
FALSE	TRUE	FALSE
TRUE	FALSE	FALSE
TRUE	TRUE	TRUE

The following example shows the AryAnd instruction when *Size* is UINT#3.







## AryOr

If both bits are FALSE, then the processing result is FALSE. Otherwise, the processing result is TRUE.

Bit of element in In1[]	Bit of element in In2[]	Bit of AryOut[]
FALSE	FALSE	FALSE
FALSE	TRUE	TRUE
TRUE	FALSE	TRUE
TRUE	TRUE	TRUE

## AryXor

If both bits are the same, then the processing result is FALSE. If one bit is TRUE and the other is FALSE, then the processing result is TRUE.

Bit of element in In1[]	Bit of element in In2[]	Bit of AryOut[]
FALSE	FALSE	FALSE
FALSE	TRUE	TRUE
TRUE	FALSE	TRUE
TRUE	TRUE	FALSE

## AryXorN

If both bits are the same, then the processing result is TRUE. If one bit is TRUE and the other is FALSE, then the processing result is FALSE.

Bit of element in In1[]	Bit of element in In2[]	Bit of AryOut[]
FALSE	FALSE	TRUE
FALSE	TRUE	FALSE
TRUE	FALSE	FALSE
TRUE	TRUE	TRUE

## Precautions for Correct Use

- The data types of In1[], In2[], and AryOut[] must be the same. If they are different, a building error will occur.
- The number of elements in AryOut[] should be equal to or more than the value of Size.
- The value of AryOut[] will not change if the value of Size is 0.
- Return value Out is not used when this instruction is used in ST.
- An error will occur in the following case. ENO will be FALSE, and AryOut[] will not change.
  - a) The value of Size exceeds the number of elements in In1[], In2[], or AryOut[].



# Selection Instructions

Instruction	Name	Page
SEL	Binary Selection	page 2-354
MUX	Multiplexer	page 2-356
LIMIT	Limiter	page 2-359
Band	Deadband Control	page 2-361
Zone	Dead Zone Control	page 2-363
MAX and MIN	Maximum/Minimum	page 2-365
AryMax and AryMin	Array Maximum/Array Minimum	page 2-367
ArySearch	Array Search	page 2-370

# SEL

The SEL instruction selects one of two options.

Instruction	Name	FB/ FUN	Graphic expression	ST expression
SEL	Binary Selection	FUN		Out:=SEL(G, In0, In1);

## Variables

	Meaning	I/O	Description	Valid range	Unit	Default
G	Gate	Input	FALSE: Selects <i>In0</i> TRUE: Selects <i>In1</i>	Depends on data type.	---	FALSE
In0 and In1	Selections		Selections			*1
Out	Selection result	Output	Selection result	Depends on data type.	---	---

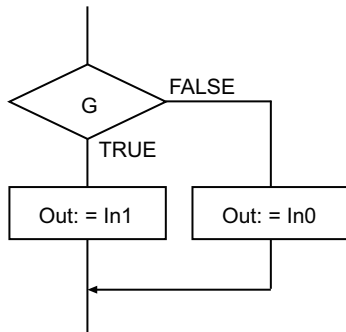
\*1. If you omit the input parameter, the default value is not applied. A building error will occur.

	Boo lean	Bit strings					Integers							Real num- bers		Times, durations, dates, and text strings				
	BOOL	BYTE	WORD	DWORD	LWORD	USINT	UINT	UDINT	ULINT	SINT	INT	DINT	LINT	REAL	LREAL	TIME	DATE	TOD	DT	STRING
G	OK																			
In0 and In1	OK	OK	OK	OK	OK	OK	OK	OK	OK	OK	OK	OK	OK	OK	OK	OK	OK	OK	OK	OK
	Enumerations can also be specified.*1																			
Out	OK	OK	OK	OK	OK	OK	OK	OK	OK	OK	OK	OK	OK	OK	OK	OK	OK	OK	OK	OK
	Enumerations can also be specified.*1																			

\*1. A CPU Unit with unit version 1.02 or later and Sysmac Studio version 1.03 or higher are required to specify enumerations.

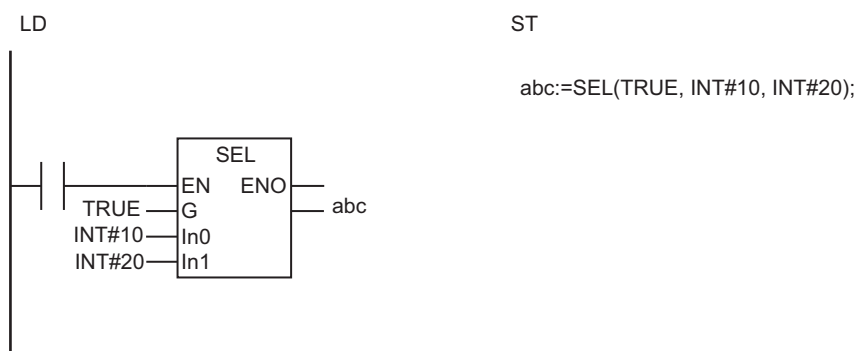
## Function

The SEL instruction selects one of two options, *In0* and *In1* (Selections). Gate *G* specifies which of *In0* and *In1* to select. If *G* is FALSE, *In0* is assigned to *Out*. If it is TRUE, *In1* is assigned.



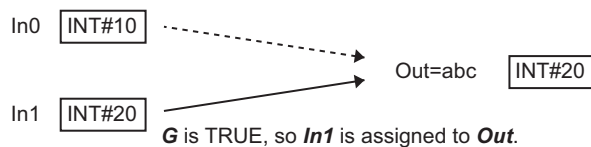
The following shows an example where *In0*, *In1*, and *G* are INT#10, INT#20, and TRUE, respectively.

The value of variable *abc* will be INT#20.



The SEL instruction selects *In0* or *In1*.

*G* is TRUE, so *In1* (INT#20) is selected and assigned to *abc*.



## Additional Information



### Version Information

With a CPU Unit with unit version 1.02 or later and Sysmac Studio version 1.03 or higher, the instruction, *MUX* on page 2-356, can also be used.

The *MUX* instruction selects one of two to five options.

## Precautions for Correct Use

- The data types of *In0*, *In1*, and *Out* may be different, but observe the following precautions.
  - The valid value range of *Out* should accommodate the valid value ranges of *In0* and *In1*.
  - The data types of *In0*, *In1*, and *Out* should be in the same data type category. (i.e., they should not be in different categories, such as bit string and an integer, or an integer and a text string).

# MUX

The MUX instruction selects one of two to five options.

Instruction	Name	FB/ FUN	Graphic expression	ST expression
MUX	Multiplexer	FUN		Out:=MUX(K, In0, In1, ... , InN);

## Variables

	Meaning	I/O	Description	Valid range	Unit	Default
K	Selector	Input	0: Selects <i>In0</i> 1: Selects <i>In1</i> 2: Selects <i>In2</i> 3: Selects <i>In3</i> 4: Selects <i>In4</i>	0 to N	---	*1
In0 to In1	Selections		Selections N is 1 to 4.*2	Depends on data type.		0*3
Out	Selection result	Output	Selection result	Depends on data type.	---	---

\*1. If you omit the input parameter, the default value is not applied. A building error will occur.

\*2. With a CPU Unit with unit version 1.01 or earlier and Sysmac Studio version 1.02 or lower, N is 2 to 4.

\*3. If you omit the input parameter that connects to *InN*, the default value is not applied, and a building error will occur. For example, where N is 2, if the input parameters that connect to *In0* and *In1* are omitted, the default values are applied. But if the input parameter that connects to *In2* is omitted, a building error will occur.

	Boo lean	Bit strings					Integers							Real num- bers		Times, durations, dates, and text strings				
	BOOL	BYTE	WORD	DWORD	LWORD	USINT	UINT	UDINT	ULINT	SINT	INT	DINT	LINT	REAL	LREAL	TIME	DATE	TOD	DT	STRING
K						OK *1			OK *1											
In0 to InN	OK	OK	OK	OK	OK	OK	OK	OK	OK	OK	OK	OK	OK	OK	OK	OK	OK	OK	OK	OK
	Enumerations can also be specified.*2																			
Out	OK	OK	OK	OK	OK	OK	OK	OK	OK	OK	OK	OK	OK	OK	OK	OK	OK	OK	OK	OK
	Enumerations can also be specified.*2																			

\*1. With a CPU Unit with unit version 1.02 or later and Sysmac Studio version 1.03 or higher, use a ULINT variable. With a CPU Unit with unit version 1.01 or earlier and Sysmac Studio version 1.02 or lower, use a USINT variable.

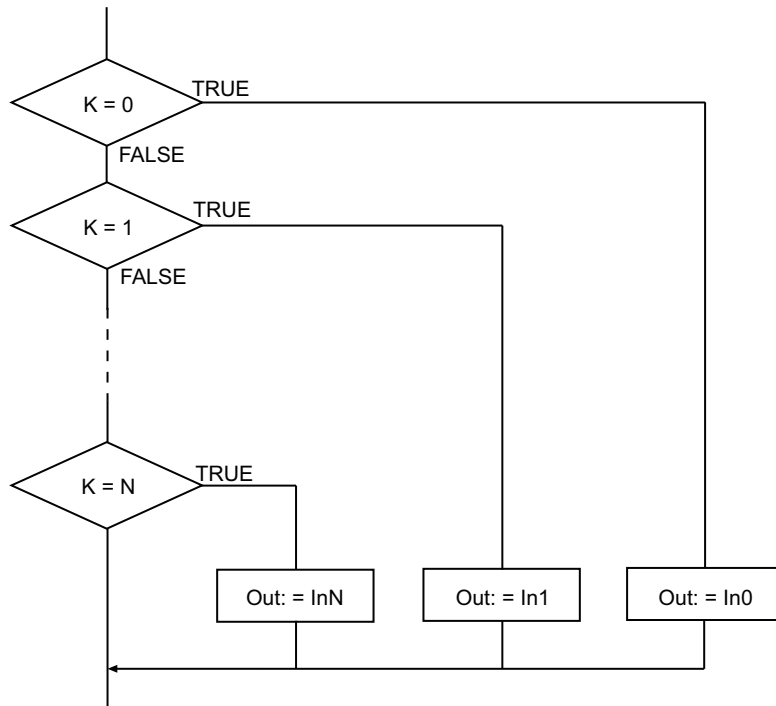
\*2. A CPU Unit with unit version 1.02 or later and Sysmac Studio version 1.03 or higher are required to specify enumerations.

## Function

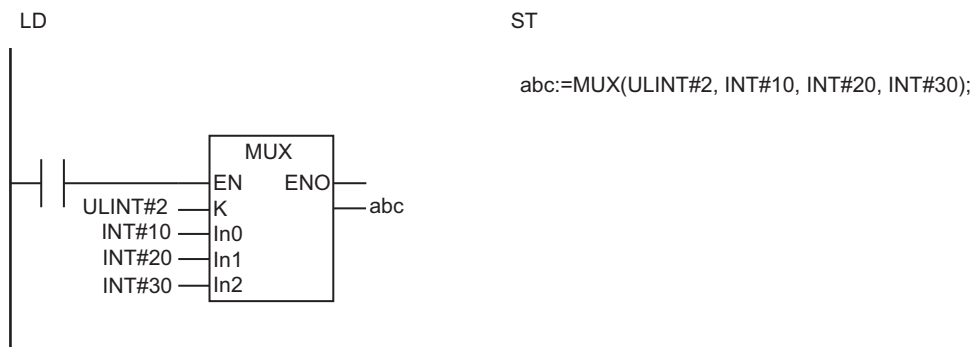
The MUX instruction selects one of two to five options, *In0* to *InN* (Selections).

Selector *K* specifies which of *In0* to *InN* to select.

According to the value of *K*, a value is assigned to *Out*. If *K* is 0, *In0* is assigned. If it is 1, *In1* is assigned, etc.

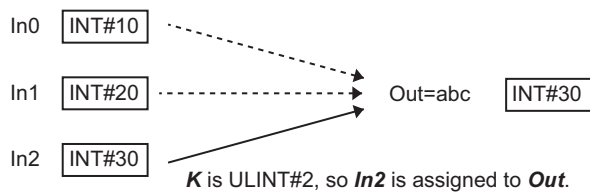


The following shows an example where *In0*, *In1*, *In2*, and *K* are INT#10, INT#20, INT#30, and ULINT#2, respectively. The value of variable *abc* will be INT#30.



The MUX instruction selects from among *In0* to *InN*.

*K* is ULINT#2, so *In2* (INT#30) is selected and assigned to *abc*.



### Precautions for Correct Use

- The data types of *In0* to *InN*, and *Out* may be different, but observe the following precautions.
  - a) The valid value range of *Out* should accommodate the valid value ranges of *In0* to *InN*.
  - b) The data types of *In0* to *InN*, and *Out* should be in the same data type category (i.e., they should not be in different categories such as a bit string and an integer, or an integer and a text string).
- An error will occur in the following case. *ENO* will be FALSE, and *Out* will not change.
  - a) The value of *K* is outside the valid range (i.e., less than 0 or greater than N).



# LIMIT

The LIMIT instruction limits the value of an input variable between the specified minimum and maximum values.

Instruction	Name	FB/ FUN	Graphic expression	ST expression
LIMIT	Limitier	FUN		Out:=LIMIT(MN, In, MX);

## Variables

	Meaning	I/O	Description	Valid range	Unit	Default
MN	Minimum value	Input	Minimum value of limitier	Depends on data type.	---	*1
In	Data to limit		Data to limit			
MX	Maximum value		Maximum value of limitier			
Out	Processing result	Output	Processing result	Depends on data type.	---	---

\*1. If you omit the input parameter, the default value is not applied. A building error will occur.

	Boo lean	Bit strings				Integers								Real num- bers		Times, durations, dates, and text strings				
	BOOL	BYTE	WORD	DWORD	LWORD	USINT	UINT	UDINT	ULINT	SINT	INT	DINT	LINT	REAL	LREAL	TIME	DATE	TOD	DT	STRING
MN						OK	OK	OK	OK	OK	OK	OK	OK	OK	OK					
In						OK	OK	OK	OK	OK	OK	OK	OK	OK	OK					
MX						OK	OK	OK	OK	OK	OK	OK	OK	OK	OK					
Out						OK	OK	OK	OK	OK	OK	OK	OK	OK	OK					

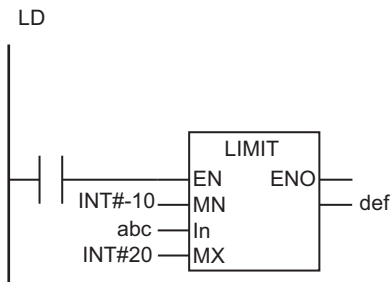
## Function

The LIMIT instruction limits the value of data to limit *In* between the maximum value *MX* and the minimum value *MN*.

The value of processing result *Out* is as shown below.

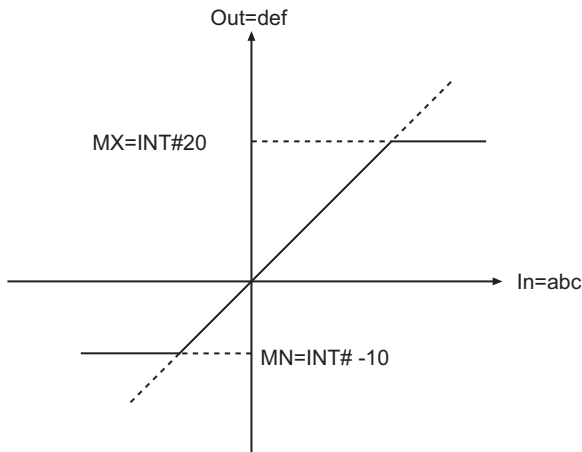
Value of <i>In</i>	Value of <i>Out</i>
$In < MN$	<i>MN</i>
$MN \leq In \leq MX$	<i>In</i>
$MX < In$	<i>MX</i>

The following shows an example where *MN* and *MX* are INT#-10 and INT#20, respectively.



ST

```
def:=LIMIT(INT#-10, abc, INT#20);
```



## Precautions for Correct Use

- The data types of *In*, *MN*, *MX*, and *Out* may be different, but observe the following precautions.
  - a) The valid value range of *Out* should accommodate the valid value ranges of *In*, *MN*, and *MX*.
  - b) Do not combine signed integers (SINT, INT, DINT, and LINT) and unsigned integers (USINT, UINT, UDINT, and ULINT) together for *In*, *MN*, and *MX*.
- An error will occur in the following case. *ENO* will be FALSE, and *Out* will not change.
  - a) The value of *MX* is smaller than the value of *MN*.

# Band

The Band instruction performs deadband control.

Instruction	Name	FB/ FUN	Graphic expression	ST expression
Band	Deadband Control	FUN		Out:=Band(MN, In, MX);

## Variables

	Meaning	I/O	Description	Valid range	Unit	Default
MN	Minimum value	Input	Minimum value of deadband	Depends on data type.	---	*1
In	Data to control		Data to control			
MX	Maximum value		Maximum value of deadband			
Out	Processing result	Output	Processing result	Depends on data type.	---	---

\*1. If you omit the input parameter, the default value is not applied. A building error will occur.

	Boo lean	Bit strings				Integers							Real numbers		Times, durations, dates, and text strings					
	BOOL	BYTE	WORD	DWORD	LWORD	USINT	UINT	UDINT	ULINT	SINT	INT	DINT	LINT	REAL	LREAL	TIME	DATE	TOD	DT	STRING
MN										OK	OK	OK	OK	OK	OK					
In										OK	OK	OK	OK	OK	OK					
MX										OK	OK	OK	OK	OK	OK					
Out										OK	OK	OK	OK	OK	OK					

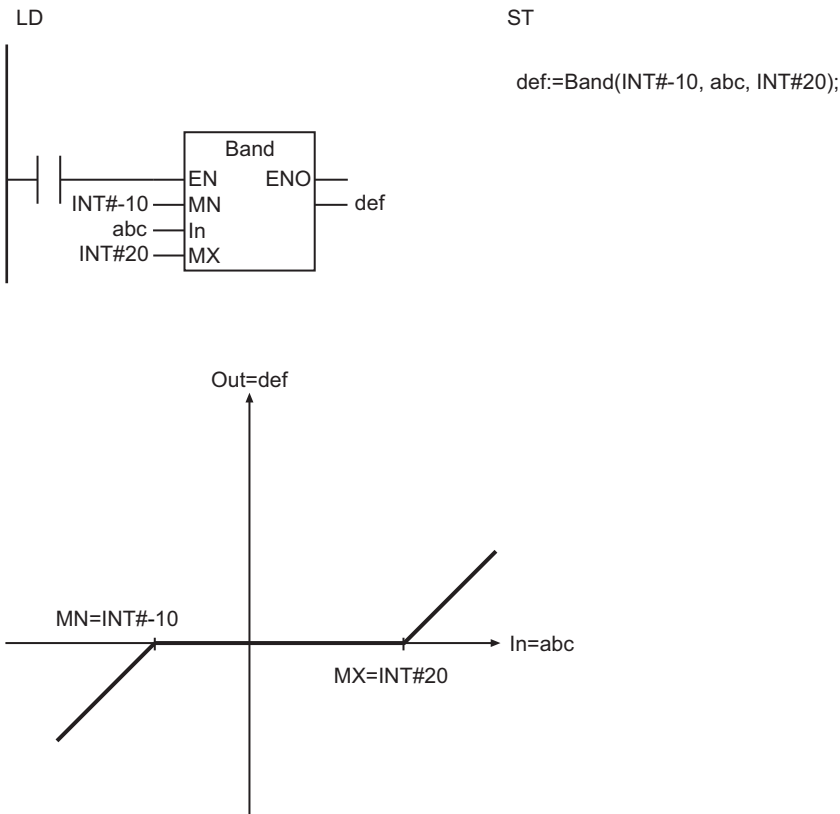
## Function

The Band instruction limits the value of data to control *In* with the maximum value *MX* and the minimum value *MN*.

The value of processing result *Out* is as shown below.

Value of <i>In</i>	Value of <i>Out</i>
$In < MN$	$In - MN$
$MN \leq In \leq MX$	0
$MX < In$	$In - MX$

The following shows an example where *MN* and *MX* are INT#-10 and INT#20, respectively.



### Precautions for Correct Use

- The data types of *In*, *MN*, *MX*, and *Out* may be different, but observe the following precautions.
  - The valid value range of *Out* should accommodate the valid value ranges of *In*, *MN*, and *MX*.
- If the value of *In* is nonnumeric data, the value of *Out* is nonnumeric data.
- If the values of *In*, *MN*, and *MX* are positive infinity or negative infinity, the value of *Out* is as shown below.

Value of <i>In</i>	Value of <i>MN</i>	Value of <i>MX</i>	Value of <i>Out</i>
+ ∞	+ ∞	+ ∞	0
		- ∞	Error
	- ∞	+ ∞	0
		- ∞	+ ∞
- ∞	+ ∞	+ ∞	- ∞
		- ∞	Error
	- ∞	+ ∞	0
		- ∞	0

- An error will occur in the following cases. *ENO* will be FALSE, and *Out* will not change.
  - The value of *MX* is smaller than the value of *MN*.
  - Either *MX* or *MN* contains nonnumeric data.
  - The result exceeds the valid range of *Out*.

# Zone

The Zone instruction adds a bias value to the input value.

Instruction	Name	FB/ FUN	Graphic expression	ST expression
Zone	Dead Zone Control	FUN		Out:=Zone(BiasN, In, BiasP);

## Variables

	Meaning	I/O	Description	Valid range	Unit	Default
BiasN	Negative bias	Input	Negative bias	Depends on data type.	---	*1
In	Data to control		Data to control			
BiasP	Positive bias		Positive bias			
Out	Processing result	Output	Processing result	Depends on data type.	---	---

\*1. If you omit the input parameter, the default value is not applied. A building error will occur.

	Boo lean	Bit strings					Integers							Real num- bers		Times, durations, dates, and text strings				
	BOOL	BYTE	WORD	DWORD	LWORD	USINT	UINT	UDINT	ULINT	SINT	INT	DINT	LINT	REAL	LREAL	TIME	DATE	TOD	DT	STRING
BiasN										OK	OK	OK	OK	OK	OK					
In										OK	OK	OK	OK	OK	OK					
BiasP										OK	OK	OK	OK	OK	OK					
Out										OK	OK	OK	OK	OK	OK					

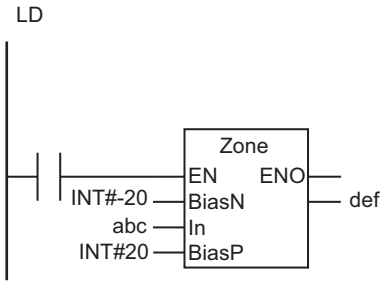
## Function

The Zone instruction controls the value of data to control *In* according to the positive bias *BiasP* and the negative bias *BiasN*.

The value of processing result *Out* is as shown below.

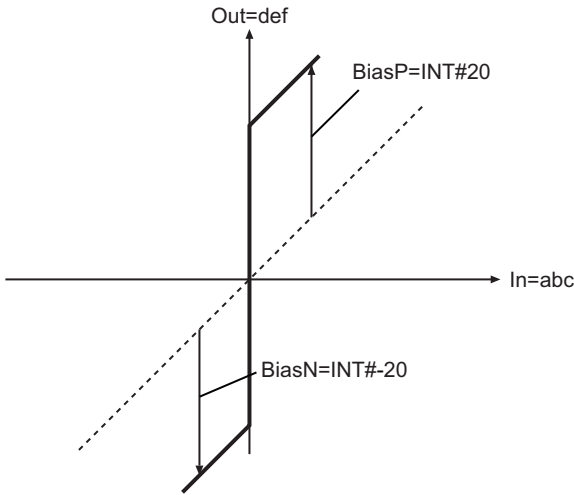
Value of <i>In</i>	Value of <i>Out</i>
$In < 0$	$In + BiasN$
$In = 0$	0
$0 < In$	$In + BiasP$

The following shows an example where *BiasP* and *BiasN* are INT#20 and INT#-20, respectively.



ST

```
def:=Zone(INT#-20, abc, INT#20);
```



### Precautions for Correct Use

- The data types of *In*, *BiasP*, *BiasN*, and *Out* may be different, but observe the following precautions.
  - The valid value range of *Out* should accommodate the valid value ranges of *In*, *BiasP*, and *BiasN*.
- If the value of *In* is nonnumeric data, the value of *Out* is nonnumeric data.
- If the values of *In*, *BiasP*, and *BiasN* are positive infinity or negative infinity, the value of *Out* is as shown below.

Value of <i>In</i>	Value of <i>BiasP</i>	Value of <i>BiasN</i>	Value of <i>Out</i>
+ ∞	+ ∞	+ ∞	+ ∞
		- ∞	+ ∞
	- ∞	+ ∞	Error
		- ∞	0
- ∞	+ ∞	+ ∞	0
		- ∞	- ∞
	- ∞	+ ∞	Error
		- ∞	- ∞

- An error will occur in the following cases. *ENO* will be FALSE, and *Out* will not change.
  - BiasP* is less than *BiasN*.
  - Either *BiasP* or *BiasN* contains nonnumeric data.
  - The result exceeds the valid range of *Out*.

# MAX and MIN

MAX : Finds the largest of two to five values.

MIN : Finds the smallest of two to five values.

Instruction	Name	FB/ FUN	Graphic expression	ST expression
MAX	Maximum	FUN		Out:=MAX(In1, In2, ..., InN);
MIN	Minimum	FUN		Out:=MIN(In1, In2, ..., InN);

## Variables

	Meaning	I/O	Description	Valid range	Unit	Default
In1 to InN	Data to process	Input	Data to process, where N is 2 to 5	Depends on data type.	---	0*1
Out	Search result	Output	Search result	Depends on data type.	---	---

\*1. If you omit the input parameter that connects to *InN*, the default value is not applied, and a building error will occur. For example, where N is 3, if the input parameters that connect to *In1* and *In2* are omitted, the default values are applied. But if the input parameter that connects to *In3* is omitted, a building error will occur.

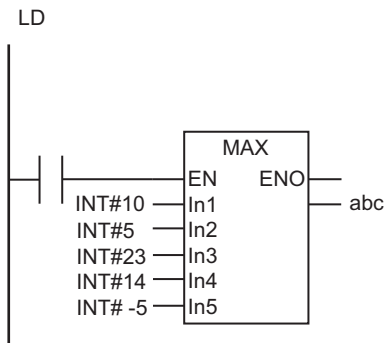
	Boo lean	Bit strings					Integers							Real num bers		Times, durations, dates, and text strings				
	BOOL	BYTE	WORD	DWORD	LWORD	USINT	UINT	UDINT	ULINT	SINT	INT	DINT	LINT	REAL	LREAL	TIME	DATE	TOD	DT	STRING
In1 to InN						OK	OK	OK	OK	OK	OK	OK	OK	OK	OK					
Out						OK	OK	OK	OK	OK	OK	OK	OK	OK	OK					

## Function

### MAX

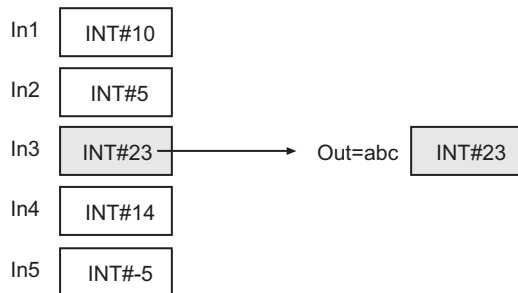
The MAX instruction finds the largest value of two to five data to process, *In1* to *InN*.

The following shows an example where *In1*, *In2*, *In3*, *In4*, and *In5* are INT#10, INT#5, INT#23, INT#14, and INT#-5, respectively.



ST

```
abc:=MAX(INT#10, INT#5, INT#23, INT#14, INT#-5);
```



## MIN

The MIN instruction finds the smallest value of two to five data to process, *In1* to *InN*.

## Additional Information

To find the largest or smallest of six or more values, use *AryMax* and *AryMin* on page 2-367.

## Precautions for Correct Use

- The data types of *In1* to *InN*, and *Out* may be different, but observe the following precautions.
  - a) The valid value range of *Out* should accommodate the valid value ranges of *In1* to *InN*.
  - b) Do not combine signed integers (SINT, INT, DINT, and LINT) and unsigned integers (USINT, UINT, UDINT, and ULINT) together for *In1* to *InN*.
- If *In1* to *InN* contain real numbers, desired results may not be returned due to error.



# AryMax and AryMin

AryMax : Finds elements with the largest value in a one-dimensional array.

AryMin : Finds elements with the smallest value in a one-dimensional array.

Instruction	Name	FB/ FUN	Graphic expression	ST expression
AryMax	Array Maximum	FUN		Out:=AryMax(In, Size, InOutPos, Num);
AryMin	Array Minimum	FUN		Out:=AryMin(In, Size, InOutPos, Num);

## Variables

	Meaning	I/O	Description	Valid range	Unit	Default
In[] (array)	Array to search	Input	Array to search	Depends on data type.	---	*1
Size	Number of elements to search		Number of elements in In[] to search			1
InOutPos	Found element number	In-out	Array element number where value was found	Depends on data type.	---	---
Out	Search result	Output	Search result	Depends on data type.	---	---
Num	Number found		Number found			

\*1. If you omit the input parameter, the default value is not applied. A building error will occur.

	Boo lean	Bit strings				Integers							Real num bers		Times, durations, dates, and text strings					
	BOOL	BYTE	WORD	DWORD	LWORD	USINT	UINT	UDINT	ULINT	SINT	INT	DINT	LINT	REAL	LREAL	TIME	DATE	TOD	DT	STRING
In[] (array)						OK	OK	OK	OK	OK	OK	OK	OK	OK	OK	OK *1	OK *1	OK *1	OK *1	OK *1
Size							OK													
InOutPos							OK													
Out						OK	OK	OK	OK	OK	OK	OK	OK	OK	OK	OK *1	OK *1	OK *1	OK *1	OK *1
Num							OK													

\*1. You can specify TIME, DATE, TOD, DT, and STRING data with CPU Units with unit version 1.01 or later and Sysmac Studio version 1.02 or higher.

## Function

These instructions search *Size* elements in array to search *In*[], which starts from *In*[0].

The search result value is assigned to *Out*, the element number where the value is found is assigned to *InOutPos*, and the number of times that the value is found is assigned to *Num*.

If *Num* is greater than 1, the lowest number of the elements where the search result value is found is assigned to *InOutPos*.

Other data types than integer and real number are handled as below.

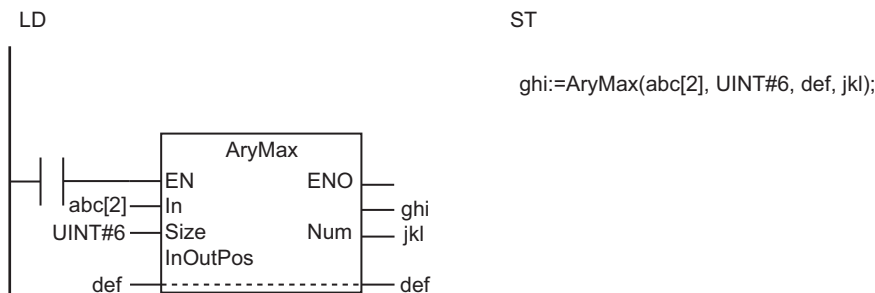
Data type	Description
TIME	The numerically larger value is considered to be larger.
DATE, TOD, or DT	Later date or time of day is considered to be larger.
STRING	The specifications are the same as for the instructions, <i>LTascii</i> , <i>LEascii</i> , <i>GTascii</i> , and <i>GEascii</i> on page 2-115. Refer to the specified page for details.

## AryMax

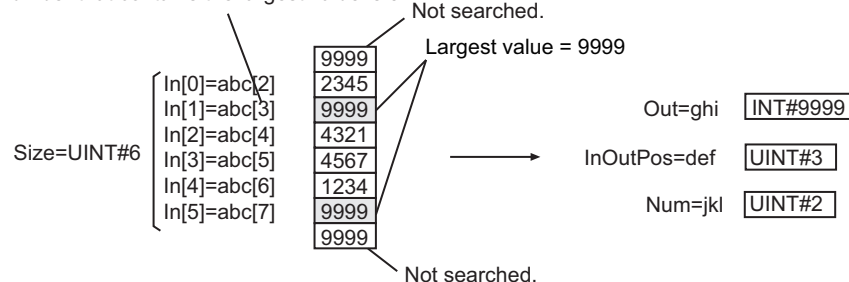
The AryMax instruction finds the largest value.

The following example shows the AryMax instruction when *Size* is *UINT#6*.

The input parameter that is passed to *In*[] is *abc*[2], so the search starts from *abc*[2].



The lowest element number that contains the largest value is 3.



## AryMin

The AryMin instruction finds the smallest value.

## Additional Information

When you compare TIME, DT, or TOD data, adjust the value precision so that values of those data types can be compared based on the same precision.

You can use the following instructions to adjust the accuracy: *TruncTime* on page 2-702, *TruncDt* on page 2-706, and *TruncTod* on page 2-710.

## Precautions for Correct Use

- If the data types of *In[]* and *Out* are different, make sure that the valid value range of *Out* accommodates the valid value range of *In[]*.
- If *In[]* contains a real number, a desired result may not be returned due to error.
- Always use a one-dimensional array for *In[]*.
- If the value of *Size* is 0, the values of *Out* and *Num* are 0. The value of *InOutPos* does not change.
- If *In[]* contains STRING data and the value of *Size* is 0, *Out* contains only null characters.
- An error will occur in the following cases. *ENO* will be FALSE, and *Out* will not change.
  - a) The value of *Size* is outside the valid range.
  - b) The value of *Size* exceeds the array area of *In[]*.
  - c) *In[]* is not a one-dimensional array.
  - d) *In[]* is STRING data and it does not end in a NULL character.

# ArySearch

The ArySearch instruction searches for the specified value in a one-dimensional array.

Instruction	Name	FB/ FUN	Graphic expression	ST expression
ArySearch	Array Search	FUN		Out:=ArySearch(In, Size, Key, In- OutPos, Num);

## Variables

	Meaning	I/O	Description	Valid range	Unit	Default
In[] (array)	Array to search	Input	Array to search	Depends on data type.	---	*1
Size	Number of elements to search		Number of elements in In[] to search			1
Key	Search key		Value to search for	Depends on data type.		*1
InOutPos	Found element number	In-out	Array element number where the value was found	Depends on data type.	---	---
Out	Search result	Output	Search result	Depends on data type.	---	---
Num	Number found		Number found			

\*1. If you omit the input parameter, the default value is not applied. A building error will occur.

	Boo lean	Bit strings				Integers							Real num- bers		Times, durations, dates, and text strings					
	BOOL	BYTE	WORD	DWORD	LWORD	USINT	UINT	UDINT	ULINT	SINT	INT	DINT	LINT	REAL	LREAL	TIME	DATE	TOD	DT	STRING
In[] (array)	OK	OK	OK	OK	OK	OK	OK	OK	OK	OK	OK	OK	OK	OK	OK	OK *1	OK *1	OK *1	OK *1	OK
Size							OK													
Key	Must be the same data type as the elements of In[].																			
InOutPos							OK													
Out	OK																			
Num							OK													

\*1. You can specify TIME, DATE, TOD, and DT data with CPU Units with unit version 1.01 or later and Sysmac Studio version 1.02 or higher.

## Function

The ArySearch instruction searches *Size* elements of one-dimensional array to search In[] for elements with the same value as search key *Key*. The search starts from In[0].

The values of search result *Out*, found element number *InOutPos*, and number found *Num* are as follows.

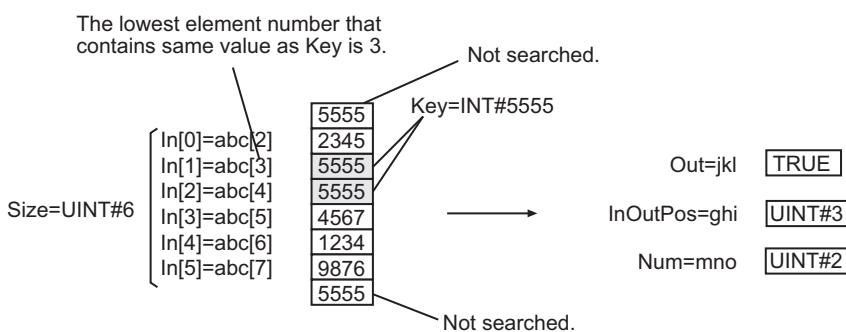
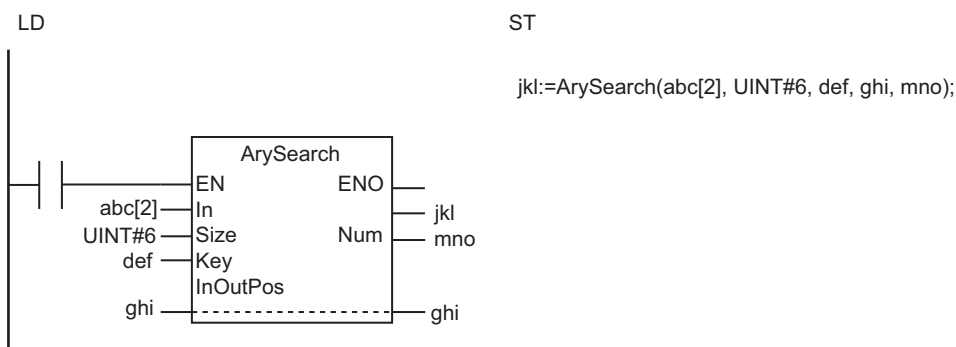
Element with the same value as Key	Out	InOutPos	Num
Exists.	TRUE	Lowest element number that contains the same value as Key	Number of elements with the same value as Key
Does not exist.	FALSE	Does not change.	0

Other data types than integer and real number are handled as below.

Data type	Description
TIME	The numerically larger value is considered to be larger.
DATE, TOD, or DT	Later date or time of day is considered to be larger.

The following shows an example where *Size* is UINT#6.

The input parameter that is passed to In[] is abc[2], so the search starts from abc[2].



## Additional Information

When you compare TIME, DT, or TOD data, adjust the value precision so that values of those data types can be compared based on the same precision.

You can use the following instructions to adjust the accuracy: *TruncTime* on page 2-702, *TruncDt* on page 2-706, and *TruncTod* on page 2-710.

### Precautions for Correct Use

- Always use a one-dimensional array for *In[]*.
- Make sure that *Key* has the same data type as the elements of *In[]*.
- If the value of *Size* is 0, the values of *Out* and *Num* are 0. The value of *InOutPos* does not change.
- Always use a variable for the input parameter to pass to *Key*. A building error will occur if a constant is passed.
- If *Key* is an enumeration, you cannot directly pass an enumerator to it. A building error will occur if an enumerator is passed directly.
- An error will occur in the following cases. *ENO* will be FALSE, and *Out*, *Num*, and *InOutPos* will not change.
  - a) The value of *Size* exceeds the array area of *In[]*.
  - b) *In[]* is STRING data and it does not end in a NULL character.
  - c) *In[]* is not a one-dimensional array.

# Data Movement Instructions

Instruction	Name	Page
MOVE	Move	page 2-374
MoveBit	Move Bit	page 2-377
MoveDigit	Move Digit	page 2-379
TransBits	Move Bits	page 2-381
MemCopy	Memory Copy	page 2-383
SetBlock	Block Set	page 2-385
Exchange	Data Exchange	page 2-387
AryExchange	Array Data Exchange	page 2-389
AryMove	Array Move	page 2-391
Clear	Initialize	page 2-393
Copy**ToNum (Bit String to Signed Integer)	Bit Pattern Copy (Bit String to Signed Integer) Group	page 2-395
Copy**To*** (Bit String to Real Number)	Bit Pattern Copy (Bit String to Real Number) Group	page 2-397
CopyNumTo** (Signed Integer to Bit String)	Bit Pattern Copy (Signed Integer to Bit String) Group	page 2-399
CopyNumTo** (Signed Integer to Real Number)	Bit Pattern Copy (Signed Integer to Real Number) Group	page 2-401
Copy**To*** (Real Number to Bit String)	Bit Pattern Copy (Real Number to Bit String) Group	page 2-403
Copy**ToNum (Real Number to Signed Integer)	Bit Pattern Copy (Real Number to Signed Integer) Group	page 2-405

# MOVE

The MOVE instruction moves the value of a constant or variable to another variable.

Instruction	Name	FB/ FUN	Graphic expression	ST expression
MOVE	Move	FUN		Out:=In;

## Variables

	Meaning	I/O	Description	Valid range	Unit	Default
In	Move source	Input	Move source	Depends on data type.	---	*1
Out	Move destination	Output	Move destination	Depends on data type.	---	*1

\*1. If you omit the input parameter, the default value is not applied. A building error will occur.

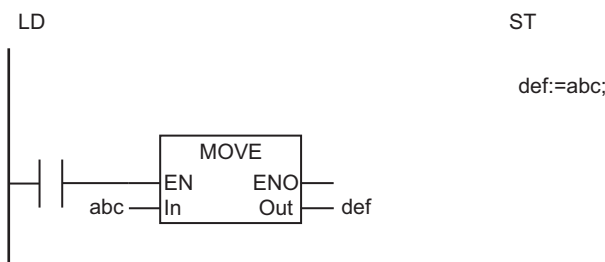
	Boo lean	Bit strings					Integers							Real num- bers		Times, durations, dates, and text strings					
	BOOL	BYTE	WORD	DWORD	LWORD	USINT	UINT	UDINT	ULINT	SINT	INT	DINT	LINT	REAL	LREAL	TIME	DATE	TOD	DT	STRING	
In	OK	OK	OK	OK	OK	OK	OK	OK	OK	OK	OK	OK	OK	OK	OK	OK	OK	OK	OK	OK	OK
	An enumeration, array, array element, structure, or structure member can also be specified.																				
Out	OK	OK	OK	OK	OK	OK	OK	OK	OK	OK	OK	OK	OK	OK	OK	OK	OK	OK	OK	OK	OK
	Must be the same data type as <i>In</i> if <i>In</i> is an enumeration, array element, structure, or structure member. Must be an array with the same data type, size and subscripts as <i>In</i> if <i>In</i> is an array.																				

## Function

The MOVE instruction moves the value in move source *In* to move destination *Out*.

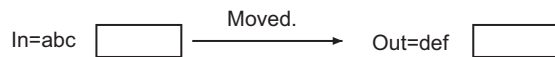
The input parameter that is passed to *In* can be a variable or constant. You can specify an enumeration, array, array element, structure, or structure member for *In*.

The following figure shows a programming example. The content of variable *abc* is moved to variable *def*.





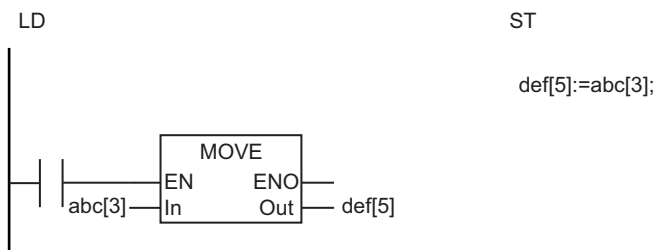
The MOVE instruction moves the value of *In* to *Out*.



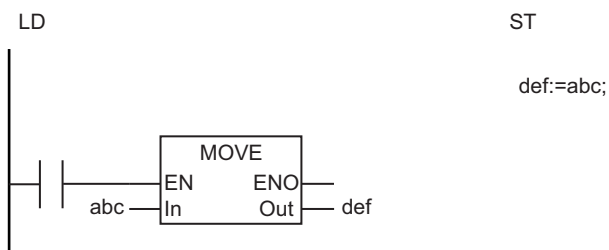
## Additional Information

- When moving an array, you can move either one element or all of the elements in the array. To move only one element, add the subscript to the array variable name. To move the entire array, do not add the subscript to the array variable name.

Moving One Array Element

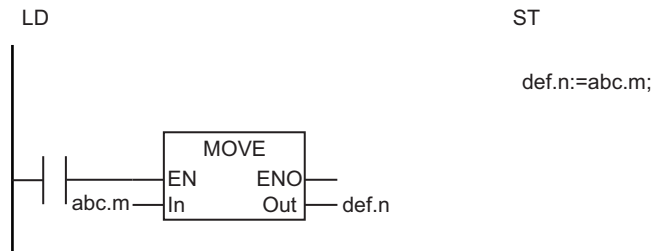


Moving All Array Elements

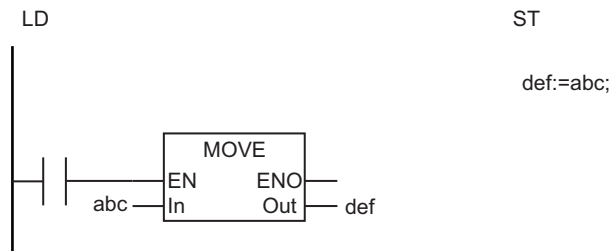


- When moving a structure, you can move either one member or all of the members in the structure. To move only one member, specify the member. To move the entire structure, give only the structure name.

### Moving One Member of a Structure



### Moving the Entire Structure



- You can use the MemCopy instruction to move an entire array faster than with the MOVE instruction.

## Precautions for Correct Use

- The data types of *In* and *Out* can be different as long as they are in the same data type group as shown below. The valid range of *Out* must include the valid range of *In*.
  - BYTE, WORD, DWORD, and LWORD
  - USINT, UINT, UDINT, ULINT, SINT, INT, DINT, LINT, REAL, and LREAL
- If *In* is an enumeration, array element, structure, or structure member, *Out* must have the same data type as *In*.
- If *In* is an array, an array of the same data type, size, and subscripts as *In* must be used for *Out*.

# MoveBit

The MoveBit instruction moves one bit in a bit string.

Instruction	Name	FB/ FUN	Graphic expression	ST expression
MoveBit	Move Bit	FUN		MoveBit(In, InPos, InOut, InOutPos);

## Variables

	Meaning	I/O	Description	Valid range	Unit	Default
In	Move source	Input	Move source	Depends on data type.	---	*1
InPos	Move source bit		Source bit position in <i>In</i>	0 to the number of bits in <i>In</i> - 1		0
InOutPos	Move destination bit		Destination bit position in <i>InOut</i>	0 to the number of bits in <i>InOut</i> - 1		0
InOut	Move destination	In-out	Move destination	Depends on data type.	---	---
Out	Return value	Output	Always TRUE	TRUE only	---	---

\*1. If you omit the input parameter, the default value is not applied. A building error will occur.

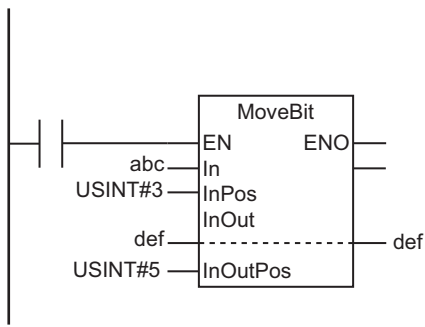
	Boo lean	Bit strings				Integers							Real num bers		Times, durations, dates, and text strings					
	BOOL	BYTE	WORD	DWORD	LWORD	USINT	UINT	UDINT	ULINT	SINT	INT	DINT	LINT	REAL	LREAL	TIME	DATE	TOD	DT	STRING
In		OK	OK	OK	OK															
InPos						OK														
InOutPos						OK														
InOut		OK	OK	OK	OK															
Out	OK																			

## Function

The MoveBit instruction moves one bit from the source bit position *InPos* in move source *In* to the destination bit position *InOutPos* in move destination *InOut*.

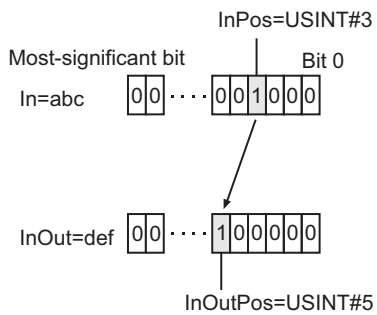
The following shows an example where *InPos* is USINT#3 and *InOutPos* is USINT#5.

LD



ST

```
MoveBit(abc, USINT#3, def, USINT#5);
```



### Precautions for Correct Use

- Return value *Out* is not used when this instruction is used in ST.
- An error will occur in the following cases. *ENO* will be FALSE, and *InOut* will not change.
  - a) The value of *InPos* is outside the valid range.
  - b) The value of *InOutPos* is outside the valid range.

# MoveDigit

The MoveDigit instruction moves digits (4 bits per digit) in a bit string.

Instruction	Name	FB/ FUN	Graphic expression	ST expression
MoveDigit	Move Digit	FUN		MoveDigit(In, InPos, InOut, InOutPos, Size);

## Variables

	Meaning	I/O	Description	Valid range	Unit	Default
In	Move source	Input	Move source	Depends on data type.	---	*1
InPos	Move source digit		Source digit position in <i>In</i>	0 to the number of bits in $In/4 - 1$		0
InOutPos	Move destination digit		Destination digit position in <i>InOut</i>	0 to the number of bits in $InOut/4 - 1$		1
Size	Number of digits		Number of digits to move	0 to the number of bits in $In/4$		---
InOut	Move destination	In-out	Move destination	Depends on data type.	---	---
Out	Return value	Output	Always TRUE	TRUE only	---	---

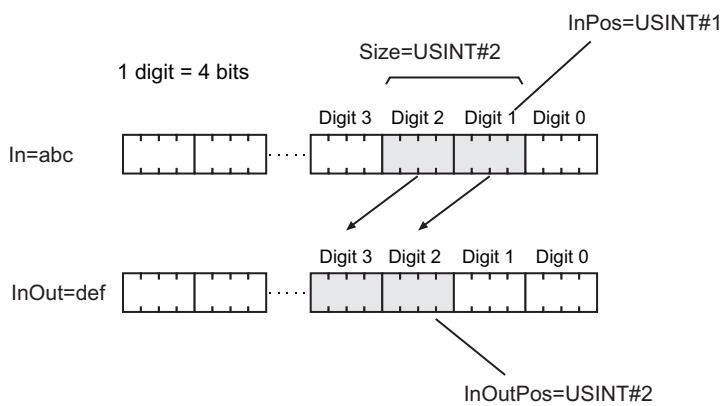
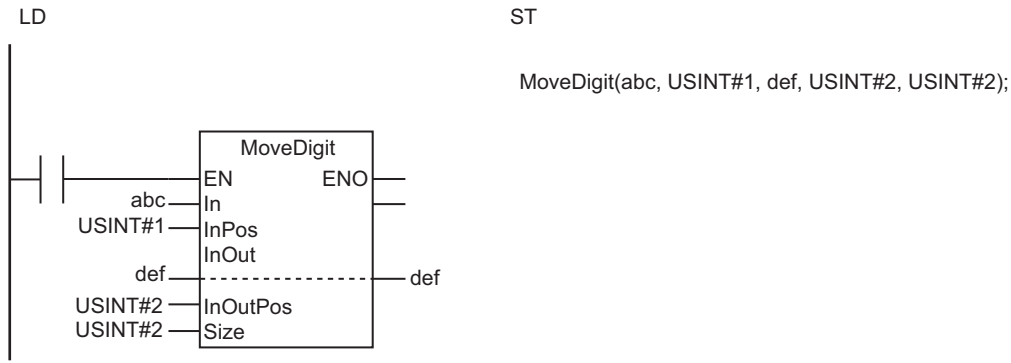
\*1. If you omit the input parameter, the default value is not applied. A building error will occur.

	Boo lean	Bit strings					Integers							Real num bers		Times, durations, dates, and text strings				
	BOOL	BYTE	WORD	DWORD	LWORD	USINT	UINT	UDINT	ULINT	SINT	INT	DINT	LINT	REAL	REAL	TIME	DATE	TOD	DT	STRING
In		OK	OK	OK	OK															
InPos						OK														
InOutPos						OK														
Size						OK														
InOut		OK	OK	OK	OK															
Out	OK																			

## Function

The MoveDigit instruction moves *Size* digits from the source digit position *InPos* in move source *In* to the destination digit position *InOutPos* in move destination *InOut*. One digit represents four bits.

The following shows an example where *InPos* is USINT#1, *InOutPos* is USINT#2, and *Size* is USINT#2.



### Precautions for Correct Use

- If the position of the digit at the destination exceeds the most-significant digit of *InOut*, the remaining digits are stored in the least-significant digits of *InOut*.
- If the position of the digit at the source exceeds the most-significant digit of *In*, the remaining digits are moved to the least-significant digits of *In*.
- If the value of *Size* is 0, the value of *Out* will be TRUE and *InOut* will not change.
- Return value *Out* is not used when this instruction is used in ST.
- An error will occur in the following cases. *ENO* will be FALSE, and *InOut* will not change.
  - a) The value of *InPos* is outside the valid range.
  - b) The value of *InOutPos* is outside the valid range.
  - c) The value of *Size* is outside the valid range.

# TransBits

The TransBits instruction moves one or more bits in a bit string.

Instruction	Name	FB/ FUN	Graphic expression	ST expression
TransBits	Move Bits	FUN		TransBits(In, InPos, InOut, InOutPos, Size);

## Variables

	Meaning	I/O	Description	Valid range	Unit	Default
In	Move source	Input	Move source	Depends on data type.	---	*1
InPos	Move source bit		Source bit position in <i>In</i>	0 to the number of bits in <i>In</i> - 1		0
InOutPos	Move destination bit		Destination bit position in <i>InOut</i>	0 to the number of bits in <i>InOut</i> - 1		1
Size	Number of bits		Number of bits to move	0 to the number of bits in <i>In</i>		---
InOut	Move destination	In-out	Move destination	Depends on data type.	---	---
Out	Return value	Output	Always TRUE	TRUE only	---	---

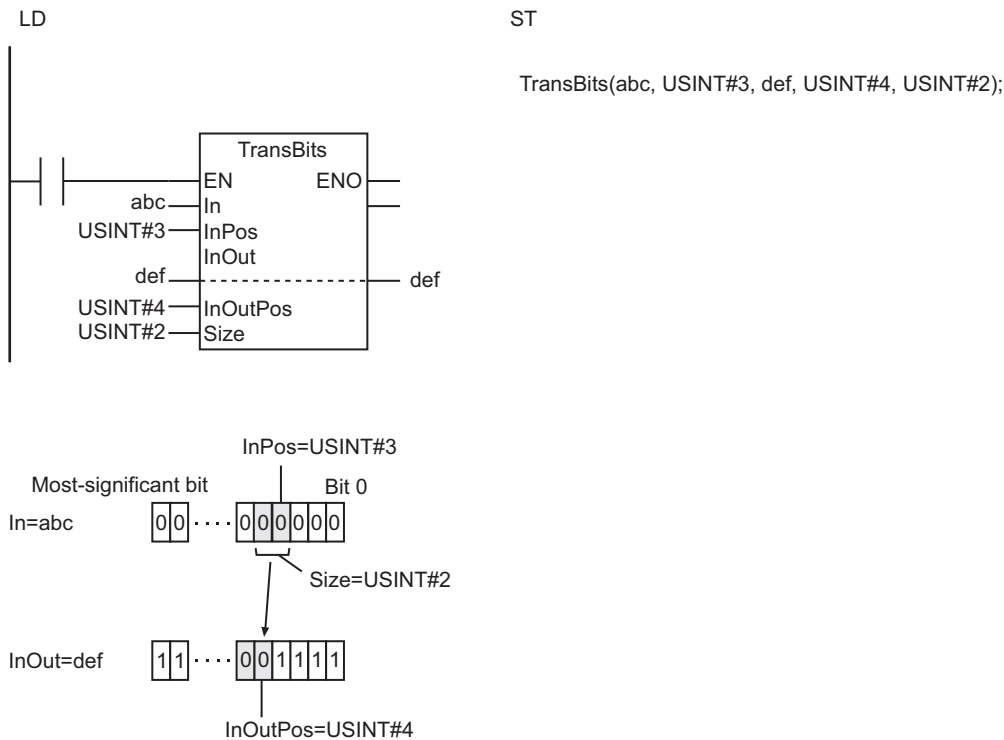
\*1. If you omit the input parameter, the default value is not applied. A building error will occur.

	Boo lean	Bit strings					Integers							Real num bers		Times, durations, dates, and text strings				
	BOOL	BYTE	WORD	DWORD	LWORD	USINT	UINT	UDINT	ULINT	SINT	INT	DINT	LINT	REAL	LREAL	TIME	DATE	TOD	DT	STRING
In		OK	OK	OK	OK															
InPos						OK														
InOutPos						OK														
Size						OK														
InOut		OK	OK	OK	OK															
Out	OK																			

## Function

The TransBits instruction moves *Size* bits from the source bit position *InPos* in move source *In* to the destination bit position *InOutPos* in move destination *InOut*.

The following shows an example where *InPos* is USINT#3, *InOutPos* is USINT#4, and *Size* is USINT#2.



## Additional Information

The bits in the move source and move destination can overlap.

## Precautions for Correct Use

- Set the instruction so that the positions of the bits at the source and destination do not exceed the most-significant bit in *In* or *InOut*. Otherwise an error will occur and the instruction will not operate.
- Nothing is moved if the value of *Size* is 0.
- The bits in *InOut* that are not involved in the move operation do not change.
- Return value *Out* is not used when this instruction is used in ST.
- An error will occur in the following cases. *ENO* will be FALSE, and *InOut* will not change.
  - a) The value of *InPos* is outside the valid range.
  - b) The value of *InOutPos* is outside the valid range.
  - c) The value of *Size* is outside the valid range.
  - d) The value of *InPos* or *Size* exceeds the number of bits in *In*.
  - e) The value of *InOutPos* or *Size* exceeds the number of bits in *InOut*.



# MemCopy

The MemCopy instruction moves one or more array elements. The move source and move destination must have the same data type.

Instruction	Name	FB/ FUN	Graphic expression	ST expression
MemCopy	Memory Copy	FUN		MemCopy(In, AryOut, Size);

## Variables

	Meaning	I/O	Description	Valid range	Unit	Default
In[] (array)	Move source array	Input	Move source array	Depends on data type.	---	*1
Size	Number of elements		Number of array elements to move			1
AryOut[] (array)	Move destination array	In-out	Move destination array	Depends on data type.	---	---
Out	Return value	Output	Always TRUE	TRUE only	---	---

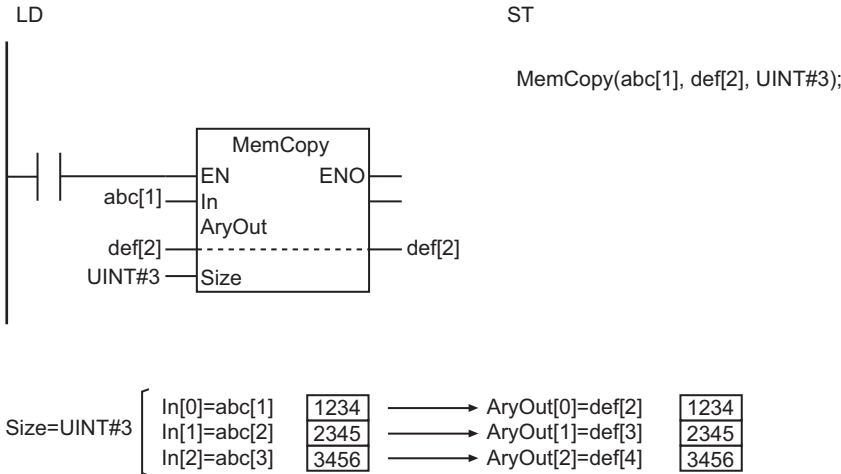
\*1. If you omit the input parameter, the default value is not applied. A building error will occur.

	Boo lean	Bit strings					Integers							Real num bers		Times, durations, dates, and text strings					
	BOOL	BYTE	WORD	DWORD	LWORD	USINT	UINT	UDINT	ULINT	SINT	INT	DINT	LINT	REAL	LREAL	TIME	DATE	TOD	DT	STRING	
In[] (array)	OK	OK	OK	OK	OK	OK	OK	OK	OK	OK	OK	OK	OK	OK	OK	OK	OK	OK	OK	OK	
	Arrays of enumerations or structures can also be specified.																				
Size							OK														
AryOut[] (array)	Must be an array with the same data type as In[].																				
Out	OK																				

## Function

The MemCopy instruction moves *Size* elements of move source array In[] starting from In[0] to move destination array AryOut[] starting from AryOut[0].

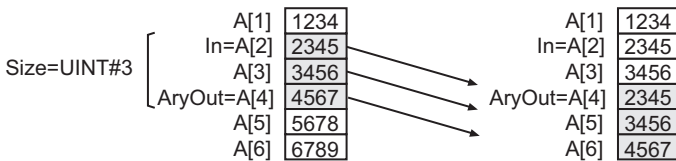
The following shows an example where *Size* is UINT#3.



### Additional Information

- You can specify different positions in the same array for `In[]` and `AryOut[]`. The source and destination data can overlap.

The following example is for when `In` is `A[2]`, `AryOut` is `A[4]`, and `Size` is `UINT#3`.



- Use the instruction, *AryMove* on page 2-391, if the source and destination have different data types.
- If the source and destination have the same data type, this instruction is faster than the *AryMove* instruction.
- Use the instruction, *MOVE* on page 2-374, to move variables that are not arrays.

### Precautions for Correct Use

- Use the same data type for `In[]` and `AryOut[]`. If they are different, a building error will occur.
- If `In[]` and `AryOut[]` are `STRING` arrays, their sizes must be the same.
- If the value of `Size` is 0, the value of `Out` will change to `TRUE` and `AryOut[]` will not change.
- Return value `Out` is not used when this instruction is used in `ST`.
- An error will occur in the following cases. `ENO` will be `FALSE`, and `AryOut[]` will not change.
  - `Size` exceeds the array area of `In[]`.
  - `Size` exceeds the array area of `AryOut[]`.

# SetBlock

The SetBlock instruction moves the value of a variable or constant to one or more array elements.

Instruction	Name	FB/ FUN	Graphic expression	ST expression
SetBlock	Block Set	FUN		SetBlock(In, AryOut, Size);

## Variables

	Meaning	I/O	Description	Valid range	Unit	Default
In	Move source	Input	Move source	Depends on data type.	---	*1
Size	Number of elements		Number of array elements to move			1
AryOut[] (array)	Move destination array	In-out	Move destination array	Depends on data type.	---	---
Out	Return value	Output	Always TRUE	TRUE only	---	---

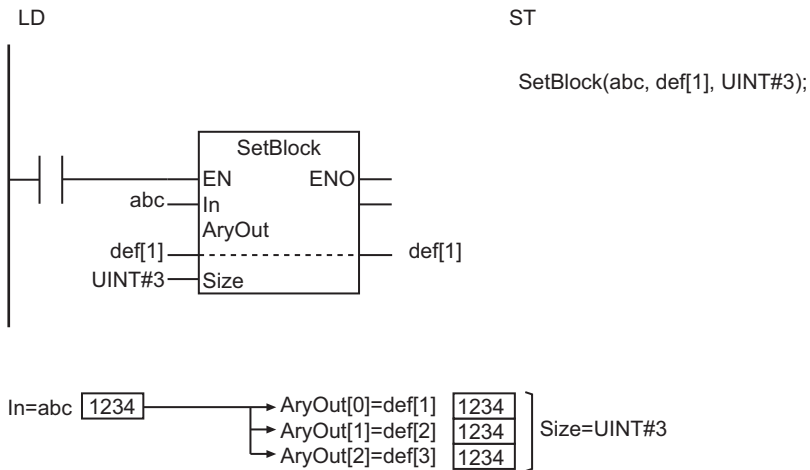
\*1. If you omit the input parameter, the default value is not applied. A building error will occur.

	Boo lean	Bit strings				Integers							Real num- bers		Times, durations, dates, and text strings					
	BOOL	BYTE	WORD	DWORD	LWORD	USINT	UINT	UDINT	ULINT	SINT	INT	DINT	LINT	REAL	LREAL	TIME	DATE	TOD	DT	STRING
In	OK	OK	OK	OK	OK	OK	OK	OK	OK	OK	OK	OK	OK	OK	OK	OK	OK	OK	OK	OK
	An enumeration, structure, or structure member can also be specified.																			
Size							OK													
AryOut[] (array)	Must be an array with elements that have the same data type as <i>In</i> .																			
Out	OK																			

## Function

The SetBlock instruction moves the value of move source *In* to *Size* elements in move destination array AryOut[] starting from AryOut[0].

The following shows an example where *Size* is UINT#3.



### Precautions for Correct Use

- Use the same data type for *In* and *AryOut*[]. If they are different, a building error will occur.
- If *In* and *AryOut*[] are STRING data, their sizes must be the same.
- If the value of *Size* is 0, the value of *Out* will be TRUE and *AryOut*[] will not change.
- Return value *Out* is not used when this instruction is used in ST.
- An error will occur in the following case. *ENO* will be FALSE, and *AryOut*[] will not change.
  - a) The value of *Size* exceeds the array area of *AryOut*[].

# Exchange

The Exchange instruction exchanges the values of two variables.

Instruction	Name	FB/ FUN	Graphic expression	ST expression
Exchange	Data Exchange	FUN		Exchange(InOut1, InOut2);

## Variables

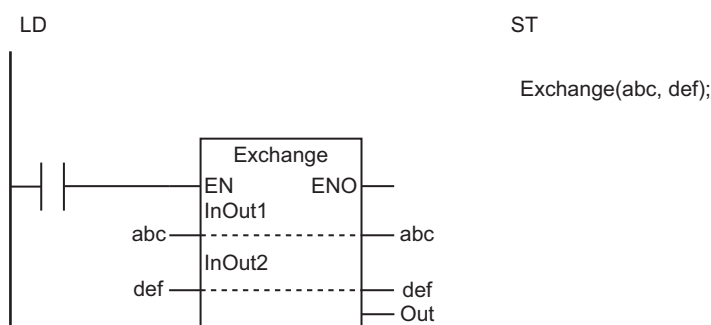
	Meaning	I/O	Description	Valid range	Unit	Default
InOut1 and InOut2	Data to exchange	In-out	Data to exchange	Depends on data type.	---	---
Out	Return value	Output	Always TRUE	TRUE only	---	---

	Boo lean	Bit strings					Integers							Real num bers		Times, durations, dates, and text strings				
	BOOL	BYTE	WORD	DWORD	LWORD	USINT	UINT	UDINT	ULINT	SINT	INT	DINT	LINT	REAL	LREAL	TIME	DATE	TOD	DT	STRING
InOut1	OK	OK	OK	OK	OK	OK	OK	OK	OK	OK	OK	OK	OK	OK	OK	OK	OK	OK	OK	OK
	An enumeration, structure, or structure member can also be specified.																			
InOut2	Must be the same data type as <i>InOut1</i> .																			
Out	OK																			

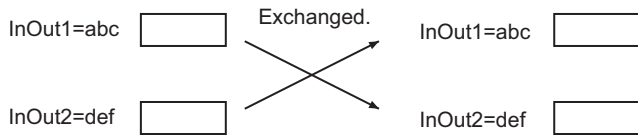
## Function

The Exchange instruction exchanges the values of data to exchange *InOut1* and *InOut2*. You can specify enumerations, structures, or structure members for *InOut1* and *InOut2*.

The following figure shows a programming example. The values of variables *abc* and *def* are exchanged.



The Exchange instruction exchanges the values of *InOut1* and *InOut2*.



### Precautions for Correct Use

- The data types of *InOut1* and *InOut2* must be the same. If they are different, a building error will occur.
- If the regions specified by *InOut1* and *InOut2* overlap each other, the execution result of the instruction will be undefined.
- Return value *Out* is not used when this instruction is used in ST.
- An error occurs in the following case. *ENO* will be FALSE, and *InOut1* and *InOut2* will not change.
  - a) Both *InOut1* and *InOut2* are STRING data, and the string length of one of them cannot accommodate the other.

# AryExchange

The AryExchange instruction exchanges the elements of two arrays.

Instruction	Name	FB/ FUN	Graphic expression	ST expression
AryExchange	Array Data Exchange	FUN		AryExchange(InOut1, InOut2, Size);

## Variables

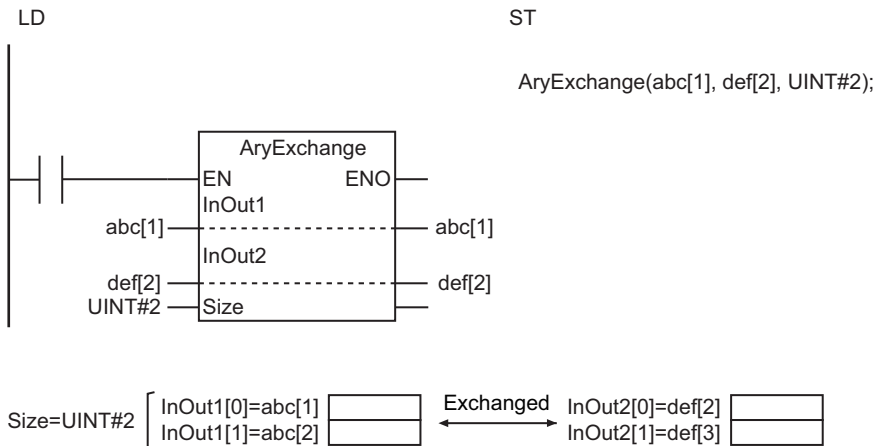
	Meaning	I/O	Description	Valid range	Unit	Default
Size	Number of elements	Input	Number of elements to exchange	Depends on data type.	---	1
InOut1[] and InOut2[] (arrays)	Arrays to exchange	In-out	Arrays to exchange	Depends on data type.	---	---
Out	Return value	Output	Always TRUE	TRUE only	---	---

	Boo lean	Bit strings				Integers								Real numbers		Times, durations, dates, and text strings					
	BOOL	BYTE	WORD	DWORD	LWORD	USINT	UINT	UDINT	ULINT	SINT	INT	DINT	LINT	REAL	LREAL	TIME	DATE	TOD	DT	STRING	
Size							OK														
InOut1[] (array)	OK	OK	OK	OK	OK	OK	OK	OK	OK	OK	OK	OK	OK	OK	OK	OK	OK	OK	OK	OK	OK
InOut2[] (array)	Must be an array with the same data type as InOut1[].																				
Out	OK																				

## Function

The AryExchange instruction exchanges *Size* elements from InOut1[0] of array to exchange InOut1[] with *Size* elements from InOut2[0] of array to exchange InOut2[].

The following shows an example where *Size* is UINT#2.



## Additional Information

- Use the instruction, *MOVE* on page 2-374, to assign constants to variables.
- Use the instruction, *MemCopy* on page 2-383, to copy the values of variables to other variables.

## Precautions for Correct Use

- Use the same data type for the elements of InOut1[] and InOut2[]. If they are different, a building error will occur.
- If the value of *Size* is 0, *Out* will be TRUE, and InOut1[] and InOut2[] will not change.
- Return value *Out* is not used when this instruction is used in ST.
- An error will occur in the following cases. *ENO* will be FALSE, and InOut1[] and InOut2[] will not change.
  - a) The value of *Size* exceeds the array range of InOut1[] or InOut2[].
  - b) InOut1[] and InOut2[] are STRING arrays, and the string length of an element in one array exceeds that of the corresponding element in the other array.
  - c) InOut1[] and InOut2[] are STRING arrays, and an element does not end with a NULL character.



# AryMove

The AryMove instruction moves one or more array elements. The data types of the move source and move destination can be different.

Instruction	Name	FB/ FUN	Graphic expression	ST expression
AryMove	Array Move	FUN		AryMove(In, AryOut, Size);

## Variables

	Meaning	I/O	Description	Valid range	Unit	Default
In[] (array)	Move source array	Input	Array to move	Depends on data type.	---	*1
Size	Number of elements		Number of elements to move			1
AryOut[] (array)	Move result array	In-out	Move result array	Depends on data type.	---	---
Out	Return value	Output	Always TRUE	TRUE only	---	---

\*1. If you omit the input parameter, the default value is not applied. A building error will occur.

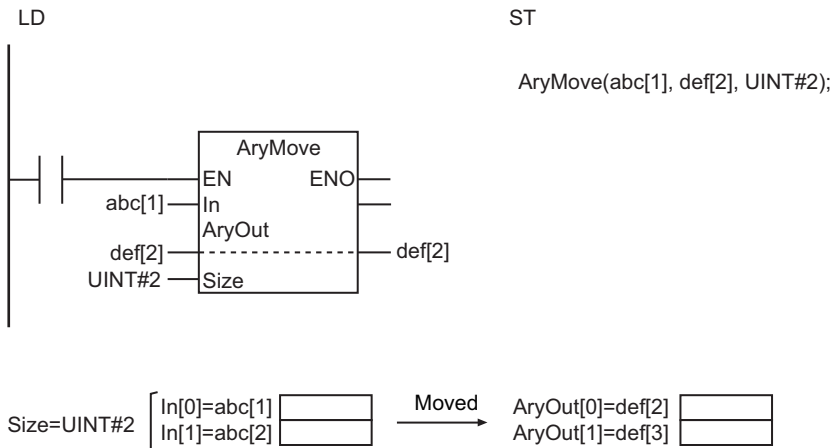
	Boo lean	Bit strings					Integers							Real num bers		Times, durations, dates, and text strings					
	BOOL	BYTE	WORD	DWORD	LWORD	USINT	UINT	UDINT	ULINT	SINT	INT	DINT	LINT	REAL	LREAL	TIME	DATE	TOD	DT	STRING	
In[] (array)	OK	OK	OK	OK	OK	OK	OK	OK	OK	OK	OK	OK	OK	OK	OK	OK	OK	OK	OK	OK	
	Arrays of enumerations or structures can also be specified.																				
Size							OK														
AryOut[] (array)	OK	OK	OK	OK	OK	OK	OK	OK	OK	OK	OK	OK	OK	OK	OK	OK	OK	OK	OK	OK	
	Arrays of enumerations or structures can also be specified.																				
Out	OK																				

## Function

The AryMove instruction moves *Size* elements of move source array In[] starting from In[0] to move result array AryOut[] starting from AryOut[0].

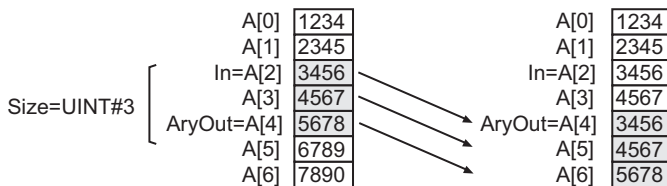
The data types of In[] and AryOut[] can be different.

The following shows an example where *Size* is UINT#2.



### Additional Information

- If the data types of In[] and AryOut[] are the same, the MemCopy instruction is faster.
- You can specify the same array for In[] and AryOut[]. Also, the move source and destination data can overlap. The following example is for when In[0] is A[2], AryOut[0] is A[4], and Size is UINT#3.



### Precautions for Correct Use

- The data types of In[] and AryOut[] can be different as long as they are both in one of the following groups. The valid range of AryOut[] must include the valid range of In[].
  - BYTE, WORD, DWORD, and LWORD
  - USINT, UINT, UDINT, ULINT, SINT, INT, DINT, LINT, REAL, and LREAL
- If In[] is an array of structures, use the same data types for In[] and AryOut[].
- If the value of Size is 0, the value of Out will be TRUE and AryOut[] will not change.
- Return value Out is not used when this instruction is used in ST.
- An error will occur in the following cases. ENO will be FALSE, and AryOut[] will not change.
  - The value of Size exceeds the size of In[] or AryOut[].
  - In[] and AryOut[] are STRING arrays, and the string length of any In[] element to move exceeds the size of the corresponding element in AryOut[].

# Clear

The Clear instruction initializes a variable.

Instruction	Name	FB/ FUN	Graphic expression	ST expression
Clear	Initialize	FUN		Clear(InOut);

## Variables

	Meaning	I/O	Description	Valid range	Unit	Default
InOut	Data to initialize	In-out	Data to initialize	Depends on data type.	---	---
Out	Return value	Output	Always TRUE	TRUE only	---	---

	Boo lean	Bit strings				Integers								Real num bers		Times, durations, dates, and text strings					
	BOOL	BYTE	WORD	DWORD	LWORD	USINT	UINT	UDINT	ULINT	SINT	INT	DINT	LINT	REAL	LREAL	TIME	DATE	TOD	DT	STRING	
InOut	OK	OK	OK	OK	OK	OK	OK	OK	OK	OK	OK	OK	OK	OK	OK	OK	OK	OK	OK	OK	
	An enumeration, array, array element, structure, or structure member can also be specified.																				
Out	OK																				

## Function

The Clear instruction initializes the value of *InOut* (Data to initialize).

If an initial value attribute is specified for the variable, the initial value is applied. If an initial value attribute is not specified, the default initial value for the data type of *InOut* is applied.

If *InOut* is an external variable, the default initial value of the data type of *InOut* is used regardless of the initial value attribute of the corresponding global variable.

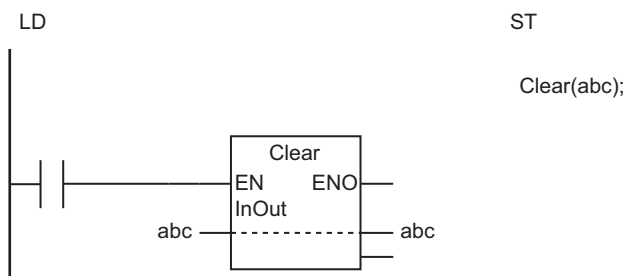
The default values for the data types are given below.

Data type	Default initial value
BOOL	FALSE
BYTE, WORD, DWORD, or LWORD	16#0
USINT, UINT, UDINT, ULINT, SINT, INT, DINT, LINT, REAL, or LREAL	0
TIME	T#0ms
DATE	D#1970-1-1
TOD	TOD#0:0:0
DT	DT#1970-1-1-0:0:0
STRING	"

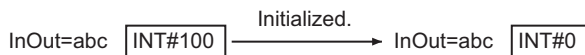
If *InOut* is an array, array element, structure, or structure member, the following processing is performed.

InOut	Processing
Array	All elements in the array are initialized.
Array element	Only the specified element is initialized.
Structure	All members in the structure are initialized.
Structure member	Only the specified member is initialized.

The following figure shows a programming example. The value of variable *abc* is initialized. For example, if the value of variable *abc* is INT#100, it is initialized to INT#0.



The Clear instruction initializes the value of *InOut*.  
The data type of *abc* is INT, so the value of *abc* will be INT#0.



### Additional Information

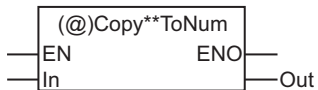
- If *InOut* is an array that is used as a stack, execute this instruction, and also assign 0 to the variable that manages the number of items stored in the stack.
- If you initialize a cam data variable with this instruction, it will not contain the data that was saved with the MC\_SaveCamTable instruction. It will contain all zeros.

### Precautions for Correct Use

- Return value *Out* is not used when this instruction is used in ST.
- To initialize an enumerated variable, use the Initial Value attribute. If the Initial Value attribute is not set, the value of the enumerated variable will be 0.
- Do not perform processing that meets all of the following conditions. The operation is not reliable.
  - a) Pass one element of a BOOL array as an in-out variable to a function or function block.
  - b) Execute the Clear instruction in the function or function block.
  - c) Use the in-out variable that received the element of the above BOOL array as the parameter to pass to the Clear instruction.

# Copy\*\*ToNum (Bit String to Signed Integer)

The Copy\*\*ToNum instruction copies the content of a bit string directly to a signed integer.

Instruction	Name	FB/ FUN	Graphic expression	ST expression
Copy**ToNum	Bit Pattern Copy (Bit String to Signed Integer) Group	FUN	 <p>**** must be a bit string data type.</p>	Out:=Copy**ToNum(In); **** must be a bit string data type.

## Variables

	Meaning	I/O	Description	Valid range	Unit	Default
In	Copy source	Input	Copy source	Depends on data type.	---	0
Out	Copy destination	Output	Copy destination	Depends on data type.	---	---

	Boo lean	Bit strings				Integers							Real num- bers		Times, durations, dates, and text strings					
	BOOL	BYTE	WORD	DWORD	LWORD	USINT	UINT	UDINT	ULINT	SINT	INT	DINT	LINT	REAL	LREAL	TIME	DATE	TOD	DT	STRING
In		OK	OK	OK	OK															
Out		Must be a signed integer data type that is the same size as the data type of <i>In</i> .																		

## Function

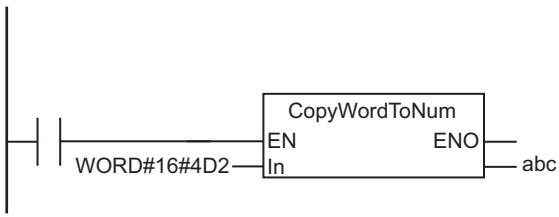
The Copy\*\*ToNum instruction group copies the content of copy source *In* directly to copy destination *Out*.

Four instructions are provided for the following data type combinations of *In* and *Out*.

In	Out	Instruction
BYTE	SINT	CopyByteToNum
WORD	INT	CopyWordToNum
DWORD	DINT	CopyDwordToNum
LWORD	LINT	CopyLwordToNum

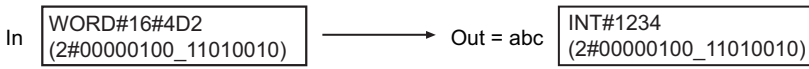
The following shows an example where *In* is WORD#16#4D2 for the CopyWordToNum instruction.

LD



ST

abc:=CopyWordToNum(WORD#16#4D2);



# Copy\*\*To\*\*\* (Bit String to Real Number)

The Copy\*\*To\*\*\* instruction copies the content of a bit string directly to a real number.

Instruction	Name	FB/ FUN	Graphic expression	ST expression
Copy**To***	Bit Pattern Copy (Bit String to Real Number) Group	FUN		Out:=CopyDwordToReal(In); or Out:=CopyLwordToLreal(In);

## Variables

	Meaning	I/O	Description	Valid range	Unit	Default
In	Copy source	Input	Copy source	Depends on data type.	---	0
Out	Copy destination	Output	Copy destination	Depends on data type.	---	---

	Boo lean	Bit strings					Integers							Real num bers		Times, durations, dates, and text strings				
	BOOL	BYTE	WORD	DWORD	LWORD	USINT	UINT	UDINT	ULINT	SINT	INT	DINT	LINT	REAL	LREAL	TIME	DATE	TOD	DT	STRING
In				OK	OK															
Out	Must be REAL if the data type of <i>In</i> is DWORD, and LREAL if it is LWORD.																			

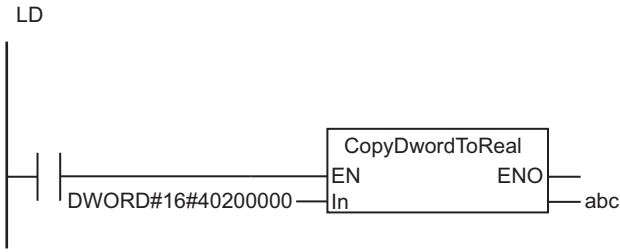
## Function

The Copy\*\*To\*\*\* instruction group copies the content of copy source *In* directly to copy destination *Out*.

Two instructions are provided for the following data type combinations of *In* and *Out*.

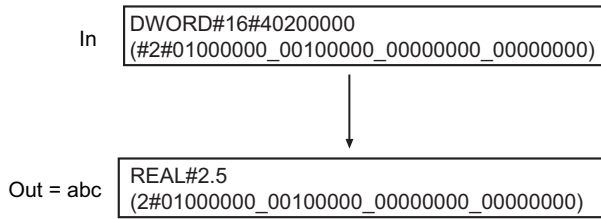
In	Out	Instruction
DWORD	REAL	CopyDwordToReal
LWORD	LREAL	CopyLwordToLreal

The following shows an example where *In* is DWORD#16#40200000 for the CopyDwordToReal instruction.



ST

abc:=CopyDwordToReal(DWORD#16#40200000);





# CopyNumTo\*\* (Signed Integer to Bit String)

The CopyNumTo\*\* instruction copies the content of a signed integer directly to a bit string.

Instruction	Name	FB/ FUN	Graphic expression	ST expression
CopyNumTo**	Bit Pattern Copy (Signed Integer to Bit String) Group	FUN	<p>**** must be a bit string data type.</p>	Out:=CopyNumTo**(In); **** must be a bit string data type.

## Variables

	Meaning	I/O	Description	Valid range	Unit	Default
In	Copy source	Input	Copy source	Depends on data type.	---	0
Out	Copy destination	Output	Copy destination	Depends on data type.	---	---

	Boo lean	Bit strings				Integers								Real num- bers		Times, durations, dates, and text strings				
	BOOL	BYTE	WORD	DWORD	LWORD	USINT	UINT	UDINT	ULINT	SINT	INT	DINT	LINT	REAL	LREAL	TIME	DATE	TOD	DT	STRING
In										OK	OK	OK	OK							
Out	Must be a bit string data type that is the same size as the data type of <i>In</i> .																			

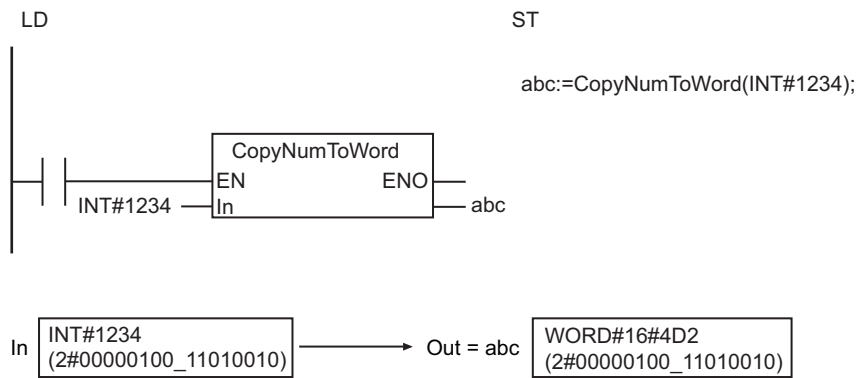
## Function

The CopyNumTo\*\* instruction group copies the content of copy source *In* directly to copy destination *Out*.

Four instructions are provided for the following data type combinations of *In* and *Out*.

In	Out	Instruction
SINT	BYTE	CopyNumToByte
INT	WORD	CopyNumToWord
DINT	DWORD	CopyNumToDword
LINT	LWORD	CopyNumToLword

The following shows an example where *In* is INT#1234 for the CopyNumToWord instruction.



# CopyNumTo\*\* (Signed Integer to Real Number)

The CopyNumTo\*\* instruction copies the content of a signed integer directly to a real number.

Instruction	Name	FB/ FUN	Graphic expression	ST expression
CopyNumTo**	Bit Pattern Copy (Signed Integer to Real Number) Group	FUN		Out:=CopyNumToReal(In); or Out:=CopyNumToLreal(In);

## Variables

	Meaning	I/O	Description	Valid range	Unit	Default
In	Copy source	Input	Copy source	Depends on data type.	---	0
Out	Copy destination	Output	Copy destination	Depends on data type.	---	---

	Boo lean	Bit strings					Integers							Real num- bers		Times, durations, dates, and text strings				
	BOOL	BYTE	WORD	DWORD	LWORD	USINT	UINT	UDINT	ULINT	SINT	INT	DINT	LINT	REAL	LREAL	TIME	DATE	TOD	DT	STRING
In												OK	OK							
Out	Must be REAL if the data type of <i>In</i> is DINT, and LREAL if it is LINT.																			

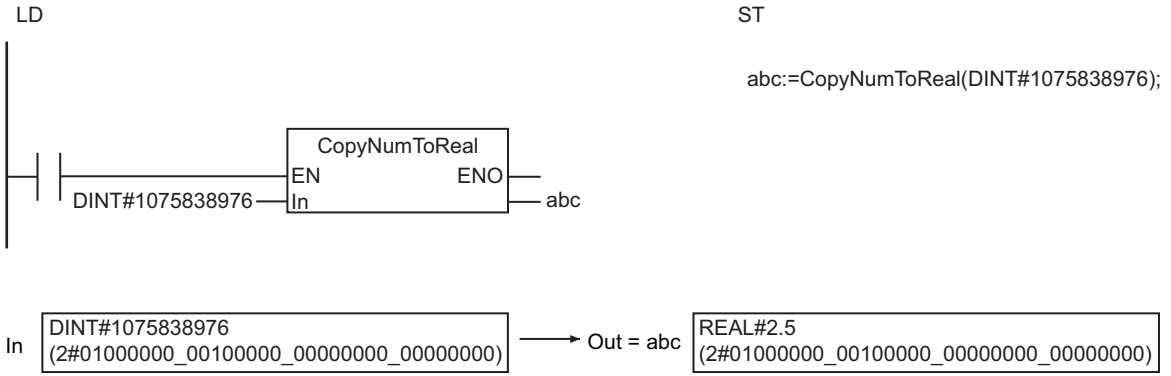
## Function

The CopyNumTo\*\* instruction group copies the content of copy source *In* directly to copy destination *Out*.

Two instructions are provided for the following data type combinations of *In* and *Out*.

In	Out	Instruction
DINT	REAL	CopyNumToReal
LINT	LREAL	CopyNumToLreal

The following shows an example where *In* is DINT#1075838976 for the CopyNumToReal instruction.



# Copy\*\*To\*\*\* (Real Number to Bit String)

The Copy\*\*To\*\*\* instruction copies the content of a real number directly to a bit string.

Instruction	Name	FB/ FUN	Graphic expression	ST expression
Copy**To***	Bit Pattern Copy (Real Number to Bit String) Group	FUN		Out:=CopyRealToDword(In); or Out:=CopyLrealToLword(In);

## Variables

	Meaning	I/O	Description	Valid range	Unit	Default
In	Copy source	Input	Copy source	Depends on data type.	---	0.0
Out	Copy destination	Output	Copy destination	Depends on data type.	---	---

	Boo lean	Bit strings					Integers							Real num bers		Times, durations, dates, and text strings				
	BOOL	BYTE	WORD	DWORD	LWORD	USINT	UINT	UDINT	ULINT	SINT	INT	DINT	LINT	REAL	LREAL	TIME	DATE	TOD	DT	STRING
In														OK	OK					
Out	Must be DWORD if the data type of <i>In</i> is REAL, and LWORD if it is LREAL.																			

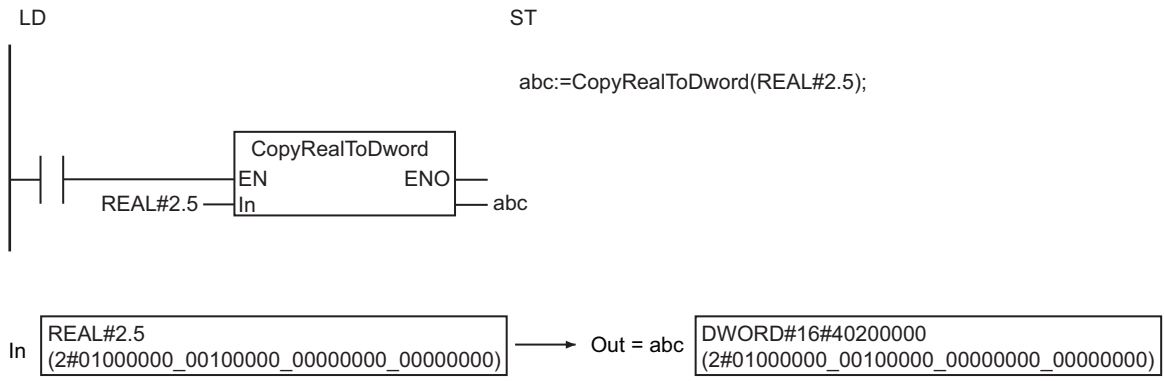
## Function

The Copy\*\*To\*\*\* instruction group copies the content of copy source *In* directly to copy destination *Out*.

Two instructions are provided for the following data type combinations of *In* and *Out*.

In	Out	Instruction
REAL	DWORD	CopyRealToDword
LREAL	LWORD	CopyLrealToLword

The following shows an example where *In* is REAL#2.5 for the CopyRealToDword instruction.



# Copy\*\*ToNum (Real Number to Signed Integer)

The Copy\*\*ToNum instruction copies the content of a real number directly to a signed integer.

Instruction	Name	FB/ FUN	Graphic expression	ST expression
Copy**ToNum	Bit Pattern Copy (Real Number to Signed Integer) Group	FUN		Out:=CopyRealToNum(In); or Out:=CopyLrealToNum(In);

## Variables

	Meaning	I/O	Description	Valid range	Unit	Default
In	Copy source	Input	Copy source	Depends on data type.	---	0.0
Out	Copy destination	Output	Copy destination	Depends on data type.	---	---

	Boo lean	Bit strings					Integers							Real num- bers		Times, durations, dates, and text strings				
	BOOL	BYTE	WORD	DWORD	LWORD	USINT	UINT	UDINT	ULINT	SINT	INT	DINT	LINT	REAL	LREAL	TIME	DATE	TOD	DT	STRING
In														OK	OK					
Out	Must be DINT if the data type of <i>In</i> is REAL, and LINT if it is LREAL.																			

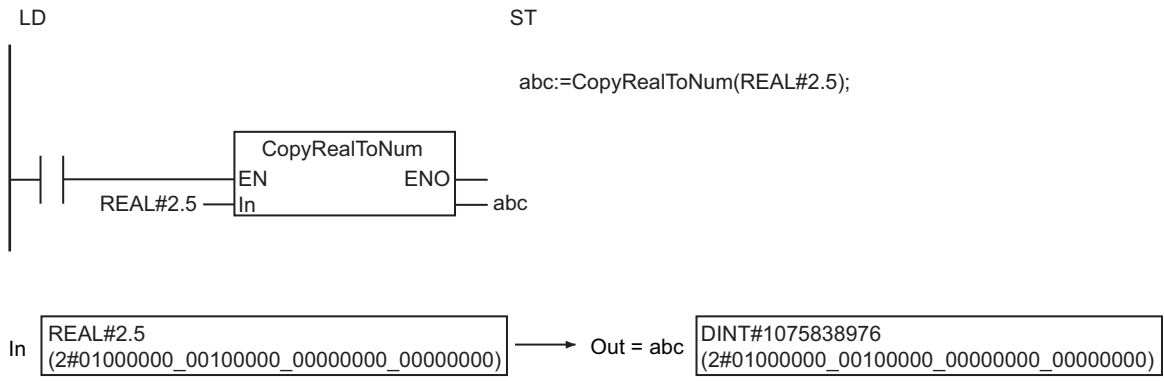
## Function

The Copy\*\*ToNum instruction group copies the content of copy source *In* directly to copy destination *Out*.

Two instructions are provided for the following data type combinations of *In* and *Out*.

In	Out	Instruction
REAL	DINT	CopyRealToNum
LREAL	LINT	CopyLrealToNum

The following shows an example where *In* is REAL#2.5 for the CopyRealToNum instruction.





# Shift Instructions

Instruction	Name	Page
AryShiftReg	Shift Register	page 2-408
AryShiftRegLR	Reversible Shift Register	page 2-410
ArySHL and ArySHR	Array N-element Left Shift/Array N-element Right Shift	page 2-413
SHL and SHR	N-bit Left Shift/N-bit Right Shift	page 2-416
NSHLC and NSHRC	Shift N-bits Left with Carry/Shift N-bits Right with Carry	page 2-419
ROL and ROR	Rotate N-bits Left/Rotate N-bits Right	page 2-422

# AryShiftReg

The AryShiftReg instruction shifts an array of bit strings by one bit to the left and inserts an input value to the least-significant bit.

Instruction	Name	FB/ FUN	Graphic expression	ST expression
AryShiftReg	Shift Register	FB		AryShiftReg_instance(Shift, Reset, In, InOut, Size);

## Variables

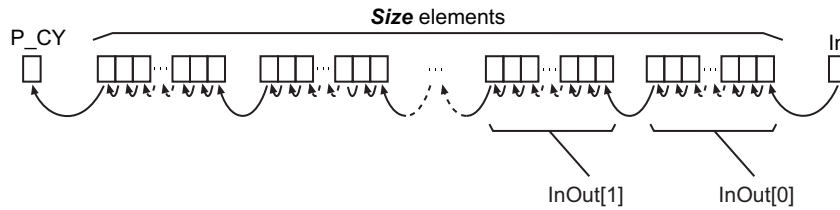
	Meaning	I/O	Description	Valid range	Unit	Default
Shift	Shift	Input	Shifted when signal changes to TRUE.	Depends on data type.	---	FALSE
Reset	Reset		TRUE: Register is reset.			
In	Input value		Value to insert to least-significant bit of InOut[].			
Size	Number of elements in array of bit strings		Number of elements to use as a shift register in InOut[].			
InOut[] (array)	Array of bit strings	In-out	Array of bit strings	Depends on data type.	---	---

	Boolean	Bit strings					Integers							Real numbers		Times, durations, dates, and text strings				
	BOOL	BYTE	WORD	DWORD	LWORD	USINT	UINT	UDINT	ULINT	SINT	INT	DINT	LINT	REAL	LREAL	TIME	DATE	TOD	DT	STRING
Shift	OK																			
Reset	OK																			
In	OK																			
Size							OK													
InOut[] (array)	OK	OK	OK	OK	OK															

## Function

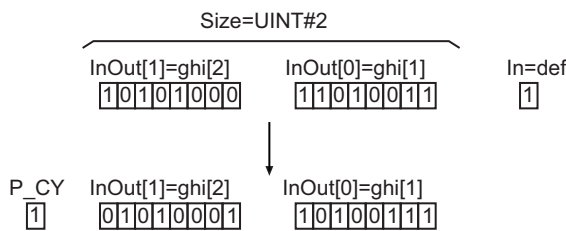
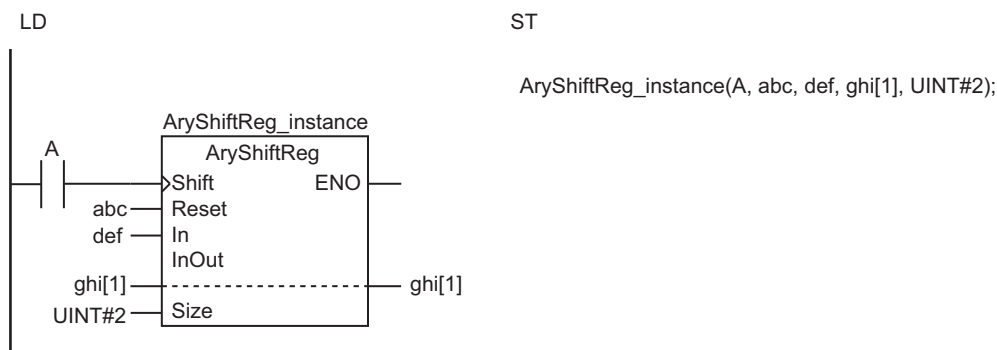
The AryShiftReg instruction shifts *Size* elements from InOut[0] of the array of bit strings InOut[] by one bit to the left (i.e., toward the most-significant bit) when *Shift* changes to TRUE.

Input value *In* is inserted to the least-significant bit. The most-significant bit, which is shifted out of the array of bit strings, is output to the Carry (CY) Flag (*P\_CY*).



When *Reset* is TRUE, *CY* and all of bits in *Size* elements starting from *InOut[0]* are set to FALSE.

The following shows an example where *InOut[]* is a BYTE array and *Size* is *UINT#2*.



### Related System-defined Variables

Name	Meaning	Data type	Description
<i>P_CY</i>	Carry (CY) Flag	BOOL	Value stored in Carry Flag

### Precautions for Correct Use

- While *Reset* is TRUE, the register is not shifted even if *Shift* changes to TRUE.
- *ENO* will change to TRUE when *Shift* changes to TRUE and the shift operation is normally performed, or when *Reset* is TRUE and the reset operation is normally performed.
- The *InOut[]* does not change if the value of *Size* is 0.
- An error will occur in the following case. *ENO* will be FALSE, and *InOut[]* will not change.
  - a) The value of *Size* exceeds the array area of *InOut[]*.

# AryShiftRegLR

The AryShiftRegLR instruction shifts an array of bit strings by one bit to the left or right and inserts an input value to the least-significant or most-significant bit.

Instruction	Name	FB/ FUN	Graphic expression	ST expression
AryShiftRegLR	Reversible Shift Register	FB		AryShiftRegLR_instance(ShiftL, ShiftR, Reset, In, InOut, Size);

## Variables

	Meaning	I/O	Description	Valid range	Unit	Default
ShiftL	Left shift	Input	Shifted left when signal changes to TRUE.	Depends on data type.	---	FALSE
ShiftR	Right shift		Shifted right when signal changes to TRUE.			
Reset	Reset		TRUE: Register is reset.			
In	Input value		Value to insert to least-significant or most-significant bit of InOut[]			
Size	Number of elements in array of bit strings		Number of elements to use as a shift register in InOut[].			
InOut[] (array)	Array of bit strings	In-out	Array of bit strings	Depends on data type.	---	---

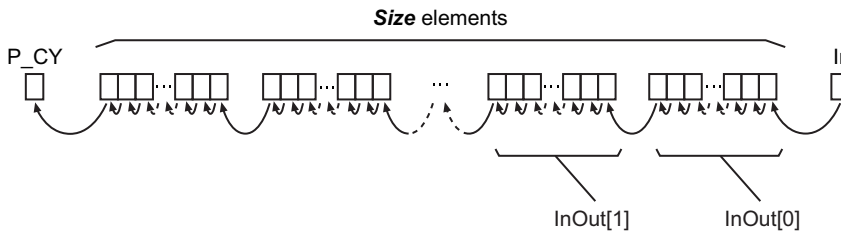
	Boolean	Bit strings					Integers							Real numbers		Times, durations, dates, and text strings				
	BOOL	BYTE	WORD	DWORD	LWORD	USINT	UINT	UDINT	ULINT	SINT	INT	DINT	LINT	REAL	LREAL	TIME	DATE	TOD	DT	STRING
ShiftL	OK																			
ShiftR	OK																			
Reset	OK																			
In	OK																			
Size							OK													
InOut[] (array)	OK	OK	OK	OK	OK															

## Function

The AryShiftRegLR instruction shifts *Size* elements from *InOut*[0] of the array of bit strings *InOut*[] by one bit to the left when *ShiftL* changes to TRUE.

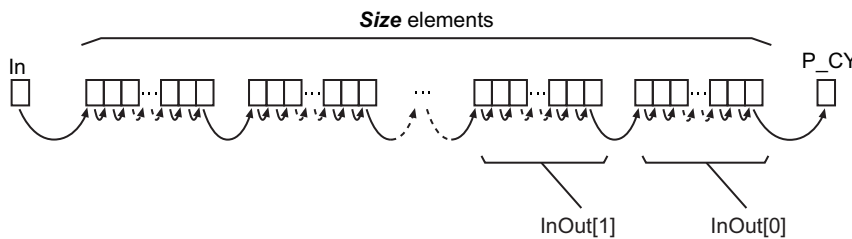
Input value *In* is inserted to the least-significant bit.

The most-significant bit, which is shifted out of the array of bit strings, is output to the Carry (CY) Flag (*P\_CY*).



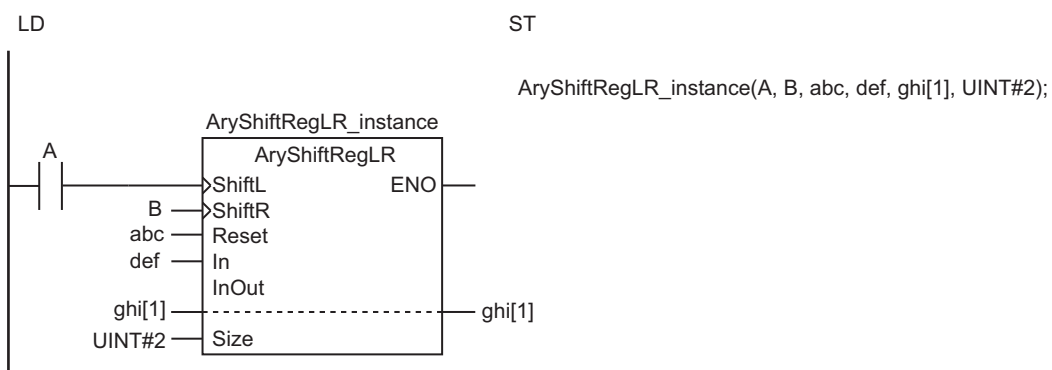
When *ShiftR* changes to TRUE, the bits are shifted by one bit to the right, and *In* is inserted to the most-significant bit.

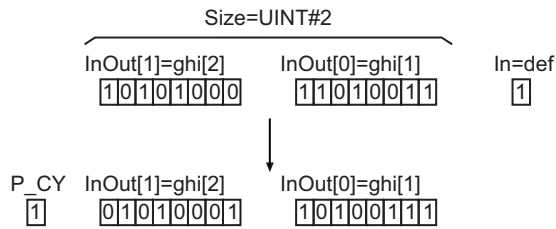
The least-significant bit, which is shifted out of the array of bit strings, is output to the Carry (CY) Flag (*P\_CY*).



When *Reset* is TRUE, *P\_CY* and all of the bits in *Size* elements starting from *InOut*[0] are set to FALSE.

The following shows an example where *InOut* is a BYTE array, *Size* is UINT#2 and *ShiftL* changes to TRUE.





## Related System-defined Variables

Name	Meaning	Data type	Description
P_CY	Carry (CY) Flag	BOOL	Value stored in Carry Flag

## Precautions for Correct Use

- While *Reset* is TRUE, the register is not shifted even if *ShiftL* or *ShiftR* changes to TRUE.
- The register is not shifted if both *ShiftL* and *ShiftR* change to TRUE at the same time.
- *ENO* will change to TRUE when *ShiftL* or *ShiftR* changes to TRUE and the shift operation is normally performed, or when *Reset* is TRUE and the reset operation is normally performed.
- The InOut[] does not change if the value of *Size* is 0.
- An error will occur in the following case. *ENO* will be FALSE, and InOut[] will not change.
  - a) The value of *Size* exceeds the array area of InOut[].

# ArySHL and ArySHR

These instructions shift array elements by one or more elements.

ArySHL : Shifts the array to the left (toward the higher elements).

ArySHR : Shifts the array to the right (toward the lower elements).

Instruction	Name	FB/ FUN	Graphic expression	ST expression
ArySHL	Array N-element Left Shift	FUN		ArySHL(InOut, Size, Num);
ArySHR	Array N-element Right Shift	FUN		ArySHR(InOut, Size, Num);

## Variables

	Meaning	I/O	Description	Valid range	Unit	Default
Size	Number of elements in shift register	Input	Number of elements in shift register	Depends on data type.	---	1
Num	Number of elements to shift		Number of elements to shift			
InOut[] (array)	Shift register array	In-out	Shift register array	Depends on data type.	---	---
Out	Return value	Output	Always TRUE	TRUE only	---	---

	Boolean	Bit strings					Integers							Real numbers		Times, durations, dates, and text strings					
	BOOL	BYTE	WORD	DWORD	LWORD	USINT	UINT	UDINT	ULINT	SINT	INT	DINT	LINT	REAL	LREAL	TIME	DATE	TOD	DT	STRING	
Size							OK														
Num							OK														
InOut[] (array)	OK	OK	OK	OK	OK	OK	OK	OK	OK	OK	OK	OK	OK	OK	OK	OK	OK	OK	OK	OK	
Out	OK																				

Arrays of structures can also be specified.

## Function

These instructions shift the upper *Size* elements in shift register array InOut[] by *Num* elements.

The values that are shifted out of the array are discarded.

The default initial value for the data type of InOut[] is stored in the empty elements. If InOut[] is an array of structures, all members in the structures are initialized.

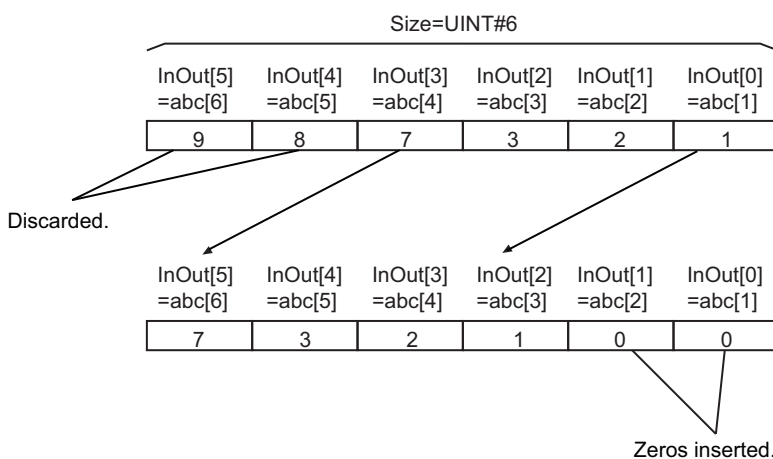
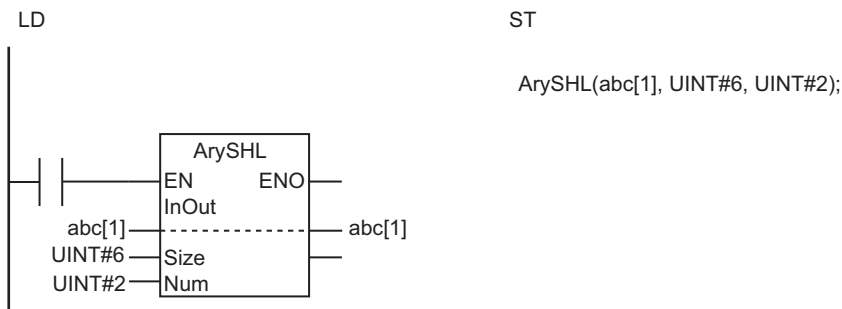
The default values for the data types are given below.

Data type	Default
BOOL	FALSE
BYTE, WORD, DWORD, or LWORD	16#0
USINT, UINT, UDINT, ULINT, SINT, INT, DINT, LINT, REAL, or LREAL	0
TIME	T#0ms
DATE	D#1970-1-1
TOD	TOD#0:0:0
DT	DT#1970-1-1-0:0:0
STRING	"

## ArySHL

The ArySHL instruction shifts the array to the left (toward the higher elements of the array).

The following example shows the ArySHL instruction when *Size* is *UINT#6* and *Num* is *UINT#2*.



## ArySHR

The ArySHR instruction shifts the array to the right (toward the lower elements of the array).



## Additional Information

If `InOut[]` is BOOL data, the result will be the same as shifting a bit string of *Size* bits by *Num* bits.

## Precautions for Correct Use

- The shift operation is not performed if the value of *Num* is 0.
- If the value of *Num* is larger than *Size*, all values from `InOut[0]` to `InOut[Size-1]` are initialized.
- Return value *Out* is not used when these instructions are used in ST.
- An error will occur in the following case. *ENO* will be FALSE, and `InOut[]` will not change.
  - a) The value of *Size* exceeds the array area of `InOut[]`.

# SHL and SHR

These instructions shift a bit string by one or more bits.

SHL : Shifts the bit string to the left (toward the higher bits).

SHR : Shifts the bit string to the right (toward the lower bits).

Instruction	Name	FB/ FUN	Graphic expression	ST expression
SHL	N-bit Left Shift	FUN		Out:=SHL(In, Num);
SHR	N-bit Right Shift	FUN		Out:=SHR(In, Num);

## Variables

	Meaning	I/O	Description	Valid range	Unit	Default
In	Data to shift	Input	Data to shift	Depends on data type.	---	*1
Num *2	Number to shift		Number of bits to shift	0 to the number of bits in <i>In</i>	Bits	1
Out	Processing result	Output	Processing result	Depends on data type.	---	---

\*1. If you omit the input parameter, the default value is not applied. A building error will occur.

\*2. On Sysmac Studio version 1.03 or higher, you can use *N* instead of *Num* to more clearly show the correspondence between the variables and the parameter names in ST expressions.

For example, you can use the following notation: Out:=SHL(In:=BYTE#16#89, N:=ULINT#2);.

	Boo lean	Bit strings				Integers							Real num- bers		Times, durations, dates, and text strings					
	BOOL	BYTE	WORD	DWORD	LWORD	USINT	UINT	UDINT	ULINT	SINT	INT	DINT	LINT	REAL	LREAL	TIME	DATE	TOD	DT	STRING
In		OK	OK	OK	OK															
Num						OK *1			OK *1											
Out	Must be the same data type as <i>In</i>																			

\*1. With a CPU Unit with unit version 1.02 or later and Sysmac Studio version 1.03 or higher, use a ULINT variable. With a CPU Unit with unit version 1.01 or earlier and Sysmac Studio version 1.02 or lower, use a USINT variable.

## Function

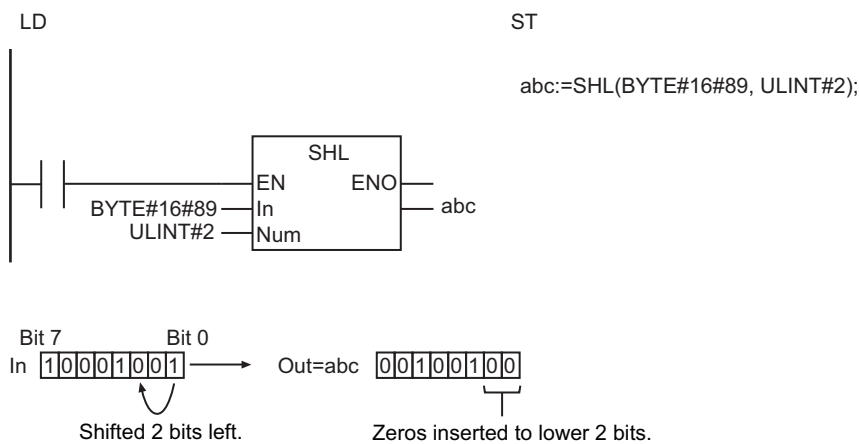
These instructions shift bit string data, *In* (Data to shift), by the number of bits specified in *Num* (Number to shift).

The bits that are shifted out of the register are discarded and zeros are inserted into the other end of the register.

## SHL

The SHL instruction shifts bits from right to left (from least-significant to most-significant bits).

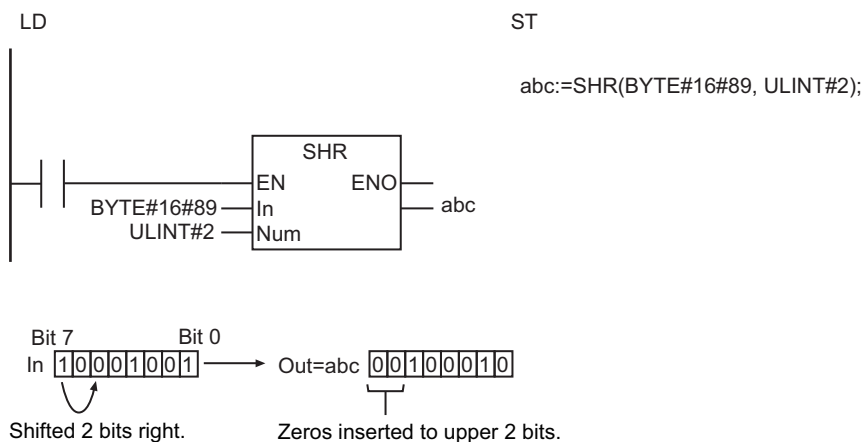
The following shows an example where *In* is BYTE#16#89 and *Num* is ULINT#2.



## SHR

The SHR instruction shifts bits from left to right (from most-significant to least-significant bits).

The following shows an example where *In* is BYTE#16#89 and *Num* is ULINT#2.



## Additional Information

The ROL and ROR instructions insert the bits that are shifted out of the register into the other end of the register.

### Precautions for Correct Use

- The data types of *In* and *Out* must be the same.
- If *Num* is 0, an error will not occur and the value of *In* will be assigned directly to *Out*.
- If the value of *Num* exceeds the number of bits specified in *In*, an error will not occur and the value of *Out* will be 16#0.

# NSHLC and NSHRC

These instructions shift an array of bit strings by one or more bits, with the Carry (CY) Flag available.

NSHLC : Shifts the array to the left (toward the higher elements).

NSHRC : Shifts the array to the right (toward the lower elements).

Instruction	Name	FB/ FUN	Graphic expression	ST expression
NSHLC	Shift N-bits Left with Carry	FUN		NSHLC(InOut, Size, Num);
NSHRC	Shift N-bits Right with Carry	FUN		NSHRC(InOut, Size, Num);

## Variables

	Meaning	I/O	Description	Valid range	Unit	Default
Size	Number of bits in shift register	Input	Number of bits in shift register	Depends on data type.	Bits	1
Num	Number of bits to shift		Number of bits to shift			
InOut[] (array)	Shift register array	In-out	Bit string array to shift	Depends on data type.	---	---
Out	Return value	Output	Always TRUE	TRUE only	---	---

	Boo lean	Bit strings					Integers							Real numbers		Times, durations, dates, and text strings				
	BOOL	BYTE	WORD	DWORD	LWORD	USINT	UINT	UDINT	ULINT	SINT	INT	DINT	LINT	REAL	LREAL	TIME	DATE	TOD	DT	STRING
Size						OK														
Num						OK														
InOut[] (array)	OK	OK	OK	OK	OK															
Out	OK																			

## Function

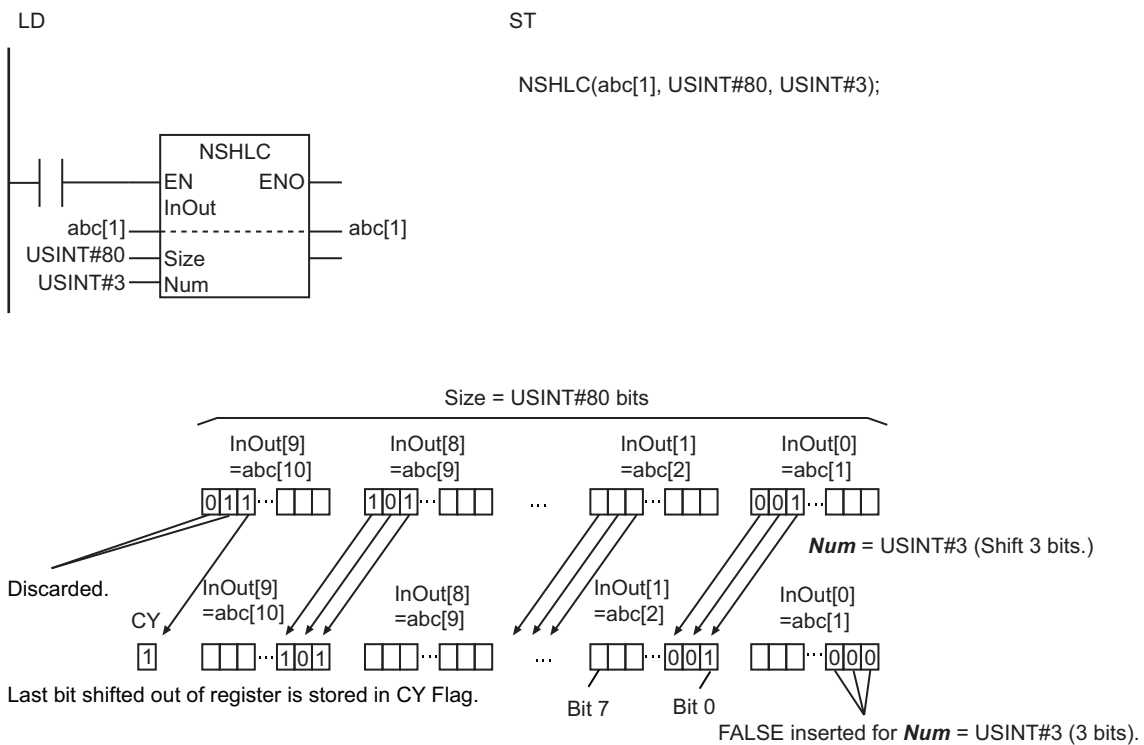
These instructions shift *Size* array elements in InOut[] (Shift register array) by the number of bits specified in *Num*. The shift register starts at InOut[0].

The last bit that is shifted out of the register is output to the Carry (CY) Flag. Zeros are inserted for the bits at the other end.

## NSHLC

The NSHLC instruction shifts bits from the lower elements in the array to the higher elements and from the least-significant bits to the most-significant bits.

The following example shows the NSHLC instruction when `InOut[]` is a BYTE array, `Size` is `USINT#80` and `Num` is `USINT#3`.



## NSHRC

The NSHRC instruction shifts bits from the higher elements in the array to the lower elements and from the most-significant bits to the least-significant bits.

### Related System-defined Variables

Name	Meaning	Data type	Description
P_CY	Carry (CY) Flag	BOOL	Value stored in Carry Flag

### Precautions for Correct Use

- The shift operation is not performed if the value of *Num* is 0.
- If the value of *Num* is larger than *Size*, *Size* bits from bit 0 of `InOut[0]` are changed to FALSE. The value of the Carry Flag (CY) changes to FALSE.

- Return value *Out* is not used when these instructions are used in ST.
- An error will occur in the following case. *ENO* will be FALSE, and *InOut[]* will not change.
  - a) The value of *Size* exceeds the array area of *InOut[]*.

# ROL and ROR

These instructions rotate a bit string by one or more bits.

ROL : Rotates the bit string to the left (toward the higher bits).

ROR : Rotates the bit string to the right (toward the lower bits).

Instruction	Name	FB/ FUN	Graphic expression	ST expression
ROL	Rotate N-bits Left	FUN		Out:=ROL(In, Num);
ROR	Rotate N-bits Right	FUN		Out:=ROR(In, Num);

## Variables

	Meaning	I/O	Description	Valid range	Unit	Default
In	Data to rotate	Input	Data to rotate	Depends on data type.	---	*1
Num*2	Number of bits		Number of bits to rotate	0 to the number of bits in <i>In</i>	Bits	1
Out	Processing result	Output	Processing result	Depends on data type.	---	---

\*1. If you omit the input parameter, the default value is not applied. A building error will occur.

\*2. On Sysmac Studio version 1.03 or higher, you can use *N* instead of *Num* to more clearly show the correspondence between the variables and the parameter names in ST expressions.

For example, you can use the following notation: Out:=ROL(In:=BYTE#16#89, N:=ULINT#2);

	Boo lean	Bit strings					Integers							Real num- bers		Times, durations, dates, and text strings				
	BOOL	BYTE	WORD	DWORD	LWORD	USINT	UINT	UDINT	ULINT	SINT	INT	DINT	LINT	REAL	LREAL	TIME	DATE	TOD	DT	STRING
In		OK	OK	OK	OK															
Num						OK *1			OK *1											
Out	Must be the same data type as <i>In</i>																			

\*1. With a CPU Unit with unit version 1.02 or later and Sysmac Studio version 1.03 or higher, use a ULINT variable. With a CPU Unit with unit version 1.01 or earlier and Sysmac Studio version 1.02 or lower, use a USINT variable.





### Additional Information

The SHL and SHR instructions discard the bits that are shifted out of the register and insert zeros into the other end of the register.

### Precautions for Correct Use

- The data types of *In* and *Out* must be the same.
- If *Num* is 0, an error will not occur and the value of *In* will be assigned directly to *Out*.
- If the value of *Num* exceeds the number of bits specified in *In*, an error will not occur and the bits will be rotated by the number of bits specified in *Num*. For example, if *In* is WORD data, the value of *Out* will be the same regardless of whether the value of *Num* is USINT#1 or USINT#17.

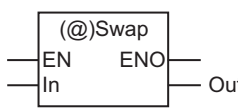
# Conversion Instructions

Instruction	Name	Page
Swap	Swap Bytes	page 2-427
Neg	Reverse Sign	page 2-429
Decoder	Bit Decoder	page 2-431
Encoder	Bit Encoder	page 2-434
BitCnt	Bit Counter	page 2-436
ColmToLine_**	Column to Line Conversion Group	page 2-437
LineToColm	Line to Column Conversion	page 2-439
Gray	Gray Code Conversion	page 2-441
UTF8ToSJIS	Character Code Conversion (UTF-8 to SJIS)	page 2-446
SJISToUTF8	Character Code Conversion (SJIS to UTF-8)	page 2-448
PWLApprox and PWLApproxNoLineChk	Broken Line Approximation with Broken Line Data Check/ Broken Line Approximation without Broken Line Data Check	page 2-450
PWLLineChk	Broken Line Data Check	page 2-456
MovingAverage	Moving Average	page 2-459
DispartReal	Separate Mantissa and Exponent	page 2-466
UniteReal	Combine Real Number Mantissa and Exponent	page 2-469
NumToDecString and NumToHexString	Fixed-length Decimal Text String Conversion/Fixed-length Hexadecimal Text String Conversion	page 2-471
HexStringToNum_**	Hexadecimal Text String-to-Number Conversion Group	page 2-474
FixNumToString	Fixed-decimal Number-to-Text String Conversion	page 2-476
StringToFixNum	Text String-to-Fixed-decimal Conversion	page 2-478
DtToString	Date and Time-to-Text String Conversion	page 2-481

Instruction	Name	Page
DateToString	Date-to-Text String Conversion	page 2-483
TodToString	Time of Day-to-Text String Conversion	page 2-485
GrayToBin_** and BinToGray_**	Gray Code-to-Binary Code Conversion Group/ Binary Code-to-Gray Code Conversion	page 2-487
StringToAry	Text String-to-Array Conversion	page 2-490
AryToString	Array-to-Text String Conversion	page 2-492
DispartDigit	Four-bit Separation	page 2-494
UniteDigit_**	Four-bit Join Group	page 2-496
Dispart8Bit	Byte Data Separation	page 2-498
Unite8Bit_**	Byte Data Join Group	page 2-500
ToAryByte	Conversion to Byte Array	page 2-502
AryByteTo	Conversion from Byte Array	page 2-508
SizeOfAry	Get Number of Array Elements	page 2-514
PackWord	2-byte Join	page 2-516
PackDword	4-byte Join	page 2-518
LOWER_BOUND and UPPER_BOUND	Get First Number of Array/ Get Last Number of Array	page 2-520

# Swap

The Swap instruction swaps the upper byte and lower byte of a 16-bit value.

Instruction	Name	FB/ FUN	Graphic expression	ST expression
Swap	Swap Bytes	FUN		Out:=Swap(In);

Conversion Instructions

2

Swap

## Variables

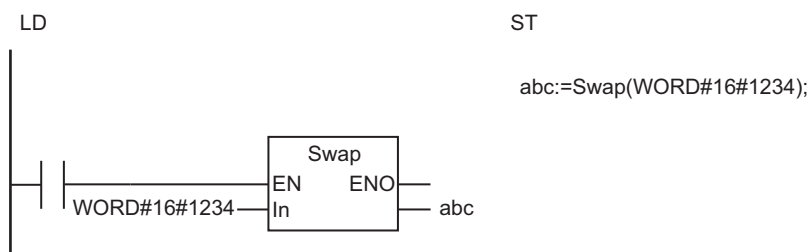
	Meaning	I/O	Description	Valid range	Unit	Default
In	Data to convert	Input	Data to convert	Depends on data type.	---	0
Out	Conversion result	Output	Conversion result	Depends on data type.	---	---

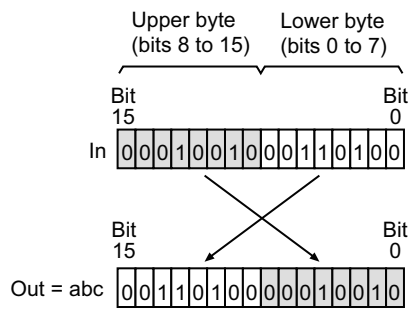
	Boolean	Bit strings					Integers						Real numbers		Times, durations, dates, and text strings					
	BOOL	BYTE	WORD	DWORD	LWORD	USINT	UINT	UDINT	ULINT	SINT	INT	DINT	LINT	REAL	LREAL	TIME	DATE	TOD	DT	STRING
In			OK																	
Out			OK																	

## Function

The Swap instruction swaps the upper byte and lower byte of data to convert *In* and assigns the result to conversion result *Out*.

The following shows an example where *In* is WORD#16#1234.





# Neg

The Neg instruction reverses the sign of a number.

Instruction	Name	FB/ FUN	Graphic expression	ST expression
Neg	Reverse Sign	FUN		Out:=Neg(In);

## Variables

	Meaning	I/O	Description	Valid range	Unit	Default
In	Data to convert	Input	Data to convert	Depends on data type.	---	*1
Out	Conversion result	Output	Conversion result	Depends on data type.	---	---

\*1. If you omit the input parameter, the default value is not applied. A building error will occur.

	Boo lean	Bit strings					Integers							Real num- bers		Times, durations, dates, and text strings				
	BOOL	BYTE	WORD	DWORD	LWORD	USINT	UINT	UDINT	ULINT	SINT	INT	DINT	LINT	REAL	LREAL	TIME	DATE	TOD	DT	STRING
In						OK	OK	OK	OK	OK	OK	OK	OK	OK	OK					
Out						OK	OK	OK	OK	OK	OK	OK	OK	OK	OK					

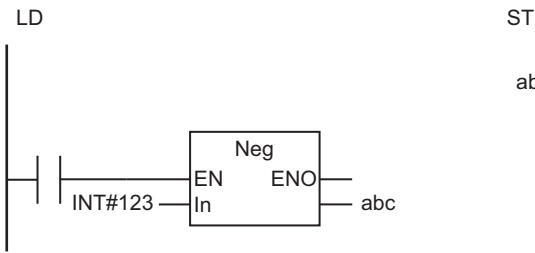
## Function

The Neg instruction reverses the sign of data to convert *In*.

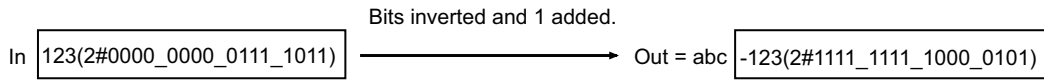
The conversion processing depends on the data type of *In*, as shown below.

Data type of <i>In</i>	Value of <i>Out</i>
Signed integer: SINT, INT, DINT, or LINT	All bits in <i>In</i> are inverted and then 1 is added. (This is equal to the result of multiplying <i>In</i> by -1.)
Unsigned integers: USINT, UNIT, UDINT, or ULINT	All bits in <i>In</i> are inverted and then 1 is added.
Real numbers: REAL or LREAL	$In \times (-1)$

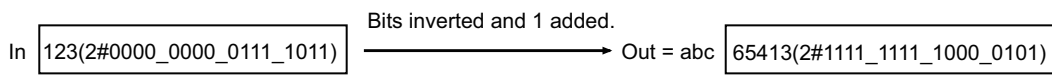
The following shows an example where *In* is INT#123.



abc:=Neg(INT#123);

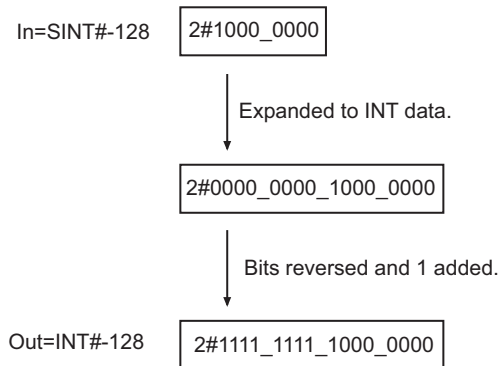


The following shows an example where *In* is UINT#123.



### Precautions for Correct Use

If you use different data types for *In* and *Out*, make sure the valid range of *Out* accommodates the valid range of *In*. Otherwise, an error will not occur, but the value of *Out* will be an illegal value. For example, if the value of *In* is SINT#-128 and the data type of *Out* is INT, the value of *Out* will be INT#-128 instead of INT#128.





# Decoder

The Decoder instruction sets the specified bit to TRUE and the other bits to FALSE in array elements that consist of a maximum of 256 bits.

Instruction	Name	FB/ FUN	Graphic expression	ST expression
Decoder	Bit Decoder	FUN		Decoder(In, Size, InOut);

## Variables

	Meaning	I/O	Description	Valid range	Unit	Default
In	Conversion bit position	Input	Bit position to convert	Depends on data type.	---	0
Size	Bits to convert		Number of bits to convert	0 to 8	Bits	1
InOut[] (array)	Array to convert	In-out	Array to convert	Depends on data type.	---	---
Out	Return value	Output	Always TRUE	TRUE only	---	---

	Boo lean	Bit strings				Integers							Real num- bers		Times, durations, dates, and text strings					
	BOOL	BYTE	WORD	DWORD	LWORD	USINT	UINT	UDINT	ULINT	SINT	INT	DINT	LINT	REAL	LREAL	TIME	DATE	TOD	DT	STRING
In		OK																		
Size						OK														
InOut[] (array)	OK	OK	OK	OK	OK															
Out	OK																			

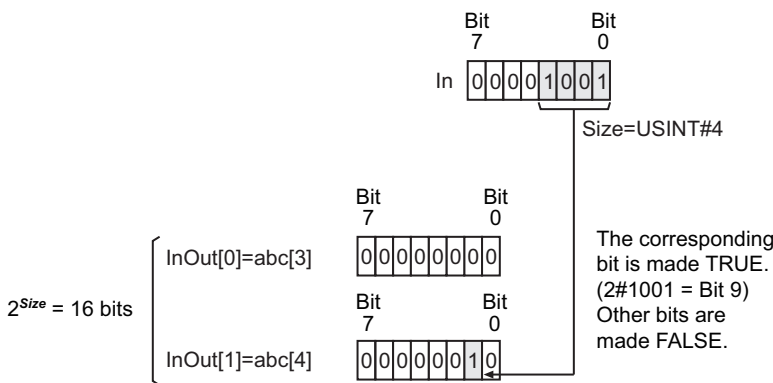
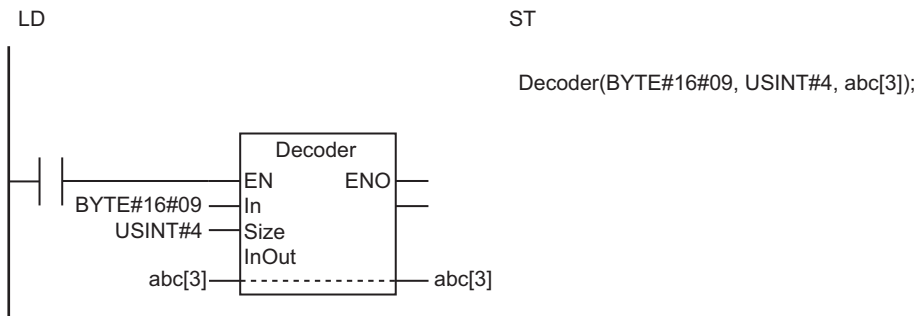
## Function

The Decoder instruction accesses  $2^{Size}$  bits in InOut[], which begins with InOut[0], and sets a specified bit to TRUE. The other bits are set to FALSE.

The bit to make TRUE is specified by the *Size* bits in the lower byte of conversion bit position *In*. Always attach the element number to the in-out parameter that is passed to InOut[], e.g., array[3].

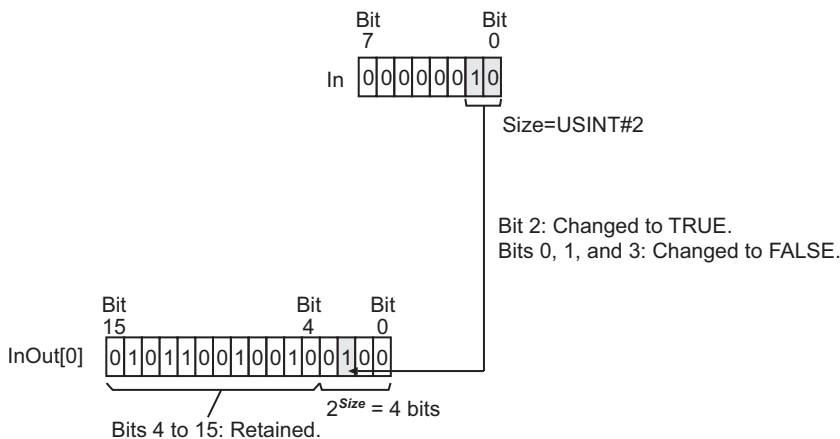
Consider an example where *In* is BYTE#16#09, *Size* is USINT#4, and InOut[] is a BYTE array. The value of *In* (conversion bit position) is 16#09, which is 9 in decimal notation. Accordingly, the ninth lowest bit in InOut[] is set to TRUE, and the other bits are set to FALSE.

InOut[] is a BYTE array, so the ninth bit from the least-significant bit is bit 1 in InOut[1]. Therefore, bit 1 in InOut[1] is made TRUE, all other bits in InOut[1] are made FALSE, and all bits in InOut[0] are made FALSE.



If the number of bits in the elements of InOut[] is larger than the number of bits specified with Size, the values of the remaining bits are retained. Consider an example where In is BYTE#16#02, Size is USINT#2, and InOut[] is a WORD array.

Size is USINT#2, so the lower 4 bits of InOut[0] are set. The values of the remaining bits in InOut[0] (bits 4 to 15) are retained.



### Additional Information

Use the instruction, *Encoder* on page 2-434, to find the position of the highest TRUE bit in array elements that consist of a maximum of 256 bits.

## Precautions for Correct Use

- If the value of *Size* is 0, all the bits in `InOut[]` change to FALSE.
- Return value *Out* is not used when this instruction is used in ST.
- An error will occur in the following cases. *ENO* will be FALSE, and `InOut[]` will not change.
  - a) The value of *Size* is outside the valid range.
  - b) The value of  $2^{Size}$  exceeds the number of bits in the array elements of `InOut[]`.

# Encoder

The Encoder instruction finds the position of the highest TRUE bit in array elements that consist of a maximum of 256 bits.

Instruction	Name	FB/ FUN	Graphic expression	ST expression
Encoder	Bit Encoder	FUN		Out:=Encoder(In, Size);

## Variables

	Meaning	I/O	Description	Valid range	Unit	Default
In[] (array)	Array to convert	Input	Array to convert	Depends on data type.	---	*1
Size	Bits to convert		Number of bits to convert	0 to 8	Bits	1
Out	Conversion result	Output	Conversion result	Depends on data type.	---	---

\*1. If you omit the input parameter, the default value is not applied. A building error will occur.

	Boo lean	Bit strings				Integers								Real num- bers		Times, durations, dates, and text strings				
	BOOL	BYTE	WORD	DWORD	LWORD	USINT	UINT	UDINT	ULINT	SINT	INT	DINT	LINT	REAL	LREAL	TIME	DATE	TOD	DT	STRING
In[] (array)	OK	OK	OK	OK	OK															
Size						OK														
Out		OK																		

## Function

The Encoder instruction finds the position of a TRUE bit in a specified range of bits in array to convert In[].

The instruction searches for a TRUE bit in the range of  $2^{Size}$  bits of In[], which starts from In[0]. The position of the TRUE bit in this range is expressed in binary and stored in the lower Size bits of conversion result Out. The remaining bits of Out is set to FALSE.

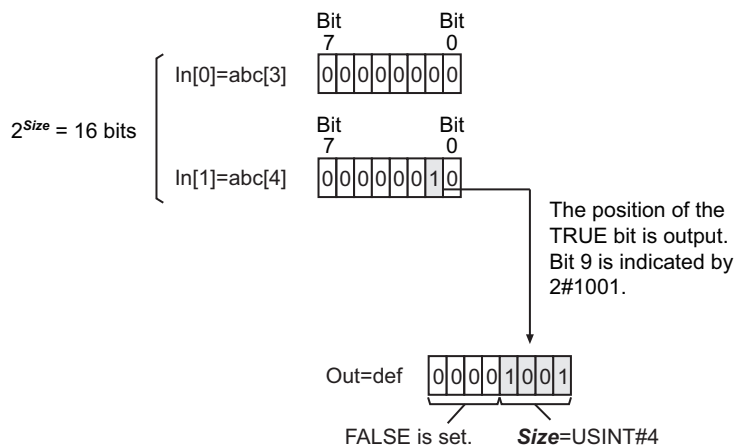
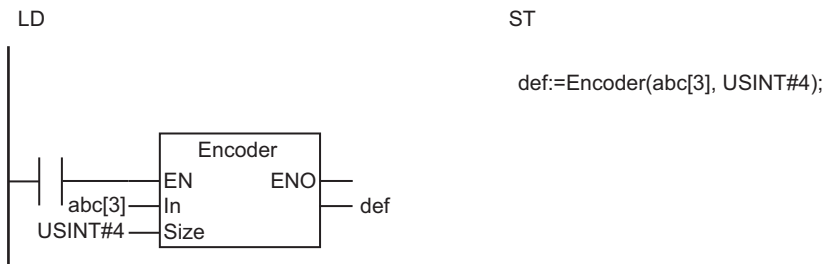
If there is more than one TRUE bit in the specified range, the position of the highest bit that is TRUE is found.

Always attach the element number to input parameter that is passed to In[], e.g., array[3].

Consider an example where Size is USINT#4 and In[] is a BYTE array.

Size is USINT#4, so a TRUE bit is searched for in the range of  $2^4$ , or 16 bits, starting from In[0]. In the following figure, the ninth bit in the range is TRUE.

*Size* is USINT#4, so 2#1001 (i.e., decimal 9) is stored in the lower 4 bits of *Out*. The upper four bits of *Out* is set to FALSE.



## Additional Information


Use the instruction, *Decoder* on page 2-431, to make one bit TRUE and the other bits FALSE in array elements that consist of a maximum of 256 bits.

## Precautions for Correct Use

- If the value of *Size* is 0, all the bits in *Out* change to FALSE.
- An error will occur in the following cases. *ENO* will be FALSE, and *Out* will not change.
  - a) The value of *Size* is outside the valid range.
  - b) The value of  $2^{Size}$  exceeds the number of bits in the array elements of *In*[].
  - c) The bits in *In*[] that are specified by *Size* are all FALSE.

# BitCnt

The BitCnt instruction counts the number of TRUE bits in a bit string.

Instruction	Name	FB/ FUN	Graphic expression	ST expression
BitCnt	Bit Counter	FUN		Out:=BitCnt(In);

## Variables

	Meaning	I/O	Description	Valid range	Unit	Default
In	Count string	Input	String in which to count TRUE bits	Depends on data type.	---	*1
Out	Count result	Output	Number of TRUE bits	0 to the number of bits in <i>In</i>	---	---

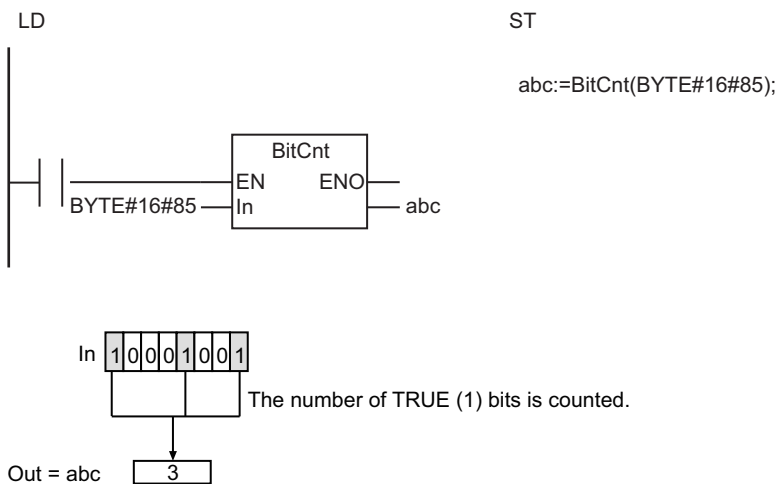
\*1. If you omit the input parameter, the default value is not applied. A building error will occur.

	Boo lean	Bit strings				Integers							Real num- bers		Times, durations, dates, and text strings					
	BOOL	BYTE	WORD	DWORD	LWORD	USINT	UINT	UDINT	ULINT	SINT	INT	DINT	LINT	REAL	LREAL	TIME	DATE	TOD	DT	STRING
In		OK	OK	OK	OK															
Out						OK														

## Function

The BitCnt instruction counts the number of TRUE bits in *In*.

The following shows an example where *In* is BYTE data with a value of BYTE#16#85.



# ColmToLine\_\*\*

The ColmToLine\_\*\* instruction extracts bit values from the specified position of array elements and outputs them as a bit string.

Instruction	Name	FB/ FUN	Graphic expression	ST expression
ColmToLine_**	Column to Line Conversion Group	FUN	<p>*** must be a bit string data type.</p>	Out:=ColmToLine_**(In, Size, Pos);  *** must be a bit string data type.

## Variables

	Meaning	I/O	Description	Valid range	Unit	Default
In[] (array)	Array to convert	Input	Array to convert	Depends on data type.	---	*1
Size	Number of elements to convert		Number of elements in In[] to convert	0 to the number of bits in Out		1
Pos	Bit position to convert		Bit position to convert	0 to No. of bits in In[] - 1		0
Out	Conversion result	Output	Conversion result	Depends on data type.	---	---

\*1. If you omit the input parameter, the default value is not applied. A building error will occur.

	Boo lean	Bit strings				Integers							Real num- bers		Times, durations, dates, and text strings					
	BOOL	BYTE	WORD	DWORD	LWORD	USINT	UINT	UDINT	ULINT	SINT	INT	DINT	LINT	REAL	LREAL	TIME	DATE	TOD	DT	STRING
In[] (array)		OK	OK	OK	OK															
Size						OK														
Pos						OK														
Out		OK	OK	OK	OK															

## Function

The ColmToLine\_\*\* instruction extracts bit values from the specified position of array elements and outputs them in order as a bit string.

First, *Size* elements of In[] (array to convert) are extracted, starting from In[0].

Next, the value of the *Pos*-th bit of each element is extracted.

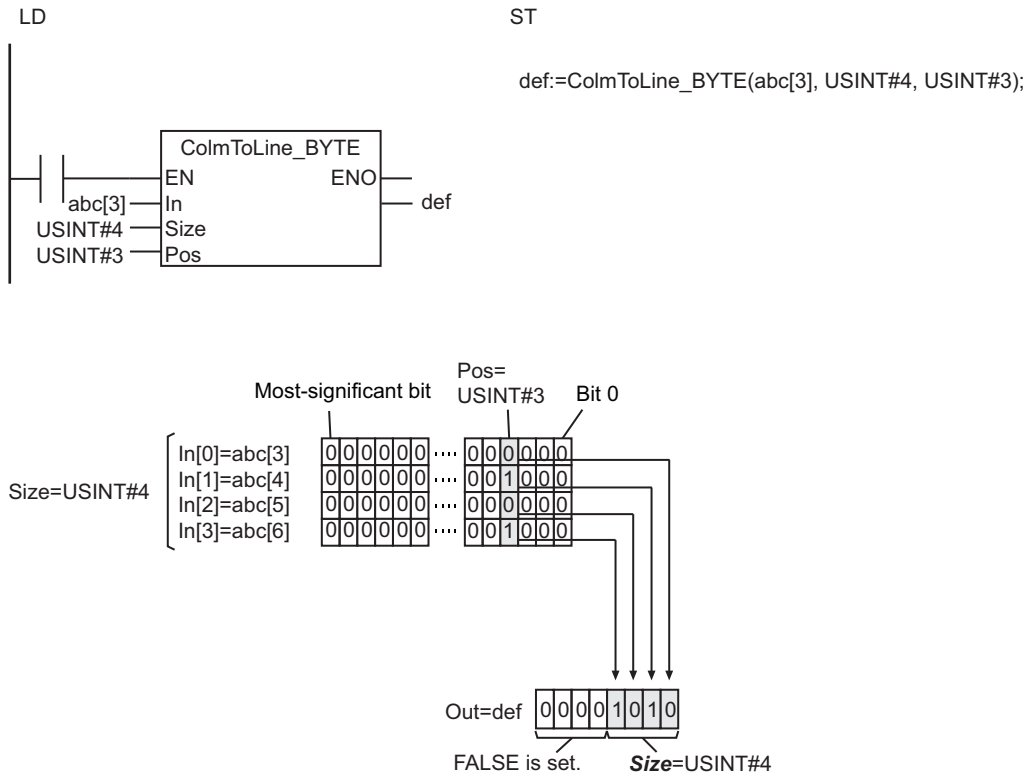
The extracted values are converted into a bit string of *Size* bits and stored in the lower bits of *Out* (conversion result).

The remaining bits of *Out* are set to FALSE.

The name of the instruction is determined by the data type of *Out*. For example, if *Out* is BYTE data, the name of the instruction is ColmToLine\_BYTE.

Always attach the element number to input parameter that is passed to *In[]*, e.g., *array[3]*.

The following example shows the ColmToLine\_BYTE instruction when *Pos* is USINT#3 and *Size* is USINT#4.



### Additional Information

Use the instruction, *LineToColm* on page 2-439, to output a bit string to the specified bit position in array elements.

### Precautions for Correct Use

- If the value of *Size* is 0, all the bits in *Out* change to FALSE.
- An error will occur in the following cases. *ENO* will be FALSE, and *Out* will not change.
  - a) The value of *Size* is outside the valid range.
  - b) The value of *Pos* is outside the valid range.
  - c) The value of *Size* exceeds the array area of *In[]*.



# LineToColm

The LineToColm instruction takes the bits from a bit string and outputs them to the specified bit position in array elements.

Instruction	Name	FB/ FUN	Graphic expression	ST expression
LineToColm	Line to Column Conversion	FUN		LineToColm(In, InOut, Size, Pos);

## Variables

	Meaning	I/O	Description	Valid range	Unit	Default
In	Data to convert	Input	Data to convert	Depends on data type.	---	*1
Size	Number of elements in result		Number of elements in result	0 to the number of bits in <i>In</i>		1
Pos	Conversion bit position		Bit position to receive the conversion	0 to No. of bits in <i>InOut[]</i> - 1		0
<i>InOut[]</i> (array)	Conversion result array	In-out	Conversion result	Depends on data type.	---	---
Out	Return value	Output	Always TRUE	TRUE only	---	---

\*1. If you omit the input parameter, the default value is not applied. A building error will occur.

	Boo lean	Bit strings				Integers							Real num bers		Times, durations, dates, and text strings					
	BOOL	BYTE	WORD	DWORD	LWORD	USINT	UINT	UDINT	ULINT	SINT	INT	DINT	LINT	REAL	LREAL	TIME	DATE	TOD	DT	STRING
In		OK	OK	OK	OK															
Size						OK														
Pos						OK														
<i>InOut[]</i> (array)		OK	OK	OK	OK															
Out	OK																			

## Function

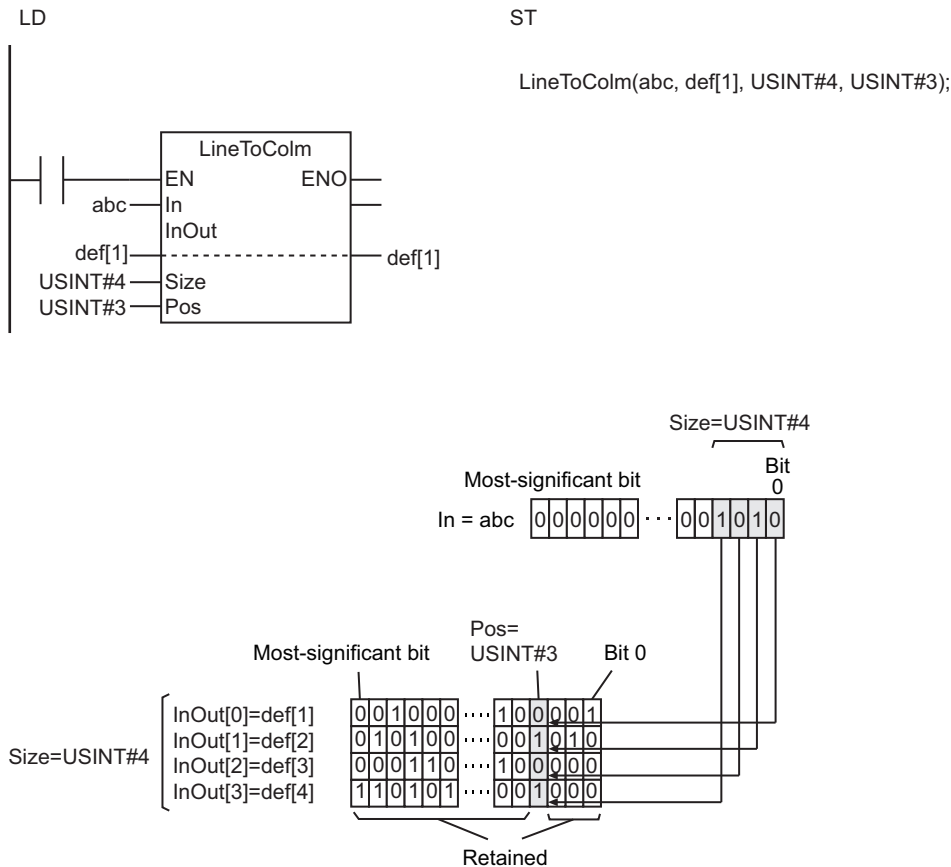
The LineToColm instruction takes the bits from a bit string and outputs them to the specified bit position in array elements.

First, the lower *Size* bits are extracted from *In* (data to convert), and handled as individual bits.

Next, each extracted bit is stored in the *Pos*-th bit of the corresponding element of *InOut*[], which begins with *InOut*[0]. The value of *Size* is equal to the number of array elements to which the extracted bits are assigned.

The values of all bits for which values are not stored are retained.

The following shows an example where *Pos* is *USINT#3* and *Size* is *USINT#4*.



### Additional Information

Use the instruction, *ColmToLine\_\*\** on page 2-437, to extract bit values from the specified position of array elements and output them as a bit string.

### Precautions for Correct Use

- If the value of *Size* is 0, the values in *InOut*[] will not change.
- Return value *Out* is not used when this instruction is used in ST.
- An error will occur in the following cases. *ENO* will be FALSE, and *InOut*[] will not change.
  - a) The value of *Size* is outside the valid range.
  - b) The value of *Pos* is outside the valid range.
  - c) The value of *Size* exceeds the array area of *InOut*[].

# Gray

The Gray instruction converts a gray code into an angle.

Instruction	Name	FB/ FUN	Graphic expression	ST expression
Gray	Gray Code Conversion	FUN		Out:=Gray(In, Resolution, ERC, ZPC);

## Variables

	Meaning	I/O	Description	Valid range	Unit	Default
In	Data to convert	Input	Gray code to convert	Depends on data type.	---	0
Resolution	Resolution		Resolution	_R256, _R1B to _R15B, _R360, _R720, or _R1024		_R256
ERC	Encoder remainder correction		Encoder remainder correction	0 to <i>Resolution</i>		0
ZPC	Zero point correction		Zero point correction			
Out	Conversion result	Output	Conversion result	*1	°	---

\*1. 0 to 3.5999999999999999e+2

	Boo lean	Bit strings				Integers							Real numbers		Times, durations, dates, and text strings					
	BOOL	BYTE	WORD	DWORD	LWORD	USINT	UINT	UDINT	ULINT	SINT	INT	DINT	LINT	REAL	LREAL	TIME	DATE	TOD	DT	STRING
In			OK																	
Resolution	Refer to <i>Function</i> on page 2-441 for the enumerators of the enumerated type <code>_eGRY_RESOLUTION</code> .																			
ERC							OK													
ZPC							OK													
Out														OK						

## Function

The Gray instruction converts the gray code in *In* (the output value from a rotary encoder) to an angle. The conversion result *Out* is in degrees.

The data type of *Resolution* is enumerated type `_eGRY_RESOLUTION`. The meanings of the enumerators are as follows:

Enumerator	Meaning
_R256	256
_R1B	1-bit (2)
_R2B	2-bit (4)
_R3B	3-bit (8)
_R4B	4-bit (16)
_R5B	5-bit (32)
_R6B	6-bit (64)
_R7B	7-bit (128)
_R8B	8-bit (256)
_R9B	9-bit (512)
_R10B	10-bit (1024)
_R11B	11-bit (2048)
_R12B	12-bit (4096)
_R13B	13-bit (8192)
_R14B	14-bit (16384)
_R15B	15-bit (32768)
_R360	360
_R720	720
_R1024	1024

## Gray Code

The Gray code is a reflected binary code.

Two successive values, such as 0 and 1 and 1 and 2, differ in only one bit.

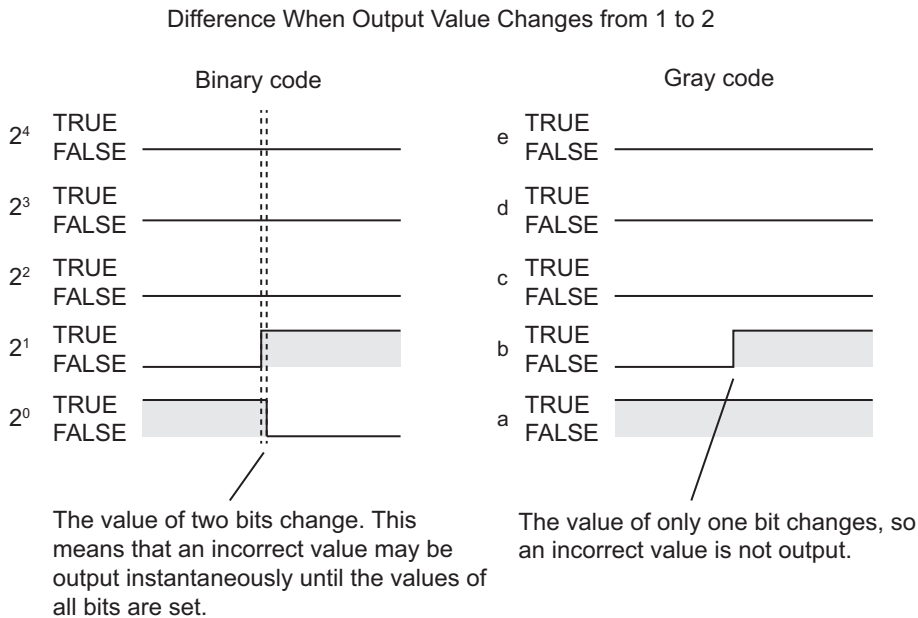
Gray codes are used for the output from absolute encoders.

The following tables shows the 4-bit Binary code and Gray code.

Decimal number	Binary code				Gray code			
	2 <sup>3</sup>	2 <sup>2</sup>	2 <sup>1</sup>	2 <sup>0</sup>	d	c	b	a
0	0	0	0	0	0	0	0	0
1	0	0	0	1	0	0	0	1
2	0	0	1	0	0	0	1	1
3	0	0	1	1	0	0	1	0
4	0	1	0	0	0	1	1	0
5	0	1	0	1	0	1	1	1
6	0	1	1	0	0	1	0	1
7	0	1	1	1	0	1	0	0
8	1	0	0	0	1	1	0	0
9	1	0	0	1	1	1	0	1
10	1	0	1	0	1	1	1	1
11	1	0	1	1	1	1	1	0
12	1	1	0	0	1	0	1	0
13	1	1	0	1	1	0	1	1
14	1	1	1	0	1	0	0	1
15	1	1	1	1	1	0	0	0

Using the Gray code enables prevention of instantaneously incorrect output values because only one bit in the Gray code will change when the output value of the encoder is incremented or decremented by 1.

The following figure shows the difference in the output value from an encoder for the Gray code and Binary code.



## ERC: Encoder Remainder Correction

The *ERC* variable is used to specify the Gray code range when the encoder resolution is not a power of 2. The range is specified so that there is only one bit difference between the maximum and minimum encoder output values.

For example, consider the use of an absolute encoder with a resolution of 360. Nine bits are used for the Gray code. The range that can be expressed with nine bits is 0 to 511. In this case, a range of 180 from the center of 0 to 511 is used for the Gray code, i.e., 76 to 435. Therefore, a Gray code of 001101010 (76 decimal) is output for an output value of 0, and a Gray code of 101101010 (435 decimal) is output for an output value of 359. There is a difference in only one bit between these values.

In this case, the value of encoder remainder correction *ERC* is 76.

Decimal	Gray code									<i>ERC</i> (encoder remainder correction)
	i	h	g	f	e	d	c	b	a	
0	0	0	0	0	0	0	0	0	0	76
...	...									
76	0	0	1	1	0	1	0	1	0	180
...	...									
255	0	1	0	0	0	0	0	0	0	180
256	1	1	0	0	0	0	0	0	0	
...	...									
435	1	0	1	1	0	1	0	1	0	76
...	...									
511	1	0	0	0	0	0	0	0	0	

Resolution: 360

For an output value of 0

There is a difference in only one bit.

For an output value of 359

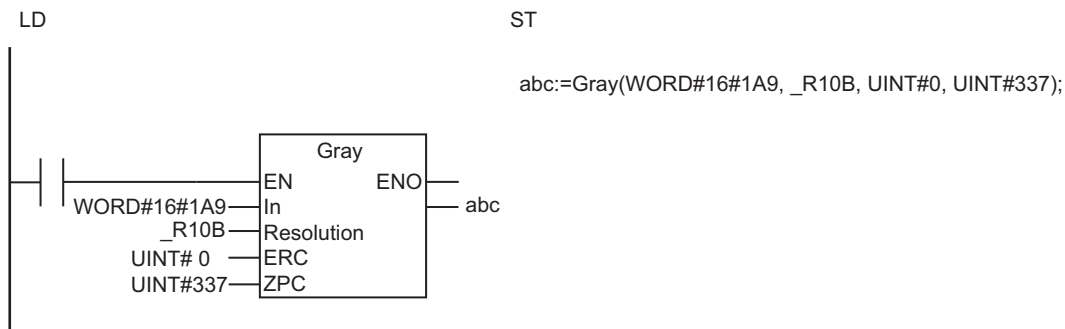
### ZPC: Zero Point Correction

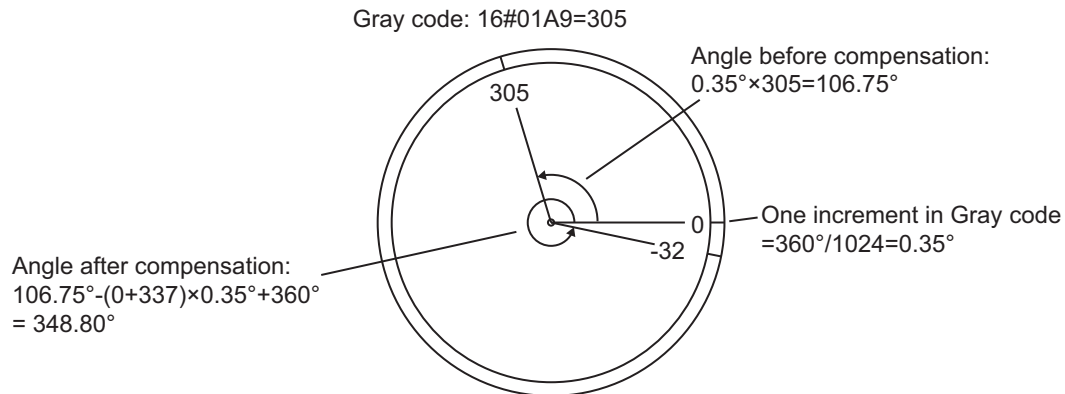
*ZPC* is set to offset the zero position of the rotary encoder. For example, when you offset the zero position of a rotary encoder with a resolution of 256 by 90 degrees, the value of *ZPC* would be  $256 \times (90/360)$ , or 64.

### Notation Example

The following shows an example where *In* is WORD#16#1A9, *Resolution* is \_R10B, *ERC* is UINT#0, and *ZPC* is UINT#337.

First, the resolution is 10 bits, so one increment in the Gray code is  $360^\circ/1,024$ , or  $0.35^\circ$ . A decimal value of 305 corresponds to a Gray code of 16#01A9. Therefore, the angle before compensation is  $0.35^\circ \times 305$ , or  $106.75^\circ$ . The value of *ERC* is 0 and the value of *ZPC* is 377. The angle after compensation is calculated as follows:  $106.75^\circ - (0 + 337) \times 0.35^\circ = -11.20^\circ$ . The range of *Out* is 0 or greater, so the value is calculated as follows:  $-11.20^\circ + 360^\circ = 348.80^\circ$ . The value of *Out* is LREAL#348.8.



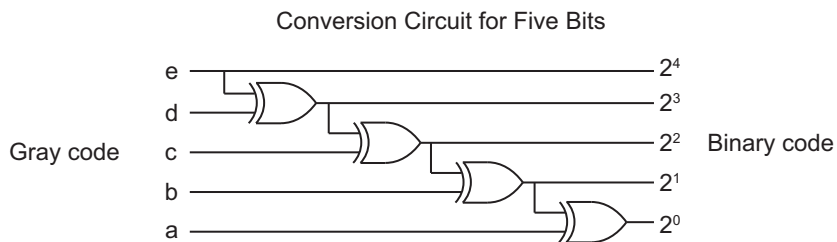


## Additional Information

Refer to the user documentation for your rotary encoder for values to specify for *Resolution* and *ERC*.

## Converting from Gray Code to Binary Code

The following processing can be used to convert from Gray code to Binary code. The logic symbols in the figure represent logical exclusive ORs.



## Precautions for Correct Use

An error will occur in the following cases. *ENO* will be FALSE, and *Out* will not change.

- The value of *Resolution* is outside the valid range.
- The value of *ERC* exceeds the resolution that is specified with *Resolution*.
- The value of *ZPC* exceeds the resolution that is specified with *Resolution*.
- When converted to a bit string, *In* is smaller than the value of *ERC*.
- The value of the bit string corrected with *ERC* exceeds the resolution that is specified with *Resolution*.

# UTF8ToSJIS

The UTF8ToSJIS instruction converts a UTF-8 text string to a SJIS BYTE array.

Instruction	Name	FB/ FUN	Graphic expression	ST expression
UTF8ToSJIS	UTF-8 to SJIS Character Code Conversion	FUN		Out:=UTF8ToSJIS(In, SJISCode);



## Version Information

A CPU Unit with unit version 1.01 or later and Sysmac Studio version 1.02 or higher are required to use this instruction.

## Variables

	Meaning	I/O	Description	Valid range	Unit	Default
In	Text string to convert	Input	Text string to convert	Depends on data type.	---	"
SJISCode[] (array)	SJIS array	In-out	Array of SJIS character codes	Depends on data type.	---	---
Out	Number of converted elements	Output	Number of elements stored in SJISCode[]	0 to 1985	---	---

	Boo lean	Bit strings				Integers							Real num- bers		Times, durations, dates, and text strings					
	BOOL	BYTE	WORD	DWORD	LWORD	USINT	UINT	UDINT	ULINT	SINT	INT	DINT	LINT	REAL	REAL	TIME	DATE	TOD	DT	STRING
In																				OK
SJISCode[] (array)		OK																		
Out							OK													

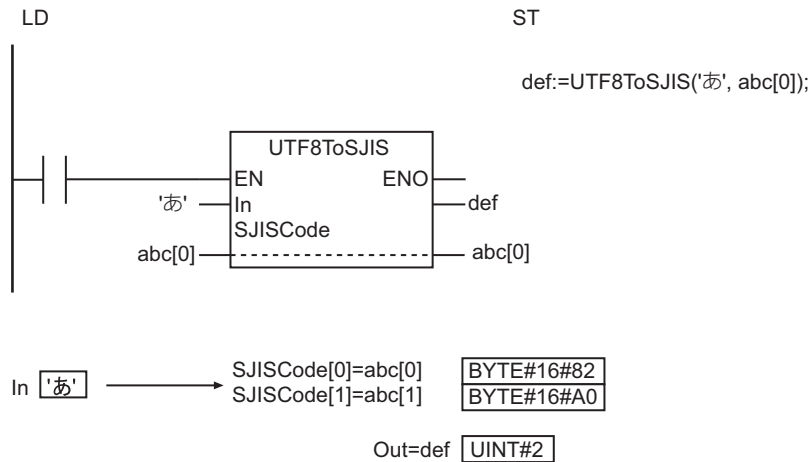
## Function

The UTF8ToSJIS instruction converts an UTF-8 text string, *In*, to a BYTE array encoded in SJIS, SJIS-Code[]. The converted data is separated into bytes, and each is stored in the corresponding element of SJISCode[] in order from SJISCode[0].

The number of SJISCode[] elements, where the converted data is stored, is assigned to *Out* (number of converted elements).

The following shows an example where *In* is 'あ'.





## Precautions for Correct Use

- NULL characters at the end of *In* are not converted. They are not counted for the number of converted elements, either.
- If the *In* text string contains only NULL characters, the value of *Out* will be 0 and *SJISCode*[] will not change.
- In the *SJISCode*[] array, subsequent elements after *Out* elements do not change. For example, if the number of converted elements is 5, *SJISCode*[5] and subsequent elements do not change.
- An error will occur in the following cases. *ENO* will be FALSE, and *Out* and *SJISCode*[] will not change.
  - a) The number of converted elements exceeds the range of the output parameter for *SJISCode*[].
  - b) *In* includes characters that cannot be converted.

# SJISToUTF8

The SJISToUTF8 instruction converts a SJIS BYTE array to a UTF-8 text string.

Instruction	Name	FB/ FUN	Graphic expression	ST expression
SJISToUTF8	SJIS to UTF-8 Character Code Conversion	FUN		Out:=SJISToUTF8(In, Size);



## Version Information

A CPU Unit with unit version 1.01 or later and Sysmac Studio version 1.02 or higher are required to use this instruction.

## Variables

	Meaning	I/O	Description	Valid range	Unit	Default
In[] (array)	SJIS array to convert	Input	Array encoded in SJIS to convert*1	Depends on data type.	---	*2
Size	Number of SJIS array elements		Number of elements of In[] to convert			---
Out	Resulting text string	Output	UTF-8 text string after conversion	Depends on data type.	---	---

\*1. The maximum number of elements is 1,986, including the NULL character (BYTE#16#00). The maximum number of elements is 1,985 without the NULL character.

\*2. If you omit the input parameter, the default value is not applied. A building error will occur.

	Boo lean	Bit strings				Integers								Real numbers		Times, durations, dates, and text strings					
	BOOL	BYTE	WORD	DWORD	LWORD	USINT	UINT	UDINT	ULINT	SINT	INT	DINT	LINT	REAL	LREAL	TIME	DATE	TOD	DT	STRING	
In[] (array)		OK																			
Size							OK														
Out																					OK

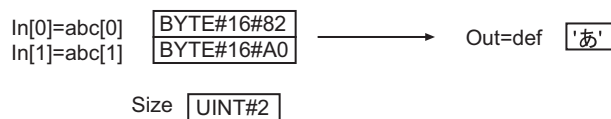
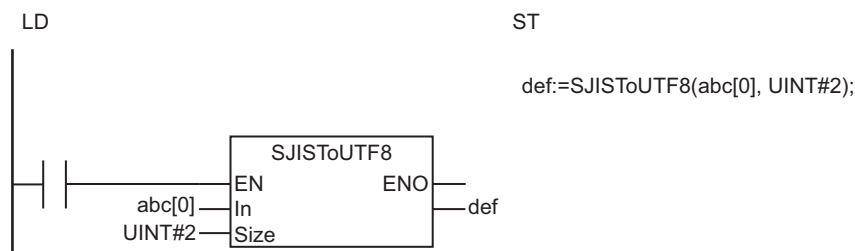
## Function

The SJISToUTF8 instruction converts the elements in a SJIS array to convert in In[] (a BYTE array) to a UTF-8 text string.

Size elements of In[], which begins with In[0], are converted. However, if a NULL character (BYTE#16#0) is included somewhere in the elements, the conversion is terminated at the point.

The converted text string is stored in Out (resulting text string). A NULL character is placed at the end of Out.

The following shows an example where  $In[0]$  is BYTE#16#82,  $In[1]$  is BYTE#16#A0, and  $Size$  is UINT#2.



## Precautions for Correct Use

- If the value of  $Size$  is 0,  $Out$  is a text string containing only NULL characters.
- An error will occur in the following cases.  $ENO$  will be FALSE, and  $Out$  will not change.
  - a) The value of  $Size$  exceeds the number of elements in  $In[]$ .
  - b) The contents of  $In[]$  includes characters that cannot be converted.

# PWLApprox and PWLApproxNoLineChk

The PWLApprox and PWLApproxNoLineChk instructions perform broken line approximations for integers or real numbers.

- PWLApprox : Checks the validity of the broken line data.  
 PWLApproxNoLineChk : Does not check the validity of the broken line data.

Instruction	Name	FB/ FUN	Graphic expression	ST expression
PWLApprox	Broken Line Approximation with Broken Line Data Check	FUN		Out:=PWLApprox(In, Line, Num);
PWLApprox-NoLineChk	Broken Line Approximation without Broken Line Data Check	FUN		Out:=PWLApproxNoLineChk(In, Line, Num);



## Version Information

A CPU Unit with unit version 1.03 or later and Sysmac Studio version 1.04 or higher are required to use the PWLApproxNoLineChk instruction.

## Variables

	Meaning	I/O	Description	Valid range	Unit	Default
In	Data to convert	Input	Data to convert	Depends on data type.	---	*1
Line[] (array)	Broken line data array		Broken line data array			
Num	Number of broken line data		Number of broken line data			
Out	Conversion result	Output	Conversion result	Depends on data type.	---	---

\*1. If you omit the input parameter, the default value is not applied. A building error will occur.

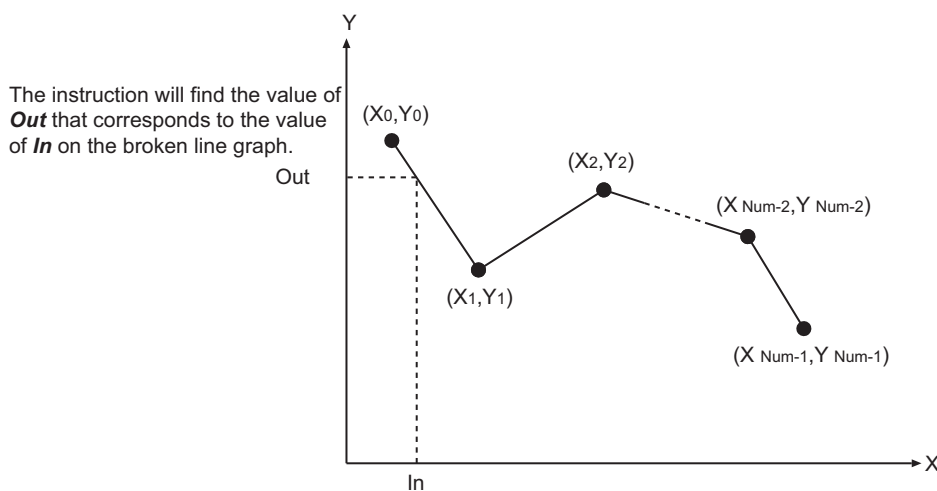
	Boo lean	Bit strings				Integers								Real num bers		Times, durations, dates, and text strings				
	BOOL	BYTE	WORD	DWORD	LWORD	USINT	UINT	UDINT	ULINT	SINT	INT	DINT	LINT	REAL	LREAL	TIME	DATE	TOD	DT	STRING
In						OK	OK	OK	OK	OK	OK	OK	OK	OK	OK					
Line[] (array)	Must be an array with elements that have the same data type as <i>In</i> .																			
Num						OK														

	Boo lean	Bit strings					Integers							Real num- bers		Times, durations, dates, and text strings				
	BOOL	BYTE	WORD	DWORD	LWORD	USINT	UINT	UDINT	ULINT	SINT	INT	DINT	LINT	REAL	LREAL	TIME	DATE	TOD	DT	STRING
Out						OK	OK	OK	OK	OK	OK	OK	OK	OK						

## Function

The PWLApprox and PWLApproxNoLineChk instructions perform approximation for data to convert *In*. The approximation is based on broken line data that consists of *Num* times 2 elements that start with Line[0,0] in broken line data array Line[].

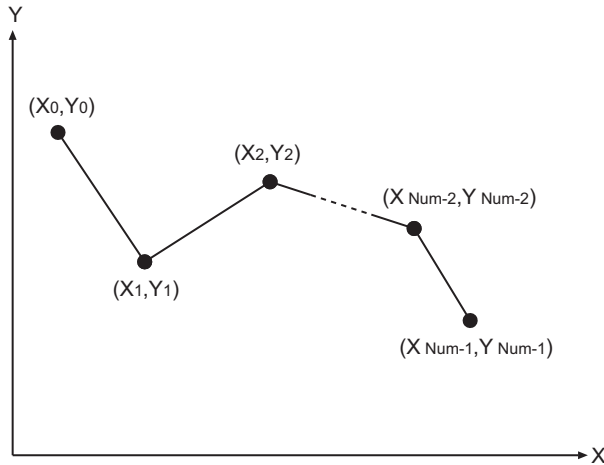
As shown below, the Y coordinate that corresponds to the X coordinate *In* of the broken line data is assigned to conversion result *Out*.



## Elements of Broken Line Data Array Line[] and Number of Broken Line Data Num

Line[] must be a two-dimensional or three-dimensional array. Set the number of elements for the first dimension to 2. Use the coordinate values  $(X_0, Y_0)$ ,  $(X_1, Y_1)$ , etc., of the points in the broken line data as the elements of Line[] as shown in the following figure.

The number of broken line data *Num* is one half of the number of elements of Line[], which is used in the broken line approximation calculations.



Using a Two-dimensional Array for *Line[]* Using a Three-dimensional Array for *Line[]*

Line[0,0]	X <sub>0</sub>
Line[0,1]	Y <sub>0</sub>
Line[1,0]	X <sub>1</sub>
Line[1,1]	Y <sub>1</sub>
Line[2,0]	X <sub>2</sub>
Line[2,1]	Y <sub>2</sub>
⋮	⋮
Line[Num-1,0]	X Num-1
Line[Num-1,1]	Y Num-1

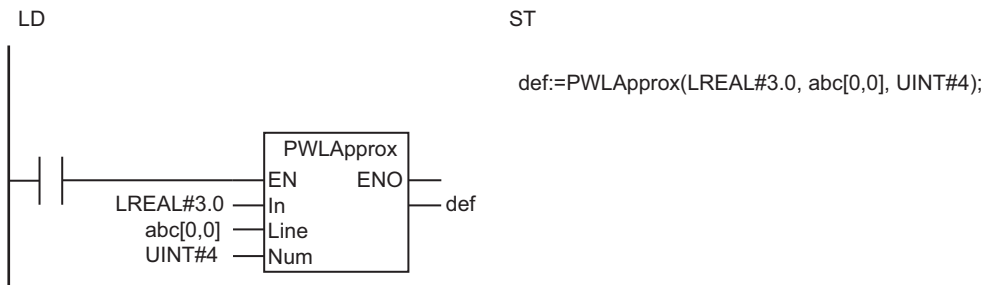
Line[0,0,0]	X <sub>0</sub>
Line[0,0,1]	Y <sub>0</sub>
Line[0,1,0]	X <sub>1</sub>
Line[0,1,1]	Y <sub>1</sub>
Line[0,2,0]	X <sub>2</sub>
Line[0,2,1]	Y <sub>2</sub>
⋮	⋮
Line[0, Num-1,0]	X Num-1
Line[0, Num-1,1]	Y Num-1

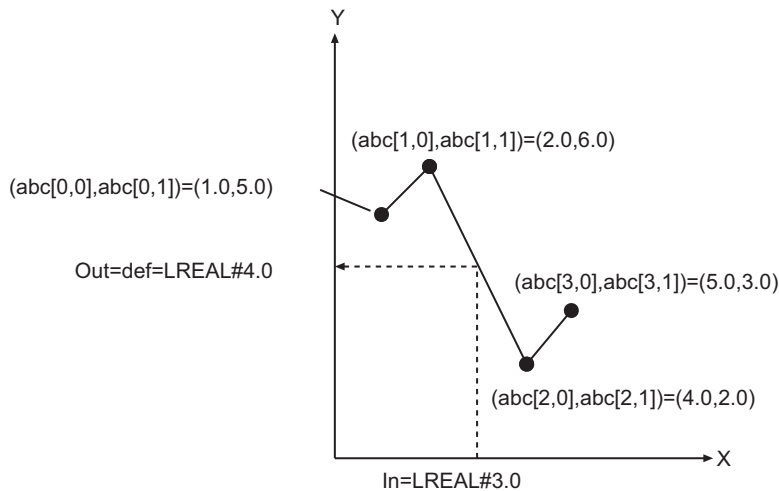
## Notation Example

The following shows an approximation example where *In* is LREAL 3.0, based on the broken line data array *abc[]* with four elements. In the example, *Num* is UINT#4, and each element value of *abc[]* is as below.

- $abc[0.0] = X_0 = \text{LREAL}\#1.0$ ,  $abc[0,1] = Y_0 = \text{LREAL}\#5.0$ ,
- $abc[1.0] = X_1 = \text{LREAL}\#2.0$ ,  $abc[1,1] = Y_1 = \text{LREAL}\#6.0$ ,
- $abc[2.0] = X_2 = \text{LREAL}\#4.0$ ,  $abc[2,1] = Y_2 = \text{LREAL}\#2.0$ ,
- $abc[3.0] = X_3 = \text{LREAL}\#5.0$ ,  $abc[3,1] = Y_3 = \text{LREAL}\#3.0$

After the conversion, the resulting value of *Out* will be LREAL#4.0.





## Difference between the PWLApprox and PWLApproxNoLineChk Instructions

The PWLApprox and PWLApproxNoLineChk instructions are different in the following points: the validity check of *In* and *Line[]*, and processing time. The specifications of both instructions are given in the following table.

Instruction	Checks	Processing when the data is not valid	Processing time
PWLApprox	<ul style="list-style-type: none"> <li>The contents of <i>Line[]</i> are checked to make sure the elements are in ascending order of the X coordinates.</li> <li>If <i>In</i> and <i>Line[]</i> are integers, <i>In</i> and the elements of <i>Line[]</i> are checked to make sure they are not nonnumeric data, positive infinity, or negative infinity.</li> </ul>	<ul style="list-style-type: none"> <li>An error occurs.</li> <li>The value of <i>ENO</i> will be FALSE.</li> <li>The value of <i>Out</i> will not change.</li> </ul>	Long
PWLApproxNoLineChk	No checks are performed.	<ul style="list-style-type: none"> <li>An error will not occur.</li> <li>The value of <i>ENO</i> will be TRUE.</li> <li>A valid value may not be output to <i>Out</i>.</li> </ul>	Short

## PWLApproxNoLineChk and PWLLineChk Instructions

As the PWLApproxNoLineChk instruction does not check the validity of *In* and *Line[]*, the processing time is short. Therefore, if you are sure that the input variables are valid, it is better to use the PWLApproxNoLineChk instruction rather than the PWLApprox instruction.

*PWLLineChk* on page 2-456 checks the contents of *Line[]* to see if X coordinates are in ascending order. You can shorten the processing time by using the PWLApproxNoLineChk instruction for normal operation, and use the *PWLLineChk* instruction only when you need to check if *Line[]* data is sorted in ascending order of X coordinates.

## Additional Information

You can also shorten the processing time by restricting the range of elements in the broken line data array that is used for approximation conversion.

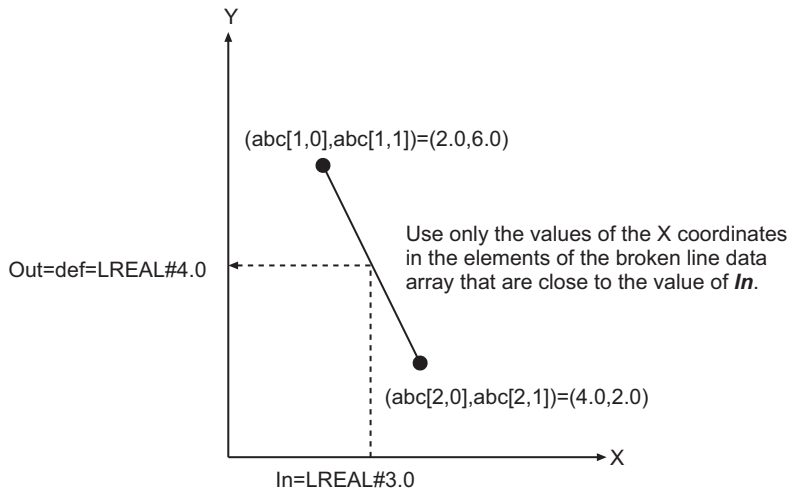
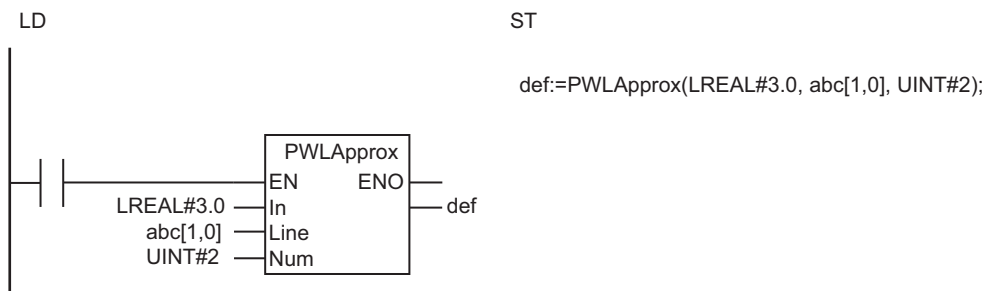
In the previous example, the processing time will be shorter for the value of *In* (LREAL#3.0) if the approximation is performed only with the following four elements, whose x-coordinate values are close to 3.0.

(abc[1,0], abc[1,1]) = (2.0, 6.0)

(abc[2,0], abc[2,1]) = (4.0, 2.0)

In this case, *Num* is UINT#2 and the element of abc[] that is passed to Line[] is abc[1,0].

The conversion result *Out* is still LREAL#4.0.



## Precautions for Correct Use

- If the value of *In* is smaller than the value of Line[0,0] (i.e., the value of  $X_1$ ), then the value of *Out* will be the value of Line[0,1] (i.e., the value of  $Y_1$ ).
- If the value of *In* is larger than the value of Line[Num-1,0] (i.e., the value of  $X_{Num}$ ), then the value of *Out* will be as below:

Line[Num-1,1] (i.e., the value of  $Y_{Num}$ )

- Line[] must be a two-dimensional or three-dimensional array. Set the number of elements for the first dimension to 2.
- If the value of *Num* is 0, the value of *Out* is 0.



- An error will occur for the PWLApprox instruction in the following cases. *ENO* will be FALSE, and *Out* will not change. The error will not occur for the PWLApproxNoLineChk instruction in the cases, though.
  - a) The X coordinates of the broken line data are not in ascending order; the condition  $X_1 < X_2 < \dots < X_{Num}$  is not met.
  - b) *In* and *Line[]* are REAL data and their values are nonnumeric data, positive infinity, or negative infinity.
- An error will occur for the PWLApprox instruction and the PWLApproxNoLineChk instruction in the following cases. *ENO* will be FALSE, and *Out* will not change.
  - a) The value of *Num* exceeds the array area of *Line[]*.
  - b) The value of *In* exceeds the domain of X coordinates of the broken line data that is specified with *Line[]*.

# PWLLineChk

The PWLLineChk instruction checks whether broken line data to be used for the PWLApproxNoLineCheck instruction is sorted in ascending order of X-coordinate values.

Instruction	Name	FB/ FUN	Graphic expression	ST expression
PWLLineChk	Broken Line Data Check	FUN		Out:=PWLLineChk(Line, Num);



## Version Information

A CPU Unit with unit version 1.03 or later and Sysmac Studio version 1.04 or higher are required to use this instruction.

## Variables

	Meaning	I/O	Description	Valid range	Unit	Default
Line[] (array)	Broken line data array	Input	Broken line data array	Depends on data type.	---	*1
Num	Number of broken line data		Number of broken line data			1
Out	Result	Output	Result	Depends on data type.	---	---

\*1. If you omit the input parameter, the default value is not applied. A building error will occur.

	Boo lean	Bit strings				Integers								Real num- bers		Times, durations, dates, and text strings				
	BOOL	BYTE	WORD	DWORD	LWORD	USINT	UINT	UDINT	ULINT	SINT	INT	DINT	LINT	REAL	LREAL	TIME	DATE	TOD	DT	STRING
Line[] (array)						OK	OK	OK	OK	OK	OK	OK	OK	OK	OK					
Num							OK													
Out	OK																			

## Function

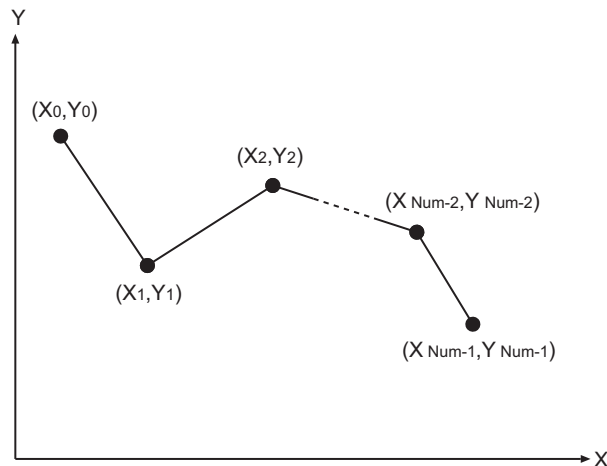
The PWLLineChk instruction is used to check whether the X coordinates in the broken line data array Line[] that is used for a Broken Line Approximation without Broken Line Data Check (PWLApproxNoLineChk) instruction are in ascending order.

If the X coordinates are in ascending order, result *Out* will be TRUE. If they are not, result *Out* will be FALSE.

## Elements of Broken Line Data Array *Line[]* and Number of Broken Line Data *Num*

*Line[]* must be a two-dimensional or three-dimensional array. Set the number of elements for the first dimension to 2. Use the coordinate values  $(X_0, Y_0), (X_1, Y_1)$ , etc., of the points in the broken line data as the elements of *Line[]* as shown in the following figure.

The number of broken line data *Num* is one half of the number of elements of *Line[]*, which is used in the broken line approximation calculations.



Using a Two-dimensional Array for *Line[]*      Using a Three-dimensional Array for *Line[]*

Line[0,0]	X <sub>0</sub>
Line[0,1]	Y <sub>0</sub>
Line[1,0]	X <sub>1</sub>
Line[1,1]	Y <sub>1</sub>
Line[2,0]	X <sub>2</sub>
Line[2,1]	Y <sub>2</sub>
:	:
Line[Num-1,0]	X <sub>Num-1</sub>
Line[Num-1,1]	Y <sub>Num-1</sub>

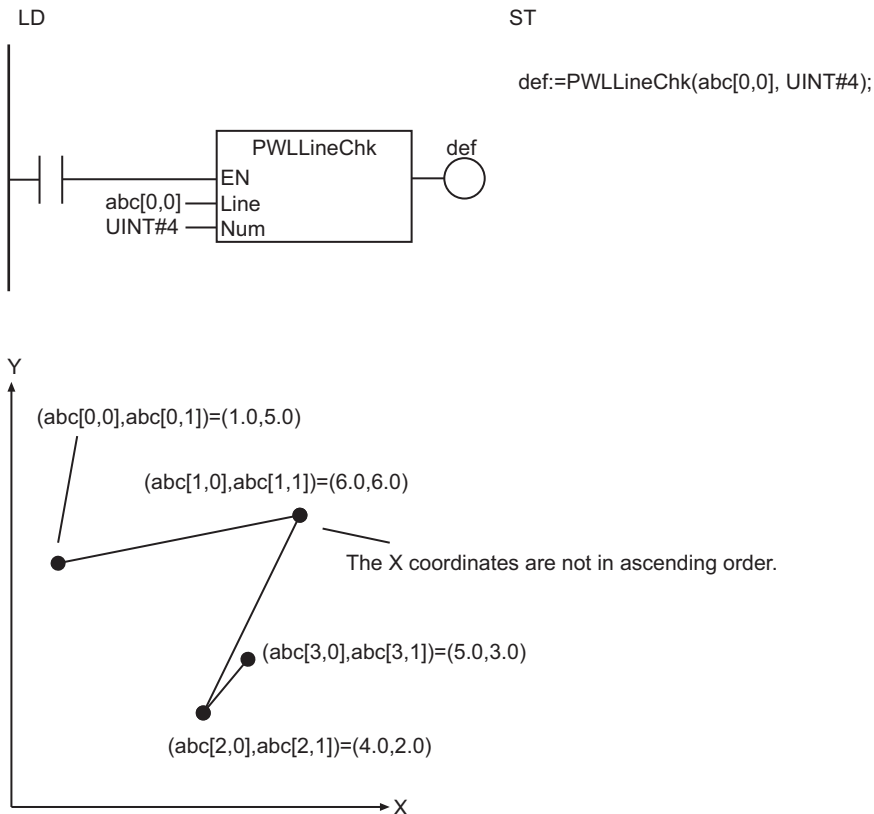
Line[0,0,0]	X <sub>0</sub>
Line[0,0,1]	Y <sub>0</sub>
Line[0,1,0]	X <sub>1</sub>
Line[0,1,1]	Y <sub>1</sub>
Line[0,2,0]	X <sub>2</sub>
Line[0,2,1]	Y <sub>2</sub>
:	:
Line[0, Num-1,0]	X <sub>Num-1</sub>
Line[0, Num-1,1]	Y <sub>Num-1</sub>

## Notation Example

In the following example, check whether the four elements of *abc[]* (broken line data array) are sorted in ascending order of the X-coordinate values. In this example, *Num* is `UINT#4`, and the elements of *abc[]* are as below.

- $abc[0.0] = X_0 = \text{LREAL}\#1.0$ ,  $abc[0.1] = Y_0 = \text{LREAL}\#5.0$ ,
- $abc[1.0] = X_1 = \text{LREAL}\#6.0$ ,  $abc[1.1] = Y_1 = \text{LREAL}\#6.0$ ,
- $abc[2.0] = X_2 = \text{LREAL}\#4.0$ ,  $abc[2.1] = Y_2 = \text{LREAL}\#2.0$ ,
- $abc[3.0] = X_3 = \text{LREAL}\#5.0$ ,  $abc[3.1] = Y_3 = \text{LREAL}\#3.0$

The X-coordinate values are not sorted in ascending order, so the value of *Out* is `FALSE`.



## Additional Information

- Use this instruction in combination with the *PWLApproxNoLineChk* instruction. Refer to *PWLApprox* and *PWLApproxNoLineChk* on page 2-450 for details on the *PWLApproxNoLineChk* instruction.
- Use the *PWLApprox* instruction to check the broken line data every time you perform broken line approximation. Refer to *PWLApprox* and *PWLApproxNoLineChk* on page 2-450 for details on the *PWLApprox* instruction. The processing time of the *PWLApproxNoLineChk* instruction is shorter than the processing time of the *PWLApprox* instruction.

## Precautions for Correct Use

- Line[] must be a two-dimensional or three-dimensional array. Set the number of elements for the first dimension to 2.
- An error will occur in the following cases. *Out* will be FALSE.
  - a) The value of *Num* exceeds the array area of Line[].
  - b) Line[] is REAL data, and its elements are nonnumeric data, positive infinity, or negative infinity.

# MovingAverage

The MovingAverage instruction calculates a moving average.

Instruction	Name	FB/ FUN	Graphic expression	ST expression
MovingAverage	Moving Average	FUN		Out:=MovingAverage(In, CurIndex, Buf, BufSize, Q);

## Variables

	Meaning	I/O	Description	Valid range	Unit	Default
In	Input value	Input	Number to include in average	Depends on data type.	---	*1
BufSize	Maximum number stored		Maximum number of elements to include in average			1
CurIndex	Input value storage position	In-out	Position in Buf[] to store <i>In</i>	Depends on data type.	---	---
Buf[] (array)	Input value storage array		Array to store <i>In</i> values			
Q	Calculation completed flag		TRUE: The number of values stored in Buf[] has reached or exceeded <i>BufSize</i> . FALSE: The number of values stored in Buf[] has not reached <i>BufSize</i> .			
Out	Calculation result	Output	Calculation result	Depends on data type.	---	---

\*1. If you omit the input parameter, the default value is not applied. A building error will occur.

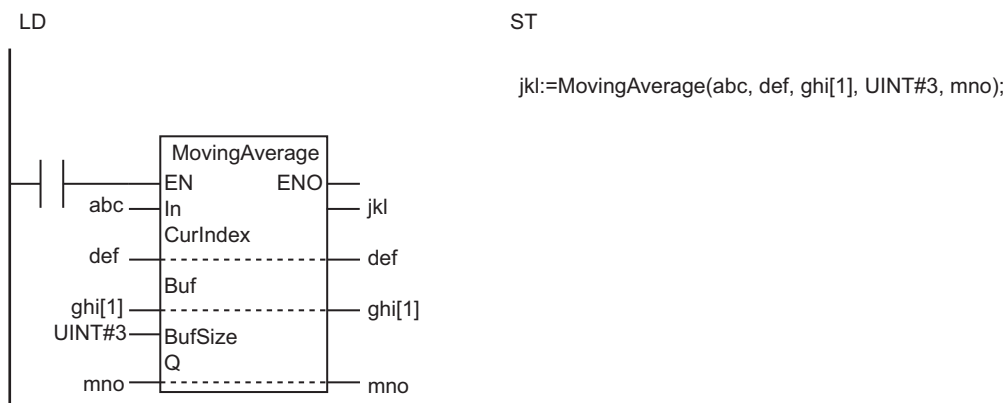
	Boo lean	Bit strings				Integers								Real num bers		Times, durations, dates, and text strings				
	BOOL	BYTE	WORD	DWORD	LWORD	USINT	UINT	UDINT	ULINT	SINT	INT	DINT	LINT	REAL	LREAL	TIME	DATE	TOD	DT	STRING
In						OK	OK	OK	OK	OK	OK	OK	OK	OK						
BufSize							OK													
CurIndex							OK													
Buf[] (array)	Must be an array with elements that have the same data type as <i>In</i> .																			

	Boo- lean	Bit strings				Integers								Real num- bers		Times, durations, dates, and text strings					
	BOOL	BYTE	WORD	DWORD	LWORD	USINT	UINT	UDINT	ULINT	SINT	INT	DINT	LINT	REAL	LREAL	TIME	DATE	TOD	DT	STRING	
Q	OK																				
Out						OK	OK	OK	OK	OK	OK	OK	OK	OK	OK						

## Function

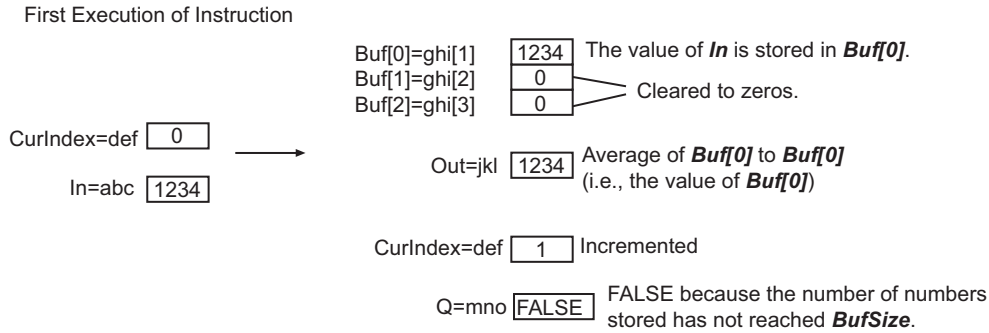
The `MovingAverage` instruction stores the value of *In* in `Buf[]` (input value storage array) each time it is executed. And then, it calculates the average of the input values and stores the result in `Out` (calculation result). `BufSize` specifies the maximum number of elements to be included in the average calculation.

The processing procedure is described in the following example, where `BufSize` is `UINT#3`. The instruction is executed as below.



### First Time a Number Is Input

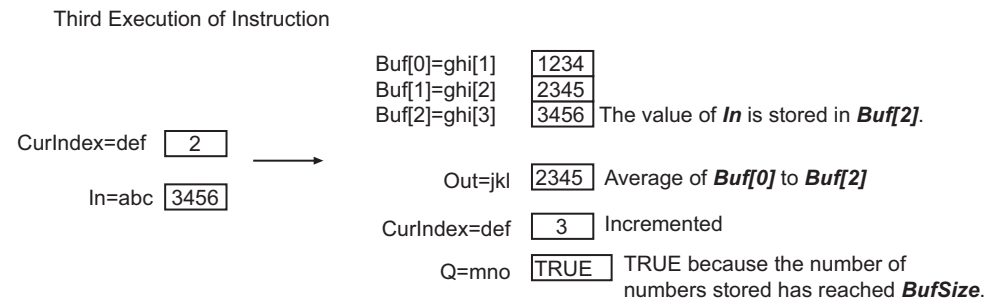
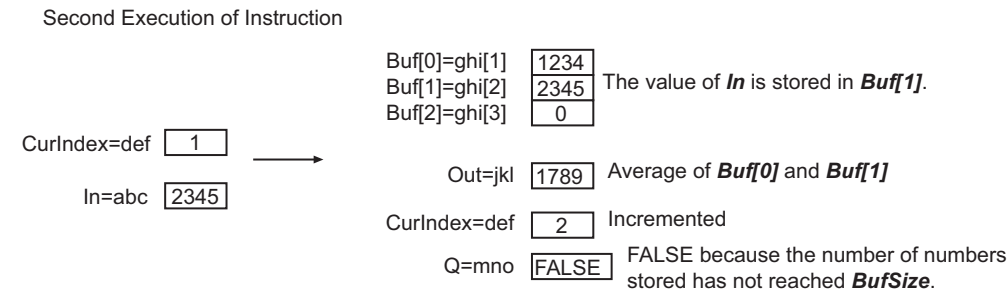
The input value storage position `CurIndex` is set to 0, and the instruction is executed. `Buf[0]` to `Buf[BufSize-1]` of input value storage array `Buf[]` are cleared to zeros, and the first input value *In* is stored in `Buf[0]`. The value of calculation completed flag *Q* changes to FALSE. This indicates that the number of values that are stored in `Buf[]` has not reached `BufSize` yet. While the value of *Q* is FALSE, the average value is calculated for the `CurIndex + 1` numbers that start from `Buf[0]`. The calculation result is stored in `Out`. Finally, the value of `CurIndex` is incremented.



## Inputting Numbers Up to *BufSize*

Each time the instruction is executed, the value of *In* is stored in Buf[CurIndex], which starts from Buf[0]. The instruction calculates the average of input values as many as CurIndex + 1, and stores the result in *Out*.

When the number of instruction executions reaches *BufSize*, the value of Q changes to TRUE.

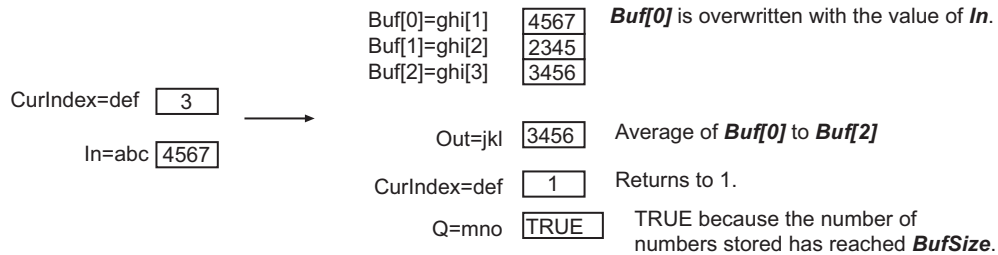


## Inputting Numbers after Reaching *BufSize*

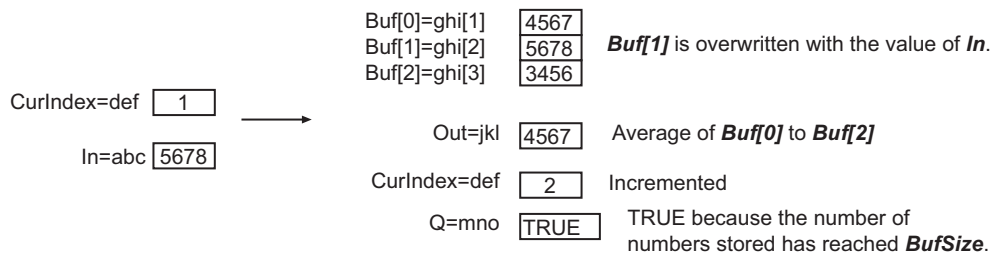
Each time the instruction is executed, Buf[0] to Buf[BufSize-1] are overwritten with the value of *In* in cyclic fashion. The average of Buf[0] to Buf[BufSize-1] is calculated and stored in *Out*.

The value of *CurIndex* returns to 1 after it reaches *BufSize*, and it is then incremented again. The value of Q remains TRUE.

## Fourth Execution of Instruction



## Fifth Execution of Instruction



## Initializing the Stored Values

If the value of *CurIndex* is set to 0 before the instruction is executed, the values in *Buf[0]* to *Buf[BufSize-1]* are once set to 0, and then the current value of *In* is stored in *Buf[0]*. The value of *CurIndex* changes to 1, and the value of *Q* changes to FALSE.

## Changing the Value of *BufSize*

If you change the value of *BufSize* and execute the instruction, operation is performed with the new value of *BufSize* and the current value of *CurIndex*.



Status before Instruction Execution BufSize=3

Buf[0]=ghi[1]	4567
Buf[1]=ghi[2]	2345
Buf[2]=ghi[3]	3456

Out=ijkl	3456
----------	------

CurIndex=def	2
--------------	---

Q=mno	TRUE
-------	------

Instruction Execution after Setting **BufSize** to 2

CurIndex=def	2
In=abc	5678

→

Buf[0]=ghi[1]	5678
Buf[1]=ghi[2]	2345
Buf[2]=ghi[3]	3456

**CurIndex** is equal to or higher than **BufSize**, so the value of **In** is stored in **Buf[1]**.

Not included in the average.

Out=ijkl	4011
----------	------

Average of **Buf[0]** and **Buf[1]**

CurIndex=def	1
--------------	---

**CurIndex** is equal to or higher than **BufSize**, so the value of **CurIndex** returns to 1.

Q=mno	TRUE
-------	------

TRUE because the number of numbers stored has reached **BufSize**.

## Precautions for Correct Use

- Use the same data type for *In* and the elements of *Buf[]*. If they are different, a building error will occur.
- Use a *Buf[]* array that is at least as large as the value of *BufSize*.
- Even if the calculation result exceeds the valid range of *Out*, an error will not occur. *Out* will contain an illegal value.
- If the value of *BufSize* is 0, the values of *Out* and *CurIndex* change to 0. The value of *Q* changes to TRUE.
- If you change the value of *BufSize*, always set the value of *CurIndex* to 0 and initialize the stored values.
- An error will occur in the following case. *ENO* will be FALSE, and *Out* will not change.
  - a) The value of *BufSize* exceeds the size of the *Buf[]* array.

## Sample Programming

This sample shows how to eliminate the effect of noise and other disturbances in analog input data, e.g., from a sensor.

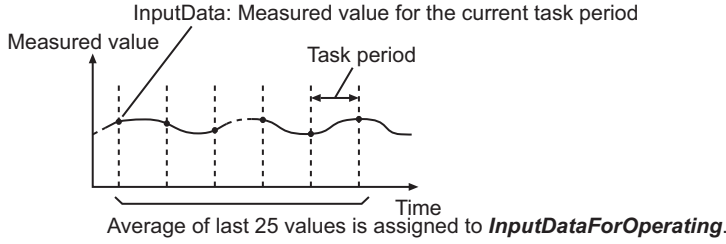
The average of the last 25 values of *InputData* (input data) is calculated as *DataAve*, which is assigned to *InputDataForOperating* as the input data for the next process.

*InputData* is input every task period as long as the value of *Trigger* (execution condition) is TRUE.

The most recent value of *InputData*, instead of the average value, is assigned to

*InputDataForOperating* until 25 values of *InputData* are input for calculating the average.

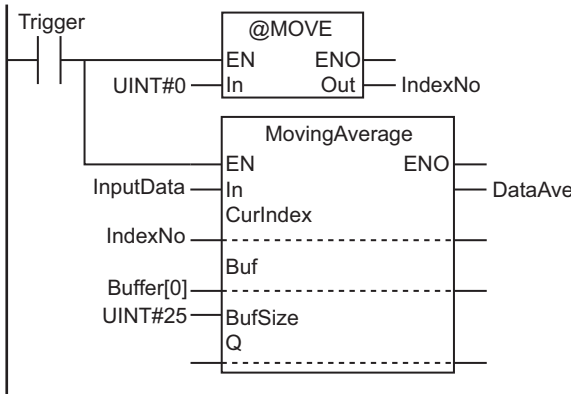
When the value of *Trigger* changes to TRUE, the calculated average is cleared and input of *InputData* is started again from the beginning.



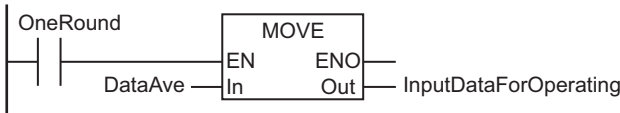
**LD**

Variable	Data type	Initial value	Comment
Trigger	BOOL	FALSE	Execution condition
InputData	INT	10	Input value
Buffer	ARRAY[0..24] OF INT	[25(0)]	Input value storage array
DataAve	INT	0	Average value
OneRound	BOOL	FALSE	Flag that indicates 25 inputs
IndexNo	UINT	0	Input value storage position
InputDataForOperating	INT	0	Input to next operation

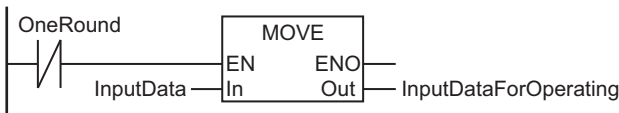
When **Trigger** changes to TRUE, 0 is assigned to **IndexNo**.  
 While **Trigger** is TRUE, the value of **InputData** is input every task period and the average is calculated.



When there are 25 or more input values for **InputData**, **DataAve** is assigned to **InputDataForOperating**.



Until there are 25 or more input values for **InputData**, **InputData** is assigned to **InputDataForOperating**.



**ST**

Variable	Data type	Initial value	Comment
Trigger	BOOL	FALSE	Execution condition

Variable	Data type	Initial value	Comment
LastTrigger	BOOL	FALSE	Value of <i>Trigger</i> from the previous task period
Operating	BOOL	FALSE	Processing
OperatingStart	BOOL	FALSE	Processing started
Buffer	ARRAY[0..24] OF INT	[25(0)]	Input value storage array
InputData	INT	10	Input value
DataAve	INT	0	Average value
OneRound	BOOL	FALSE	Flag that indicates 25 inputs
IndexNo	UINT	0	Input value storage position
InputDataForOperating	INT	0	Input to next operation

```

// Detect when Trigger changes to TRUE.
IF ((Trigger=TRUE) AND (LastTrigger=FALSE)) THEN
    OperatingStart:=TRUE;
    Operating:=TRUE;
END_IF;
LastTrigger:=Trigger;

// Clear the average.
IF (OperatingStart=TRUE) THEN
    IndexNo:=UINT#0;
    OperatingStart:=FALSE;
END_IF;

// Calculate the moving average.
IF (Operating=TRUE) THEN
    DataAve:=MovingAverage(
        In :=InputData,
        CurIndex:=IndexNo,
        Buf :=Buffer[0],
        BufSize :=UINT#25,
        Q :=OneRound);
    IF (OneRound=TRUE) THEN
        // Assign the average of last 25 values to InputDataForOperating.
        InputDataForOperating:=DataAve;
    ELSE
        // Assign the most recent value to InputDataForOperating.
        InputDataForOperating:=InputData;
    END_IF;
END_IF;

// End average processing.
IF (Trigger=FALSE) THEN
    Operating:=FALSE;
END_IF;

```

# DispartReal

The DispartReal instruction separates a real number into the signed mantissa and the exponent.

Instruction	Name	FB/ FUN	Graphic expression	ST expression
DispartReal	Separate Mantissa and Exponent	FUN		Out:=DispartReal(In, Fraction, Exponent);

## Variables

	Meaning	I/O	Description	Valid range	Unit	Default
In	Real number	Input	Real number to separate	Depends on data type.	---	*1
Out	Return value	Output	Always TRUE	TRUE only	---	---
Fraction	Signed mantissa		Signed mantissa	*2		
Exponent	Exponent		Exponent	*3		

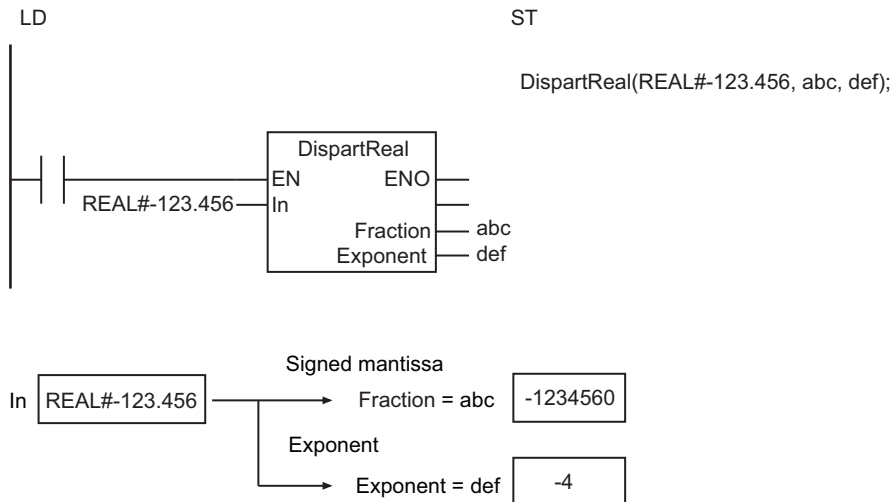
- \*1. If you omit the input parameter, the default value is not applied. A building error will occur.
- \*2. The valid ranges depend on the data types of *In* and *Fraction*. Refer to *Valid Range of Fraction* on page 2-467 for details.
- \*3. The valid range is from -44 to 32 if the data type of *In* is REAL data, and from -322 to 294 if it is LREAL data.

	Boo lean	Bit strings					Integers							Real num- bers		Times, durations, dates, and text strings				
	BOOL	BYTE	WORD	DWORD	LWORD	USINT	UINT	UDINT	ULINT	SINT	INT	DINT	LINT	REAL	LREAL	TIME	DATE	TOD	DT	STRING
In														OK	OK					
Out	OK																			
Fraction	Must be DINT if the data type of <i>In</i> is REAL, and LINT if it is LREAL.																			
Exponent											OK									

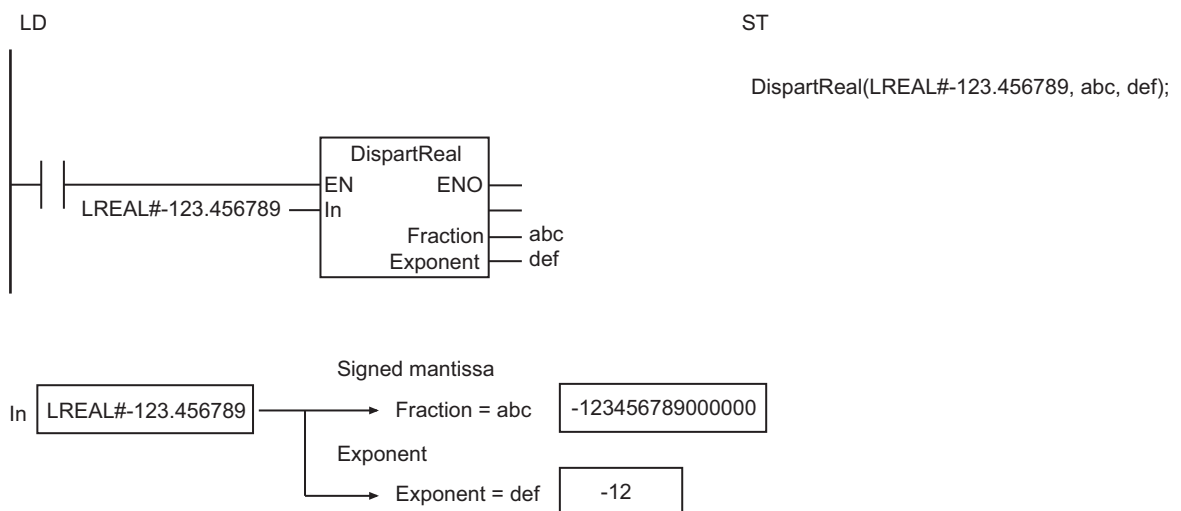
## Function

The DispartReal instruction separates *In* (real number) into the signed mantissa and exponent *Exponent*.

If *In* is REAL data, *Fraction* is a 7-digit integer. If *In* is LREAL data, *Fraction* is a 15-digit integer. The following shows an example where *In* is REAL#-123.456.



The following shows an example where *In* is LREAL#-123.456789.



## Valid Range of *Fraction*

The following table shows the valid value range of *Fraction* according to the data types of *In* and *Fraction*.

Data type of <i>In</i>	Data type of <i>Fraction</i>	Valid value range of <i>Fraction</i>
REAL	DINT	-9999999 to 9999999
LREAL	LINT	-9999999999999999 to 9999999999999999

## Additional Information

Use the instruction, *UniteReal* on page 2-469, to combine a signed mantissa and an exponent to form a real number.

## Precautions for Correct Use

- Depending on the value of *In*, error may occur in the conversion to an integer.

- If the number of valid digits in *In* exceeds the number of valid digits of *Fraction*, the value is rounded to fit in the valid range of *Fraction*.
- If you pass an integer parameter to *In*, the data type is converted as follows:

Data type of parameter that is passed to <i>In</i>	Data type of <i>In</i>
USINT, UINT, SINT, or INT	REAL
UDINT or DINT	LREAL
ULINT or LINT	A building error will occur.

- An error will occur in the following case. *ENO* will be FALSE, and *Fraction* and *Exponent* will not change.
  - a) The value of *In* is nonnumeric or infinity.

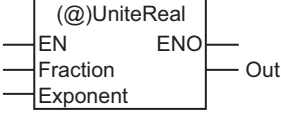
## Rounding Off

The following table shows how values are rounded.

Value of fractional part	Description	Examples
Less than 0.5	The fractional part is truncated.	1.49 → 1 -1.49 → -1
0.5	If the ones digit is an even number, the fractional part is truncated. If it is an odd number, the value is rounded up.	1.50 → 2 2.50 → 2 -1.50 → -2 -2.50 → -2
Greater than 0.5	The fractional part is rounded up.	1.51 → 2 -1.51 → -2

# UniteReal

The UniteReal instruction combines a signed mantissa and exponent to make a real number.

Instruction	Name	FB/ FUN	Graphic expression	ST expression
UniteReal	Combine Real Number Mantissa and Exponent	FUN		Out:=UniteReal(Fraction, Exponent);

## Variables

	Meaning	I/O	Description	Valid range	Unit	Default
Fraction	Signed mantissa	Input	Signed mantissa	Depends on data type.	---	*1
Exponent	Exponent		Exponent			0
Out	Real number	Output	Real number	Depends on data type.	---	---

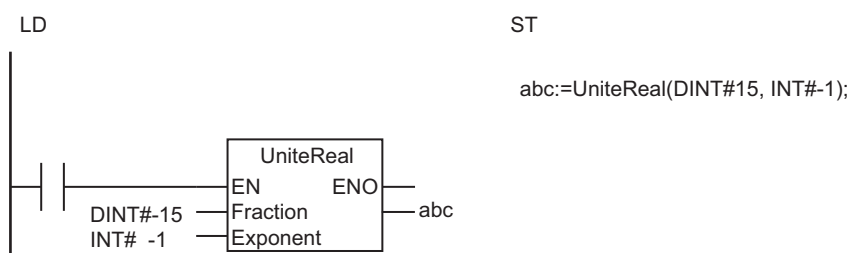
\*1. If you omit the input parameter, the default value is not applied. A building error will occur.

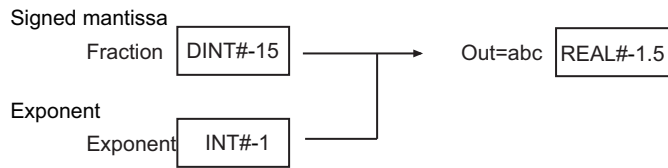
	Boolean	Bit strings					Integers							Real numbers		Times, durations, dates, and text strings				
	BOOL	BYTE	WORD	DWORD	LWORD	USINT	UINT	UDINT	ULINT	SINT	INT	DINT	LINT	REAL	LREAL	TIME	DATE	TOD	DT	STRING
Fraction											OK	OK								
Exponent										OK										
Out	Must be REAL if the data type of <i>Fraction</i> is DINT, and LREAL if it is LINT.																			

## Function

The UniteReal instruction combines signed mantissa *Fraction* and exponent *Exponent* to make real number *Out*.

The following shows an example where *Fraction* is DINT#-15 and *Exponent* is INT#-1.





### Additional Information

Use the instruction, *DispartReal* on page 2-466, to separate a real number into the signed mantissa and the exponent.

### Precautions for Correct Use

- Depending on the values of *Fraction* and *Exponent*, error may occur in the conversion from an integer to a real number.
- If the combined result exceeds the valid range of *Out* and *Exponent* is positive, the value of *Out* will be infinity with the same sign as *Fraction*. If *Exponent* is negative, the value of *Out* will be 0.



# NumToDecString and NumToHexString

NumToDecString : Converts an integer to a fixed-length decimal text string.

NumToHexString : Converts an integer to a fixed-length hexadecimal text string.

Instruction	Name	FB/ FUN	Graphic expression	ST expression
NumToDecString	Fixed-length Decimal Text String Conversion	FUN		Out:=NumToDecString(In, L, Fill);
NumToHexString	Fixed-length Hexadecimal Text String Conversion	FUN		Out:=NumToHexString(In, L, Fill);

## Variables

	Meaning	I/O	Description	Valid range	Unit	Default
In	Integer	Input	Integer	Depends on data type.	---	*1
L	Number of characters		Number of characters in <i>Out</i>	0 to 1985		1
Fill	Fill character		Fill character	_BLANK or _ZERO		_BLANK
Out	Text string	Output	Text string	Depends on data type.	---	---

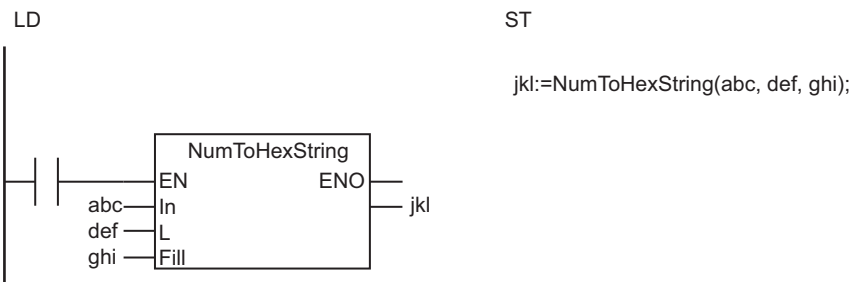
\*1. If you omit the input parameter, the default value is not applied. A building error will occur.

	Boolean	Bit strings					Integers							Real numbers		Times, durations, dates, and text strings				
	BOOL	BYTE	WORD	DWORD	LWORD	USINT	UINT	UDINT	ULINT	SINT	INT	DINT	LINT	REAL	LREAL	TIME	DATE	TOD	DT	STRING
In						OK	OK	OK	OK	OK	OK	OK								
L							OK													
Fill	Refer to <i>Function</i> on page 2-471 for the enumerators of the enumerated type <code>_eFILL_CHR</code> .																			
Out																				OK

## Function

For either instruction, the number of characters in text string *Out* is adjusted to number of characters *L*. If there are not enough characters, the upper digits are filled with fill character *Fill*.





In = abc = INT#128, L = def = UINT#8, Fill = ghi = \_BLANK

Out = jkl 

								8	0
--	--	--	--	--	--	--	--	---	---

In = abc = INT#128, L = def = UINT#8, Fill = ghi = \_ZERO

Out = jkl 

0	0	0	0	0	0	0	0	8	0
---	---	---	---	---	---	---	---	---	---

In = abc = INT#-128, L = def = UINT#8, Fill = ghi = \_BLANK

Out = jkl 

F	F	F	F	F	F	F	F	8	0
---	---	---	---	---	---	---	---	---	---

## Precautions for Correct Use

- If the value of *L* is 0, *Out* is a text string containing only NULL characters.
- If the number of characters in the conversion result exceeds the value of *L*, the lower *L* characters of the conversion result are stored in *Out*. The following is an example.

Instruction	Value of <i>In</i>	Value of <i>L</i>	Value of <i>Out</i>
NumToDecString	128	2	28
NumToHexString			80

- An error will occur in the following cases. *ENO* will be FALSE, and *Out* will not change.
  - a) The value of *L* is outside the valid range.
  - b) The value of *Fill* is outside the valid range.

# HexStringToNum\_\*\*

The HexStringToNum\_\*\* instruction converts a hexadecimal text string to an integer.

Instruction	Name	FB/ FUN	Graphic expression	ST expression
HexStringToNum_**	Hexadecimal Text String-to-Number Conversion Group	FUN		Out:=HexStringToNum_**(In); "***" must be an integer data type.

## Variables

	Meaning	I/O	Description	Valid range	Unit	Default
In	Hexadecimal text string	Input	Hexadecimal text string	Depends on data type.	---	"
Out	Integer	Output	Integer	Depends on data type.	---	---

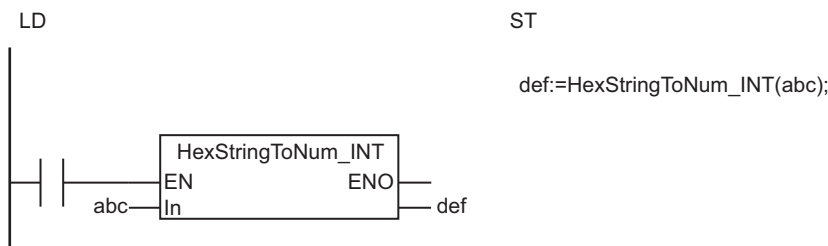
	Boo lean	Bit strings					Integers							Real numbers		Times, durations, dates, and text strings				
	BOOL	BYTE	WORD	DWORD	LWORD	USINT	UINT	UDINT	ULINT	SINT	INT	DINT	LINT	REAL	LREAL	TIME	DATE	TOD	DT	STRING
In																				OK
Out						OK	OK	OK	OK	OK	OK	OK	OK							

## Function

The HexStringToNum\_\*\* instruction converts hexadecimal text string *In* to an integer. Any spaces (16#20) or '0' (16#30) in the upper digits are ignored. Underbars (16#5F) in the text string are ignored.

The name of the instruction is determined by the data type of *Out*. For example, if the data type of *Out* is INT, the instruction name is HexStringToNum\_INT.

A few examples are given below.



In = abc 

						8	0
--	--	--	--	--	--	---	---

 → Out = def = 128

In = abc 

						-8	0
--	--	--	--	--	--	----	---

 → Out = def = -128

In = abc 

-	0	0	0	0	0	0	F
---	---	---	---	---	---	---	---

 → Out = def = -15

## Precautions for Correct Use

- Even if the conversion result exceeds the valid range of *Out*, an error will not occur. *Out* will contain an illegal value.
- An error will occur in the following case. *ENO* will be FALSE, and *Out* will not change.
  - a) *In* includes characters that cannot be converted to numbers.

# FixNumToString

The FixNumToString instruction converts a signed fixed-decimal number to a decimal text string.

Instruction	Name	FB/ FUN	Graphic expression	ST expression
FixNumToString	Fixed-decimal Number-to-Text String Conversion	FUN		Out:=FixNumToString(In, Zero);

## Variables

	Meaning	I/O	Description	Valid range	Unit	Default
In	Fixed-decimal number	Input	Signed fixed-decimal number	Depends on data type.	---	0
Zero	Zero augmentation		Augmentation of zeros if there are less than 3 decimal digits TRUE: Add '0' FALSE: Do not add '0'			TRUE
Out	Decimal text string	Output	Decimal text string	Depends on data type.	---	---

	Boo lean	Bit strings					Integers							Real num- bers		Times, durations, dates, and text strings				
	BOOL	BYTE	WORD	DWORD	LWORD	USINT	UINT	UDINT	ULINT	SINT	INT	DINT	LINT	REAL	LREAL	TIME	DATE	TOD	DT	STRING
In				OK																
Zero	OK																			
Out																				OK

## Function

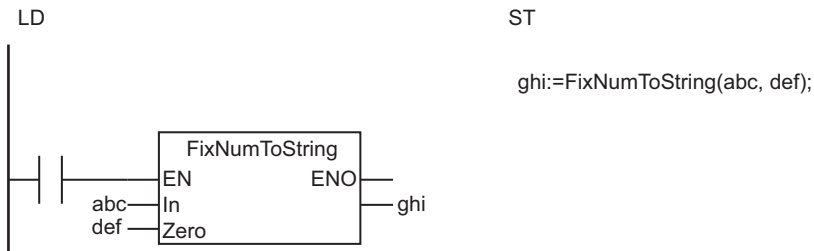
The FixNumToString instruction converts signed fixed-decimal number *In* to a decimal text string. The following conversion is performed.

- 1** The hexadecimal number *In* is converted to a decimal number.
- 2** The result is divided by 1,000.

Zero augmentation *Zero* specifies whether to pad decimal places of *Out* with '0' to make the value with three decimal digits when *In* has two or less decimal digits. If the value of *Zero* is TRUE, zero padding takes place.

A NULL character is placed at the end of *Out*.

A few examples are given below.



In = abc	Out = ghi	
	Zero = def = TRUE	Zero = def = FALSE
16#0001462C (10#83500)	'83.500'	'83.5'
16#00051AA4 (10#334500)	'334.500'	'334.5'
16#0003BEFC (10#245500)	'245.500'	'245.5'

## Additional Information

The format for fixed-point decimal numbers is the same as the fixed-decimal output format of the OM-RON FZ-series Vision Sensors.

# StringToFixNum

The StringToFixNum instruction converts a decimal text string to a signed fixed-decimal number.

Instruction	Name	FB/ FUN	Graphic expression	ST expression
StringToFix- Num	Text String-to- Fixed-decimal Conversion	FUN		Out:=StringToFixNum(In);

## Variables

	Meaning	I/O	Description	Valid range	Unit	Default
In	Decimal text string	Input	Decimal text string	Depends on data type.	---	"
Out	Fixed-decimal number	Output	Fixed-decimal number	Depends on data type.	---	---

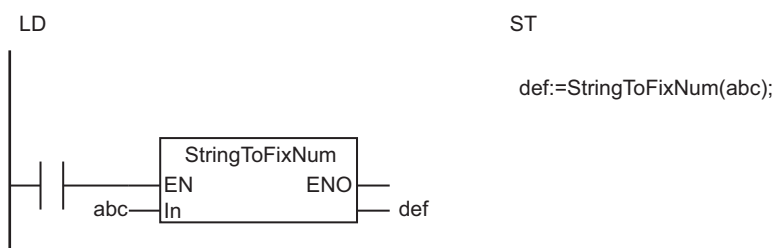
	Boo lean	Bit strings					Integers							Real num- bers		Times, durations, dates, and text strings				
	BOOL	BYTE	WORD	DWORD	LWORD	USINT	UINT	UDINT	ULINT	SINT	INT	DINT	LINT	REAL	LREAL	TIME	DATE	TOD	DT	STRING
In																				OK
Out				OK																

## Function

The StringToFixNum instruction converts decimal text string *In* to a fixed-decimal number. The following conversion is performed.

- 1** The number represented by *In* is multiplied by 1,000.
- 2** The fractional part is truncated.
- 3** The result is given as a 32-bit hexadecimal number (DWORD).

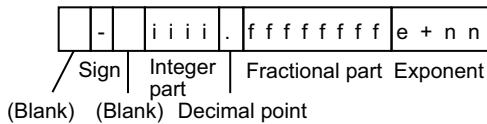
A few examples are given below.





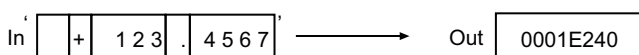
In = abc	Out = def
'83.5'	16#0001462C (10#83500)
'334.5'	16#00051AA4 (10#334500)
'245.5'	16#0003BEFC (10#245500)

The text sting format of *In* is given below.



Name	Format
Sign	<ul style="list-style-type: none"> <li>Any consecutive blank characters (16#20) at the beginning of the text string are ignored. Any single plus or minus sign that follows is treated as the sign.</li> <li>The sign can be omitted.</li> <li>Any consecutive blank characters after the sign are ignored.</li> </ul>
Integer part	<ul style="list-style-type: none"> <li>Numbers ('0' to '9') placed between the sign and the decimal point are taken as the integer part. The sign may be omitted. There may be blank characters between the sign and the integer part.</li> <li>If the decimal point and fractional part are omitted, the characters up to the exponent are taken as the integer part.</li> <li>If the decimal point, fractional part, and exponent are omitted, the characters up to the end of the text string are taken as the integer part.</li> <li>The integer part cannot be omitted.</li> <li>The maximum number of digits in the integer part is the maximum text string length of 1986 minus the total number of bytes in the following: the sign, decimal point, fractional part, exponent, and blank characters before and after the sign.</li> </ul>
Decimal point	<ul style="list-style-type: none"> <li>A single dot ('.') following the integer part is taken as the decimal point.</li> <li>Omit the decimal point if there is no fractional part.</li> </ul>
Fractional part	<ul style="list-style-type: none"> <li>Numbers ('0' to '9') placed between the decimal point and the exponent are taken as the fractional part.</li> <li>If the exponent is omitted, the characters up to the end of the text string are taken as the fractional part.</li> <li>The fractional part can be omitted. If there is no decimal point, then there is no fractional part.</li> <li>The fractional part can consist of a maximum of 15 digits.</li> </ul>
Exponent	<ul style="list-style-type: none"> <li>The exponent consists of a single 'e' or 'E' after the fractional part, a following single plus or minus sign, and the remaining numbers ('0' to '9') to the end of the text string.</li> <li>If there is no fractional part, then the above text string after the decimal point is taken as the exponent.</li> <li>If there is no decimal point or fractional part, then the above text string after the integer part is taken as the exponent.</li> <li>The exponent can be omitted.</li> <li>The numeric part of the exponent can consist of a maximum of three digits.</li> </ul>

Example 1: The following example uses the sign, decimal point, and fractional part, but does not use an exponent.



Example 2: The following example uses the sign, decimal point, fractional part, and exponent.

In 

+	1	.	2	3	4	5	6	7	e + 0 2
---	---	---	---	---	---	---	---	---	---------

 → Out 

0001E240
----------

Example 3: The following example does not use the sign, but uses the decimal point, fractional part, and exponent.

In 

1	2	3	4	5	.	6	7	e - 0 2
---	---	---	---	---	---	---	---	---------

 → Out 

0001E240
----------

Example 4: The following example does not use the sign, fractional part, decimal point, and exponent.

In 

1
---

 → Out 

00003E8
---------

### Additional Information

The format for fixed-point decimal numbers is the same as the fixed-decimal output format of the OM-RON FZ-series Vision Sensors.

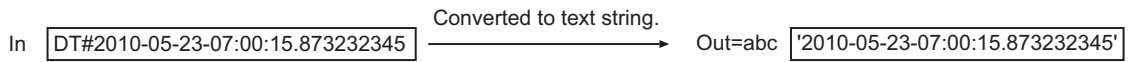
### Precautions for Correct Use

- The value of *In* is truncated to three decimal places.
- Underbars (16#5F) in the text string in *In* are ignored.
- An error will occur in the following cases. *ENO* will be FALSE, and *Out* will not change.
  - a) *In* includes characters that cannot be converted to numbers.
  - b) *In* has a decimal point, but not a fractional part.



The DtToString instruction converts date and time *In* to a text string.

The value of *In* is 7:00 am and 15.873232345 seconds on May 23, 2010, so the value of *abc* will be '2010-05-23-07:00:15.873232345'.

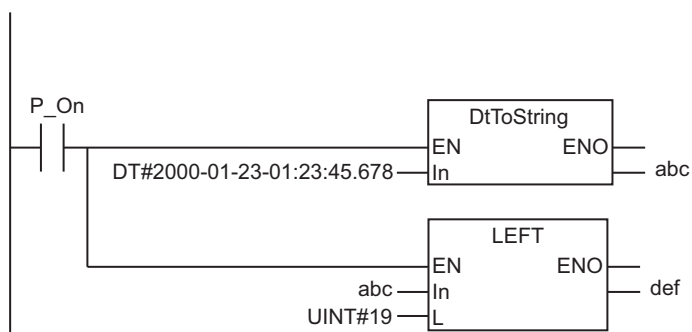


### Additional Information

*Out* is represented in nanoseconds. To get a text string in seconds or milliseconds, combine this instruction with the instructions, *LEFT* and *RIGHT* on page 2-586.

An example to get a text string in seconds is given below.

- LD



- ST

```
def:=LEFT(DtToString(DT#2000-01-23-01:23:45.678), UINT#19);
```

# DateToString

The DateToString instruction converts a date to a text string.

Instruction	Name	FB/ FUN	Graphic expression	ST expression
DateToString	Date-to-Text String Conversion	FUN		Out:=DateToString(In);

## Variables

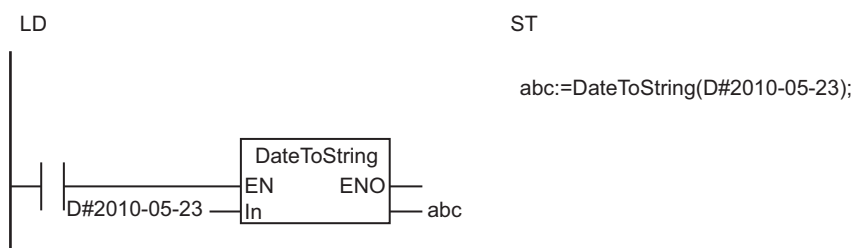
	Meaning	I/O	Description	Valid range	Unit	Default
In	Date	Input	Date	Depends on data type.	Year, month, day	DT#1970-1-1
Out	Text string	Output	Text string	11 bytes (10 single-byte alphanumeric characters plus the final NULL character)	---	---

	Boo lean	Bit strings					Integers							Real numbers		Times, durations, dates, and text strings				
	BOOL	BYTE	WORD	DWORD	LWORD	USINT	UINT	UDINT	ULINT	SINT	INT	DINT	LINT	REAL	LREAL	TIME	DATE	TOD	DT	STRING
In																	OK			
Out																				OK

## Function

The DateToString instruction converts date *In* to a text string. A NULL character is placed at the end of *Out*.

The following shows an example where *In* is 2010-5-23 (May 23, 2010). The value of variable *abc* will be '2010-05-23'.



The `DateToString` instruction converts date *ln* to a text string.  
The value of *ln* is May 23, 2010, so the value of *abc* will be '2010-05-23'.

In D#2010-05-23  $\xrightarrow{\text{Converted to text string.}}$  Out=abc '2010-05-23'

# TodToString

The TodToString instruction converts a time of day to a text string.

Instruction	Name	FB/ FUN	Graphic expression	ST expression
TodToString	Time of Day-to-Text String Conversion	FUN		Out:=TodToString(In);

## Variables

	Meaning	I/O	Description	Valid range	Unit	Default
In	Time of day	Input	Time of day	Depends on data type.	Hour, minutes, seconds	TOD#0:0:0
Out	Text string	Output	Text string	19 bytes (18 single-byte alphanumeric characters plus the final NULL character)	---	---

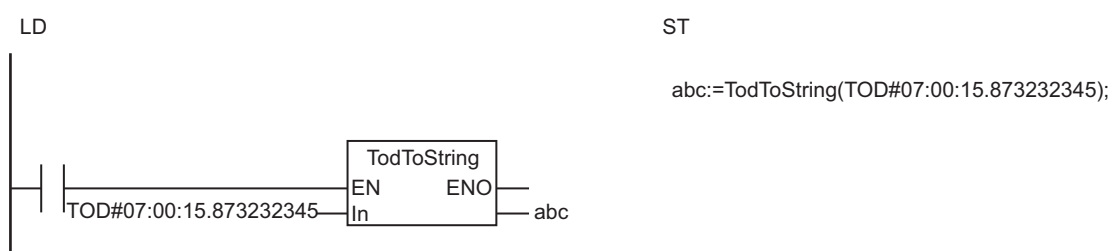
	Boolean	Bit strings					Integers							Real numbers		Times, durations, dates, and text strings				
	BOOL	BYTE	WORD	DWORD	LWORD	USINT	UINT	UDINT	ULINT	SINT	INT	DINT	LINT	REAL	LREAL	TIME	DATE	TOD	DT	STRING
In																		OK		
Out																				OK

## Function

The TodToString instruction converts time of day *In* to a text string. A NULL character is placed at the end of *Out*.

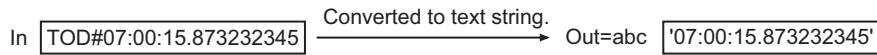
The following shows an example where *In* is 07:00:15.873232345 (7:00 am and 15.873232345 seconds).

The value of variable *abc* will be '07:00:15.873232345'.



The TodToString instruction converts time of day *In* to a text string.

The value of *In* is 7:00 am and 15.873232345 seconds, so the value of *abc* will be '07:00:15.873232345'.



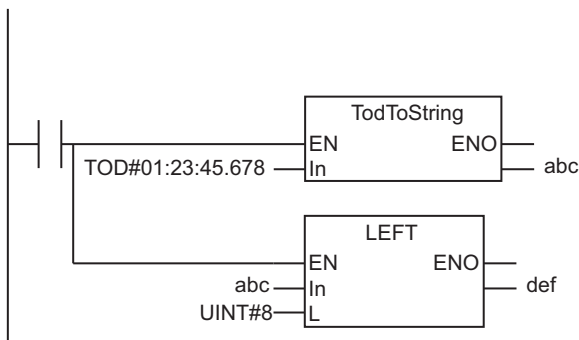
### Additional Information

*Out* is represented in nanoseconds.

To get a text string in seconds or milliseconds, combine this instruction with the instructions, *LEFT* and *RIGHT* on page 2-586.

An example to get a text string in seconds is given below.

- LD



- ST

```
def:=LEFT(TodToString(TOD#01:23:45.678), UINT#8);
```



# GrayToBin\_\*\* and BinToGray\_\*\*

GrayToBin\_\*\* : Converts a gray code to a bit string.

BinToGray\_\*\* : Converts a bit string to a gray code.

Instruction	Name	FB/ FUN	Graphic expression	ST expression
GrayToBin_**	Gray Code-to-Binary Code Conversion Group	FUN	<p>*** must be a bit string data type.</p>	Out:=GrayToBin_**(In); *** must be a bit string data type.
BinToGray_**	Binary Code-to-Gray Code Conversion	FUN	<p>*** must be a bit string data type.</p>	Out:=BinToGray_**(In); *** must be a bit string data type.

## Variables

	Meaning	I/O	Description	Valid range	Unit	Default
In	Data to convert	Input	Data to convert	Depends on data type.	---	0
Out	Conversion result	Output	Conversion result	Depends on data type.	---	---

	Boo lean	Bit strings				Integers							Real num- bers		Times, durations, dates, and text strings					
	BOOL	BYTE	WORD	DWORD	LWORD	USINT	UINT	UDINT	ULINT	SINT	INT	DINT	LINT	REAL	LREAL	TIME	DATE	TOD	DT	STRING
In		OK	OK	OK	OK															
Out	Must be the same data type as <i>In</i>																			

## Function

The names of the instructions are determined by the data types of *In* and *Out*. For example, if *In* and *Out* are the WORD data type, the names of the instructions are GrayToBin\_WORD and BinToGray\_WORD.

### GrayToBin\_\*\*

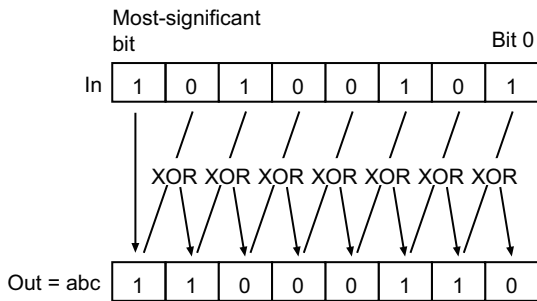
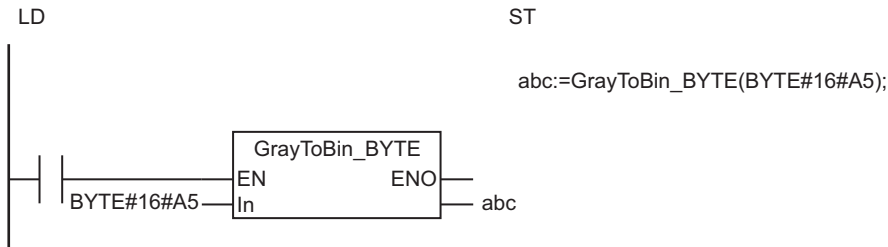
The GrayToBin\_\*\* instructions convert the gray code in date to convert *In* to a bit string.

If *In* and *Out* are BYTE data, the conversion procedure is as follows.

- 1 The most-significant bit (bit 7) of *In* is assigned to the most-significant bit (bit 7) of *Out*.

- 2** The result of an exclusive logical OR operation on bit 6 of *In* and bit 7 of *Out* is assigned to bit 6 of *Out*.
- 3** This process is repeated through the least-significant bit (bit 0) of *Out*.

The following shows an example where *In* is BYTE#16#A5 for the GrayToBin\_BYTE instruction.



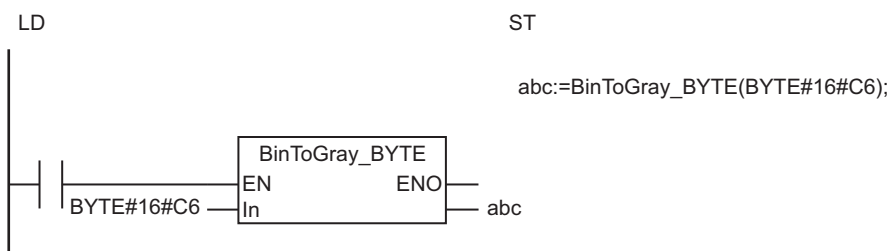
## BinToGray\_\*\*

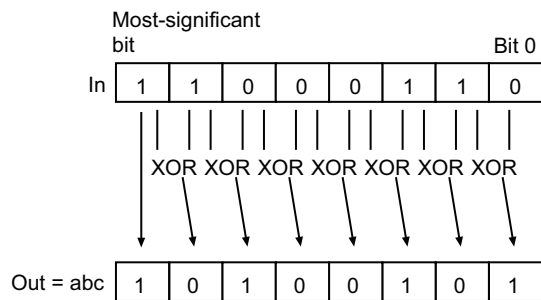
The BinToGray\_\*\* instructions convert the bit string in data to convert *In* to a gray code.

If *In* and *Out* are BYTE data, the conversion procedure is as follows.

- 1** The most-significant bit (bit 7) of *In* is assigned to the most-significant bit (bit 7) of *Out*.
- 2** The result of an exclusive logical OR operation on bit 7 of *In* and bit 6 of *In* is assigned to bit 6 of *Out*.
- 3** This process is repeated through the least-significant bit (bit 0) of *Out*.

The following shows an example where *In* is BYTE#16#C6 for the BinToGray\_BYTE instruction.





## Precautions for Correct Use

The data types of *In* and *Out* must be the same.

# StringToAry

The StringToAry instruction converts a text string to a BYTE array.

Instruction	Name	FB/ FUN	Graphic expression	ST expression
StringToAry	Text String-to-Array Conversion	FUN		Out:=StringToAry(In, AryOut);

## Variables

	Meaning	I/O	Description	Valid range	Unit	Default
In	Text string	Input	Text string	Depends on data type.	---	"
AryOut[] (array)	BYTE array	In-out	BYTE array	Depends on data type.	---	---
Out	Number of bytes to convert	Output	Number of bytes to convert	0 to 1985	Bytes	---

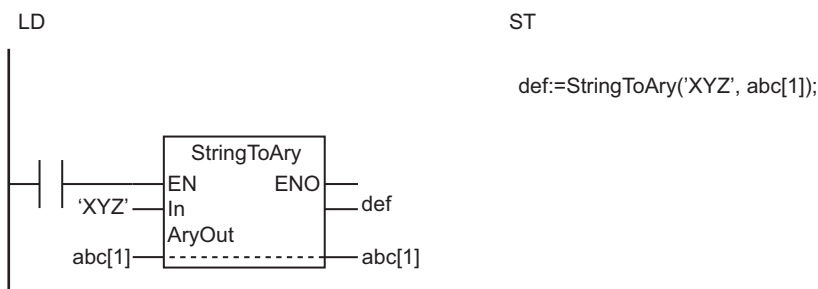
	Boolean	Bit strings				Integers								Real numbers		Times, durations, dates, and text strings				
	BOOL	BYTE	WORD	DWORD	LWORD	USINT	UINT	UDINT	ULINT	SINT	INT	DINT	LINT	REAL	LREAL	TIME	DATE	TOD	DT	STRING
In																				OK
AryOut[] (array)		OK																		
Out							OK													

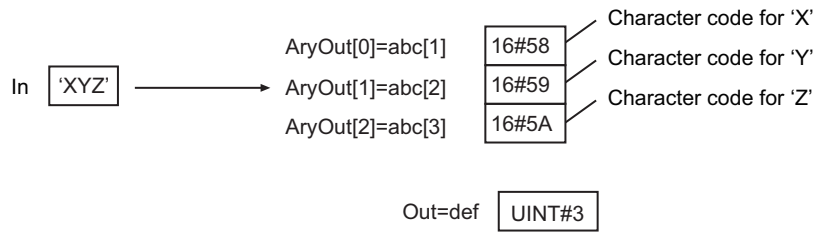
## Function

The StringToAry instruction processes the character codes in text string *In* as numeric values, and assigns each numeric value to the corresponding element of the BYTE array, *AryOut[]*.

The number of converted bytes is stored in *Out*.

The following shows an example where *In* is 'XYZ'.





## Precautions for Correct Use

- The NULL character at the end of *In* is not stored in *AryOut*[].
- If the *In* text string contains only NULL characters, the value of *Out* will be 0 and *AryOut*[] will not change.
- An error will occur in the following case. *ENO* will be FALSE, and *Out* and *AryOut*[] will not change.
  - a) The number of bytes in *In* is larger than the number of elements in *AryOut*[].

# AryToString

The AryToString instruction converts a BYTE array to a text string.

Instruction	Name	FB/ FUN	Graphic expression	ST expression
AryToString	Array-to-Text String Conversion	FUN		Out:=AryToString(In, Size);

## Variables

	Meaning	I/O	Description	Valid range	Unit	Default
In[] (array)	BYTE array	Input	BYTE array Maximum number of elements: 1985	Depends on data type.	---	*1
Size	Number of elements to convert		Number of elements of In[] for conversion	0 to 1985		1
Out	Text string	Output	Text string	Depends on data type.	---	---

\*1. If you omit the input parameter, the default value is not applied. A building error will occur.

	Boo lean	Bit strings				Integers							Real numbers		Times, durations, dates, and text strings					
	BOOL	BYTE	WORD	DWORD	LWORD	USINT	UINT	UDINT	ULINT	SINT	INT	DINT	LINT	REAL	LREAL	TIME	DATE	TOD	DT	STRING
In[] (array)		OK																		
Size							OK													
Out																				OK

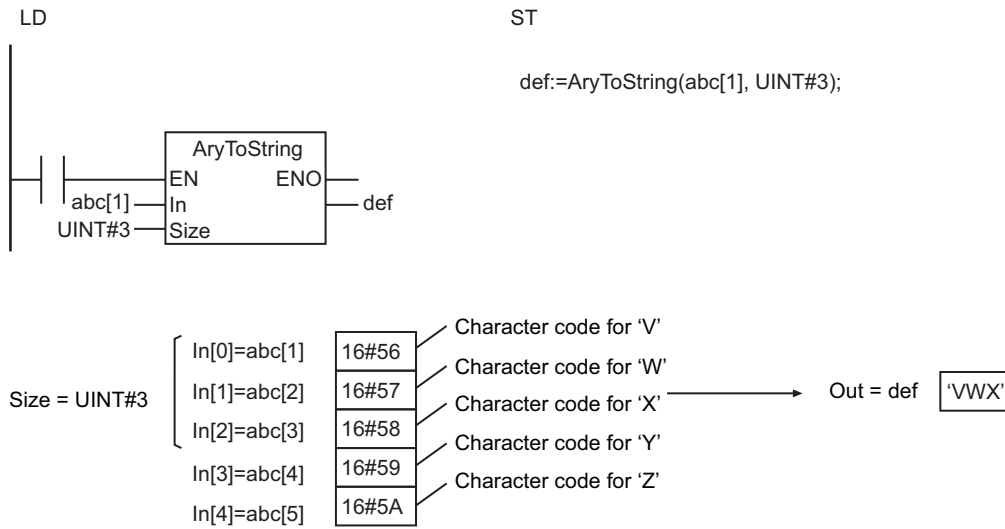
## Function

The AryToString instruction processes the elements of In[] (BYTE array), which begin with In[0], as character codes, and converts them into a text string to be stored in Out.

A NULL character is placed at the end of Out.

Size specifies the number of elements of In[] to convert. If a NULL character is included between In[0] and In[Size-1], only character codes before the Null character are stored in Out.

The following shows an example where Size is UINT#3.



### Precautions for Correct Use

- If the value of *Size* is 0, *Out* is a text string containing only NULL characters.
- An error occurs in the following case. *ENO* will be FALSE, and *Out* will not change.
  - a) The value of *Size* exceeds the array area of `In[]`.

# DispartDigit

The DispartDigit instruction separates a bit string into 4-bit units.

Instruction	Name	FB/ FUN	Graphic expression	ST expression
DispartDigit	Four-bit Separation	FUN		DispartDigit(In, Num, AryOut);

## Variables

	Meaning	I/O	Description	Valid range	Unit	Default
In	Data to separate	Input	Bit string to separate	Depends on data type.	---	*1
Num	Number of digits to separate		Number of digits to separate	0 to the number of bits in <i>In</i>		1
AryOut[] (array)	Separation results array	In-out	Separation results array	16#00 to 16#0F	---	---
Out	Return value	Output	Always TRUE	TRUE only	---	---

\*1. If you omit the input parameter, the default value is not applied. A building error will occur.

	Boo lean	Bit strings					Integers							Real num- bers		Times, durations, dates, and text strings				
	BOOL	BYTE	WORD	DWORD	LWORD	USINT	UINT	UDINT	ULINT	SINT	INT	DINT	LINT	REAL	LREAL	TIME	DATE	TOD	DT	STRING
In		OK	OK	OK	OK															
Num						OK														
AryOut[] (array)		OK																		
Out	OK																			

## Function

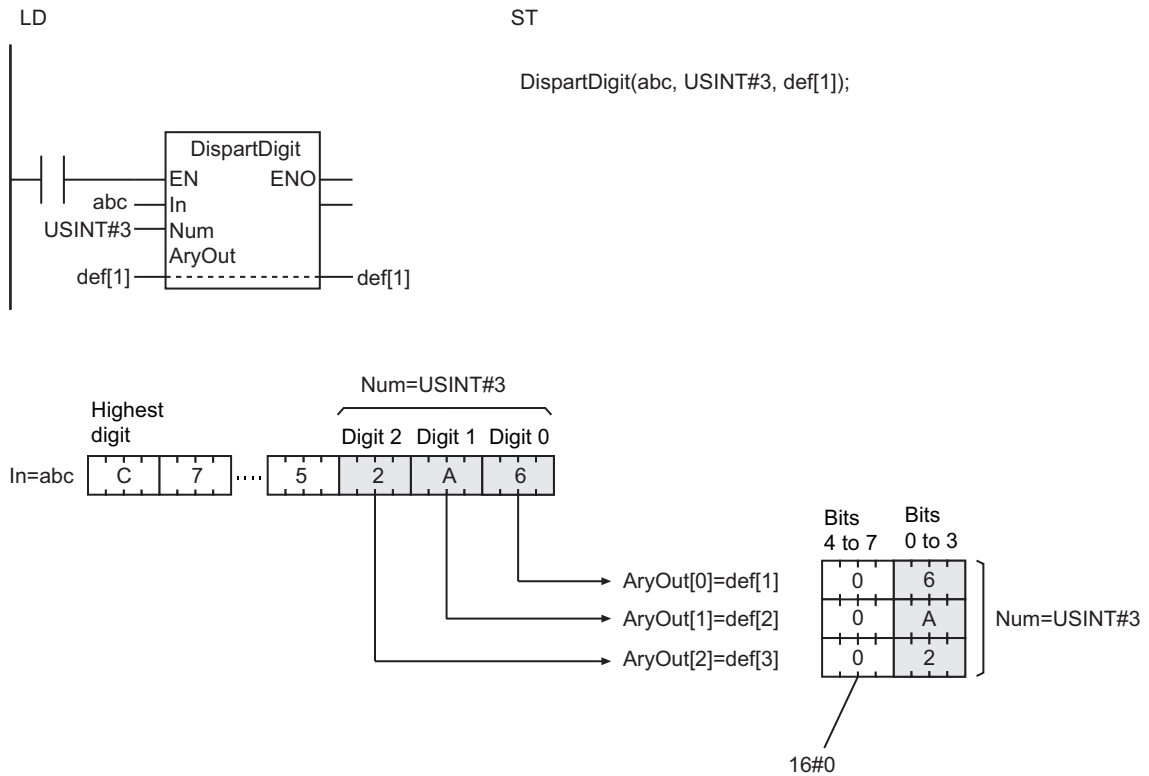
The DispartDigit instruction separates *In* (data to separate) into 4-bit units (digit-based), and stores them in separation results array *AryOut[]*.

First, *In* is separated into 4-bit units. Then, the four lowest bits are stored in *AryOut[0]*. *AryOut[0]* is BYTE data, and 16#0 is assigned to bits 4 to 7.

This process is repeated for the number of digits to separate, *Num*.

The following shows an example where *Num* is USINT#3.





## Additional Information

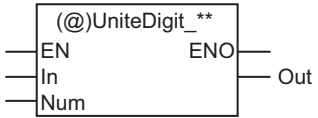
Use the instruction, *UniteDigit\_\*\** on page 2-496, to join four bits of each element together into a single bit string.

## Precautions for Correct Use

- The values in AryOut[] do not change if the value of *Num* is 0.
- Return value *Out* is not used when the instruction is used in ST.
- An error will occur in the following cases. *ENO* will be FALSE, and AryOut[] will not change.
  - a) The value of *Num* is outside the valid range.
  - b) The value of *Num* exceeds the array area of AryOut[].

# UniteDigit\_\*\*

The UniteDigit\_\*\* instructions join 4-bit units of data into a bit string.

Instruction	Name	FB/ FUN	Graphic expression	ST expression
UniteDigit_**	Four-bit Join Group	FUN	 <p>**** must be a bit string data type.</p>	Out:=UniteDigit_**(In, Num); **** must be a bit string data type.

## Variables

	Meaning	I/O	Description	Valid range	Unit	Default
In[] (array)	Array to join	Input	Array to join	Depends on data type.	---	*1
Num	Number of digits to join		Number of digits to join	0 to the number of bits in <i>Out</i>		1
Out	Joined result	Output	Bit string with joined result	Depends on data type.	---	---

\*1. If you omit the input parameter, the default value is not applied. A building error will occur.

	Boo lean	Bit strings				Integers							Real num bers		Times, durations, dates, and text strings					
	BOOL	BYTE	WORD	DWORD	LWORD	USINT	UINT	UDINT	ULINT	SINT	INT	DINT	LINT	REAL	LREAL	TIME	DATE	TOD	DT	STRING
In[] (array)		OK																		
Num						OK														
Out		OK	OK	OK	OK															

## Function

The UniteDigit\_\*\* instructions joins the lower four bits (digit-based) of each element of In[] (array to join) and creates a bit string for *Out* (joined result).

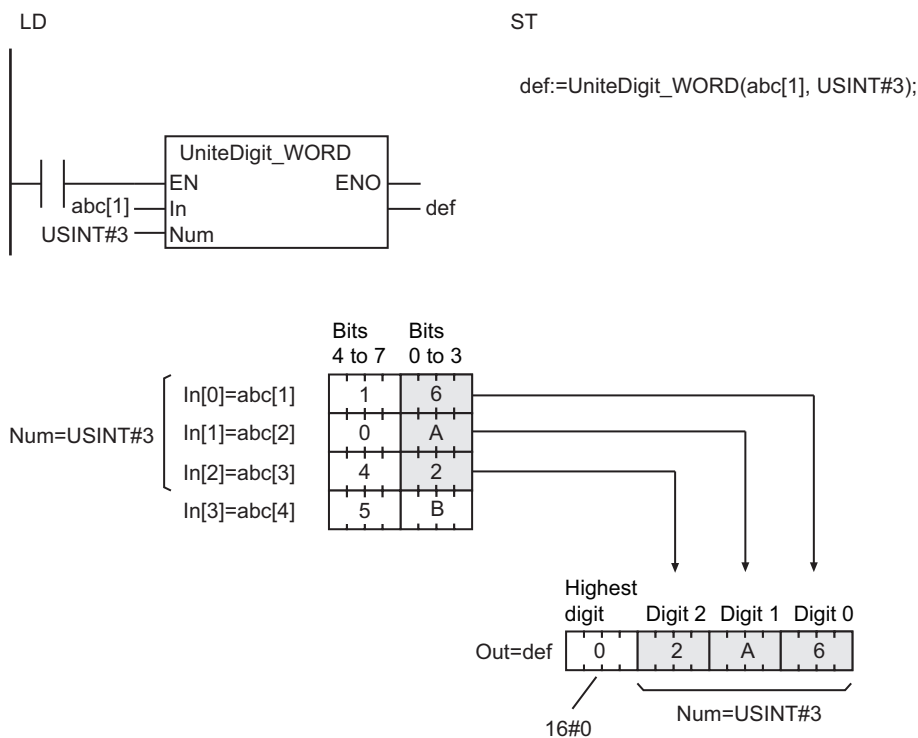
*Num* (number of digits to join) specifies the number of array elements for the joining.

First, the lower four bits of each element of In[], from In[0] to In[Num-1], are joined to create a bit string with *Num* digits.

16#0, which the number of digits in *Out* minus *Num* equals, is joined to the bit string as its upper digit, and the joined string is assigned to *Out*.

The name of the instruction is determined by the data type of *Out*. For example, if *Out* is the WORD data type, the name of the instruction is UniteDigit\_WORD.

The following shows an example where *Num* is USINT#3 for the UniteDigit\_WORD instruction.



## Additional Information

Use the instruction, *DispartDigit* on page 2-494, to separate a bit string into 4-bit units.

## Precautions for Correct Use

- If the value of *Num* is 0, the value of *Out* is 0.
- An error will occur in the following cases. *ENO* will be FALSE, and *Out* will not change.
  - a) The value of *Num* is outside the valid range.
  - b) The value of *Num* exceeds the array area of *In*[].

# Dispart8Bit

The Dispart8Bit instruction separates a bit string into individual bytes.

Instruction	Name	FB/ FUN	Graphic expression	ST expression
Dispart8Bit	Byte Data Separation	FUN		Dispart8Bit(In, Num, AryOut);

## Variables

	Meaning	I/O	Description	Valid range	Unit	Default
In	Data to separate	Input	Bit string to separate	Depends on data type.	---	*1
Num	Number of bytes to separate		Number of bytes to separate	0 to the number of bytes in <i>In</i>		1
AryOut[] (array)	Separation results array	In-out	Separation results array	Depends on data type.	---	---
Out	Return value	Output	Always TRUE	TRUE only	---	---

\*1. If you omit the input parameter, the default value is not applied. A building error will occur.

	Boo lean	Bit strings				Integers								Real num- bers		Times, durations, dates, and text strings				
	BOOL	BYTE	WORD	DWORD	LWORD	USINT	UINT	UDINT	ULINT	SINT	INT	DINT	LINT	REAL	LREAL	TIME	DATE	TOD	DT	STRING
In		OK	OK	OK	OK															
Num						OK														
AryOut[] (array)		OK																		
Out	OK																			

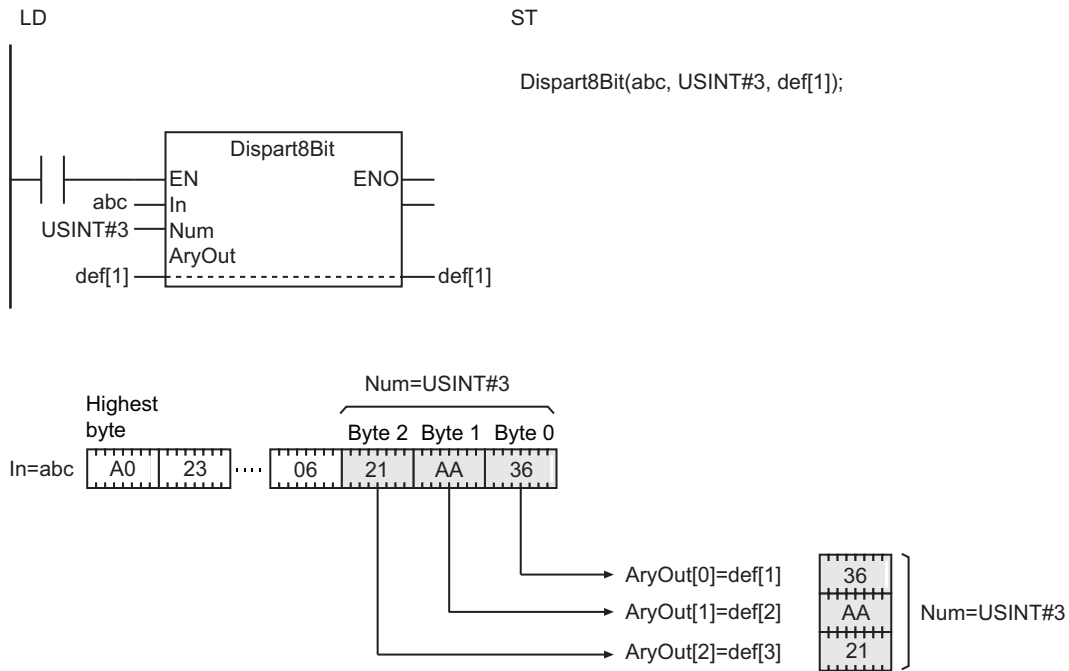
## Function

The Dispart8Bit instruction separates *In* (data to separate) into individual bytes, and stores them in separation results array *AryOut[]*.

First, *In* is separated into bytes. The lowest byte is stored in *AryOut[0]*.

The second lowest byte is stored in *AryOut[1]*. This process is repeated for the number of bytes to separate, *Num*.

The following shows an example where *Num* is USINT#3.



## Additional Information

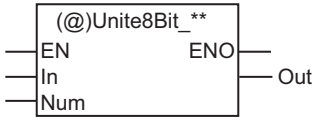
Use the instruction, *Unite8Bit\_\*\** on page 2-500, to join one byte of each element together into a single bit string.

## Precautions for Correct Use

- Return value *Out* is not used when this instruction is used in ST.
- An error will occur in the following cases. *ENO* will be FALSE, and *AryOut*[] will not change.
  - a) The value of *Num* is outside the valid range.
  - b) The value of *Num* exceeds the array area of *AryOut*[].

# Unite8Bit\_\*\*

The Unite8Bit\_\*\* instructions join bytes of data into a bit string.

Instruction	Name	FB/ FUN	Graphic expression	ST expression
Unite8Bit_**	Byte Data Join Group	FUN	 <p>**** must be a bit string data type.</p>	Out:=Unite8Bit_**(In, Num); **** must be a bit string data type.

## Variables

	Meaning	I/O	Description	Valid range	Unit	Default
In[] (array)	Array to join	Input	Array to join	Depends on data type.	---	*1
Num	Number of bytes to join		Number of bytes to join	0 to the number of bytes in <i>Out</i>		1
Out	Joined result	Output	Bit string with joined result	Depends on data type.	---	---

\*1. If you omit the input parameter, the default value is not applied. A building error will occur.

	Boo lean	Bit strings				Integers							Real num- bers		Times, durations, dates, and text strings					
	BOOL	BYTE	WORD	DWORD	LWORD	USINT	UINT	UDINT	ULINT	SINT	INT	DINT	LINT	REAL	LREAL	TIME	DATE	TOD	DT	STRING
In[] (array)		OK																		
Num						OK														
Out		OK	OK	OK	OK															

## Function

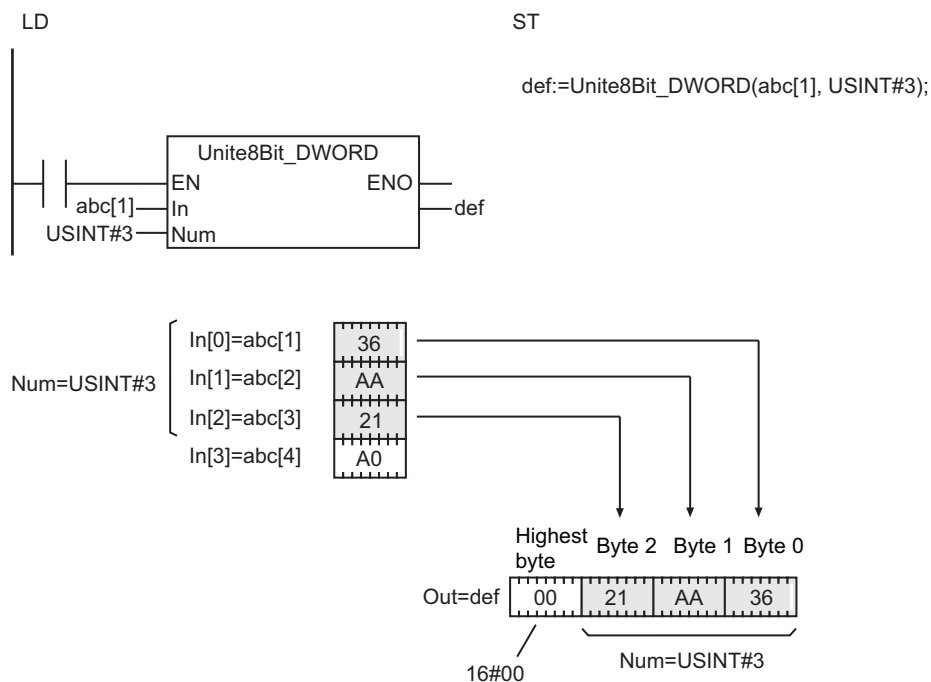
The Unite8Bit\_\*\* instructions join elements of In[] (array to join) to create a bit string in *Out* (joined result).

*Num* (number of bytes to join) specifies the number of array elements to join. First, elements from In[0] to In[Num-1] are joined to create a bit string with *Num* bytes.

16#0, which the number of bytes in *Out* minus *Num* equals, is joined to the bit string as its upper byte, and the joined string is assigned to *Out*.

The name of the instruction is determined by the data type of *Out*. For example, if *Out* is the DWORD data type, the name of the instruction is Unite8Bit\_DWORD.

The following example shows the Unite8Bit\_DWORD instruction when *Num* is USINT#3.



## Additional Information

Use the instruction, *Dispart8Bit* on page 2-498, to separate a bit string into 1-byte units.

## Precautions for Correct Use

- If the value of *Num* is 0, the value of *Out* will be 0.
- An error will occur in the following cases. *ENO* will be FALSE, and *Out* will not change.
  - a) The value of *Num* is outside the valid range.
  - b) The value of *Num* exceeds the array area of *In[]*.

# ToAryByte

The ToAryByte instruction separates a variable into bytes and stores the bytes in a BYTE array.

Instruction	Name	FB/ FUN	Graphic expression	ST expression
ToAryByte	Conversion to Byte Array	FUN	<pre> graph LR     subgraph ToAryByte_Box [(@)ToAryByte]         EN[EN]         In[In]         Order[Order]         AryOut[AryOut]         ENO[ENO]         Out[Out]     end     EN --- ToAryByte_Box     In --- ToAryByte_Box     Order --- ToAryByte_Box     AryOut --- ToAryByte_Box     ToAryByte_Box --- ENO     ToAryByte_Box --- Out           </pre>	Out:=ToAryByte(In, Order, AryOut);

## Variables

	Meaning	I/O	Description	Valid range	Unit	Default
In	Data to convert	Input	Data to convert	Depends on data type.	---	*1
Order	Conversion order		Conversion order	_LOW_HIGH or _HIGH_LOW		_LOW_HIGH
AryOut[] (array)	Conversion results array	In-out	Conversion results array	Depends on data type.	---	---
Out	Number of elements in result	Output	Number of elements in result	Depends on data type.	---	---

\*1. If you omit the input parameter, the default value is not applied. A building error will occur.

	Boo lean	Bit strings					Integers							Real num- bers		Times, durations, dates, and text strings				
	BOOL	BYTE	WORD	DWORD	LWORD	USINT	UINT	UDINT	ULINT	SINT	INT	DINT	LINT	REAL	LREAL	TIME	DATE	TOD	DT	STRING
In	OK	OK	OK	OK	OK	OK	OK	OK	OK	OK	OK	OK	OK	OK	OK	OK	OK	OK	OK	OK
	An enumeration, array, array element, structure, or structure member can also be specified.																			
Order	Refer to <i>Function</i> on page 2-502 for the enumerators of the enumerated type <code>_eBYTE_ORDER</code> .																			
AryOut[] (array)		OK																		
Out							OK													

## Function

The ToAryByte instruction separates the value of *In* into individual bytes and stores them in order in AryOut[] (conversion results array) starting from AryOut[0].

Number of elements in result *Out* contains the number of elements stored in AryOut[].

Conversion order *Order* specifies the order in which to convert the value of *In* to bytes. The data type of *Order* is enumerated type `_eBYTE_ORDER`. The meanings of the enumerators are as follows:

Enumerator	Meaning
_LOW_HIGH	Lower byte first, higher byte last



Enumerator	Meaning
_HIGH_LOW	Higher byte first, lower byte last

## When the Data Type of *In* Is Two Bytes or Larger

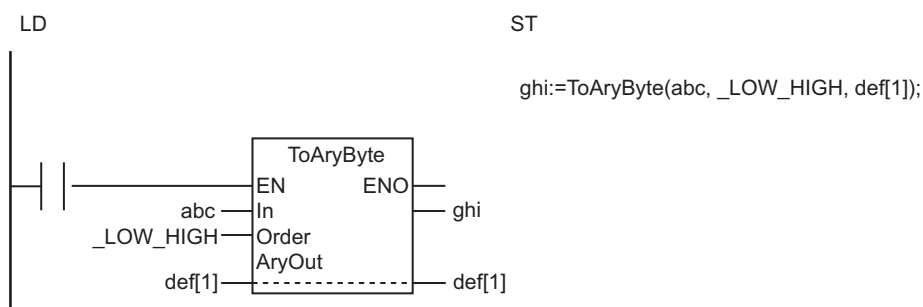
If the data type of *In* is two bytes or larger, *In* is separated into bytes and stored in *AryOut*[]. The following data types have two bytes or more.

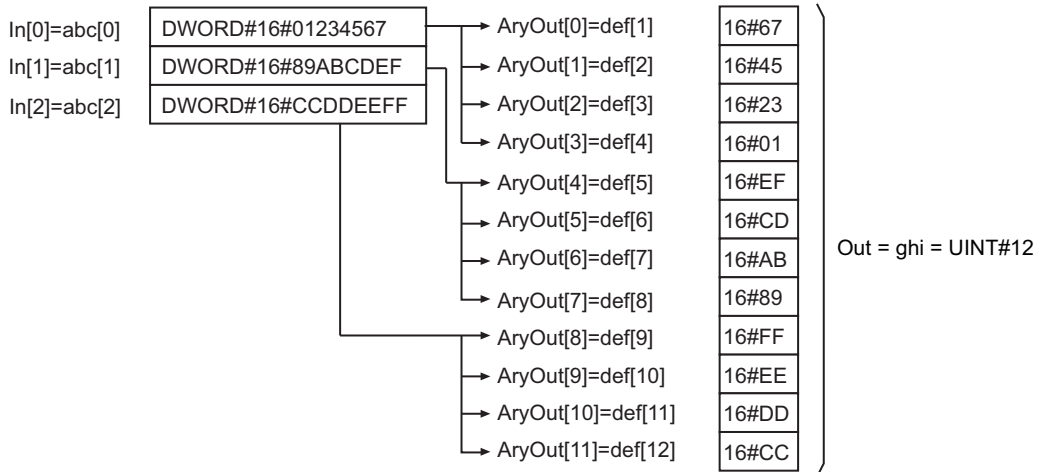
Classification	Data type
Bit strings	WORD, DWORD, and LWORD
Integers	UINT, UDINT, ULINT, INT, DINT, and LINT
Real numbers	REAL and LREAL
Times, durations, dates, and text strings	TIME, DATE, TOD, DT, and STRING types of two bytes or more
Others	<ul style="list-style-type: none"> <li>An enumeration</li> <li>An array for which the total for all elements is 2 bytes or more</li> <li>An array element that is 2 bytes or more</li> <li>A structure for which the total for all members is 2 bytes or more</li> <li>A structure member that is 2 bytes or more</li> </ul>

The processing procedure is as follows:

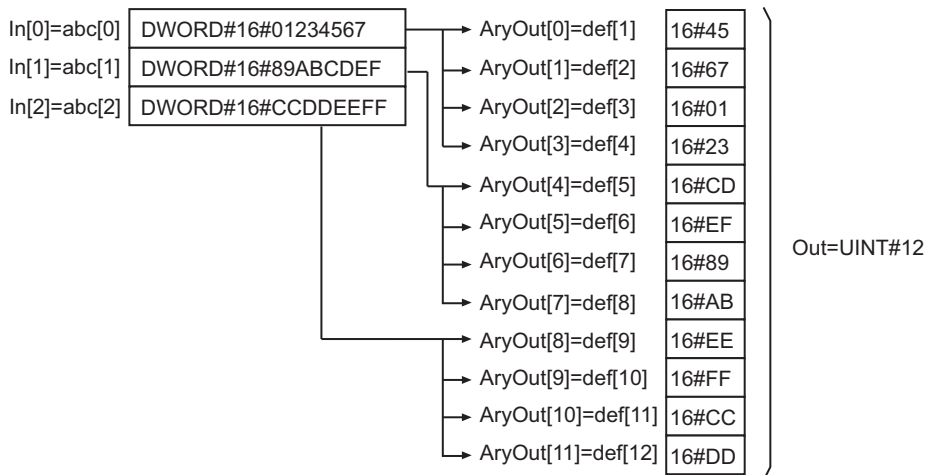
- 1 First, the value in *In* is separated into words (two bytes).
- 2 The lowest word is separated into bytes.
- 3 If *Order* is `_LOW_HIGH`, the lower byte is stored in *AryOut*[0] and the upper byte is stored in *AryOut*[1]. If *Order* is `_HIGH_LOW`, the upper byte is stored in *AryOut*[0] and the lower byte is stored in *AryOut*[1].
- 4 The next word is separated into bytes and stored in *AryOut*[2] and *AryOut*[3] in the same way.
- 5 This process is repeated to the end of the value of *In*. If *In* is an array, the same process is repeated to the last element of *In*.

The following shows an example where *In* is a DWORD array with three elements and *Order* is `_LOW_HIGH`.





The following shows an example where *In* is the same as above and *Order* is `_HIGH_LOW`.



## When the Data Type of *In* Is One Byte

If the data type of *In* is one byte, *In* is stored in `AryOut[]` as one byte.

The following data types have one byte.

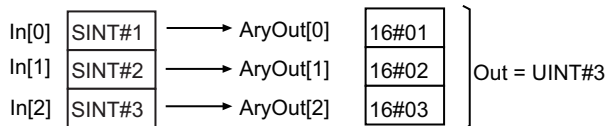
Classification	Data type
Bit strings	BYTE
Integers	USINT and SINT
Real numbers	None
Times, durations, dates, and text strings	STRING types with one byte
Others	<ul style="list-style-type: none"> <li>An array for which the total for all elements is 1 byte</li> <li>An array element that is 1 byte</li> <li>A structure for which the total for all members is 1 byte</li> <li>A structure member that is 1 byte</li> </ul>

The following storage method is used.

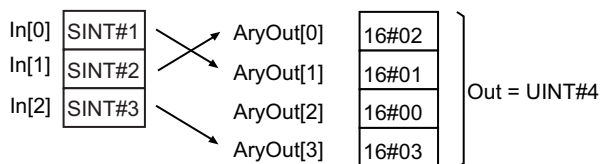
Value of <i>Order</i>	<i>In</i> (array or not)	Storage method in <code>AryOut[]</code>
<code>_LOW_HIGH</code>	Not an array	Value of <i>In</i> is stored in <code>AryOut[0]</code> .
	Array	Value of <code>In[i]</code> is stored in <code>AryOut[i]</code> .

Value of Order	In (array or not)	Storage method in AryOut[]
_HIGH_LOW	Not an array	Value of <i>In</i> is stored in AryOut[1]. 16#00 is stored in AryOut[0].
	Array	In[ <i>i</i> ] (where <i>i</i> is even) is stored in AryOut[ <i>i</i> +1]. In[ <i>i</i> ] (where <i>i</i> is odd) is stored in AryOut[ <i>i</i> -1]. If the number of elements in In[] is odd, 16#00 is stored last in AryOut[ <i>n</i> -1].

The following shows an example where *In* is a SINT array with three elements and *Order* is \_LOW\_HIGH.



The following shows an example where *In* is the same as above and *Order* is \_HIGH\_LOW.

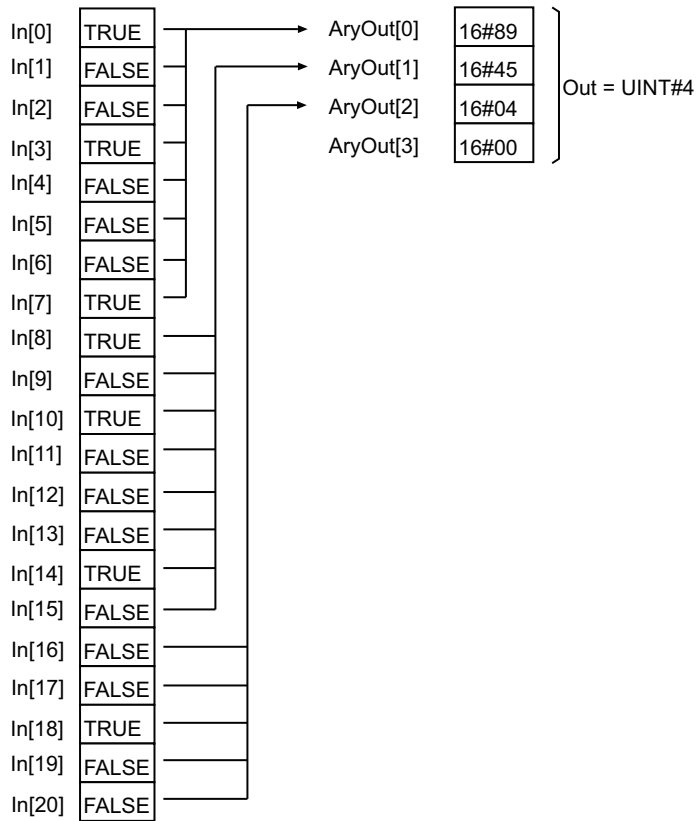


## When *In* Is BOOL Data

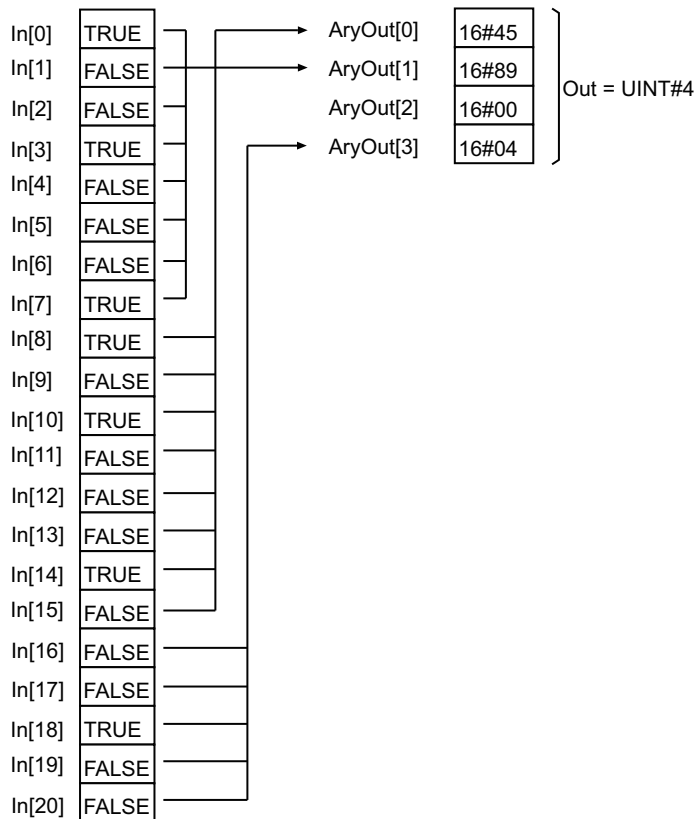
If the data type of *In* is BOOL (one bit), data is stored in AryOut[] as described below.

Value of Order	In (array or not)	Storage method in AryOut[]
_LOW_HIGH	Not an array	The logical OR of the value of <i>In</i> and 16#00 is stored in AryOut[0].
	Array	Values of In[0] to In[7] are joined and stored in AryOut[0]. Values of In[8] to In[15] are joined and stored in AryOut[1]. The same process is repeated to store the rest of the data. If there is not sufficient data in In[] for 8 values, FALSE is added to the most-significant bit. The value of <i>Out</i> is always even. If there are not sufficient bit values, the remaining values will be all FALSE.
_HIGH_LOW	Not an array	The logical OR of the value of <i>In</i> and 16#00 is stored in AryOut[1]. 16#00 is stored in AryOut[0].
	Array	Values of In[0] to In[7] are joined and stored in AryOut[1]. Values of In[8] to In[15] are joined and stored in AryOut[0]. The same process is repeated to store the rest of the data. The value of <i>Out</i> is always even. If there are not sufficient bit values, the remaining values will be all FALSE.

The following example is for when *In* is a BOOL array with 21 elements and *Order* is \_LOW\_HIGH.



The following example is for when *In* is the same as above and *Order* is `_HIGH_LOW`.



## Precautions for Correct Use

- Always use a variable for the input parameter to pass to *In*. A building error will occur if a constant is passed.
- If *In* is an enumeration, you cannot directly pass an enumerator. A building error will occur if any enumerator is passed directly.
- If *In* is STRING data, the text string is not converted to numbers. The contents of the variable is taken as a bit string and converted to a byte array.
- If *In* is a structure, adjustment areas between members may be inserted into *AryOut*[].
- If the value of *Order* is *\_HIGH\_LOW* and the total number of bytes in *In* is an odd number, 16#00 is added to the end of *In* to make an even number of bytes before the conversion is started.
- An error will occur in the following cases. *ENO* will be FALSE, and *Out* and *AryOut*[] will not change.
  - a) The value of *Order* is outside the valid range.
  - b) The conversion result exceeds the array area of *AryOut*[].

# AryByteTo

The AryByteTo instruction joins BYTE array elements and stores the result in a variable.

Instruction	Name	FB/ FUN	Graphic expression	ST expression
AryByteTo	Conversion from Byte Array	FUN		AryByteTo(In, Size, Order, OutVal);

## Variables

	Meaning	I/O	Description	Valid range	Unit	Default
In[] (array)	Array to convert	Input	Array to convert	Depends on data type.	---	*1
Size	Number of elements to convert		Number of elements in In[] to convert			1
Order	Conversion order		Conversion order			_LOW_HIGH or _HIGH_LOW
OutVal	Conversion result	In-out	Conversion result	Depends on data type.	---	---
Out	Return value	Output	Always TRUE	TRUE only	---	---

\*1. If you omit the input parameter, the default value is not applied. A building error will occur.

	Boo lean	Bit strings					Integers							Real num- bers		Times, durations, dates, and text strings				
	BOOL	BYTE	WORD	DWORD	LWORD	USINT	UINT	UDINT	ULINT	SINT	INT	DINT	LINT	REAL	LREAL	TIME	DATE	TOD	DT	STRING
In[] (array)		OK																		
Size							OK													
Order	Refer to <i>Function</i> on page 2-508 for the enumerators of the enumerated type <code>_eBYTE_ORDER</code> .																			
OutVal	OK	OK	OK	OK	OK	OK	OK	OK	OK	OK	OK	OK	OK	OK	OK	OK	OK	OK	OK	OK
	An enumeration, array, array element, structure, or structure member can also be specified.																			
Out	OK																			

## Function

The AryByteTo instruction takes the first *Size* elements in In[] (array to convert) and joins them to match the size of the data type of *OutVal* (conversion result). It then stores the result in *OutVal*.

*Order* specifies the order to join the elements of In[]. The data type of *Order* is enumerated type `_eBYTE_ORDER`. The meanings of the enumerators are as follows:

Enumerators	Meaning
_LOW_HIGH	Lower byte first, higher byte last

Enumerators	Meaning
_HIGH_LOW	Higher byte first, lower byte last

## When the Data Type of *OutVal* Is Two Bytes or Larger

If the data type of *OutVal* is two bytes or larger, elements of *In[]* are joined to be equivalent to the data size of *OutVal*, and the joined data is stored in *OutVal*.

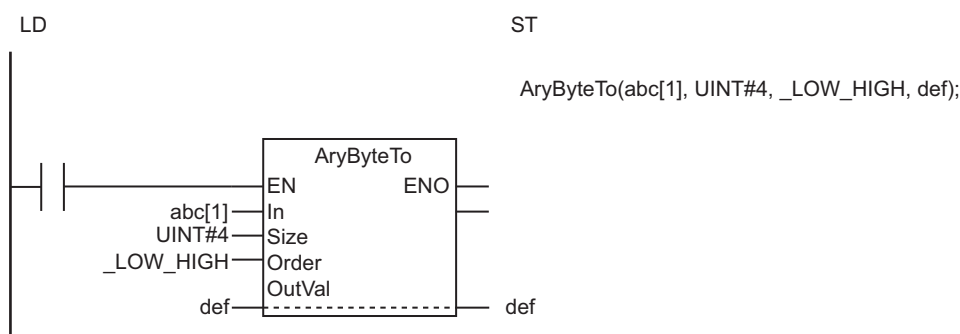
The following data types have two bytes or more.

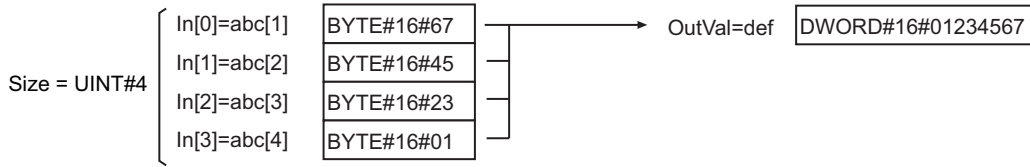
Classification	Data type
Bit strings	WORD, DWORD, and LWORD
Integers	UINT, UDINT, ULINT, INT, DINT, and LINT
Real numbers	REAL and LREAL
Times, durations, dates, and text strings	TIME, DATE, TOD, DT, and STRING types of two bytes or more
Others	<ul style="list-style-type: none"> <li>An enumeration</li> <li>An array for which the total for all elements is 2 bytes or more</li> <li>An array element that is 2 bytes or more</li> <li>A structure for which the total for all members is 2 bytes or more</li> <li>A structure member that is 2 bytes or more</li> </ul>

The processing procedure is as follows:

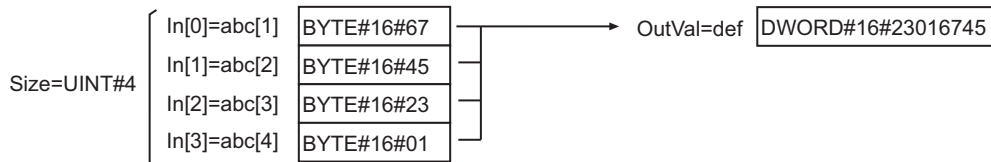
- 1** *In[0]* and *In[1]* are joined according to the value of *Order* to create one word (two bytes) of data. If *Order* is *\_LOW\_HIGH*, the upper byte is stored in *In[1]* and the lower byte is stored in *In[0]*. If *Order* is *\_HIGH\_LOW*, the upper byte is stored in *In[0]* and the lower byte is stored in *In[1]*.
- 2** In the same way elements that start from *In[2]* and *In[3]* are joined to make more words of data.
- 3** The words of data are joined to match the size of *OutVal*. For example, if *OutVal* is *DWORD* data, four words of data are joined.
- 4** The joined data is stored in *OutVal*.

The following shows an example where *OutVal* is *DWORD* data, *Size* is *UINT#4*, and *Order* is *\_LOW\_HIGH*.





The following shows an example where *OutVal* is the same as above, *Size* is *UINT#4*, and *Order* is *\_HIGH\_LOW*.



## When the Data Type of *OutVal* Is One Byte

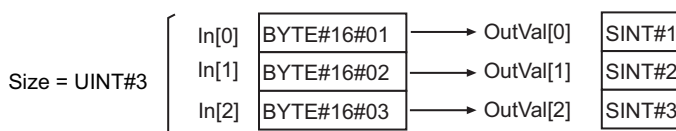
If the data type of *OutVal* is one byte, one byte of *In[]* is stored directly in *OutVal*. The following data types have one byte.

Classification	Data type
Bit strings	BYTE
Integers	USINT and SINT
Real numbers	None
Times, durations, dates, and text strings	STRING types with one byte
Others	<ul style="list-style-type: none"> <li>An array for which the total for all elements is 1 byte</li> <li>An array element that is 1 byte</li> <li>A structure for which the total for all members is 1 byte</li> <li>A structure member that is 1 byte</li> </ul>

The following storage method is used.

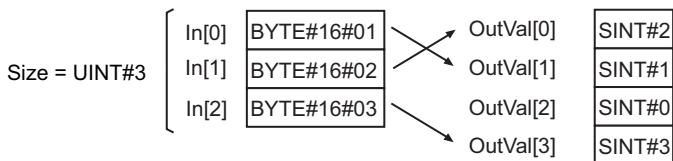
Value of <i>Order</i>	<i>OutVal</i> (array or not)	Storage method in <i>OutVal</i>
_LOW_HIGH	Not an array	Value of <i>In[0]</i> is stored in <i>OutVal</i>
	Array	Value of <i>In[i]</i> is stored in <i>OutVal[i]</i>
_HIGH_LOW	Not an array	Value of <i>In[1]</i> is stored in <i>OutVal</i>
	Array	<i>In[i]</i> (where <i>i</i> is even) is stored in <i>OutVal[i+1]</i> . <i>In[i]</i> (where <i>i</i> is odd) is stored in <i>OutVal[i-1]</i> . If the value of <i>Size</i> is odd, data is stored up to <i>OutVal[Size]</i> and 16#00 is stored in <i>OutVal[Size-1]</i> .

The following shows an example where *OutVal* is a SINT array with three elements, *Size* is *UINT#3*, and *Order* is *\_LOW\_HIGH*.





The following shows an example where *OutVal* and *Size* are the same as above and *Order* is *\_HIGH\_LOW*.

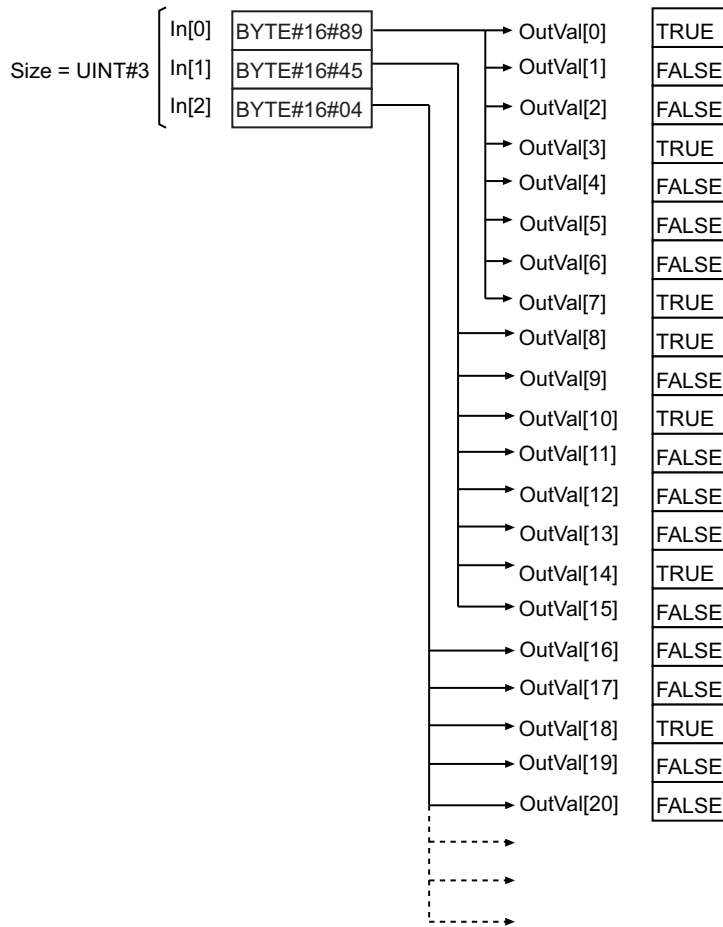


### When *OutVal* Is BOOL Data

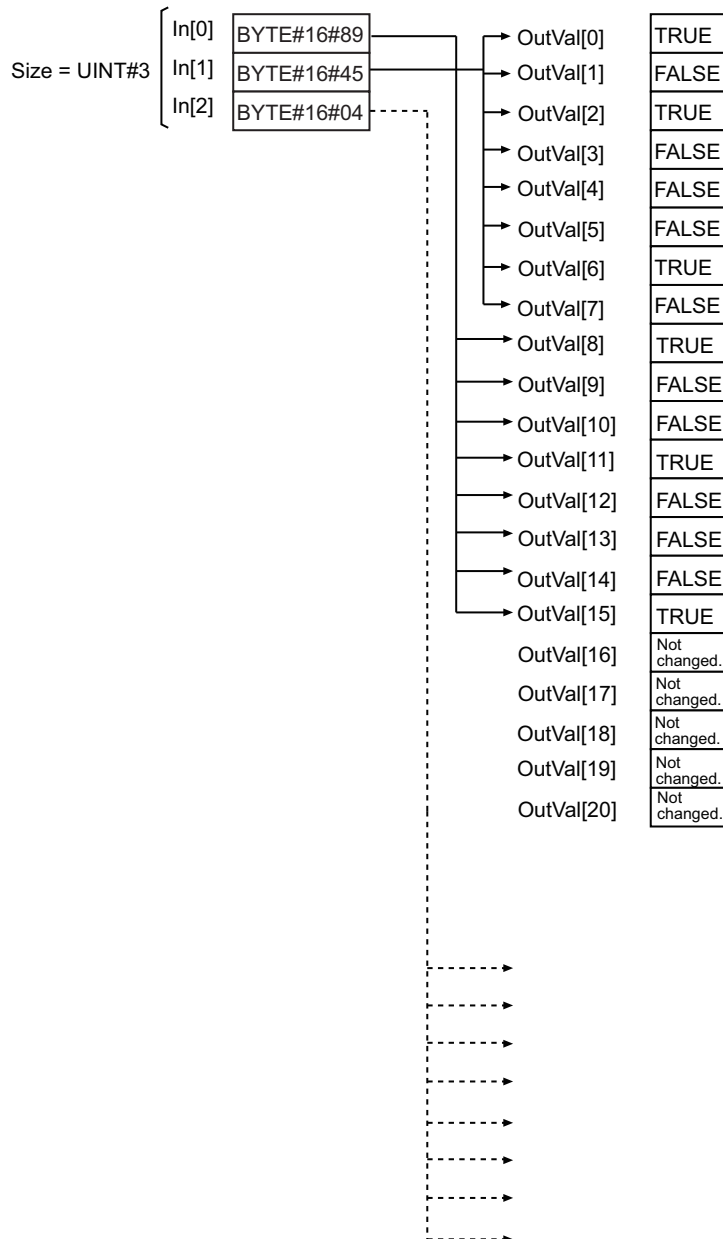
If the data type of *OutVal* is BOOL (one bit), data is stored in *OutVal* as described below.

Value of Order	OutVal (array or not)	Storage method in OutVal
_LOW_HIGH	Not an array	Value of bit 0 of In[0] is stored in <i>OutVal</i> .
	Array	Value of In[0] is separated and stored in OutVal[0] to OutVal[7]. Value of In[1] is separated and stored in OutVal[8] to OutVal[15]. The same process is repeated to store the rest of the data. Remaining bits are discarded.
_HIGH_LOW	Not an array	Value of bit 0 of In[1] is stored in <i>OutVal</i> .
	Array	Value of In[0] is separated and stored in OutVal[8] to OutVal[15]. Value of In[1] is separated and stored in OutVal[0] to OutVal[7]. The same process is repeated to store the rest of the data. Remaining bits are discarded.

The following example is for when *OutVal[]* is a BOOL array with 21 elements, *Size* is *UINT#3*, and *Order* is *\_LOW\_HIGH*.



The following example is for when OutVal[] and Size are the same as above and Order is \_HIGH\_LOW.



## Precautions for Correct Use

- If *OutVal* is a structure, some of the values of *In[]* may be inserted in adjustment areas between members depending on the composition.
- If *Size* is less than the data size of *OutVal*, an error does not occur, and the specified byte data is stored in *OutVal*. If the byte data is insufficient, the values before the instruction was executed will be held.  
If the size is smaller than the previous execution, use the instruction after the variables are cleared with the Clear (Initialize) instruction in advance.
- If the value of *Size* is 0, the value of *Out* will change to TRUE and *OutVal* will not change.
- Return value *Out* is not used when the instruction is used in ST.
- An error will occur in the following cases. *ENO* will be FALSE, and *OutVal* will not change.
  - a) The value of *Order* is outside the valid range.
  - b) The value of *Size* exceeds the number of elements in *In[]*.

# SizeOfAry

The SizeOfAry instruction gets the number of elements in an array.

Instruction	Name	FB/ FUN	Graphic expression	ST expression
SizeOfAry	Get Number of Array Elements	FUN		Out:=SizeOfAry(In);

## Variables

	Meaning	I/O	Description	Valid range	Unit	Default
In[] (array)	Array	Input	Array	Depends on data type.	---	*1
Out	Number of elements	Output	Number of elements	Depends on data type.	---	---

\*1. If you omit the input parameter, the default value is not applied. A building error will occur.

	Boo lean	Bit strings					Integers							Real num- bers		Times, durations, dates, and text strings				
	BOOL	BYTE	WORD	DWORD	LWORD	USINT	UINT	UDINT	ULINT	SINT	INT	DINT	LINT	REAL	LREAL	TIME	DATE	TOD	DT	STRING
In[] (array)	OK	OK	OK	OK	OK	OK	OK	OK	OK	OK	OK	OK	OK	OK	OK	OK	OK	OK	OK	OK
	Arrays of enumerations or structures can also be specified.																			
Out							OK													

## Function

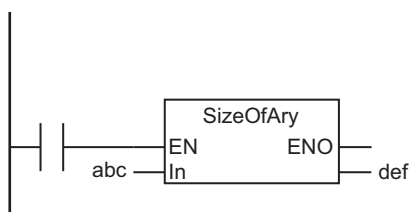
The SizeOfAry instruction gets the number of elements in array In[].

For the input parameter, use an array name, such as *array*, instead of an array element name, such as *array[0]*.

The following figure shows a programming example.

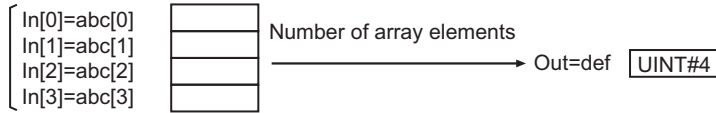
Name	Data Type
abc	ARRAY[0..3] OF INT

LD



ST

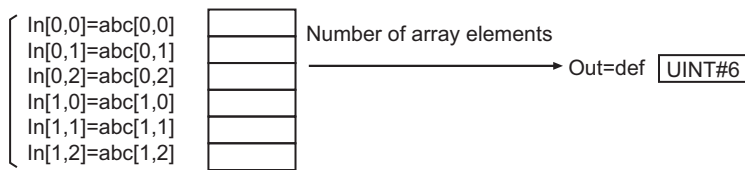
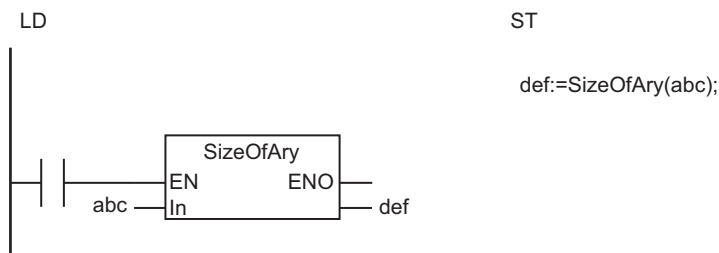
```
def:=SizeOfAry(abc);
```



### Additional Information

In[] can be an array with two or more dimensions. In that case, *Out* will contain all the elements of In[]. For example, if the input parameter that is passed to In[] is ARRAY[0..1,0..2], the value of *Out* will be UINT#6.

Name	Data Type
abc	ARRAY[0..1,0..2] OF BOOL



# PackWord

The PackWord instruction joins two 1-byte data into a 2-byte data.

Instruction	Name	FB/ FUN	Graphic expression	ST expression
PackWord	2-byte Join	FUN		Out:=PackWord(High, Low);



## Version Information

A CPU Unit with unit version 1.12 or later and Sysmac Studio version 1.16 or higher are required to use this instruction.

## Variables

	Meaning	I/O	Description	Valid range	Unit	Default
High	Byte data H	Input	Data in bytes stored in bit 15-8	Depends on data type.	---	0
Low	Byte data L		Data in bytes stored in bit 7-0	Depends on data type.	---	0
Out	Joined data	Output	2-byte data	Depends on data type.	---	---

	Boo lean	Bit strings				Integers								Real num- bers		Times, durations, dates, and text strings				
	BOOL	BYTE	WORD	DWORD	LWORD	USINT	UINT	UDINT	ULINT	SINT	INT	DINT	LINT	REAL	LREAL	TIME	DATE	TOD	DT	STRING
High		OK																		
Low		OK																		
Out			OK																	

## Function

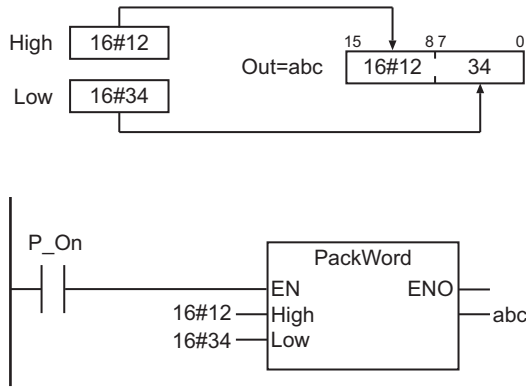
The PackWord instruction joins two 1-byte data into a 2-byte data.

The data specified in *High* is stored in bits 15 to 8, and the data specified in *Low* is stored in bits 7 to 0.

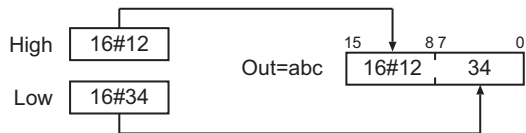
## LD

The following example shows the instruction when *High* is 16#12 and *Low* is 16#34.

The value of variable *abc* will be 16#1234.

**ST**

The following example shows the instruction when *High* is 16#12 and *Low* is 16#34. The value of variable *abc* will be 16#1234.



```
abc:=PackWord(16#12, 16#34);
```

# PackDword

The PackDword instruction joins four 1-byte data into a 4-byte data.

Instruction	Name	FB/ FUN	Graphic expression	ST expression
PackDword	4-byte Join	FUN		Out:=PackDword(HighHigh, HighLow, LowHigh, LowLow);



## Version Information

A CPU Unit with unit version 1.12 or later and Sysmac Studio version 1.16 or higher are required to use this instruction.

## Variables

	Meaning	I/O	Description	Valid range	Unit	Default
HighHigh	Byte data HH	Input	Data in bytes stored in bit 31-24	Depends on data type.	---	0
HighLow	Byte data HL		Data in bytes stored in bit 23-16	Depends on data type.	---	0
LowHigh	Byte data LH		Data in bytes stored in bit 15-8	Depends on data type.	---	0
LowLow	Byte data LL		Data in bytes stored in bit 7-0	Depends on data type.	---	0
Out	Joined data	Output	4-byte data	Depends on data type.	---	---

	Boo lean	Bit strings				Integers								Real num bers		Times, durations, dates, and text strings				
	BOOL	BYTE	WORD	DWORD	LWORD	USINT	UINT	UDINT	ULINT	SINT	INT	DINT	LINT	REAL	LREAL	TIME	DATE	TOD	DT	STRING
HighHigh		OK																		
HighLow		OK																		
LowHigh		OK																		
LowLow		OK																		
Out				OK																

## Function

The PackDword instruction joins four 1-byte data into a 4-byte data.

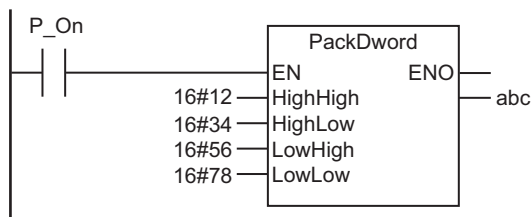
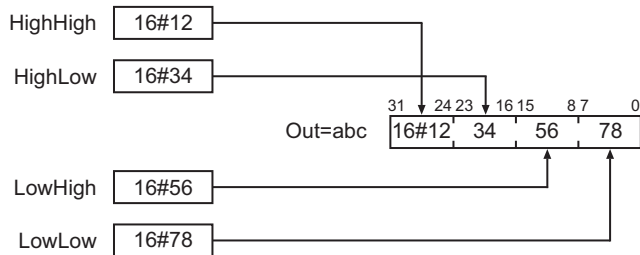


The data specified with *HighHigh* is stored in bits 31 to 24, the data specified with *HighLow* in bits 23 to 16, the data specified with *LowHigh* in bits 15 to 8, and the data specified with *LowLow* in bits 7 to 0.

## LD

The following example shows the instruction when *HighHigh* is 16#12, *HighLow* is 16#34, *LowHigh* is 16#56, and *LowLow* is 16#78.

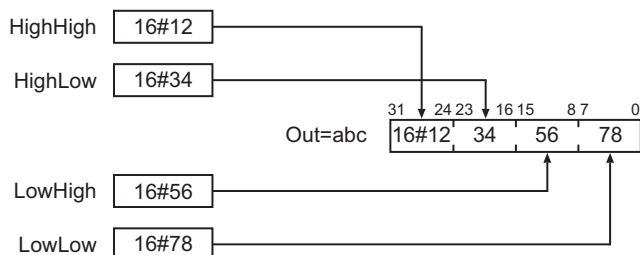
The value of variable *abc* will be 16#12345678.



## ST

The following example shows the instruction when *HighHigh* is 16#12, *HighLow* is 16#34, *LowHigh* is 16#56, and *LowLow* is 16#78.

The value of variable *abc* will be 16#12345678.



```
abc:=PackDword(16#12, 16#34, 16#56, 16#78);
```

# LOWER\_BOUND and UPPER\_BOUND

LOWER\_BOUND : Gets the first number of a specified array dimension.

UPPER\_BOUND : Gets the last number of a specified array dimension.

Instruction	Name	FB/ FUN	Graphic expression	ST expression
LOW- ER_BOUND	Get First Num- ber of Array	FUN		Out:=LOWER_BOUND(ARR, DIM);
UP- PER_BOUND	Get Last Num- ber of Array	FUN		Out:=UPPER_BOUND(ARR, DIM);



## Version Information

A CPU Unit with unit version 1.18 or later and Sysmac Studio version 1.22 or higher are required to use these instructions.

## Variables

	Meaning	I/O	Description	Valid range	Unit	Default
ARR	Array to process	Input	Specify the array from which to get the first number or last number of an array dimension. *1	---	---	---
DIM	Dimension		Specifies the dimension. *2	---	---	1
Out	Return value	Output	LOWER_BOUND: First number UPPER_BOUND: Last number	Depends on data type.	---	---

\*1. Use an array name, such as *array*, instead of an array element name, such as *array[0]*.

\*2. For the first dimension of the array, specify 1.

	Boo lean	Bit strings				Integers							Real number		Times, durations, dates, and text strings					
	BOOL	BYTE	WORD	DWORD	LWORD	USINT	UINT	UDINT	ULINT	SINT	INT	DINT	LINT	REAL	LREAL	TIME	DATE	TOD	DT	STRING
ARR	OK	OK	OK	OK	OK	OK	OK	OK	OK	OK	OK	OK	OK	OK	OK	OK	OK	OK	OK	OK

Arrays of enumerations or structures can also be specified.

	Boo lean	Bit strings					Integers							Real number		Times, durations, dates, and text strings				
	BOOL	BYTE	WORD	DWORD	LWORD	USINT	UINT	UDINT	ULINT	SINT	INT	DINT	LINT	REAL	LREAL	TIME	DATE	TOD	DT	STRING
DIM																				
Out												OK								

## Function

The LOWER\_BOUND instruction gets the first number of the dimension specified in *DIM* of the array variable specified in *ARR*.

Similarly, the UPPER\_BOUND instruction gets the last number of the dimension specified in *DIM* of the array variable specified in *ARR*.

## Related System-defined Variables

Name	Meaning	Data Type	Description
P_PRGER	Instruction Error Flag	BOOL	TRUE: Error occurred. It remains TRUE until set to FALSE. FALSE: Set to FALSE by the user program.

## Precautions for Correct Use

An error occurs in the following cases. *ENO* will change to FALSE, and *Out* will not change.

- *ARR* is not an array.
- The value specified in *DIM* is 0 or less, or exceeds the number of dimensions that *ARR* has.

## Sample Programming

### Calculating the Sum of an Array

This sample programming shows how to define a one-dimensional variable-length array variable, and how to get the first number and last number of the dimension in the variable-length array variable.

#### ● User-defined Function Program (Sum)

Internal variable	Name	Data Type	Default	Comment
	i	DINT		

Input/output variables	Name	I/O	Data Type	Comment
	EN	Input	BOOL	
	ENO	Output	BOOL	
	a	In-out	ARRAY[*] OF INT	

Return value	Name	Data Type	Default	Comment
	Sum	INT		

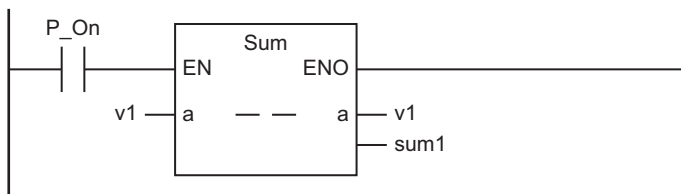
```

Sum := 0;
FOR i := LOWER_BOUND(a,1) TO UPPER_BOUND(a,1) DO
    Sum := Sum + a[i];
END_FOR;
    
```

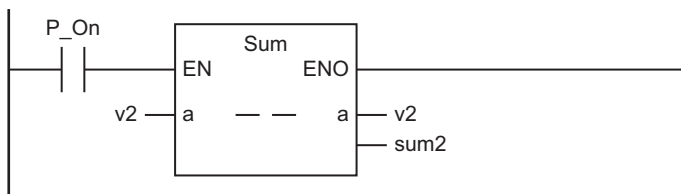
● Calling Program

Internal variables	Name	Data Type	Default	Comment
	v1	ARRAY[0..4] OF INT	[1,2,3,4,5]	
	v2	ARRAY[0..9] OF INT	[1,2,3,4,5,6,7,8,9,10]	
	sum1	INT		
	sum2	INT		

Sum1 = 1+2+3+4+5 =15



Sum2 = 1+2+3+4+5+6+7+8+9+10 =55



**Adding 2x2 Matrices**

This sample programming shows how to define a multi-dimensional variable-length array variable, and how to use the LOWER\_BOUND and UPPER\_BOUND instructions for the multi-dimensional variable-length array variable.

● User-defined Function Program (Matrix\_Add)

Internal variables	Name	Data type	Default	Comment
	i	DINT		
	j	DINT		
	m1	DINT		
	m2	DINT		
	n1	DINT		
	n2	DINT		

Input/ output variables	Name	I/O	Data type	Comment
	EN	Input	BOOL	
	ENO	Output	BOOL	
	A	In-out	ARRAY[*,*] OF DINT	
	B	In-out	ARRAY[*,*] OF DINT	
	C	In-out	ARRAY[*,*] OF DINT	

Return value	Name	Data type	Default	Comment
	Matrix_Add	BOOL		

```

m1 := LOWER_BOUND(C,1);
m2 := UPPER_BOUND(C,1);
n1 := LOWER_BOUND(C,2);
n2 := UPPER_BOUND(C,2);

FOR i := m1 TO m2 DO
  FOR j := n1 TO n2 DO
    C[i,j] := A[i,j] + B[i,j];
  END_FOR;
END_FOR;

```

## ● Calling Program

Internal variables	Name	Data type	Default	Comment
	X	ARRAY[0..1,0..1] OF DINT	[0, 1, 2, 3]	
	Y	ARRAY[0..1,0..1] OF DINT	[1, 2, 3, 4]	
	Z	ARRAY[0..1,0..1] OF DINT		

```

// Z = X + Y = |0 1| + |1 2| = |1 3|
//             |2 3|   |3 4|   |5 7|
Matrix_Add(X, Y, Z);

```



## Stack and Table Instructions

Instruction	Name	Page
StackPush	Push onto Stack	page 2-526
StackFIFO and StackLIFO	First In First Out/Last In First Out	page 2-535
StackIns	Insert into Stack	page 2-538
StackDel	Delete from Stack	page 2-541
RecSearch	Record Search	page 2-543
RecRangeSearch	Range Record Search	page 2-548
RecSort	Record Sort	page 2-553
RecNum	Get Number of Records	page 2-559
RecMax and RecMin	Maximum Record Search/Minimum Record Search	page 2-562

# StackPush

The StackPush instruction stores a value in the top of a stack.

Instruction	Name	FB/ FUN	Graphic expression	ST expression
StackPush	Push onto Stack	FUN		StackPush(In, InOut, Size, Num);

## Variables

	Meaning	I/O	Description	Valid range	Unit	Default
In	Input value	Input	Value, structure, or structure member to place in the stack	Depends on data type.	---	---
Size	Number of stack elements		Number of stack array elements			1
InOut[] (array)	Stack array	In-out	Array that functions as stack	Depends on data type.	---	---
Num	Number of stored elements		Number of elements stored in stack			
Out	Return value	Output	Always TRUE	TRUE only	---	---

	Boo lean	Bit strings					Integers							Real numbers		Times, durations, dates, and text strings				
	BOOL	BYTE	WORD	DWORD	LWORD	USINT	UINT	UDINT	ULINT	SINT	INT	DINT	LINT	REAL	LREAL	TIME	DATE	TOD	DT	STRING
In	OK	OK	OK	OK	OK	OK	OK	OK	OK	OK	OK	OK	OK	OK	OK	OK	OK	OK	OK	OK
	An enumeration, structure, or structure member can also be specified.																			
Size						OK														
InOut[] (array)	Must be an array with elements that have the same data type as <i>In</i> .																			
Num						OK														
Out	OK																			

## Function

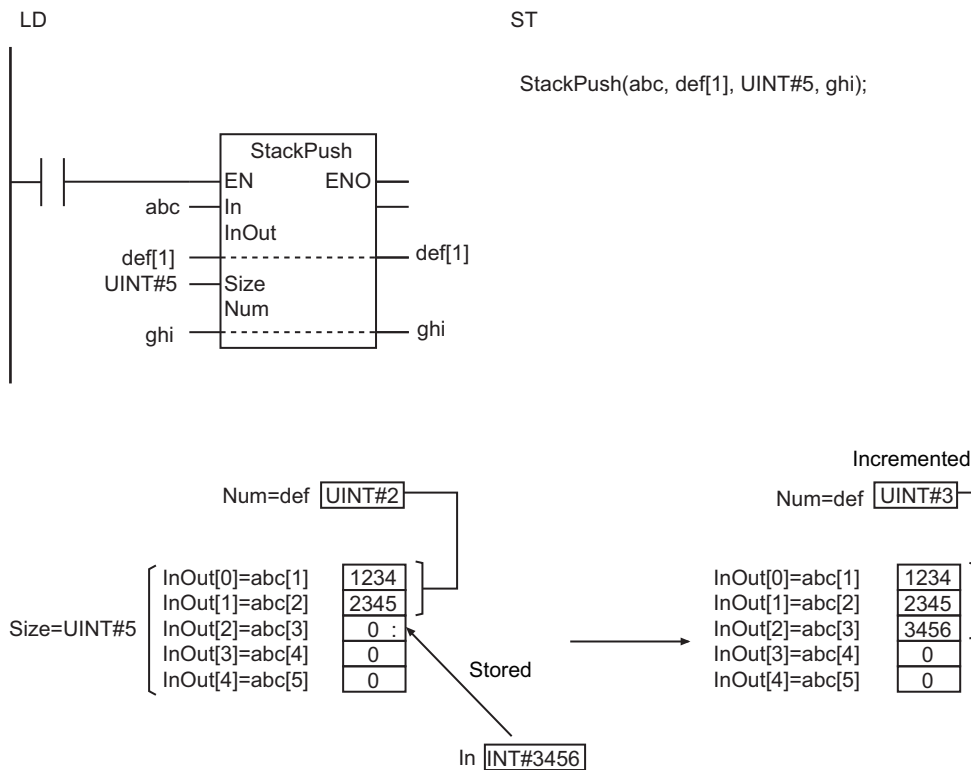
The StackPush instruction assumes that there are *Num* elements stored in stack array InOut[]. *In* (input value) is written to the next element, InOut[*Num*].

And then, *Num* is incremented.



For *Size* (the number of stack elements), specify the number of *InOut[]* elements to be used for the stack.

The following shows an example where *Size* is *UINT#5* and *Num* is *UINT#2*.



## Additional Information

Use the instruction, *StackFIFO* and *StackLIFO* on page 2-535, to remove the bottom or top value that was stored in the stack.

## Precautions for Correct Use

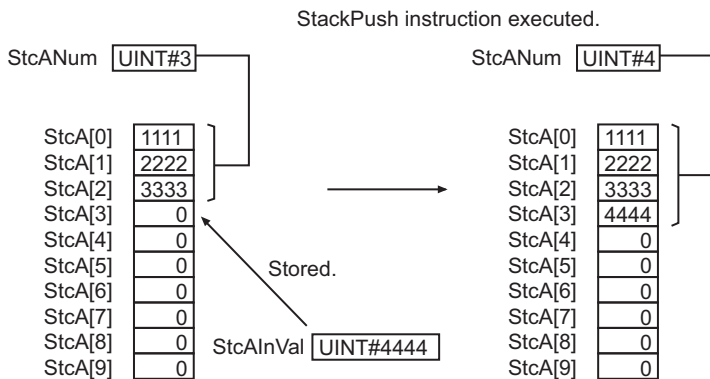
- Use the same data type for *In* and the elements of *InOut[]*. If they are different, a building error will occur.
- When an element in the array is passed to *InOut[]*, all elements below the passed element are processed.
- The values in *InOut[]* and *Num* do not change if the value of *Size* is 0.
- Always use a variable for the input parameter to pass to *In*. A building error will occur if a constant is passed.
- If *In* is an enumeration, you cannot directly pass an enumerator. A building error will occur if any enumerator is passed directly.
- Return value *Out* is not used when the instruction is used in ST.
- An error will occur in the following cases. *ENO* will be FALSE, and *InOut[]* will not change.
  - a) The value of *Size* is not 0, and *Num* is greater than or equal to *Size*.
  - b) The value of *Size* exceeds the array area of *InOut[]*.
  - c) *In* and *InOut[]* are STRING data and the number of bytes in *In* exceeds the size of *InOut[]*.

## Sample Programming

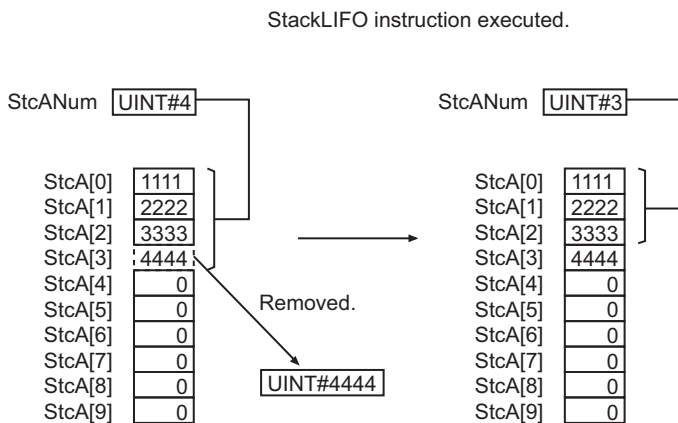
The array variable StcA[0..9] is used as a stack. As preparations, three values (UINT#1111, UINT#2222, and UINT#3333) are stored in the stack.

StcA[0]	1111
StcA[1]	2222
StcA[2]	3333
StcA[3]	0
StcA[4]	0
StcA[5]	0
StcA[6]	0
StcA[7]	0
StcA[8]	0
StcA[9]	0

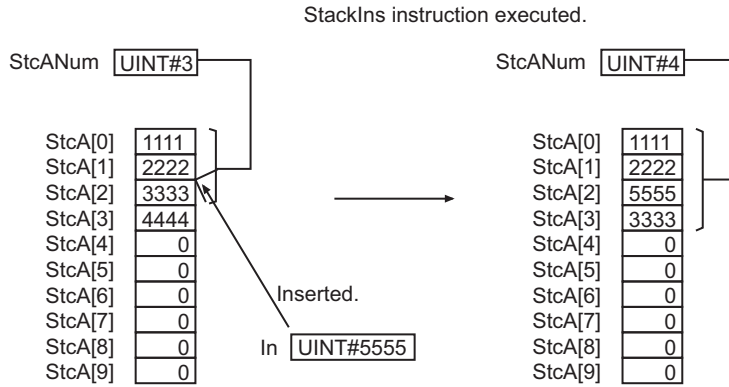
The StackPush instruction is used to store a new value (UINT#4444) at the top of the stack StcA[3]. That means there will be four values in the stack.



Then, the StackLIFO instruction is used to remove one value at the top of the stack StcA[3]. That means there will be three values in the stack.



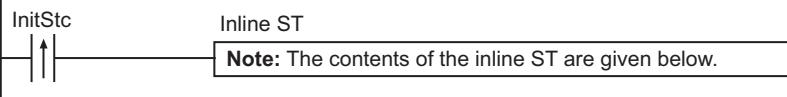
And last, the StackIns instruction is used to insert a value (UINT#5555) between StcA[1] and StcA[2]. That means there will be four values in the stack.



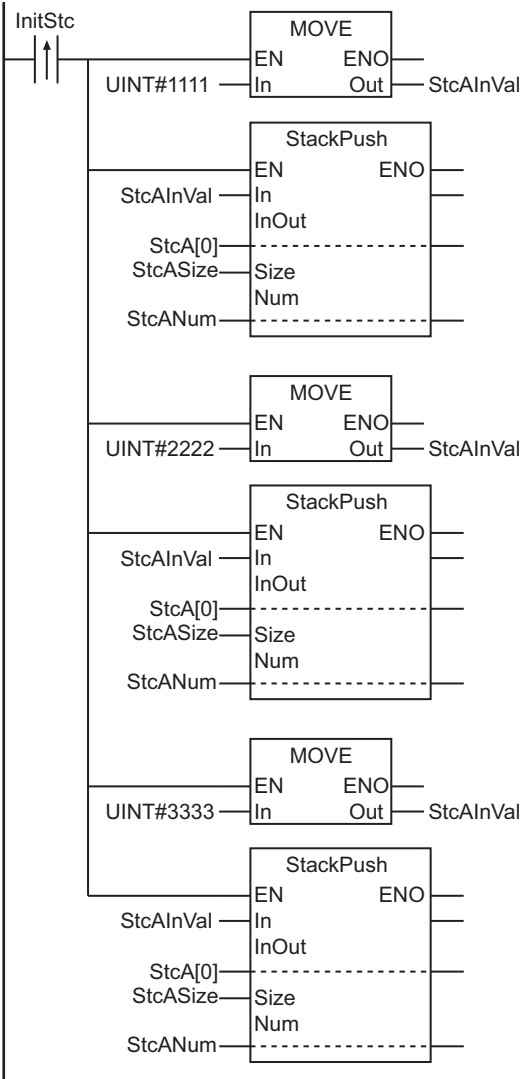
**LD**

Variable	Data type	Initial value	Comment
InitStc	BOOL	FALSE	Stack initialization condition
StcANum	UINT	0	Number of stored elements
StcA	ARRAY[0..9] OF UINT	[10(0)]	Stack array
StcASize	UINT	0	Number of stack elements
SetParaPush	BOOL	FALSE	Execution condition to set StcAInVal.
StcAInVal	UINT	0	Value added by StackPush
StcAPushStat	BOOL	FALSE	StackPush execution condition
StackPush_err	BOOL	FALSE	StackPush error flag
StcALIFOStat	BOOL	FALSE	StackLIFO execution condition
StcAOutVal	UINT	0	Value removed by StackLIFO
StackLIFO_err	BOOL	FALSE	StackLIFO error flag
SetParaIns	BOOL	FALSE	Execution condition to set StcAInsVal and StcAOffset
StcAInsVal	UINT	0	Value inserted by StackIns
StcAOffset	UINT	0	Offset for StackIns
StcAInsStat	BOOL	FALSE	StackIns execution condition
StackIns_err	BOOL	FALSE	StackIns error flag

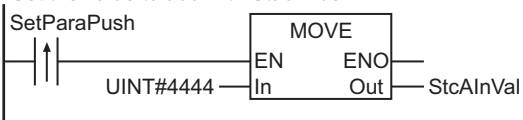
Initialize stack.



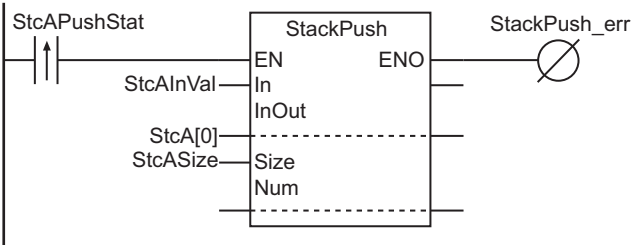
Store three values in stack.



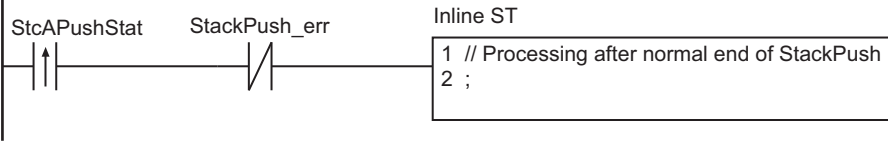
Set the value to add with StackPush.



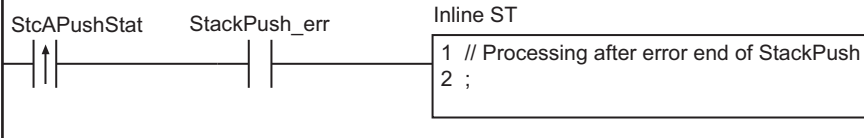
Add data with StackPush instruction.



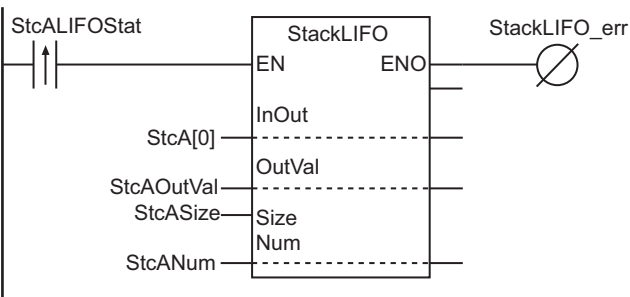
Processing after normal end of StackPush



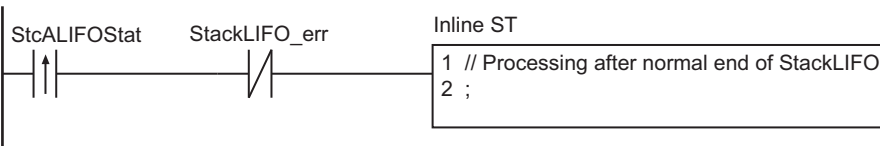
Processing after error end of StackPush



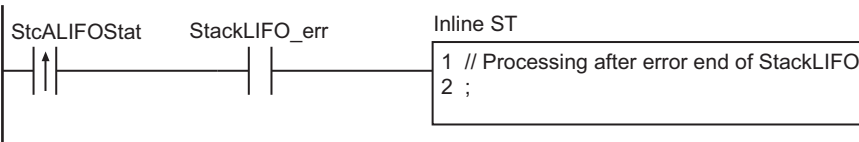
Remove data with StackLIFO instruction.



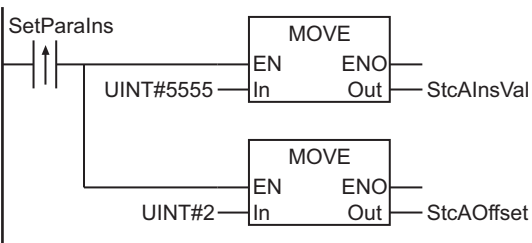
Processing after normal end of StackLIFO



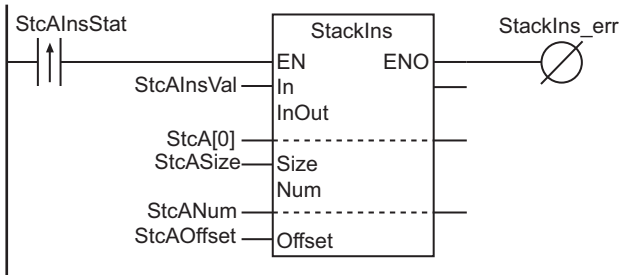
Processing after error end of StackLIFO



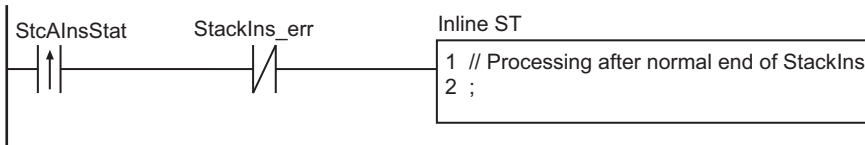
Set the insert value and offset with StackInsh.



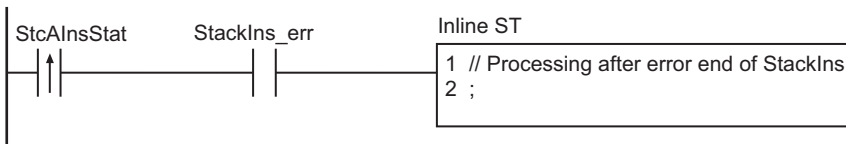
Insert data with StackIns instruction.



Processing after normal end of StackIns



Processing after error end of StackIns



### ● Contents of Inline ST

```
StcANum:=0;
Clear (StcA);
StcASize:=SizeOfAry (StcA);
```

## ST

Variable	Data type	Initial value	Comment
InitStc	BOOL	FALSE	Stack initialization condition
preInitStc	BOOL	FALSE	Value of InitStc from previous task period
StcANum	UINT	0	Number of stored elements
StcA	ARRAY[0..9] OF UINT	[10(0)]	Stack array
StcASize	UINT	0	Number of stack elements
StcAPushStat	BOOL	FALSE	StackPush execution condition
preStcAPushStat	BOOL	FALSE	Value of StcAPushStat from previous task period
StcAlnVal	UINT	0	Value added by StackPush
StcAPush_OK	BOOL	FALSE	StackPush normal end flag
StcAPushNormalEnd	BOOL	FALSE	Processing after normal end of StackPush
StcAPushErrorEnd	BOOL	FALSE	Processing after error end of StackPush
StcALIFOStat	BOOL	FALSE	StackLIFO execution condition
preStcALIFOStat	BOOL	FALSE	Value of StcALIFOStat from previous task period
StcAOutVal	UINT	0	Value removed by StackLIFO
StcALIFO_OK	BOOL	FALSE	StackLIFO normal end flag
StcALIFONormalEnd	BOOL	FALSE	Processing after normal end of StackLIFO
StcALIFOErrorEnd	BOOL	FALSE	Processing after error end of StackLIFO

Variable	Data type	Initial value	Comment
StcAlnsStat	BOOL	FALSE	StackIns execution condition
preStcAlnsStat	BOOL	FALSE	Value of StcAlnsStat from previous task period
StcAlnsVal	UINT	0	Value inserted by StackIns
StcAOffset	UINT	0	Offset for StackIns
StcAlns_OK	BOOL	FALSE	StackIns normal end flag
StcAlnsNormalEnd	BOOL	FALSE	Processing after normal end of StackIns
StcAlnsErrorEnd	BOOL	FALSE	Processing after error end of StackIns

```

// Initialize stack.
IF ( (InitStc=TRUE) AND (preInitStc=FALSE) ) THEN
    StcANum:=0;
    Clear(StcA);
    StcASize:=SizeOfAry(StcA);
END_IF;

// Store three values in stack.
IF ( (InitStc=TRUE) AND (preInitStc=FALSE) ) THEN
    StackPush(In:=UINT#1111, InOut:=StcA[0], Size:=StcASize, Num:=StcANum);
    StackPush(In:=UINT#2222, InOut:=StcA[0], Size:=StcASize, Num:=StcANum);
    StackPush(In:=UINT#3333, InOut:=StcA[0], Size:=StcASize, Num:=StcANum);
END_IF;

preInitStc:=InitStc;

// Add data with StackPush instruction.
IF ( (StcAPushStat=TRUE) AND (preStcAPushStat=FALSE) ) THEN
    StcAInVal:=UINT#4444;
    StackPush(
        In :=StcAInVal, // Value to add
        InOut:=StcA[0], // First element in stack array
        Size :=StcASize, // Number of stack elements
        Num :=StcANum, // Number of stored elements
        ENO =>StcAPush_OK); // Normal end flag
    IF (StcAPush_OK=TRUE) THEN
        StcAPushNormalEnd:=TRUE; // Processing after normal end
    ELSE
        StcAPushErrorEnd:=TRUE; // Processing after error end
    END_IF;
END_IF;

preStcAPushStat:=StcAPushStat;

// Remove data with StackLIFO instruction.
IF ( (StcALIFOStat=TRUE) AND (preStcALIFOStat=FALSE) ) THEN
    StackLIFO(
        InOut :=StcA[0], // First element in stack array
        OutVal :=StcAOutVal, // Value removed from stack

```

```
    Size :=StcASize, // Number of stack elements
    Num :=StcANum, // Number of stored elements
    ENO =>StcALIFO_OK); // Normal end flag
IF (StcALIFO_OK=TRUE) THEN
    StcALIFONormalEnd:=TRUE; // Processing after normal end
ELSE
    StcALIFOErrorEnd:=TRUE; // Processing after error end
END_IF;
END_IF;
preStcALIFOStat:=StcALIFOStat;

// Insert data with StackIns instruction.
IF ( (StcAInsStat=TRUE) AND (preStcAInsStat=FALSE) ) THEN
    StcAInsVal:=UINT#5555;
    StcAOffset:=UINT#2;
    StackIns(
        In :=StcAInsVal, // Value to insert into stack
        InOut :=StcA[0], // First element in stack array
        Size :=StcASize, // Number of stack elements
        Num :=StcANum, // Number of stored elements
        Offset:=StcAOffset, // Offset at which to insert value
        ENO =>StcAIns_OK); // Normal end flag
    IF (StcAIns_OK=TRUE) THEN
        StcAInsNormalEnd:=TRUE; // Processing after normal end
    ELSE
        StcAInsErrorEnd:=TRUE; // Processing after error end
    END_IF;
END_IF;
preStcAInsStat:=StcAInsStat;
```



# StackFIFO and StackLIFO

StackFIFO : Removes the bottom value from a stack.

StackLIFO : Removes the top value from a stack.

Instruction	Name	FB/ FUN	Graphic expression	ST expression
StackFIFO	First In First Out	FUN		StackFIFO(InOut, OutVal, Size, Num);
StackLIFO	Last In First Out	FUN		StackLIFO(InOut, OutVal, Size, Num);

## Variables

	Meaning	I/O	Description	Valid range	Unit	Default
Size	Number of stack elements	Input	Number of stack array elements	Depends on data type.	---	1
InOut[] (array)	Stack array	In-out	Array that functions as stack	Depends on data type.	---	---
OutVal	Output value		Value or structure output from stack			
Num	Number of stored elements		Number of elements stored in stack			
Out	Return value	Output	Always TRUE	TRUE only	---	---

	Boo lean	Bit strings					Integers							Real num bers		Times, durations, dates, and text strings				
	BOOL	BYTE	WORD	DWORD	LWORD	USINT	UINT	UDINT	ULINT	SINT	INT	DINT	LINT	REAL	LREAL	TIME	DATE	TOD	DT	STRING
Size							OK													
InOut[] (array)	OK	OK	OK	OK	OK	OK	OK	OK	OK	OK	OK	OK	OK	OK	OK	OK	OK	OK	OK	OK
OutVal	Must be the same data type as the elements of InOut[].																			
Num							OK													

	Boo lean	Bit strings					Integers							Real num- bers		Times, durations, dates, and text strings				
	BOOL	BYTE	WORD	DWORD	LWORD	USINT	UINT	UDINT	ULINT	SINT	INT	DINT	LINT	REAL	LREAL	TIME	DATE	TOD	DT	STRING
Out	OK																			

## Function

The instruction assumes that there are *Num* elements stored in stack array *InOut[]*. The instruction removes a value from the stack and assigns it to output value *OutVal*.

For *Size* as the number of stack elements, specify the number of elements in *InOut[]* as a stack.

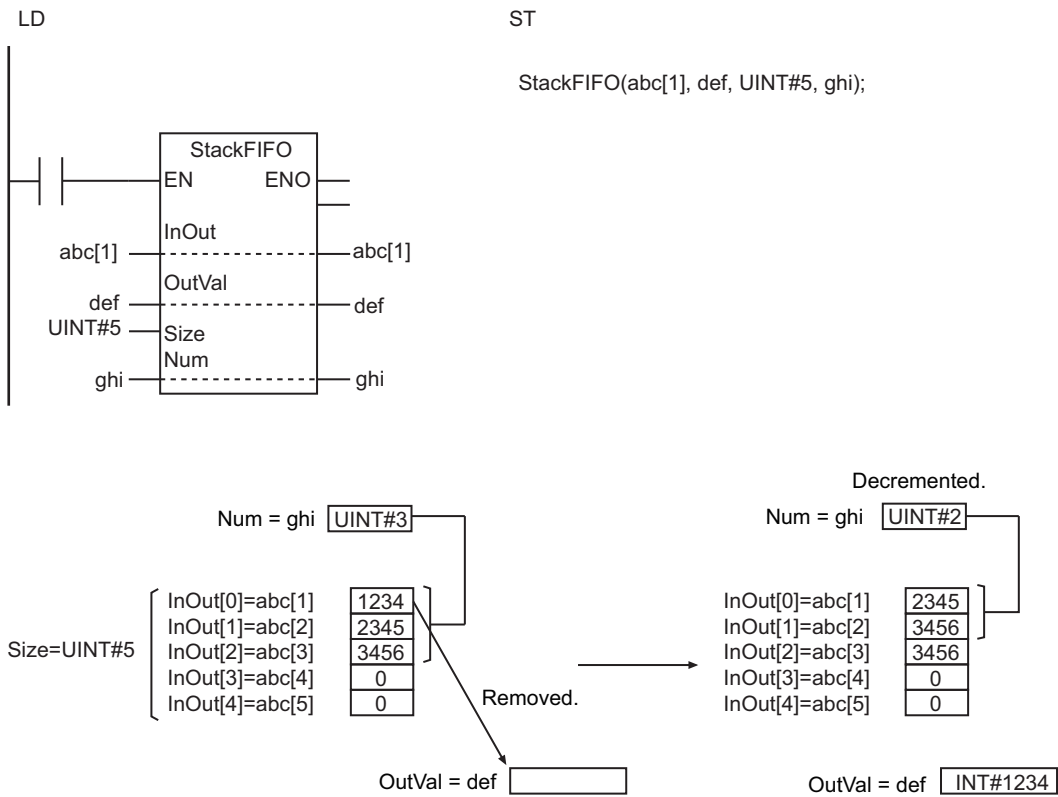
## StackFIFO

The StackFIFO instruction retrieves the value stored at the bottom of the stack. The value of *InOut[0]* is assigned to *OutVal*.

And then, each of *Num*-1 elements, which begins with *InOut[1]*, is shifted to the next lower element in the stack array.

And last, *Num* is decremented.

The following shows an example where *Size* is UINT#5 and *Num* is UINT#3.

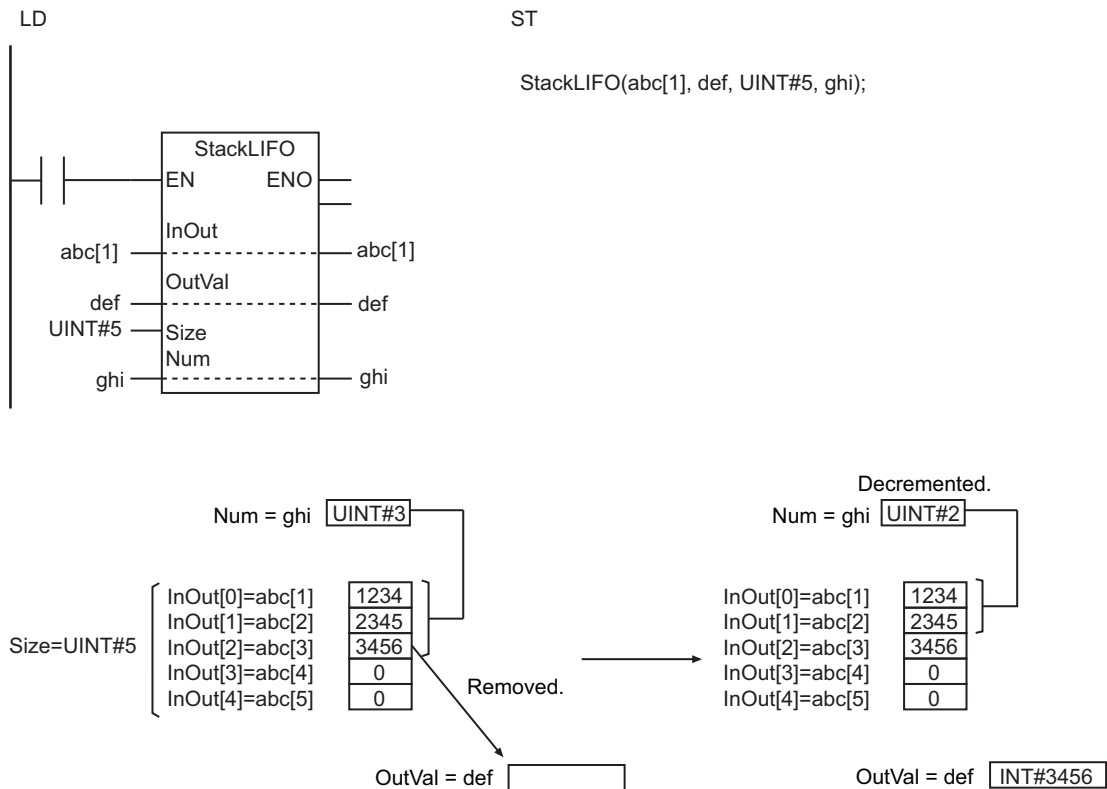


## StackLIFO

The StackLIFO instruction retrieves the value stored at the top of the stack. The value of  $\text{InOut}[\text{Num}-1]$  is assigned to  $\text{OutVal}$ .

And then,  $\text{Num}$  is decremented.

The following shows an example where  $\text{Size}$  is  $\text{UINT}\#5$  and  $\text{Num}$  is  $\text{UINT}\#2$ .



## Precautions for Correct Use

- Use the same data type for  $\text{InOut}[]$  and  $\text{OutVal}$ . If they are different, a building error will occur.
- When an element in the array is passed to  $\text{InOut}[]$ , all elements below the passed element are processed.
- The values in  $\text{InOut}[]$ ,  $\text{Num}$ , and  $\text{OutVal}$  do not change if the value of  $\text{Size}$  or  $\text{Num}$  is 0.
- Return value  $\text{Out}$  is not used when the instruction is used in ST.
- An error will occur in the following cases.  $\text{ENO}$  will be FALSE, and  $\text{OutVal}$  will not change.
  - a) The values of  $\text{Num}$  and  $\text{Size}$  are not 0, and  $\text{Num}$  is greater than  $\text{Size}$ .
  - b) The value of  $\text{Size}$  exceeds the array area of  $\text{InOut}[]$ .
  - c)  $\text{InOut}[]$  is a STRING array and any of the elements does not end in a NULL character.
  - d)  $\text{InOut}[]$  is a STRING array and the number of bytes in the elements exceeds the size of  $\text{OutVal}$ .

## Sample Programming

Refer to *Sample Programming* on page 2-528 for the StackPush instruction.

# StackIns

The StackIns instruction inserts a value at a specified position in a stack.

Instruction	Name	FB/ FUN	Graphic expression	ST expression
StackIns	Insert into Stack	FUN		StackIns(In, InOut, Size, Num, Offset);

## Variables

	Meaning	I/O	Description	Valid range	Unit	Default
In	Insert value	Input	Value, structure, or structure member to insert into the stack	Depends on data type.	---	*1
Size	Number of stack elements		Number of stack array elements			1
Offset	Offset		Position in stack at which to insert <i>In</i>			0
InOut[] (array)	Stack array	In-out	Array that functions as stack	Depends on data type.	---	---
Num	Number of stored elements		Number of elements stored in stack			
Out	Return value	Output	Always TRUE	TRUE only	---	---

\*1. If you omit the input parameter, the default value is not applied. A building error will occur.

	Boo lean	Bit strings					Integers							Real num- bers		Times, durations, dates, and text strings				
	BOOL	BYTE	WORD	DWORD	LWORD	USINT	UINT	UDINT	ULINT	SINT	INT	DINT	LINT	REAL	LREAL	TIME	DATE	TOD	DT	STRING
In	OK	OK	OK	OK	OK	OK	OK	OK	OK	OK	OK	OK	OK	OK	OK	OK	OK	OK	OK	OK
	An enumeration, structure, or structure member can also be specified.																			
Size							OK													
Offset							OK													
InOut[] (array)	Must be an array with elements that have the same data type as <i>In</i> .																			
Num							OK													
Out	OK																			

## Function

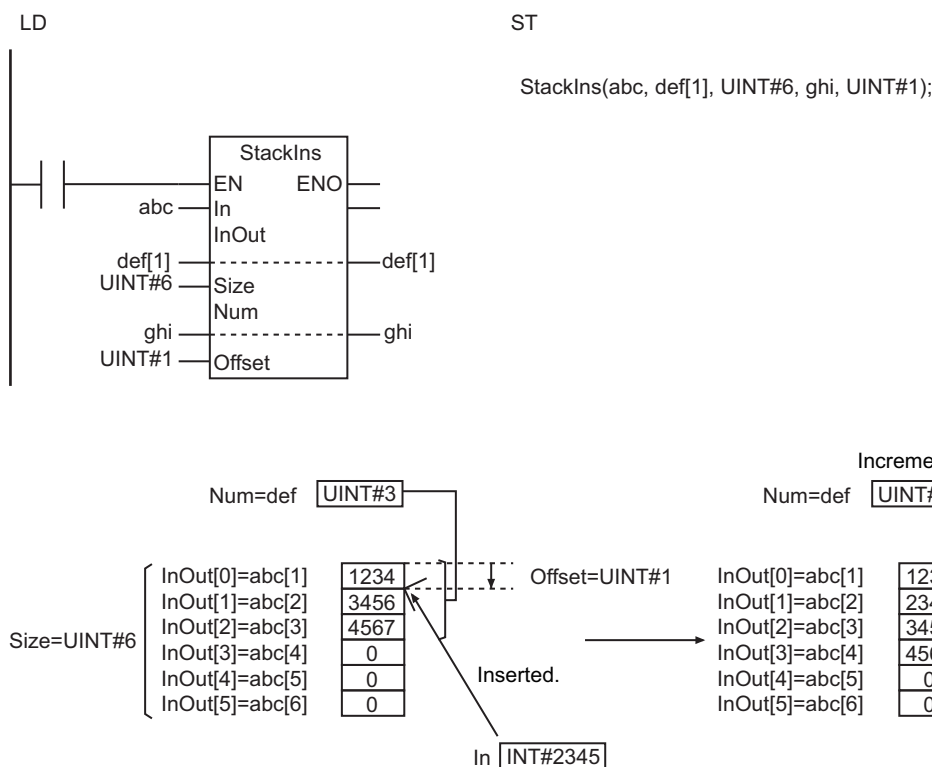
The StackIns instruction assumes that there are *Num* elements stored in stack array InOut[]. *In* (insert value) is inserted at the position of InOut[*Offset*], which is specified by *Offset*.

Each of all the higher elements, i.e., InOut[*Offset*] to InOut[*Num*-1], is moved to the next higher element in the stack array.

And then, *Num* is incremented.

For *Size* (the number of stack elements), specify the number of InOut[] elements to be used for the stack.

The following shows an example where *Size* is UINT#6, *Num* is UINT#3 and *Offset* is UINT#1.



## Precautions for Correct Use

- Use the same data type for *In* and InOut[]. If they are different, a building error will occur.
- When an element in the array is passed to InOut[], all elements below the passed element are processed.
- The values in InOut[] and *Num* do not change if the value of *Size* is 0.
- Always use a variable for the input parameter to pass to *In*. A building error will occur if a constant is passed.
- If *In* is an enumeration, you cannot directly pass an enumerator. A building error will occur if any enumerator is passed directly.
- Return value *Out* is not used when the instruction is used in ST.
- An error will occur in the following cases. *ENO* will be FALSE, and InOut[] will not change.
  - a) The value of *Size* is not 0, and *Size* is not greater than *Num*, which is not greater than or equal to *Offset*.
  - b) The value of *Size* exceeds the array area of InOut[].

- c) *In* and *InOut[]* are STRING data and the number of bytes in *In* exceeds the size of *InOut[]*.

### Sample Programming

Refer to *Sample Programming* on page 2-528 for the StackPush instruction.

# StackDel

The StackDel instruction deletes a value from a specified position in a stack.

Instruction	Name	FB/ FUN	Graphic expression	ST expression
StackDel	Delete from Stack	FUN		StackDel(InOut, Size, Num, Offset);

## Variables

	Meaning	I/O	Description	Valid range	Unit	Default
Size	Number of stack elements	Input	Number of stack array elements	Depends on data type.	---	1
Offset	Offset		Offset of value to delete from stack			0
InOut[] (array)	Stack array	In-out	Array that functions as stack	Depends on data type.	---	---
Num	Number of stored elements		Number of elements stored in stack			
Out	Return value	Output	Always TRUE	TRUE only	---	---

	Boo lean	Bit strings					Integers							Real num- bers		Times, durations, dates, and text strings				
	BOOL	BYTE	WORD	DWORD	LWORD	USINT	UINT	UDINT	ULINT	SINT	INT	DINT	LINT	REAL	LREAL	TIME	DATE	TOD	DT	STRING
Size							OK													
Offset							OK													
InOut[] (array)	OK	OK	OK	OK	OK	OK	OK	OK	OK	OK	OK	OK	OK	OK	OK	OK	OK	OK	OK	OK
	Arrays of enumerations or structures can also be specified.																			
Num							OK													
Out	OK																			

## Function

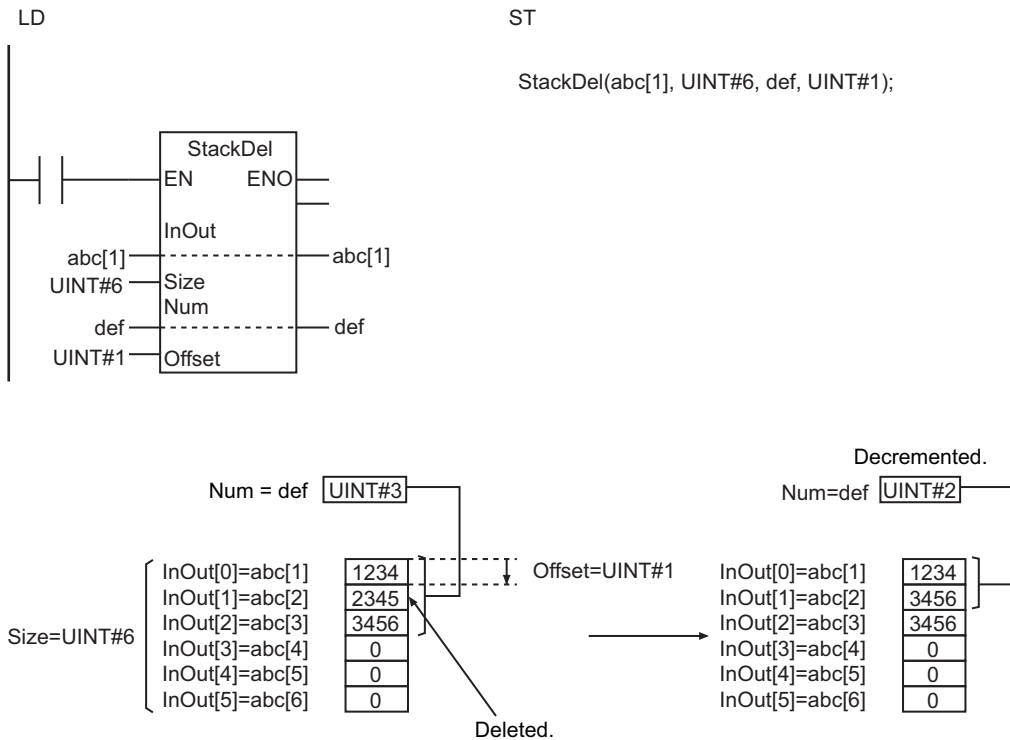
The StackDel instruction assumes that there are *Num* elements stored in stack array InOut[]. It deletes the value at the position of InOut[*Offset*], which is specified by *Offset*.

Each of all the higher elements, i.e., InOut[*Offset*+1] to InOut[*Num*-1], is moved to the next lower element in the stack array.

And then, *Num* is decremented.

For *Size* (the number of stack elements), specify the number of *InOut[]* elements to be used for the stack.

The following shows an example where *Size* is *UINT#6*, *Num* is *UINT#3* and *Offset* is *UINT#1*.



### Precautions for Correct Use

- When an element in the array is passed to *InOut[]*, all elements below the passed element are processed.
- The values in *InOut[]* and *Num* do not change if the value of *Size* or *Num* is 0.
- Return value *Out* is not used when the instruction is used in ST.
- An error will occur in the following cases. *ENO* will be FALSE, and *InOut[]* will not change.
  - a) The values of *Num* and *Size* are not 0, and *Size* is not greater than or equal to *Num*, which is not greater than *Offset*.
  - b) The value of *Size* exceeds the array area of *InOut[]*.



# RecSearch

The RecSearch instruction searches an array of structures for elements that match the search key with the specified method.

Instruction	Name	FB/ FUN	Graphic expression	ST expression
RecSearch	Record Search	FUN	<pre> graph LR     subgraph RecSearch         EN[EN]         In[In]         Size[Size]         Member[Member]         Key[Key]         Mode[Mode]         InOutPos[InOutPos]         ENO[ENO]         Num[Num]         Out[Out]     end     EN --- ENO     In --- Out     Size --- Num     Member --- Out     Key --- Out     Mode --- Out     InOutPos --- Out         </pre>	Out:=RecSearch(In, Size, Member, Key, Mode, InOutPos, Num);

## Variables

	Meaning	I/O	Description	Valid range	Unit	Default
In[] (array)	Array to search	Input	Array of structures to search	---	---	*1
Size	Number of elements to search		Number of array elements to search	Depends on data type.		1
Member	Member to search		Member of In[] structure to search			*1
Key	Search key		Search value			
Mode	Search method		Search method	_LINEAR, _BIN_ASC, _BIN_DESC		_LINEAR
InOutPos[] (array)	Element numbers of matching elements	In-out	Element numbers of matching elements	Depends on data type.	---	---
Out	Search result	Output	TRUE: There are elements that match conditions FALSE: There are no elements that match conditions	Depends on data type.	---	---
Num	Number of matches		Number of matches			

\*1. If you omit the input parameter, the default value is not applied. A building error will occur.

	Boo lean	Bit strings				Integers							Real num bers		Times, durations, dates, and text strings					
	BOOL	BYTE	WORD	DWORD	LWORD	USINT	UINT	UDINT	ULINT	SINT	INT	DINT	LINT	REAL	LREAL	TIME	DATE	TOD	DT	STRING
In[] (array)																				
Size							OK													

	Boo lean	Bit strings				Integers								Real num- bers		Times, durations, dates, and text strings				
	BOOL	BYTE	WORD	DWORD	LWORD	USINT	UINT	UDINT	ULINT	SINT	INT	DINT	LINT	REAL	LREAL	TIME	DATE	TOD	DT	STRING
Member						OK	OK	OK	OK	OK	OK	OK	OK	OK	OK	OK *1	OK *1	OK *1	OK *1	OK *1
	Specify the same data type as the search member of In[]																			
Key	Must be the same data type as <i>Member</i> .																			
Mode	Refer to <i>Function</i> on page 2-544 for the enumerators of the enumerated type <code>_eSEARCH_MODE</code> .																			
InOutPos[] (array)						OK														
Out	OK																			
Num						OK														

\*1. You can specify TIME, DATE, TOD, DT, and STRING data with CPU Units with unit version 1.01 or later and Sysmac Studio version 1.02 or higher.

## Function

The RecSearch instruction searches *Size* elements in the array of structures In[], i.e., from In[0] to In[Size-1], for *Member* (member to search) that matches the search key *Key*.

The member to search of an element in In[] is passed to *Member* as an argument.

If any matching element is found, the value of search result *Out* changes to TRUE. The element number of the matching element is assigned to InOutPos[0] and the number of matching elements is assigned to *Num*. If there is more than one matching element, the element number of the lowest matching element in In[] is assigned to InOutPos[0].

If there are no matching elements, the value of *Out* will be FALSE, and InOutPos[0] and *Num* will be 0.

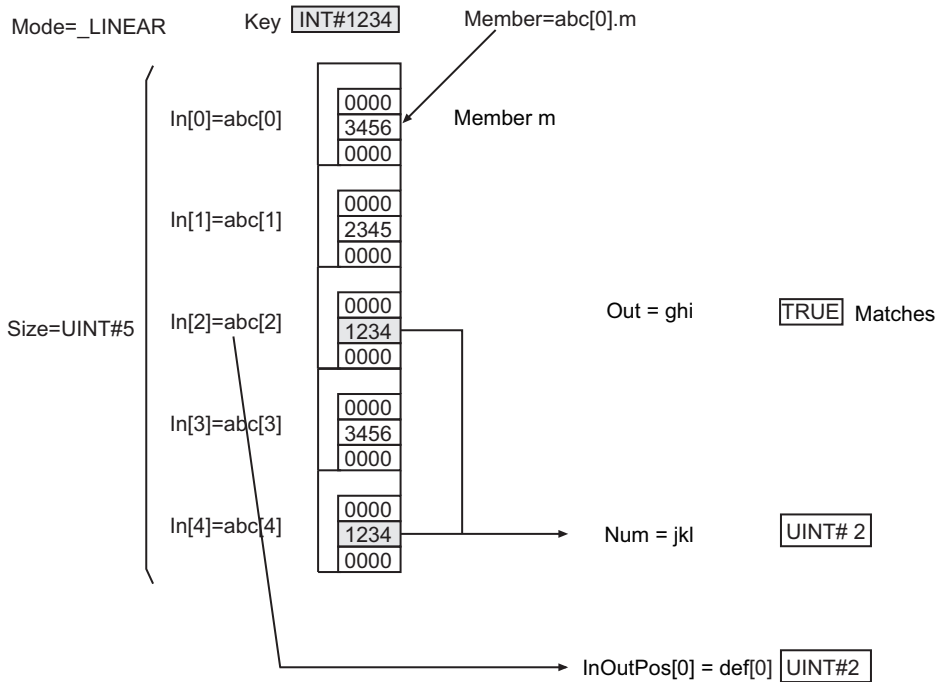
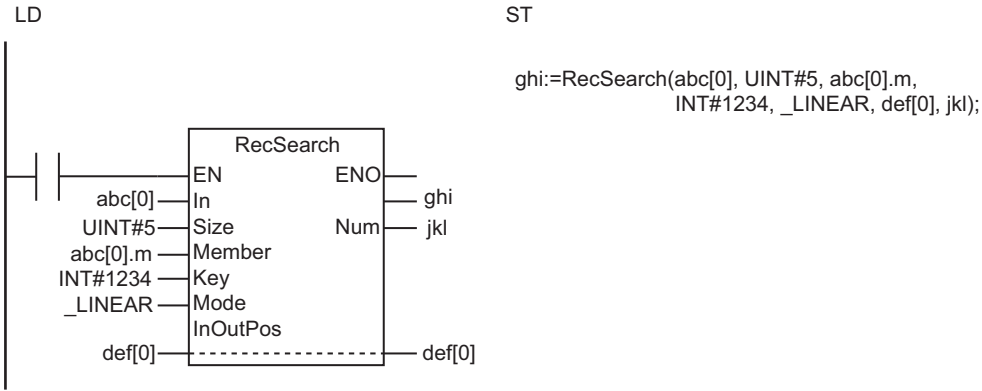
Always attach the element number to input parameter that is passed to In[], e.g., array[3].

The data type of search method *Mode* is enumerated type `_eSEARCH_MODE`. The meanings of the enumerators are as follows:

Enumerator	Meaning
<code>_LINEAR</code>	Linear search
<code>_BIN_ASC</code>	Ascending binary search
<code>_BIN_DESC</code>	Descending binary search

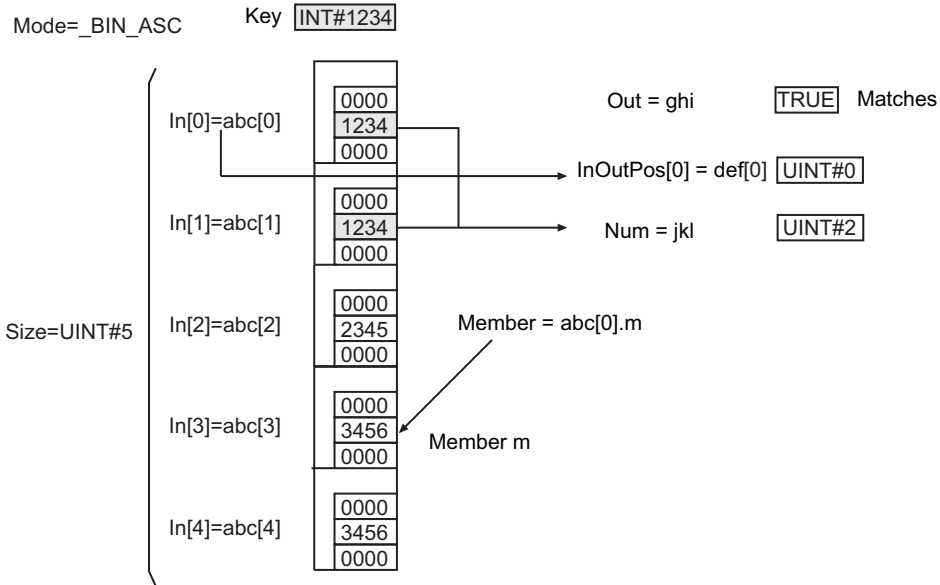
For a linear search, the search is performed in order from the first element of In[].

The following shows an example where *Size* is `UINT#5`, *Key* is `INT#1234` and *Mode* is `_LINEAR`.



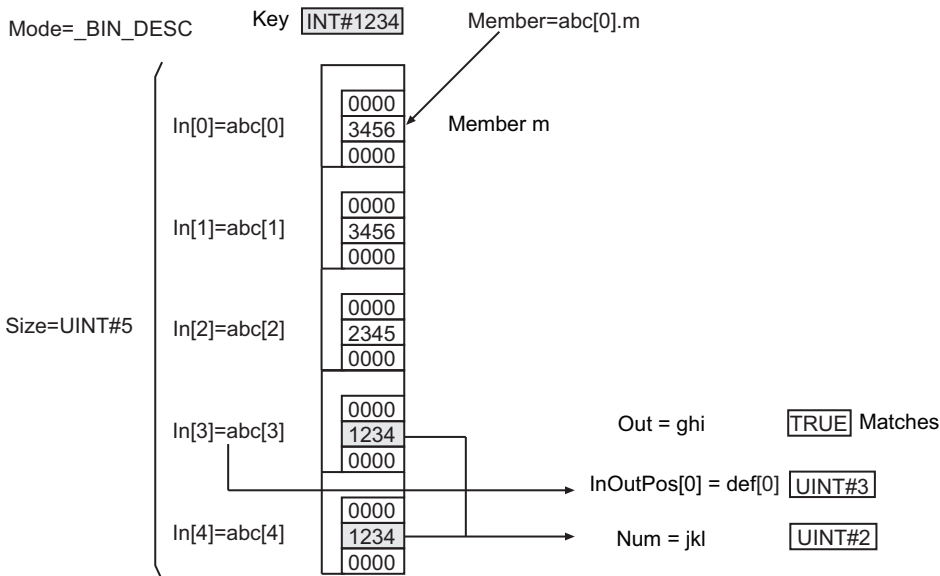
For an ascending binary search, the array elements in the input parameter that is passed to In[] must be in ascending order before this instruction is executed. Then a binary search is performed by executing this instruction.

Using the same example as before, the order of the array elements and the processing results will be as shown below for an ascending binary search.



For a descending binary search, the array elements in the input parameter that is passed to In[] must be in descending order before this instruction is executed. Then a binary search is performed by executing this instruction.

Using the same example as before, the order of the array elements and the processing results will be as shown below for a descending binary search.



### Additional Information

- In[] can be a member of a higher-level structure.  
Example: In[0]=str0.str1[0]
- In[] can be an array with two or more dimensions. If In[] is a two-dimensional array, the element number in the first dimension of the element that matches the search conditions is assigned to InOutPos[0] and the element number in the second dimension is assigned to InOutPos[1].
- If In[] is a three-dimensional array, the element number in the first dimension of the element that matches the search conditions is assigned to InOutPos[0], the element number in the second

dimension is assigned to `InOutPos[1]`, and the element number in the third dimension is assigned to `InOutPos[2]`.

- When you search TIME, DT, or TOD data, adjust the accuracy of *Member* and *Key* to the same. You can use the following instructions for the adjustment: *TruncTime* on page 2-702, *TruncDt* on page 2-706, and *TruncTod* on page 2-710.

## Precautions for Correct Use

- Use an array that is the element of a structure for `In[]`. Otherwise, a building error will occur.
- The data types of *Key* and *Member* must be the same. If they are different, a building error will occur.
- When an element in the array is passed to `In[]`, all elements below the passed element are processed.
- If *Member* is a real number, expected results may not be obtained due to error, depending on the value.
- If *Key* is a real number, do not specify a non-numeric value for *Key*.
- If the value of *Size* is 0, the value of *Out* is FALSE and the value of *Num* is 0. `InOutPos[]` will not change.
- A correct result will not be obtained if the value of *Mode* is `_BIN_ASC` or `_BIN_DESC` and the elements of `In[]` are not in ascending or descending order. Sort the elements in ascending or descending order before executing this instruction.
- An error will occur in the following cases. *ENO* will be FALSE, and *Out*, `InOutPos[]`, and *Num* will not change.
  - a) The value of *Mode* is outside the valid range.
  - b) The value of *Size* exceeds the array area of `In[]`.
  - c) *Member* is not a member of `In[]`.
  - d) The array size of `InOutPos[]` is smaller than the number of dimensions of `In[]`.
  - e) *Member* is STRING data and it does not end with a NULL character.

# RecRangeSearch

The RecRangeSearch instruction searches an array of structures for elements that match the search condition range with the specified method.

Instruction	Name	FB/ FUN	Graphic expression	ST expression
RecRange- Search	Range Record Search	FUN		Out:=RecRangeSearch(In, Size, Member, MN, MX, Condition, Mode, InOutPos, Num);

## Variables

	Meaning	I/O	Description	Valid range	Unit	Default
In[] (array)	Array to search	Input	Array of structures to search	---	---	*1
Size	Number of elements to search		Number of array elements to search			1
Member	Member to search		Member of In[] structure to search	Depends on data type.		*1
MN	Search condition lower limit		Search condition lower limit			
MX	Search condition upper limit		Search condition upper limit			
Condition	Search condition		Search condition	_EQ_BOTH, _EQ_MIN, _EQ_MAX, _NE_BOTH		_EQ_BOTH
Mode	Search method	Search method	_LINEAR, _BIN_ASC, _BIN_DESC	_LINEAR		
InOutPos[] (array)	Element numbers of matching elements	In-out	Element numbers of matching elements	Depends on data type.	---	---
Out	Search result	Output	TRUE: There are elements that match conditions FALSE: There are no elements that match conditions	Depends on data type.	---	---
Num	Number of matches		Number of matches			

\*1. If you omit the input parameter, the default value is not applied. A building error will occur.

	Boo lean	Bit strings				Integers								Real num- bers		Times, durations, dates, and text strings				
	BOOL	BYTE	WORD	DWORD	LWORD	USINT	UINT	UDINT	ULINT	SINT	INT	DINT	LINT	REAL	LREAL	TIME	DATE	TOD	DT	STRING
In[] (array)	Specify an array of structures.																			
Size							OK													
Member						OK	OK	OK	OK	OK	OK	OK	OK	OK	OK	OK	OK	OK	OK	OK
	Specify the same data type as the search member of In[]																			
MN	Must be the same data type as <i>Member</i> .																			
MX	Must be the same data type as <i>Member</i> .																			
Condition	Refer to <i>Function</i> on page 2-549 for the enumerators of the enumerated type <code>_eSEARCH_CONDITION</code> .																			
Mode	Refer to <i>Function</i> on page 2-549 for the enumerators of the enumerated type <code>_eSEARCH_MODE</code> .																			
InOutPos[] (array)							OK													
Out	OK																			
Num							OK													

\*1. You can specify TIME, DATE, TOD, DT, and STRING data with CPU Units with unit version 1.01 or later and Sysmac Studio version 1.02 or higher.

## Function

The RecRangeSearch instruction searches *Size* elements in the array of structures In[], i.e., from In[0] to In[Size-1], for *Member* (member to search) that matches the search condition.

*Condition* specifies the search condition, and *Mode* specifies the search method. Details are provided below.

The member to search of an element in In[] is passed to *Member* as an argument.

If any element that matches the search condition is found, the value of search result *Out* changes to TRUE. The element number of the matching element is assigned to InOutPos[0] and the number of matching elements is assigned to *Num*. If there is more than one matching element, the element number of the lowest matching element in In[] is assigned to InOutPos[0].

If there are no matching elements, the value of *Out* will be FALSE, and InOutPos[0] and *Num* will be 0.

Always attach the element number to input parameter that is passed to In[], e.g., array[3].

The data type of *Condition* (search condition) is enumerated type `_eSEARCH_CONDITION`. The meanings of the enumerators are as follows:

Enumerator	Meaning
<code>_EQ_BOTH</code>	$MN \leq Member \leq MX$
<code>_EQ_MIN</code>	$MN \leq Member < MX$
<code>_EQ_MAX</code>	$MN < Member \leq MX$
<code>_NE_BOTH</code>	$MN < Member < MX$

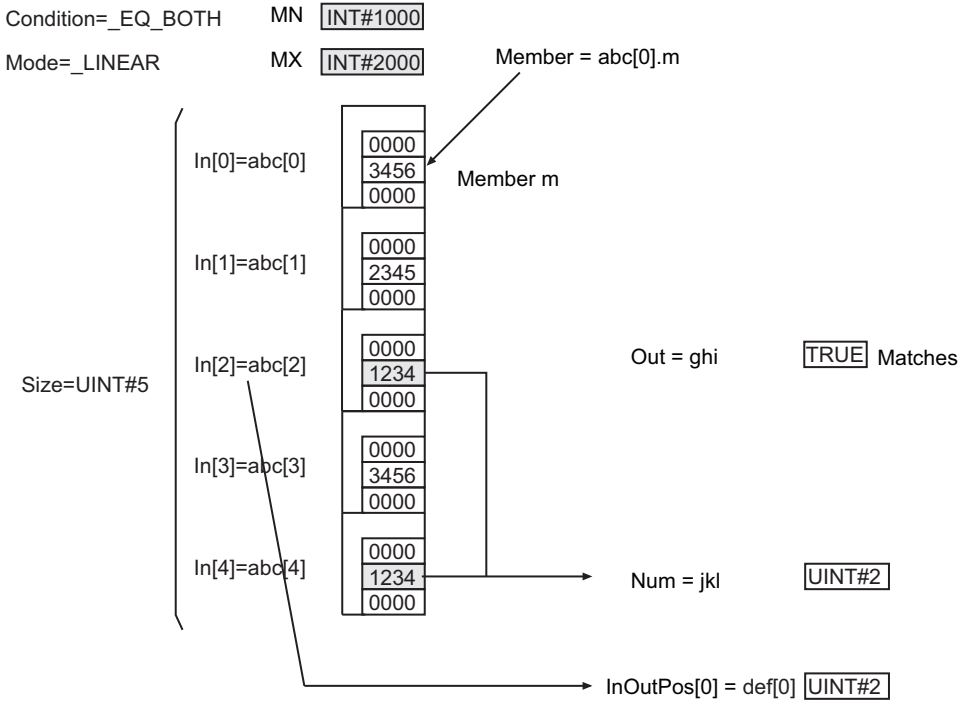
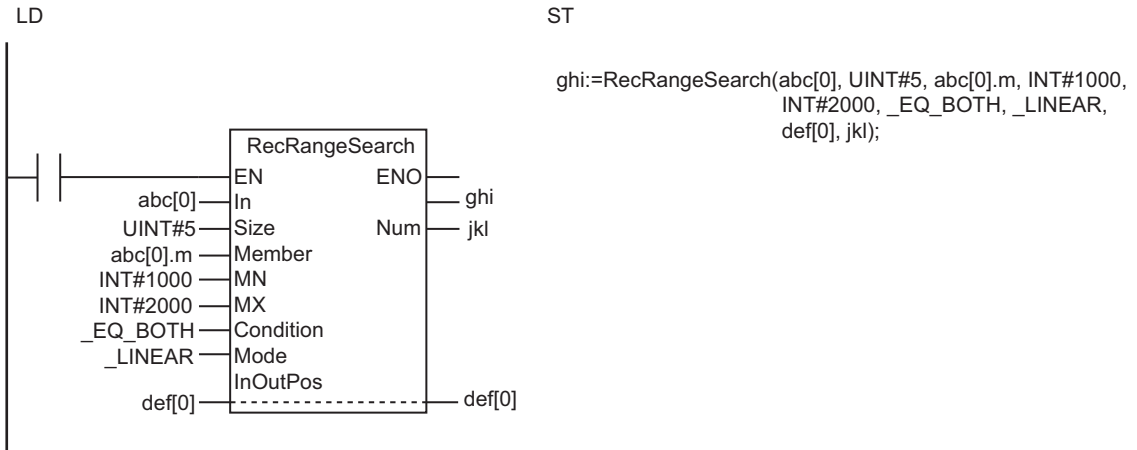
The data type of *Mode* (search method) is enumerated type `_eSEARCH_MODE`. The meanings of the enumerators are as follows:

Enumerator	Meaning
<code>_LINEAR</code>	Linear search

Enumerator	Meaning
_BIN_ASC	Ascending binary search
_BIN_DESC	Descending binary search

For a linear search, the search is performed in order from the first element of In[].

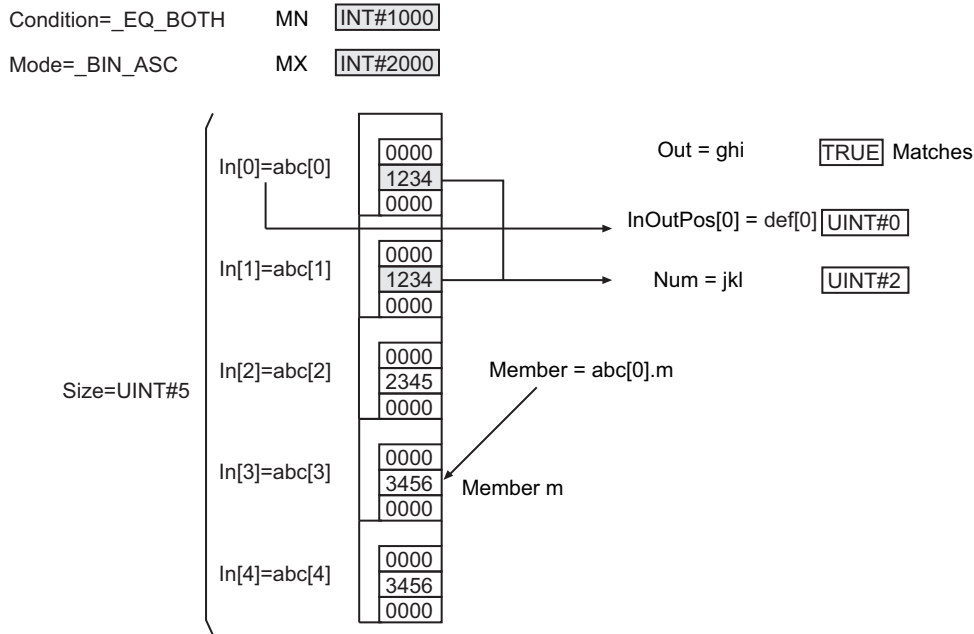
The following shows an example where *Size* is UINT#5, *MN* is INT#1000, *MX* is INT#2000, *Condition* is \_EQ\_BOTH, and *Mode* is \_LINEAR.



For an ascending binary search, the array elements in the input parameter that is passed to In[] must be in ascending order before this instruction is executed. Then a binary search is performed by executing this instruction.

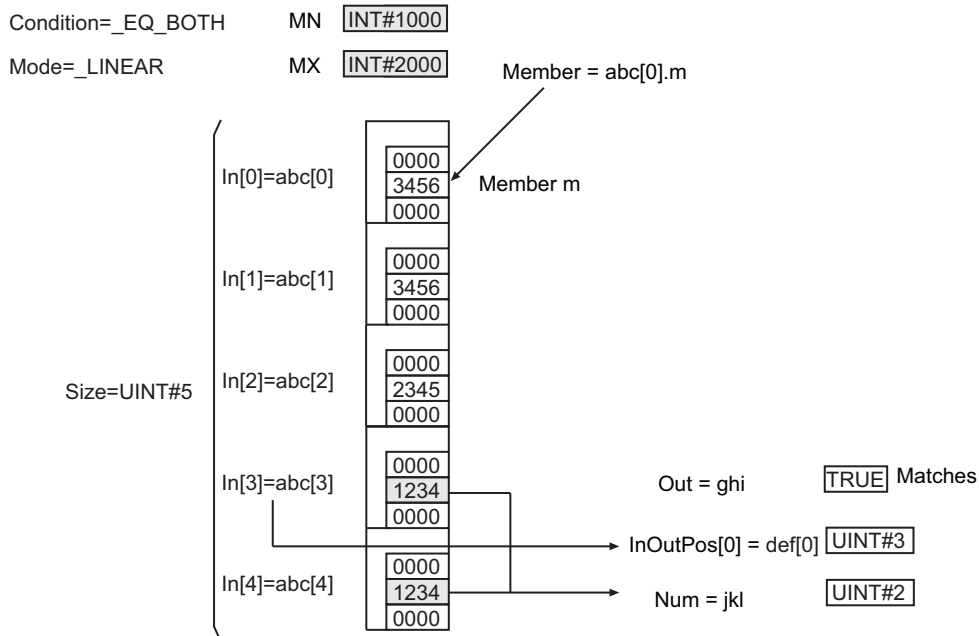
Using the same example as before, the order of the array elements and the processing results will be as shown below for an ascending binary search.





For a descending binary search, the array elements in the input parameter that is passed to In[] must be in descending order before this instruction is executed. Then a binary search is performed by executing this instruction.

Using the same example as before, the order of the array elements and the processing results will be as shown below for a descending binary search.



### Additional Information

- In[] can be a member of a higher-level structure.  
 Example: In[0]=str0.str1[0]

- `In[]` can be an array with two or more dimensions. If `In[]` is a two-dimensional array, the element number in the first dimension of the element that matches the search conditions is assigned to `InOutPos[0]` and the element number in the second dimension is assigned to `InOutPos[1]`.
- If `In[]` is a three-dimensional array, the element number in the first dimension of the element that matches the search conditions is assigned to `InOutPos[0]`, the element number in the second dimension is assigned to `InOutPos[1]`, and the element number in the third dimension is assigned to `InOutPos[2]`.
- When you search TIME, DT, or TOD data, adjust the accuracy of *Member*, *MN*, and *MX* to the same. You can use the following instructions for the adjustment: *TruncTime* on page 2-702, *TruncDt* on page 2-706, and *TruncTod* on page 2-710.

### Precautions for Correct Use

- Use the same data type for *Member*, *MN*, and *MX* as that of the `In[]` structure member to search. Otherwise, a building error will occur.
- Use an array that is the element of a structure for `In[]`. Otherwise, a building error will occur.
- When an element in the array is passed to `In[]`, all elements below the passed element are processed.
- If *Member* is a real number, the desired results may not be achieved due to error, depending on the value.
- If *MN* or *MX* is a real number, do not specify nonnumeric data.
- If the value of *Size* is 0, the value of *Out* is FALSE and the value of *Num* is 0. `InOutPos[]` does not change.
- A correct result will not be obtained if the value of *Mode* is `_BIN_ASC` or `_BIN_DESC` and the elements of `In[]` are not in ascending or descending order. Sort the elements in ascending or descending order before executing this instruction.
- An error will occur in the following cases. *ENO* will be FALSE, and *Out*, `InOutPos[]`, and *Num* will not change.
  - a) *MN* is greater than *MX*.
  - b) The value of *Condition* is outside the valid range.
  - c) The value of *Mode* is outside the valid range.
  - d) The value of *Size* exceeds the array area of `In[]`.
  - e) *Member* is not a member of `In[]`.
  - f) The array size of `InOutPos[]` is smaller than the number of dimensions of `In[]`.

# RecSort

The RecSort instruction sorts the elements of an array of structures.

Instruction	Name	FB/ FUN	Graphic expression	ST expression
RecSort	Record Sort	FB		RecSort_instance(Execute, InOut, Size, Member, Order, Done, Busy, Error);

## Variables

	Meaning	I/O	Description	Valid range	Unit	Default
Size	Number of elements to sort	Input	Number of array elements to sort	Depends on data type.	---	1
Member	Member to sort		Member of In[] structure to sort			*1
Order	Sort order		Sort order			_ASC, _DESC
InOut[] (array)	Sort array	In-out	Array of structures to sort	---	---	---

\*1. If you omit the input parameter, the default value is not applied. A building error will occur.

	Boo lean	Bit strings					Integers							Real num- bers		Times, durations, dates, and text strings				
	BOOL	BYTE	WORD	DWORD	LWORD	USINT	UINT	UDINT	ULINT	SINT	INT	DINT	LINT	REAL	LREAL	TIME	DATE	TOD	DT	STRING
Size							OK													
Member						OK	OK	OK	OK	OK	OK	OK	OK	OK	OK	OK *1	OK *1	OK *1	OK *1	OK *1
	Specify the same data type as the sort member of InOut[]																			
Order	Refer to <i>Function</i> on page 2-553 for the enumerators of the enumerated type <code>_eSORT_ORDER</code> .																			
InOut[] (array)	Specify an array of structures.																			

\*1. You can specify TIME, DATE, TOD, DT, and STRING data with CPU Units with unit version 1.01 or later and Sysmac Studio version 1.02 or higher.

## Function

When the value of *Execute* is TRUE, the RecSort instruction sorts *Size* elements of InOut[] (a structure array), i.e., from InOut[0] to InOut[Size-1], based on the value of *Member* (member to sort) of the structure. *Order* specifies the sort order.

The member to sort of an element in In[] is passed to *Member* as an argument.

Always attach the element number to the in-out parameter that is passed to InOut[], e.g., array[3].

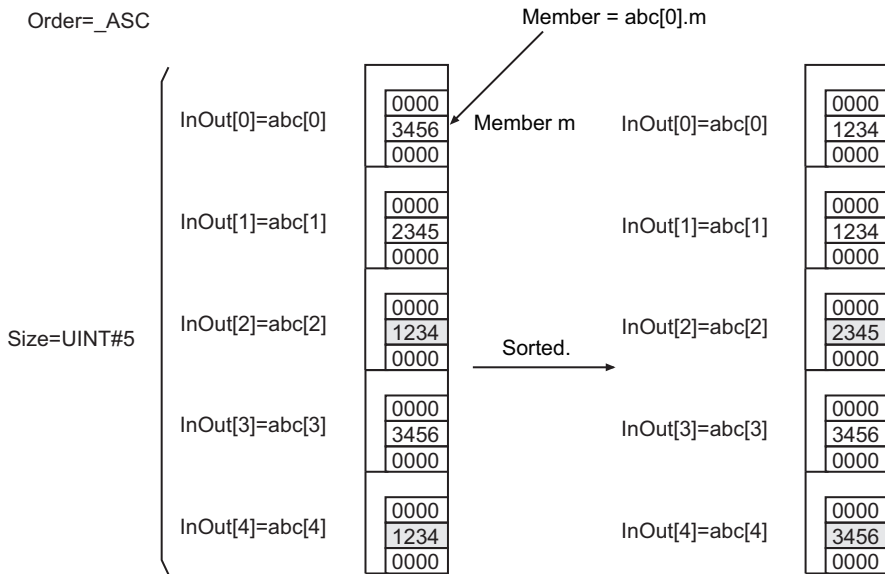
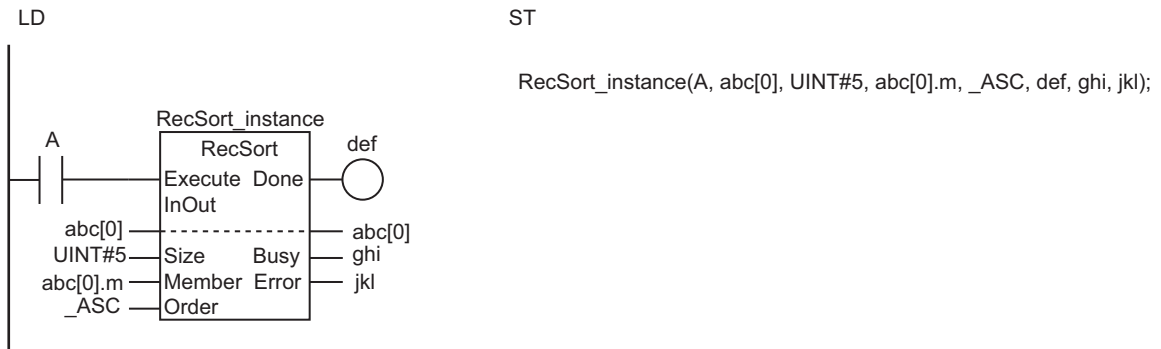
The data type of *Order* (sort order) is enumerated type `_eSORT_ORDER`. The meanings of the enumerators are as follows:

Enumerator	Meaning
<code>_ASC</code>	Ascending
<code>_DESC</code>	Descending

The relationship between values with data types that are not integers or real numbers are determined as given in the following table.

Data type	Relationship
TIME	The numerically larger value is considered to be larger.
DATE, TOD, or DT	Later dates or times of day are considered to be larger.
STRING	The specifications are the same as for the instructions, <i>LTascii</i> , <i>LEascii</i> , <i>GTascii</i> , and <i>GEascii</i> on page 2-115. Refer to the specified pages for details.

The following shows an example where *Size* is `UINT#5` and *Order* is `_ASC`.



## Additional Information

- If the power supply is interrupted during execution of this instruction, the contents of InOut may be corrupted. If you back up the contents of InOut[] each time the instruction is successfully completed, you can restore the data even if it is corrupted.  
Refer to *Sample Programming* on page 2-555.
- When you sort TIME, DT, or TOD data, adjust the precision of *Member* values to the same level. You can use the instructions, *TruncTime* on page 2-702, *TruncDt* on page 2-706, or *TruncTod* on page 2-710, to adjust the precision of values.

## Precautions for Correct Use

- This instruction is not a stable sort. The order of elements with the same rank may change after sorting.
- Use an array that is the element of a structure for InOut[]. Otherwise, a building error will occur.
- Execution of this instruction is continued until completed even if the value of *Execute* changes to FALSE or the execution time exceeds the task period. The value of *Done* changes to TRUE when processing is completed. Use this to confirm normal completion of the execution.
- Refer to *Using this Section* on page 2-3 for a timing chart for *Execute*, *Done*, *Busy*, and *Error*.
- If *Member* is a real number, the desired results may not be achieved due to error, depending on the value.
- When an element in the array is passed to InOut[], all the subsequent elements will be processed.
- If the value of *Size* is 0, the value of *Done* will be TRUE and InOut[] will not change.
- An error occurs in the following cases. *Error* will change to TRUE.
  - a) The value of *Order* is outside the valid range.
  - b) The value of *Size* exceeds the array area of InOut[].
  - c) *Member* is not a member of InOut[].
  - d) *Member* is STRING data and it does not end with a NULL character.

## Sample Programming

In this sample, the RecSort instruction sorts an array *Abc[]* of *MyStr* structures in ascending order. Sorting is performed based on the value of the *Abc[].m* member.

In order to prevent data loss due to a power interruption during processing, *Abc[]* is backed up in a variable named *Abc\_backup[]* before sorting. If a power interruption occurs, the contents of *Abc\_backup[]* is restored to *Abc[]* and the sort operation is redone.

## Definitions of Global Variables

### ● Data Types

Variable	Data type	Comment
MyStr	STRUCT	Structure
l	BOOL	Member
m	INT	Member
n	REAL	Member

● Global Variables

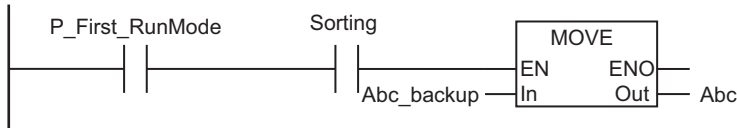
Variable	Data type	Initial value	Re- tain	Comment
Abc	ARRAY[0..4] OF MyStr	[5((l:=FALSE,m:=0,n:=0.0))]	☑	Sort array
Abc_back- up	ARRAY[0..4] OF MyStr	[5((l:=FALSE,m:=0,n:=0.0))]	☑	Backup of Abc[]

LD

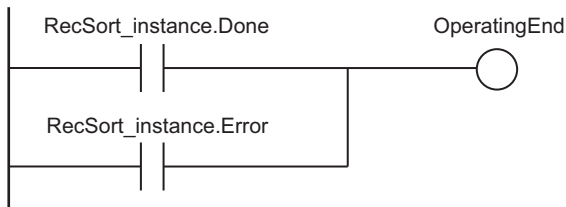
Internal Variables	Variable	Data type	Initial value	Retain	Comment
	Sorting	BOOL	FALSE	☑	Processing (retained)
	OperatingEnd	BOOL	FALSE	☐	Processing completed
	Trigger	BOOL	FALSE	☐	Execution condition
	Operating	BOOL	FALSE	☐	Processing
	RS_instance	RS		☐	
	RecSort_instance	RecSort		☐	

External Variables	Variable	Data type	Comment
	Abc	ARRAY[0..4] OF MyStr	Sort array
	Abc_backup	ARRAY[0..4] OF MyStr	Backup of Abc[]

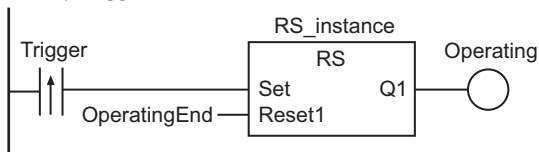
Restore **Abc\_backup[]** to **Abc[]** after power interruption.



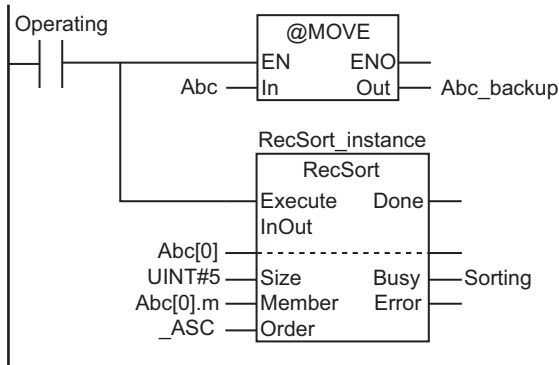
Determine if execution of the RecSort instruction is completed.



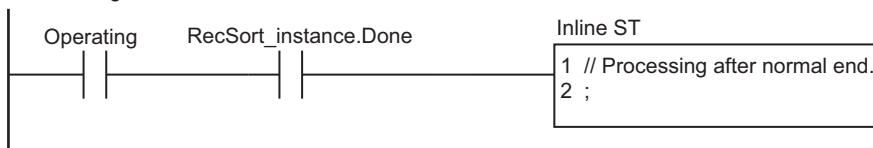
Accept trigger.



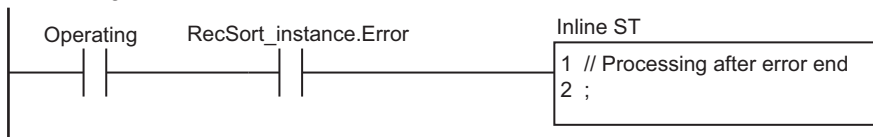
Make backup and execute RecSort instruction.



Processing after normal end.



Processing after error end



## ST

Internal Variables	Variable	Data type	Initial value	Retain	Comment
	Sorting	BOOL	FALSE	<input checked="" type="checkbox"/>	Processing (retained)
	Trigger	BOOL	FALSE	<input type="checkbox"/>	Execution condition
	LastTrigger	BOOL	FALSE	<input type="checkbox"/>	Value of <i>Trigger</i> from the previous task period
	OperatingStart	BOOL	FALSE	<input type="checkbox"/>	Processing started
	Operating	BOOL	FALSE	<input type="checkbox"/>	Processing
	RS_instance	RS		<input type="checkbox"/>	
	RecSort_instance	RecSort		<input type="checkbox"/>	

External Variables	Variable	Data type	Comment
	Abc	ARRAY[0..4] OF MyStr	Sort array
	Abc_backup	ARRAY[0..4] OF MyStr	Backup of Abc[]

```
// Restore Abc_backup[] to Abc[] after power interruption.
```

```
IF ( (P_First_RunMode = TRUE) AND (Sorting = TRUE) ) THEN
    Abc:=Abc_backup;
END_IF;

// Detect when Trigger changes to TRUE.
IF ( (Trigger=TRUE) AND (LastTrigger=FALSE) ) THEN
    OperatingStart:=TRUE;
    Operating :=TRUE;
END_IF;
LastTrigger:=Trigger;

// Initialize RecSort instruction.
IF (OperatingStart=TRUE) THEN
    Abc_backup:=Abc;
    RecSort_instance(
        Execute:=FALSE, // Execution condition
        InOut :=Abc[0], // Sort array
        Member :=Abc[0].m); // Member to sort
    OperatingStart:=FALSE;
END_IF;

// Execute RecSort instruction.
IF (Operating=TRUE) THEN
    RecSort_instance(
        Execute:=TRUE,
        InOut :=Abc[0],
        Size :=UINT#5,
        Member :=Abc[0].m,
        Order :=_ASC,
        Busy =>Sorting);

    IF (RecSort_instance.Done=TRUE) THEN
        // Processing after normal end.
        Operating:=FALSE;
    END_IF;

    IF (RecSort_instance.Error=TRUE) THEN
        // Processing after error end.
        Operating:=FALSE;
    END_IF;
END_IF;
```



# RecNum

The RecNum instruction finds the number of records in an array of structures to the end data.

Instruction	Name	FB/ FUN	Graphic expression	ST expression
RecNum	Get Number of Records	FUN	<pre> graph LR     subgraph RecNum_Box [(@)RecNum]         EN[EN]         In[In]         Member[Member]         EndDat[EndDat]     end     RecNum_Box --&gt; Out[Out]           </pre>	Out:=RecNum(In, Member, EndDat);

## Variables

	Meaning	I/O	Description	Valid range	Unit	Default
In[] (array)	Array to process	Input	Array of structures to process	---	---	*1
Member	Member to process		Member of In[] structure to process	Depends on data type.		
EndDat	End data		End data	Depends on data type.		
Out	Number of records	Output	Number of records	Depends on data type.	---	---

\*1. If you omit the input parameter, the default value is not applied. A building error will occur.

	Boo lean	Bit strings				Integers							Real num bers	Times, durations, dates, and text strings							
	BOOL	BYTE	WORD	DWORD	LWORD	USINT	UINT	UDINT	ULINT	SINT	INT	DINT	LINT	REAL	LREAL	TIME	DATE	TOD	DT	STRING	
In[] (array)	Specify an array of structures.																				
Member	OK	OK	OK	OK	OK	OK	OK	OK	OK	OK	OK	OK	OK	OK	OK	OK	*1	*1	*1	*1	OK
	Enumerations can also be specified.*2																				
	Must be the same data type as the members to process in In[].																				
EndDat	Must be the same data type as Member.																				
Out							OK														

\*1. You can specify TIME, DATE, TOD, and DT data with CPU Units with unit version 1.01 or later and Sysmac Studio version 1.02 or higher.

\*2. A CPU Unit with unit version 1.02 or later and Sysmac Studio version 1.03 or higher are required to specify enumerations.

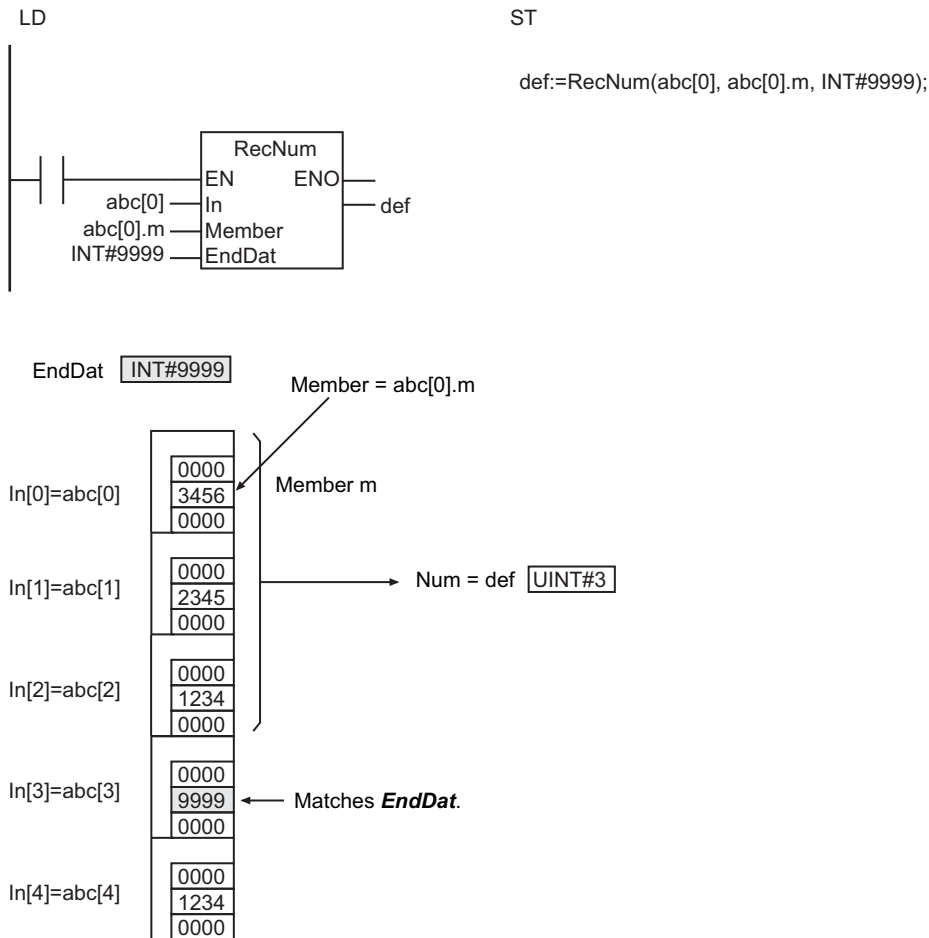
## Function

The RecNum instruction accesses a structure array In[] to search for an element whose value of *Member* (member to process) matches *EndDat* (end data). After that, the number of elements (records) before the element whose value matches *EndDat* (end data) is assigned to *Out*.

The member to process of an element in In[] is passed to *Member* as an argument.

Always attach the element number to input parameter that is passed to `In[]`, e.g., `array[3]`.

The following shows an example where *EndDat* is `INT#9999`.



### Additional Information

- `In[]` can be a member of a higher-level structure.  
Example: `In[0]=str0.str1[0]`
- When you search TIME, DT, or TOD data, adjust the accuracy of *Member* and *EndDat* to the same. You can use the following instructions for the adjustment: *TruncTime* on page 2-702, *TruncDt* on page 2-706, and *TruncTod* on page 2-710.

### Precautions for Correct Use

- Use an array that is the element of a structure for `In[]`. Otherwise, a building error will occur.
- The data types of *Member* and *EndDat* must be the same. If they are different, a building error will occur.
- If no member in `In[]` matches *EndDat*, the total number of elements in `In[]` is assigned to *Out*.
- If *Member* is a real number, the desired results may not be achieved due to error, depending on the value.
- If *EndDat* is a real number, do not specify nonnumeric data for *EndDat*.
- When an element in the array is passed to `In[]`, all elements below the passed element are processed.

- An error will occur in the following cases. *ENO* will be FALSE, and *Out* will not change.
  - a) *Member* is not a member of *In[]*.
  - b) *Member* is STRING data and it does not end with a NULL character.

# RecMax and RecMin

RecMax : Searches an array of structures for the maximum value of a specified member.

RecMin : Searches an array of structures for the minimum value of a specified member.

Instruction	Name	FB/ FUN	Graphic expression	ST expression
RecMax	Maximum Record Search	FUN		Out:=RecMax(In, Size, Member, In-OutPos, Num);
RecMin	Minimum Record Search	FUN		Out:=RecMin(In, Size, Member, In-OutPos, Num);

## Variables

	Meaning	I/O	Description	Valid range	Unit	Default
In[] (array)	Array to search	Input	Array of structures to search	---	---	*1
Size	Number of elements to search		Number of array elements to search	Depends on data type.		1
Member	Member to search		Member of In[] structure to search			*1
InOutPos[] (array)	Found element number	In-out	Found element number	Depends on data type.	---	---
Out	Search result	Output	Search result	Depends on data type.	---	---
Num	Number found		Number found			

\*1. If you omit the input parameter, the default value is not applied. A building error will occur.

	Boo lean	Bit strings				Integers								Real num- bers		Times, durations, dates, and text strings					
	BOOL	BYTE	WORD	DWORD	LWORD	USINT	UINT	UDINT	ULINT	SINT	INT	DINT	LINT	REAL	LREAL	TIME	DATE	TOD	DT	STRING	
In[] (array)	Specify an array of structures.																				
Size							OK														
Member						OK	OK	OK	OK	OK	OK	OK	OK	OK	OK	OK	*1	*1	*1	*1	*1
	Specify the same data type as the search member of In[]																				
InOutPos[] (array)						OK															

	Boo lean	Bit strings					Integers								Real num- bers		Times, durations, dates, and text strings				
	BOOL	BYTE	WORD	DWORD	LWORD	USINT	UINT	UDINT	ULINT	SINT	INT	DINT	LINT	REAL	LREAL	TIME	DATE	TOD	DT	STRING	
Out						OK	OK	OK	OK	OK	OK	OK	OK	OK	OK	OK *1	OK *1	OK *1	OK *1	OK *1	
Num							OK														

\*1. You can specify TIME, DATE, TOD, DT, and STRING data with CPU Units with unit version 1.01 or later and Sysmac Studio version 1.02 or higher.

## Function

These instructions search for the minimum or maximum value of *Member* (member to search) in *Size* elements, or from  $In[0]$  to  $In[Size-1]$ , of the  $In[]$  structure array.

One of the members in an element of  $In[]$  is passed to *Member* as an argument.

The element number of the element with the minimum or maximum value is assigned to  $InOutPos[0]$ , and the number of elements with the value is assigned to *Num*. If more than one element is found to have the value, the lowest element number of those with the value in the  $In[]$  array is assigned to  $InOutPos[0]$ .

Always attach the element number to input parameter that is passed to  $In[]$ , e.g.,  $array[3]$ .

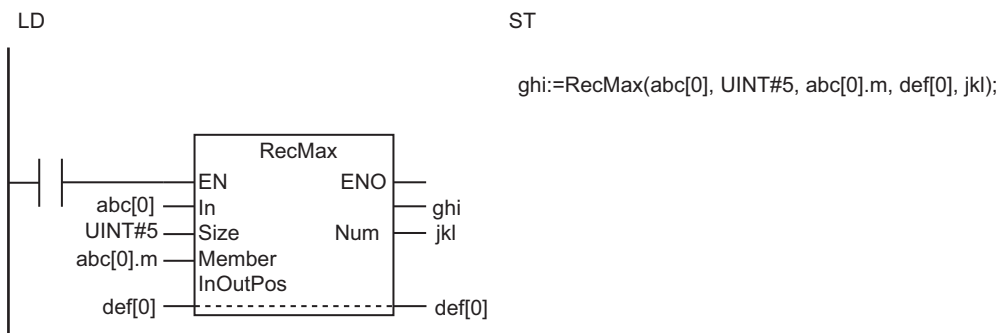
The relationship between values with data types that are not integers or real numbers are determined as given in the following table.

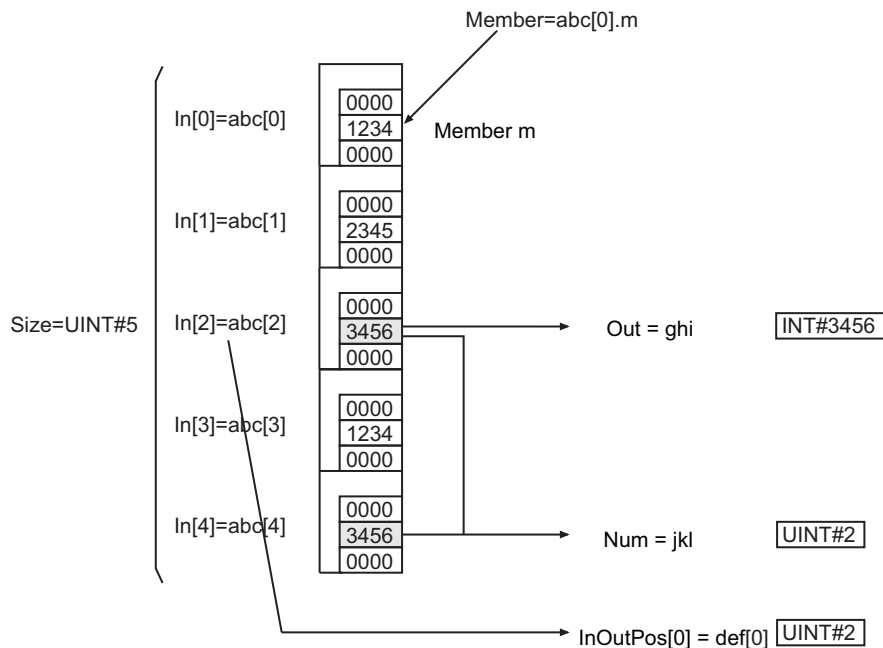
Data type	Relationship
TIME	The numerically larger value is considered to be larger.
DATE, TOD, or DT	Later dates or times of day are considered to be larger.
STRING	The specifications are the same as for the instructions, <i>LTascii</i> , <i>LEascii</i> , <i>GTascii</i> , and <i>GEascii</i> on page 2-115. Refer to the specified page for details.

## RecMax

The RecMax instruction searches for the maximum value. The maximum value of the member to search is assigned to *Out* (search result).

The following shows an example where *Size* is `UINT#5` for the RecMax instruction.





## RecMin

The RecMin instruction searches for the minimum value. The minimum value of the member to search is assigned to search result *Out*.

### Additional Information

- In[] can be a member of a higher-level structure.  
Example: In[0]=str0.str1[0]
- In[] can be an array with two or more dimensions. If In[] is a two-dimensional array, the element number in the first dimension of the element that matches the search conditions is assigned to InOutPos[0] and the element number in the second dimension is assigned to InOutPos[1].
- If In[] is a three-dimensional array, the element number in the first dimension of the element that matches the search conditions is assigned to InOutPos[0], the element number in the second dimension is assigned to InOutPos[1], and the element number in the third dimension is assigned to InOutPos[2].
- When you search TIME, DT, or TOD data, adjust the accuracy of the *Member* values to the same. You can use the following instructions for the adjustment: *TruncTime* on page 2-702, *TruncDt* on page 2-706, and *TruncTod* on page 2-710.

### Precautions for Correct Use

- If you use different data types for *Member* and *Out*, they should be among the following data types, and make sure that the valid range of *Out* accommodates the valid range of *Member*.  
a) USINT, UINT, UDINT, ULINT, SINT, INT, DINT, LINT, REAL, and LREAL
- If *Member* is a real number, the desired results may not be achieved due to error, depending on the value.
- When an element in the array is passed to In[], all elements below the passed element are processed.

- When *In* is an enumeration, always use a variable for the input parameter to pass to *In*. A building error will occur if a constant is passed.
- If the value of *Size* is 0, the values of *Out* and *Num* are 0. If *Member* is STRING data and the value of *Size* is 0, *Out* is a text string containing only NULL characters. The values in *InOutPos*[] do not change.
- An error will occur in the following cases. *ENO* will be FALSE, and *Out*, *InOutPos*[], and *Num* will not change.
  - a) The value of *Size* exceeds the array area of *In*[].
  - b) *Member* is not a member of *In*[].
  - c) The array size of *InOutPos*[] is smaller than the number of dimensions of *In*[].
  - d) *Member* is STRING data and it does not end with a NULL character.



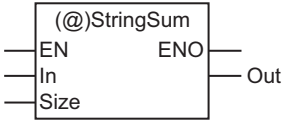


# FCS Instructions

Instruction	Name	Page
StringSum	Checksum Calculation	page 2-568
StringLRC	Calculate Text String LRC	page 2-570
StringCRCCCITT	Calculate Text String CRC-CCITT	page 2-572
StringCRC16	Calculate Text String CRC-16	page 2-574
AryLRC_**	Calculate Array LRC Group	page 2-576
AryCRCCCITT	Calculate Array CRC-CCITT	page 2-578
AryCRC16	Calculate Array CRC-16	page 2-580

# StringSum

The StringSum instruction calculates the checksum for a text string.

Instruction	Name	FB/ FUN	Graphic expression	ST expression
StringSum	Checksum Calculation	FUN		Out:=StringSum(In, Size);

## Variables

	Meaning	I/O	Description	Valid range	Unit	Default
In	Text string to process	Input	Text string to process	Depends on data type.	---	"
Size	Byte size		Byte size of checksum	1 or 2	Bytes	1
Out	Checksum	Output	Checksum	Number of bytes specified by Size	Bytes	---

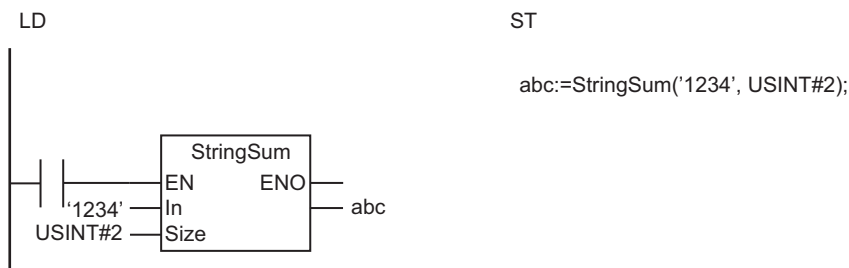
	Boo lean	Bit strings					Integer							Real numbers		Times, durations, dates, and text strings					
	BOOL	BYTE	WORD	DWORD	LWORD	USINT	UINT	UDINT	ULINT	SINT	INT	DINT	LINT	REAL	LREAL	TIME	DATE	TOD	DT	STRING	
In																					OK
Size						OK															
Out																					OK

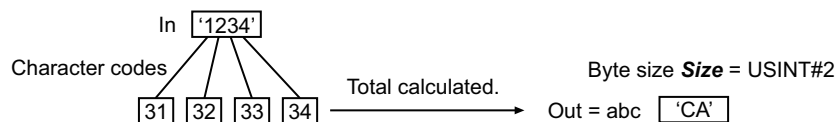
## Function

The StringSum instruction calculates the checksum of text string to process *In*. Checksum *Out* will be the number of bytes specified with byte size *Size*.

*Out* is given as a hexadecimal text string with a NULL character stored at the end.

In the following example, *In* is '1234' and *Size* is USINT#2.





If *Size* is USINT#1 in the above example, *Out* would be 'A'.

## Precautions for Correct Use

- If the sum of the character codes in *In* exceeds the number of digits of *Size*, the upper digits are discarded.
- An error will occur in the following cases. *ENO* will be FALSE, and *Out* will not change.
  - a) The value of *Size* is outside the valid range.
  - b) The number of bytes in *In* is 0 (i.e., the NULL character only).





## Precautions for Correct Use

An error will occur in the following case. *ENO* will be FALSE, and *Out* will not change.

- The number of bytes in *In* is 0 (i.e., the NULL character only).

# StringCRCCCITT

The StringCRCCCITT instruction calculates the CRC-CCITT value using the XMODEM method.

Instruction	Name	FB/ FUN	Graphic expression	ST expression
String- CRCCCITT	Calculate Text String CRC- CCITT	FUN		Out:=StringCRCCCITT(In, Initial, OutOrder);

## Variables

	Meaning	I/O	Description	Valid range	Unit	Default
In	Text string to process	Input	Text string to process	Depends on data type.	---	"
Initial	Initial value		Initial value of CRC-CCITT value			0
OutOrder	Byte order		Order to process bytes in <i>In</i>			_LOW_HIGH, _HIGH_LOW
Out	CRC-CCITT value	Output	CRC-CCITT value	5 bytes (four single-byte alphanumeric characters plus the final NULL character)	---	---

	Boo lean	Bit strings				Integer							Real num- bers		Times, durations, dates, and text strings					
	BOOL	BYTE	WORD	DWORD	LWORD	USINT	UINT	UDINT	ULINT	SINT	INT	DINT	LINT	REAL	LREAL	TIME	DATE	TOD	DT	STRING
In																				OK
Initial			OK																	
OutOrder	Refer to <i>Function</i> on page 2-572 for the enumerators of the enumerated type <code>_eBYTE_ORDER</code> .																			
Out																				OK

## Function

The StringCRCCCITT instruction calculates the CRC-CCITT value of text string to process *In* using the XMODEM method.

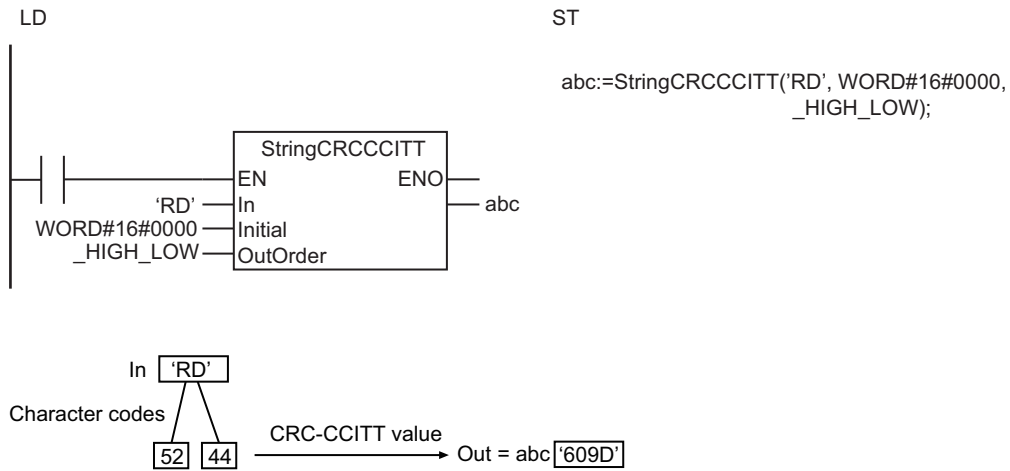
CRC-CCITT value *Out* is given as a hexadecimal text string with a NULL character stored at the end.

Set *Initial* to the initial value for CRC-CCITT value calculation. *OutOrder* specifies the byte order.

The data type of *OutOrder* is enumerated type `_eBYTE_ORDER`. The meanings of the enumerators are as follows:

Enumerators	Meaning
<code>_LOW_HIGH</code>	Lower byte first, upper byte last
<code>_HIGH_LOW</code>	Upper byte first, lower byte last

The following example is for when *In* is 'RD', *Initial* is WORD#16#0000, and *OutOrder* is `_HIGH_LOW`.



## Precautions for Correct Use

An error will occur in the following cases. *ENO* will be FALSE, and *Out* will not change.

- The value of *OutOrder* is outside the valid range.
- The number of bytes in *In* is 0 (i.e., the NULL character only).

# StringCRC16

The StringCRC16 instruction calculates the CRC-16 value using the MODBUS method.

Instruction	Name	FB/ FUN	Graphic expression	ST expression
StringCRC16	Calculate Text String CRC-16	FUN		Out:=StringCRC16(In, Initial, OutOrder);

## Variables

	Meaning	I/O	Description	Valid range	Unit	Default
In	Text string to process	Input	Text string to process	Depends on data type.	---	"
Initial	Initial value		Initial value of CRC-16 value			16#FFF F
OutOrder	Byte order		Order to process bytes in <i>In</i>			_LOW_HIGH, _HIGH_LOW
Out	CRC-16 value	Output	CRC-16 value	5 bytes (four single-byte alphanumeric characters plus the final NULL character)	---	---

	Boo lean	Bit strings				Integers							Real num- bers		Times, durations, dates, and text strings					
	BOOL	BYTE	WORD	DWORD	LWORD	USINT	UINT	UDINT	ULINT	SINT	INT	DINT	LINT	REAL	LREAL	TIME	DATE	TOD	DT	STRING
In																				OK
Initial			OK																	
OutOrder	Refer to <i>Function</i> on page 2-574 for the enumerators of the enumerated type <code>_eBYTE_ORDER</code> .																			
Out																				OK

## Function

The StringCRC16 instruction calculates the CRC-16 value of text string to process *In* using the MODBUS method.

CRC-16 value *Out* is given as a hexadecimal text string with a NULL character stored at the end.

Set *Initial* to the initial value for CRC-16 value calculation. *OutOrder* specifies the byte order.

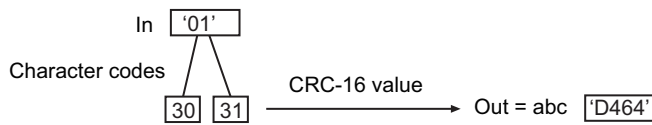
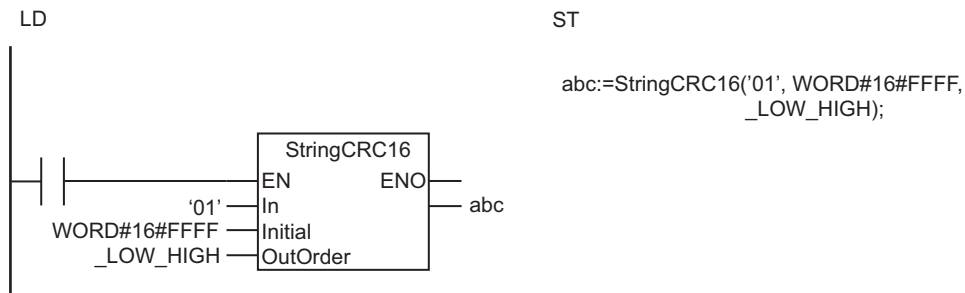
The data type of *OutOrder* is enumerated type `_eBYTE_ORDER`. The meanings of the enumerators are as follows:

Enumerators	Meaning
_LOW_HIGH	Lower byte first, upper byte last



Enumerators	Meaning
_HIGH_LOW	Upper byte first, lower byte last

The following example is for when *In* is '01', *Initial* is WORD#16#FFFF and *OutOrder* is \_LOW\_HIGH.



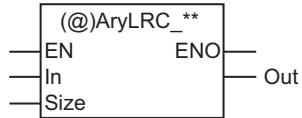
## Precautions for Correct Use

An error will occur in the following cases. *ENO* will be FALSE, and *Out* will not change.

- The value of *OutOrder* is outside the valid range.
- The number of bytes in *In* is 0 (i.e., the NULL character only).

# AryLRC\_\*\*

The AryLRC\_\*\* instructions calculates the LRC value of an array.

Instruction	Name	FB/ FUN	Graphic expression	ST expression
AryLRC_**	Calculate Array LRC Group	FUN	 <p>**** must be a bit string data type.</p>	Out:=AryLRC_**(In, Size); **** must be a bit string data type.

## jituVariables

	Meaning	I/O	Description	Valid range	Unit	Default
In[] (array)	Array to process	Input	Array to process	Depends on data type.	---	*1
Size	Number of elements to process		Number of In[] elements			1
Out	LRC value	Output	LRC value	Depends on data type.	---	---

\*1. If you omit the input parameter, the default value is not applied. A building error will occur.

	Boo lean	Bit strings				Integers							Real num- bers		Times, durations, dates, and text strings					
	BOOL	BYTE	WORD	DWORD	LWORD	USINT	UINT	UDINT	ULINT	SINT	INT	DINT	LINT	REAL	LREAL	TIME	DATE	TOD	DT	STRING
In[] (array)		OK	OK	OK	OK															
Size							OK													
Out	Must be same data type as In[]																			

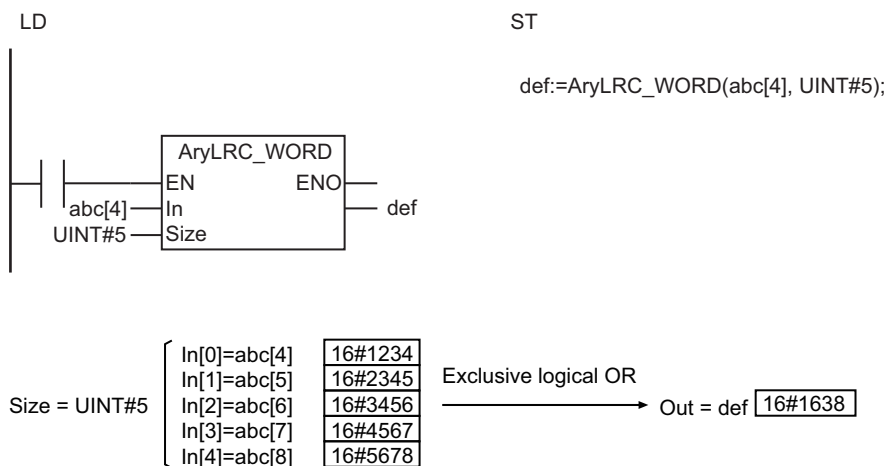
## Function

The AryLRC\_\*\* instructions calculate the LRC value (exclusive logical OR) of *Size* array elements of array to process In[] starting from In[0].

The name of the instruction is determined by the data type of In[]. For example, if In[] is the WORD data type, the instruction is AryLRC\_WORD.

Always attach the element number to in-out parameter that is passed to In[], e.g., array[3].

The following example shows the AryLRC\_WORD instruction when *Size* is UINT#5.



## Precautions for Correct Use

- Use the same data type for *In*[] and *Out*.
- If the value of *Size* is 0, the value of *Out* is 16#00.
- An error will occur in the following case. *ENO* will be FALSE, and *Out* will not change.
  - a) The value of *Size* exceeds the array area of *In*[].

# AryCRCCCITT

The AryCRCCCITT instruction calculates the CRC-CCITT value using the XMODEM method.

Instruction	Name	FB/ FUN	Graphic expression	ST expression
AryCRCC- CITT	Calculate Array CRC-CCITT	FUN		Out:=AryCRCCCITT(In, Size, Ini- tial, OutOrder);

## Variables

	Meaning	I/O	Description	Valid range	Unit	Default
In[] (array)	Array to process	Input	Array to process	Depends on da- ta type.	---	*1
Size	Number of elements to process		Number of In[] ele- ments			1
Initial	Initial value		Initial value of CRC- CCITT value			0
OutOrder	Byte order		Order to process bytes in <i>In</i>			_LOW_HIGH, _HIGH_LOW
Out	CRC-CCITT value	Output	CRC-CCITT value	Depends on da- ta type.	---	---

\*1. If you omit the input parameter, the default value is not applied. A building error will occur.

	Boo lean	Bit strings				Integers								Real num- bers		Times, durations, dates, and text strings				
	BOOL	BYTE	WORD	DWORD	LWORD	USINT	UINT	UDINT	ULINT	SINT	INT	DINT	LINT	REAL	LREAL	TIME	DATE	TOD	DT	STRING
In[] (array)		OK	OK	OK	OK	OK	OK	OK	OK	OK	OK	OK	OK	OK	OK	OK	OK	OK	OK	
Size							OK													
Initial			OK																	
OutOrder	Refer to <i>Function</i> on page 2-578 for the enumerators of the enumerated type <code>_eBYTE_ORDER</code> .																			
Out		OK																		

## Function

The AryCRCCCITT instruction calculates the CRC-CCITT value of *Size* elements of an array to process, *In*[], starting from *In*[0]. The XMODEM method is used.

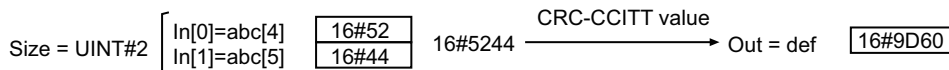
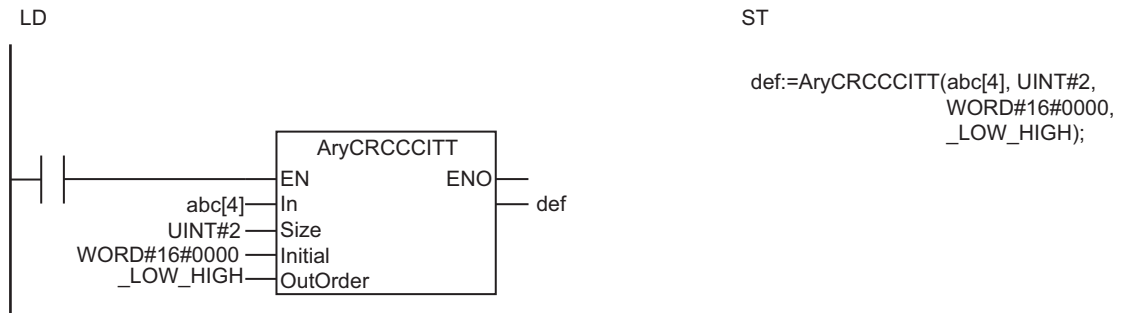
Set *Initial* to the initial value for CRC-CCITT value calculation. *OutOrder* specifies the byte order.

The data type of *OutOrder* is enumerated type `_eBYTE_ORDER`. The meaning of the enumerators are as follows:

Enumerators	Meaning
<code>_LOW_HIGH</code>	Lower byte first, upper byte last
<code>_HIGH_LOW</code>	Upper byte first, lower byte last

Always attach an element number to the in-out parameter that is passed to `In[]`, e.g., `array[3]`.

The following example is for when `Size` is `UINT#2`, `Initial` is `WORD#16#0000`, and `OutOrder` is `_LOW_HIGH`.



## Precautions for Correct Use

- If the value of `Size` is 0, the value of `Out` is `WORD#16#0`.
- An error will occur in the following cases. `ENO` will be `FALSE`, and `Out` will not change.
  - a) The value of `OutOrder` is outside the valid range.
  - b) The value of `Size` exceeds the array area of `In[]`.

# AryCRC16

The AryCRC16 instruction calculates the CRC-16 value using the MODBUS method.

Instruction	Name	FB/ FUN	Graphic expression	ST expression
AryCRC16	Calculate Array CRC-16	FUN		Out:=AryCRC16(In, Size, Initial, OutOrder);

## Variables

	Meaning	I/O	Description	Valid range	Unit	Default
In[] (array)	Array to process	Input	Array to process	Depends on data type.	---	*1
Size	Number of elements to process		Number of In[] elements			1
Initial	Initial value		Initial value of CRC-16 value			16#FFF F
OutOrder	Byte order		Order to process bytes in <i>In</i>			_LOW_HIGH, _HIGH_LOW
Out	CRC-16 value	Output	CRC-16 value	Depends on data type.	---	---

\*1. If you omit the input parameter, the default value is not applied. A building error will occur.

	Boo lean	Bit strings				Integers							Real num- bers		Times, durations, dates, and text strings					
	BOOL	BYTE	WORD	DWORD	LWORD	USINT	UINT	UDINT	ULINT	SINT	INT	DINT	LINT	REAL	LREAL	TIME	DATE	TOD	DT	STRING
In[] (array)		OK	OK	OK	OK	OK	OK	OK	OK	OK	OK	OK	OK	OK	OK	OK	OK	OK	OK	
Size							OK													
Initial			OK																	
OutOrder	Refer to <i>Function</i> on page 2-580 for the enumerators of the enumerated type <code>_eBYTE_ORDER</code> .																			
Out		OK																		

## Function

The AryCRC16 instruction calculates the CRC-16 value of *Size* array elements of an array to process, *In*[], starting from *In*[0]. The MODBUS method is used.

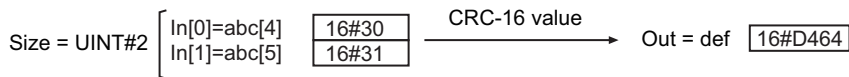
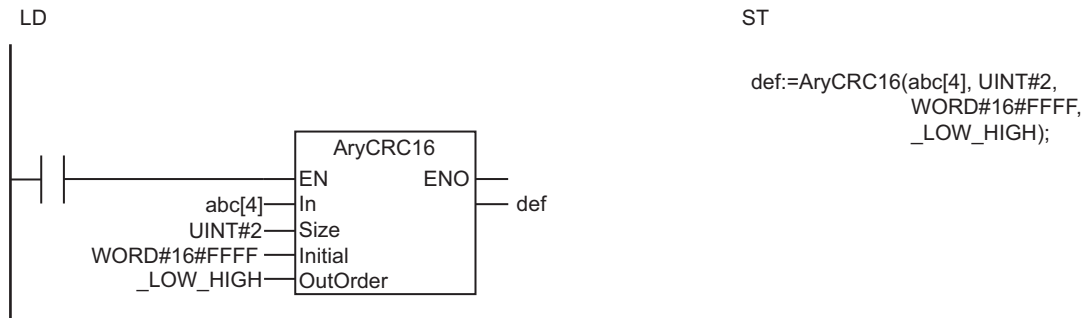
Set *Initial* to the initial value for CRC-16 value calculation. *OutOrder* specifies the byte order.

The data type of *OutOrder* is enumerated type `_eBYTE_ORDER`. The meanings of the enumerators are as follows:

Enumerator	Meaning
_LOW_HIGH	Lower byte first, upper byte last
_HIGH_LOW	Upper byte first, lower byte last

Always attach the element number to the input parameter that is passed to In[], e.g., array[3].

The following example is for when *Size* is UINT#2, *Initial* is WORD#16#FFFF and *OutOrder* is \_LOW\_HIGH.



## Precautions for Correct Use

- If the value of *Size* is 0, the value of *Out* is WORD#16#0.
- An error will occur in the following cases. *ENO* will be FALSE, and *Out* will not change.
  - a) The value of *OutOrder* is outside the valid range.
  - b) The value of *Size* exceeds the array area of In[].



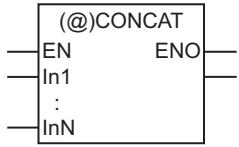


# Text String Instructions

Instruction	Name	Page
CONCAT	Concatenate String	page 2-584
LEFT and RIGHT	Get String Left/Get String Right	page 2-586
MID	Get String Any	page 2-589
FIND	Find String	page 2-591
LEN	String Length	page 2-593
REPLACE	Replace String	page 2-595
DELETE	Delete String	page 2-597
INSERT	Insert String	page 2-599
GetByteLen	Get Byte Length	page 2-601
ClearString	Clear String	page 2-603
ToUpperCase and ToLowerCase	Convert to Uppercase/Convert to Lowercase	page 2-605
TrimL and TrimR	Trim String Left/Trim String Right	page 2-607
AddDelimiter	Put Text Strings with Delimiters	page 2-609
SubDelimiter	Get Text Strings Minus Delimiters	page 2-621
StringMD5	Convert String to MD5	page 2-633

# CONCAT

The CONCAT instruction joins two to five text strings.

Instruction	Name	FB/ FUN	Graphic expression	ST expression
CONCAT	Concatenate String	FUN		Out:=CONCAT(In1,..., InN);

## Variables

	Meaning	I/O	Description	Valid range	Unit	Default
In1 to InN	Strings to join	Input	Text strings to join, where N is 2 to 5	Depends on data type.	---	" *1
Out	Result of joining	Output	Text string that resulted from joining	Depends on data type.	---	---

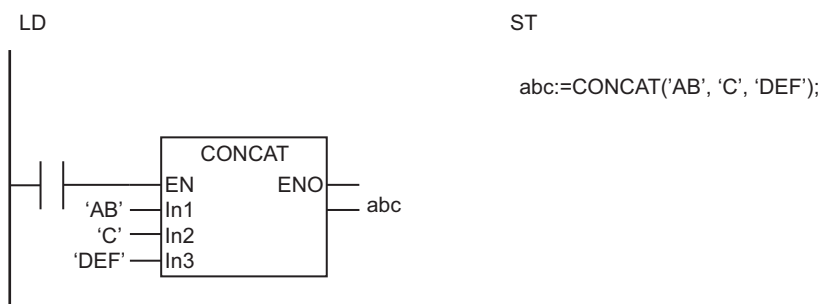
- \*1. If you omit the input parameter that connects to *InN*, the default value is not applied, and a building error will occur. For example, if N is 3 and the input parameters that connect to *In1* and *In2* are omitted, the default values are applied, but if the input parameter that connects to *In3* is omitted, a building error will occur.

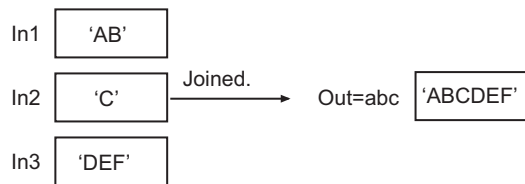
	Boo lean	Bit strings					Integers							Real numbers		Times, durations, dates, and text strings				
	BOOL	BYTE	WORD	DWORD	LWORD	USINT	UINT	UDINT	ULINT	SINT	INT	DINT	LINT	REAL	LREAL	TIME	DATE	TOD	DT	STRING
In1 to InN																				OK
Out																				OK

## Function

The CONCAT instruction joins 2 to 5 text strings in strings to join *In1* to *InN* in that order. It adds a NULL character to the end.

The following example is for when *In1* is 'AB', *In2* is 'C' and *In3* is 'DEF'. The value of variable *abc* will be 'ABCDEF'.





## Precautions for Correct Use

An error will occur in the following case. *ENO* will be FALSE, and *Out* will not change.

- The length of the joined character strings exceeds 1,986 bytes.

# LEFT and RIGHT

These instructions extract a substring with a specified number of characters from a text string.

LEFT : Extracts the characters from the start (left) of the text string.

RIGHT : Extracts the characters from the end (right) of the text string.

Instruction	Name	FB/ FUN	Graphic expression	ST expression
LEFT	Get String Left	FUN		Out:=LEFT(In, L);
RIGHT	Get String Right	FUN		Out:=RIGHT(In, L);

## Variables

	Meaning	I/O	Description	Valid range	Unit	Default
In	Source string	Input	Text string from which to extract characters	Depends on data type.	---	"
L	Number of characters		Number of characters to extract	0 to 1985		1
Out	Extraction result	Output	Extracted text string	Depends on data type.	---	---

	Boo lean	Bit strings				Integers							Real num- bers		Times, durations, dates, and text strings					
	BOOL	BYTE	WORD	DWORD	LWORD	USINT	UINT	UDINT	ULINT	SINT	INT	DINT	LINT	REAL	LREAL	TIME	DATE	TOD	DT	STRING
In																				OK
L							OK													
Out																				OK

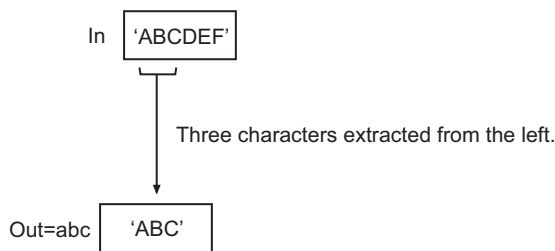
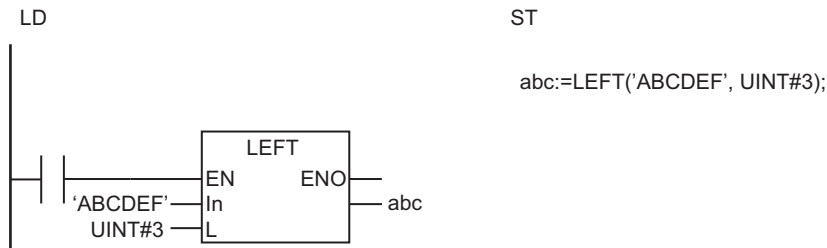
## Function

These instructions extract a text string with the number of characters specified by number of characters *L* from the source string *In*. A NULL character is placed at the end of the extraction result *Out*.

### LEFT

Extracts characters from the left (beginning) of *In*.

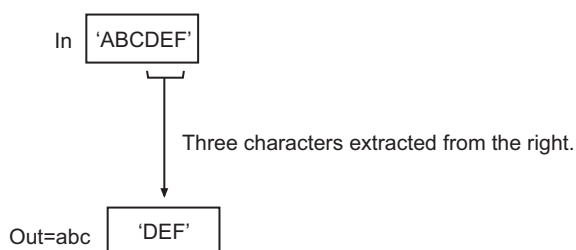
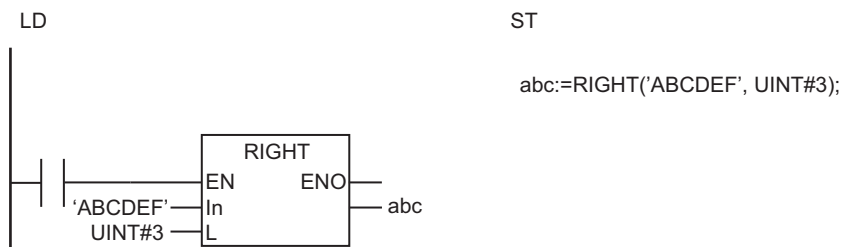
The following example is for when *In* is 'ABCDEF' and *L* is UINT#3. The value of variable *abc* will be 'ABC'.



## RIGHT

Extracts characters from the right (end) of *In*.

The following example is for when *In* is 'ABCDEF' and *L* is UINT#3. The value of variable *abc* will be 'DEF'.



## Precautions for Correct Use

- If the value of *L* is larger than the number of characters in *In* or it is within the valid range, an error does not occur and all of the characters in *In* are copied to *Out*.
- If the value of *L* is 0, an error does not occur and only the NULL character is assigned to *Out*.
- Multi-byte characters are counted as one character each.

- An error will occur in the following case. *ENO* will be FALSE, and *Out* will not change.
  - a) *In* results in a character code error.

# MID

The MID instruction extracts a substring with a specified number of characters from a specified position of a text string.

Instruction	Name	FB/ FUN	Graphic expression	ST expression
MID	Get String Any	FUN		Out:=MID(In, L, P);

## Variables

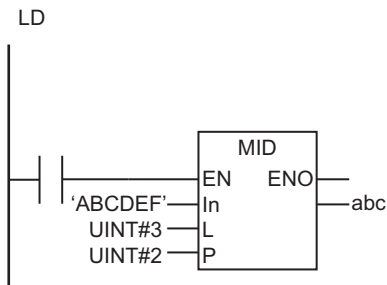
	Meaning	I/O	Description	Valid range	Unit	Default
In	Source string	Input	Text string from which to extract characters	Depends on data type.	---	"
L	Number of characters		Number of characters to extract	0 to 1985		1
P	First character		First character to extract	1 to 1985		---
Out	Extraction result	Output	Extracted text string	Depends on data type.	---	---

	Boo lean	Bit strings				Integers							Real numbers		Times, durations, dates, and text strings					
	BOOL	BYTE	WORD	DWORD	LWORD	USINT	UINT	UDINT	ULINT	SINT	INT	DINT	LINT	REAL	LREAL	TIME	DATE	TOD	DT	STRING
In																				OK
L							OK													
P							OK													
Out																				OK

## Function

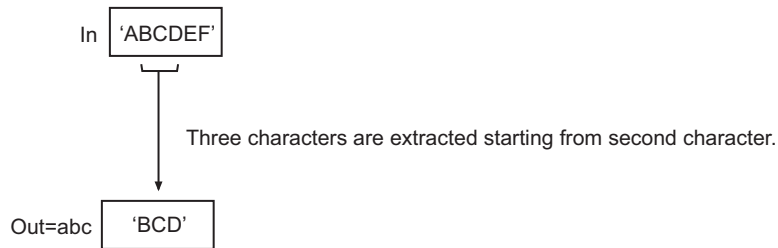
The MID instruction extracts the number of characters specified by number of characters *L* from the source string *In*. The first character to extract is specified by first character *P*. A NULL character is placed at the end of the extraction result *Out*.

The following example is for when *In* is 'ABCDEF', *L* is UINT#3, and *P* is UINT#2. The value of variable *abc* will be 'BCD'.



ST

```
abc:=MID('ABCDEF', UINT#3, UINT#2);
```



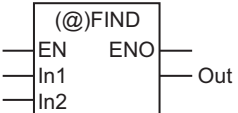
## Precautions for Correct Use

- If the value of *L* is 0, an error does not occur, and only the NULL character is assigned to *Out*.
- Multi-byte characters are counted as one character each.
- An error will occur in the following cases. *ENO* will be FALSE, and *Out* will not change.
  - a) *In* results in a character code error.
  - b) *In* does not have *L* characters after the position specified by *P*.
  - c) The value of *P* is 0.



# FIND

The FIND instruction searches for the position of a specified substring in a text string.

Instruction	Name	FB/ FUN	Graphic expression	ST expression
FIND	Find String	FUN		Out:=FIND(In1, In2);

## Variables

	Meaning	I/O	Description	Valid range	Unit	Default
In1	String to search	Input	Text string to search	Depends on data type.	---	"
In2	Search key		Text string to search for			
Out	Search result	Output	Search result	0 to 1985	---	---

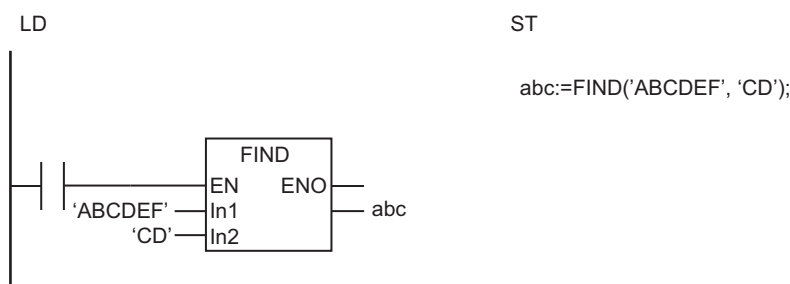
	Boo lean	Bit strings				Integers								Real numbers		Times, durations, dates, and text strings					
	BOOL	BYTE	WORD	DWORD	LWORD	USINT	UINT	UDINT	ULINT	SINT	INT	DINT	LINT	REAL	LREAL	TIME	DATE	TOD	DT	STRING	
In1																					OK
In2																					OK
Out							OK														

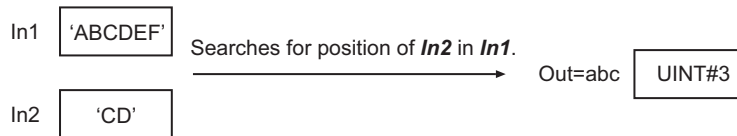
## Function

The FIND instruction searches for search key *In2* in string to search *In1*. The position of *In2* from the start of *In1* is assigned to search result *Out*.

If *In2* is not found in *In1*, *Out* is 0.

The following example is for when *In1* is 'ABCDEF' and *In2* is 'CD'. The value of variable *abc* will be `UINT#3`.





## Precautions for Correct Use

- Make sure that the number of characters in *In2* is less than the number of characters in *In1*. Otherwise, the value of *Out* will be 0.
- If *In1* contains more than one *In2*, the position of *In2* which is first found in the search from the beginning of *In1* is assigned to *Out*.
- If both *In1* and *In2* contain only NULL characters, the value of *Out* is 1.
- Multi-byte characters are counted as one character each.
- An error will occur in the following case. *ENO* will be FALSE, and *Out* will not change.
  - a) *In1* or *In2* results in a character code error.

# LEN

The LEN instruction finds the number of characters in a text string.

Instruction	Name	FB/ FUN	Graphic expression	ST expression
LEN	String Length	FUN		Out:=LEN(In);

## Variables

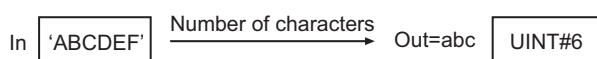
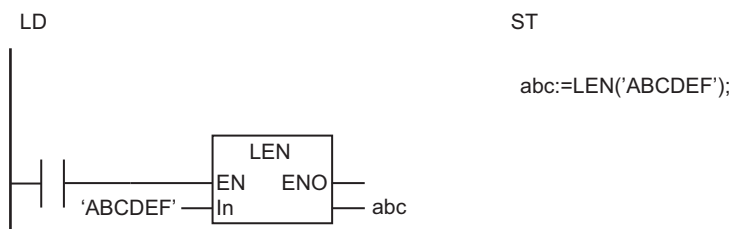
	Meaning	I/O	Description	Valid range	Unit	Default
In	Length string	Input	Text string to find length	Depends on data type.	---	"
Out	Find result	Output	Length detection result	0 to 1985	---	---

	Boolean	Bit strings					Integers							Real numbers		Times, durations, dates, and text strings					
	BOOL	BYTE	WORD	DWORD	LWORD	USINT	UINT	UDINT	ULINT	SINT	INT	DINT	LINT	REAL	LREAL	TIME	DATE	TOD	DT	STRING	
In																					OK
Out							OK														

## Function

The LEN instruction finds the number of characters in length string *In*. A NULL character at the end of *In* is not counted.

The following example is for when *In* is 'ABCDEF'. The value of variable *abc* will be UINT#6.



## Precautions for Correct Use

- Multi-byte characters are counted as one character each.
- An error will occur in the following case. *ENO* will be FALSE, and *Out* will not change.

- a) *In* results in a character code error.

# REPLACE

The REPLACE instruction replaces part of a text string with another text string.

Instruction	Name	FB/ FUN	Graphic expression	ST expression
REPLACE	Replace String	FUN		Out:=REPLACE(In1, In2, L, P);

## Variables

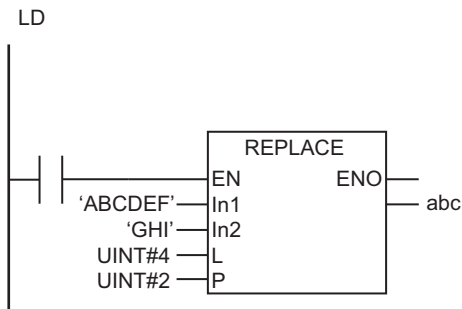
	Meaning	I/O	Description	Valid range	Unit	Default
In1	String for replacement	Input	Text string for replacement	Depends on data type.	---	"
In2	Insert string		Text string to insert			
L	Number of characters		Number of characters to delete	0 to 1985		
P	Replacement start position		Replacement start position	1 to 1985		
Out	Replacement result	Output	Text string after replacement	Depends on data type.	---	---

	Boo lean	Bit strings					Integers							Real numbers		Times, durations, dates, and text strings				
	BOOL	BYTE	WORD	DWORD	LWORD	USINT	UINT	UDINT	ULINT	SINT	INT	DINT	LINT	REAL	LREAL	TIME	DATE	TOD	DT	STRING
In1																				OK
In2																				OK
L							OK													
P							OK													
Out																				OK

## Function

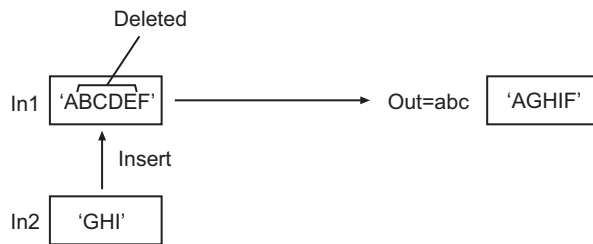
The REPLACE instruction replaces part of string for replacement *In1* with string to insert *In2*. First the number of characters specified by *L* from the position specified by *P* are deleted from *In1*. *In2* is then inserted for the deleted characters. A NULL character is placed at the end of replacement result *Out*.

The following example is for when *In1* is 'ABCDEF', *In2* is 'GHI', *P* is `UINT#2`, and *L* is `UINT#4`. The value of variable *abc* will be 'AGHIF'.



ST

```
abc:=REPLACE('ABCDEF', 'GHI', UINT#4, UINT#2);
```



## Precautions for Correct Use

- If *L* is 0, an error will not occur and all of the characters in *In1* are inserted to *Out*.
- If the value of *In2* is 0, *L* characters are deleted from *P* in *In1*.
- Multi-byte characters are counted as one character each.
- An error will occur in the following cases. *ENO* will be *FALSE*, and *Out* will not change.
  - a) *In1* results in a character code error.
  - b) *In1* does not have *L* characters after the position specified by *P*.
  - c) The value of *P* is 0.
  - d) The length of the character string after the replacement exceeds 1,986 bytes.

# DELETE

The DELETE instruction deletes all or part of a text string.

Instruction	Name	FB/ FUN	Graphic expression	ST expression
DELETE	Delete String	FUN		Out:=DELETE(In, L, P);

## Variables

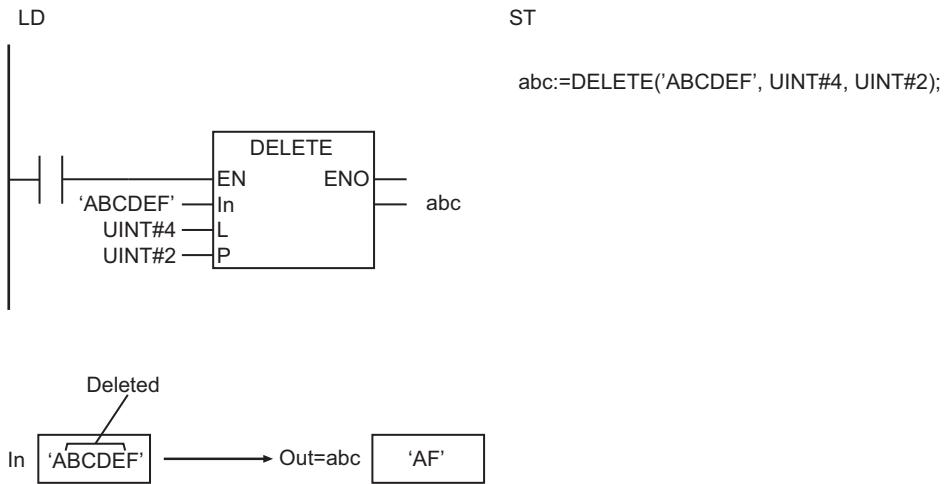
	Meaning	I/O	Description	Valid range	Unit	Default
In	String for deletion	Input	Text string for deletion	Depends on data type.	---	"
L	Number of characters		Number of characters to delete	0 to 1985		1
P	Deletion start position		Deletion start position	1 to 1985		
Out	Deletion result	Output	Text string after deletion	Depends on data type.	---	---

	Boo lean	Bit strings				Integers								Real num- bers		Times, durations, dates, and text strings				
	BOOL	BYTE	WORD	DWORD	LWORD	USINT	UINT	UDINT	ULINT	SINT	INT	DINT	LINT	REAL	LREAL	TIME	DATE	TOD	DT	STRING
In																				OK
L							OK													
P							OK													
Out																				OK

## Function

The DELETE instruction deletes the number of characters specified by *L* from the position specified by *P* from *In*. A NULL character is placed at the end of deletion result *Out*.

The following example is for when *In* is 'ABCDEF', *L* is UINT#4, and *P* is UINT#2. The value of variable *abc* will be 'AF'.



### Precautions for Correct Use

- If *L* is 0, an error will not occur, and all of the characters in *In* are inserted to *Out*.
- Multi-byte characters are counted as one character each.
- An error will occur in the following cases. *ENO* will be FALSE, and *Out* will not change.
  - a) *In* results in a character code error.
  - b) *In* does not have *L* characters after the position specified by *P*.
  - c) The value of *P* is 0.



# INSERT

The INSERT instruction inserts a text string into another text string.

Instruction	Name	FB/ FUN	Graphic expression	ST expression
INSERT	Insert String	FUN		Out:=INSERT(In1, In2, P);

## Variables

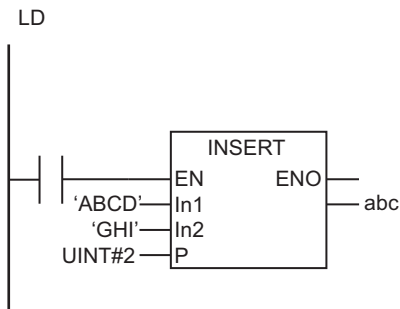
	Meaning	I/O	Description	Valid range	Unit	Default
In1	Original string	Input	Text string into which to insert string	Depends on data type.	---	"
In2	Insert string		Text string to insert			
P	Insertion start position		Insertion start position			
Out	Insertion result	Output	Text string after insertion	Depends on data type.	---	---

	Boo lean	Bit strings					Integers							Real num- bers		Times, durations, dates, and text strings				
	BOOL	BYTE	WORD	DWORD	LWORD	USINT	UINT	UDINT	ULINT	SINT	INT	DINT	LINT	REAL	LREAL	TIME	DATE	TOD	DT	STRING
In1																				OK
In2																				OK
P							OK													
Out																				OK

## Function

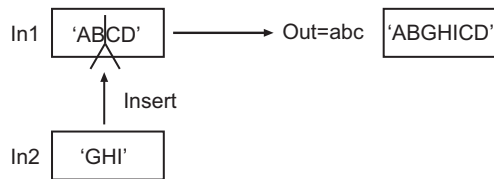
The INSERT instruction inserts insertion string *In2* into original string *In1* at insertion start position *P*. A NULL character is placed at the end of insertion result *Out*.

The following example is for when *In1* is 'ABCD', *In2* is 'GHI', and *P* is `UINT#2`. The value of variable *abc* will be 'ABGHICD'.



ST

```
abc:=INSERT('ABCD', 'GHI', UINT#2);
```



### Additional Information

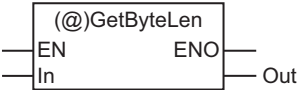
If  $P$  is 0,  $In1$  is inserted at the end of  $In2$ .

### Precautions for Correct Use

- Multi-byte characters are counted as one character each.
- An error will occur in the following cases.  $ENO$  will be FALSE, and  $Out$  will not change.
  - a)  $In1$  results in a character code error.
  - b) The value of  $P$  is greater than the number of characters in  $In1$ .
  - c) The length of the character string after the insertion exceeds 1,986 bytes.

# GetByteLen

The GetByteLen instruction counts the number of bytes in a text string.

Instruction	Name	FB/ FUN	Graphic expression	ST expression
GetByteLen	Get Byte Length	FUN		Out:=GetByteLen(In);

## Variables

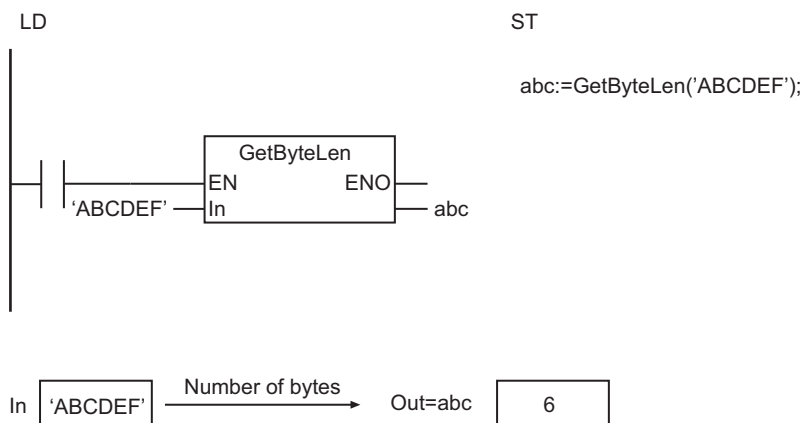
	Meaning	I/O	Description	Valid range	Unit	Default
In	Count string	Input	Text string to count number of bytes	Depends on data type.	---	"
Out	Number of bytes	Output	Number of bytes	0 to 1985	Bytes	---

	Boo lean	Bit strings					Integers							Real numbers		Times, durations, dates, and text strings				
	BOOL	BYTE	WORD	DWORD	LWORD	USINT	UINT	UDINT	ULINT	SINT	INT	DINT	LINT	REAL	LREAL	TIME	DATE	TOD	DT	STRING
In																				OK
Out							OK													

## Function

The GetByteLen instruction counts the number of bytes in count string *In*. A NULL character at the end of the text string is not counted.

The following example is for when *In* is 'ABCDEF'. The value of variable *abc* will be 6.



### Additional Information

If *ln* contains only ASCII characters, the result will be the same as the result of the LEN instruction.

# ClearString

The ClearString instruction clears a text string.

Instruction	Name	FB/ FUN	Graphic expression	ST expression
ClearString	Clear String	FUN		ClearString(InOut);

## Variables

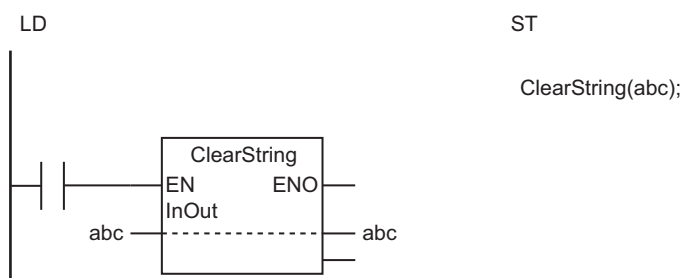
	Meaning	I/O	Description	Valid range	Unit	Default
InOut	Clear string	In-out	Text string to clear	Depends on data type.	---	---
Out	Return value	Output	Always TRUE	TRUE only	---	---

	Boo lean	Bit strings					Integers								Real num- bers		Times, durations, dates, and text strings					
	BOOL	BYTE	WORD	DWORD	LWORD	USINT	UINT	UDINT	ULINT	SINT	INT	DINT	LINT	REAL	LREAL	TIME	DATE	TOD	DT	STRING		
InOut																				OK		
Out	OK																					

## Function

The ClearString instruction clears clear string *InOut*. NULL characters are stored in the entire range of *InOut*.

The following figure shows a programming example. The content of a STRING variable, *abc* will be all NULL characters.



The ClearString instruction stores NULL characters in the entire range of *InOut*.

The following shows an example where *abc* is a 5-character STRING variable.

The ClearString instruction stores NULL characters in the entire range of *InOut*.

The following example is for when **abc** is a 5-character STRING variable.

InOut=abc    

NULL	NULL	NULL	NULL	NULL
------	------	------	------	------

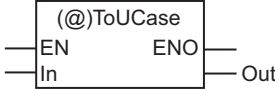
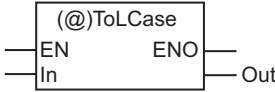
### Precautions for Correct Use

Return value *Out* is not used when the instruction is used in ST.

# ToUCase and ToLCase

ToUCase : Converts all single-byte letters in a text string to uppercase.

ToLCase : Converts all single-byte letters in a text string to lowercase.

Instruction	Name	FB/ FUN	Graphic expression	ST expression
ToUCase	Convert to Up- percase	FUN		Out:=ToUCase(In);
ToLCase	Convert to Low- ercase	FUN		Out:=ToLCase(In);

## Variables

	Meaning	I/O	Description	Valid range	Unit	Default
In	Data to convert	Input	Text string to convert	Depends on data type.	---	"
Out	Conversion result	Output	Converted text string	Depends on data type.	---	---

	Boo lean	Bit strings					Integers							Real numbers		Times, durations, dates, and text strings				
	BOOL	BYTE	WORD	DWORD	LWORD	USINT	UINT	UDINT	ULINT	SINT	INT	DINT	LINT	REAL	LREAL	TIME	DATE	TOD	DT	STRING
In																				OK
Out																				OK

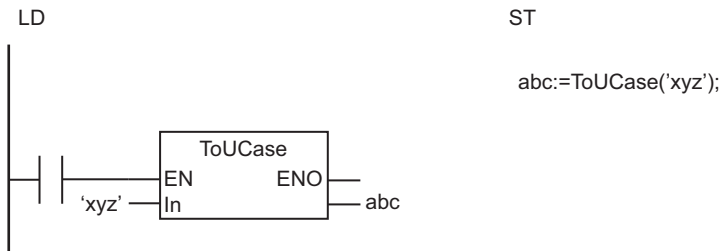
## Function

### ToUCase

The ToUCase instruction converts all single-byte letters in data to convert *In* to uppercase.

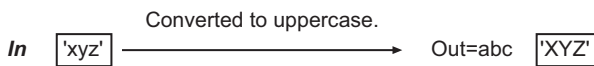
This instruction outputs a NULL character at the end of the text string. Only single-byte characters are changed.

The following example for the ToUCase instruction is for when *In* is 'xyz'. The value of variable *abc* will be 'XYZ'.



The ToUCase instruction converts all single-byte letters in *In* to uppercase.

The ToUCase instruction converts all single-byte letters in *In* to uppercase.



### ToLCase

The ToLCase instruction converts all single-byte letters in *In* to lowercase.

This instruction outputs a NULL character at the end of the text string. Only single-byte characters are changed.

### Precautions for Correct Use

- Two-byte letters are not converted.
- An error will occur in the following case. *ENO* will be FALSE, and *Out* will not change.
  - a) *In* results in a character code error.



# TrimL and TrimR

TrimL : Removes blank space from the beginning of a text string.

TrimR : Removes blank space from the end of a text string.

Instruction	Name	FB/ FUN	Graphic expression	ST expression
TrimL	Trim String Left	FUN		Out:=TrimL(In);
TrimR	Trim String Right	FUN		Out:=TrimR(In);

## Variables

	Meaning	I/O	Description	Valid range	Unit	Default
In	String to trim	Input	Text string to trim	Depends on data type.	---	"
Out	Trimming result	Output	Text string after trimming	Depends on data type.	---	---

	Boo lean	Bit strings					Integers							Real num bers		Times, durations, dates, and text strings				
	BOOL	BYTE	WORD	DWORD	LWORD	USINT	UINT	UDINT	ULINT	SINT	INT	DINT	LINT	REAL	LREAL	TIME	DATE	TOD	DT	STRING
In																				OK
Out																				OK

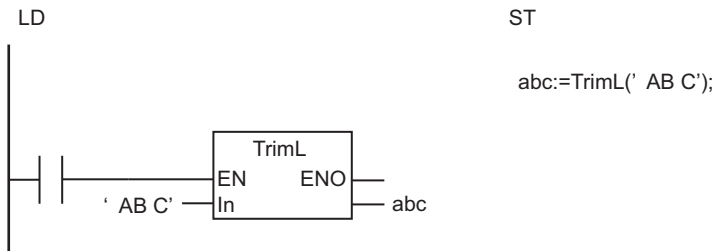
## Function

### TrimL

The TrimL instruction deletes blank characters from the beginning of string to trim *In*. If there are no blank characters at the beginning of the text string, nothing is done.

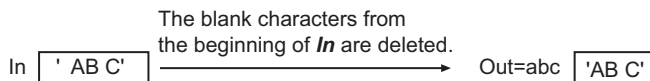
This instruction outputs a NULL character at the end of the text string. Both ASCII spaces (16#20) and two-byte Japanese spaces (16#E38080) are treated as blank characters.

The following example for the TrimL instruction is for when *In* is ' AB C'. The value of variable *abc* will be 'AB C'.



The TrimL instruction deletes blank characters from the beginning of *In*.

The TrimL instruction deletes blank characters from the beginning of *In*.



## TrimR

The TrimR instruction deletes blank characters from the end of string to trim *In*.

If there are no blank characters at the end of the text string, nothing is done.

This instruction outputs a NULL character at the end of the text string. Both ASCII spaces (16#20) and two-byte Japanese spaces (16#E38080) are treated as blank characters.

## Precautions for Correct Use

An error will occur in the following case. *ENO* will be FALSE, and *Out* will not change.

- *In* results in a character code error.

# AddDelimiter

The AddDelimiter instruction converts the values of all the members in a structure into a text string with delimiters.

Instruction	Name	FB/ FUN	Graphic expression	ST expression
AddDelimiter	Put Text Strings with Delimiters	FUN		Out:=AddDelimiter(In, Delimiter);



## Version Information

A CPU Unit with unit version 1.02 or later and Sysmac Studio version 1.03 or higher are required to use this instruction.

## Variables

	Meaning	I/O	Description	Valid range	Unit	Default
In	Input structure	Input	Structure to convert to text strings	Depends on data type of members.	---	*1
Delimiter	Delimiter		Delimiter	_COMMA, _TAB, _SEMI-COLON, _SPACE	---	_COMMA
Out	Return value	Output	Text strings with delimiters	1,986 bytes max. (1,985 single-byte alphanumeric characters plus the final NULL character)	---	---

\*1. If you omit the input parameter, the default value is not applied. A building error will occur.

	Boo lean	Bit strings				Integers							Real num- bers		Times, durations, dates, and text strings						
	BOOL	BYTE	WORD	DWORD	LWORD	USINT	UINT	UDINT	ULINT	SINT	INT	DINT	LINT	REAL	LREAL	TIME	DATE	TOD	DT	STRING	
In																					
Delimiter																					Refer to <i>Function</i> on page 2-610 for the enumerators for the enumerated data type _eDELIMITER.
Out																					OK

## Function

The AddDelimiter instruction converts each member of input structure *In* into a text string in order from the beginning, and then concatenates the strings with delimiter *Delimiter*. The concatenated text string is output to return value *Out*. A NULL character is placed at the end of *Out*.

The data type of *Delimiter* is enumerated type `_eDELIMITER`. The meanings of the enumerators are as follows:

Enumerator	Meaning
<code>_COMMA</code>	';' (comma)
<code>_TAB</code>	'\$T' (tab)
<code>_SEMICOLON</code>	',' (semicolon)
<code>_SPACE</code>	' ' (blank character)

The values of the members of *In* are converted according to their data types.

### ● Boolean Data

FALSE is converted to '0' and TRUE is converted to '1'.

### ● Bit String Data

Bits strings are treated as hexadecimal numbers and converted to text strings that express them as alphanumeric characters. The `16#` prefix of the hexadecimal number is not output to the text string. If the value of the member requires fewer digits than are provided by the data type of the member, the upper digits will contain '0'. In other words, the unused digits are padded with zeros.

The number of characters in the text string depends on the data type as shown in the following table.

Data type of member	Number of characters
BYTE	2 single-byte alphanumeric characters
WORD	4 single-byte alphanumeric characters
DWORD	8 single-byte alphanumeric characters
LWORD	16 single-byte alphanumeric characters

Examples are given below.

Value of member	Converted text string
BYTE#16#AB	'AB'
LWORD#16#0123	'0000000000000123'

### ● Integer Data

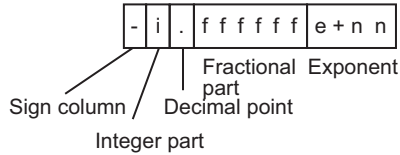
The value of the integer is converted to a text string. Upper digits that are 0 are not output to the text string. If the value of the member is negative, a minus sign (-) is added to the front of the text string.

Examples are given below.

Value of member	Converted text string
UINT#0012	'12'
LINT#-12	'-12'

### ● Real Number Data

The structure of the text string to which the value of the member is converted is shown below.



Item	Description
Sign column	If the value of the member is negative, a minus sign (-) is added. If the value of the member is positive, a plus sign (+) is not added.
Integer part	The integer part is always only one digit.
Decimal point	The decimal point is always given even if the value of the member is not a decimal number.
Fractional part	If the member is REAL data, 6 digits are given. If the member is LREAL data, 14 digits are given.
Exponent	The exponent is always given. 'e' indicates the exponent "e". 'nn' is 2 or 3 digits. The sign of 'nn' is positive (+) if the absolute value of the member is 1.0 or higher and negative (-) if it is less than 1.0. If the value of the member is 0, this portion is positive (+).

If the value of the member is infinity, or nonnumeric data, the text string will be as shown below.

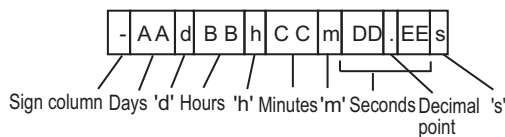
Value of member	Text string
+ ∞	'inf'
-∞	'-inf'
Nonnumeric data	'nan' or '-nan'

Examples are given below.

Value of member	Converted text string
REAL#3.14e1	'3.140000e+01'
REAL#-123.4567	'-1.234567e+02'
REAL#0	'0.000000e+00'
LREAL#0.00123456789	'1.234567890000000e-03'
LREAL#1.0e308	'1.000000000000000e+308'

● Duration Data

The structure of the text string to which the value of the member is converted is shown below.



Item	Description
Sign column	If the value of the member is negative, a minus sign (-) is added. If the value of the member is positive, a plus sign (+) is not added.
Days	The number of days is always given. The range of the value is 0 to 106751. Upper digits are not padded with 0.
Hours	The number of hours is always given in two digits. The range of the value is 00 to 23.

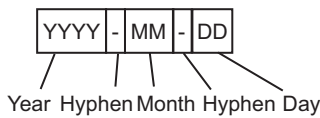
Item	Description
Minutes	The number of minutes is always given in two digits. The range of the value is 00 to 59.
Seconds	The number of seconds is always given. The value of 'DD' is always given in two digits between 00 and 59. The value of 'EE' is always given in two digits between 000000000 and 999999999.
'd', 'h', 'm', 's', and the decimal point	These are always given.

Examples are given below.

Value of member	Converted text string
T#-180122000ms	'-2d02h02m02.000000000s'
T#100d2h3m5.678s	'100d02h03m05.678000000s'
T#2h3m5.678s	'0d02h03m05.678000000s'

● **Date Data**

The structure of the text string to which the value of the member is converted is shown below.

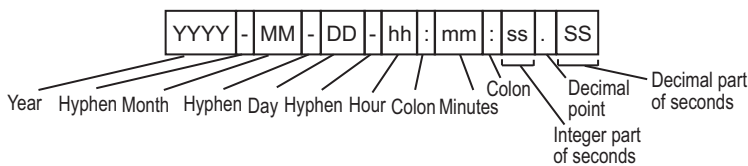


The month and day are converted to two digits each and output to the text string.  
An example is shown below.

Value of member	Converted text string
D#2010-1-2	'2010-01-02'

● **Date and Time Data**

The structure of the text string to which the value of the member is converted is shown below.

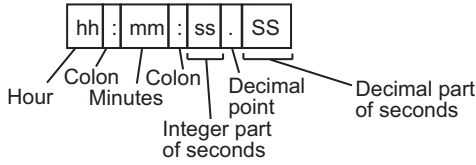


The month (MM), day (DD), hour (hh), minutes (mm), and integer part of the seconds (ss) are converted to two digits each and output to the text string. The fractional part of the seconds (ss) is converted to nine digits and output to the text string.  
An example is shown below.

Value of member	Converted text string
DT#2004-09-23-12:16:8.12	'2004-09-23-12:16:08.120000000'

● **Time of Day Data**

The structure of the text string to which the value of the member is converted is shown below.



The hour (hh), minutes (mm), and integer part of the seconds (ss) are converted to two digits each and output to the text string. The fractional part of the seconds (ss) is converted to nine digits and output to the text string.

An example is shown below.

Value of member	Converted text string
TOD#2:16:28.12	'02:16:28.120000000'

● **Text String Data**

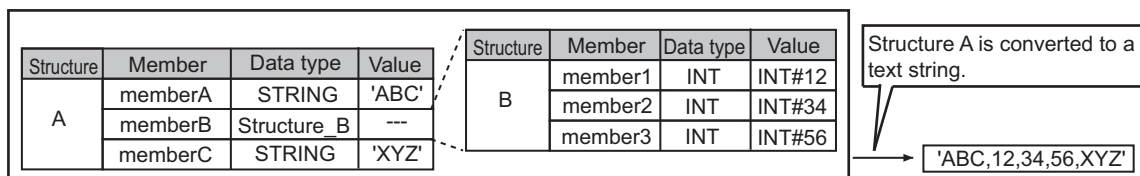
The text string is output without any changes. The NULL character at the end of the text string is not included.

For example, if the value of the member is 'ABC' and includes a NULL character at the end, 'ABC' without the NULL character is output to the text string.

● **Structure Data**

The values of the members are converted in order from the start of the structure down to the nesting levels that are not structures. The values of the members are converted to text strings according to the rules for their data types.

For example, if a member of structure A has a data type of Structure\_B, the conversion works as shown below. Commas are used as delimiters in this example.



● **Enumeration Data**

The value of the enumeration is treated as DINT data and converted accordingly.

For example, assume that an enumeration *Color* has three enumerators: *red*, *yellow*, and *green*. The numbers associated with these enumerators are as follows: *red* = 1, *yellow* = 2, *green* = 3. If the value of a member of enumeration *Color* is *yellow*, the text string will be '2'.

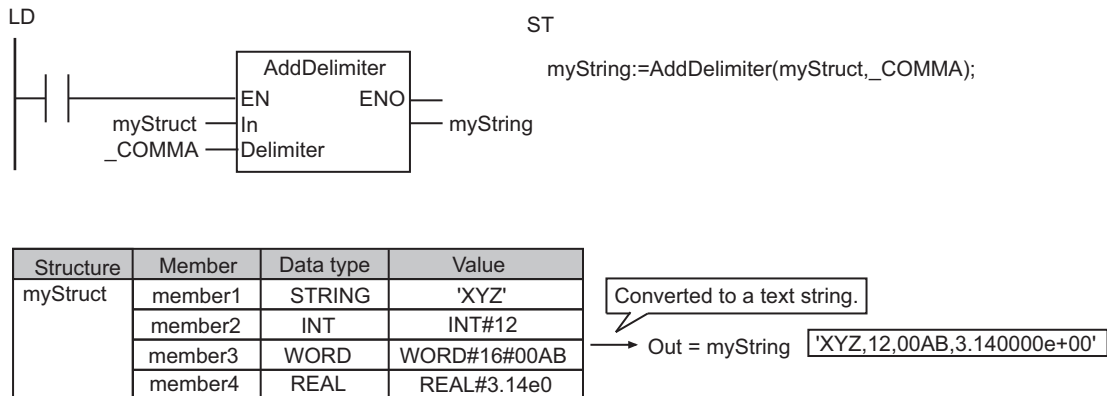
● **Array Data**

The text strings for the elements of the array are separated with the delimiter. The value of each element is converted according to the conversion rules for the data type of the array. Only one-dimensional arrays are converted.

For example, take the INT array myArray[0..2]. If the value of myArray[0] is INT#225, the value of myArray[1] is INT#-128, the value of myArray[2] is INT#0, and the delimiter is a comma, the text string would be as follows: '225,-128,0'.

## Notation Example

The following example shows how the *myStruct* structure is converted to the *myString* text string. The ',' (comma) is used as the delimiter.



## Additional Information

- You can combine this instruction with the instruction, *FilePuts* on page 2-1536, to easily write values to specified CSV files in an SD Memory Card. Refer to *Sample Programming* on page 2-614 for an application example.
- You can use the instruction, *SubDelimiter* on page 2-621, to read text strings that were converted with the *AddDelimiter* instruction and output them as the values of the members of a structure.

## Precautions for Correct Use

- Do not include a delimiter in the value of a member of *In*. If a delimiter is included in the value of a member of *In*, the *SubDelimiter* instruction will not correctly convert the text string to the members of the structure.
- An error will occur in the following cases. *ENO* will be FALSE, and *Out* will not change.
  - The size of the resulting text string exceeds 1,986 bytes, including the final NULL character.
  - A member of *In* is an array with more than one dimension.
  - A member of *In* is a union.

## Sample Programming

The *myStruct* structure has ten members that are SINT variables.

Here, the contents of *myArray*[0..99], which is an array of structure type *myStruct*, are stored in 100 lines of a file named 'ABC.csv' in CSV file format in the SD Memory Card.

Each line contains the values of the members of an array element converted to 10 text strings. Commas are inserted between them. A CR+LF code is added to the end of each line.

The processing procedure is as follows:

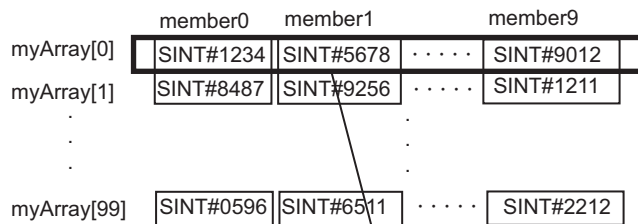
- The *FileOpen* instruction is used to open the file 'ABC.csv.'



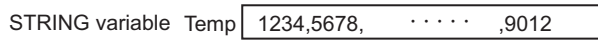
- 2 The AddDelimiter instruction is used to convert an element of myArray[] for one line and output the results to the Temp STRING variable.
- 3 The CONCAT instruction is used to concatenate Temp and CR+LF and then store the results in the StrDat STRING variable.
- 4 StrDat is written to the file.
- 5 Steps 2 to 4 are repeated for 100 lines.
- 6 The FileClose instruction is used to close the file.

Structure	Member	Data type
myStruct	member0	SINT
	member1	SINT
	...	
	member9	SINT

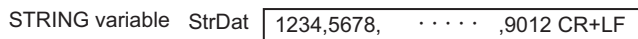
Array **myArray[0..99]** of structure type myStruct



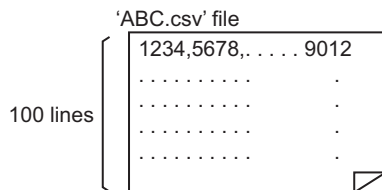
Converted to STRING data one line at a time.



CR+LF added to the end.



Results written to the file.



## Data Type Definition

Name	Data type	Comment
myStruct	STRUCT	Structure
member0	SINT	Member
member1	SINT	Member
member2	SINT	Member
member3	SINT	Member
member4	SINT	Member
member5	SINT	Member
member6	SINT	Member

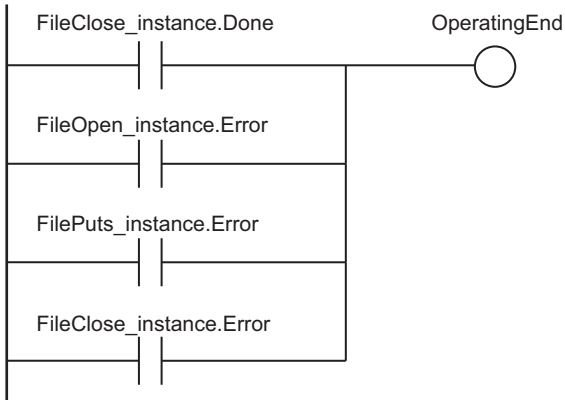
Name	Data type	Comment
member7	SINT	Member
member8	SINT	Member
member9	SINT	Member

## LD

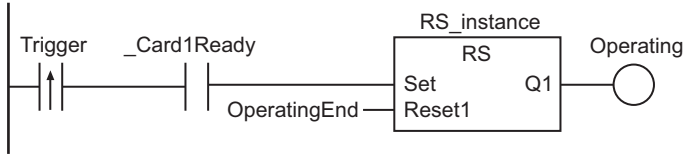
Internal variables	Variable	Data type	Initial value	Comment
	OperatingEnd	BOOL	False	Processing completed
	Trigger	BOOL	False	Execution condition
	Operating	BOOL	False	Processing
	Index	INT	0	Index
	Fid	DWORD	16#0	File ID
	StrDat	STRING[256]	"	Text string data
	myArray	ARRAY[0..99] OF myStruct	[100((member0:=0,member1:=0,member2:=0,member3:=0,member4:=0,member5:=0,member6:=0,member7:=0,member8:=0,member9:=0))]	Numeric data
	Temp	STRING[256]	"	Temporary data
	RS_instance	RS		
	FileOpen_instance	FileOpen		
	FilePuts_instance	FilePuts		
	FileClose_instance	FileClose		

External variables	Variable	Data type	Comment
	_Card1Ready	BOOL	SD Memory Card Ready Flag

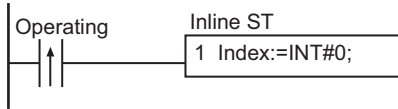
Determine if SD Memory Card instruction execution is completed.



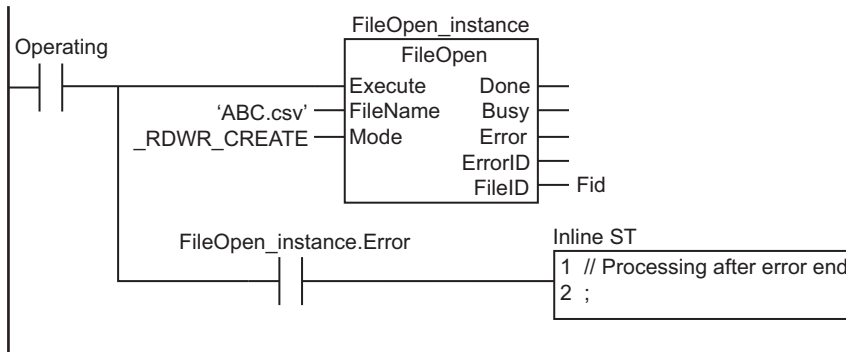
Accept trigger.



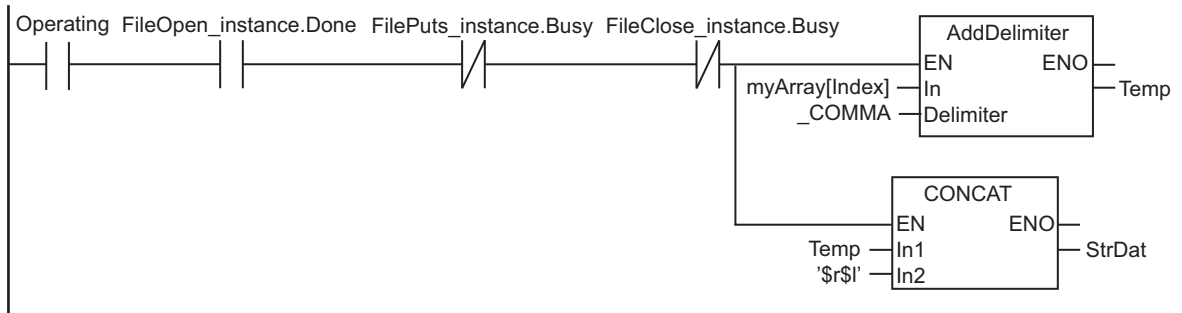
Initialize row index.



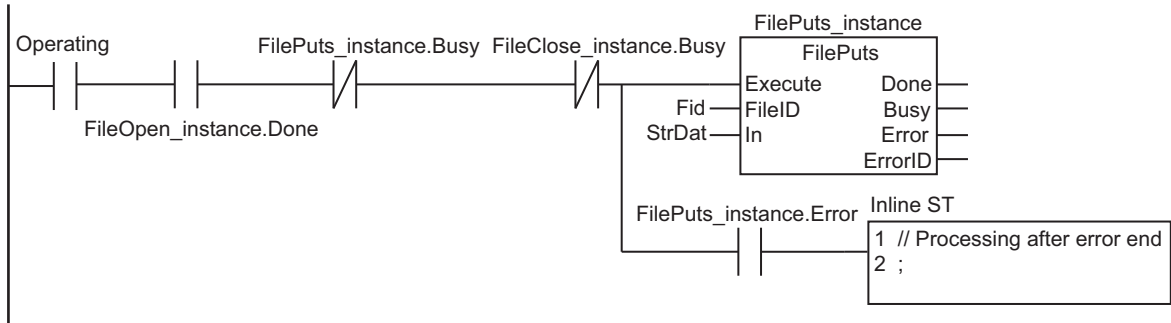
Execute FileOpen instruction.



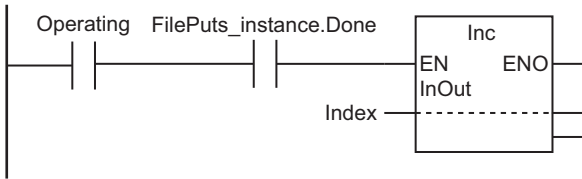
Create a text string for one line.



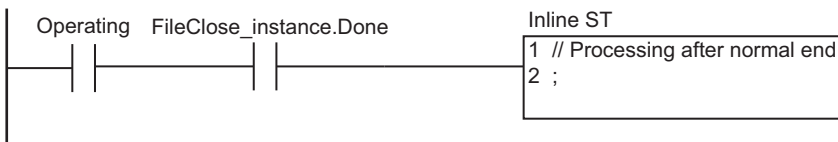
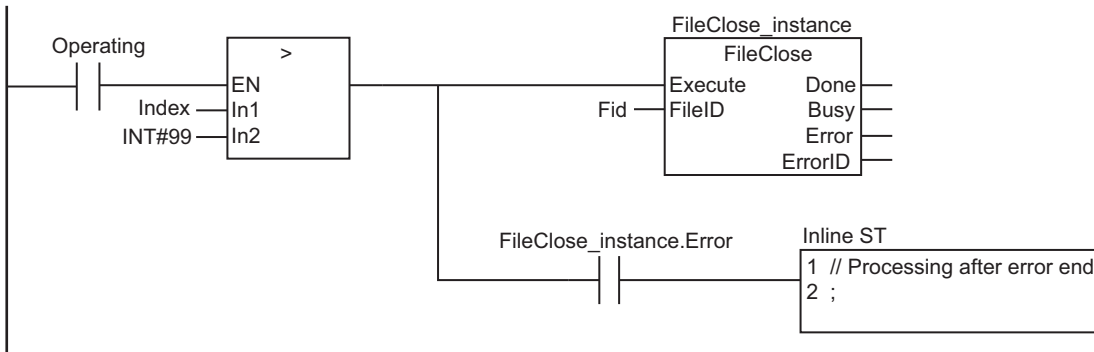
Write a text string for one line to the file.



Increment the line index.



Execute the FileClose instruction after 100 lines are written.



## ST

Internal variables	Variable	Data type	Initial value	Comment
	Trigger	BOOL	False	Execution condition
	LastTrigger	BOOL	False	Value of <i>Trigger</i> from previous task period
	OperatingStart	BOOL	False	Processing started
	Operating	BOOL	False	Processing
	Stage	INT	0	Stage change
	Index	INT	0	Index
	Fid	DWORD	16#0	File ID
	StrDat	STRING[256]	"	Text string data
	myArray	ARRAY[0..99] OF myStruct	[100((Member0:=0,member1:=0,member2:=0,member3:=0,member4:=0,member5:=0,member6:=0,member7:=0,member8:=0,member9:=0)))]	Numeric data
	Temp	STRING[256]	"	Temporary data

Internal variables	Variable	Data type	Initial value	Comment
	FileOpen_instance	FileOpen		
	FilePuts_instance	FilePuts		
	FileClose_instance	FileClose		

External variables	Variable	Data type	Comment
	_Card1Ready	BOOL	SD Memory Card Ready Flag

```

// Start sequence when Trigger changes to TRUE.
IF ( (Trigger=TRUE) AND (LastTrigger=FALSE) AND (_Card1Ready=TRUE) ) THEN
    OperatingStart:=TRUE;
    Operating :=TRUE;
END_IF;
LastTrigger:=Trigger;

// Initialize instance.
IF (OperatingStart=TRUE) THEN
    FileOpen_instance(Execute:=FALSE);
    FilePuts_instance(Execute:=FALSE);
    FileClose_instance(Execute:=FALSE);
    Stage :=INT#1;
    Index :=INT#0; // Initialize row index.
    OperatingStart:=FALSE;
END_IF;

// Execute instruction.
IF (Operating=TRUE) THEN
    CASE Stage OF
    1 : // Open file.
        FileOpen_instance(
            Execute :=TRUE,
            FileName:='ABC.csv', // File name
            Mode :=_RDWR_CREATE, // Read file
            FileID =>Fid); // File ID

        IF (FileOpen_instance.Done=TRUE) THEN
            Stage:=INT#2; // Normal end
        END_IF;

        IF (FileOpen_instance.Error=TRUE) THEN
            Stage:=INT#99; // Error end
        END_IF;

    2 : // Create a text string for one line.
        StrDat:='';

```

```
Temp :=AddDelimiter(myArray[Index],_COMMA);
StrDat:=CONCAT(In1:=Temp, In2:='$r$1');

Stage:=INT#3;

3 : // Write text string.
FilePuts_instance(
    Execute:=TRUE,
    FileID :=Fid,
    In :=StrDat);

IF (FilePuts_instance.Done=TRUE) THEN
    Index:=Index+INT#1;

    IF (Index>INT#99) THEN // If 100 lines were written
        Stage:=INT#4;
    ELSE
        FilePuts_instance(Execute:=FALSE);
        Stage:=INT#2;
    END_IF;
END_IF;

IF (FilePuts_instance.Error=TRUE) THEN
    Stage:=INT#99; // Error end
END_IF;

4 : // Close file.
FileClose_instance(
    Execute:=TRUE,
    FileID :=Fid); // File ID

IF (FileClose_instance.Done=TRUE) THEN
    Operating:=FALSE; // Normal end
END_IF;

IF (FileClose_instance.Error=TRUE) THEN
    Stage:=INT#99; // Error end
END_IF;

99 : // Processing after error end
    Operating:=FALSE;
END_CASE;
END_IF;
```

# SubDelimiter

The SubDelimiter instruction reads out delimited part of a text string and stores as the value of the members of a structure.

Instruction	Name	FB/ FUN	Graphic expression	ST expression
SubDelimiter	Get Text Strings Minus Delimit- ers	FUN		Out:=SubDelimiter(In, OutStruct, Delimiter);



## Version Information

A CPU Unit with unit version 1.02 or later and Sysmac Studio version 1.03 or higher are required to use this instruction.

## Variables

	Meaning	I/O	Description	Valid range	Unit	Default
In	Input text string	Input	Delimited text string to convert to the values of the members of a structure	1,986 bytes max. (1,985 single-byte alphanumeric characters plus the final NULL character)	---	"
Delimiter	Delimiter		Delimiter	_COMMA, _TAB, _SEMICOLON, _SPACE	---	_COMMA
OutStruct	Storage structure	In-out	Structure to store results of data conversion	8,192 bytes max.	---	---
Out	Return value	Output	Always TRUE	TRUE only	---	---

	Boo lean	Bit strings				Integers							Real num- bers	Times, durations, dates, and text strings						
	BOOL	BYTE	WORD	DWORD	LWORD	USINT	UINT	UDINT	ULINT	SINT	INT	DINT	LINT	REAL	LREAL	TIME	DATE	TOD	DT	STRING
In																				OK
Delimiter	Refer to <i>Function</i> on page 2-622 for the enumerators for the enumerated data type _eDELIMITER.																			
OutStruct	Structure																			
Out	OK																			

## Function

The SubDelimiter instruction converts text strings separated with *Delimiter* in *In* (input text string) into values for the members of *OutStruct* (storage structure) and assign each converted value to the corresponding member.

The data type of *Delimiter* is enumerated type `_eDELIMITER`. The meanings of the enumerators are as follows:

Enumerator	Meaning
<code>_COMMA</code>	';' (comma)
<code>_TAB</code>	'\$T' (tab)
<code>_SEMICOLON</code>	',' (semicolon)
<code>_SPACE</code>	' ' (blank character)

If the number of delimited text strings in *In* exceeds the number of members of *OutStruct*, the remaining string data is ignored.

If the number of delimited text strings in *In* is less than the number of members of *OutStruct*, the values of the remaining members are not changed.

If a member of *OutStruct* is a structure and there is not sufficient data in *In* for all the members of the structure, the data is still stored as far as possible.

If a member of *OutStruct* is an array and there is not sufficient data in *In* for all the elements of the array, the data is still stored as far as possible.

The delimited data in *In* consists of STRING data. The STRING data is converted according to the data types of the members of *OutStruct*, as described below.

### ● Boolean Data

If the STRING data is 'FALSE' or '0', it is converted to FALSE. If the STRING data is 'TRUE' or '1', it is converted to TRUE.

The following are exceptions.

- Any continuous '0' characters before '0' or '1' are ignored.
- 'FALSE' and 'TRUE' are not case sensitive.

Conversion is not possible if the STRING data is not 'FALSE', 'TRUE', '0', or '1'.

### ● Bit String Data

The conversion rules are the same as those for *STRING\_TO\_\*\** (*Text String-to-Bit String Conversion Group*) on page 2-321.

Conversion is not possible if the data does not express a hexadecimal number.

### ● Integer Data

The conversion rules are the same as those for *STRING\_TO\_\*\** (*Text String-to-Integer Conversion Group*) on page 2-319.

Conversion is not possible if the data does not express an integer number.

### ● Real Number Data

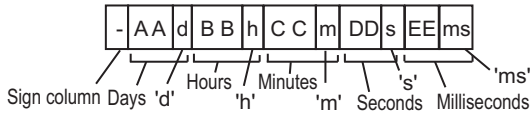
The conversion rules are the same as those for *STRING\_TO\_\*\** (*Text String-to-Real Number Conversion Group*) on page 2-323.

Conversion is not possible if the data does not express a real number.



## ● Duration Data

Data with the following structure is converted to a duration.



Item	Description
Sign column	If there is a positive (+) or if there is no sign column, the value of the member will be positive. If there is a negative (-), the value of the member will be negative.
Days	The value of AA is truncated after the 11th digit below the decimal point.
Hours	The value of BB is truncated after the 11th digit below the decimal point.
Minutes	The value of CC is truncated after the 10th digit below the decimal point.
Seconds	The value of DD is truncated after the 9th digit below the decimal point.
Milliseconds	The value of EE is truncated after the 6th digit below the decimal point.

- Note 1.** Any ' ' (blank characters) before the sign column, days, hours, minutes, seconds, or milliseconds are ignored.
- Note 2.** If any characters in the values of AA, BB, CC, DD, or EE are separated with a single '\_' (underbar), the underbar is ignored.
- Note 3.** Even if the value of the days, hours, minutes, seconds, or milliseconds is a real number with a '.' (period), the data can still be converted.
- Note 4.** If the days, hours, minutes, seconds, or milliseconds is included in the data, conversion is possible even if the other items are omitted.
- Note 5.** Even if there is a '0' before the value of the days, hours, minutes, seconds, or milliseconds, the data can still be converted.

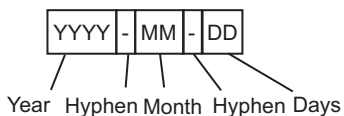
Conversion is not possible in the following cases.

- The data is not in the above structure.
- There is an '\_' (underbar) between the sign column and the days.
- '.' (periods) or '\_' (underbars) appear consecutively.

For example, if the STRING data is '-0.5d48h0.123456789ms', the value of the member will be T#-2d12h0m0s0.123456ms(T#-216000000.123456ms).

## ● Date Data

Data with the following structure is converted to a date.



The following are exceptions.

- Any ' ' (blank characters) before the year, month, or day are ignored.
- If any characters in the values of the year, month, or day are separated with a single '\_' (underbar), the underbar is ignored.
- Even if there is a '0' before the value of the year, month, or day, the data can still be converted.

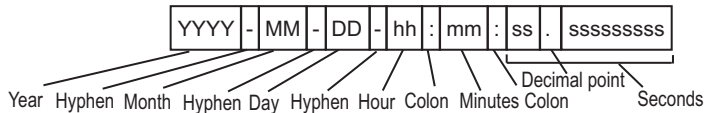
Conversion is not possible in the following cases.

- The data is not in the above structure.
- The date does not exist.

For example, if the STRING data is '2000-1-01', the value of the member will be D#2000-01-01.

● **Date and Time Data**

Data with the following structure is converted to a duration.



Item	Description
Year, month, and day	This is the year, month, and day that express the date.
Hour	The range of the value is 0 to 23.
Minutes	The range of the value is 0 to 59.
Seconds	The range of the value is 0 to 59.999999999. If the value is an integer, a decimal point is not required.
Hyphens and colons	These are always required.

- Note 1.** Any ' ' (blank characters) before the year, month, day, hour, minutes, or seconds are ignored.
- Note 2.** If any characters in the values of the year, month, day, hour, minutes, or seconds are separated with a single '\_' (underbar), the underbar is ignored.
- Note 3.** Even if there is a '0' before the value of the year, month, day, hour, minutes, or seconds, the data can still be converted.

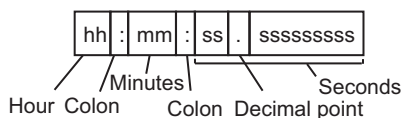
Conversion is not possible in the following cases.

- The data is not in the above structure.
- The date does not exist.

For example, if the STRING data is '2000-01-23-4:56:07.89', the value of the member will be DT#2000-01-23-04:56:07.89.

● **Time of Day Data**

Data with the following structure is converted to a time of day.



Item	Description
Hour	The range of the value is 0 to 23.
Minutes	The range of the value is 0 to 59.
Seconds	The range of the value is 0 to 59.999999999. If the value is an integer, a decimal point ('.' (period)) is not required.
Colons	These are always required.

- Note 1.** Any ' ' (blank characters) before the hour, minutes, or seconds are ignored.
- Note 2.** If any characters in the values of hour, minutes, or seconds are separated with a single '\_' (underbar), the underbar is ignored.
- Note 3.** Even if there is a '0' before the value of the hour, minutes, or seconds, the data can still be converted.

Conversion is not possible in the following cases.

- The data is not in the above structure.
- '.' (periods) or '\_' (underbars) appear consecutively.

For example, if the STRING data is '12:23:34.567', the value of the member will be TOD#12:23:34.567.

### ● Text String Data

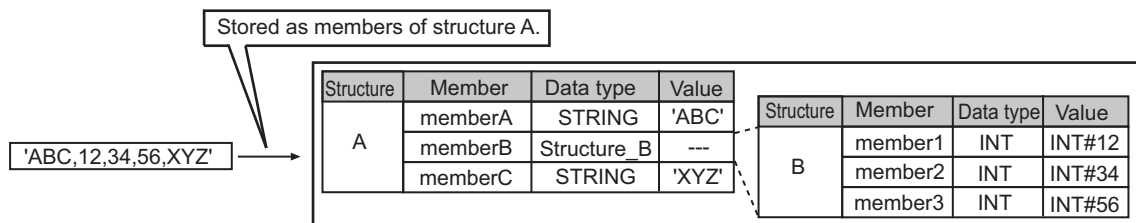
The value of the member will be the data with a NULL character added to the end. However, conversion is not possible if the text string exceeds the size of the member.

For example, if the STRING data is 'ABC' without a NULL character at the end, the value of the member will be 'ABC' with a NULL character at the end.

### ● Structure Data

The STRING data is converted according to the conversion rules for the data types of the members. The data is converted in order from the start and stored as the values of the members of the structure down to the nesting levels that are not structures.

For example, if a member of structure A is Structure B, the conversion works as shown below.



### ● Enumeration Data

STRING data that expresses a DINT variable is converted to an enumerator of the enumeration.

The same rules as for integers are used to convert to DINT data, the value of the DINT data is taken as the value of the enumeration, and that value is converted to the corresponding enumerator.

However, conversion is not possible if the STRING data does not express a DINT value.

For example, assume that an enumeration *Color* has three enumerators: *red*, *yellow*, and *green*. The numbers associated with these enumerators are as follows: *red* = 1, *yellow* = 2, *green* = 3. If the data is '3', the value of the member will be *green*.

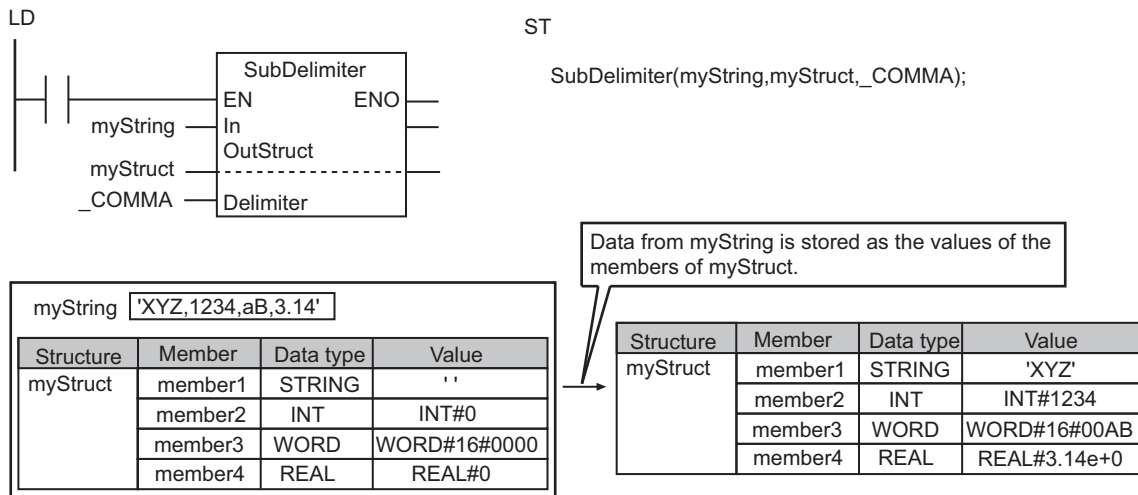
### ● Array Data

Each delimited data is converted to the value of an element. The conversion rules for the data type of the array are used. Conversion is possible only if the members are one-dimensional arrays.

For example, assume that a member is the `myString[0..3]` BYTE array. If the comma-delimited text string 'AA,BB,CC,DD' is converted to the elements of the array, `myString[0]` will be `BYTE#16#AA`, `myString[1]` will be `BYTE#16#BB`, `myString[2]` will be `BYTE#16#CC`, and `myString[3]` will be `BYTE#16#DD`.

## Notation Example

The following example shows how comma-separated data in *myString* are converted and assigned to the members of the *myStruct* structure.



## Additional Information

- You can combine this instruction with the instruction, *FileGets* on page 2-1528, to easily read values from specified CSV files in an SD Memory Card. Refer to *Sample Programming* on page 2-626 for an application example.
- Use this instruction to return a text string that was converted with the instruction, *AddDelimiter* on page 2-609, to structure data.

## Precautions for Correct Use

- If there is more than one consecutive delimiter in *In*, the delimited data will not exist. If the delimited data does not exist, the value of the member of *OutStruct* will be undefined.
- Do not use delimiters for any other purpose in *In*. If you use a delimiter for any other purpose, the instruction will still treat it as a delimiter.
- If there is a STRING member in *OutStruct*, do not attach a final NULL character to the corresponding data in *In*. If you use a NULL character anywhere except at the end of *In*, only the string data before the NULL character will be converted.
- If there is an enumeration in *OutStruct*, make sure that the corresponding data in *In* is a value that is defined as an enumerator. An error will not occur even if the value of the enumerated variable is not defined as an enumerator.
- An error will occur in the following cases. *ENO* will change to FALSE, and the values in *OutStruct* will be undefined.
  - Conversion to the data type of a member of *OutStruct* is not possible.
  - The conversion result exceeds the valid range of the corresponding member of *OutStruct*.
  - A member of *OutStruct* is an array with more than one dimension.
  - A member of *OutStruct* is a union.
  - The size of *OutStruct* exceeds 8,192 bytes.

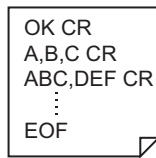
## Sample Programming

Here, multiple lines of text strings that are separated by carriage returns (i.e., CR codes) are stored in a file named 'ABC.csv.' The text string on each line is delimited by commas.

Text strings are read from this file one line at a time, and the comma-delimited data is stored as the values of the members of the `myArray[]` array variables in the `myStruct` structure from the start of the structure. The `myStruct` structure has five members that are `STRING` variables.

Processing ends when the data is read to the end of the file (i.e., when it is read to the EOF code).

'ABC.csv' file



Lines are read one at a time and stored in `myArray[]` members.

<code>myArray[0].member0</code>	'OK'	<code>myArray[1].member0</code>	'A'	<code>myArray[2].member0</code>	'ABC'	
<code>myArray[0].member1</code>	Undefined	<code>myArray[1].member1</code>	'B'	<code>myArray[2].member1</code>	'DEF'	...
<code>myArray[0].member2</code>	Undefined	<code>myArray[1].member2</code>	'C'	<code>myArray[2].member2</code>	Undefined	
<code>myArray[0].member3</code>	Undefined	<code>myArray[1].member3</code>	Undefined	<code>myArray[2].member3</code>	Undefined	
<code>myArray[0].member4</code>	Undefined	<code>myArray[1].member4</code>	Undefined	<code>myArray[2].member4</code>	Undefined	

The processing procedure is as follows:

- 1 The `FileOpen` instruction is used to open the file 'ABC.csv.'
- 2 The `FileGets` instruction is used to read one line from the file.
- 3 The `SubDelimiter` is used to store comma-delimited text strings as the values of the `myArray[]` members.
- 4 Steps 2 and 3 are repeated until the EOF (end of file).
- 5 The `FileClose` instruction is used to close the file.

## Data Type Definition

Name	Data type	Comment
<code>myStruct</code>	STRUCT	Structure
<code>member0</code>	STRING	Member
<code>member1</code>	STRING	Member
<code>member2</code>	STRING	Member
<code>member3</code>	STRING	Member
<code>member4</code>	STRING	Member

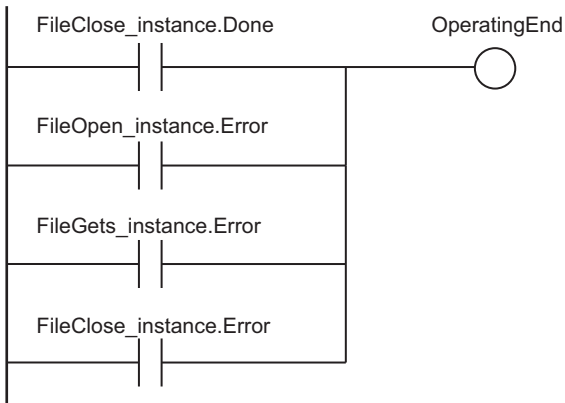
## LD

Internal variables	Variable	Data type	Initial value	Comment
	<code>OperatingEnd</code>	BOOL	False	Processing completed
	<code>Trigger</code>	BOOL	False	Execution condition
	<code>Operating</code>	BOOL	False	Processing

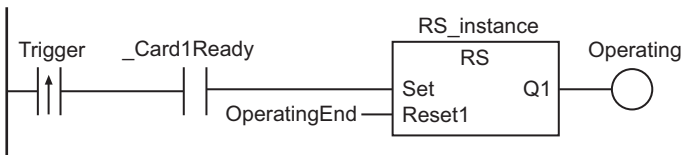
Internal variables	Variable	Data type	Initial value	Comment
	Index	INT	0	myArray[] element index
	Fid	DWORD	16#0	File ID
	myArray	ARRAY[0..999] OF myStruct	[1000((member0:="",member1:="",member2:="",member3:="",member4:=""))]	Integer data
	RS_instance	RS		
	FileOpen_instance	FileOpen		
	FileGets_instance	FileGets		
	FileClose_instance	FileClose		

External variables	Variable	Data type	Comment
	_Card1Ready	BOOL	SD Memory Card Ready Flag

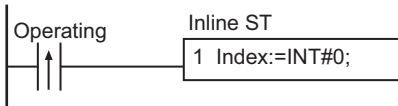
Determine if instruction execution is completed.



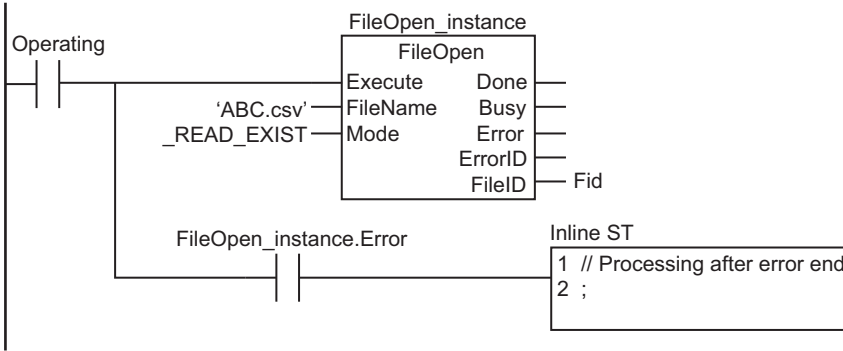
Accept trigger.



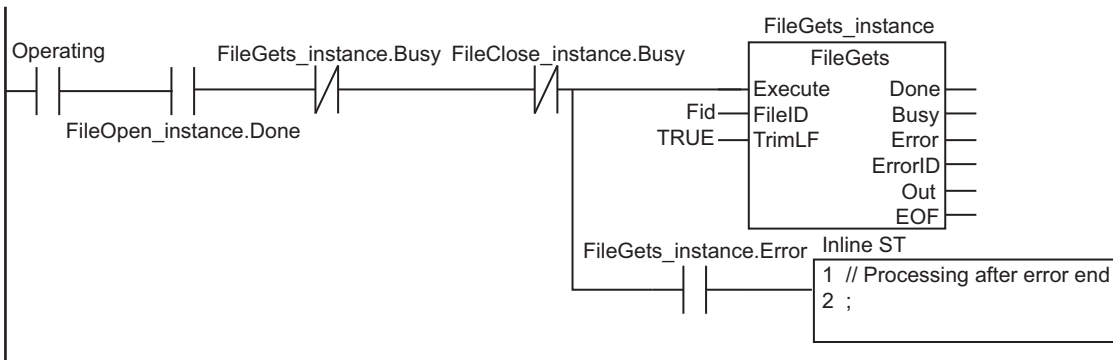
Initialize *InDat[]* element index.



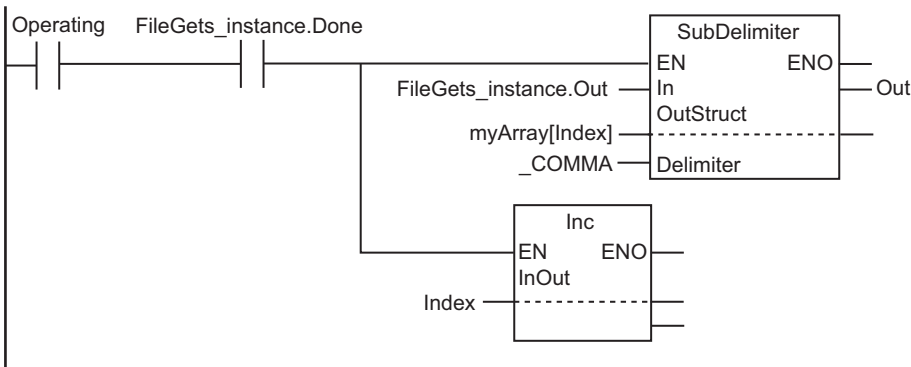
Execute FileOpen instruction.



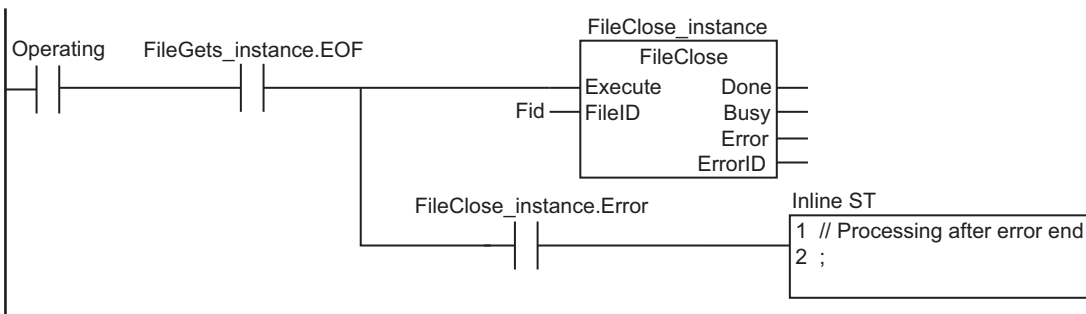
Execute FileGets instruction.



Execute SubDelimiter instruction.



Execute FileClose instruction when EOF is detected.





### ST

Internal variables	Variable	Data type	Initial value	Comment
	Trigger	BOOL	False	Execution condition
	LastTrigger	BOOL	False	Value of <i>Trigger</i> from previous task period
	OperatingStart	BOOL	False	Processing started
	Operating	BOOL	False	Processing
	myArray	AR-RAY[0..999] OF myStruct	[1000((member0:="",member1:="",member2:="",member3:="",member4:=""))]	Integer data
	Stage	INT	0	Stage change
	Index	INT	0	myArray[] element index
	Fid	DWORD	16#0	File ID
	FileOpen_instance	FileOpen		
	FileGets_instance	FileGets		
	FileClose_instance	FileClose		

External variables	Variable	Data type	Comment
	_Card1Ready	BOOL	SD Memory Card Ready Flag

```

// Start sequence when Trigger changes to TRUE.
IF ( (Trigger=TRUE) AND (LastTrigger=FALSE) AND (_Card1Ready=TRUE) ) THEN
  OperatingStart:=TRUE;
  Operating :=TRUE;
END_IF;
LastTrigger:=Trigger;

// Initialize instance.
IF (OperatingStart=TRUE) THEN
  FileOpen_instance(Execute:=FALSE);
  FileGets_instance(Execute:=FALSE);
  FileClose_instance(Execute:=FALSE);
  Stage :=INT#1;
  Index :=INT#0;

```



```

    OperatingStart:=FALSE;
END_IF;

// Execute instruction.
IF (Operating=TRUE) THEN
    CASE Stage OF
    1 : // Open file.
        FileOpen_instance(
            Execute :=TRUE,
            FileName:='ABC.csv', // File name
            Mode :=_READ_EXIST, // Read file
            FileID =>Fid); // File ID

        IF (FileOpen_instance.Done=TRUE) THEN
            Stage:=INT#2; // Normal end
        END_IF;

        IF (FileOpen_instance.Error=TRUE) THEN
            Stage:=INT#99; // Error end
        END_IF;

    2 : // Read text string.
        FileGets_instance(
            Execute:=TRUE,
            FileID :=Fid,
            TrimLF :=TRUE);

        IF (FileGets_instance.Done=TRUE) THEN
            // Store the text strings that were read as the values of the myArray[] member.
            SubDelimiter(FileGets_instance.Out,myArray[Index],_COMMA);
            Index:=Index+INT#1;

            // Reached end of file.
            IF (FileGets_instance.EOF=TRUE) THEN
                Stage:=INT#3; // Normal end
            ELSE
                FileGets_instance(Execute:=FALSE);
            END_IF;
        END_IF;

        IF (FileGets_instance.Error=TRUE) THEN
            Stage:=INT#99; // Error end
        END_IF;

    3 : // Close file.
        FileClose_instance(

```

```
Execute:=TRUE,  
FileID :=Fid); // File ID  
  
IF (FileClose_instance.Done=TRUE) THEN  
    Operating:=FALSE; // Normal end  
END_IF;  
  
IF (FileClose_instance.Error=TRUE) THEN  
    Stage:=INT#99; // Error end  
END_IF;  
  
99 : // Processing after error end  
    Operating:=FALSE;  
END_CASE;  
END_IF;
```

# StringMD5

Converts a text string to the MD5 hash value.

Instruction	Name	FB/ FUN	Graphic expression	ST expression
StringMD5	Convert String to MD5	FUN		Out:=StringMD5(In);



## Precautions for Correct Use

An N502 CPU Unit with unit version 1.63 or later and Sysmac Studio version 1.55 or higher are required to use this instruction.

## Variables

	Meaning	I/O	Description	Valid range	Unit	Default
In	Text string to convert	Input	Specifies a text string to convert.	Depends on data type.	---	"
Out	Return value	Output	Outputs the converted text string.	Depends on data type.	---	---

	Boo lean	Bit strings					Integers							Real num- bers		Times, durations, dates, and text strings				
	BOOL	BYTE	WORD	DWORD	LWORD	USINT	UINT	UDINT	ULINT	SINT	INT	DINT	LINT	REAL	LREAL	TIME	DATE	TOD	DT	STRING
In																				OK
Out																				OK

## Function

This instruction converts the text string from the beginning character to the first NULL character of text string to convert *In* to the MD5 hash value. The converted result is output to return value *Out*.

A NULL character is not included in the conversion of the MD5 hash value.

33 bytes (32 characters plus NULL) including NULL are output to return value *Out*.

## Precautions for Correct Use

An error will occur if the text string of *In* does not end with a NULL character. *ENO* will be FALSE, and *Out* will not change.



# Time and Time of Day Instructions

Instruction	Name	Page
ADD_TIME	Add Time	page 2-637
ADD_TOD_TIME	Add Time to Time of Day	page 2-639
ADD_DT_TIME	Add Time to Date and Time	page 2-641
SUB_TIME	Subtract Time	page 2-643
SUB_TOD_TIME	Subtract Time from Time of Day	page 2-645
SUB_TOD_TOD	Subtract Time of Day	page 2-647
SUB_DATE_DATE	Subtract Date	page 2-649
SUB_DT_DT	Subtract Date and Time	page 2-650
SUB_DT_TIME	Subtract Time from Date and Time	page 2-652
MULTIME	Multiply Time	page 2-654
DIVTIME	Divide Time	page 2-656
CONCAT_DATE_TOD	Concatenate Date and Time of Day	page 2-658
DT_TO_TOD	Extract Time of Day from Date and Time	page 2-660
DT_TO_DATE	Extract Date from Date and Time	page 2-662
SetTime	Set Time	page 2-664
GetTime	Get Time of Day	page 2-666
DtToSec	Convert Date and Time to Seconds	page 2-668
DateToSec	Convert Date to Seconds	page 2-670
TodToSec	Convert Time of Day to Seconds	page 2-672
SecToDt	Convert Seconds to Date and Time	page 2-674
SecToDate	Convert Seconds to Date	page 2-676

<b>Instruction</b>	<b>Name</b>	<b>Page</b>
SecToTod	Convert Seconds to Time of Day	page 2-678
TimeToNanoSec	Convert Time to Nanoseconds	page 2-680
TimeToSec	Convert Time to Seconds	page 2-681
NanoSecToTime	Convert Nanoseconds to Time	page 2-683
SecToTime	Convert Seconds to Time	page 2-684
ChkLeapYear	Check for Leap Year	page 2-686
GetDaysOfMonth	Get Days in Month	page 2-687
DaysToMonth	Convert Days to Month	page 2-690
GetDayOfWeek	Get Day of Week	page 2-692
GetWeekOfYear	Get Week Number	page 2-694
DtToDateStruct	Break Down Date and Time	page 2-696
DateStructToDt	Join Time	page 2-699
TruncTime	Truncate Time	page 2-702
TruncDt	Truncate Date and Time	page 2-706
TruncTod	Truncate Time of Day	page 2-710

# ADD\_TIME

The ADD\_TIME instruction adds two times.

Instruction	Name	FB/ FUN	Graphic expression	ST expression
ADD_TIME	Add Time	FUN		Out:=ADD_TIME(In1, In2);

## Variables

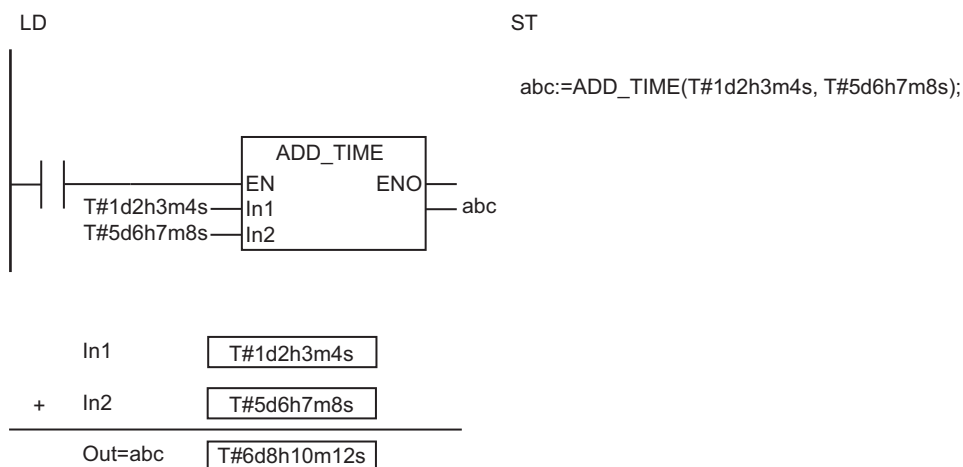
	Meaning	I/O	Description	Valid range	Unit	Default
In1	Add time 1	Input	Add time 1	Depends on data type.	ns	T#0s
In2	Add time 2		Add time 2			
Out	Total time	Output	Total time	Depends on data type.	ns	---

	Boo lean	Bit strings					Integers							Real numbers		Times, durations, dates, and text strings				
	BOOL	BYTE	WORD	DWORD	LWORD	USINT	UINT	UDINT	ULINT	SINT	INT	DINT	LINT	REAL	LREAL	TIME	DATE	TOD	DT	STRING
In1																OK				
In2																OK				
Out																OK				

## Function

The ADD\_TIME instruction adds two times, *In1* and *In2*. The result of addition in *Out* is also a time.

The following example is for when *In1* is T#1d2h3m4s and *In2* is T#5d6h7m8s.



### Precautions for Correct Use

An error will not occur even if the addition result exceeds the valid range of *Out*, and the addition will be processed as shown in the examples below.

- $T\#106751d\_23h\_47m\_16s\_854.775807ms + T\#0.000001ms$   
→  $T\#-106751d\_23h\_47m\_16s\_854.775808ms$
- $T\#-106751d\_23h\_47m\_16s\_854.775808ms + T\#-0.000001ms$   
→  $T\#106751d\_23h\_47m\_16s\_854.775807ms$



# ADD\_TOD\_TIME

The ADD\_TOD\_TIME instruction adds a time to a time of day.

Instruction	Name	FB/ FUN	Graphic expression	ST expression
ADD_TOD_TIME	Add Time to Time of Day	FUN		Out:=ADD_TOD_TIME(In1, In2);

## Variables

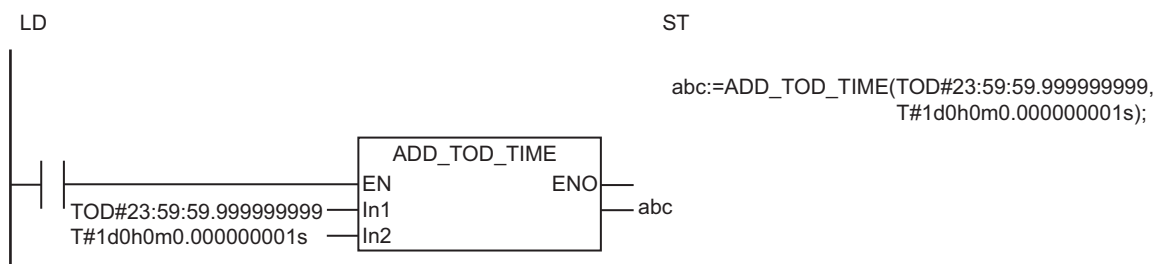
	Meaning	I/O	Description	Valid range	Unit	Default
In1	Add time of day	Input	Add time of day	Depends on data type.	Hour, minutes, seconds	TOD#0:0:0
In2	Add time		Add time		ns	T#0s
Out	Resulting time of day	Output	Resulting time of day	Depends on data type.	Hour, minutes, seconds	---

	Boolean	Bit strings					Integers							Real numbers		Times, durations, dates, and text strings				
	BOOL	BYTE	WORD	DWORD	LWORD	USINT	UINT	UDINT	ULINT	SINT	INT	DINT	LINT	REAL	LREAL	TIME	DATE	TOD	DT	STRING
In1																		OK		
In2																OK				
Out																		OK		

## Function

The ADD\_TOD\_TIME instruction adds a time, *In2*, to a time of day *In1*. The result of addition in *Out* is also a time of day.

The following example is for when *In1* is TOD#23:59:59.999999999 and *In2* is T#1d0h0m0.00000001s.



In1	TOD#23:59:59.999999999
+ In2	T#1d0h0m0.000000001s
<hr/>	
Out=abc	TOD#0:0:0.000000000

### Precautions for Correct Use

An error will not occur even if the addition result exceeds the valid range of *Out*, and the addition will be processed as shown in the examples below.

- $\text{TOD\#23:59:59.999999999} + \text{T\#0.000001ms} \rightarrow \text{TOD\#0:0:0.000000000}$
- $\text{TOD\#0:0:0.000000000} + \text{T\#-0.000001ms} \rightarrow \text{TOD\#23:59:59.999999999}$

# ADD\_DT\_TIME

The ADD\_DT\_TIME instruction adds a time to a date and time.

Instruction	Name	FB/ FUN	Graphic expression	ST expression
ADD_DT_TIME	Add Time to Date and Time	FUN		Out:=ADD_DT_TIME(In1, In2);

## Variables

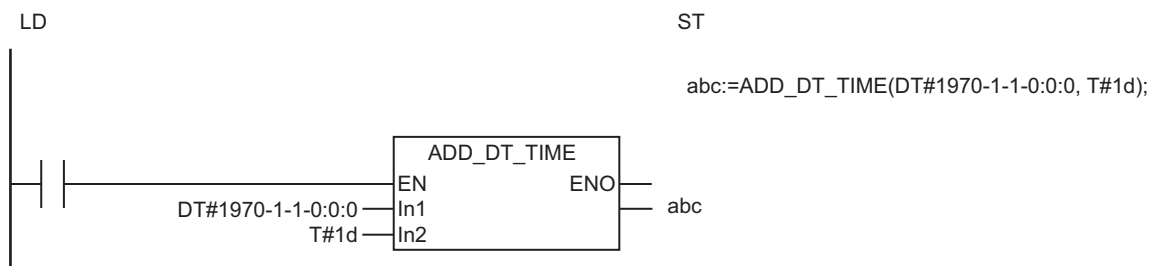
	Meaning	I/O	Description	Valid range	Unit	Default
In1	Add date and time	Input	Add date and time	Depends on data type.	Year, month, day, hour, minutes, seconds	DT#1970-1-1-0:0:0
In2	Add time		Add time			
Out	Addition result date and time	Output	Addition result date and time	Depends on data type.	Year, month, day, hour, minutes, seconds	---

	Boo lean	Bit strings					Integers							Real numbers		Times, durations, dates, and text strings					
	BOOL	BYTE	WORD	DWORD	LWORD	USINT	UINT	UDINT	ULINT	SINT	INT	DINT	LINT	REAL	LREAL	TIME	DATE	TOD	DT	STRING	
In1																				OK	
In2																OK					
Out																				OK	

## Function

The ADD\_DT\_TIME instruction adds a time, *In2*, to a date and time *In1*. The result of addition in *Out* is also a date and time. Leap years are also accounted for.

The following example is for when *In1* is DT#1970-1-1-0:0:0 and *In2* is T#1d.



In1	DT#1970-1-1-0:0:0
+	In2
	T#1d
Out=abc	
	DT#1970-1-2-0:0:0

### Related System-defined Variables

Name	Meaning	Data type	Description
_CurrentTime	System Time of Day	DT	The time of day from the system clock. The number of seconds from 00:00:00 on January 1, 1970.

### Precautions for Correct Use

An error will not occur even if the addition result exceeds the valid range of *Out*, and the addition will be processed as shown in the examples below.

- DT#2554-7-21-23:34:33.709551615 + T#0.000001ms → DT#1970-1-1-0:0:0
- DT#1970-1-1-0:0:0 + T#-0.000001ms → DT#2554-7-21-23:34:33.709551615

# SUB\_TIME

The SUB\_TIME instruction subtracts a time from another time.

Instruction	Name	FB/ FUN	Graphic expression	ST expression
SUB_TIME	Subtract Time	FUN		Out:=SUB_TIME(In1, In2);

## Variables

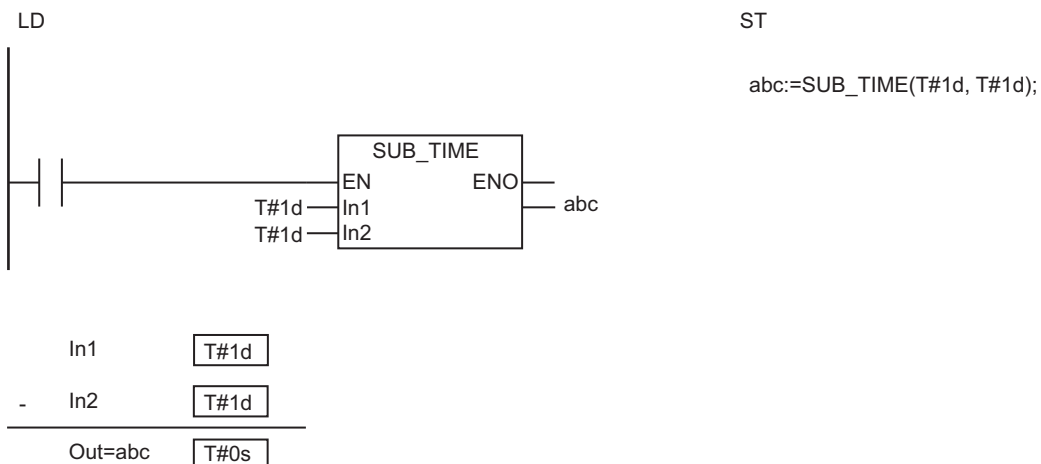
	Meaning	I/O	Description	Valid range	Unit	Default
In1	Original time	Input	Original time	Depends on data type.	ns	T#0s
In2	Time to subtract		Time to subtract			
Out	Resulting time	Output	Resulting time	Depends on data type.	ns	---

	Boolean	Bit strings					Integers							Real numbers		Times, durations, dates, and text strings				
	BOOL	BYTE	WORD	DWORD	LWORD	USINT	UINT	UDINT	ULINT	SINT	INT	DINT	LINT	REAL	LREAL	TIME	DATE	TOD	DT	STRING
In1																OK				
In2																OK				
Out																OK				

## Function

The SUB\_TIME instruction subtracts a time *In2* from another time *In1*. The result of subtraction in *Out* is also a time.

The following example is for when *In1* and *In2* are T#1d.



### Precautions for Correct Use

An error will not occur even if the subtraction result exceeds the valid range of *Out*, and the subtraction will be processed as shown in the examples below.

- $T\#106751d\_23h\_47m\_16s\_854.775807ms - T\#0.000001ms$   
→  $T\#-106751d\_23h\_47m\_16s\_854.775808ms$
- $T\#-106751d\_23h\_47m\_16s\_854.775808ms - T\#0.000001ms$   
→  $T\#106751d\_23h\_47m\_16s\_854.775807ms$

# SUB\_TOD\_TIME

The SUB\_TOD\_TIME instruction subtracts a time from a time of day.

Instruction	Name	FB/ FUN	Graphic expression	ST expression
SUB_TOD_TIME	Subtract Time from Time of Day	FUN		Out:=SUB_TOD_TIME(In1, In2);

## Variables

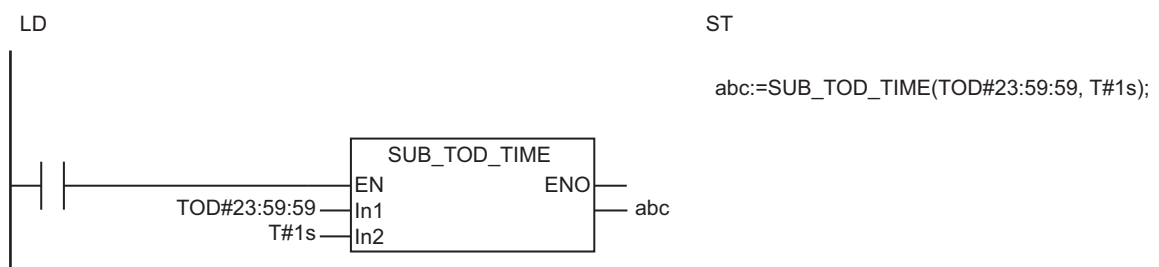
	Meaning	I/O	Description	Valid range	Unit	Default
In1	Time of day	Input	Time of day	Depends on data type.	Hour, minutes, seconds	TOD#0:0:0
In2	Time to subtract		Time to subtract		ns	T#0s
Out	Resulting time of day	Output	Resulting time of day	Depends on data type.	Hour, minutes, seconds	---

	Boolean	Bit strings					Integers							Real numbers		Times, durations, dates, and text strings				
	BOOL	BYTE	WORD	DWORD	LWORD	USINT	UINT	UDINT	ULINT	SINT	INT	DINT	LINT	REAL	LREAL	TIME	DATE	TOD	DT	STRING
In1																		OK		
In2																OK				
Out																		OK		

## Function

The SUB\_TOD\_TIME instruction subtracts a time *In2* from a time of day *In1*. The result of subtraction in *Out* is also a time of day.

The following example is for when *In1* is TOD#23:59:59 and *In2* is T#1s.



In1	TOD#23:59:59
- In2	T#1s
<hr/>	
Out=abc	TOD#23:59:58

### Precautions for Correct Use

An error will not occur even if the subtraction result exceeds the valid range of *Out*, and the subtraction will be processed as shown in the examples below.

- $\text{TOD\#23:59:59.999999999} - \text{T\#-0.000001ms} \rightarrow \text{TOD\#0:0:0}$
- $\text{TOD\#0:0:0} - \text{T\#0.000001ms} \rightarrow \text{TOD\#23:59:59.999999999}$



# SUB\_TOD\_TOD

The SUB\_TOD\_TOD instruction subtracts a time of day from another time of day.

Instruction	Name	FB/ FUN	Graphic expression	ST expression
SUB_TOD_TOD	Subtract Time of Day	FUN		Out:=SUB_TOD_TOD(In1, In2);

## Variables

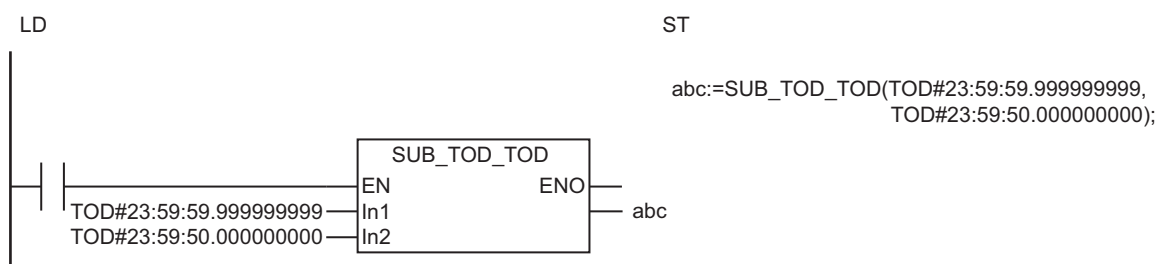
	Meaning	I/O	Description	Valid range	Unit	Default
In1	Time of day 1	Input	Time of day 1	Depends on data type.	Hour, minutes, seconds	TOD#0:0:0
In2	Time of day 2		Time of day 2			
Out	Resulting time	Output	Resulting time	Depends on data type.	ns	---

	Boolean	Bit strings					Integers							Real numbers		Times, durations, dates, and text strings				
	BOOL	BYTE	WORD	DWORD	LWORD	USINT	UINT	UDINT	ULINT	SINT	INT	DINT	LINT	REAL	LREAL	TIME	DATE	TOD	DT	STRING
In1																		OK		
In2																		OK		
Out															OK					

## Function

The SUB\_TOD\_TOD instruction subtracts a time of day *In2* from another time of day *In1*. The result of subtraction in *Out* is a time.

The following example is for when *In1* is TOD#23:59:59.999999999 and *In2* is TOD#23:59:50.000000000.



In1	TOD#23:59:59.999999999
- In2	TOD#23:59:50.000000000
<hr/>	
Out=abc	T#0d0h0m9.999999999s

# SUB\_DATE\_DATE

The SUB\_DATE\_DATE instruction subtracts a date from another date.

Instruction	Name	FB/ FUN	Graphic expression	ST expression
SUB_DATE_DATE	Subtract Date	FUN		Out:=SUB_DATE_DATE(In1, In2);

2

## Variables

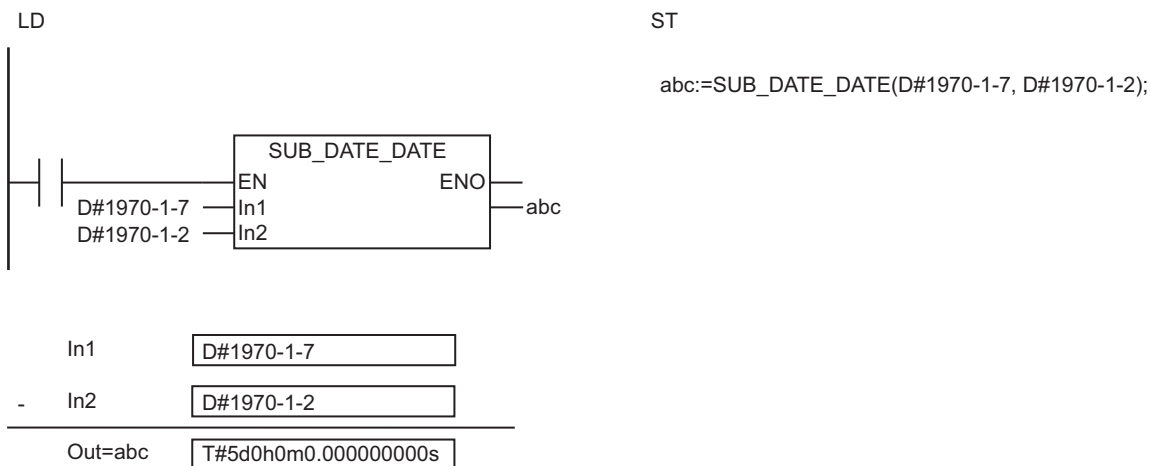
	Meaning	I/O	Description	Valid range	Unit	Default
In1	Date 1	Input	Date 1	Depends on data type.	Year, month, day	DT#1970-1-1
In2	Date 2		Date 2			
Out	Resulting time	Output	Resulting time	Depends on data type.	ns	---

	Boolean	Bit strings					Integers							Real numbers		Times, durations, dates, and text strings				
	BOOL	BYTE	WORD	DWORD	LWORD	USINT	UINT	UDINT	ULINT	SINT	INT	DINT	LINT	REAL	LREAL	TIME	DATE	TOD	DT	STRING
In1																	OK			
In2																	OK			
Out															OK					

## Function

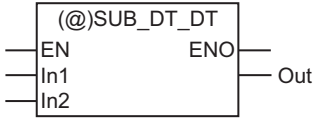
The SUB\_DATE\_DATE instruction subtracts date *In2* from date *In1*. The result of subtraction in *Out* is a time.

The following example is for when *In1* is D#1970-1-7 and *In2* is D#1970-1-2.



# SUB\_DT\_DT

The SUB\_DT\_DT instruction subtracts a date and time from another date and time.

Instruction	Name	FB/ FUN	Graphic expression	ST expression
SUB_DT_DT	Subtract Date and Time	FUN		Out:=SUB_DT_DT(In1, In2);

## Variables

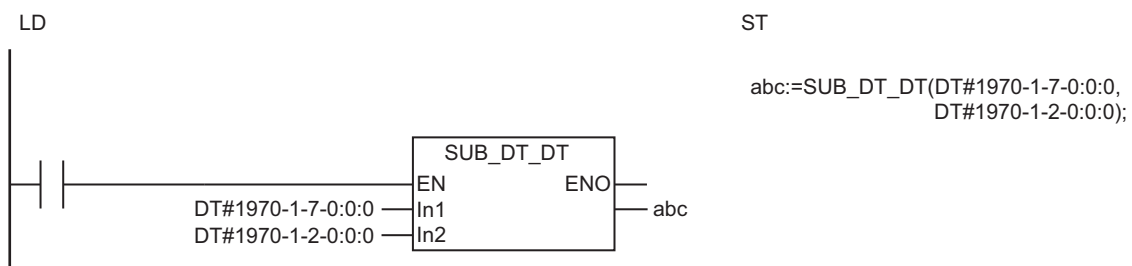
	Meaning	I/O	Description	Valid range	Unit	Default
In1	Date and time 1	Input	Date and time 1	Depends on data type.	Year, month, day, hour, minutes, seconds	DT#1970-1-1-0:0:0
In2	Date and time 2		Date and time 2			
Out	Resulting time	Output	Resulting time	Depends on data type.	ns	---

	Boo lean	Bit strings					Integers							Real numbers		Times, durations, dates, and text strings				
	BOOL	BYTE	WORD	DWORD	LWORD	USINT	UINT	UDINT	ULINT	SINT	INT	DINT	LINT	REAL	LREAL	TIME	DATE	TOD	DT	STRING
In1																			OK	
In2																			OK	
Out															OK					

## Function

The SUB\_DT\_DT instruction subtracts date and time *In2* from date and time *In1*. The result of subtraction in *Out* is a time.

The following example is for when *In1* is DT#1970-1-7-0:0:0 and *In2* is DT#1970-1-2-0:0:0.



In1	DT#1970-1-7-0:0:0
- In2	DT#1970-1-2-0:0:0
<hr/>	
Out=abc	T#5d

### Related System-defined Variables

Name	Meaning	Data type	Description
_CurrentTime	System Time of Day	DT	The time of day from the system clock. The number of seconds from 00:00:00 on January 1, 1970.

### Precautions for Correct Use

If the processing result exceeds the valid range of *Out*, *Out* will contain an illegal value.

# SUB\_DT\_TIME

The SUB\_DT\_TIME instruction subtracts a time from a date and time.

Instruction	Name	FB/ FUN	Graphic expression	ST expression
SUB_DT_TIME	Subtract Time from Date and Time	FUN		Out:=SUB_DT_TIME(In1, In2);

## Variables

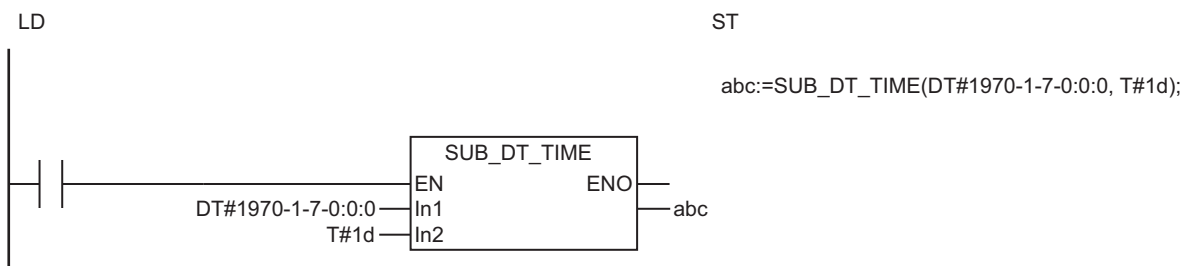
	Meaning	I/O	Description	Valid range	Unit	Default
In1	Date and time	Input	Date and time	Depends on data type.	Year, month, day, hour, minutes, seconds	DT#1970-1-1-0:0:0
In2	Time to subtract		Time to subtract		ns	T#0s
Out	Resulting date and time	Output	Resulting date and time	Depends on data type.	Year, month, day, hour, minutes, seconds	---

	Boo lean	Bit strings					Integers							Real numbers		Times, durations, dates, and text strings					
	BOOL	BYTE	WORD	DWORD	LWORD	USINT	UINT	UDINT	ULINT	SINT	INT	DINT	LINT	REAL	LREAL	TIME	DATE	TOD	DT	STRING	
In1																				OK	
In2																OK					
Out																				OK	

## Function

The SUB\_DT\_TIME instruction subtracts a time *In2* from a date and time *In1*. The result of subtraction in *Out* is a date and time. Leap years are also accounted for.

The following example is for when *In1* is DT#1970-1-1-0:0:0 and *In2* is T#1d.



In1	DT#1970-1-7-0:0:0
- In2	T#1d
<hr/>	
Out=abc	DT#1970-1-6-0:0:0

## Related System-defined Variables

Name	Meaning	Data type	Description
_CurrentTime	System Time of Day	DT	The time of day from the system clock. The number of seconds from 00:00:00 on January 1, 1970.

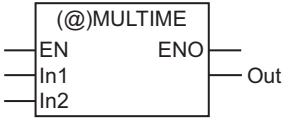
## Precautions for Correct Use

An error will not occur even if the subtraction result exceeds the valid range of *Out*, and the subtraction will be processed as shown in the examples below.

- DT#2554-7-21-23:34:33.709551615 - T#-0.000001ms → DT#1970-1-1-0:0:0
- DT#1970-1-1-0:0:0 - T#0.000001ms → DT#2554-7-21-23:34:33.709551615

# MULTIME

The MULTIME instruction multiplies a time by a specified number.

Instruction	Name	FB/ FUN	Graphic expression	ST expression
MULTIME	Multiply Time	FUN		Out:=MULTIME(In1, In2);

## Variables

	Meaning	I/O	Description	Valid range	Unit	Default
In1	Original time	Input	Original time	Depends on data type.	ns	T#0s
In2	Multiplier		Multiplier		---	*1
Out	Resulting time	Output	Resulting time	Depends on data type.	ns	---

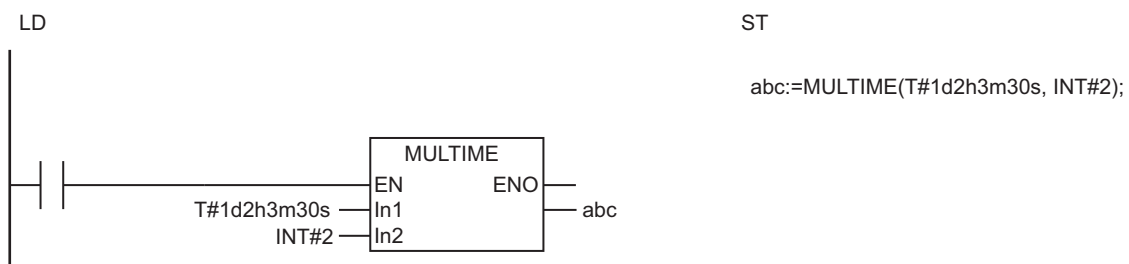
\*1. If you omit the input parameter, the default value is not applied. A building error will occur.

	Boo lean	Bit strings					Integers							Real numbers		Times, durations, dates, and text strings				
	BOOL	BYTE	WORD	DWORD	LWORD	USINT	UINT	UDINT	ULINT	SINT	INT	DINT	LINT	REAL	LREAL	TIME	DATE	TOD	DT	STRING
In1																OK				
In2						OK	OK	OK	OK	OK	OK	OK	OK	OK	OK					
Out																OK				

## Function

The MULTIME instruction multiplies a time *In1* by multiplier *In2*. The result of multiplication in *Out* is also a time.

The following example is for when *In1* is T#1d2h3m30s and *In2* is INT#2.





In1	T#1d2h3m30s
× In2	INT#2
Out=abc	T#2d4h7m

## Precautions for Correct Use

- If *In2* is a real number, the multiplication result is rounded to the nearest nanosecond.
- If the value of *In2* is 0, positive infinity, negative infinity, or nonnumeric data, the value of *Out* is as shown below.

Value of <i>In2</i>	Value of <i>Out</i>	
	NX1P2	Other than the left.
0	T#0s	T#0s
+∞	T#-0d0h0m0s1e-6ms	T#-106751d23h47m16.854775808s
-∞	T#-0d0h0m0s1e-6ms	T#-106751d23h47m16.854775808s
Nonnumeric data	T#0s	T#-106751d23h47m16.854775808s

- An error will not occur even if the multiplication result exceeds the valid range of *Out*, and the multiplication will be processed as shown in the examples below.
  - a) T#53375d\_23h\_53m\_38s\_427.387904ms \* USINT#2  
→ T#-106751d\_23h\_47m\_16s\_854.775808ms
  - b) T#-53375d\_23h\_53m\_38s\_427.387905ms \* USINT#2  
→ T#106751d\_23h\_47m\_16s\_854.775806ms

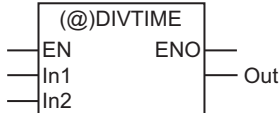
## Rounding Off

The following table shows how values are rounded.

Value of fractional part	Description	Examples
Less than 0.5	The fractional part is truncated.	1.49 → 1
0.5	If the ones digit is an even number, the fractional part is truncated. If it is an odd number, the value is rounded up.	1.50 → 2 2.50 → 2
Greater than 0.5	The fractional part is rounded up.	1.51 → 2

# DIVTIME

The DIVTIME instruction divides a time by a specified number.

Instruction	Name	FB/ FUN	Graphic expression	ST expression
DIVTIME	Divide Time	FUN		Out:=DIVTIME(In1, In2);

## Variables

	Meaning	I/O	Description	Valid range	Unit	Default
In1	Original time	Input	Original time	Depends on data type.	ns	T#0s
In2	Number to divide by		Number to divide by		---	*1
Out	Resulting time	Output	Resulting time	Depends on data type.	ns	---

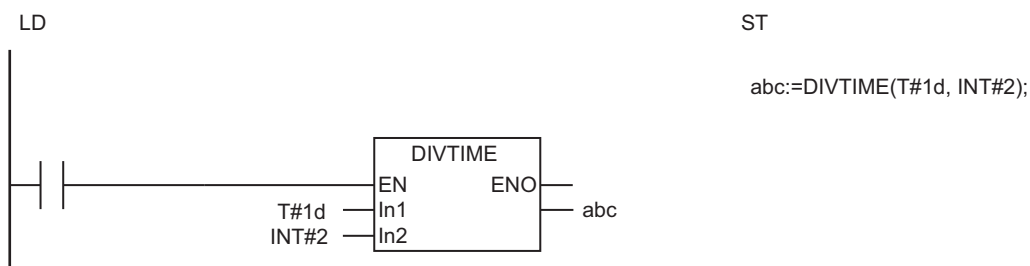
\*1. If you omit the input parameter, the default value is not applied. A building error will occur.

	Boo lean	Bit strings					Integers							Real num- bers		Times, durations, dates, and text strings				
	BOOL	BYTE	WORD	DWORD	LWORD	USINT	UINT	UDINT	ULINT	SINT	INT	DINT	LINT	REAL	LREAL	TIME	DATE	TOD	DT	STRING
In1																OK				
In2						OK	OK	OK	OK	OK	OK	OK	OK	OK	OK					
Out																OK				

## Function

The DIVTIME instruction divides a time *In1* by a number *In2*. The result of division in *Out* is also a time.

The following example is for when *In1* is T#1d and *In2* is INT#2.



In1	T#1d
/	INT#2
Out=abc	T#12h

## Precautions for Correct Use

- If the value of *In2* is 0, positive infinity, negative infinity, or nonnumeric data, the value of *Out* is as shown below.

Value of <i>In2</i>	Value of <i>Out</i>	
	NX1P2	Other than the left.
0	T#0d_0h_0m_0s_1e-006	T#-106751d23h47m16.854775808s
$+\infty$	T#0s	T#0s
$-\infty$	T#0s	T#0s
Nonnumeric data	T#0s	T#-106751d23h47m16.854775808s

- If *In2* is a real number, there may be error of up to several nanoseconds.
- If *In2* is a real number, the division result is rounded to the nearest nanosecond.
- An error will occur in the following case. *ENO* will be FALSE, and *Out* will not change.
  - In2* is an integer with a value of 0.

## Rounding Off

The following table shows how values are rounded.

Value of fractional part	Description	Examples
Less than 0.5	The fractional part is truncated.	1.49 → 1
0.5	If the ones digit is an even number, the fractional part is truncated. If it is an odd number, the value is rounded up.	1.50 → 2 2.50 → 2
Greater than 0.5	The fractional part is rounded up.	1.51 → 2

# CONCAT\_DATE\_TOD

The CONCAT\_DATE\_TOD instruction combines a date and a time of day.

Instruction	Name	FB/ FUN	Graphic expression	ST expression
CONCAT_DATE_TOD	Concatenate Date and Time of Day	FUN		Out:=CONCAT_DATE_TOD(In1, In2);

## Variables

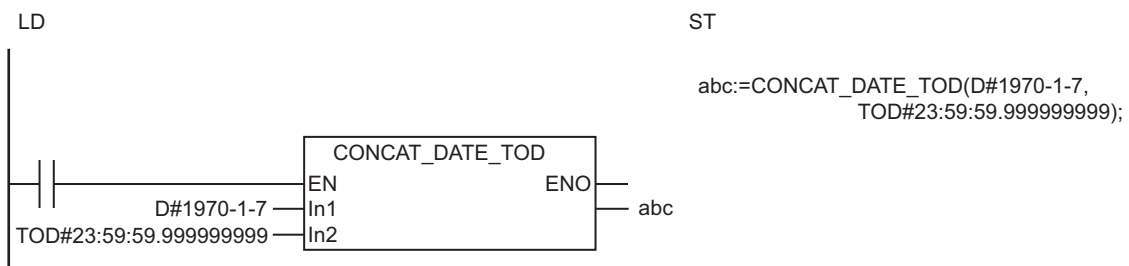
	Meaning	I/O	Description	Valid range	Unit	Default
In1	Date	Input	Date	Depends on data type.	Year, month, day	DT#1970-1-1
In2	Time of day		Time of day		Hour, minutes, seconds	TOD#0:0:0
Out	Combined date and time	Output	Combined date and time	Depends on data type.	Year, month, day, hour, minutes, seconds	---

	Boo lean	Bit strings					Integers							Real num bers		Times, durations, dates, and text strings				
	BOOL	BYTE	WORD	DWORD	LWORD	USINT	UINT	UDINT	ULINT	SINT	INT	DINT	LINT	REAL	LREAL	TIME	DATE	TOD	DT	STRING
In1																	OK			
In2																		OK		
Out																			OK	

## Function

The CONCAT\_DATE\_TOD instruction combines a date *In1* and a time of day *In2*. The result of combining in *Out* is also a date and time.

The following example is for when *In1* is D#1970-1-7 and *In2* is TOD#23:59:59.999999999.



In1	D#1970-1-7
+ In2	TOD#23:59:59.999999999
Out=abc	DT#1970-1-7-23:59:59.999999999

## Related System-defined Variables

Name	Meaning	Data type	Description
_CurrentTime	System Time of Day	DT	The time of day from the system clock. The number of seconds from 00:00:00 on January 1, 1970.

## Precautions for Correct Use

An error will occur in the following case. *ENO* will be FALSE, and *Out* will not change.

- The value of combined date and time exceeds the valid value range of *Out* (e.g., the value of *In1* is D#2554-7-21, and the value of *In2* is larger than TOD#23:34:33.709551615 when they exceed the valid range of *Out*).

# DT\_TO\_TOD

The DT\_TO\_TOD instruction extracts the time of day from a date and time.

Instruction	Name	FB/ FUN	Graphic expression	ST expression
DT_TO_TOD	Extract Time of Day from Date and Time	FUN		Out:=DT_TO_TOD(In);

## Variables

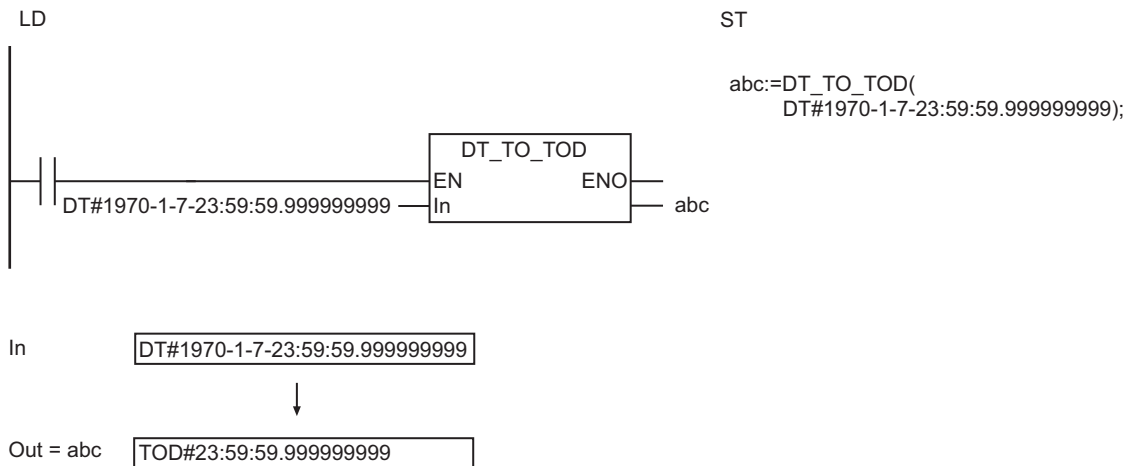
	Meaning	I/O	Description	Valid range	Unit	Default
In	Date and time	Input	Date and time	Depends on data type.	Year, month, day, hour, minutes, seconds	DT#1970-1-1-0:0:0
Out	Time of day	Output	Time of day	Depends on data type.	Hour, minutes, seconds	---

	Boo lean	Bit strings					Integers							Real numbers		Times, durations, dates, and text strings				
	BOOL	BYTE	WORD	DWORD	LWORD	USINT	UINT	UDINT	ULINT	SINT	INT	DINT	LINT	REAL	LREAL	TIME	DATE	TOD	DT	STRING
In																			OK	
Out																		OK		

## Function

The DT\_TO\_TOD instruction extracts the time of day from date and time *In*.

The following example is for when *In* is DT#1970-1-7-23:59:59.999999999.



**Related System-defined Variables**

Name	Meaning	Data type	Description
_CurrentTime	System Time of Day	DT	The time of day from the system clock. The number of seconds from 00:00:00 on January 1, 1970.

# DT\_TO\_DATE

The DT\_TO\_DATE instruction extracts the date from a date and time.

Instruction	Name	FB/ FUN	Graphic expression	ST expression
DT_TO_DATE	Extract Date from Date and Time	FUN		Out:=DT_TO_DATE(In);

## Variables

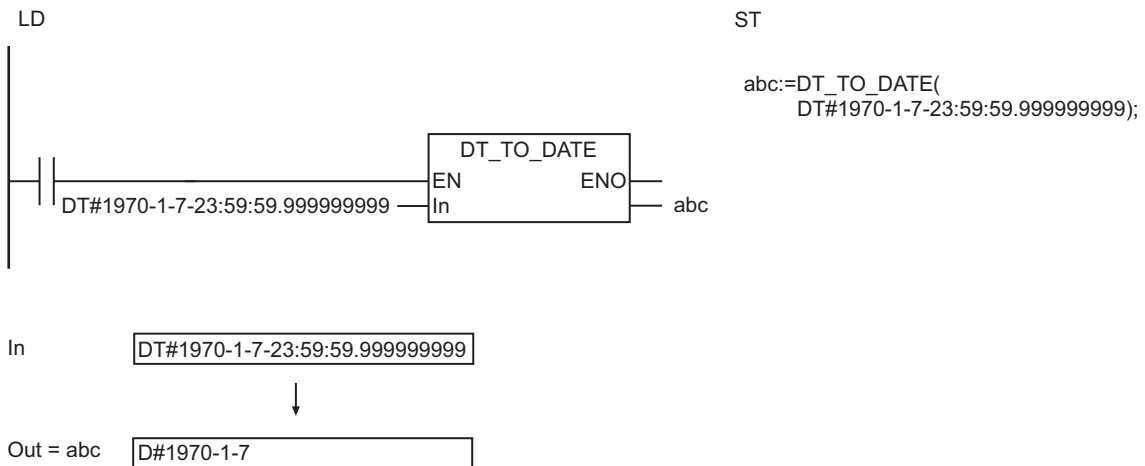
	Meaning	I/O	Description	Valid range	Unit	Default
In	Date and time	Input	Date and time	Depends on data type.	Year, month, day, hour, minutes, seconds	DT#1970-1-1-0:0:0
Out	Date	Output	Date	Depends on data type.	Year, month, day	---

	Boo lean	Bit strings					Integers							Real numbers		Times, durations, dates, and text strings				
	BOOL	BYTE	WORD	DWORD	LWORD	USINT	UINT	UDINT	ULINT	SINT	INT	DINT	LINT	REAL	LREAL	TIME	DATE	TOD	DT	STRING
In																			OK	
Out																OK				

## Function

The DT\_TO\_DATE instruction extracts the date from date and time *In*.

The following example is for when *In* is DT#1970-1-7-23:59:59.999999999.





**Related System-defined Variables**

Name	Meaning	Data type	Description
_CurrentTime	System Time of Day	DT	The time of day from the system clock. The number of seconds from 00:00:00 on January 1, 1970.

# SetTime

The SetTime instruction sets the system time.

Instruction	Name	FB/ FUN	Graphic expression	ST expression
SetTime	Set Time	FUN		SetTime(In);

## Variables

	Meaning	I/O	Description	Valid range	Unit	Default
In	Time data	Input	Current time to set system time	*1	Year, month, day, hour, minutes, seconds	DT#1970-1-1-0:0:0
Out	Return value	Output	Always TRUE	TRUE only	---	---

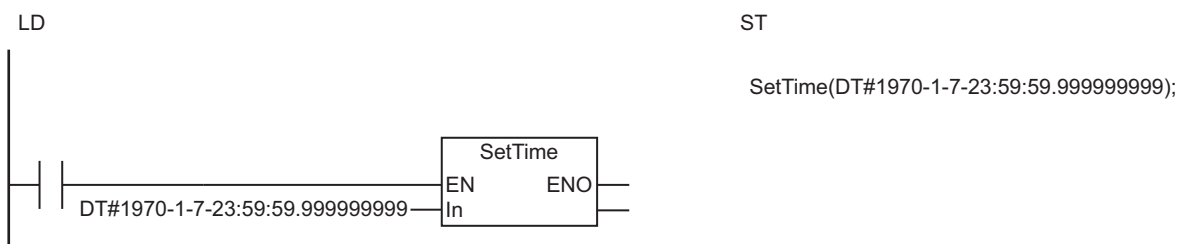
- \*1. The valid range is for any of the following GMTs (Greenwich Mean Times).  
 The valid range for an NX-series CPU Unit is DT#1970-01-01-00:00:00.000000000 to DT#2069-12-31-23:59:59.999999999 (0:00:000000000 on January 1, 1970 to 23:59:59.999999999 on December 31, 2069).  
 The valid range for an NJ-series CPU Unit is DT#1970-01-01-00:00:00.000000000 to DT#2106-02-06-23:59:59.999999999 (0:00:000000000 on January 1, 1970 to 23:59:59.999999999 on February 6, 2106).

	Boo lean	Bit strings					Integers							Real numbers		Times, durations, dates, and text strings				
	BOOL	BYTE	WORD	DWORD	LWORD	USINT	UINT	UDINT	ULINT	SINT	INT	DINT	LINT	REAL	LREAL	TIME	DATE	TOD	DT	STRING
In																			OK	
Out	OK																			

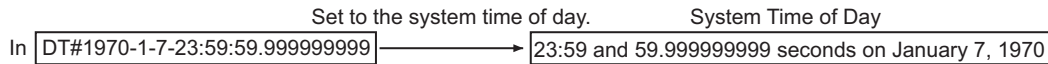
## Function

The SetTime instruction sets the system time to date and time *In*.

The following programming example is for when *In* is DT#1970-1-7:23:59:59.999999999.



The SetTime instruction sets the value of *In* to the system time of day.



## Related System-defined Variables

Name	Meaning	Data type	Description
_CurrentTime	System Time of Day	DT	The time of day from the system clock. The number of seconds from 00:00:00 on January 1, 1970.

## Additional Information

The following methods can also be used to set the system time.

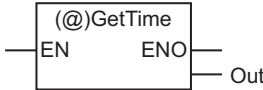
- Sysmac Studio
- NTP function

## Precautions for Correct Use

- For *In*, specify the time for the set time zone (do not specify Greenwich mean time (GMT)).
- You cannot set *In* with a time that is lower than 1970-1-1-0:0:0.000000000 GMT.
- A time lag will occur when updating the internal time. If the time is read immediately after executing this instruction, the old time may be read.
- Return value *Out* is not used when this instruction is used in ST.
- An error will occur in the following cases. *ENO* will be FALSE, and *Out* will not change.
  - a) The value of *In* is outside the valid range.
  - b) The value of *In* is below 1970-1-1-0:0:0.000000000 GMT.

# GetTime

The GetTime instruction reads the current time.

Instruction	Name	FB/ FUN	Graphic expression	ST expression
GetTime	Get Time of Day	FUN		Out:=GetTime();

## Variables

	Meaning	I/O	Description	Valid range	Unit	Default
Out	Current time	Output	Current time	*1	Year, month, day, hour, minutes, seconds	---

- \*1. The valid range is for any of the following GMTs (Greenwich Mean Times).  
 The valid range for an NX-series CPU Unit is DT#1970-01-01-00:00:00.000000000 to DT#2069-12-31-23:59:59.999999999 (0:00:000000000 on January 1, 1970 to 23:59:59.999999999 on December 31, 2069).  
 The valid range for an NJ-series CPU Unit is DT#1970-01-01-00:00:00.000000000 to DT#2106-02-06-23:59:59.999999999 (0:00:000000000 on January 1, 1970 to 23:59:59.999999999 on February 6, 2106).

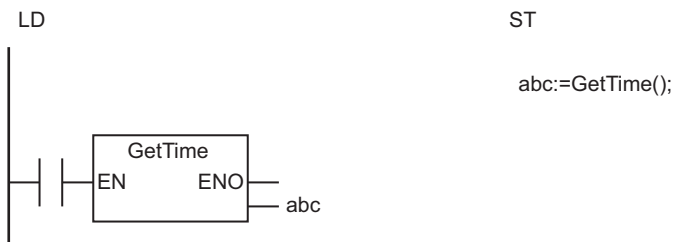
	Boo lean	Bit strings					Integers							Real numbers		Times, durations, dates, and text strings				
	BOOL	BYTE	WORD	DWORD	LWORD	USINT	UINT	UDINT	ULINT	SINT	INT	DINT	LINT	REAL	LREAL	TIME	DATE	TOD	DT	STRING
Out																			OK	

## Function

The GetTime instruction reads the current time.

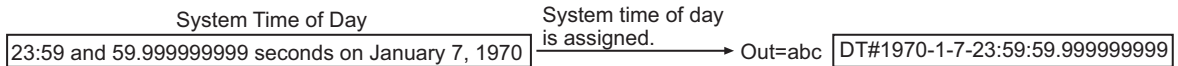
The current time of day is the time for the set time zone (not Greenwich mean time (GMT)).

The following figure shows a programming example. The current time is assigned to variable *abc*.



The GetTime instruction assigns the current time to **abc**.

For 23:59 and 59.999999999 seconds on January 7, 1970



## Related System-defined Variables

Name	Meaning	Data type	Description
_CurrentTime	System Time of Day	DT	The time of day from the system clock. The number of seconds from 00:00:00 on January 1, 1970.

## Additional Information

- Use the instruction, *DtToSec* on page 2-668, to convert the current time of day to the system time of day (number of seconds from 00:00:00 on January 1, 1970).
- Use the instruction, *DtToDateStruct* on page 2-696, to convert the current time of day to a date (year, month, day, minutes, and seconds).
- Use the instruction, *GetDayOfWeek* on page 2-692, to read the day of the week.

# DtToSec

The DtToSec instruction converts a date and time to the number of seconds from 00:00:00 on January 1, 1970.

Instruction	Name	FB/ FUN	Graphic expression	ST expression
DtToSec	Convert Date and Time to Seconds	FUN		Out:=DtToSec(In);

## Variables

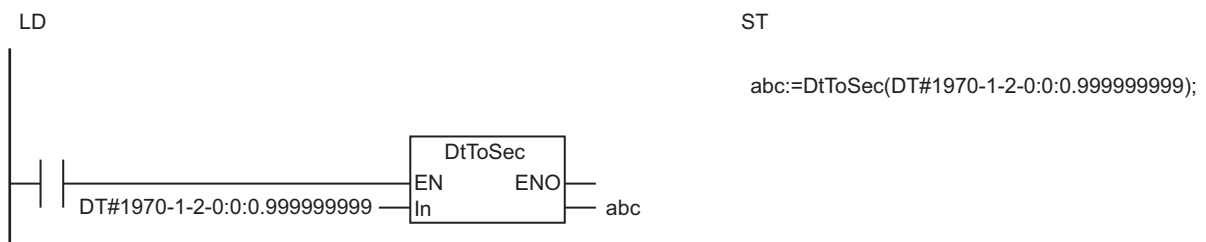
	Meaning	I/O	Description	Valid range	Unit	Default
In	Date and time	Input	Date and time	Depends on data type.	Year, month, day, hour, minutes, seconds	DT#1970-1-1-0:0:0
Out	Seconds	Output	Number of seconds from 00:00:00 on January 1, 1970	0 to 18446744073	Seconds	---

	Boo lean	Bit strings					Integers							Real numbers		Times, durations, dates, and text strings				
	BOOL	BYTE	WORD	DWORD	LWORD	USINT	UINT	UDINT	ULINT	SINT	INT	DINT	LINT	REAL	LREAL	TIME	DATE	TOD	DT	STRING
In																			OK	
Out													OK							

## Function

The DtToSec instruction converts the date and time in *In* to the number of seconds from 00:00:00 on January 1, 1970. The converted value is in seconds. The value is truncated below the seconds.

The following example is for when *In* is DT#1970-1-2-0:0:0.999999999.



In	DT#1970-1-2-0:0:0.999999999
-	DT#1970-1-1-0:0:0.000000000
Out = abc	LINT#86400

s

## Related System-defined Variables

Name	Meaning	Data type	Description
_CurrentTime	System Time of Day	DT	The time of day from the system clock. The number of seconds from 00:00:00 on January 1, 1970.

## Additional Information

Use the instruction, *SecToDt* on page 2-674, to convert the number of seconds from 00:00:00 on January 1, 1970 to a date and time.





## Additional Information

Use the instruction, *SecToDate* on page 2-676, to convert the number of seconds from 00:00:00 on January 1, 1970 to a date.

# TodToSec

The TodToSec instruction converts a time of day to the number of seconds from 00:00:00.

Instruction	Name	FB/ FUN	Graphic expression	ST expression
TodToSec	Convert Time of Day to Seconds	FUN		Out:=TodToSec(In);

## Variables

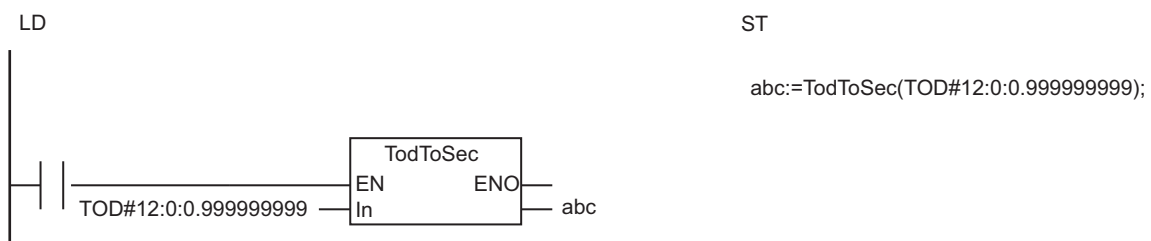
	Meaning	I/O	Description	Valid range	Unit	Default
In	Time of day	Input	Time of day	Depends on data type.	Hour, minutes, seconds	TOD#0:0:0
Out	Seconds	Output	Number of seconds from 00:00:00	0 to 86399	Seconds	---

	Boo lean	Bit strings					Integers							Real numbers		Times, durations, dates, and text strings				
	BOOL	BYTE	WORD	DWORD	LWORD	USINT	UINT	UDINT	ULINT	SINT	INT	DINT	LINT	REAL	LREAL	TIME	DATE	TOD	DT	STRING
In																		OK		
Out													OK							

## Function

The TodToSec instruction converts the time of day in *In* to the number of seconds from 00:00:00. The converted value is in seconds. The value is truncated below the seconds.

The following example is for when *In* is TOD#12:0:0.999999999.



In	TOD#12:0:0.999999999
-	TOD#0:0:0.000000000
Out = abc	LINT#43200 s

## Additional Information

Use the instruction, *SecToTod* on page 2-678, to convert the number of seconds from 00:00:00 to a time of day.



$$\begin{array}{r}
 \boxed{\text{DT\#1970-1-1-0:0:0.000000000}} \\
 + \quad \text{In} \quad \boxed{\text{LINT\#86400}} \text{ s} \\
 \hline
 \text{Out = abc} \quad \boxed{\text{DT\#1970-1-2-0:0:0.000000000}}
 \end{array}$$

## Related System-defined Variables

Name	Meaning	Data type	Description
_CurrentTime	System Time of Day	DT	The time of day from the system clock. The number of seconds from 00:00:00 on January 1, 1970.

## Additional Information

Use the instruction, *DtToSec* on page 2-668, to convert the current time of day to the number of seconds from 00:00:00 on January 1, 1970.

## Precautions for Correct Use

An error will occur in the following case. *ENO* will be FALSE, and *Out* will not change.

- The value of *In* is outside the valid range.



## Additional Information

Use the instruction, *DateToSec* on page 2-670, to convert a date to the number of seconds from 00:00:00 on January 1, 1970.


## Precautions for Correct Use

An error will occur in the following case. *ENO* will be FALSE, and *Out* will not change.

- The value of *In* is outside the valid range.

# SecToTod

The SecToTod instruction converts the number of seconds from 00:00:00 to a time of day.

Instruction	Name	FB/ FUN	Graphic expression	ST expression
SecToTod	Convert Sec- onds to Time of Day	FUN		Out:=SecToTod(In);

## Variables

	Meaning	I/O	Description	Valid range	Unit	Default
In	Seconds	Input	Number of seconds from 00:00:00	Depends on data type.*1	Seconds	0
Out	Time of day	Output	Time of day	Depends on data type.	Hour, minutes, seconds	--

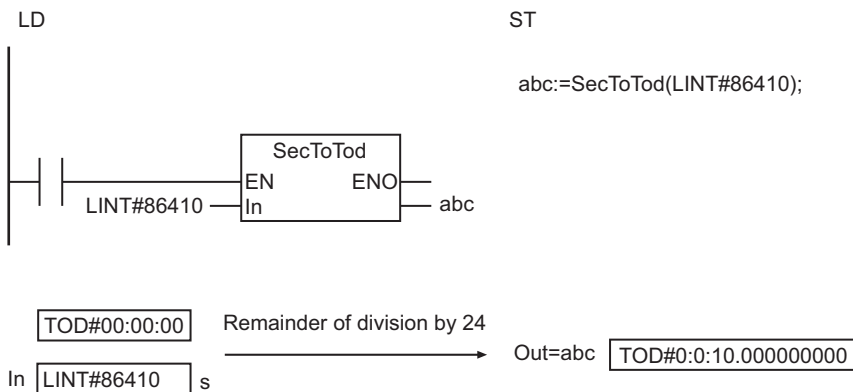
\*1. Negative numbers are excluded.

	Boo lean	Bit strings					Integers							Real num- bers		Times, durations, dates, and text strings				
	BOOL	BYTE	WORD	DWORD	LWORD	USINT	UINT	UDINT	ULINT	SINT	INT	DINT	LINT	REAL	LREAL	TIME	DATE	TOD	DT	STRING
In													OK							
Out																		OK		

## Function

The SecToTod instruction converts the number of seconds from 00:00:00 in *In* to a time of day. If the value of *In* is 24 hours or longer, *In* is divided by 24 and the remainder is converted to the time of day.

The following example is for when *In* is LINT#86410.





## Additional Information

Use the instruction, *TodToSec* on page 2-672, to convert a time of day to the number of seconds from 00:00:00.

## Precautions for Correct Use

An error will occur in the following case. *ENO* will be FALSE, and *Out* will not change.

- The value of *In* is outside the valid range.

# TimeToNanoSec

The TimeToNanoSec instruction converts a time to nanoseconds.

Instruction	Name	FB/ FUN	Graphic expression	ST expression
TimeToNanoSec	Convert Time to Nanoseconds	FUN		Out:=TimeToNanoSec(In);

## Variables

	Meaning	I/O	Description	Valid range	Unit	Default
In	Time	Input	Time	Depends on data type.	ns	T#0s
Out	Nanoseconds	Output	Nanoseconds	*1	ns	---

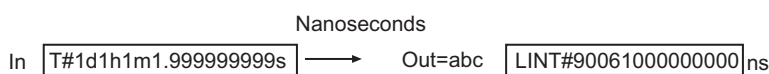
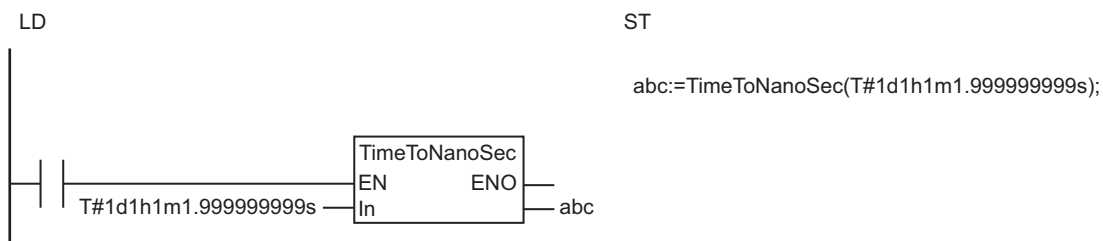
\*1. -9223372036854775808 to 9223372036854775807

	Boo lean	Bit strings					Integers							Real num- bers		Times, durations, dates, and text strings				
	BOOL	BYTE	WORD	DWORD	LWORD	USINT	UINT	UDINT	ULINT	SINT	INT	DINT	LINT	REAL	LREAL	TIME	DATE	TOD	DT	STRING
In																OK				
Out													OK							

## Function

The TimeToNanoSec instruction converts the time in *In* to nanoseconds.

The following example is for when *In* is T#1d1h1m1.999999999s.



## Additional Information

Use the instruction, *NanoSecToTime* on page 2-683, to convert nanoseconds to a time.

# TimeToSec

The TimeToSec instruction converts a time to seconds.

Instruction	Name	FB/ FUN	Graphic expression	ST expression
TimeToSec	Convert Time to Seconds	FUN		Out:=TimeToSec(In);

## Variables

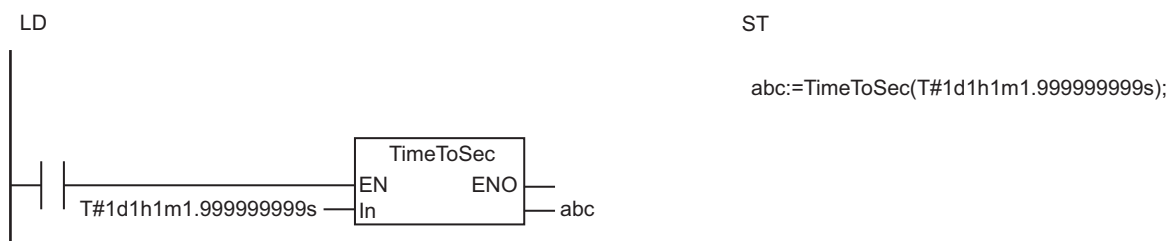
	Meaning	I/O	Description	Valid range	Unit	Default
In	Time	Input	Time	Depends on data type.	ns	T#0s
Out	Seconds	Output	Seconds	-9223372036 to 9223372036	Seconds	---

	Boo lean	Bit strings					Integers							Real numbers		Times, durations, dates, and text strings				
	BOOL	BYTE	WORD	DWORD	LWORD	USINT	UINT	UDINT	ULINT	SINT	INT	DINT	LINT	REAL	LREAL	TIME	DATE	TOD	DT	STRING
In																OK				
Out													OK							

## Function

The TimeToSec instruction converts the time in *In* to seconds. The value is truncated below the seconds.

The following example is for when *In* is T#1d1h1m1.999999999s.



In T#1d1h1m1.999999999s  $\xrightarrow{\text{Seconds}}$  Out=abc LINT#90061s

## Additional Information

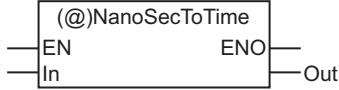
Use the instruction, *SecToTime* on page 2-684, to convert seconds to a time.

## Precautions for Correct Use

*In* is in nanoseconds. *Out* is in seconds.

# NanoSecToTime

The NanoSecToTime instruction converts nanoseconds to a time.

Instruction	Name	FB/ FUN	Graphic expression	ST expression
NanoSecToTime	Convert Nano-seconds to Time	FUN		Out:=NanoSecToTime(In);

## Variables

	Meaning	I/O	Description	Valid range	Unit	Default
In	Nanoseconds	Input	Nanoseconds	*1	ns	0
Out	Time	Output	Time	Depends on data type.	ns	---

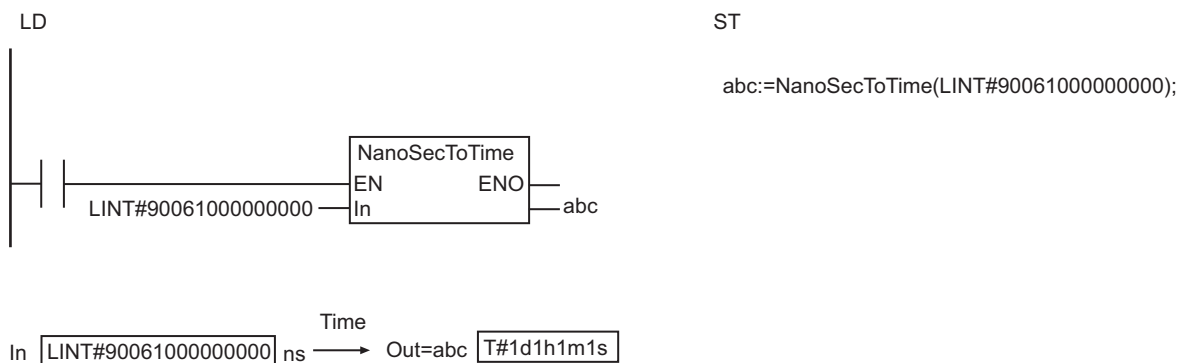
\*1. -9223372036854775808 to 9223372036854775807

	Boo lean	Bit strings					Integers							Real numbers		Times, durations, dates, and text strings				
	BOOL	BYTE	WORD	DWORD	LWORD	USINT	UINT	UDINT	ULINT	SINT	INT	DINT	LINT	REAL	LREAL	TIME	DATE	TOD	DT	STRING
In													OK							
Out																OK				

## Function

The NanoSecToTime instruction converts the number of nanoseconds in *In* to a time.

The following example is for when *In* is LINT#90061000000000.



## Additional Information

Use the instruction, *TimeToNanoSec* on page 2-680, to convert a time to nanoseconds.

# SecToTime

The SecToTime instruction converts seconds to a time.

Instruction	Name	FB/ FUN	Graphic expression	ST expression
SecToTime	Convert Seconds to Time	FUN		Out:=SecToTime(In);

## Variables

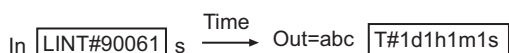
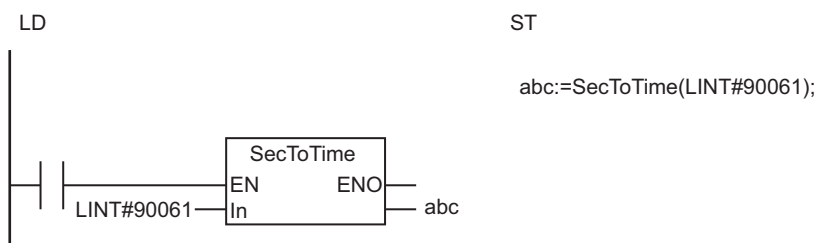
	Meaning	I/O	Description	Valid range	Unit	Default
In	Seconds	Input	Seconds	-9223372036 to 9223372036	Seconds	0
Out	Time	Output	Time	Depends on data type.	ns	---

	Boo lean	Bit strings					Integers							Real numbers		Times, durations, dates, and text strings					
	BOOL	BYTE	WORD	DWORD	LWORD	USINT	UINT	UDINT	ULINT	SINT	INT	DINT	LINT	REAL	LREAL	TIME	DATE	TOD	DT	STRING	
In													OK								
Out																OK					

## Function

The SecToTime instruction converts the number of seconds in *In* to a time.

The following example is for when *In* is LINT#90061.



## Additional Information

Use the instruction, *TimeToSec* on page 2-681, to convert a time to seconds.

## Precautions for Correct Use

- *In* is in seconds. *Out* is in nanoseconds.
- An error will occur in the following case. *ENO* will be FALSE, and *Out* will not change.
  - a) The value of *In* is outside the valid range.





# GetDaysOfMonth

The GetDaysOfMonth instruction gets the number of days in a specified month.

Instruction	Name	FB/ FUN	Graphic expression	ST expression
GetDaysOf- Month	Get Days in Month	FUN		Out:=GetDaysOfMonth(Year, Month);

## Variables

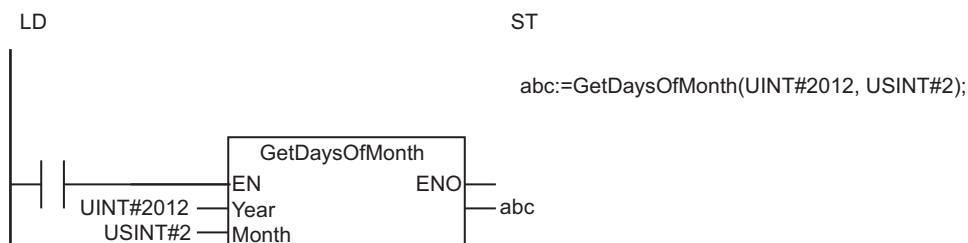
	Meaning	I/O	Description	Valid range	Unit	Default
Year	Year	Input	Year	1970 to 2554	Year	1970
Month	Month		Month	1 to 12	Month	1
Out	Days	Output	Days	28 to 31	Days	---

	Boo lean	Bit strings					Integers							Real num- bers		Times, durations, dates, and text strings				
	BOOL	BYTE	WORD	DWORD	LWORD	USINT	UINT	UDINT	ULINT	SINT	INT	DINT	LINT	REAL	LREAL	TIME	DATE	TOD	DT	STRING
Year							OK													
Month						OK														
Out						OK														

## Function

The GetDaysOfMonth instruction gets the number of days in month *Month* of year *Year*.

The following example is for when *Year* is UINT#2012 and *Month* is USINT#2.



## Precautions for Correct Use

- If the value of *Year* exceeds the valid range, an error will not occur and the value of *Out* will be an illegal value.
- An error will occur in the following case. *ENO* will be FALSE, and *Out* will not change.
  - a) The value of *Month* is outside the valid range.

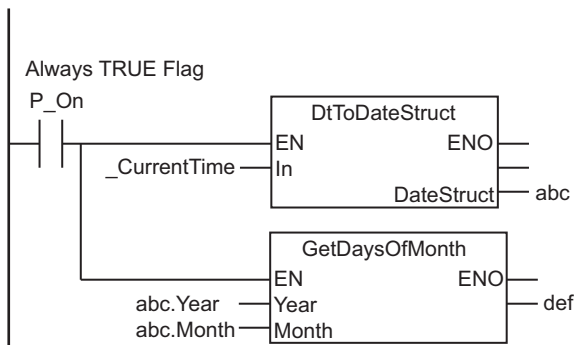
## Sample Programming

This sample gets the number of days in the current month.

### LD

Internal Variables	Variable	Data type	Initial value	Comment
	abc	_sDT	(Year:=0, Month:=0, Day:=0, Hour:=0, Min:=0, Sec:=0, NSec:=0)	Date and time
	def	USINT	0	Days in current month

External Variables	Variable	Data type	Constant	Comment
	_CurrentTime	DATE_AND_TIME	<input checked="" type="checkbox"/>	System Time of Day



### ST

Internal Variables	Variable	Data type	Initial value	Comment
	abc	_sDT	(Year:=0, Month:=0, Day:=0, Hour:=0, Min:=0, Sec:=0, NSec:=0)	Date and time
	def	USINT	0	Days in current month

External Variables	Variable	Data type	Constant	Comment
	_CurrentTime	DATE_AND_TIME	<input checked="" type="checkbox"/>	System Time of Day

```
DtToDateStruct(_CurrentTime, abc);  
def:=GetDaysOfMonth(abc.Year, abc.Month);
```

# DaysToMonth

The DaysToMonth instruction calculates the month based on the number of days from January 1.

Instruction	Name	FB/ FUN	Graphic expression	ST expression
DaysToMonth	Convert Days to Month	FUN		Out:=DaysToMonth(Year, Days);

## Variables

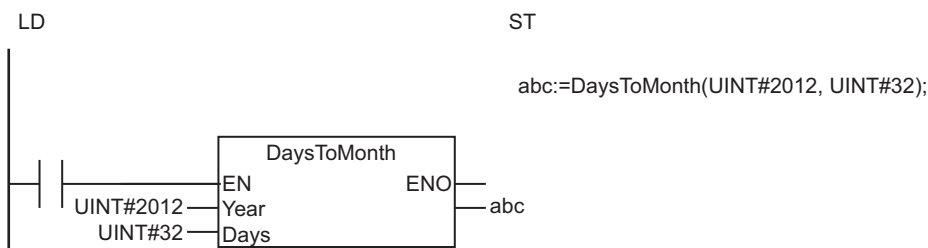
	Meaning	I/O	Description	Valid range	Unit	Default
Year	Year	Input	Year	1970 to 2554	Year	1970
Days	Days		Number of days from January 1	1 to 365 1 to 366 when Year is a leap year.	Days	1
Out	Month	Output	Month	1 to 12	Month	---

	Boo lean	Bit strings					Integers							Real num- bers		Times, durations, dates, and text strings				
	BOOL	BYTE	WORD	DWORD	LWORD	USINT	UINT	UDINT	ULINT	SINT	INT	DINT	LINT	REAL	LREAL	TIME	DATE	TOD	DT	STRING
Year							OK													
Days							OK													
Out						OK														

## Function

The DaysToMonth instruction calculates the month based on the number of days in *Days* from January 1 in year *Year*.

The following example is for when *Year* is UINT#2012 and *Days* is UINT#32.



## Precautions for Correct Use

- If the value of *Year* exceeds the valid range, an error will not occur and the value of *Out* will be an illegal value.
- An error will occur in the following case. *ENO* will be FALSE, and *Out* will not change.
  - a) The value of *Days* is outside the valid range.

# GetDayOfWeek

The GetDayOfWeek instruction gets the day of the week for a specified date (year, month, and day).

Instruction	Name	FB/ FUN	Graphic expression	ST expression
GetDayOf- Week	Get Day of Week	FUN		Out:=GetDayOfWeek(In);

## Variables

	Meaning	I/O	Description	Valid range	Unit	Default
In	Year, month, day	Input	Year, month, day	Depends on data type.	Year, month, day	*1
Out	Day of the week	Output	Day of the week	_MON, _TUE, _WED, _THU, _FRI, _SAT, _SUN	Day of the week	---

\*1. If you omit the input parameter, the default value is not applied. A building error will occur.

	Boo lean	Bit strings					Integers							Real num- bers		Times, durations, dates, and text strings				
	BOOL	BYTE	WORD	DWORD	LWORD	USINT	UINT	UDINT	ULINT	SINT	INT	DINT	LINT	REAL	LREAL	TIME	DATE	TOD	DT	STRING
In																OK			OK	
Out	Refer to <i>Function</i> on page 2-692 for the enumerators for the enumerated type <code>_eDAYOFWEEK</code> .																			

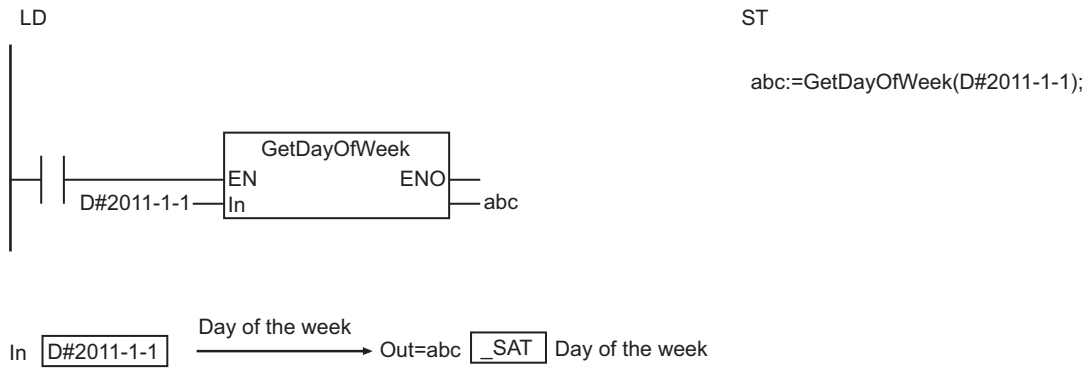
## Function

The GetDayOfWeek instruction gets the day of the week for the year, month, and day of month specified in *In*.

The data type of *Out* is enumerated type `_eDAYOFWEEK`. The meanings of the enumerators are as follows:

Enumerator	Meaning
<code>_MON</code>	Monday
<code>_TUE</code>	Tuesday
<code>_WED</code>	Wednesday
<code>_THU</code>	Thursday
<code>_FRI</code>	Friday
<code>_SAT</code>	Saturday
<code>_SUN</code>	Sunday

The following example is for when *In* is `D#2011-1-1`.



## Related System-defined Variables

Name	Meaning	Data type	Description
_CurrentTime	System Time of Day	DT	The time of day from the system clock. The number of seconds from 00:00:00 on January 1, 1970.





In  <sup>Week number</sup> → Out=abc Week

## Related System-defined Variables

Name	Meaning	Data type	Description
_CurrentTime	System Time of Day	DT	The time of day from the system clock. The number of seconds from 00:00:00 on January 1, 1970.

# DtToDateStruct

The DtToDateStruct instruction converts a date and time to the year, month, day, hour, minutes, seconds, and nanoseconds.

Instruction	Name	FB/ FUN	Graphic expression	ST expression
DtToDateStruct	Break Down Date and Time	FUN		Out:=DtToDateStruct(In, DateStruct);

## Variables

	Meaning	I/O	Description	Valid range	Unit	Default
In	Date and time	Input	Date and time	Depends on data type.	Year, month, day, hour, minutes, seconds	DT#197 0-1-1-0: 0:0
Out	Return value	Output	Always TRUE	TRUE only	---	---
DateStruct	Date and time		Date and time as a year, month, day, hour, minutes, seconds, and nanoseconds	---		

	Boo lean	Bit strings					Integers							Real num bers		Times, durations, dates, and text strings				
	BOOL	BYTE	WORD	DWORD	LWORD	USINT	UINT	UDINT	ULINT	SINT	INT	DINT	LINT	REAL	LREAL	TIME	DATE	TOD	DT	STRING
In																			OK	
Out	OK																			
DateStruct	Refer to <i>Function</i> on page 2-696 for details on the structure <code>_sDT</code> .																			

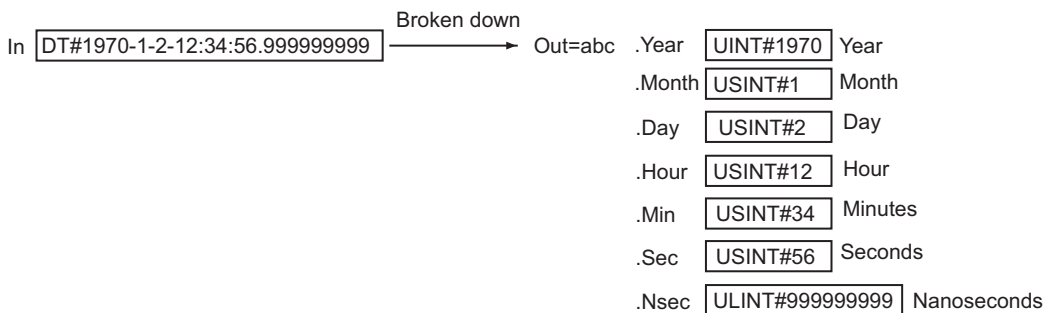
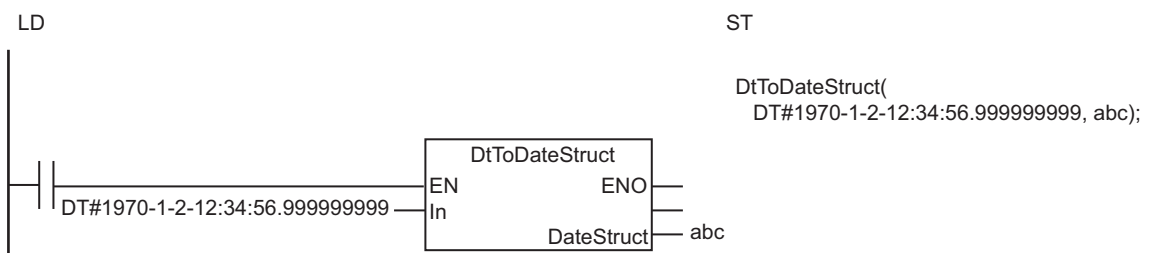
## Function

This instruction converts the date and time in *In* to the year, month, day, hour, minutes, seconds, and nanoseconds.

The data type of the output variable, *DateStruct*, is the structure `_sDT`. The meanings of the members are as follows:

Name	Meaning	Content	Data type	Valid range	Unit	Default
DateStruct	Date and time	Date and time as a year, month, day, hour, minutes, seconds, and nanoseconds	_sDT	---	---	---
Year	Year	Year	UINT	1970 to 2554	Year	---
Month	Month	Month	USINT	1 to 12	Month	
Day	Day	Day	USINT	1 to 31	Day	
Hour	Hour	Hour	USINT	0 to 23	Hour	
Min	Minutes	Minutes	USINT	0 to 59	Minutes	
Sec	Seconds	Seconds	USINT	0 to 59	Seconds	
Nsec	Nanoseconds	Nanoseconds	ULINT	0 to 999999999	Nanoseconds	

The following example is for when *In* is DT#1970-1-2-12:34:56.999999999.

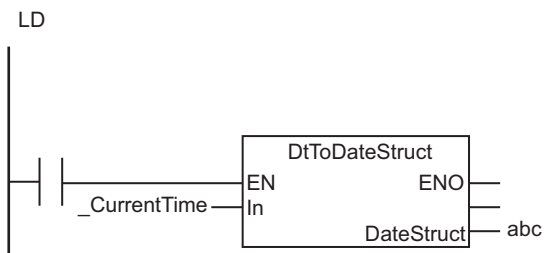


## Related System-defined Variables

Name	Meaning	Data type	Description
_CurrentTime	System Time of Day	DT	The time of day from the system clock. The number of seconds from 00:00:00 on January 1, 1970.

## Additional Information

- Use the instruction, *DateStructToDt* on page 2-699, to join a year, month, day, hour, minutes, seconds, and nanoseconds into a date and time.
- The following example shows how to find the current time of day.



ST

```
DtToDateStruct(_CurrentTime, abc);
```

### Precautions for Correct Use

Return value *Out* is not used when this instruction is used in ST.

# DateStructToDt

The DateStructToDt instruction joins a year, month, day, hour, minutes, seconds, and nanoseconds into a date and time.

Instruction	Name	FB/ FUN	Graphic expression	ST expression
DateStructToDt	Join Time	FUN		Out:=DateStructToDt(In);

## Variables

	Meaning	I/O	Description	Valid range	Unit	Default
In	Date and time	Input	Date and time as a year, month, day, hour, minutes, seconds, and nanoseconds	---	---	---
Out	Date and time	Output	Date and time	Depends on data type.	Year, month, day, hour, minutes, seconds	---

	Boo lean	Bit strings					Integers							Real num- bers		Times, durations, dates, and text strings				
	BOOL	BYTE	WORD	DWORD	LWORD	USINT	UINT	UDINT	ULINT	SINT	INT	DINT	LINT	REAL	LREAL	TIME	DATE	TOD	DT	STRING
In																				
Out																			OK	

## Function

The DateStructToDt instruction joins the year, month, day, hour, minutes, seconds, and nanoseconds in *In* into a date and time.

The data type of *In* is structure `_sDT`. The meanings of the members are as follows:



## Precautions for Correct Use

An error will occur in the following cases. *ENO* will be FALSE, and *Out* will not change.

- The value of a member of *In* is outside the valid range.
- The processing result exceeds the valid range of *Out*.

# TruncTime

The TruncTime instruction truncates a TIME variable to a specified time unit.

Instruction	Name	FB/ FUN	Graphic expression	ST expression
TruncTime	Truncate Time	FUN		Out:=TruncTime(In, Accuracy);



## Version Information

A CPU Unit with unit version 1.01 or later and Sysmac Studio version 1.02 or higher are required to use this instruction.

## Variables

	Meaning	I/O	Description	Valid range	Unit	Default
In	Time to truncate	Input	Time to truncate	Depends on data type.	ns	T#0s
Accuracy	Smallest unit after truncation		The smallest time unit to leave after truncation	_NANOSEC, _MICROSEC, _MILLISEC, _SEC	---	_NANOSEC
Out	Time after truncation	Output	Time after truncation	Depends on data type.	ns	---

	Boo lean	Bit strings				Integers							Real num- bers		Times, durations, dates, and text strings					
	BOOL	BYTE	WORD	DWORD	LWORD	USINT	UINT	UDINT	ULINT	SINT	INT	DINT	LINT	REAL	LREAL	TIME	DATE	TOD	DT	STRING
In																OK				
Accuracy	Refer to <i>Function</i> on page 2-702 for the enumerators of enumeration type _eSUBSEC.																			
Out																OK				

## Function

The TruncTime instruction truncates a time value *In* to the time unit of *Accuracy*. The resulting time value after truncation is stored in *Out*.

The data type of *Accuracy* is enumerated type \_eSUBSEC. The meanings of the enumerators are as follows:

Enumerator	Meaning
_NANOSEC	Nanoseconds
_MICROSEC	Microseconds





Variable	Enumerator	Comment
EXEC	1	Execution

● Global Variables

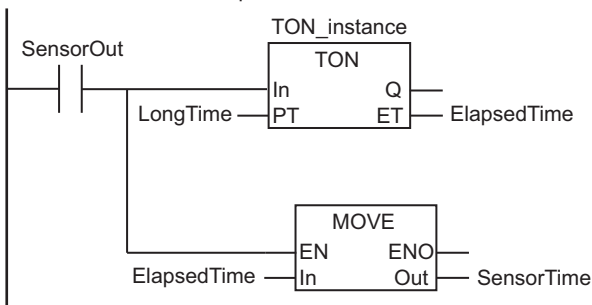
Variable	Data type	Initial value	Comment
RecentMode	Mode	SET	The current operation mode

LD

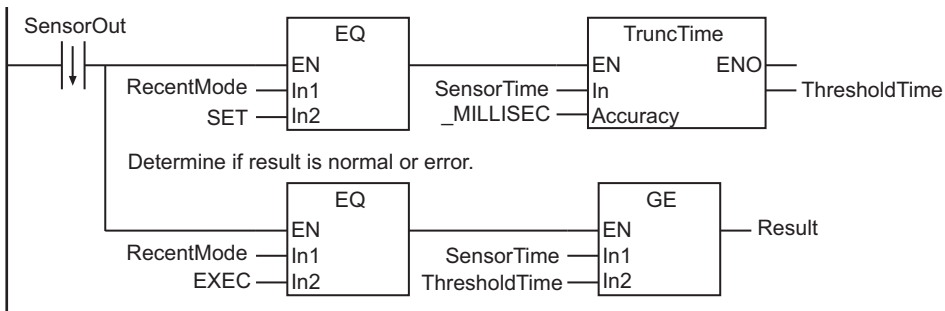
Internal Variables	Variable	Data type	Initial value	Comment
	SensorOut	BOOL	FALSE	Sensor output
	ElapsedTime	TIME	T#0s	Elapsed time
	SensorTime	TIME	T#0s	Sensor ON time
	LongTime	TIME	T#1h	A time that is sufficiently longer than the sensor ON time
	ThresholdTime	TIME	T#0s	Threshold
	Result	BOOL	FALSE	Result, TRUE: Normal, FALSE: Error
	TON_instance	TON		

External Variables	Variable	Data type	Comment
	RecentMode	Mode	The current operation mode

Measure the sensor output ON time.



Set the threshold.



## ST

Internal Variables	Variable	Data type	Initial value	Comment
	SensorOut	BOOL	FALSE	Sensor output
	ElapsedTime	TIME	T#0s	Elapsed time
	SensorTime	TIME	T#0s	Sensor ON time
	LongTime	TIME	T#1h	A time that is sufficiently longer than the sensor ON time
	SensorDone	BOOL	FALSE	Sensor output OFF flag
	ThresholdTime	TIME	T#0s	Threshold
	Result	BOOL	FALSE	Result, TRUE: Normal, FALSE: Error
	TON_instance	TON		
	F_TRIG_instance	F_TRIG		

External Variables	Variable	Data type	Comment
	RecentMode	Mode	The current operation mode

```
// Execute TON instruction.
TON_instance(
  In:=SensorOut, // Timer input
  PT:=LongTime, // Set time
  ET=>ElapsedTime); // Elapsed time

// Set sensor ON time to the elapsed time of TON.
IF (SensorOut=TRUE) THEN
  SensorTime:=ElapsedTime;
END_IF;

// Detect when sensor output turns OFF.
F_TRIG_instance(Clk:=SensorOut, Q=>SensorDone);
Result:=FALSE;

// Set the threshold.
IF (SensorDone=TRUE AND RecentMode=SET) THEN
  ThresholdTime:=TruncTime(
    In :=SensorTime,
    Accuracy:=_MILLISEC); // Accuracy is milliseconds.
// Determine if result is normal or error.
ELSIF (SensorDone=TRUE AND RecentMode=EXEC) THEN
  IF (SensorTime >= ThresholdTime) THEN
    Result:=TRUE;
  END_IF;
END_IF;
```

# TruncDt

The TruncDt instruction truncates a DT variable to a specified time unit.

Instruction	Name	FB/ FUN	Graphic expression	ST expression
TruncDt	Truncate Date and Time	FUN		Out:=TruncDt(In, Accuracy);



## Version Information

A CPU Unit with unit version 1.01 or later and Sysmac Studio version 1.02 or higher are required to use this instruction.

## Variables

	Meaning	I/O	Description	Valid range	Unit	Default
In	Date and time to truncate	Input	Date and time to truncate	Depends on data type.	Year, month, day, hour, minutes, seconds	DT#197 0-1-1-0: 0:0
Accuracy	Smallest unit after truncation		The smallest time unit to leave after truncation	_NANOSEC, _MICROSEC, _MILLISEC, _SEC	---	_NANO- SEC
Out	Date and time after truncation	Output	Date and time after truncation	Depends on data type.	Year, month, day, hour, minutes, seconds	---

	Boo lean	Bit strings				Integers							Real num- bers		Times, durations, dates, and text strings					
	BOOL	BYTE	WORD	DWORD	LWORD	USINT	UINT	UDINT	ULINT	SINT	INT	DINT	LINT	REAL	LREAL	TIME	DATE	TOD	DT	STRING
In																			OK	
Accuracy	Refer to <i>Function</i> on page 2-706 for the enumerators of enumeration type <code>_eSUBSEC</code> .																			
Out																			OK	

## Function

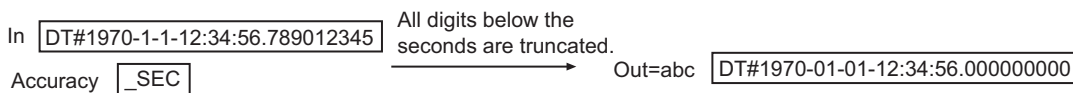
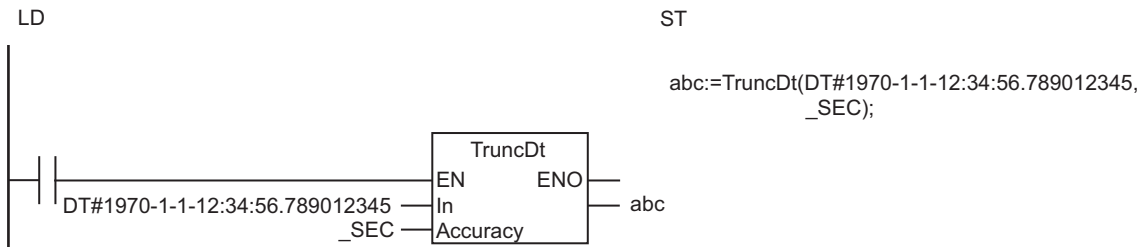
The TruncDt instruction truncates a date and time value *In* to the time unit of *Accuracy*. The resulting date and time value after truncation is stored in *Out*.

The data type of *Accuracy* is enumerated type `_eSUBSEC`. The meanings of the enumerators are as follows:

Enumerator	Meaning
<code>_NANOSEC</code>	Nanoseconds

Enumerator	Meaning
_MICROSEC	Microseconds
_MILLISEC	Milliseconds
_SEC	Seconds

The following example is for when *In* is DT#1970-1-1-12:34:56.789012345 and *Accuracy* is \_SEC.



## Additional Information

Before you compare two DT variables with *EQ* (=) on page 2-102 or other instructions, use this instruction to convert the two variables to the same accuracy.

## Sample Programming

The following programming example records the date and time and the current voltage when a sensor output turns ON.

The date and time is recorded in milliseconds.

The sensor output is stored in *SensorOut* and the voltage is stored in *Voltage*. The current date and time is obtained with the *GetTime* instruction.

The date and times and the voltages are stored in order in a *Stack* variable as *Recent* structures whose members are the date and time and corresponding voltage.

## Definitions of Global Variables

### ● Data Types

Variable	Data type	Comment
Record	STRUCT	Structure
DandT	DT	Date and time
Voltage	REAL	Voltage

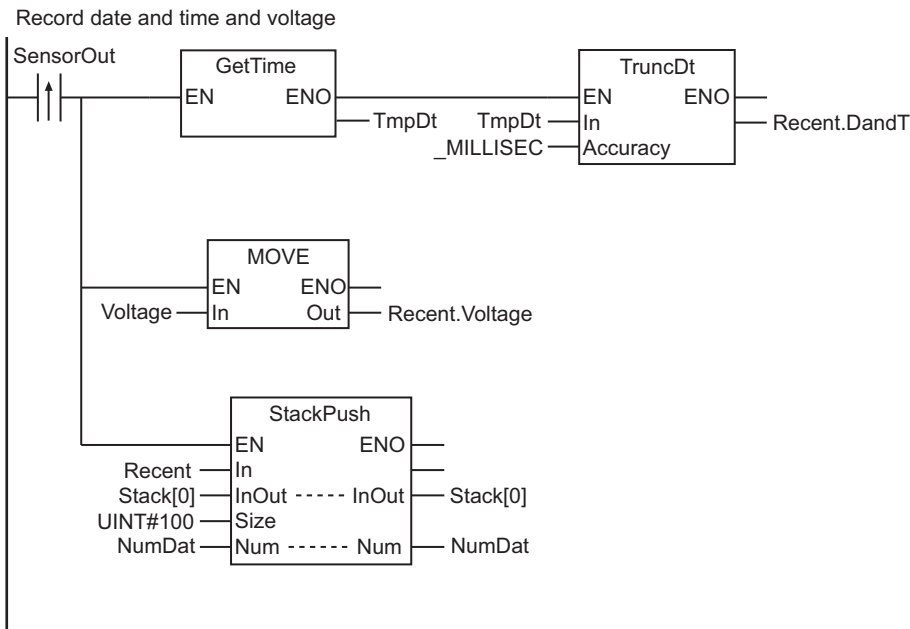
### ● Global Variables

Variable	Data type	Initial value	Comment
Recent	Record	(DandT:=DT#1970-1-1-0:0:0, Voltage:=0.0)	Present value
Stack	ARRAY[0..99] OF Record	[100((DandT:=DT#1970-1-1-0:0:0, Voltage:=0.0))]	Stack

## LD

Internal Variables	Variable	Data type	Initial value	Comment
	SensorOut	BOOL	FALSE	Sensor output
	TmpDt	DT	DT#1970-1-1-0:0:0	Temporary variable
	Voltage	REAL	0.0	Voltage
	NumDat	UINT	UINT#0	Current number of stored data

External Variables	Variable	Data type	Comment
	Recent	Record	Present value
	Stack	ARRAY[0..99] OF Record	Stack



## ST

Internal Variables	Variable	Data type	Initial value	Comment
	Trigger	BOOL	FALSE	Trigger
	SensorOut	BOOL	FALSE	Sensor output
	Voltage	REAL	0.0	Voltage
	NumDat	UINT	UINT#0	Current number of stored data
	R_TRIG_instance	R_TRIG		

External Variables	Variable	Data type	Comment
	Recent	Record	Present value

External Variables	Variable	Data type	Comment
	Stack	ARRAY[0..99] OF Record	Stack

```

// Activate trigger when sensor output turns ON.
R_TRIG_instance(SensorOut, Trigger);

IF (Trigger=TRUE) THEN
  // Store the current date and time down to the milliseconds.
  Recent.DandT:=TruncDt(
    In :=GetTime(), // Get the date and time.
    Accuracy:=_MILLISEC); // Accuracy is milliseconds.

  // Get current voltage.
  Recent.Voltage:=Voltage;

  // Record date and time and voltage in stack.
  StackPush(
    In :=Recent, // Date and time, and voltage
    InOut:=Stack[0], // Stack array
    Size :=UINT#100, // Number of stack array elements: 100
    Num :=NumDat); // Number of data currently stored
END_IF;

```

# TruncTod

The TruncTod instruction truncates a TOD variable to a specified time unit.

Instruction	Name	FB/ FUN	Graphic expression	ST expression
TruncTod	Truncate Time of Day	FUN		Out:=TruncTod(In, Accuracy);



## Version Information

A CPU Unit with unit version 1.01 or later and Sysmac Studio version 1.02 or higher are required to use this instruction.

## Variables

	Meaning	I/O	Description	Valid range	Unit	Default
In	Time of day to truncate	Input	Time of day to truncate	Depends on data type.	Hour, minutes, seconds	TOD#0: 0:0
Accuracy	Smallest unit after truncation		The smallest time unit to leave after truncation	_NANOSEC, _MICROSEC, _MILLISEC, _SEC	---	_NANOSEC
Out	Time of day after truncation	Output	Time of day after truncation	Depends on data type.	Hour, minutes, seconds	---

	Boo lean	Bit strings				Integers							Real numbers		Times, durations, dates, and text strings					
	BOOL	BYTE	WORD	DWORD	LWORD	USINT	UINT	UDINT	ULINT	SINT	INT	DINT	LINT	REAL	LREAL	TIME	DATE	TOD	DT	STRING
In																		OK		
Accuracy	Refer to <i>Function</i> on page 2-710 for the enumerators of enumeration type _eSUBSEC.																			
Out																		OK		

## Function

The TruncTod instruction truncates a time of day value *In* to the time unit of *Accuracy*. The resulting time of day value after truncation is stored in *Out*.

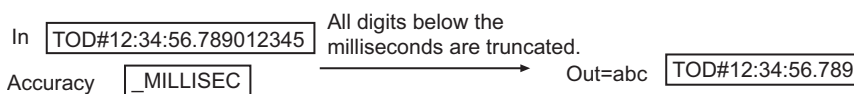
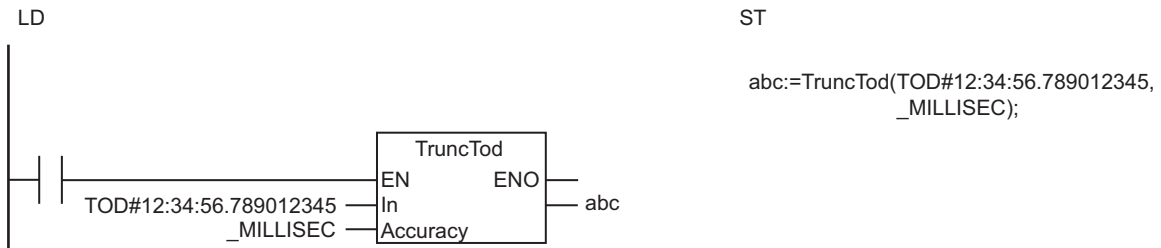
The data type of *Accuracy* is enumerated type \_eSUBSEC. The meanings of the enumerators are as follows:

Enumerator	Meaning
_NANOSEC	Nanoseconds
_MICROSEC	Microseconds



Enumerator	Meaning
_MILLISEC	Milliseconds
_SEC	Seconds

The following example is for when *In* is TOD#12:34:56.789012345 and *Accuracy* is \_MILLISEC.



## Additional Information

Before you compare two TOD variables with *EQ* (=) on page 2-102 or other instructions, use this instruction to convert the two variables to the same accuracy.

## Sample Programming

The following programming example records the time of day and the current voltage when a sensor output turns ON.

The time of day is recorded in seconds.

The sensor output is stored in *SensorOut* and the voltage is stored in *Voltage*. The current time of day is obtained with the *GetTime* and *DT\_TO\_TOD* instructions.

The times of day and the voltages are stored in order in a *Stack* variable as *Recent* structures whose members are the time of day and corresponding voltage.

## Definitions of Global Variables

### ● Data Types

Variable	Data type	Comment
Record	STRUCT	Structure
TofD	TOD	Time of day
Voltage	REAL	Voltage

### ● Global Variables

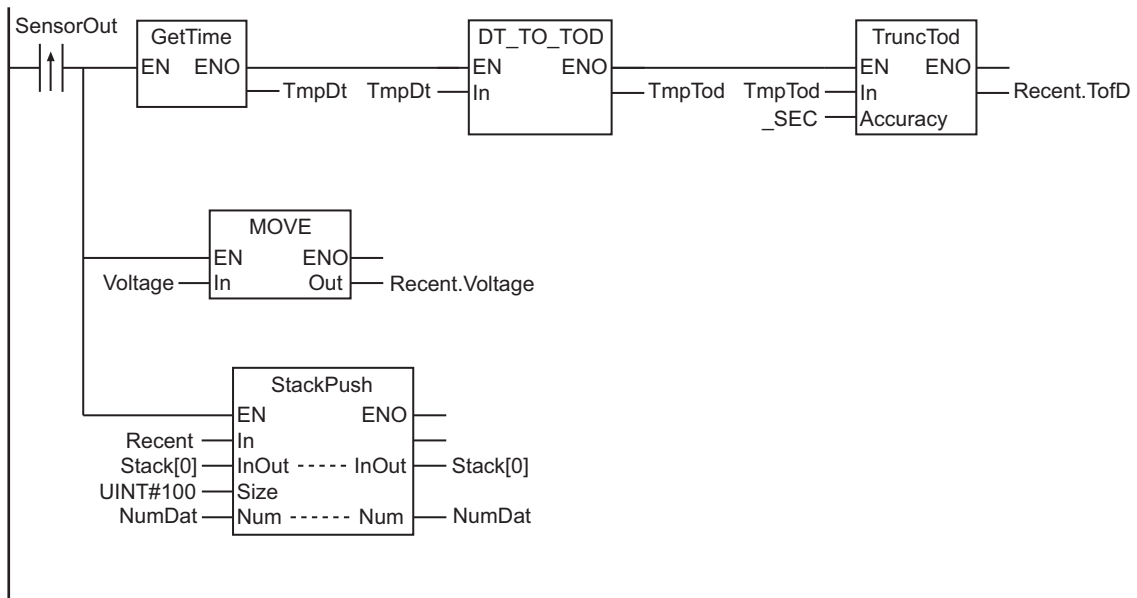
Variable	Data type	Initial value	Comment
Recent	Record	(TofD:=TOD#0:0:0, Voltage:=0.0)	Present value
Stack	ARRAY[0..99] OF Record	[100((TofD:=TOD#0:0:0, Voltage:=0.0))]	Stack

## LD

Internal Variables	Variable	Data type	Initial value	Comment
	SensorOut	BOOL	FALSE	Sensor output
	TmpDt	DT	DT#1970-1-1-0:0:0	Temporary variable
	TmpTod	TOD	TOD#0:0:0	Temporary variable
	Voltage	REAL	0.0	Voltage
	NumDat	UINT	UINT#0	Current number of stored data

External Variables	Variable	Data type	Comment
	Recent	Record	Present value
	Stack	ARRAY[0..99] OF Record	Stack

Record time of day and voltage



## ST

Internal Variables	Variable	Data type	Initial value	Comment
	Trigger	BOOL	FALSE	Trigger
	SensorOut	BOOL	FALSE	Sensor output
	TmpTod	TOD	TOD#0:0:0	Temporary variable
	Voltage	REAL	0.0	Voltage
	NumDat	UINT	UINT#0	Current number of stored data
	R_TRIG_instance	R_TRIG		

External Variables	Variable	Data type	Comment
	Recent	Record	Present value
	Stack	ARRAY[0..99] OF Record	Stack

```

// Activate trigger when sensor output turns ON.
R_TRIG_instance(SensorOut, Trigger);

IF (Trigger=TRUE) THEN
  // Store the current time of day down to the seconds.
  TmpTod :=DT_TO_TOD(GetTime()); // Get time of day.
  Recent.TofD:=TruncTod(
    In :=TmpTod,
    Accuracy:=_SEC); // Accuracy is seconds.

  // Get current voltage.
  Recent.Voltage:=Voltage;

  // Record time of day and voltage in stack.
  StackPush(
    In :=Recent, // Time of day and voltage
    InOut:=Stack[0], // Stack array
    Size :=UINT#100, // Number of stack array elements: 100
    Num :=NumDat); // Number of data currently stored
END_IF;

```



# Analog Control Instructions

Instruction	Name	Page
PIDAT	PID Control with Autotuning	page 2-716
PIDAT_HeatCool	Heating/Cooling PID with Autotuning	page 2-747
TimeProportionalOut	Time-proportional Output	page 2-785
LimitAlarm_**	Upper/Lower Limit Alarm Group	page 2-805
LimitAlarmDv_**	Upper/Lower Deviation Alarm Group	page 2-810
LimitAlarmDvStbySeq_**	Upper/Lower Deviation Alarm with Standby Sequence Group	page 2-815
ScaleTrans	Scale Transformation	page 2-833
AC_StepProgram	Step Program	page 2-836

# PIDAT

The PIDAT instruction performs PID control with autotuning (2-PID control with set point filter).

Instruction	Name	FB/ FUN	Graphic expression	ST expression
PIDAT	PID Control with Autotuning	FB		PIDAT_instance(Run, ManCtl, StartAT, PV, SP, OprSetParams, InitSetParams, ProportionalBand, IntegrationTime, DerivativeTime, ManMV, ATDone, ATBusy, Error, ErrorID, MV);

## Variables

	Meaning	I/O	Description	Valid range	Unit	Default
Run	Execution condition	Input	TRUE: Execute FALSE: Stop	Depends on data type.	---	FALSE
ManCtl	Manual/auto control		TRUE: Manual operation FALSE: Automatic operation			
StartAT	Autotuning execution condition		TRUE: Execute FALSE: Cancel			
PV	Process value		Process value	*1		0
SP	Set point		Set point			
OprSetParams	Operation setting parameters		Parameters set during operation			
InitSetParams	Initial setting parameters		Initial setting parameters			

	Meaning	I/O	Description	Valid range	Unit	Default
ProportionalBand	Proportional band	In-out	Proportional band	0.01 to 1000.00	% FS	---
Integration-Time	Integration time		Integration time The higher the value is, the weaker the integral action is. No integral action is performed for 0.	T#0.0000 s to T#10000.0000 s <sup>2</sup>	s	
Derivative-Time	Derivative time		Derivative time The higher the value is, the stronger the derivative action is. No derivative action is performed for 0.	T#0.0000 s to T#10000.0000 s <sup>2</sup>		
ManMV	Manual manipulated variable	Manual manipulated variable	-320 to 320	%		
ATDone	Autotuning normal completion	Output	TRUE: Normal completion FALSE: <sup>*3</sup>	Depends on data type.	---	---
ATBusy	Autotuning busy		TRUE: Autotuning FALSE: Not autotuning			
MV	Manipulated variable		Manipulated variable	-320 to 320	%	

- \*1. Value of input range lower limit *InitSetParams.RngLowLmt* to Value of input range upper limit *InitSetParams.RngUpLmt*
- \*2. The value is truncated to four decimal places.
- \*3. FALSE indicates an error end, that PID control is in progress without autotuning, or that PID control is not in progress.

	Boolean	Bit strings					Integers							Real numbers		Times, durations, dates, and text strings				
	BOOL	BYTE	WORD	DWORD	LWORD	USINT	UINT	UDINT	ULINT	SINT	INT	DINT	LINT	REAL	LREAL	TIME	DATE	TOD	DT	STRING
Run	OK																			
ManCtl	OK																			
StartAT	OK																			
PV														OK						
SP														OK						
OprSetParams	Refer to <i>Structure Specifications</i> on page 2-718 for details on the structure <i>_sOPR_SET_PARAMS</i> .																			
InitSetParams	Refer to <i>Structure Specifications</i> on page 2-718 for details on the structure <i>_sINIT_SET_PARAMS</i> .																			
ProportionalBand														OK						
Integration-Time																OK				
Derivative-Time																OK				
ManMV														OK						
ATDone	OK																			
ATBusy	OK																			
MV														OK						

### Function

The PIDAT instruction performs PID control of a manipulated variable for a temperature controller or other device.

PID control is started when the value of *Run* (execution condition) changes to TRUE. While the value of *Run* is TRUE, the following process cycle is repeated: process value *PV* is read, PID processing is performed, and manipulated variable *MV* is output.

PID control is stopped when the value of *Run* changes to FALSE.

Autotuning is supported to automatically find the optimum PID constants.

When the value of *StartAT* (autotuning execution condition) changes to TRUE, autotuning of the PID constants is executed.

### Structure Specifications

The data type of operation setting parameter **OprSetParams** is structure `_sOPR_SET_PARAMS`. The specifications are as follows:



Name	Meaning	Description	Data type	Valid range	Unit	Default
OprSetParams	Operation Setting Parameters	Parameters that are set during operation.	_sOPR_SET_PARAMS	---	---	---
MVLowLmt	MV Lower Limit	The lower limit of the MV.	REAL	-320 to 320* <sup>1</sup>	%	0
MVUpLmt	MV Upper Limit	The upper limit of the MV.	REAL			100
ManResetVal	Manual Reset Value	The value of MV when the deviation is 0 for the proportional action.	REAL	-320 to 320		0
MVTrackSw	MV Tracking Switch	TRUE: ON FALSE: OFF	BOOL	Depends on data type.	---	FALSE
MVTrackVal	MV Tracking Value	The value that is set in MV during MV tracking.	REAL	-320 to 320	%	0
StopMV	Stop MV	The value that is set in MV when instruction execution is stopped.	REAL			
ErrorMV	Error MV	The value that is set in MV when an error occurs.	REAL			
Alpha	2-PID parameter $\alpha$	Coefficient $\alpha$ of the set point filter. If this value is 0, the set point filter is disabled.	REAL	0.00 to 1.00		0.65
ATCalcGain	Autotuning Calculation Gain	Adjustment coefficient from autotuning results. Stability is given higher priority with higher values. The speed of response is given higher priority with lower values.	REAL	0.1 to 10.0	---	1.0
ATHystrs	Autotuning Hysteresis	The hysteresis of the limit cycle.	REAL		% FS	0.2

\*1. *MVLowLmt* must be less than *MVUpLmt*.

The data type of initial setting parameter **InitSetParams** is structure `_sINIT_SET_PARAMS`. The specifications are as follows:

Name	Meaning	Description	Data type	Valid range	Unit	Default
InitSetParams	Initial Setting Parameters	Initial setting parameters.	_sl-NIT_SET_PARAMETERS	---	---	---
SampTime	Sampling Period	The period for PID processing.	TIME	T#0.0001 s to #100.0000 s	s	T#0.1 s
RngLowLmt	Lower Limit of Input Range	The lower limit of <i>PV</i> and <i>SP</i> .	REAL	-32000 to 32000 <sup>*1</sup>	---	0
RngUpLmt	Upper Limit of Input Range	The upper limit of <i>PV</i> and <i>SP</i> .	REAL			100
DirOpr	Action Direction	TRUE: Forward action FALSE: Reverse action	BOOL	Depends on data type.		FALSE

\*1. *RngLowLmt* must be less than *RngUpLmt*.

## Meanings of Variables

The meanings of the variables that are used in this instruction are described below.

### ● Run (Execution Condition)

This is the execution condition for the instruction.

PID control is performed while the value is TRUE. PID control is stopped when the value changes to FALSE.

### ● ManCtl (Manual/Auto Control)

This instruction can be executed in one of two modes: Manual operation or automatic operation. The value of *ManCtl* determines which mode is used.

Value of <i>ManCtl</i>	Operation mode	Value of <i>MV</i>
TRUE	Manual	Value of <i>ManMV</i> (PID control is not performed.)
FALSE	Automatic	Value that is calculated for PID control

### ● StartAT (Autotuning Execution Condition)

This is the execution condition for autotuning the PID constants.

If the value of *StartAT* is TRUE when the value of *Run* changes to TRUE, autotuning is performed when PID control is started.

If the value of *StartAT* changes to TRUE during PID control (i.e., when the value of *Run* is TRUE), autotuning is performed during PID control.

In either case, autotuning is canceled if the value of *StartAT* changes to FALSE during autotuning. Refer to *Autotuning* on page 2-731 for information on autotuning.

### ● PV (Process Value)

This is the process value of the controlled system.

- **SP (Set Point)**

This is the set point for the controlled system.

- **MVLowLmt (MV Lower Limit) and MVUpLmt (MV Upper Limit)**

You can limit the value of *MV*.

*MVLowLmt* and *MVUpLmt* are the lower and upper limits to *MV*.

*MVLowLmt* must always be less than *MVUpLmt*.

MV from PID processing	Value of <i>MV</i>
Less than <i>MVLowLmt</i>	<i>MVLowLmt</i>
Between <i>MVLowLmt</i> and <i>MVUpLmt</i> , inclusive	Manipulated variable from PID processing
Greater than <i>MVUpLmt</i>	<i>MVUpLmt</i>

If stop *MV StopMV*, error *MV ErrorMV*, or manual *MV ManMV* is set in manipulated variable *MV*, limit control is not applied.

You can change *MVLowLmt* and *MVUpLmt* even if the control status of this instruction is not autotuning during automatic operation.

However, if you change *MVLowLmt* and *MVUpLmt* to an expansion direction during operation, the value of *MV* which is the same as the one in the last sampling period is output changed smoothly at this time (bumpless).

Repeated changing of *MVLowLmt* and *MVUpLmt* will affect the control performance, and sufficient control performance may not be obtained.

Confirm the effects on the control performance before you repeatedly change *MVLowLmt* or *MVUpLmt* during operation.

- **ManResetVal (Manual Reset Value)**

This is the value of *MV* when the deviation (i.e., the difference between *PV* and *SP*) is 0 for the proportional action.

The value of *ManResetVal* determines the location of the proportional action band.

When integral operation is performed, the manual reset value is ignored. Therefore, the setting of *ManResetVal* is enabled when the value of *IntegrationTime* is 0.

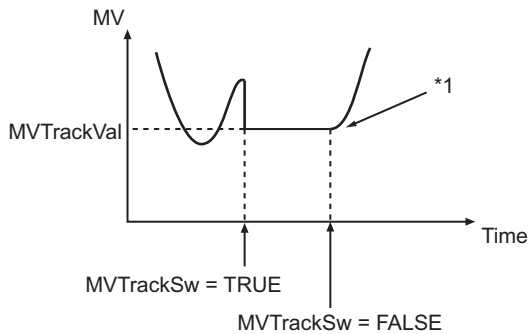
- **MVTrackSw (MV Tracking Switch)**

*MV* tracking is a function that sets the *MV* to an external input value (called the *MV* tracking value) during automatic operation.

*MV* tracking is performed while the value of *MVTrackSw* is TRUE.

When the value of *MVTrackSw* changes to FALSE, the value of *MV* takes on the value of *MVTrackVal* in that sampling cycle, then returns to the result of PID processing from the next sampling cycle.

This prevents the value of *MV* from changing abruptly.



\*1. The value of *MV* takes on the value of *MVTrackVal*.

### ● **MVTrackVal (MV Tracking Value)**

This is the value to which *MV* is set during MV tracking.

The value of *MVTrackVal* is limited by the values of *MVLowLmt* and *MVUpLmt*.

### ● **StopMV (Stop MV)**

This is the value to which *MV* is set when the value of *Run* changes to FALSE (i.e., when execution of this instruction is stopped).

### ● **ErrorMV (Error MV)**

This is the value to which *MV* is set when an error occurs (i.e., when the value of *Error* is TRUE).

If the value of *ErrorMV* is not within the valid range (-320 to 320), the value of *MV* will be 0 when an error occurs.

### ● **Alpha (2-PID Parameter $\alpha$ )**

This parameter determines the coefficient of the set point filter.

Refer to *2-PID Control with Set Point Filter* on page 2-729 for details.

Normally, set the value of *Alpha* to 0.65.

### ● **ATCalcGain (Autotuning Calculation Gain)**

This variable gives the coefficient of the PID constants that were calculated by autotuning when they are applied to the actual PID constants.

If a value of 1.00 is specified, the results of autotuning are used directly.

Increase the value of *ATCalcGain* to give priority to stability, and decrease it to give priority to quick response.

### ● **ATHystrs (Autotuning Hysteresis)**

This is the hysteresis that is used in the limit cycle for autotuning.

More accurate tuning is achieved if the value of *ATHystrs* is smaller. However, if the process value is not stable and proper autotuning is difficult, increase the value.

Refer to *Autotuning* on page 2-731 for details.

### ● **SampTime (Sampling Period)**

This is the minimum value of the period for PID processing.

Refer to *Execution Timing of PID Control* on page 2-732 for details.

PID processing is not executed if the elapsed time since the last execution is shorter than *SampTime*.

### ● RngLowLmt (Lower Limit of Input Range) and RngUpLmt (Upper Limit of Input Range)

These are the lower limit and upper limit of *PV* and *SP*.

An error will occur if the value of a parameter connected to *PV* or *SP* exceeds either of these limits.

*RngLowLmt* must always be less than *RngUpLmt*.

### ● DirOpr (Action Direction)

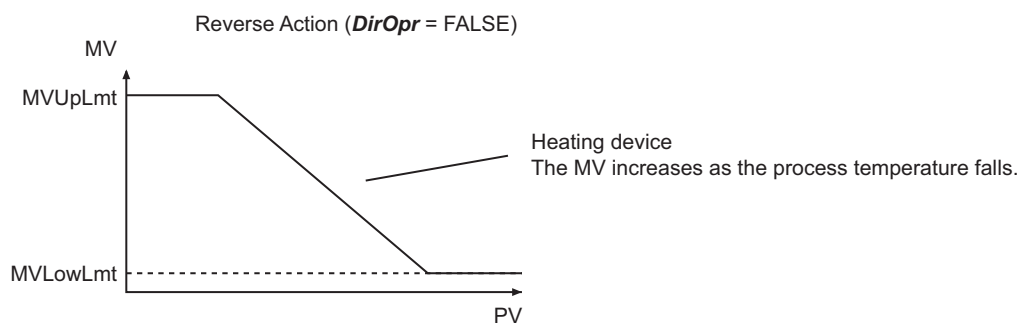
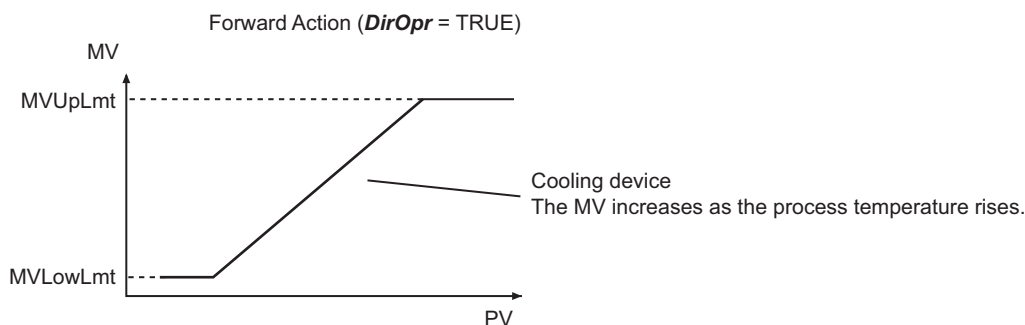
This variable specifies if *MV* is increased or decreased for changes in the value of *PV*.

These are called a forward action and a reverse action.

Value of <i>DirOpr</i>	Meaning	Value of <i>MV</i>
TRUE	Forward action	Increases with the value of <i>PV</i> .
FALSE	Reverse action	Decreases with the value of <i>PV</i> .

The difference between a forward action and reverse action are described here for temperature control.

A forward action is used to control the *MV* for a cooling device. That is, the higher the process temperature, the larger the *MV* of the cooling device must be. On the other hand, a reverse action is used to control the *MV* for a heating device. That is, the lower the process temperature, the larger the *MV* of the heating device must be.



### ● ProportionalBand (Proportional Band)

This is one of the three PID constants. Refer to *Proportional Action (P)* on page 2-725 for details.

The larger the *ProportionalBand* is, the greater the offset is. Hunting occurs if the *ProportionalBand* is too small.

### ● **IntegrationTime (Integration Time)**

This is one of the three PID constants. Refer to *Integral Action (I)* on page 2-727 for details. The larger the value of *IntegrationTime* is, the weaker the integral action is.

### ● **DerivativeTime (Derivative Time)**

This is one of the three PID constants. Refer to *Derivative Action (D)* on page 2-727 for details. The larger the value of *DerivativeTime* is, the stronger the derivative action is.

### ● **ManMV (Manual Manipulated Variable)**

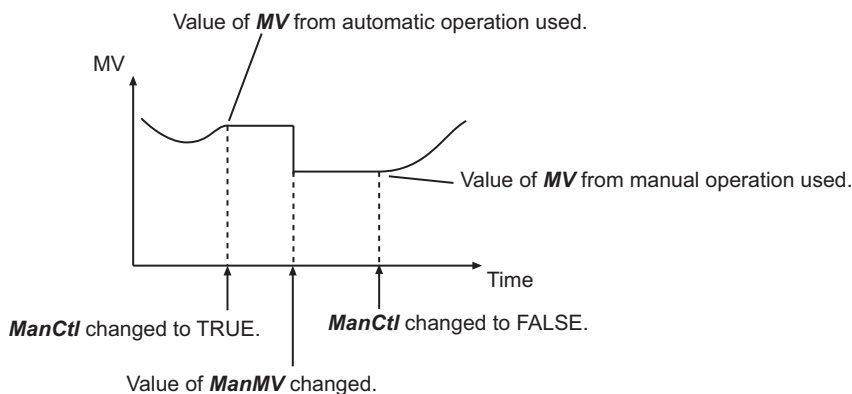
*MV* is set to this value during manual operation (while *ManCtl* is TRUE).

However, after the operation is switched from automatic to manual mode, the value of *MV* for the automatic operation is continuously applied.

*MV* is set to the value of *ManMV* only when the value of *ManMV* is changed after the operation is switched to manual mode.

When the operation is switched from manual to automatic mode, the value of *MV* for the manual operation is continuously applied.

The value of *ManMV* does not have to be between *MVLowLmt* and *MVUpLmt*.



### ● **ATDone (Autotuning Normal Completion)**

This flag indicates when autotuning was completed normally.

It changes to TRUE when autotuning is completed normally, and remains TRUE as long as the value of *StartAT* is TRUE.

It is FALSE in the following cases.

- An autotuning error end occurred.
- Autotuning is in progress (i.e., while the value of *ATBusy* is TRUE).
- PID control is in progress without autotuning.
- PID control is not in progress (i.e., the value of *Run* is FALSE).
- The value of *StartAT* is FALSE.

### ● **ATBusy (Autotuning Busy)**

This flag indicates when autotuning is in progress.

It is TRUE while autotuning is in progress. Otherwise it is FALSE.

## ● MV (Manipulated Variable)

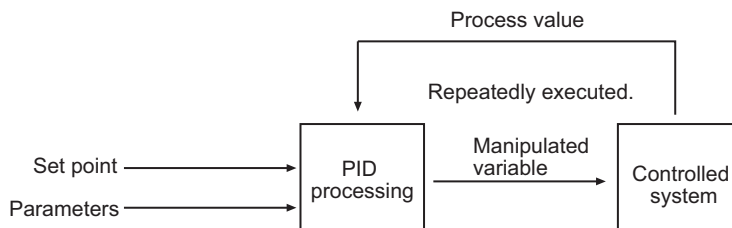
This is the manipulated variable that is applied to the controlled system.

## Introduction to PID Control

PID control is a feedback control method that repeatedly measures the process value of the controlled system and calculates a manipulated variable so that the process value approaches a set point.

This instruction therefore outputs a manipulated variable for the following inputs: process value, set point, and calculation parameters.

PID control periodically measures the process value, calculates the manipulated variable, and outputs the manipulated variable so that the process value approaches the set point.



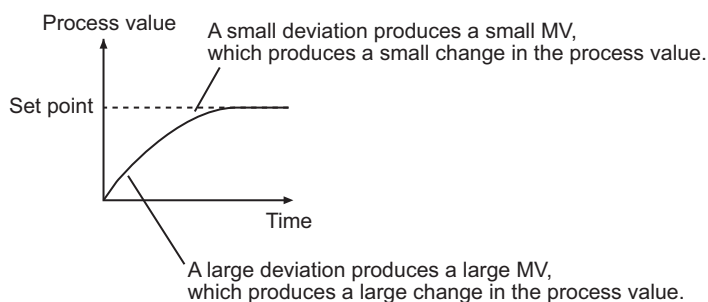
## Proportional (P), Integral (I), and Derivative (D) Actions

PID control is performed by combining the proportional action, integral action, and derivative action.

### ● Proportional Action (P)

The proportional action increases the absolute value of the manipulated variable in proportion to the deviation between the process value and the set point.

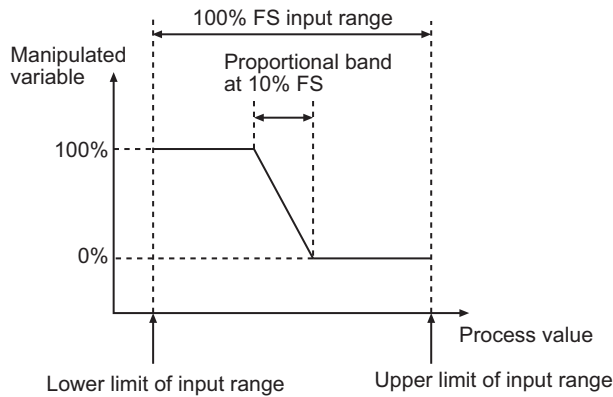
The process value of the controlled system changes as shown below.



The proportional band is one of the settings that are used for the proportional action.

The proportional band is the range of the process value to which the proportional action is applied. If the process value is not in the proportional band, the manipulated variable is set to 100% or 0%.

The proportional band is expressed as the percentage of the input range in which to perform the proportional action (% FS). The following diagram shows the proportional band set to 10% FS.



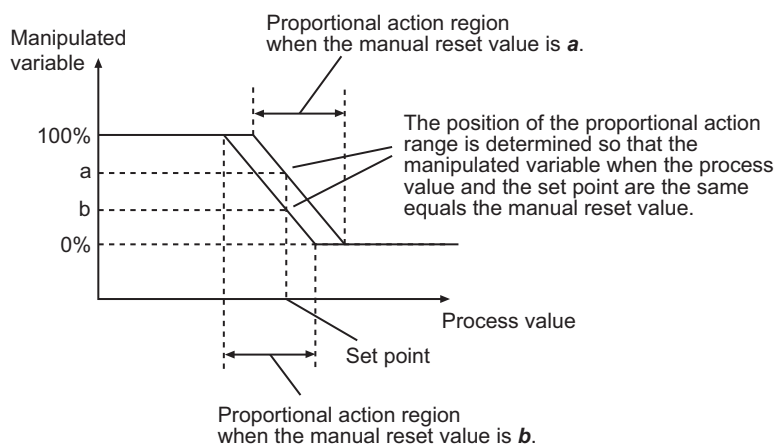
Another parameter for the proportional action is the manual reset value.

The manual reset value is the manipulated variable that is used when the deviation is 0.

The manual reset value determines the position of the proportional action range in the process value-manipulated variable graph.

The relationship between the manual reset value and the proportional action region is shown below.

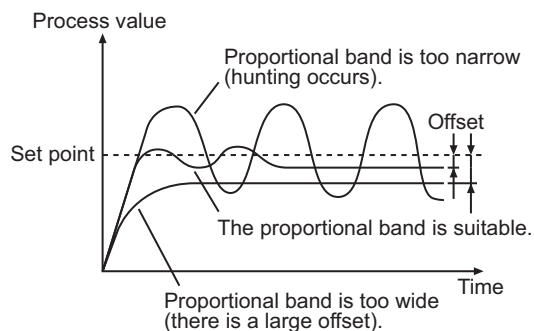
The position of the proportional action range is determined so that the manipulated variable when the process value and the set point are the same equals the manual reset value.



If the manual reset value is not suitable, the deviation will never reach 0. The remaining deviation is called the offset or the residual deviation.

You can make the proportional band narrower to reduce the offset. If the proportional band is too narrow, the process value will not stop at the set point. This is called overshooting.

If the process value does not stabilize and oscillates around the set point, it is called hunting.





## ● Integral Action (I)

Very accurate adjustment of the proportional band and manual reset value is required to bring the offset to 0 with only the proportional action.

Also, the size of the offset varies with the disturbance, so it is necessary to repeat the adjustment frequently.

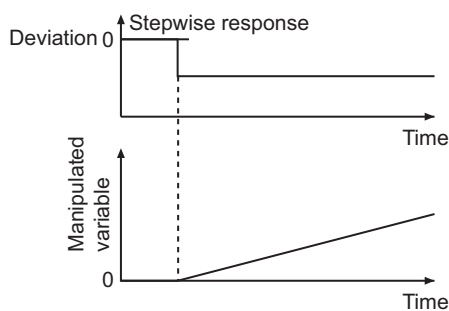
To simplify the operation, an integral action is used in combination with the proportional action.

The integral action integrates the deviation on the time axis and then increases the absolute value of the manipulated variable in proportion to the result.

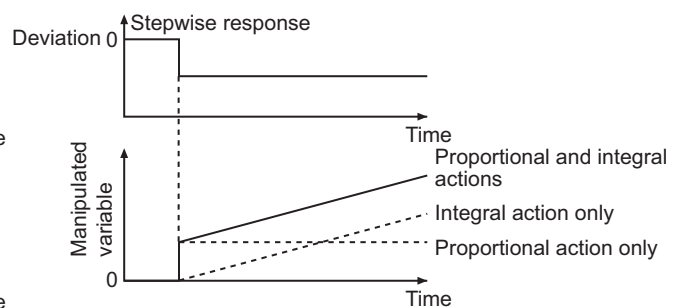
When normal distribution operation is performed, the manual reset value is ignored.

The following graph on the left shows changes in the manipulated variable for the integral action when a deviation occurs in stepwise fashion. The following graph on the right shows changes in the manipulated variable when the integral and proportional actions are combined.

Manipulated Variable for Integral Action



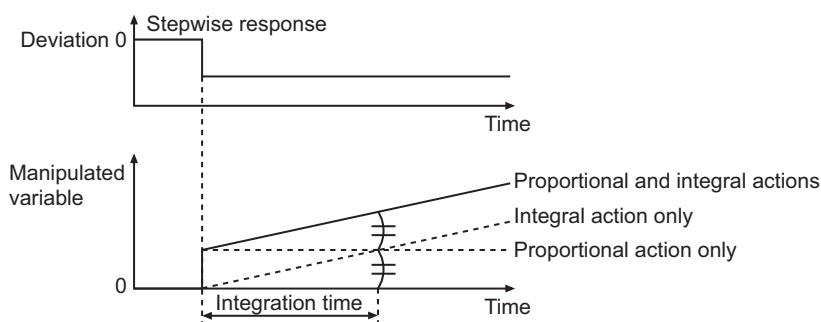
Manipulated Variable for Integral and Proportional Actions Together



One of the parameters for the integral action is the integration time.

This is the time for the manipulated variable from the integral action to equal the manipulated variable from the proportional action when a stepwise deviation occurs.

The shorter the integration time is, the stronger the integral action is. A short integration time reduces the time for the offset to reach 0, but it can also cause hunting.



## ● Derivative Action (D)

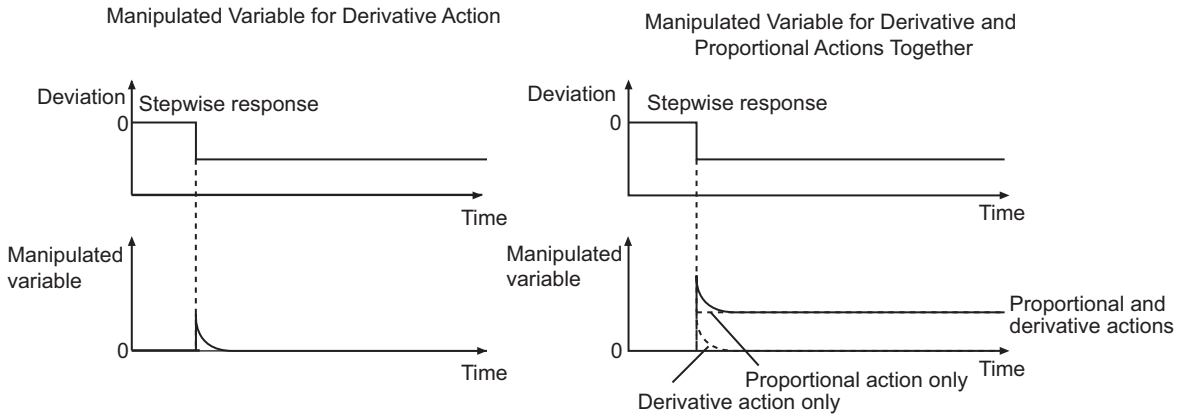
If the proportional and integral actions are used together, the offset will reach 0 and the process value will reach the set point.

However, if disturbance causes the process value to change quickly, time is required to restore the original state.

The derivative action functions to quickly return the process value to the set point when there is a disturbance.

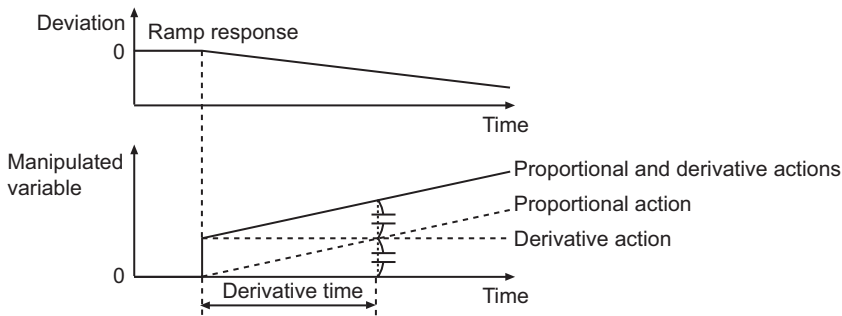
The derivative action differentiates the deviation on the time axis and then increases the absolute value of the manipulated variable in proportion to the result. In other words, the larger the change in the process value is, the larger the absolute value of the manipulated variable for the derivative action is.

The changes in the manipulated variable for the derivative action when a deviation occurs in stepwise fashion are shown below. The changes in the manipulated variable when the derivative and proportional actions are combined are also shown.



One of the parameters for the derivative action is the derivative time. This is the time for the manipulated variable from the derivative action to equal the manipulated variable from the proportional action when a ramp deviation occurs.

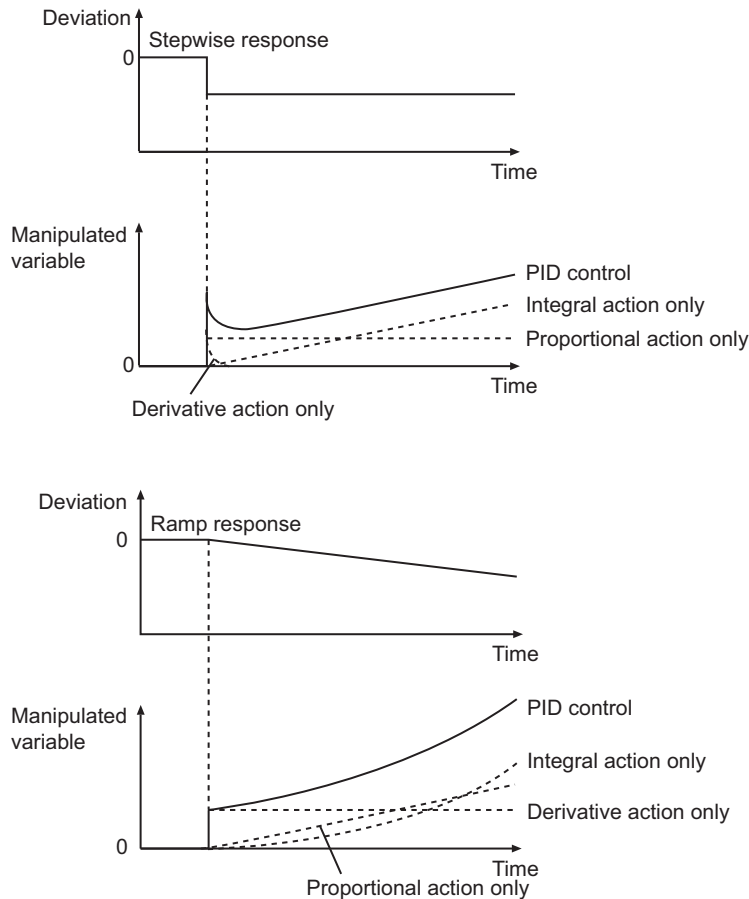
The longer the derivative time is, the stronger the derivative action is. A long derivative time provides a rapid response to disturbances, but it can also cause hunting.



### ● PID Control

The total of the manipulated variables for the proportional, integral, and derivative actions is the manipulated variable for PID control.

The changes in the manipulated variable for PID control for a stepwise and ramp deviations are shown below.



## 2-PID Control with Set Point Filter

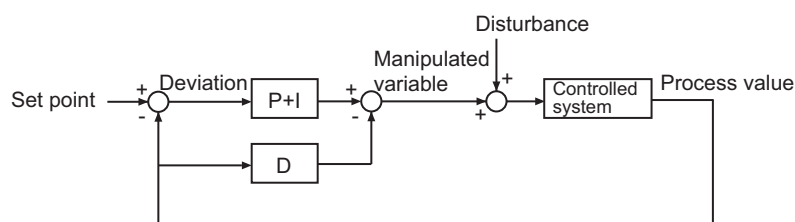
There are three main parameters that you must adjust to perform PID control: the proportional band, integration time, and derivative time. These are called the PID constants.

The values of the PID constants affect the following two performances of PID control.

- Set point response: The ability to follow changes in the set point.
- Disturbance response: The ability of correcting the process value for large changes that are caused by disturbances

A block diagram for basic PID control is shown below.

The set point and disturbance are input at different points as shown in the block diagram. Therefore, finding the optimum PID constants for both set point response performance and disturbance response performance is difficult. In other words, if the PID constants are set for set point response, response to disturbances is slow. If the PID constants are set for disturbance response, overshooting occurs.



To enable both set point response and disturbance response, 2-PID control is used.

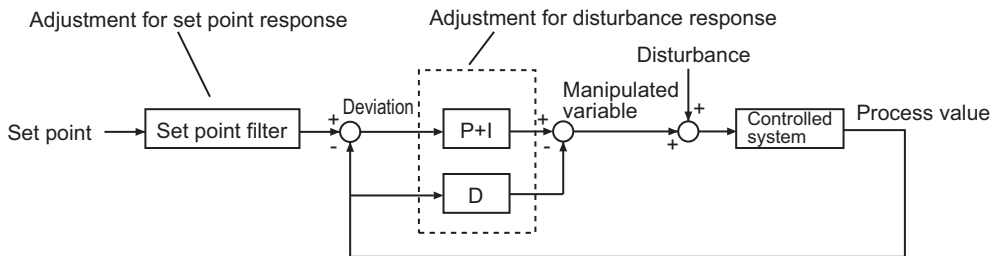
The 2 in "2-PID" indicates that there are separate parameters to adjust the set point response and the disturbance response.

A block diagram for this is shown below.

A set point filter that includes an adjustment parameter is added.

The PID constants are adjusted to maximize disturbance response. A set point filter adjusts the set point to optimize the set value response for those values.

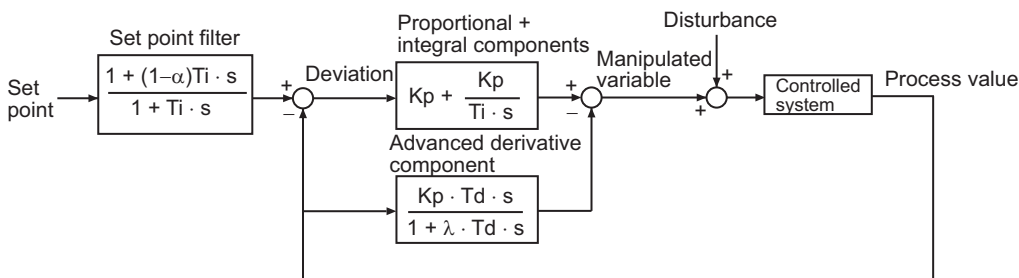
You can adjust the values of the PID constants and the set value of the set point filter independently to increase both the set point response and the disturbance response.



The formulas of the blocks of this instruction are shown below.

The set point filter value (i.e., a coefficient for the set point) is adjusted by using the integration time and the 2-PID parameter  $\alpha$ .

The optimum value of  $\alpha$  is 0.65. It normally does not need to be changed. The lower the value of  $\alpha$  is, the smaller the influence of the set point filter is.



$K_p$ : Proportional constant  
 $T_i$ : Integration time  
 $T_d$ : Derivative time  
 $s$ : Laplace operator  
 $\alpha$ : 2-PID parameter  
 $\lambda$ : Incomplete derivative coefficient

## Starting PID Control

You must use suitable PID constants to execute this instruction. There are two ways to start PID control, depending on whether the optimal values of the PID constants are known or not known.

You can change the values of the PID constants during operation. You can also perform autotuning during operation. To start autotuning during operation, change the value of *StartAT* to TRUE.

### ● When Suitable PID Constants Are Not Known

Perform autotuning at the start of operation to find suitable PID constants.

Change the value of *Run* to TRUE while the value of *StartAT* is TRUE.

First, autotuning is executed, and then PID control is started with the PID constants that are found.

### ● When Suitable PID Constants Are Known

Assign the optimum values of the PID constants to *ProportionalBand*, *IntegrationTime*, and *DerivativeTime*, and then change *Run* to TRUE.

*ProportionalBand*, *IntegrationTime*, and *DerivativeTime* are in-out variables.

You cannot set constants for the input parameters. Always define suitable variables, and then assign the values to input parameters.

## Control Status and Manipulated Variable

Manipulated variable *MV* is determined according to the control status as shown in the following table.

Control status	Value of variable					<i>MV</i> (manipulated variable)	
	<i>ManCtl</i> (manual/ auto control)	<i>Run</i> (execution condition)	<i>Error</i> (error end)	<i>MVTrack</i> Sw (MV tracking switch)	<i>ATBusy</i> (autotuning busy)		
Error end	FALSE	TRUE	TRUE	---	FALSE	<i>ErrorMV</i> (error MV)	
during automatic operation (MV tracking)			---	TRUE		FALSE	<i>MVTrackVal</i> (MV tracking value)
during automatic operation (Autotuning)			FALSE	FALSE	FALSE	TRUE	Value repeatedly changes between upper limit of MV and lower limit of MV.
during automatic operation (Not autotuning)			---	---		FALSE	Value calculated with current PID constants.
Instruction execution stopped		FALSE	---	---	FALSE	<i>StopMV</i> (Stop MV)	
Manual operation	TRUE	---	---	---	<i>ManMV</i> (manual manipulated variable)		

## Autotuning

The 2-PID parameter  $\alpha$  is not adjusted very often, so the main parameters that are adjusted for this instruction are the PID constants.

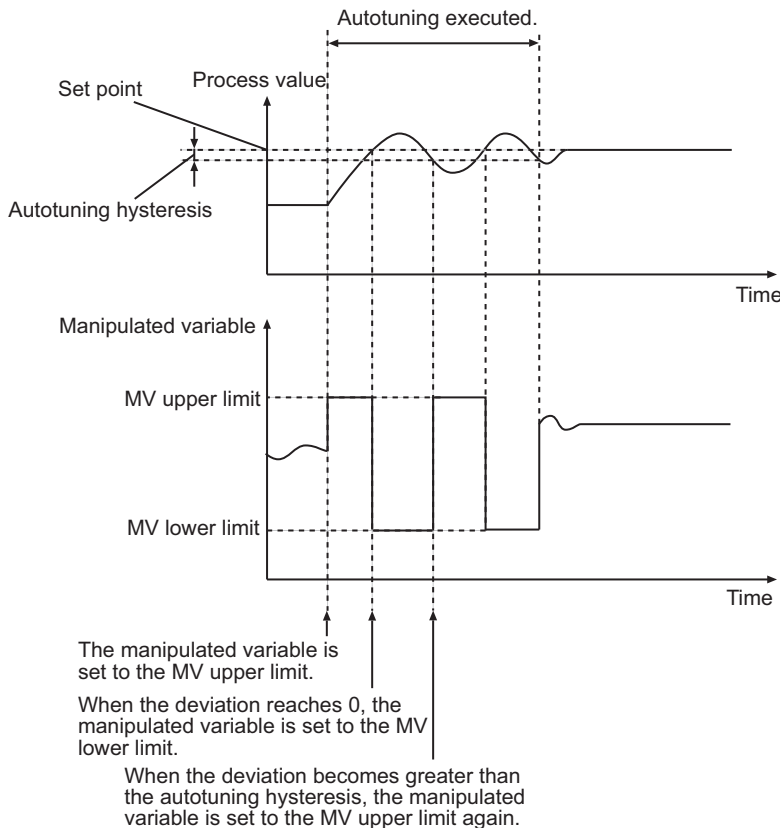
The PIDAT instruction supports autotuning of the PID constants.

The limit cycle method is used for autotuning.

With the limit cycle method, the manipulated variable is temporarily changed to the upper and lower limits of the manipulated variable to find the optimum PID constants based on the resulting changes in the process value.

If autotuning is executed when the set point is greater than the process value, the manipulated variable is first set to the upper limit. When the deviation reaches 0, the manipulated variable is set to the lower limit. When the deviation becomes greater than the autotuning hysteresis, the manipulated variable is set to the upper limit again. This process is repeated twice to calculate the optimum PID constants.

If autotuning is executed when the set point is less than the process value, the manipulated variable is first set to the lower limit. Then, the optimum values for the PID constants are calculated with the procedure that is given above.



Autotuning is executed during PID control (i.e., when the value of *Run* is TRUE) if the value of *StartAT* changes to TRUE. If *StartAT* is TRUE when *Run* changes to TRUE, autotuning is executed at the start of PID control.

When autotuning is completed normally, the calculated PID constants are used immediately. Autotuning is canceled if the value of *ATBusy* changes to FALSE during autotuning (i.e., while *ATBusy* is TRUE). If autotuning is canceled, PID control is started again with the previous PID constants.

### Execution Timing of PID Control

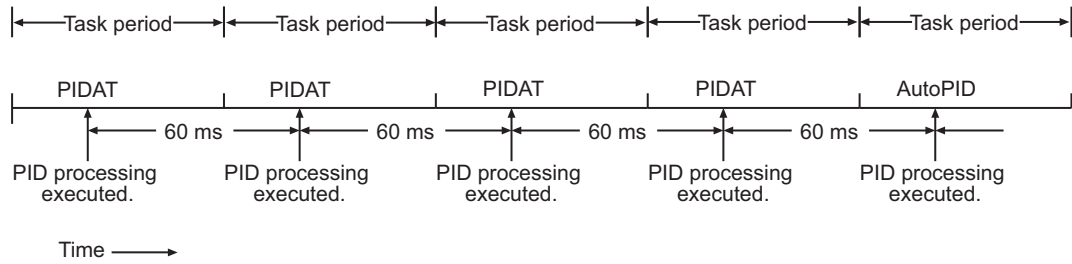
PID control is repeated periodically. PID processing is performed when the PIDAT instruction is executed in the user program.

However, PID processing is not executed if the elapsed time since the last execution is shorter than *SampTime*.

If the elapsed time since the last execution exceeds *SampTime*, the excess time (elapsed time - *SampTime*) is carried forward to the next period. See below for details.

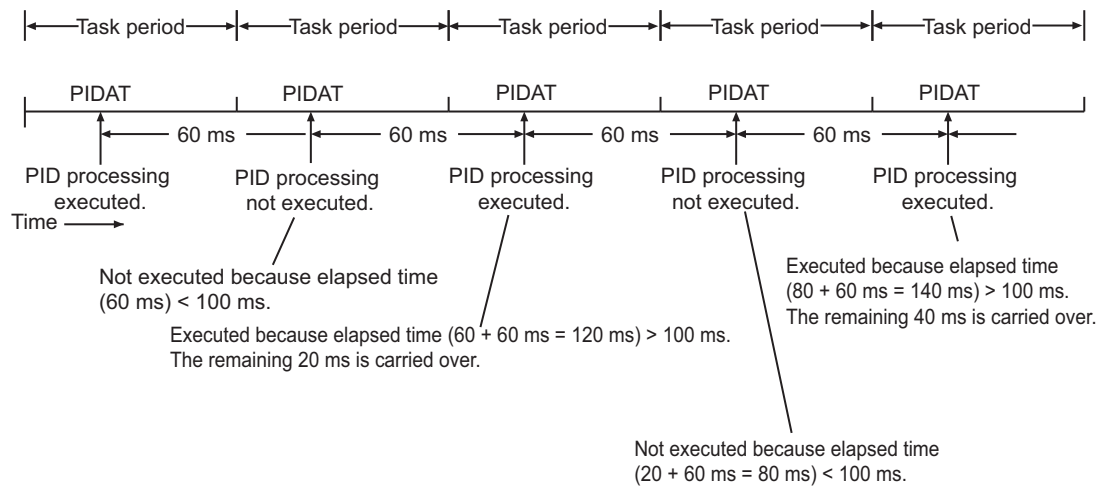
Task period = 60 ms and **SampTime** < 60 ms

The task period is greater than or equal to **SampTime**, so PID processing is executed once every task period.



Task period = 60 ms and **SampTime** = 100 ms

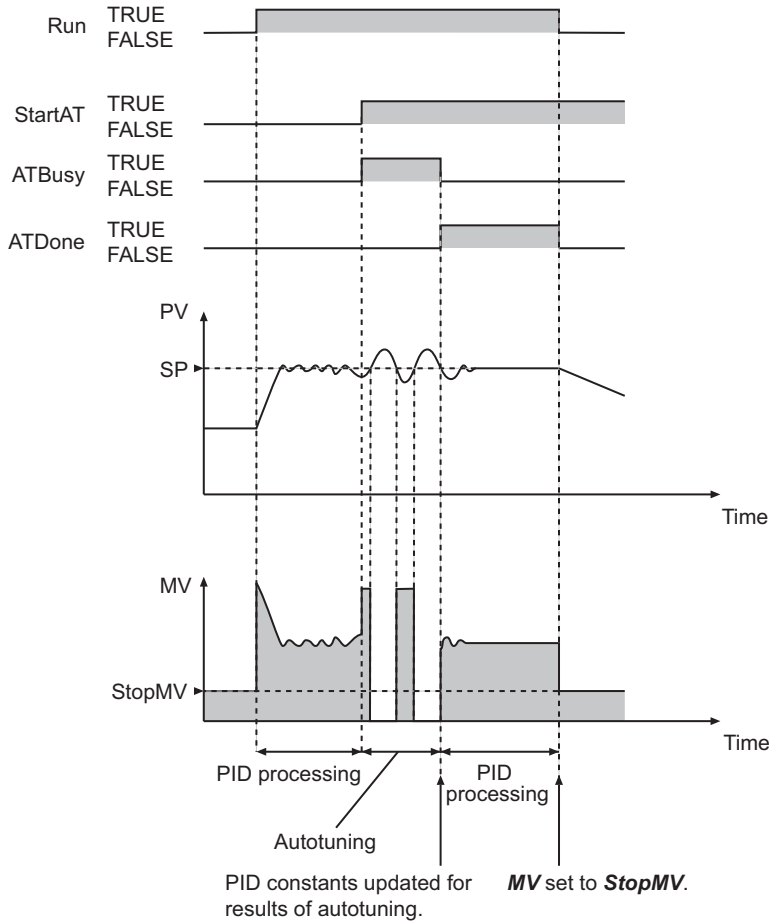
The task period is less than **SampTime**, so DIP processing is not executed every period.



## Timing Charts

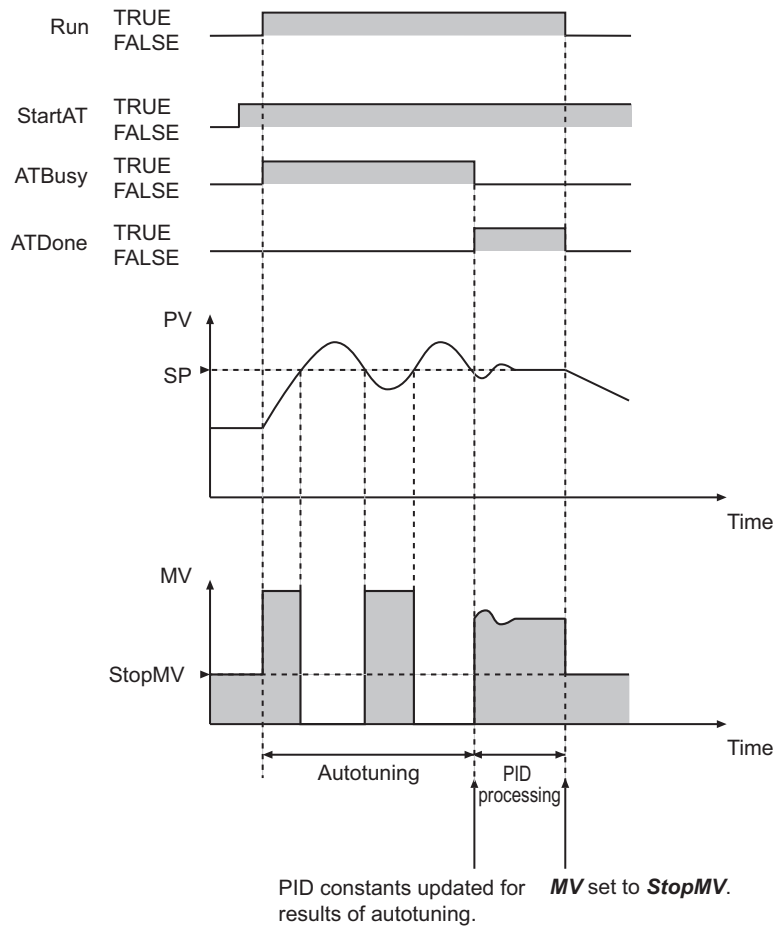
Timing charts for the instruction variables are provided below for different situations.

● Autotuning Executed during Automatic Operation

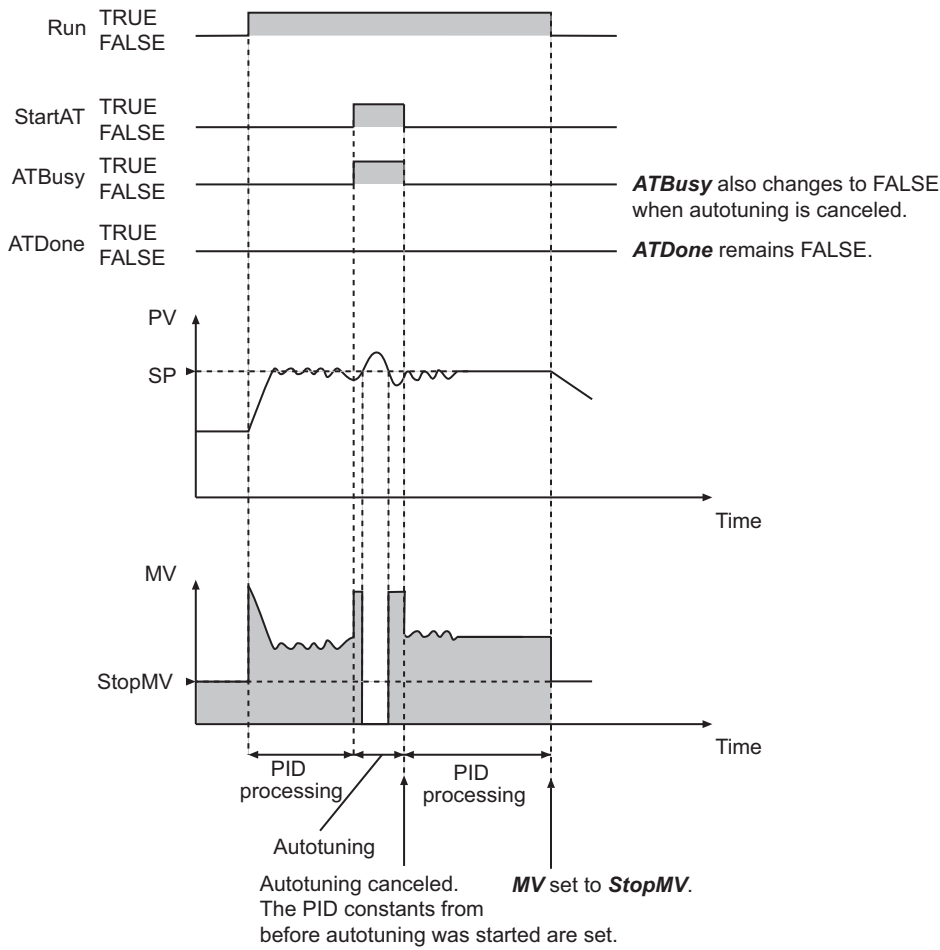




● Autotuning Executed at the Start of PIDAT Execution



● **Autotuning Canceled**

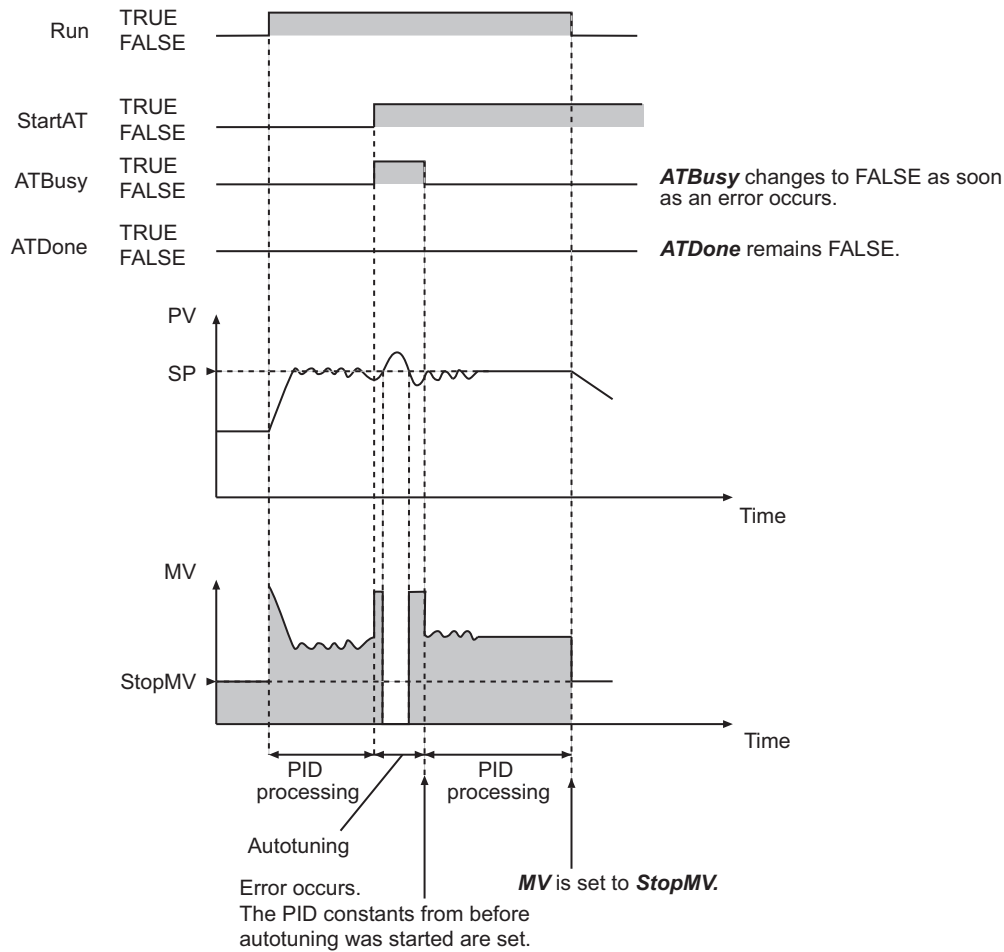


● **An Autotuning Error Occurs during Autotuning**

An autotuning error occurs and autotuning is stopped in the following cases.

- If the MV equals the MV upper limit and the time for the deviation to reach 0 exceeds 19,999 s.
- If the MV equals the MV lower limit and the time for the deviation to reach *ATHystrs* or higher exceeds 19,999 s.

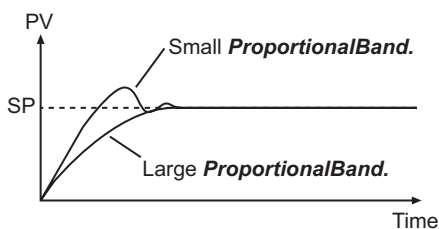
If autotuning is canceled, PID control is started again with the previous PID constants.



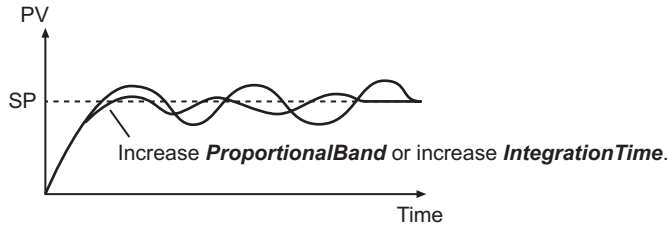
### Additional Information

#### Adjusting PID Constants

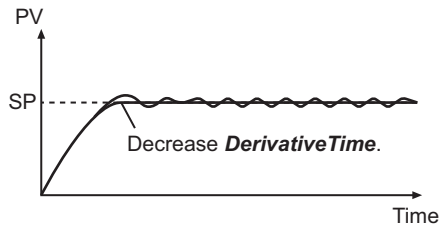
- When you need to eliminate hunting even if it takes time to stabilize the control system, increase the value of *ProportionalBand*. If a certain amount of hunting is not a problem, but it is necessary for the controlled system to stabilize quickly, decrease the value of *ProportionalBand*.



- If hunting continues too long, increase either *ProportionalBand* or *IntegrationTime*.



- If rapid hunting occurs, decrease *DerivativeTime*.



## Initial PID Constants for Temperature Control

If you use the PIDAT instruction for temperature control, use the following initial values of the PID constants as reference. Use the default values for the other variables.

Variables	Initial values (reference values) <sup>*1</sup>
<i>ProportionalBand</i>	10%FS
<i>IntegrationTime</i>	233 s
<i>DerivativeTime</i>	40 s

<sup>\*1.</sup> If you perform autotuning, use the results from autotuning.

## Precautions for Correct Use

- The values of *PV* and *SP* must be between the values of *RngLowLmt* and *RngUpLmt*, inclusive. Align the units of these variables as shown below.

Unit	Values of <i>PV</i> and <i>SP</i>	Values of <i>RngLowLmt</i> and <i>RngUpLmt</i>
% FS	$PV = (\text{Process value in physical units} - \text{MIN}) / (\text{MAX} - \text{MIN}) \times 100^{*1}$ $SP = (\text{Set point in physical units} - \text{MIN}) / (\text{MAX} - \text{MIN}) \times 100^{*1}$	<i>RngLowLmt</i> = 0 <i>RngUpLmt</i> = 100
Physical unit	<i>PV</i> = Process value in physical units <i>SV</i> = Set point in physical units	<i>RngLowLmt</i> = MIN <sup>*1</sup> <i>RngUpLmt</i> = MAX <sup>*1</sup>

<sup>\*1.</sup> MAX: Upper limit of input range in physical units, MIN: Lower limit of input range in physical units,

- The following table shows which variables can be changed depending on the operating status.

Variables	Control status		
	Instruction execution stopped <sup>*1</sup>	Automatic operation when autotuning is not being executed <sup>*2</sup>	Automatic operation when autotuning is being executed <sup>*3</sup>
Run	Possible	Possible	Possible

Variables	Control status		
	Instruction execution stopped <sup>*1</sup>	Automatic operation when autotuning is not being executed <sup>*2</sup>	Automatic operation when autotuning is being executed <sup>*3</sup>
ManCtl	Possible	Possible	Possible
StartAT	Possible	Possible	Possible
PV	Possible	Possible	Possible
SP	Possible	Possible	Not possible
MVLowLmt	Possible	Possible	Not possible
MVUpLmt	Possible	Possible	Not possible
ManResetVal	Possible	Possible	Not possible
MVTrackSw	Possible	Possible	Not possible
MVTrackVal	Possible	Possible	Not possible
StopMV	Possible	Possible	Possible
ErrorMV	Possible	Possible	Possible
Alpha	Possible	Possible	Not possible
ATCalcGain	Possible	Possible	Not possible
ATHystrs	Possible	Possible	Not possible
SampTime	Possible	Not possible	Not possible
RngLowLmt	Possible	Not possible	Not possible
RngUpLmt	Possible	Not possible	Not possible
DirOpr	Possible	Not possible	Not possible
ProportionalBand	Possible	Possible	Not possible
IntegrationTime	Possible	Possible	Not possible
DerivativeTime	Possible	Possible	Not possible
ManMV	Possible	Possible	Possible

\*1. *ManCtl* is TRUE, *Run* is FALSE, *Error* is TRUE, or *MVTrackSw* is TRUE.

\*2. *ManCtl* is FALSE, *Run* is TRUE, *Error* is FALSE, *MVTrackSw* is FALSE, and *ATBusy* is FALSE.

\*3. *ManCtl* is FALSE, *Run* is TRUE, *Error* is FALSE, *MVTrackSw* is FALSE, and *ATBusy* is TRUE.

- *SampTime* is truncated below 100 nanoseconds.
- If the value of *StartAT* changes to TRUE while the value of *ManCtl* is TRUE, autotuning starts the next time the value of *ManCtl* changes to FALSE.
- If the value of *ErrorMV* is not within the valid range (-320 to 320), the value of *MV* will be 0 when an error occurs.
- Autotuning is canceled if the value of *ManCtl* changes to TRUE during autotuning.
- The value of *Error* does not change to TRUE even if an error occurs during autotuning.
- An error occurs in the following case. *Error* will change to TRUE, and an error code is assigned to *ErrorID*. *ATDone* and *ATBusy* change to FALSE. *MV* is set to the value of *ErrorMV* if the values of *ManCtl* and *Run* are FALSE. If the value of *ErrorMV* is outside of the valid range, the value of *MV* is 0.

Error	Value of <i>ErrorID</i>
The value of an input variable is outside of the valid range.	16#0400
<i>RngLowLmt</i> is greater than or equal to <i>RngUpLmt</i> . <i>MVLowLmt</i> is greater than or equal to <i>MVUpLmt</i> .	16#0401

- If an error stop is required for conditions other than the above, program the system so that the value of *Run* changes to FALSE when the error occurs.

- If an error occurs because the value of *PV* or *SP* exceeds the valid range, the error status is maintained for five seconds even if the value returns to within the valid range sooner. That is, the value of *Error* will remain FALSE for five seconds.
- PID control is restarted automatically if the value of *Run* is TRUE after the error is reset. Autotuning is restarted automatically if the values of *Run* and *StartAT* are TRUE.
- A check is made for errors each sampling period.

## Sample Programming

In this sample, the PIDAT instruction is used to perform temperature control.

The manipulated variable of the PIDAT instruction is converted to a time-proportional value and output to a heating device.

This sample uses a timer instruction to convert to a time-proportional value.

To use the TimeProportionalOut instruction for conversion to a time-proportional value, refer to *Sample Programming* on page 2-791 for the TimeProportionalOut instruction.

## Specifications

Temperature control is performed according to the following specifications.

Item	Specification
Input type	K thermocouple
Input Unit	CJ1W-PH41U Isolated-type Universal Input Unit
Output Unit	CJ1W-OD212 Transistor Output Unit
Set point	90°C
Sampling period for PID control	100 ms
Output control period	1 s

## Configuration and Settings

The following setting is used for the CJ1W-PH41U Input Unit.

Setting	Set value
Input1:Input signal type	K(1)

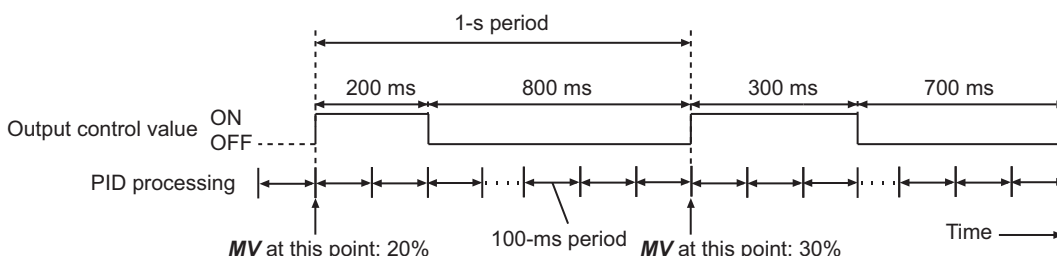
The following I/O map settings are used.

Unit	I/O port	Description	Variable
CJ1W-PH41U	Ch1_AllnPv	Process value for input 1 (INT data)	AI1
CJ1W-OD212	Ch1_Out00	Bit 00 of output word 1	DO1

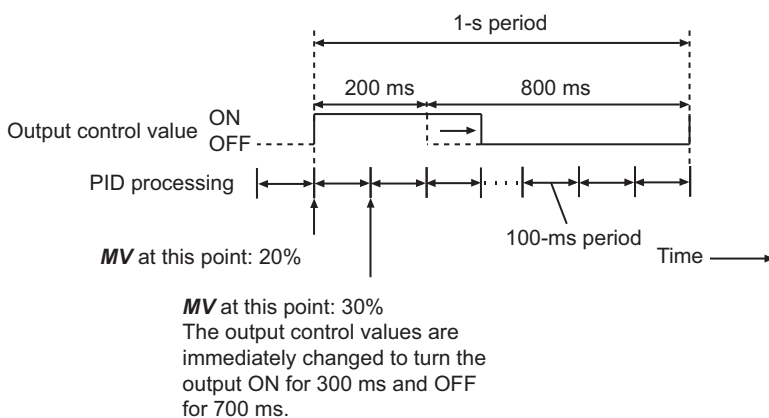
## Processing

- *MV* (manipulated variable) of the PIDAT instruction is obtained to control the output to the temperature controller. The output to the temperature controller is turned ON or OFF.
- The sampling period (*InitSetParams.SampTime*) of the PIDAT instruction is set to 100 ms. The task period must be sufficiently shorter than 100 ms. Therefore, the value of *MV* is refreshed every 100 ms.

- The output control period is 1 s. During that period, the ON time and OFF time of the output control value are controlled with a time-proportional output. For example, if the obtained value of  $MV$  is 20%, the output to the temperature control is ON for 200 ms, and OFF for the following 800 ms. This is repeated at a 1-s period.



- If the most recent value of  $MV$  is smaller than the value of  $MV$  when the output control values were determined, the output control values do not change. If the most recent value of  $MV$  is larger than the value of  $MV$  when the output control values were determined, the most recent value is immediately reflected in the output control values. For example, assume that the output control values are determined when the value of  $MV$  is 20% (ON for 200 ms, and OFF for 800 ms). If the new value of  $MV$  is 30% after 100 ms elapses, the output control values are immediately changed to turn the output ON for 300 ms and then OFF for 700 ms.



- If autotuning is performed and the value of  $MV$  changes to 100%, the output is immediately turned ON regardless of the control period.

## Definitions of Global Variables

### ● Global Variables

Variable	Data type	AT specification <sup>*1</sup>	Comment
AI1	INT	IOBus://rack#0/slot#0/Ch1_AllnPV	Process value for input 1 (INT data)
DO1	BOOL	IOBus://rack#0/slot#1/Ch1_Out/Ch1_Out00	Bit 00 of output word 1

\*1. This table shows the variables for the CJ1W-PH41U Input Unit mounted to Slot #0 of Rack #0, and the CJ1W-OD212 Output Unit mounted to Slot #1 of the same rack.

**Note** The global variables for the port of each Unit are automatically generated based on the I/O mapping settings.

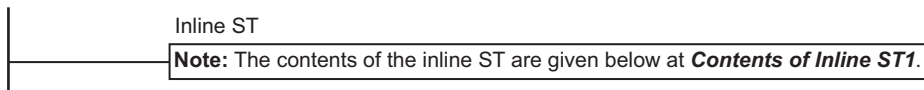
## LD

Variable	Data type	Initial value	Retain	Comment
Run1	BOOL	FALSE	<input type="checkbox"/>	Execution condition
ManCtl1	BOOL	FALSE	<input type="checkbox"/>	Manual/auto control
StartAT1	BOOL	FALSE	<input type="checkbox"/>	Autotuning execution condition
PV1	REAL	0.0	<input type="checkbox"/>	Process value
SP1	REAL	90	<input type="checkbox"/>	Set point
OprSetParams1	_sOPR_SET_PARAMS	(MVLowlmt:=0.0, MVUpLmt:=100.0, ManResetVal:=0.0, MVTrackSw:=FALSE, MVTrackVal:=0.0, StopMV:=0.0, ErrorMV:=0.0, Alpha:=0.65, ATCalcGain:=1.0, ATHystr:=0.2)	<input type="checkbox"/>	Operation setting parameters
InitSetParams1	_sINIT_SET_PARAMS	(SampTime:=T#100 ms, RngLowLmt:=0.0, RngUpLmt:=1000.0, DirOpr:=FALSE)	<input type="checkbox"/>	Initial setting parameters
PB1	REAL	10	<input checked="" type="checkbox"/>	Proportional band
TI1	TIME	T#0 s	<input checked="" type="checkbox"/>	Integration time
TD1	TIME	T#0 s	<input checked="" type="checkbox"/>	Derivative time
ManMV1	REAL	0.0	<input type="checkbox"/>	Manual manipulated variable
ATDone1	BOOL	FALSE	<input type="checkbox"/>	Autotuning normal completion
ATBusy1	BOOL	FALSE	<input type="checkbox"/>	Executing autotuning
Error1	BOOL	FALSE	<input type="checkbox"/>	Error
ErrorID1	WORD	16#0	<input type="checkbox"/>	Error ID
MV1	REAL	0.0	<input type="checkbox"/>	Manipulated variable
PulseOnTime	TIME	T#0 s	<input type="checkbox"/>	Control output ON time
PulseCycTime	TIME	T#1 s	<input type="checkbox"/>	Control period
ResetPulse	BOOL	FALSE	<input type="checkbox"/>	Timer reset
PIDAT_instance	PIDAT		<input type="checkbox"/>	

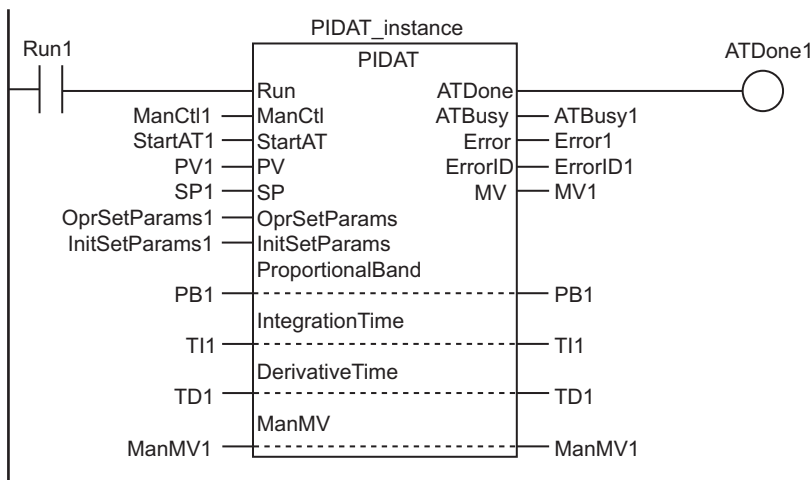


Variable	Data type	Initial value	Retention	Comment
TOF_instance	TOF		<input type="checkbox"/>	
TON_instance	TON		<input type="checkbox"/>	

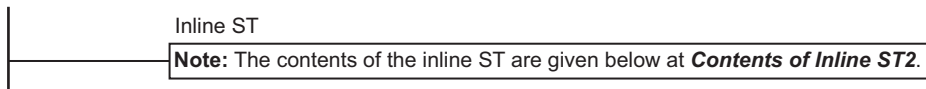
Obtain the process value.



Execute PIDAT instruction.



Time-proportional output



### ● Contents of Inline ST1

```
PV1:=INT_TO_REAL(AI1)/REAL#10.0; // Convert PV AI1 to real number.
// CJ1W-PH41U output is ten times the process value, so divide by 10.0.
```

### ● Contents of Inline ST2

```
// Calculate ON time output control value.
PulseOnTime:=MULTIME(PulseCycTime, MV1/REAL#100.0);
// Switch between ON and OFF with TOF instruction.
TOF_instance(In:=BOOL#FALSE, PT:=PulseOnTime, Q=>DO1);
// Measure timer reset time with TON instruction.
TON_instance(In:=BOOL#TRUE, PT:=PulseCycTime, Q=>ResetPulse);
// Reset timer.
IF (ResetPulse=BOOL#TRUE) THEN
    TOF_instance(In:=BOOL#TRUE);
    TON_instance(In:=BOOL#FALSE);
END_IF;
```

```
// If MV1 = 100% for autotuning.
IF ( (ATBusy1=BOOL#TRUE) & (MV1=REAL#100.0) ) THEN
  DO1:=BOOL#TRUE; // Turn ON the output immediately.
END_IF;
```

## ST

Variable	Data type	Initial value	Retain	Comment
Run1	BOOL	FALSE	<input type="checkbox"/>	Execution condition
ManCtl1	BOOL	FALSE	<input type="checkbox"/>	Manual/auto control
StartAT1	BOOL	FALSE	<input type="checkbox"/>	Autotuning execution condition
PV1	REAL	0.0	<input type="checkbox"/>	Process value
SP1	REAL	90	<input type="checkbox"/>	Set point
OprSetParams1	_sOPR_SET_PARAMS	(MVLowLmt:=0.0, MVUpLmt:=100.0, ManResetVal:=0.0, MVTrackSw:=FALSE, MVTrackVal:=0.0, StopMV:=0.0, ErrorMV:=0.0, Alpha:=0.65, ATCalcGain:=1.0, ATHystrs:=0.2)	<input type="checkbox"/>	Operation setting parameters
InitSetParams1	_sINIT_SET_PARAMS	(SampTime:=T#100 ms, RngLowLmt:=0.0, RngUpLmt:=1000.0, DirOpr:=FALSE)	<input type="checkbox"/>	Initial setting parameters
PB1	REAL	10	<input checked="" type="checkbox"/>	Proportional band
TI1	TIME	T#0 s	<input checked="" type="checkbox"/>	Integration time
TD1	TIME	T#0 s	<input checked="" type="checkbox"/>	Derivative time
ManMV1	REAL	0.0	<input type="checkbox"/>	Manual manipulated variable
ATDone1	BOOL	FALSE	<input type="checkbox"/>	Autotuning normal completion
ATBusy1	BOOL	FALSE	<input type="checkbox"/>	Executing autotuning
Error1	BOOL	FALSE	<input type="checkbox"/>	Error
ErrorID1	WORD	16#0	<input type="checkbox"/>	Error ID
MV1	REAL	0.0	<input type="checkbox"/>	Manipulated variable
PulseOnTime	TIME	T#0 s	<input type="checkbox"/>	Control output ON time
PulseCycTime	TIME	T#1 s	<input type="checkbox"/>	Control period
ResetPulse	BOOL	FALSE	<input type="checkbox"/>	Timer reset

Variable	Data type	Initial value	Retention	Comment
PIDAT_instance	PIDAT		<input type="checkbox"/>	
TOF_instance	TOF		<input type="checkbox"/>	
TON_instance	TON		<input type="checkbox"/>	

```

// Convert PV AI1 to real number.
// CJ1W-PH41U output is ten times the process value, so divide by 10.0.
PV1:=INT_TO_REAL(AI1)/REAL#10.0;

// Execute PIDAT instruction.
PIDAT_instance(
  Run :=Run1,
  ManCtl :=ManCtl1,
  StartAT :=StartAT1,
  PV :=PV1,
  SP :=SP1,
  OprSetParams :=OprSetParams1,
  InitSetParams :=InitSetParams1,
  ProportionalBand:=PB1,
  IntegrationTime :=TI1,
  DerivativeTime :=TD1,
  ManMV :=ManMV1,
  ATDone =>ATDone1,
  ATBusy =>ATBusy1,
  Error =>Error1,
  ErrorID =>ErrorID1,
  MV =>MV1);

// Time-proportional output
// Calculate ON time output control value.
PulseOnTime:=MULTIME(PulseCycTime, MV1/REAL#100.0);
// Switch between ON and OFF with TOF instruction.
TOF_instance(In:=BOOL#FALSE, PT:=PulseOnTime, Q=>DO1);
// Switch between ON and OFF with TOF instruction.
TON_instance(In:=BOOL#TRUE, PT:=PulseCycTime, Q=>ResetPulse);
// Reset timer.
IF (ResetPulse=BOOL#TRUE) THEN
  TOF_instance(In:=BOOL#TRUE);
  TON_instance(In:=BOOL#FALSE);
END_IF;
// If MV1 = 100% for autotuning.
IF ( (ATBusy1=BOOL#TRUE) & (MV1=REAL#100.0) ) THEN

```

```
DO1:=BOOL#TRUE; // Turn ON the output immediately.  
END_IF;
```

# PIDAT\_HeatCool

The PIDAT\_HeatCool instruction performs heating/cooling PID control with autotuning (2-PID control with set point filter).

Instruction	Name	FB/ FUN	Graphic expression	ST expression
PIDAT_HeatCool	Heating/Cooling PID with Auto-tuning	FB		<pre>PIDAT_HeatCool_instance( Run, ManCtl, StartAT, PV, SP, Dead- Band, OprSetParams, InitSetPar- ams, ProportionalBand_Heat, Inte- grationTime_Heat, Derivative- Time_Heat, Proportional- Band_Cool, IntegrationTime_Cool, DerivativeTime_Cool, ManMV, CtlPrd_Cool, ATDone, ATBusy, Er- ror, ErrorID, MV, MV_Heat, MV_Cool);</pre>



## Version Information

A CPU Unit with unit version 1.08 or later and Sysmac Studio version 1.09 or higher are required to use this instruction.

## Variables

	Meaning	I/O	Description	Valid range	Unit	Default
Run	Execution condition	Input	TRUE: Execute FALSE: Stop	Depends on data type.	---	FALSE
ManCtl	Manual/auto control		TRUE: Manual operation FALSE: Automatic operation			
StartAT	Autotuning execution condition		TRUE: Execute FALSE: Cancel			
PV	Process value		Process value	*1		0
SP	Set point		Set point			
DeadBand	Deadband		Deadband/overlap band setting	-320.0 to 320.0	%	
OprSetParams	Operation setting parameters		Parameters set during operation	---		---
InitSetParams	Initial setting parameters		Initial setting parameters	---		---
CtlPrd_Cool	Cooling control period		Control period when time-proportional output is used for <i>MV_Cool</i>	T#0.1 s to T#100 s		T#20 s

	Meaning	I/O	Description	Valid range	Unit	Default
Proportional Band_Heat	Proportional band for heating control	In-out	Proportional band for heating control	0.01 to 1000.00	% FS	---
Integration-Time_Heat	Integration time for heating control		Integration time for heating control The higher the value is, the weaker the integral action is. No integral action is performed for 0.	T#0.0000 s to T#10000.0000 s <sup>*2</sup>	s	
Derivative Time_Heat	Derivative time for heating control		Derivative time for heating control The higher the value is, the stronger the derivative action is. No derivative action is performed for 0.	T#0.0000 s to T#10000.0000 s <sup>*2</sup>		
Proportional Band_Cool	Proportional band for cooling control		Proportional band for cooling control	0.01 to 1000.00	% FS	
Integration-Time_Cool	Integration time for cooling control		Integration time for cooling control The higher the value is, the weaker the integral action is. No integral action is performed for 0.	T#0.0000 s to T#10000.0000 s <sup>*2</sup>	s	
Derivative Time_Cool	Derivative time for cooling control		Derivative time for cooling control The higher the value is, the stronger the derivative action is. No derivative action is performed for 0.	T#0.0000 s to T#10000.0000 s <sup>*2</sup>		
ManMV	Manual manipulated variable		Manual manipulated variable	-320 to 320	%	
ATDone	Autotuning normal completion	Output	TRUE: Normal completion FALSE: <sup>*3</sup>	Depends on data type.	---	
ATBusy	Autotuning busy		TRUE: Autotuning FALSE: Not autotuning			
MV	Manipulated variable		Manipulated variable	0 to 320	%	
MV_Heat	Manipulated variable for heating control		Manipulated variable for heating control			
MV_Cool	Manipulated variable for cooling control		Manipulated variable for cooling control			

\*1. Value of input range lower limit *InitSetParams.RngLowLmt* to Value of input range upper limit *InitSetParams.RngUpLmt*.

\*2. The value is truncated to four decimal places.

\*3. FALSE indicates an error end, that PID control is in progress without autotuning, or that PID control is not in progress.

	Boo lean	Bit strings					Integers								Real num- bers		Times, durations, dates, and text strings				
	BOOL	BYTE	WORD	DWORD	LWORD	USINT	UINT	UDINT	ULINT	SINT	INT	DINT	LINT	REAL	LREAL	TIME	DATE	TOD	DT	STRING	
Run	OK																				
ManCtl	OK																				
StartAT	OK																				
PV														OK							
SP														OK							
DeadBand														OK							
OprSetPar- ams	Refer to <i>Structure Specifications</i> on page 2-752 for details on the structure <code>_sOPR_SET_PARAMS</code> .																				
InitSetPar- ams	Refer to <i>Structure Specifications</i> on page 2-752 for details on the structure <code>_sINIT_SET_PARAMS</code> .																				
CtlPrd_Cool																OK					
Proportional Band_Heat														OK							
Integration- Time_Heat																OK					
Derivative Time_Heat																OK					
Proportional Band_Cool														OK							
Integration- Time_Cool																OK					
Derivative Time_Cool																OK					
ManMV														OK							
ATDone	OK																				
ATBusy	OK																				
MV														OK							
MV_Heat														OK							
MV_Cool														OK							

## Function

The PIDAT\_HeatCool instruction performs heating/cooling PID control of a manipulated variable for a temperature controller or other device.

Heating/cooling PID control is started when the value of execution condition *Run* changes to TRUE.

While the value of *Run* is TRUE, the following process cycle is repeated: process value *PV* is read, heating/cooling PID processing is performed, and manipulated variable for heating *MV\_Heat* and manipulated variable for cooling *MV\_Cool* are output.

Heating/cooling PID control is stopped when the value of *Run* changes to FALSE.

Autotuning is supported to automatically find the optimum PID constants for heating control and for cooling control.

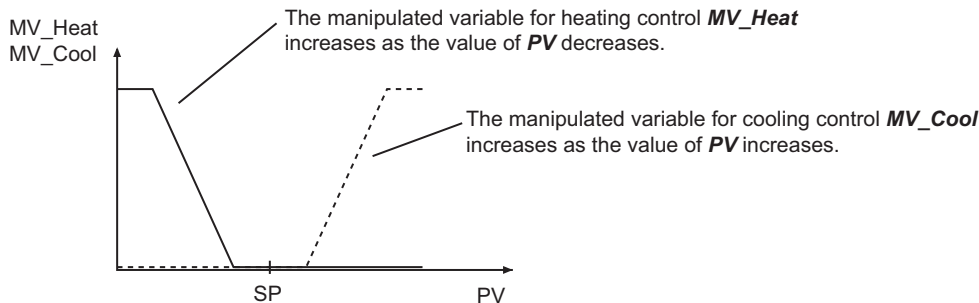
When the value of *StartAT* (autotuning execution condition) changes to TRUE, autotuning of the PID constants for heating control and cooling control is executed.



## Difference between the PIDAT\_HeatCool and PIDAT Instructions

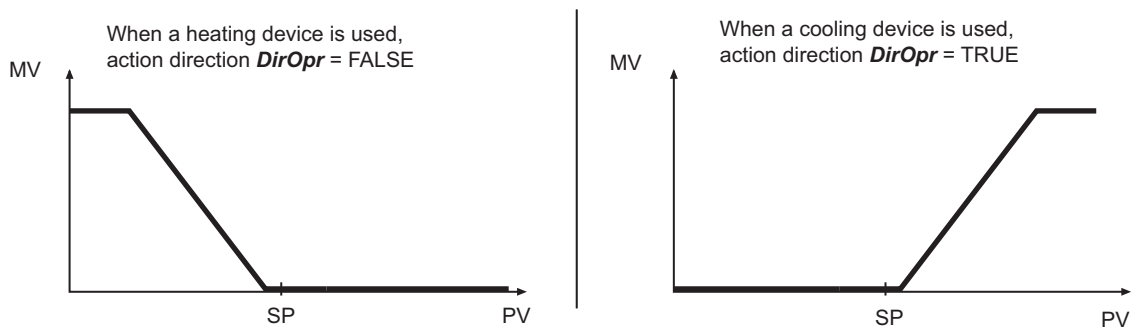
### ● PIDAT\_HeatCool Instruction

The PIDAT\_HeatCool instruction uses both a heating device and a cooling device to control the temperature. Therefore, manipulated variables are output for two different control operations: the manipulated variable for heating control, *MV\_Heat*, and the manipulated variable for cooling control, *MV\_Cool*. Autotuning finds the optimum PID constants for heating control and the optimum PID constants for cooling control.



### ● PIDAT Instruction

The PIDAT instruction uses either a heating device or a cooling device to control the temperature. Therefore, only one manipulated variable (*MV*) is output. Also, there is a parameter, action direction *DirOpr*, which determines whether the manipulated variable is output to a heating device or a cooling device. The PIDAT\_HeatCool instruction does not use *DirOpr*.



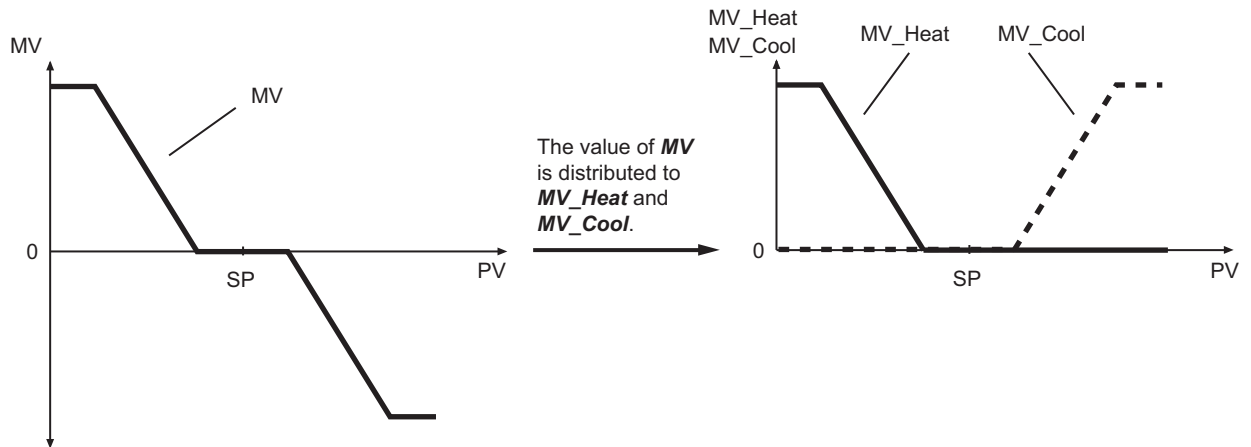
## Manipulated Variable *MV* Compared with Manipulated Variable for Heating Control *MV\_Heat* and Manipulated Variable for Cooling Control *MV\_Cool*

*MV* is a manipulated variable for temperature control where either a heating device or cooling device is used, as previously described for the PID instruction.

The PIDAT\_HeatCool instruction also calculates *MV* in the same way as the PIDAT instruction. The *MV* is distributed to the manipulated variables for the heating device and the cooling device, as *MV\_Heat* and *MV\_Cool*, respectively.

The following is a conceptual diagram to show how the value of *MV* is distributed to *MV\_Heat* and *MV\_Cool*.

The value of *MV\_Cool* is the absolute value of *MV* when it is negative.



The value of *MV* is distributed to *MV\_Heat* and *MV\_Cool*.

The above figure just indicates the concept. Actual values of *MV\_Heat* and *MV\_Cool* are not exactly the same as the absolute value of *MV*.

The values of *MV\_Heat* and *MV\_Cool* are calculated based on the value of *MV*, using special formulas.

## Structure Specifications

The data type of operation setting parameter **OprSetParams** is structure `_sOPR_SET_PARAMS`.

The specifications are as follows:

Name	Meaning	Description	Data type	Valid range	Unit	Default
OprSetParams	Operation Setting Parameters	Parameters that are set during operation.	_sOPR_SET_PARAMS	---	---	---
MVLowLmt	MV Lower Limit	Lower limit of <i>MV_Heat</i> and <i>MV_Cool</i>	REAL	-320 to 320* <sup>1</sup>	%	-100
MVUpLmt	MV Upper Limit	Upper limit of <i>MV_Heat</i> and <i>MV_Cool</i>	REAL			100
ManResetVal	Manual Reset Value	Not used.	REAL			-320 to 320
MVTrackSw	MV Tracking Switch	MV Tracking Switch TRUE: ON FALSE: OFF	BOOL	Depends on data type.	---	FALSE
MVTrackVal	MV Tracking Value	The value that is set in MV during <i>MV</i> tracking.	REAL	-320 to 320	%	0
StopMV	Stop MV	The value that is set in <i>MV</i> when instruction execution is stopped.	REAL			
ErrorMV	Error MV	The value that is set in <i>MV</i> when an error occurs.	REAL			
Alpha	2-PID Parameter $\alpha$	Coefficient $\alpha$ of the set point filter. If this value is 0, the set point filter is disabled.	REAL	0.00 to 1.00		0.65
ATCalcGain	Autotuning Calculation Gain	Adjustment coefficient from autotuning results. Stability is given higher priority with higher values. The speed of response is given higher priority with lower values.	REAL	0.1 to 10.0	---	0.8
ATHystrs	Autotuning Hysteresis	The hysteresis of the limit cycle.	REAL	0.01 to 10.0	% FS	0.05

\*1. *MVLowLmt* must be less than *MVUpLmt*.

The data type of initial setting parameter **InitSetParams** is structure `_sINIT_SET_PARAMS`. The specifications are as follows:

Name	Meaning	Description	Data type	Valid range	Unit	Default
InitSetParams	Initial Setting Parameters	Initial setting parameters.	_sl-NIT_SET_PARAMETERS	---	---	---
SampTime	Sampling Period	The period for PID processing.	TIME	T#0.0001 s to #100.0000 s	s	T#0.05 s
RngLowLmt	Lower Limit of Input Range	The lower limit of <i>PV</i> and <i>SP</i> .	REAL	-32000 to 32000 <sup>*1</sup>	---	0
RngUpLmt	Upper Limit of Input Range	The upper limit of <i>PV</i> and <i>SP</i> .	REAL			100
DirOpr	Action Direction	Not used.	BOOL	Depends on data type.		FALSE

\*1. *RngLowLmt* must be less than *RngUpLmt*.

## Meanings of Variables

The meanings of the variables that are used in this instruction are described below.

### ● Run (Execution Condition)

This is the execution condition for the instruction.

Heating/cooling PID control is performed while the value is TRUE. Heating/cooling PID control is stopped when the value changes to FALSE.

### ● ManCtl (Manual/Auto Control)

This instruction can be executed in one of two modes: Manual operation or automatic operation. The value of *ManCtl* determines which mode is used.

Value of <i>ManCtl</i>	Operation mode	Value of <i>MV</i>
TRUE	Manual	Value of <i>ManMV</i> Heating/cooling PID control is not performed.
FALSE	Automatic	Value that is calculated for heating/cooling PID control

### ● StartAT (Autotuning Execution Condition)

This is the execution condition for autotuning the PID constants.

If the value of *StartAT* is TRUE when the value of *Run* changes to TRUE, autotuning is performed when PID control is started.

If the value of *StartAT* changes to TRUE during heating/cooling PID control (i.e., when the value of *Run* is TRUE), autotuning is performed during heating/cooling PID control.

In either case, autotuning is canceled if the value of *StartAT* changes to FALSE during the autotuning. Refer to *Autotuning* on page 2-763 for details on autotuning.

### ● PV (Process Value)

This is the process value of the controlled system.

## ● SP (Set Point)

This is the set point for the controlled system.

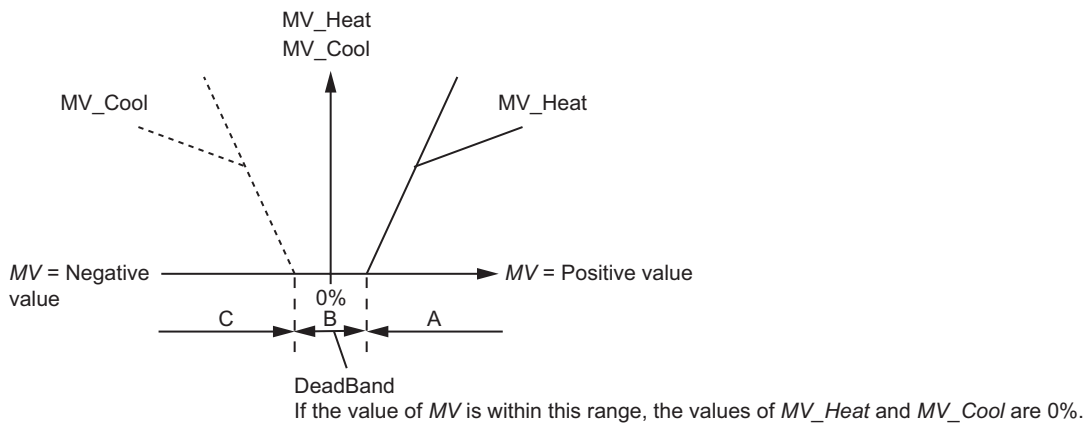
## ● DeadBand (Deadband)

*DeadBand* determines how the value of *MV* is distributed to *MV\_Heat* and *MV\_Cool*.

*DeadBand* gives the range of the value of *MV* centered on an *MV* value of 0 within which both heating and cooling control operations are not performed.

The following table and figure show the relationship between the value of *MV* and the values of *MV\_Heat* and *MV\_Cool*.

Value of <i>MV</i>	Value of <i>MV_Heat</i>	Value of <i>MV_Cool</i>
Larger than the deadband (Area A)	Positive. Increases as the value of <i>MV</i> increases.	0
Within the deadband (Area B)	0	0
Smaller than the deadband (Area C)	0	Positive. Increases as the value of <i>MV</i> decreases.

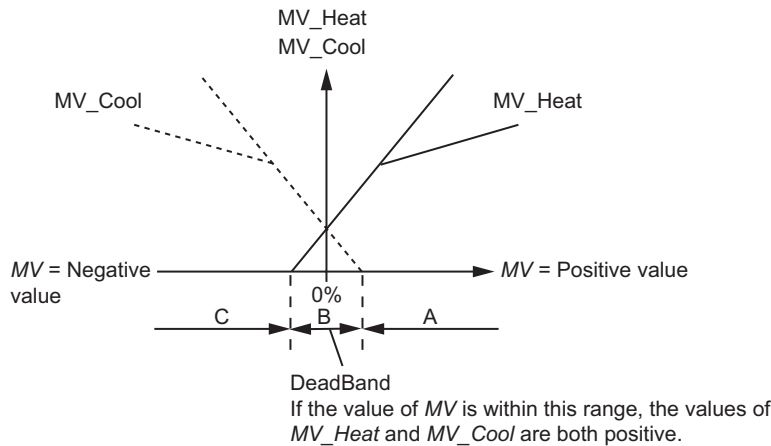


You can also set a negative value for *DeadBand*.

If the value of *DeadBand* is negative while the value of *MV* is within the deadband, both heating and cooling control are performed.

The following table and figure show the relationship between the value of *MV* and the values of *MV\_Heat* and *MV\_Cool* when the value of *DeadBand* is negative.

Value of <i>MV</i>	Value of <i>MV_Heat</i>	Value of <i>MV_Cool</i>
Larger than the deadband (Area A)	Positive. Increases as the value of <i>MV</i> increases.	0
Within the deadband (Area B)	Positive. Increases as the value of <i>MV</i> increases.	Positive. Increases as the value of <i>MV</i> decreases.
Smaller than the deadband (Area C)	0	Positive. Increases as the value of <i>MV</i> decreases.



### ● **MVLowLmt (MV Lower Limit) and MVUpLmt (MV Upper Limit)**

You can limit the values of *MV\_Heat* and *MV\_Cool*.

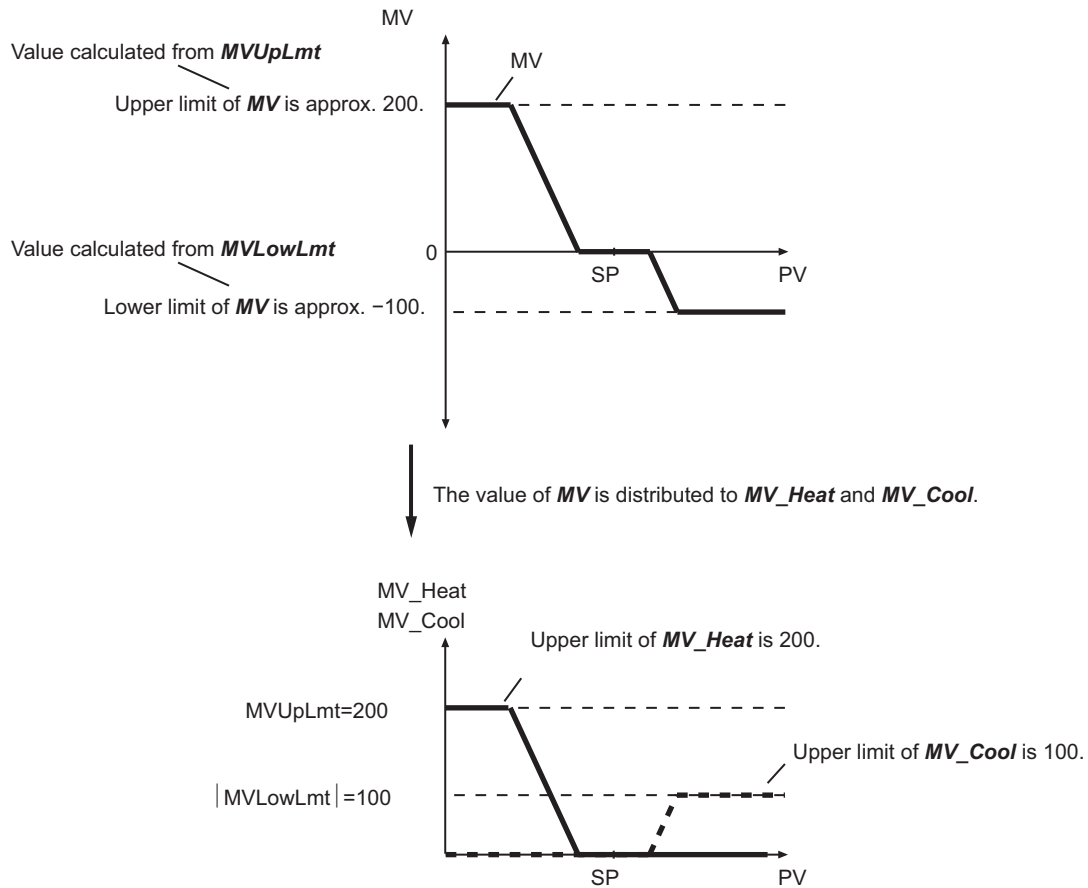
The upper and lower limits of *MV\_Heat* and *MV\_Cool* are determined by *MVLowLmt* and *MVUpLmt*.

The following procedure is used to find the values of *MV\_Heat* and *MV\_Cool*.

- 1** The heating/cooling PID processing is performed to find *MV*. The upper and lower limits of *MV* are calculated from special formulas based on *MVLowLmt* and *MVUpLmt*.
- 2** *MV\_Heat* and *MV\_Cool* are found by distributing *MV*.

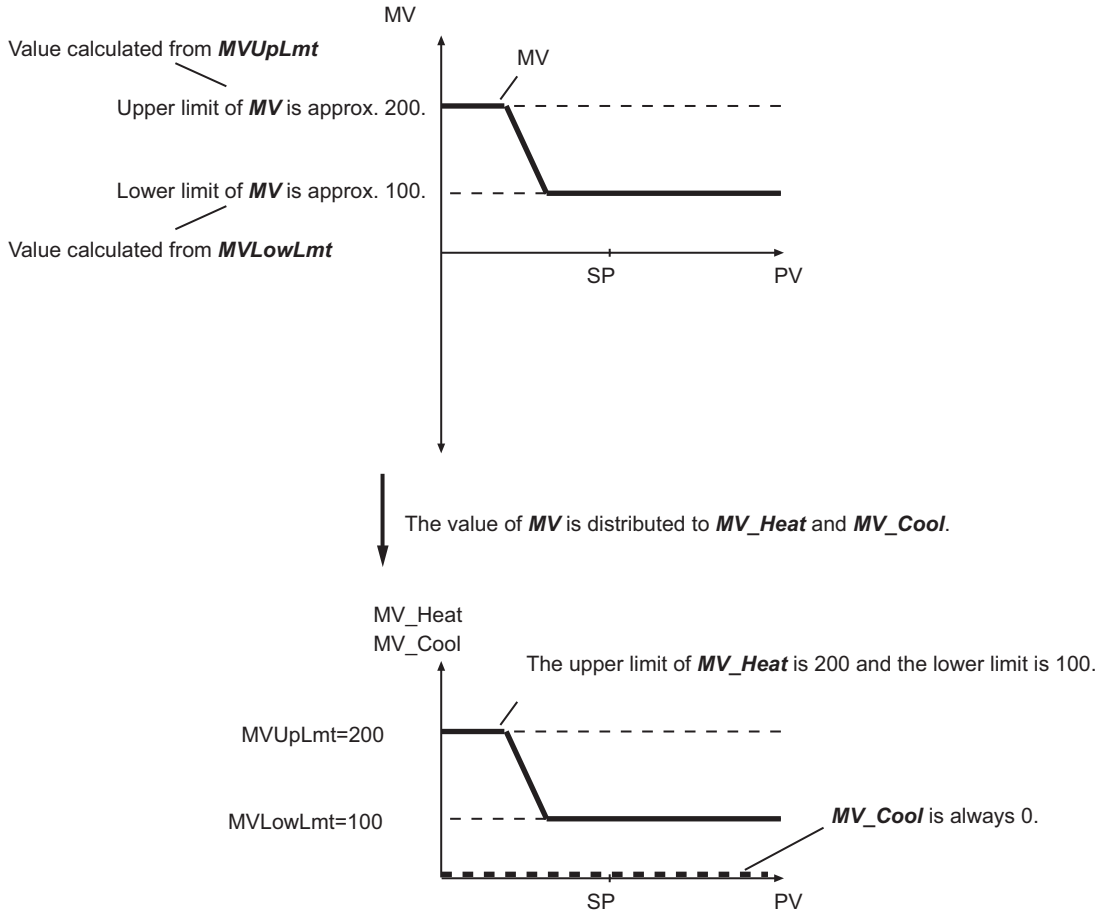
The following figure shows the relationship between *MV*, *MV\_Heat*, and *MV\_Cool* when *MVLowLmt* is -100 and *MVUpLmt* is 200.

The calculated upper limit of *MV\_Heat* is 200, and the calculated lower limit is 0. The calculated upper limit of *MV\_Cool* is 100, and the calculated lower limit is 0. In other words, the upper limit of *MV\_Heat* is the same as the value of *MVUpLmt*, but the upper limit of *MV\_Cool* is the absolute value of *MVLowLmt*.



The following figure shows the relationship between  $MV$ ,  $MV\_Heat$ , and  $MV\_Cool$  when  $MVLowLmt$  is 100 and  $MVUpLmt$  is 200.

The calculated upper limit of  $MV\_Heat$  is 200 and the calculated lower limit is 100. The value of  $MV\_Cool$  is always 0. In other words, the upper and lower limits of  $MV\_Heat$  are the same as  $MVUpLmt$  and  $MVLowLmt$ , respectively.



As shown above, the upper and lower limits of *MV\_Heat* and *MV\_Cool* change depending on whether *MVLowLmt* and *MVUpLmt* are positive values or negative values. Refer to the table below.

Value of <i>MVLowLmt</i>	Value of <i>MVUpLmt</i>	<i>MV_Heat</i>		<i>MV_Cool</i>	
		Lower limit	Upper limit	Lower limit	Upper limit
Positive	Positive	<i>MVLowLmt</i>	<i>MVUpLmt</i>	0	0
Negative	Positive	0	<i>MVUpLmt</i>	0	Absolute value of <i>MVLowLmt</i>
Negative	Negative	0	0	Absolute value of <i>MVUpLmt</i>	Absolute value of <i>MVLowLmt</i>

Always set *MVLowLmt* and *MVUpLmt* so that *MVLowLmt* is less than *MVUpLmt*.

Also, if *MV* is set to *StopMV*, *ErrorMV*, or *ManMV*, limit control is not applied.

You can change *MVLowLmt* and *MVUpLmt* even if the control status of this instruction is not autotuning during automatic operation.

However, if you change *MVLowLmt* or *MVUpLmt* to an expansion direction during operation, the value of *MV\_Heat* or *MV\_Cool* which is the same as the one in the last sampling period is output and changed smoothly at this time (bumpless).

Repeated changing of *MVLowLmt* or *MVUpLmt* will affect the control performance, and sufficient control performance may not be obtained.

Confirm the effects on the control performance before you repeatedly change *MVLowLmt* or *MVUpLmt* during operation.



### ● ManResetVal (Manual Reset Value)

This instruction does not use this variable. Any value that is set is ignored.

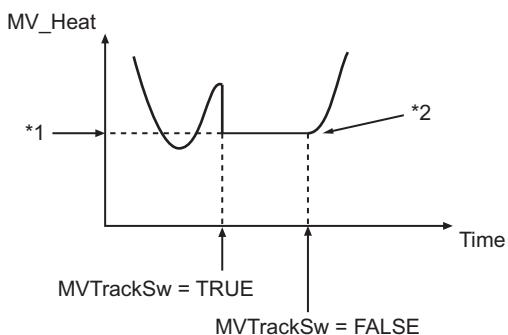
### ● MVTrackSw (MV Tracking Switch)

MV tracking is a function that sets the *MV* to an external input value, *MVTrackVal* (MV Tracking Value), during automatic operation.

MV tracking is performed while the value of *MVTrackSw* is TRUE.

When the value of *MVTrackSw* changes to FALSE, the value of *MV* takes on the value of *MVTrackVal* in that sampling cycle, then returns to the result of heating/cooling PID processing from the next sampling cycle.

This prevents the values of *MV\_Heat* and *MV\_Cool* from changing abruptly.



\*1. *MV\_Heat* distributed from *MVTrackVal*

\*2. The value of *MV* takes on the value of *MVTrackVal*.

### ● MVTrackVal (MV Tracking Value)

This is the value to which *MV* is set during MV tracking.

The value of *MVTrackVal* is limited by the values of *MVLowLmt* and *MVUpLmt*.

### ● StopMV (Stop MV)

This is the value to which *MV* is set when the value of *Run* is FALSE (i.e., when execution of this instruction is stopped).

### ● ErrorMV (Error MV)

This is the value to which *MV* is set when an error occurs (i.e., when the value of *Error* is TRUE).

If the value of *ErrorMV* is not within the valid range (-320 to 320), the value of *MV* will be 0 when an error occurs.

### ● Alpha (2-PID Parameter $\alpha$ )

This parameter determines the coefficient of the set point filter.

Refer to *2-PID Control with Set Point Filter* on page 2-729 in the section on the PIDAT instruction for details.

Normally set the value of *Alpha* to 0.65.

### ● ATCalcGain (Autotuning Calculation Gain)

This variable gives the coefficient of the PID constants that were calculated by autotuning when they are applied to the actual PID constants.

If a value of 1.00 is specified, the results of autotuning are used directly.  
Increase the value of *ATCalcGain* to give priority to stability and decrease it to give priority to response.

### ● **ATHystrs (Autotuning Hysteresis)**

This is the hysteresis that is used in the limit cycle for autotuning.  
More accurate tuning is achieved if the value of *ATHystrs* is smaller. However, if the process value is not stable and proper autotuning is difficult, increase the value.  
Refer to *Autotuning* on page 2-731 in the section on the PIDAT instruction for details.

### ● **SampTime (Sampling Period)**

This is the minimum value of the period for heating/cooling PID processing.  
Refer to *Execution Timing of Heating/Cooling PID Control* on page 2-765 for details.  
Heating/cooling PID processing is not executed if the elapsed time since the last execution is shorter than *SampTime*.

### ● **RngLowLmt (Lower Limit of Input Range) and RngUpLmt (Upper Limit of Input Range)**

These are the lower limit and upper limit of *PV* and *SP*.  
An error will occur if the value of a parameter connected to *PV* or *SP* exceeds the corresponding limits.  
*RngLowLmt* must always be less than *RngUpLmt*.

### ● **DirOpr (Action Direction)**

This instruction does not use this variable. Any value that is set is ignored.

### ● **CtlPrd\_Cool (Control Period)**

This variable sets the control period for time-proportional output of *MV\_Cool* when you use this instruction together with the instruction, *TimeProportionalOut* on page 2-785. Set the same value here and for control period *CtlPrd* of the *TimeProportionalOut* instruction.  
If you do not use time-proportional output for *MV\_Cool*, set the default value, T#20 s.

### ● **ProportionalBand\_Heat and ProportionalBand\_Cool (Proportional Bands)**

This is one of the three PID constants. Refer to *Proportional Action (P)* on page 2-725 in the section on the PIDAT instruction for details.  
If the values of *ProportionalBand\_Heat* and *ProportionalBand\_Cool* are large, the offset will be large. Hunting occurs if a proportional band is too small.

### ● **IntegrationTime\_Heat and IntegrationTime\_Cool (Integration Times)**

This is one of the three PID constants. Refer to *Integral Action (I)* on page 2-727 in the section on the PIDAT instruction for details.  
The larger the value of *IntegrationTime\_Heat* or *IntegrationTime\_Cool* is, the weaker the integral action is.

### ● DerivativeTime\_Heat and DerivativeTime\_Cool (Derivative Times)

This is one of the three PID constants. Refer to *Derivative Action (D)* on page 2-727 in the section on the PIDAT instruction for details.

The larger the value of *DerivativeTime\_Heat* or *DerivativeTime\_Cool* is, the stronger the derivative action is.

### ● ManMV (Manual Manipulated Variable)

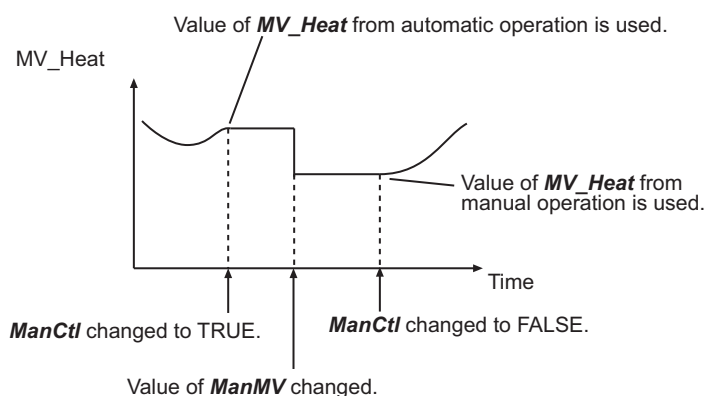
*MV* is set to this value during manual operation (while *ManCtl* is TRUE).

*MV* is set to the value of *ManMV* only when the value of *ManMV* is changed after the operation is switched from automatic to manual mode.

When the operation is switched from automatic to manual mode, the value of *MV* is set to the value of *MV\_Heat* if the value of *MV\_Heat* for the automatic operation is positive, or set to the value of *MV\_Cool* if it is not.

Also, after the operation is switched from manual to automatic mode, the value of *MV* is set to the value of *MV\_Heat* if the value of *MV\_Heat* is positive, or set to the value of *MV\_Cool* if it is not.

The value of *ManMV* does not have to be between *MVLowLmt* and *MVUpLmt*.



### ● ATDone (Autotuning Normal Completion)

This flag indicates when autotuning was completed normally.

It changes to TRUE when autotuning is completed normally, and remains TRUE as long as the value of *StartAT* is TRUE.

It is FALSE in the following cases.

- An autotuning error end occurred.
- Autotuning is in progress (i.e., while the value of *ATBusy* is TRUE).
- Heating/cooling PID control is in progress without autotuning.
- Heating/cooling PID control is not in progress (i.e., the value of *Run* is FALSE).
- The value of *StartAT* is FALSE.

### ● ATBusy (Autotuning Busy)

This flag indicates when autotuning is in progress.

It is TRUE while autotuning is in progress. Otherwise it is FALSE.

- **MV (Manipulated Variable)**

This is the manipulated variable found by the heating/cooling PID processing. *MV\_Heat* and *MV\_Cool* are found by distributing *MV*.

- **MV\_Heat (Manipulated Variable for Heating Control)**

This is the manipulated variable that is applied to the heating device.

- **MV\_Cool (Manipulated Variable for Cooling Control)**

This is the manipulated variable that is applied to the cooling device.

### Heating/Cooling PID Processing

---

Refer to the section on the instruction, *PIDAT* on page 2-716 for details on PID processing.

Heating/cooling PID processing is used to find the manipulated variables using the PID constants for heating control and the PID constants for cooling control.

If *MV* is less than or equal to 0 in the previous processing result, the PID constants for heating control are used. If the previous *MV* is greater than 0, the PID constants for cooling control are used.

### Proportional (P), Integral (I), and Derivative (D) Actions

---

Refer to *Proportional (P), Integral (I), and Derivative (D) Actions* on page 2-725 for the *PIDAT* instruction for details on the proportional action (P), integral action (I), and derivative action (D).

### 2-PID Control with Set Point Filter

---

Refer to *2-PID Control with Set Point Filter* on page 2-729 for the *PIDAT* instruction for details on the 2-PID Control with Set Point Filter.

### Starting PID Control

---

You must use suitable PID constants to execute this instruction. There are two ways to start PID control, depending on whether the optimal values of the PID constants are known or not known.

You can change the values of the PID constants during operation. You can also perform autotuning during operation. To start autotuning during operation, change the value of *StartAT* to TRUE.

- **When Optimum PID Constants Are Not Known**

If you do not know the optimum PID constants, perform autotuning at the start of operation to find them.

Change the value of *Run* to TRUE while the value of *StartAT* is TRUE.

First, autotuning is executed, and then heating/cooling PID control is started with the PID constants that are found.

### ● When Optimum PID Constants Are Known

Set *ProportionalBand\_Heat*, *IntegrationTime\_Heat*, *DerivativeTime\_Heat*, *ProportionalBand\_Cool*, *IntegrationTime\_Cool*, and *DerivativeTime\_Cool* to the optimum PID constants, and then change the value of *Run* to TRUE.

*ProportionalBand\_Heat*, *IntegrationTime\_Heat*, *DerivativeTime\_Heat*, *ProportionalBand\_Cool*, *IntegrationTime\_Cool*, and *DerivativeTime\_Cool* are in-out variables. You cannot set constants for the input parameters. Always define appropriate variables, and then assign the values to input parameters.

## Control Status and Manipulated Variable

Manipulated variable *MV* is determined according to the control status as shown in the following table.

Control status	Value of variable					<i>MV</i> (manipulated variable)	
	<i>ManCtl</i> (manual/ auto control)	<i>Run</i> (execution condition)	<i>Error</i> (error end)	<i>MVTrack Sw</i> (MV tracking switch)	<i>ATBusy</i> (autotuning busy)		
Error end	FALSE	TRUE	TRUE	---	FALSE	<i>ErrorMV</i> (error MV)	
during automatic operation (MV tracking)			---	TRUE		---	<i>MVTrackVal</i> (MV tracking value)
during automatic operation (Autotuning)			FALSE	FALSE	---	TRUE	Value repeatedly changes between upper limit of MV and lower limit of MV.
during automatic operation (Not autotuning)			FALSE	FALSE	---	FALSE	Value calculated with current PID constants.
Instruction execution stopped		FALSE	---	---	FALSE	<i>StopMV</i> <sup>*1</sup> (Stop MV)	
Manual operation	TRUE	---	---	---	<i>ManMV</i> <sup>*2</sup> (manual manipulated variable)		

\*1. If the value of *StopMV* is outside of the valid range, the value of *MV* is 0.

\*2. If the value of *ManMV* is outside of the valid range, the value of *MV* is 0.

## Autotuning

The 2-PID parameter  $\alpha$  is not adjusted very often, so the main parameters that are adjusted for this instruction are the PID constants.

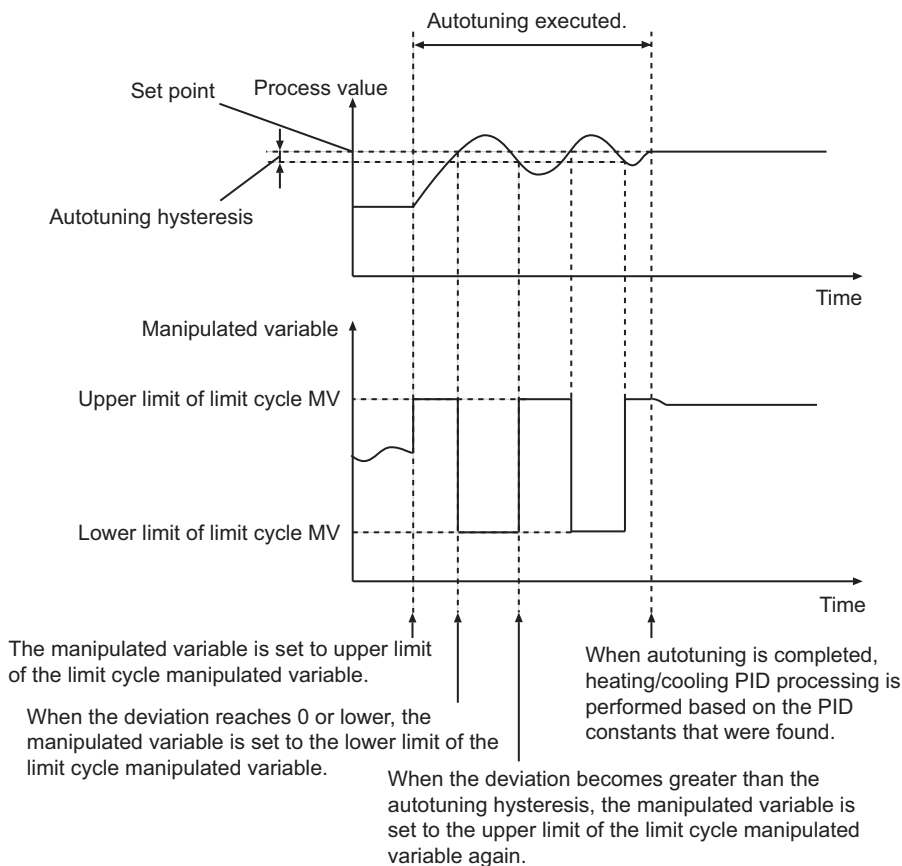
The PIDAT instruction supports autotuning of the PID constants.

The limit cycle method is used for autotuning.

With the limit cycle method, the manipulated variable is temporarily changed to the upper and lower limits of the limit cycle manipulated variable to find the optimum PID constants based on the resulting changes in the process value.

When you start execution of autotuning, the manipulated variable is first set to the upper limit of the limit cycle manipulated variable. When the deviation reaches 0 or lower, the manipulated variable is set to the lower limit of the limit cycle manipulated variable. When the deviation becomes greater than the autotuning hysteresis, the manipulated variable is set to the upper limit of the limit cycle manipulated variable again. This process is repeated two and a half times to calculate the optimum PID constants.

The upper and lower limits of the limit cycle manipulated variable are calculated from the values of the parameters.



Autotuning is executed during heating/cooling PID control (i.e., when the value of *Run* is TRUE) if the value of *StartAT* changes to TRUE. If *StartAT* is TRUE when *Run* changes to TRUE, autotuning is executed at the start of PID control.

When autotuning is completed normally, the calculated PID constants are used immediately.

Autotuning is canceled if the value of *StartAT* changes to FALSE during the autotuning (i.e., when *ATBusy* is TRUE). If autotuning is canceled, heating/cooling PID control is started again with the previous PID constants.

## Execution Timing of Heating/Cooling PID Control

Heating/cooling PID control is repeated periodically. Heating/cooling PID processing is performed when the PIDAT instruction is executed in the user program.

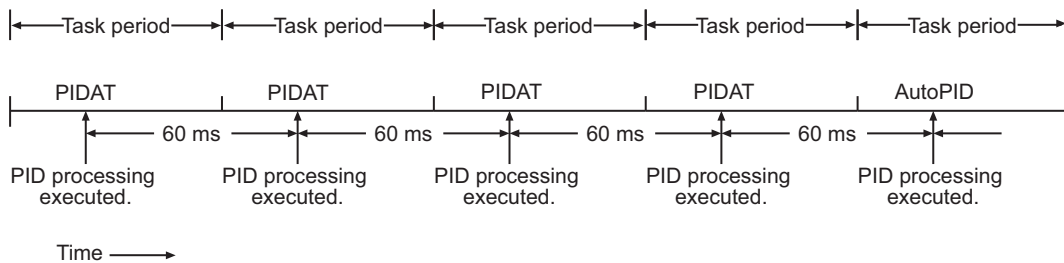
However, heating/cooling PID processing is not executed if the elapsed time since the last execution is shorter than *SampTime*.

If the elapsed time since the last execution exceeds *SampTime*, the excess time (elapsed time - *SampTime*) is carried forward to the next period. See below for details.

Even if this instruction is not executed as a result of the PrgStop or MC instruction, the elapsed time since the last execution of heating/cooling PID processing is set to 0 at the timing shown by *PID processing executed* in the following figures.

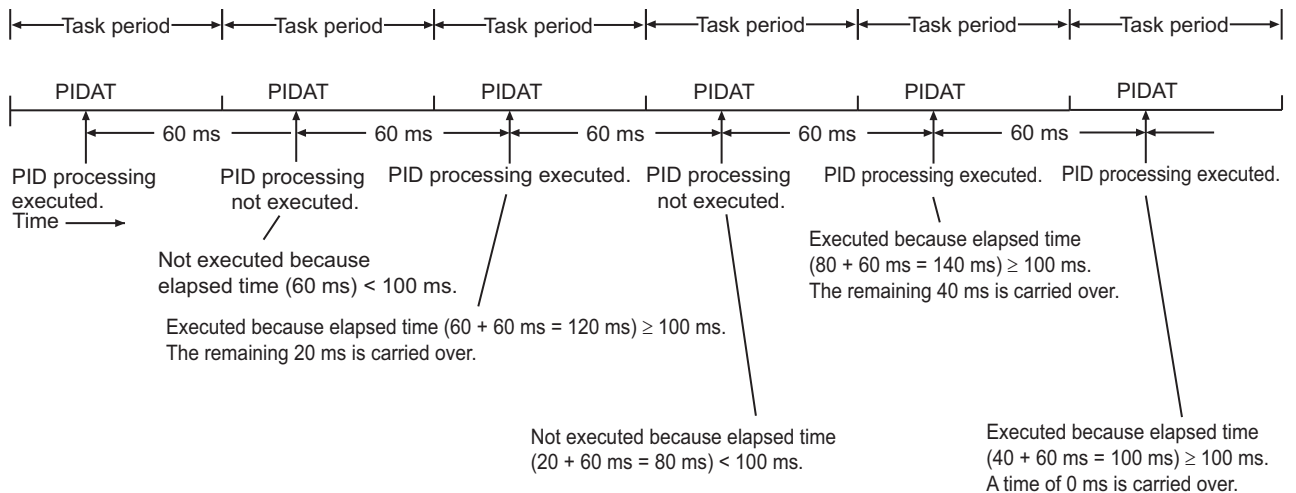
Task period = 60 ms and *SampTime* < 60 ms

The task period is greater than or equal to *SampTime*, so PID processing is executed once every task period.



Task period = 60 ms and *SampTime* = 100 ms

The task period is less than *SampTime*, so DIP processing is not executed every period.



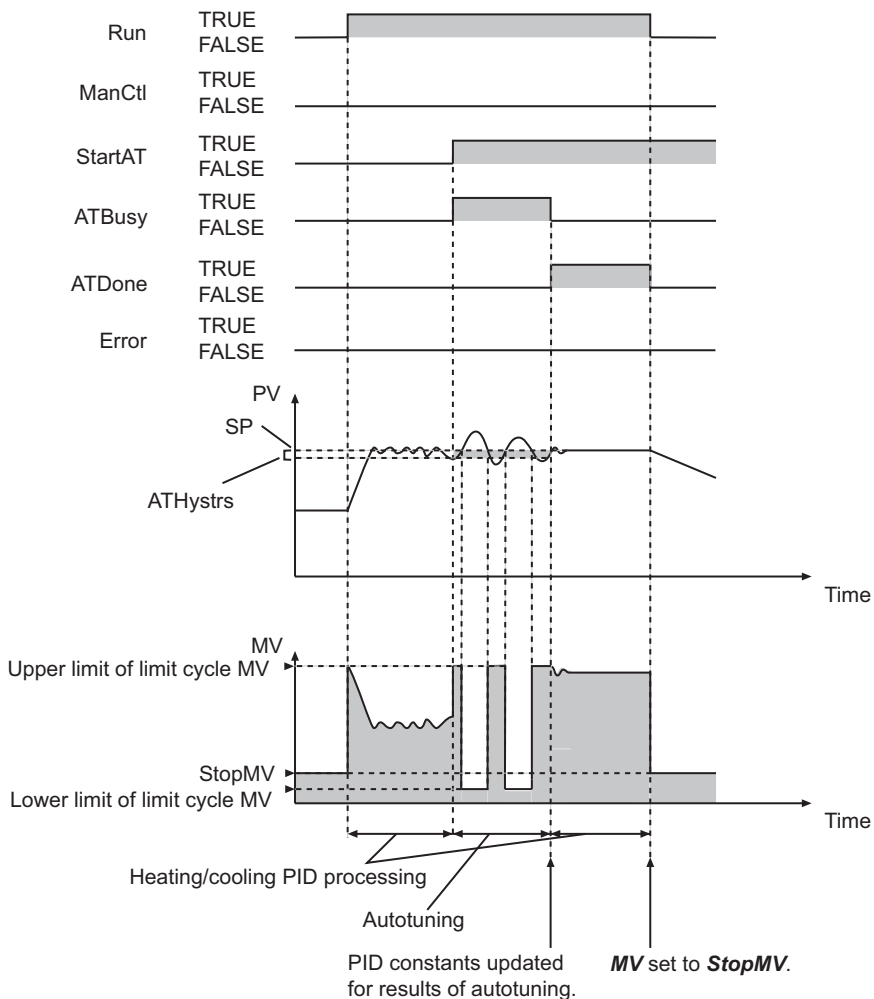
## Timing Charts

Timing charts for the instruction variables are provided below for different situations.

### ● Autotuning Executed during Automatic Operation

- In the following figure, the value of *ManCtl* is FALSE, so the value of *MV* will be *StopMV* as long as the value of *Run* is FALSE.
- When the value of *Run* changes to TRUE, *MV* is output based on the PID constants.

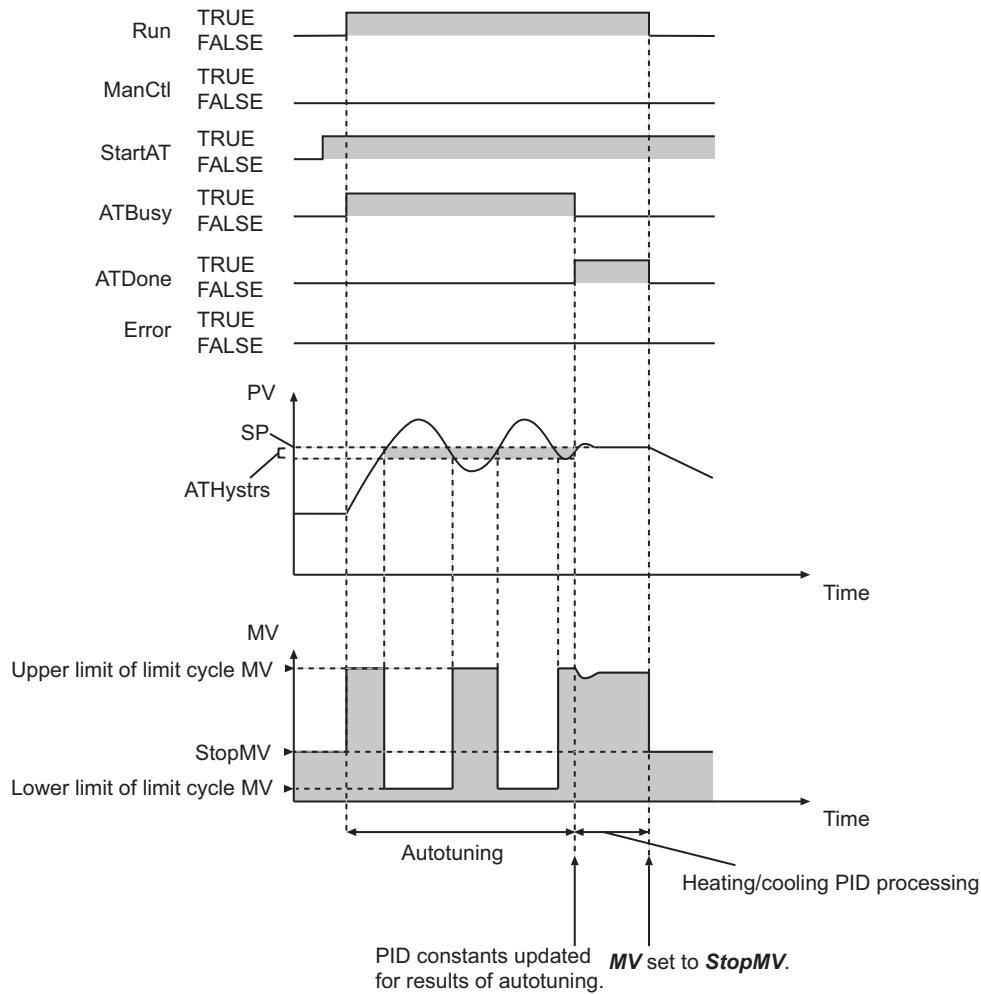
- Autotuning is executed when the value of *StartAT* changes to TRUE. The value of *ATBusy* changes to TRUE.
- When autotuning is completed, the value of *ATBusy* changes to FALSE and the value of *ATDone* changes to TRUE.
- After autotuning is completed, *MV* is output based on the PID constants that were found with autotuning.
- When the value of *Run* changes to FALSE, the value of *MV* changes to *StopMV*. Also, the value of *ATDone* changes to FALSE.



### ● Autotuning Executed at the Start of PIDAT Execution

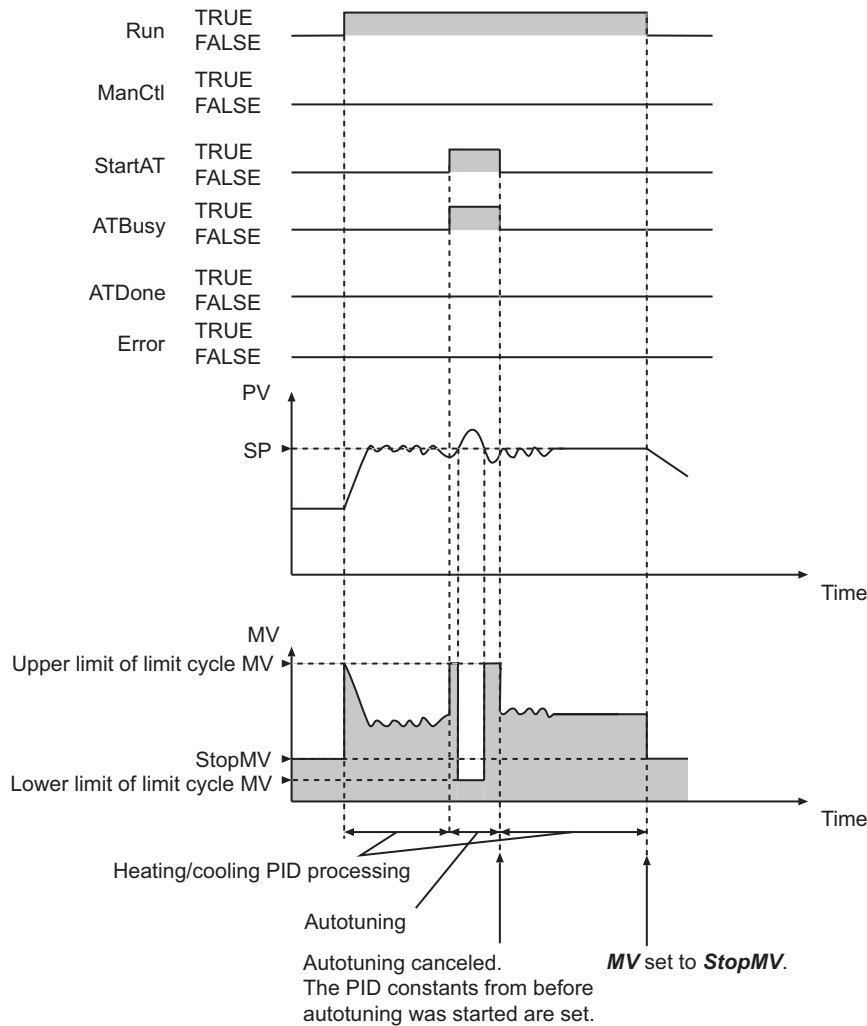
- In the following figure, the value of *ManCtl* is FALSE, so the value of *MV* will be *StopMV* as long as the value of *Run* is FALSE.
- While the value of *Run* is FALSE, autotuning is not executed even if the value of *StartAT* changes to TRUE.
- Autotuning is executed when the values of both *StartAT* and *Run* change to TRUE. The value of *ATBusy* changes to TRUE.
- When autotuning is completed, the value of *ATBusy* changes to FALSE and the value of *ATDone* changes to TRUE.
- After autotuning is completed, *MV* is output based on the PID constants that were found through the autotuning.





### ● Autotuning Canceled

- In the following figure, the value of *ManCtl* is FALSE, so the value of *MV* will be *StopMV* as long as the value of *Run* is FALSE.
- When the value of *Run* changes to TRUE, *MV* is output based on the PID constants.
- Autotuning is executed when the value of *StartAT* changes to TRUE. The value of *ATBusy* changes to TRUE.
- Autotuning is canceled if the value of *StartAT* changes to FALSE during the autotuning. The value of *ATBusy* changes to FALSE.
- After the autotuning is canceled, *MV* is output based on the PID constants which were used just before the start of the autotuning.
- When the value of *Run* changes to FALSE, the value of *MV* changes to *StopMV*.
- The value of *ATDone* does not change to TRUE because the autotuning was aborted.



### ● An Autotuning Error Occurs during Autotuning

An autotuning error occurs and autotuning is stopped in the following cases.

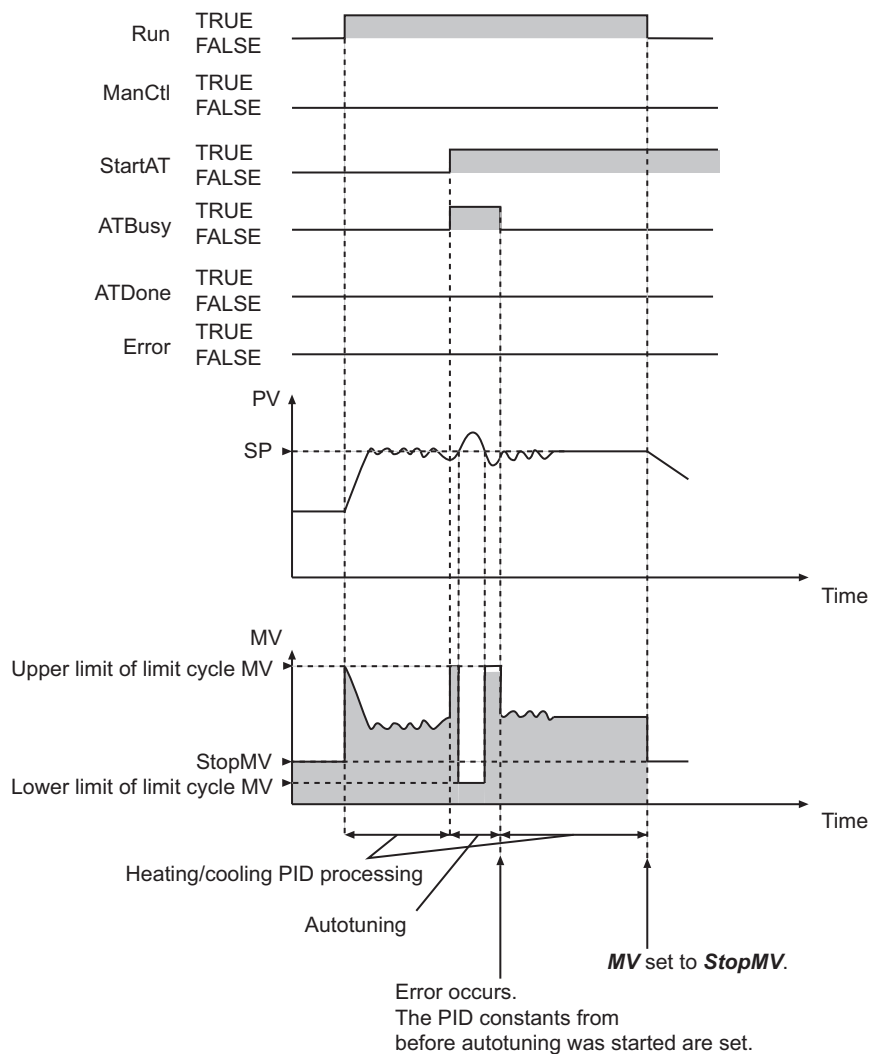
- If the manipulated variable equals the upper limit of the limit cycle manipulated variable and the time for the deviation to reach 0 exceeds 19,999 s.
- If the manipulated variable equals the lower limit of the limit cycle manipulated variable and the time for the deviation to reach  $ATHystrs$  or higher exceeds 19,999 s.

The value of *Error* does not change to TRUE even if an error occurs during autotuning. Autotuning is also not recorded in the event log.

If autotuning is canceled, heating/cooling PID control is started again with the previous PID constants.

- In the following figure, the value of *ManCtl* is FALSE, so the value of *MV* will be *StopMV* as long as the value of *Run* is FALSE.
- When the value of *Run* changes to TRUE, *MV* is output based on the PID constants.
- Autotuning is executed when the value of *StartAT* changes to TRUE. The value of *ATBusy* changes to TRUE.
- Autotuning is canceled immediately if an autotuning error occurs during execution of the autotuning. The value of *ATBusy* changes to FALSE.
- The value of *Error* does not change to TRUE even if an error occurs during autotuning.

- After the autotuning is canceled, *MV* is output based on the PID constants which were used just before the start of the autotuning.
- When the value of *Run* changes to FALSE, the value of *MV* changes to *StopMV*.
- The value of *ATDone* does not change to TRUE because the autotuning was aborted.



## Additional Information

### Adjusting PID Constants

Refer to *Adjusting PID Constants* on page 2-737 for the PIDAT instruction for details on the adjustment methods for PID constants.

### Initial PID Constants for Temperature Control

If you use the PIDAT instruction for temperature control, use the following initial values of the PID constants as reference. Use the default values for the other variables.

Variables	Initial values (reference values) <sup>*1</sup>
ProportionalBand_Heat and ProportionalBand_Cool	10%FS
IntegrationTime_Heat and IntegrationTime_Cool	233 s
DerivativeTime_Heat and DerivativeTime_Cool	40 s

\*1. If you perform autotuning, use the results from autotuning.

## Precautions for Correct Use

- The values of *PV* and *SP* must be between the values of *RngLowLmt* and *RngUpLmt*, inclusive. Align the units of these variables as shown below.

Unit	Values of <i>PV</i> and <i>SP</i>	Values of <i>RngLowLmt</i> and <i>RngUpLmt</i>
% FS	$PV = (\text{Process value in physical units} - \text{MIN}) / (\text{MAX} - \text{MIN}) \times 100^{*1}$ $SP = (\text{Set point in physical units} - \text{MIN}) / (\text{MAX} - \text{MIN}) \times 100^{*1}$	<i>RngLowLmt</i> = 0 <i>RngUpLmt</i> = 100
Physical unit	<i>PV</i> = Process value in physical units <i>SV</i> = Set point in physical units	<i>RngLowLmt</i> = MIN <sup>*1</sup> <i>RngUpLmt</i> = MAX <sup>*1</sup>

\*1. MAX: Upper limit of input range in physical units, MIN: Lower limit of input range in physical units,

- The following table shows which variables can be changed depending on the operating status.

Variables	Control status		
	Instruction execution stopped <sup>*1</sup>	Automatic operation when autotuning is not being executed <sup>*2</sup>	Automatic operation when autotuning is being executed <sup>*3</sup>
Run	Possible	Possible	Possible
ManCtl	Possible	Possible	Possible
StartAT	Possible	Possible	Possible
DeadBand	Possible	Possible	Possible
PV	Possible	Possible	Possible
SP	Possible	Possible	Not possible <sup>*4</sup>
MVLowLmt	Possible	Possible	Not possible <sup>*4</sup>
MVUpLmt	Possible	Possible	Not possible <sup>*4</sup>
ManResetVal <sup>*5</sup>	---	---	---
MVTrackSw	Possible	Possible	Not possible <sup>*4</sup>
MVTrackVal	Possible	Possible	Not possible <sup>*4</sup>
StopMV	Possible	Possible	Possible
ErrorMV	Possible	Possible	Possible
Alpha	Possible	Possible	Not possible <sup>*4</sup>
ATCalcGain	Possible	Possible	Not possible <sup>*4</sup>
ATHystrs	Possible	Possible	Not possible <sup>*4</sup>
CtlPrdCool	Possible	Possible	Not possible <sup>*4</sup>
SampTime	Possible	Not possible <sup>*6</sup>	Not possible <sup>*4</sup>
RngLowLmt	Possible	Not possible <sup>*6</sup>	Not possible <sup>*4</sup>
RngUpLmt	Possible	Not possible <sup>*6</sup>	Not possible <sup>*4</sup>
DirOpr <sup>*5</sup>	---	---	---

Variables	Control status		
	Instruction execution stopped <sup>*1</sup>	Automatic operation when autotuning is not being executed <sup>*2</sup>	Automatic operation when autotuning is being executed <sup>*3</sup>
ProportionalBand_Heat	Possible	Possible	Not possible <sup>*7</sup>
IntegrationTime_Heat	Possible	Possible	Not possible <sup>*7</sup>
Derivative Time_Heat	Possible	Possible	Not possible <sup>*7</sup>
ProportionalBand_Cool	Possible	Possible	Not possible <sup>*7</sup>
IntegrationTime_Cool	Possible	Possible	Not possible <sup>*7</sup>
Derivative Time_Cool	Possible	Possible	Not possible <sup>*7</sup>
ManMV	Possible	Possible	Possible

\*1. *ManCtl* is TRUE, *Run* is FALSE, *Error* is TRUE, or *MVTrackSw* is TRUE.

\*2. *ManCtl* is FALSE, *Run* is TRUE, *Error* is FALSE, *MVTrackSw* is FALSE, and *ATBusy* is FALSE.

\*3. *ManCtl* is FALSE, *Run* is TRUE, *Error* is FALSE, *MVTrackSw* is FALSE, and *ATBusy* is TRUE.

\*4. Autotuning is executed with the value from just before execution of autotuning.

\*5. This instruction does not use this variable. You can change the value, but it is ignored.

\*6. Operation is performed with the value from just before the execution of the operation.

\*7. You can change the value, but it is ignored. When autotuning is completed, the values are overwritten with the values calculated with autotuning.

- *SampTime* is truncated below 100 nanoseconds.
- If the value of *StartAT* changes to TRUE while the value of *ManCtl* is TRUE, autotuning starts the next time the value of *ManCtl* changes to FALSE.
- If the value of *ErrorMV* is not within the valid range (-320 to 320), the value of *MV* will be 0 when an error occurs.
- Autotuning is canceled if the value of *ManCtl* changes to TRUE during the autotuning.
- The value of *Error* does not change to TRUE even if an error occurs during autotuning. Autotuning is not recorded in the event log.
- An error occurs in the following case.  
*Error* will change to TRUE, and the error code is assigned to *ErrorID*.  
*ATDone* and *ATBusy* change to FALSE.  
*MV* is set to the value of *ErrorMV* if the values of *ManCtl* and *Run* are FALSE. If the value of *ErrorMV* is outside the valid range, the value of *MV* is 0.

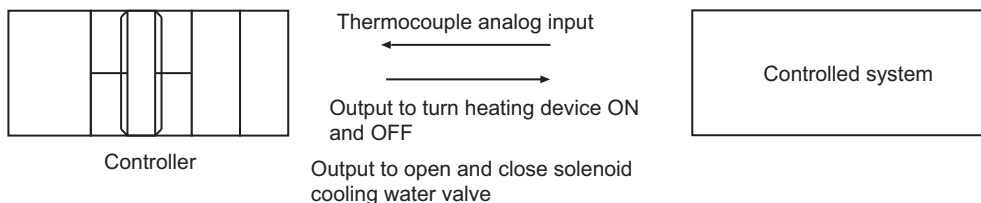
Error	Value of <i>ErrorID</i>
The value of an input variable is outside of the valid range.	16#0400
<i>RngLowLmt</i> is greater than or equal to <i>RngUpLmt</i> . <i>MVLowLmt</i> is greater than or equal to <i>MVUpLmt</i> .	16#0401

- If an error stop is required for conditions other than the above, program the system so that the value of *Run* changes to FALSE when the error occurs.
- If an error occurs because the value of *PV* or *SP* exceeds the valid range, the error status is maintained for five seconds even if the value returns to within the valid range sooner. That is, the value of *Error* will remain FALSE for five seconds.
- Heating/cooling PID control is restarted automatically if the value of *Run* is TRUE after the error is reset. Autotuning is restarted automatically if the values of *Run* and *StartAT* are TRUE.
- A check is made for errors each sampling period.

- If backup and restore operations are performed under the following conditions, the PID constant values obtained through autotuning will revert to the previous values calculated before the backup operation. Use it with caution.
  - a) A Retain attribute is specified for the in-out parameters.
  - b) The operations are performed in the following order: backup, autotuning, and then restore.
- When you change from automatic operation to manual operation, the value of *MV\_Heat* or *MV\_Cool*, whichever is positive, is taken on to achieve bumpless operation (i.e., to prevent abrupt changes). Therefore, the value of the other variable may change abruptly.

## Sample Programming

In this sample, the PIDAT\_HeatCool instruction is used to perform temperature control. There is one analog thermocouple input from the controlled system. There are two outputs to the controlled system, a heating digital output and a cooling digital output. The heating digital output turns the heating device ON and OFF. The cooling digital output opens and closes the solenoid valve for the cooling water.



## Unit Configuration

The following Units are connected.

- CJ1W-AD04U Isolated-type Universal Input Unit
- CJ1W-OC201 Relay Contact Output Unit

## I/O Map

The I/O maps for the Units are set as shown in the following tables.

### ● CJ1W-AD04U

Port	Description	Read/write	Data type	Variable	Variable comment	Variable type
Ch1_AllnPv	Process value for input 1	R	INT	J01_Ch1_AllnPv	Thermocouple input	Global variable

### ● CJ1W-OC201

Port	Description	Read/write	Data type	Variable	Variable comment	Variable type
Ch1_Out00	Bit 00 of output word 1	RW	BOOL	J02_Ch1_Out00	Output to heating device	Global variable

Port	Description	Read/write	Data type	Variable	Variable comment	Variable type
Ch1_Out04	Bit 04 of output word 1	RW	BOOL	J02_Ch1_Out04	Output to cooling device	Global variable

## Touch Panel Specifications

This sample assumes that a touch panel is connected to the Controller. The following I/O information is handled through the touch panel.

I/O	Information
Inputs	Sample programming execution flag
	Manual/auto control flag
	Set point
	Autotuning execution flag
	Deadband
	Initial setting parameters
	Operation setting parameters
I/O	Proportional band, integration time, and derivative time for heating control
	Proportional band, integration time, and derivative time for cooling control
	Manual manipulated variable
Outputs	Process value
	Autotuning normal completion flag
	Autotuning executing flag
	Error flag
	Manipulated variable
	Manipulated variable for heating control
Manipulated variable for cooling control	

## Converting the Manipulated Variables to Time-proportional Outputs

In this sample, a digital ON/OFF output is used for both the heating device and the cooling device. Therefore, it is necessary to convert the manipulated variables for the heating and cooling devices to time-proportional outputs.

The instruction, *TimeProportionalOut* on page 2-785 converts a manipulated variable to a time-proportional output.

However, during autotuning, the outputs to the heating and cooling devices must be changed immediately after the *MV\_Heat* and *MV\_Cool* outputs from the PIDAT\_HeatCool instruction change. Therefore, the TimeProportionalOut instruction cannot be used.

If the TimeProportionalOut instruction was used, the outputs to the heating and cooling devices would change only at the control period that was set by the user. In this sample, timer instructions are used to convert the manipulated variables to time-proportional outputs during autotuning.

## Definitions of Global Variables

### ● Global Variables

Variable	Data type	Initial value	AT	Re- tain	Network Publish	Comment
J01_Ch1_AllnP V	INT	0	IOBus://rack#0/ slot#0/ Ch1_AllnP	<input type="checkbox"/>	Not pub- lished.	Thermocouple input from CJ1W-AD04U
J02_Ch1_Out00	BOOL	FALSE	IOBus://rack#0/ slot#1/Ch1_Out/ Ch1_Out00	<input type="checkbox"/>	Not pub- lished.	Heating output to CJ1W- OC201
J02_Ch1_Out04	BOOL	FALSE	IOBus://rack#0/ slot#1/Ch1_Out/ Ch1_Out04	<input type="checkbox"/>	Not pub- lished.	Cooling output to CJ1W- OC201
PTIn_Run	BOOL	FALSE		<input checked="" type="checkbox"/>	Input	Sample programming execu- tion flag input from touch panel
PTIn_ManCtl	BOOL	FALSE		<input checked="" type="checkbox"/>	Input	Manual/auto control flag in- put from touch panel
PTIn_SP	REAL			<input checked="" type="checkbox"/>	Input	Set point input from touch panel
PTIn_StartAT	BOOL	FALSE		<input checked="" type="checkbox"/>	Input	Autotuning execution flag in- put from touch panel
PTIn_Dead- Band	REAL	0		<input checked="" type="checkbox"/>	Input	Deadband input from touch panel
PTIn_InitParam	_sl- NIT_SET_PA RAMS	(SampTime := T#100 ms, RngLowLmt := 0.0, RngUpLmt := 100.0, DirOpr := False)		<input checked="" type="checkbox"/>	Input	Initial setting parameter input from touch panel
PTIn_InitSe- tOpr_SampTime	LINT	100		<input checked="" type="checkbox"/>	Input	Sampling period input from touch panel (unit: ms)
PTIn_OprParam	_sOPR_SET PARAMS	(MVLowLmt := -100, MVUpLmt := 100, ManResetV- al := 0.0, MVTrackSw := False, MVTrackV- al := 0.0, StopMV := 0.0, Er- rorMV := 0.0, Al- pha := 0.65, AT- CalcGain := 1.0, ATHystrs := 0.2)		<input checked="" type="checkbox"/>	Input	Operation setting parameter input from touch panel
PTOut_PV	REAL	0		<input type="checkbox"/>	Output	Process value output to touch panel
PT_PB_Heat	REAL	1		<input checked="" type="checkbox"/>	Input	Proportional band for heat- ing control I/O from touch panel



Variable	Data type	Initial value	AT	Re- tain	Network Publish	Comment
PT_TI_Heat	LINT	1000		<input checked="" type="checkbox"/>	Input	Integration time for heating control I/O from touch panel (unit: ms)
PT_TD_Heat	LINT	1000		<input checked="" type="checkbox"/>	Input	Derivative time for heating control I/O from touch panel (unit: ms)
PT_PB_Cool	REAL	1		<input checked="" type="checkbox"/>	Input	Proportional band for cooling control I/O from touch panel
PT_TI_Cool	LINT	1000		<input checked="" type="checkbox"/>	Input	Integration time for cooling control I/O from touch panel (unit: ms)
PT_TD_Cool	LINT	1000		<input checked="" type="checkbox"/>	Input	Derivative time for cooling control I/O from touch panel (unit: ms)
PT_ManMV	REAL	0		<input checked="" type="checkbox"/>	Input	Manual manipulated variable I/O from touch panel
PTOut_ATDone	BOOL	FALSE		<input type="checkbox"/>	Output	Autotuning normal completion flag output to touch panel
PTOut_ATBusy	BOOL	FALSE		<input type="checkbox"/>	Output	Autotuning executing flag output to touch panel
PTOut_Error	BOOL	FALSE		<input type="checkbox"/>	Output	Error flag output to touch panel
PTOut_MV	REAL	0		<input type="checkbox"/>	Output	Manipulated variable output to touch panel
PTOut_MVHeat	REAL	0		<input type="checkbox"/>	Output	Manipulated variable for heating control output to touch panel
PTOut_MVCool	REAL	0		<input type="checkbox"/>	Output	Manipulated variable for cooling control output to touch panel

## LD

Internal Variables	Variable	Data type	Initial value	Comment
	PB_Heat	REAL	0	Proportional band for heating control
	PB_Cool	REAL	0	Proportional band for cooling control
	MV	REAL	0	Manipulated variable
	MV_Heat	REAL	0	Manipulated variable for heating control
	MV_Cool	REAL	0	Manipulated variable for cooling control
	PIDAT_HeatCool_inst	PIDAT_HeatCool		Instance of PIDAT_HeatCool instruction
	TI_Heat	TIME	T#0 s	Integration time for heating control
	TI_Cool	TIME	T#0 s	Integration time for cooling control
	TD_Heat	TIME	T#0 s	Derivative time for heating control

Internal Variables	Variable	Data type	Initial value	Comment
	TD_Cool	TIME	T#0 s	Derivative time for cooling control
	ManMV	REAL	0	Manual manipulated variable
	CtlPrd_Cool	TIME	T#20 s	Cooling control period
	CtlPrd_Heat	TIME	T#2 s	Heating control period
	TPOHeat_inst	TimeProportionalOut		Instance of TimeProportionalOut instruction for heating control
	TPOCool_inst	TimeProportionalOut		Instance of TimeProportionalOut instruction for cooling control
	ATHeatPhase	BOOL	FALSE	Autotuning heating control flag
	ATCoolPhase	BOOL	FALSE	Autotuning cooling control flag
	MVHeatTime	TIME	T#0 s	Autotuning heating control time
	MVCoolTime	TIME	T#0 s	Autotuning cooling control time
	AT_Heat_inst	TP		Instance of TP instruction for heating control manipulated variable output during autotuning
	AT_Cool_inst	TP		Instance of TP instruction for cooling control manipulated variable output during autotuning
	EachCtlPrd_ATHeat_inst	TON		Instance of TON instruction for heating control manipulated variable output during autotuning
	EachCtlPrd_ATCool_inst	TON		Instance of TON instruction for cooling control manipulated variable output during autotuning
	PV	REAL	0	Process value

External Variables	Variable	Data type	Comment
	J01_Ch1_AllnPv	INT	Thermocouple input from CJ1W-AD04U
	J02_Ch1_Out00	BOOL	Heating output to CJ1W-OC201
	J02_Ch1_Out04	BOOL	Cooling output to CJ1W-OC201
	PTIn_Run	BOOL	Sample programming execution flag input from touch panel
	PTIn_ManCtl	BOOL	Manual/auto control flag input from touch panel
	PTIn_SP	REAL	Set point input from touch panel
	PTIn_StartAT	BOOL	Autotuning execution flag input from touch panel
	PTIn_DeadBand	REAL	Deadband input from touch panel
	PTIn_InitParam	_sINIT_SET_PARAMS	Initial setting parameter input from touch panel
	PTIn_InitSetOpr_SampTime	LINT	Sampling period input from touch panel (unit: ms)
	PTIn_OprParam	_sOPR_SET_PARAMS	Operation setting parameter input from touch panel
	PTOut_PV	REAL	Process value output to touch panel

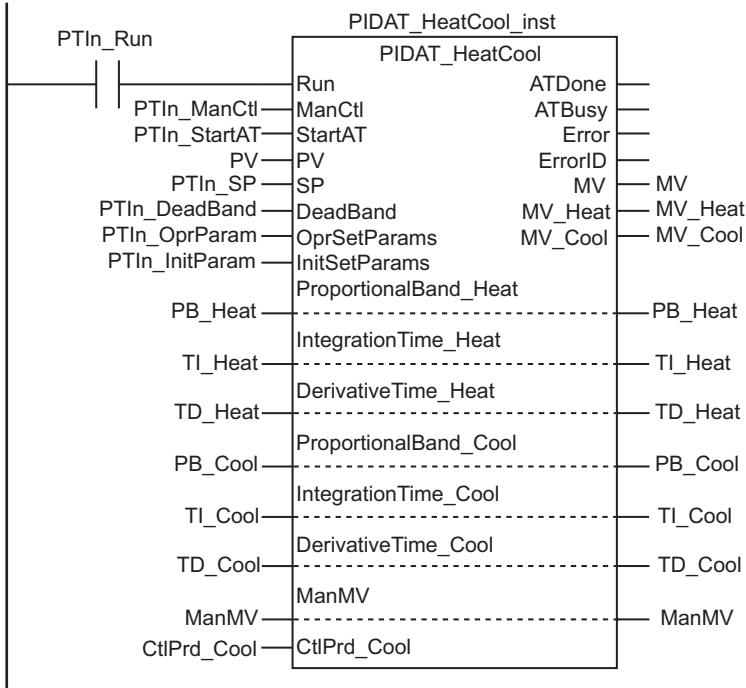
External Variables	Variable	Data type	Comment
	PT_PB_Heat	REAL	Proportional band for heating control I/O from touch panel
	PT_TI_Heat	LINT	Integration time for heating control I/O from touch panel (unit: ms)
	PT_TD_Heat	LINT	Derivative time for heating control I/O from touch panel (unit: ms)
	PT_PB_Cool	REAL	Proportional band for cooling control I/O from touch panel
	PT_TI_Cool	LINT	Integration time for cooling control I/O from touch panel (unit: ms)
	PT_TD_Cool	LINT	Derivative time for cooling control I/O from touch panel (unit: ms)
	PT_ManMV	REAL	Manual manipulated variable I/O from touch panel
	PTOut_ATDone	BOOL	Autotuning normal completion flag output to touch panel
	PTOut_ATBusy	BOOL	Autotuning executing flag output to touch panel
	PTOut_Error	BOOL	Error flag output to touch panel
	PTOut_MV	REAL	Manipulated variable output to touch panel
	PTOut_MVHeat	REAL	Manipulated variable for heating control output to touch panel
	PTOut_MVCool	REAL	Manipulated variable for cooling control output to touch panel

Convert unit of input values from CJ1W-AD04U and touch panel.

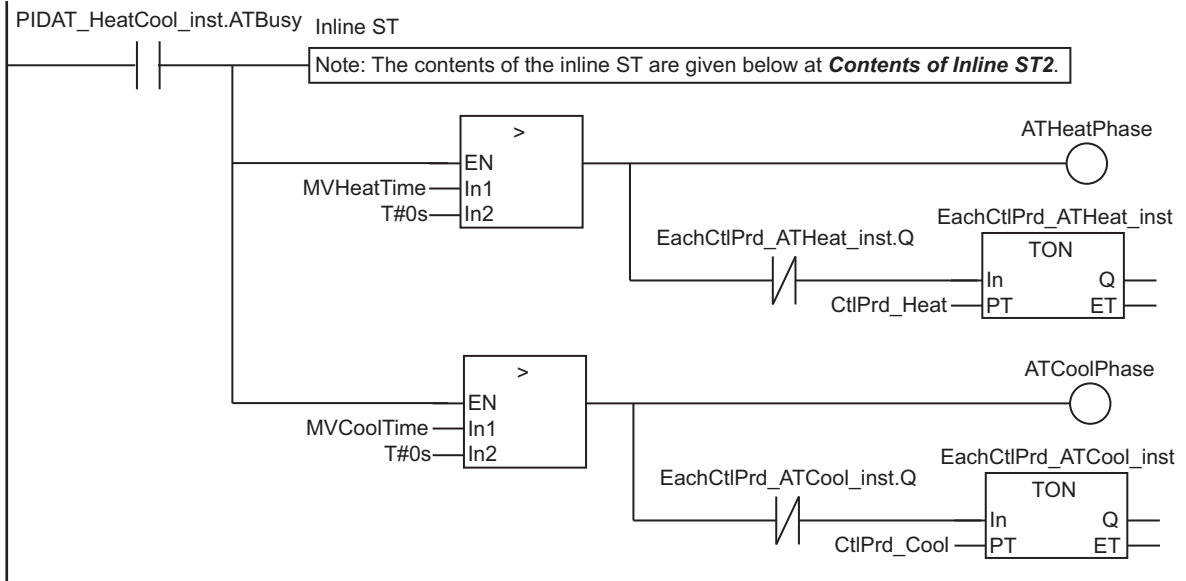
Inline ST

Note: The contents of the inline ST are given below at **Contents of Inline ST1**.

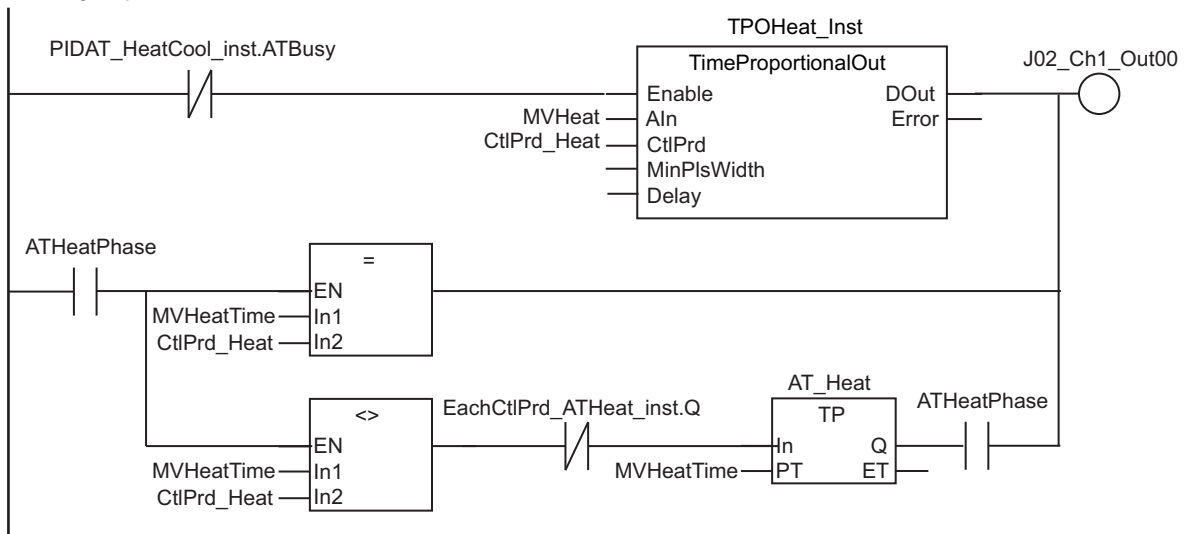
Execute PIDAT\_HeatCool instruction.



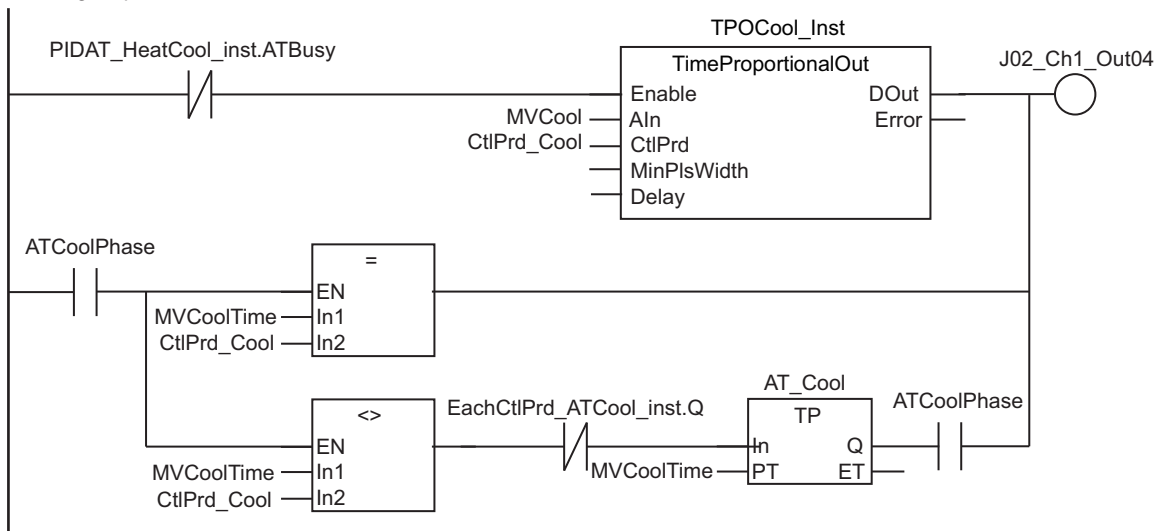
Prepare to convert to time-proportional outputs during execution of autotuning.



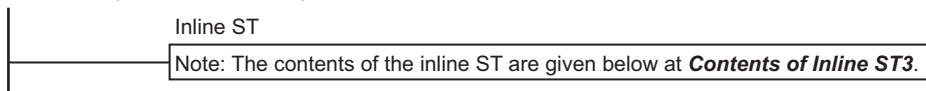
Heating output to CJ1W-OC201



Cooling output to CJ1W-OC201



Create output values to touch panel.



### ● Contents of Inline ST1

```
// Convert unit of input values from CJ1W-AD04U and touch panel.
PV := INT_TO_REAL(J01_Ch1_AIInPV)/REAL#10.0;

PTIn_InitParam.SampTime := NanoSecToTime(PTIn_InitSetOpr_SampTime*1000000);

PB_Heat := PT_PB_Heat;
TI_Heat := NanoSecToTime(PT_TI_Heat*1000000);
TD_Heat := NanoSecToTime(PT_TD_Heat*1000000);
PB_Cool := PT_PB_Cool;
TI_Cool := NanoSecToTime(PT_TI_Cool*1000000);
```

```

TD_Cool := NanoSecToTime(PT_TD_Cool*1000000);

ManMV := PT_ManMV;

```

### ● Contents of Inline ST2

```

MVHeatTime := MULTIME(CtlPrd_Heat, (MV_Heat/100));
MVCoolTime := MULTIME(CtlPrd_Cool, (MV_Cool/100));

```

### ● Contents of Inline ST3

```

// Create output values to touch panel.
PTOut_PV := PV;

PTOut_ATDone := PIDAT_HeatCool_inst.ATDone;
PTOut_ATBusy := PIDAT_HeatCool_inst.ATBusy;
PTOut_Error := PIDAT_HeatCool_inst.Error;

PTOut_MV := PIDAT_HeatCool_inst.MV;
PTOut_MVHeat := PIDAT_HeatCool_inst.MV_Heat;
PTOut_MVCool := PIDAT_HeatCool_inst.MV_Cool;

PT_PB_Heat := PB_Heat;
PT_TI_Heat := TimeToNanoSec( TI_Heat )/1000000;
PT_TD_Heat := TimeToNanoSec( TD_Heat )/1000000;

PT_PB_Cool := PB_Cool;
PT_TI_Cool := TimeToNanoSec( TI_Cool )/1000000;
PT_TD_Cool := TimeToNanoSec( TD_Cool )/1000000;

PT_ManMV := ManMV;

```

## ST

Internal Variables	Variable	Data type	Initial value	Comment
	PB_Heat	REAL	0	Proportional band for heating control
	PB_Cool	REAL	0	Proportional band for cooling control
	MV	REAL	0	Manipulated variable
	MV_Heat	REAL	0	Manipulated variable for heating control
	MV_Cool	REAL	0	Manipulated variable for cooling control
	PIDAT_HeatCool_inst	PIDAT_HeatCool		Instance of PIDAT_HeatCool instruction
	TI_Heat	TIME	T#0 s	Integration time for heating control
	TI_Cool	TIME	T#0 s	Integration time for cooling control
	TD_Heat	TIME	T#0 s	Derivative time for heating control

Internal Variables	Variable	Data type	Initial value	Comment
	TD_Cool	TIME	T#0 s	Derivative time for cooling control
	ManMV	REAL	0	Manual manipulated variable
	CtlPrd_Cool	TIME	T#20 s	Cooling control period
	CtlPrd_Heat	TIME	T#2 s	Heating control period
	TPOHeat_inst	TimeProportionalOut		Instance of TimeProportionalOut instruction for heating control
	TPOCool_inst	TimeProportionalOut		Instance of TimeProportionalOut instruction for cooling control
	ATHeatPhase	BOOL	FALSE	Autotuning heating control flag
	ATCoolPhase	BOOL	FALSE	Autotuning cooling control flag
	MVHeatTime	TIME	T#0 s	Autotuning heating control time
	MVCoolTime	TIME	T#0 s	Autotuning cooling control time
	AT_Heat_inst	TP		Instance of TP instruction for heating control manipulated variable output during autotuning
	AT_Cool_inst	TP		Instance of TP instruction for cooling control manipulated variable output during autotuning
	EachCtlPrd_ATHeat_inst	TON		Instance of TON instruction for heating control manipulated variable output during autotuning
	EachCtlPrd_ATCool_inst	TON		Instance of TON instruction for cooling control manipulated variable output during autotuning
	PV	REAL	0	Process value

External Variables	Variable	Data type	Comment
	J01_Ch1_AllnPv	INT	Thermocouple input from CJ1W-AD04U
	J02_Ch1_Out00	BOOL	Heating output to CJ1W-OC201
	J02_Ch1_Out04	BOOL	Cooling output to CJ1W-OC201
	PTIn_Run	BOOL	Sample programming execution flag input from touch panel
	PTIn_ManCtl	BOOL	Manual/auto control flag input from touch panel
	PTIn_SP	REAL	Set point input from touch panel
	PTIn_StartAT	BOOL	Autotuning execution flag input from touch panel
	PTIn_DeadBand	REAL	Deadband input from touch panel
	PTIn_InitParam	_sINIT_SET_PARAMS	Initial setting parameter input from touch panel
	PTIn_InitSetOpr_SampTime	LINT	Sampling period input from touch panel (unit: ms)
	PTIn_OprParam	_sOPR_SET_PARAMS	Operation setting parameter input from touch panel
	PTOut_PV	REAL	Process value output to touch panel

External Variables	Variable	Data type	Comment
	PT_PB_Heat	REAL	Proportional band for heating control I/O from touch panel
	PT_TI_Heat	LINT	Integration time for heating control I/O from touch panel (unit: ms)
	PT_TD_Heat	LINT	Derivative time for heating control I/O from touch panel (unit: ms)
	PT_PB_Cool	REAL	Proportional band for cooling control I/O from touch panel
	PT_TI_Cool	LINT	Integration time for cooling control I/O from touch panel (unit: ms)
	PT_TD_Cool	LINT	Derivative time for cooling control I/O from touch panel (unit: ms)
	PT_ManMV	REAL	Manual manipulated variable I/O from touch panel
	PTOut_ATDone	BOOL	Autotuning normal completion flag output to touch panel
	PTOut_ATBusy	BOOL	Autotuning executing flag output to touch panel
	PTOut_Error	BOOL	Error flag output to touch panel
	PTOut_MV	REAL	Manipulated variable output to touch panel
	PTOut_MVHeat	REAL	Manipulated variable for heating control output to touch panel
	PTOut_MVCool	REAL	Manipulated variable for cooling control output to touch panel

```
// Convert unit of input values from CJ1W-AD04U and touch panel.
PV := INT_TO_REAL(J01_Ch1_AIInPV)/REAL#10.0;

PTIn_InitParam.SampTime := NanoSecToTime(PTIn_InitSetOpr_SampTime*1000000);

PB_Heat := PT_PB_Heat;
TI_Heat := NanoSecToTime(PT_TI_Heat*1000000);
TD_Heat := NanoSecToTime(PT_TD_Heat*1000000);

PB_Cool := PT_PB_Cool;
TI_Cool := NanoSecToTime(PT_TI_Cool*1000000);
TD_Cool := NanoSecToTime(PT_TD_Cool*1000000);

ManMV := PT_ManMV;

// Execute PIDAT_HeatCool instruction.
PIDAT_HeatCool_inst(Run :=PTIn_Run,
  ManCtl :=PTIn_ManCtl,
  StartAT :=PTIn_StartAT,
  PV :=PV,
```



```

SP :=PTIn_SP,
DeadBand :=PTIn_DeadBand,
OprSetParams :=PTIn_OprParam,
InitSetParams :=PTIn_InitParam,
ProportionalBand_Heat :=PB_Heat,
IntegrationTime_Heat :=TI_Heat,
DerivativeTime_Heat :=TD_Heat,
ProportionalBand_Cool :=PB_Cool,
IntegrationTime_Cool :=TI_Cool,
DerivativeTime_Cool :=TD_Cool,
ManMV :=ManMV,
CtlPrd_Cool :=CtlPrd_Cool,
MV =>MV,
MV_Heat =>MV_Heat,
MV_Cool =>MV_Cool);

// Prepare to convert to time-proportional outputs during execution of autotuning.
IF PIDAT_HeatCool_inst.ATBusy THEN
    MVHeatTime := MULTIME(CtlPrd_Heat, (MV_Heat/100) );
    MVCoolTime := MULTIME(CtlPrd_Cool, (MV_Cool/100) );
END_IF;

ATHeatPhase := PIDAT_HeatCool_inst.ATBusy & (MVHeatTime>T#0s);
EachCtlPrd_ATHeat_inst(In:= ATHeatPhase & NOT(EachCtlPrd_ATHeat_inst.Q),
    PT:= CtlPrd_Heat);

ATCoolPhase := PIDAT_HeatCool_inst.ATBusy & (MVCoolTime>T#0s);
EachCtlPrd_ATCool_inst(In:= ATCoolPhase & NOT(EachCtlPrd_ATCool_inst.Q),
    PT:= CtlPrd_Cool);

// Heating output to CJ1W-OC201
TPOHeat_inst(Enable :=NOT(PIDAT_HeatCool_inst.ATBusy),
    AIn :=MV_Heat,
    CtlPrd :=CtlPrd_Heat );
AT_Heat_inst(In:= ATHeatPhase & (MVHeatTime<>CtlPrd_Heat) & NOT(EachCtlPrd_ATHeat_inst.Q) ,
    PT:= MVHeatTime);
J02_Ch1_Out00 :=( TPOHeat_inst.DOut ) OR
    ( ATHeatPhase & (MVHeatTime=CtlPrd_Heat)) OR
    ( AT_Heat_inst.Q & ATHeatPhase );

// Cooling output to CJ1W-OC201
TPOCool_inst(Enable :=NOT(PIDAT_HeatCool_inst.ATBusy),
    AIn :=MV_Cool,
    CtlPrd :=CtlPrd_Cool );
AT_Cool_inst(In:= ATCoolPhase & (MVCoolTime<>CtlPrd_Cool) & NOT(EachCtlPrd_ATCool_inst.Q) ,

```

```
PT:= MVCoolTime);
J02_Ch1_Out04 :=( TPOCool_inst.DOut ) OR
  ( ATCoolPhase & (MVCoolTime=CtlPrd_Cool)) OR
  ( AT_Cool_inst.Q & ATCoolPhase );

// Create output values to touch panel.
PTOut_PV := PV;

PTOut_ATDone := PIDAT_HeatCool_inst.ATDone;
PTOut_ATBusy := PIDAT_HeatCool_inst.ATBusy;
PTOut_Error := PIDAT_HeatCool_inst.Error;

PTOut_MV := PIDAT_HeatCool_inst.MV;
PTOut_MVHeat := PIDAT_HeatCool_inst.MV_Heat;
PTOut_MVCool := PIDAT_HeatCool_inst.MV_Cool;

PT_PB_Heat := PB_Heat;
PT_TI_Heat := TimeToNanoSec(TI_Heat)/1000000;
PT_TD_Heat := TimeToNanoSec(TD_Heat)/1000000;

PT_PB_Cool := PB_Cool;
PT_TI_Cool := TimeToNanoSec(TI_Cool)/1000000;
PT_TD_Cool := TimeToNanoSec(TD_Cool)/1000000;

PT_ManMV := ManMV;
```

# TimeProportionalOut

The TimeProportionalOut instruction converts a manipulated variable to a time-proportional output.

Instruction	Name	FB/ FUN	Graphic expression	ST expression
TimeProportionalOut	Time-proportional Output	FB		TimeProportionalOut_instance( Enable, Aln, CtlPrd, MinPlsWidth, Delay, DOut, Error);



## Version Information

A CPU Unit with unit version 1.02 or later and Sysmac Studio version 1.03 or higher are required to use this instruction.

## Variables

	Meaning	I/O	Description	Valid range	Unit	Default
Enable	Enable	Input	TRUE: Execute FALSE: Reset time-proportional output	Depends on data type.	---	FALSE
Aln	Manipulated variable		Manipulated variable	0 to 100	%	0
CtlPrd	Control period		Control period of time-proportional output	T#0.1 s to T#100 s	s	T#2 s
MinPlsWidth	Minimum pulse width		Minimum pulse width	0 to 50	%	1
Delay	Delay		ON-delay time	0 to 100	%	0
DOut	Time-proportional output	Output	TRUE: Time-proportional output is ON. FALSE: Time-proportional output is OFF.	Depends on data type.	---	---

	Boolean	Bit strings					Integers							Real numbers		Times, durations, dates, and text strings				
	BOOL	BYTE	WORD	DWORD	LWORD	USINT	UINT	UDINT	ULINT	SINT	INT	DINT	LINT	REAL	LREAL	TIME	DATE	TOD	DT	STRING
Enable	OK																			
Aln														OK						
CtlPrd																OK				
MinPlsWidth														OK						
Delay														OK						
DOut	OK																			

## Function

The TimeProportionalOut instruction converts a manipulated variable, such as the one for PID control, to a time-proportional output.

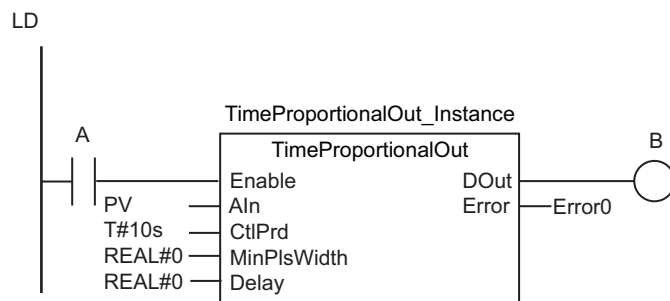
A time-proportional output converts a manipulated variable to a time ratio between ON and OFF.

While *Enable* is TRUE, the value of manipulated variable *AIn* is converted to time-proportional output *DOut* for control period *CtlPrd*.

If *Enable* changes to FALSE, the time-proportional output is reset.

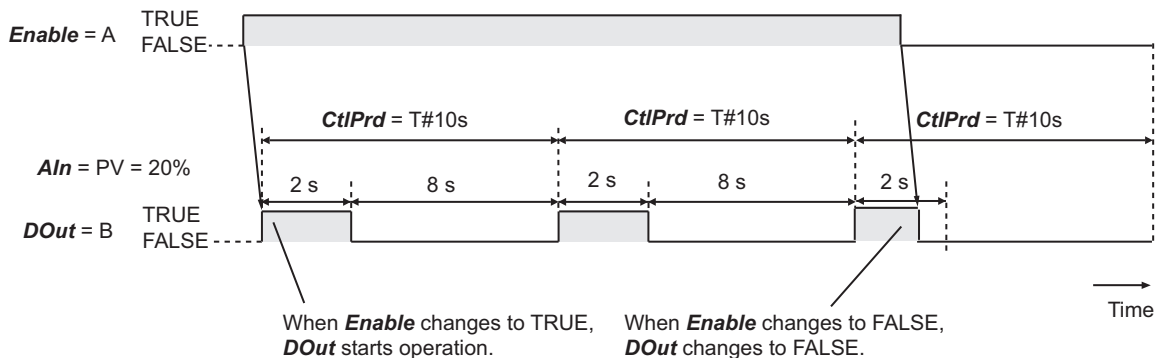
*DOut* and *Error* change to FALSE. The values of *CtlPrd*, *MinPlsWidth*, and *Delay* are updated when *Enable* changes from FALSE to TRUE.

The following example is for when the value of *CtlPrd* is 10 s and the value of *AIn* is 20%. While *Enable* is TRUE, *DOut* is TRUE for two seconds and then FALSE for eight seconds. This is repeated in a 10-second cycle.



ST

```
TimeProportionalOut_instance(A,PV,T#10s,REAL#0,REAL#0,B,Error0);
```



## Resolution of Time-proportional Output *DOut*

The minimum unit for the conversion of the value of *AIn* to *DOut* is referred to as the resolution of *DOut*.

If the resolution of the value of *AIn* is higher than the resolution of *DOut*, *AIn* is rounded according to the resolution of *DOut* when it is converted to *DOut*.

The resolution of *DOut* is given by the following formula.

$$\text{Resolution of } DOut (\%) = \text{Task period} / CtlPrd \times 100$$

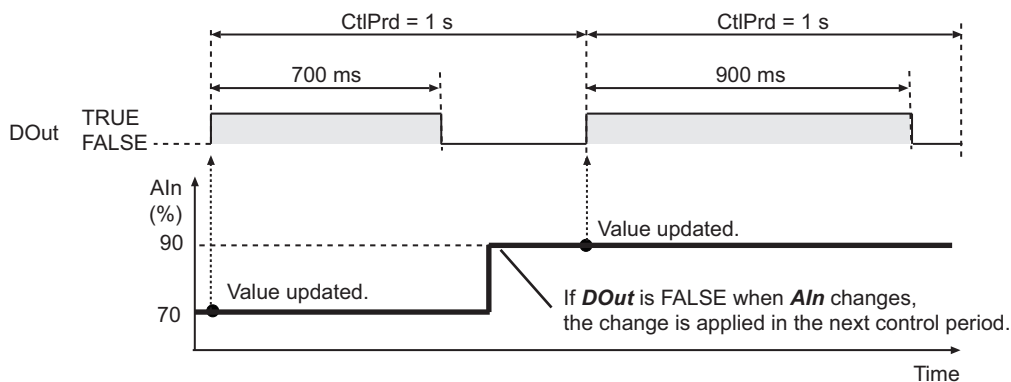
For example, if the task period is 1 ms and the value of *CtlPrd* is 1 s, the resolution of *DOut* is 0.1%. In this case, the value of *AIn* is rounded to one decimal place.

## Update Timing of the Value of Manipulated Variable *AIn*

When the value of *AIn* is updated depends on whether *DOut* is FALSE or TRUE.

### ● *DOut* = FALSE

While *DOut* is FALSE, any change in the value of *AIn* is applied in the next control period.

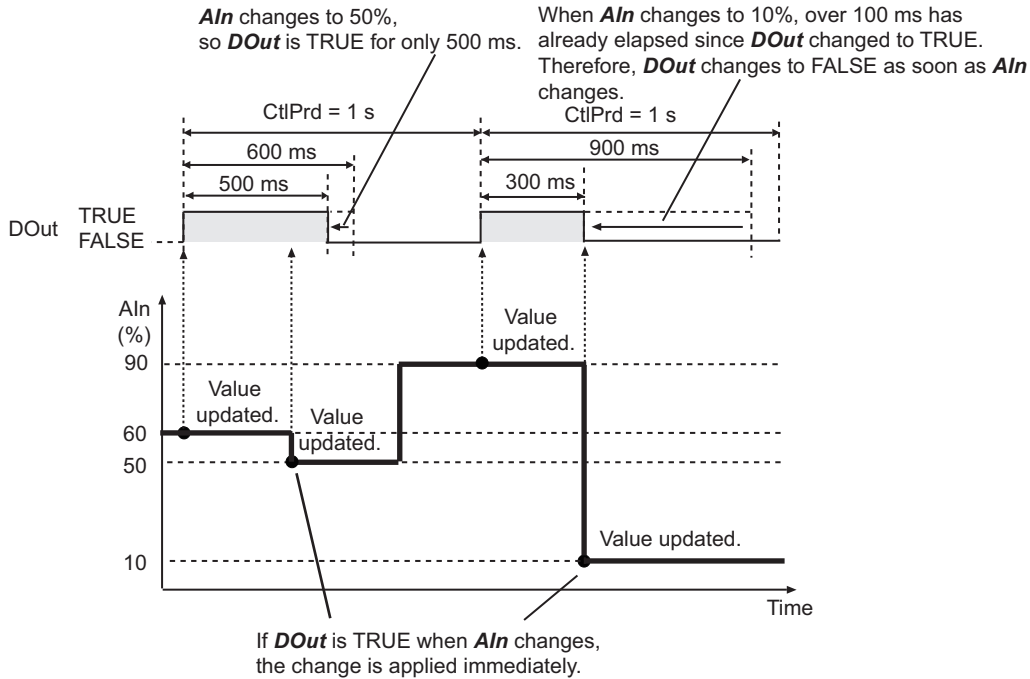


### ● *DOut* = TRUE

While *DOut* is TRUE, any change in the value of *AIn* is applied immediately.

For example, the following figure shows the operation when the value of control period *CtlPrd* is 1 s.

- Assume that the value of *AIn* is 60% at the start of the control period. If the value of *AIn* changes to 50% while *DOut* is TRUE, *DOut* stays TRUE only for 500 ms.
- Assume that the value of *AIn* is 90% at the start of the control period, and that the value of *AIn* changes to 10% 300 ms after *DOut* changes to TRUE. In this case, 100 ms, which is equivalent to 10% of the control period, has already elapsed, so *DOut* changes to FALSE immediately.



## Operation of Time-proportional Output *DOut* for Minimum Pulse Width *MinPlsWidth*

The minimum pulse width is the minimum time that *DOut* will retain a value of TRUE or FALSE.

You can set minimum pulse width *MinPlsWidth* to reduce chattering in *DOut*.

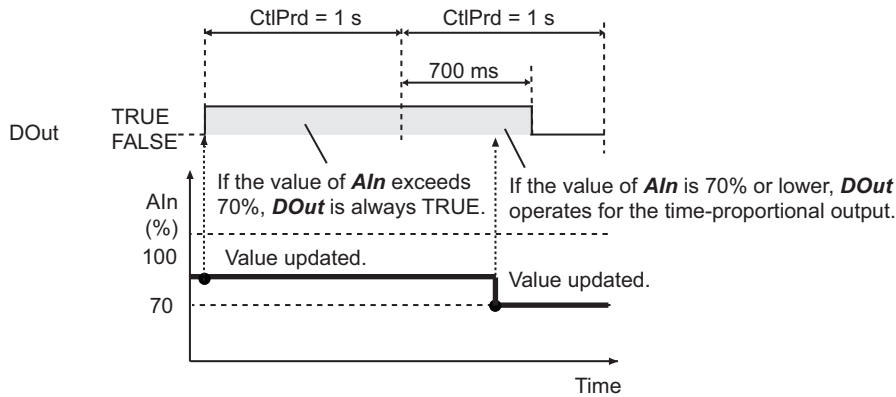
For example, if the number of times a fan is turned ON and OFF is reduced in cooling control, power consumption is reduced.

The following table shows the operation of *DOut* for the relationship between the values of *MinPlsWidth* and *AIn*.

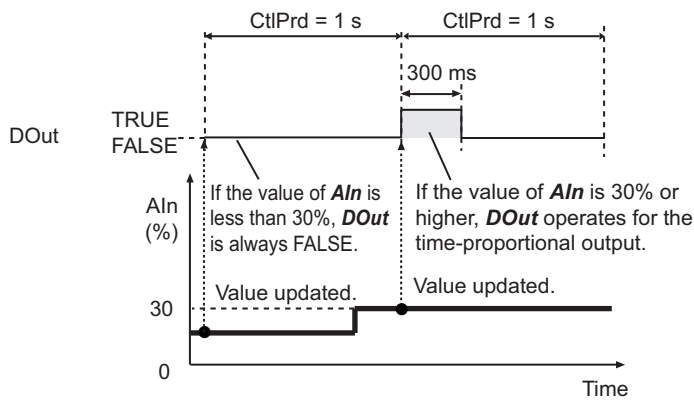
Relationship between the values of <i>MinPlsWidth</i> and <i>AIn</i>	Operation of <i>DOut</i>
$AIn < MinPlsWidth$	Always FALSE
$MinPlsWidth \leq AIn \leq 100 - MinPlsWidth$	Time-proportional output
$AIn > 100 - MinPlsWidth$	Always TRUE

For example, the following figure shows the operation of *DOut* when *MinPlsWidth* is 30%.

If the value of *AIn* is higher than 70%, the output is always TRUE. When the value is 70% or lower, the time-proportional operation is performed for the output.



If the value of *AIn* is lower than 30%, the output is always FALSE. When the value is 30% or higher, the time-proportional operation is performed for the output.



## Operation of Time-proportional Output *DOut* for Delay

The delay prevents *DOut* from changing to TRUE until the set time has elapsed since the start of the control period.

If more than one TimeProportionalOut instruction is executed, you can specify *Delay* to change *DOut* to TRUE at different timings for each execution.

This reduces the chance that *DOut* will turn ON simultaneously for more than one instruction.

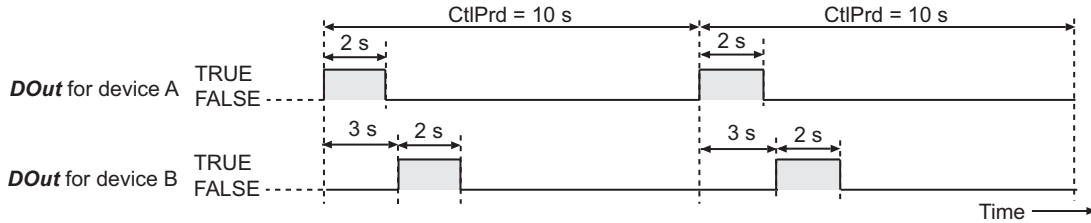
For example, if you operate more than one heating device, you can specify *Delay* with a different value for each device so that the output to each heating device will be turned ON at different timings, and thus the power to be consumed at a time can be reduced.

*DOut* changes to TRUE after the percentage of time specified with *Delay* elapses from the start of the control period.

For example, you could set the following values for devices A and B, which have the same control period.

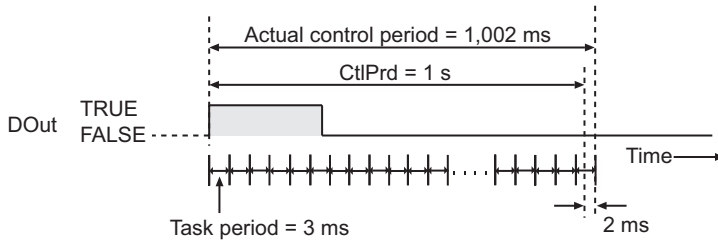
Device	Value of <i>Delay</i>	Value of <i>AIn</i>	Value of <i>CtlPrd</i>
Device A	0%	20%	10 s
Device B	30%		

*DOut* for device A changes to TRUE at the start of the control period. *DOut* for device B changes to TRUE three seconds after the start of the control period.



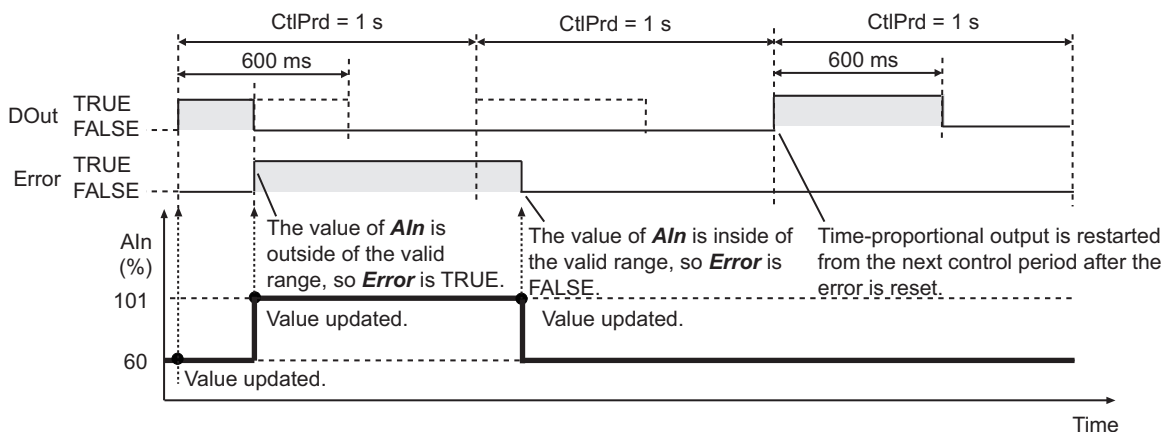
### Precautions for Correct Use

- Set the value of control period  $CtlPrd$  to a multiple of the task period of the task to which the program is assigned.  
If the task period is not set to a multiple of  $CtlPrd$ , the actual control period will be from when the control period ends until the next time the task is executed. For example, if the task period is set to 3 ms and the value of  $CtlPrd$  is 1 s, the actual control period will be 1,002 ms (from when  $CtlPrd$  ends until the next time the task is executed).

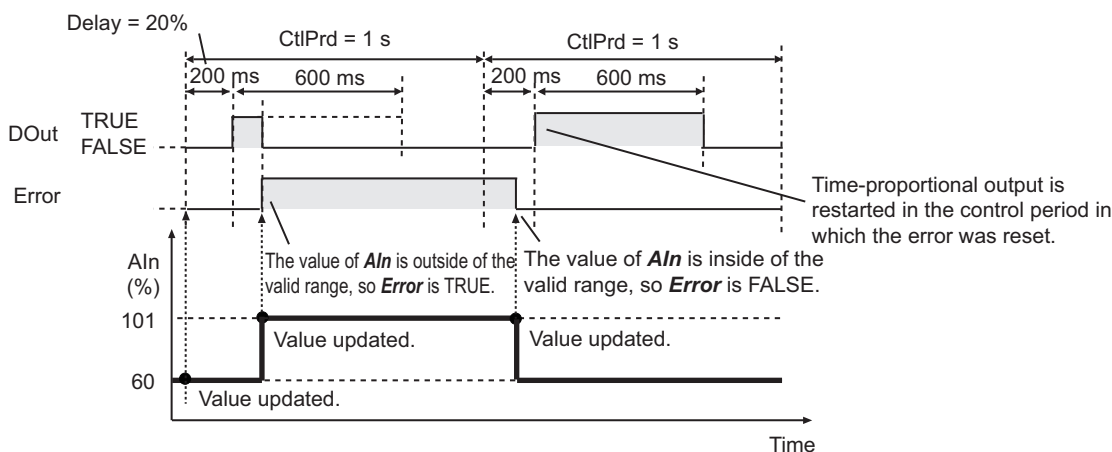


- Set the task period and control period  $CtlPrd$  so that the resolution of  $DO_{out}$  is 0.1% or less. If the resolution of  $DO_{out}$  exceeds 0.1%, the error between the ratio when  $DO_{out}$  is TRUE and the value of  $AIN$  will be excessive, and control performance will decrease. For example, if  $CtlPrd$  is 10 s, set the task period to 10 ms or shorter.
- If you use more than one of this instruction and need to synchronize the control periods, use the instructions in the same program. If you use them in different programs, the control periods will depend on the timing of the execution of the programs, and they will not be synchronized.
- The time from when the value of  $Enable$  changes to TRUE until when operation starts for  $DO_{out}$  is not constant.
- An error occurs if the value of  $AIN$ ,  $CtlPrd$ ,  $MinPlsWidth$ , or  $Delay$  is outside the valid range.  $Error$  changes to TRUE and  $DO_{out}$  changes to FALSE. If the value of  $AIN$  exceeds the valid range, the operation of  $DO_{out}$  will be as shown below, depending on when the error is reset.
  - If the error is reset after the point where  $DO_{out}$  changes to TRUE, the time-proportional output for  $DO_{out}$  is restarted from the next control period.





b) If the error is reset before the point where *DOut* changes to TRUE, the time-proportional output for *DOut* is restarted in the control period in which the error is reset.



### Sample Programming

This sample performs temperature control for four points with upper/lower limit alarms and upper/lower deviation alarms. PID control is performed. The manipulated variables of PID control are converted to time-proportional output values that are output to heating devices.



### Specifications

Temperature control is performed according to the following specifications.

Item	Specification
Input Unit	CJ1W-PH41U Isolated-type Universal Input Unit
Input types	K thermocouples
Output Unit	CJ1W-OD212 Transistor Output Unit
Set point	100°C
Upper limit of temperature	200°C

Item	Specification
Lower limit of temperature	0°C
Hysteresis of upper/lower limit alarm	5°C
Upper deviation temperature	50°C
Lower deviation temperature	50°C
Hysteresis of upper/lower deviation alarm	3°C
Sampling period for PID control	100 ms
Output control period	1 s

## Configuration and Settings

The following settings are used for the CJ1W-PH41U Input Unit.

Item	Set value
Input1:Input signal type	K(1)
Input2:Input signal type	K(1)
Input3:Input signal type	K(1)
Input4:Input signal type	K(1)

The following I/O map settings are used.

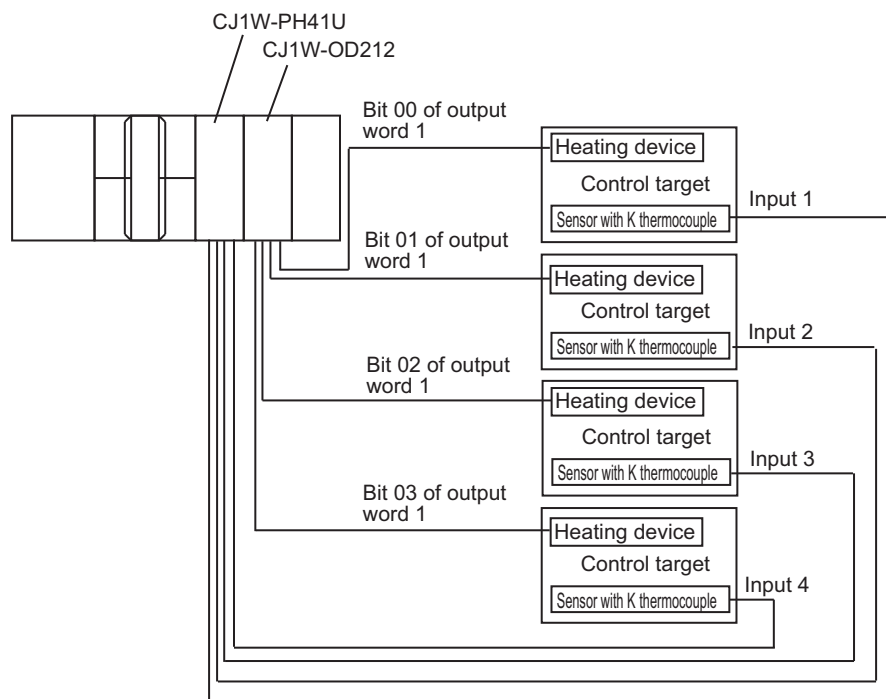
Unit	I/O port	Description	Variable
CJ1W-PH41U	Ch1_AllnPv	Process value for input 1 (INT data)	AI1
	Ch2_AllnPv	Process value for input 2 (INT data)	AI2
	Ch3_AllnPv	Process value for input 3 (INT data)	AI3
	Ch4_AllnPv	Process value for input 4 (INT data)	AI4
CJ1W-OD212	Ch1_Out00	Bit 00 of output word 1	DO1
	Ch1_Out01	Bit 01 of output word 1	DO2
	Ch1_Out02	Bit 02 of output word 1	DO3
	Ch1_Out03	Bit 03 of output word 1	DO4

The inputs and outputs for the temperature control for the four points correspond as shown below.

Input	Output
AI1	DO1
AI2	DO2
AI3	DO3
AI4	DO4

The task period of the task to which the program is assigned is 1 ms.

## ● Configuration Diagram

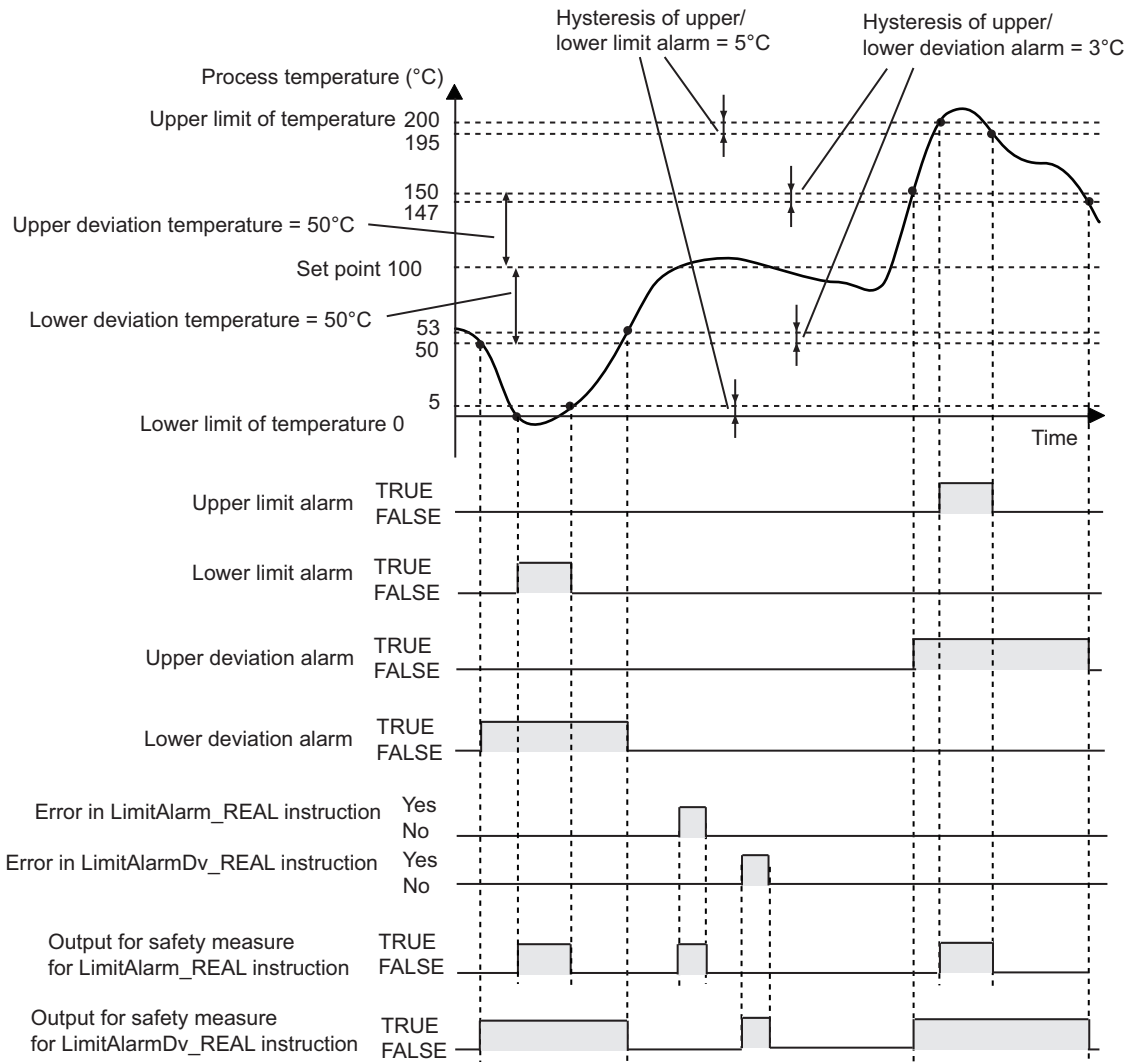


## Processing

Perform the following procedure for all four points.

- 1** Get the process temperature.
- 2** Use the LimitAlarm\_REAL instruction to output upper/lower limit alarms for the process temperature.
- 3** Perform an output as a safety measure if an error occurs in the LimitAlarm\_REAL instruction or if an upper/lower limit alarm occurs.
- 4** Use the LimitAlarmDv\_REAL instruction to output upper/lower deviation alarms for the deviation between the set point and the process temperature.
- 5** Perform an output as a safety measure if an error occurs in the LimitAlarmDv\_REAL instruction or if an upper/lower deviation alarm occurs.
- 6** Perform temperature control with the PIDAT instruction.
- 7** Use the TimeProportionalOut instruction to output the manipulated variable as a time-proportional value to the heating device.

● Operation of Upper/Lower Limit Alarms and Upper/Lower Deviation Alarms



Definitions of Global Variables

● Global Variables

Variable	Data type	AT specification*1	Comment
AI1	INT	IOBus://rack#0/slot#0/Ch1_AllnPV	Process value for input 1 (INT data)
AI2	INT	IOBus://rack#0/slot#0/Ch2_AllnPV	Process value for input 2 (INT data)
AI3	INT	IOBus://rack#0/slot#0/Ch3_AllnPV	Process value for input 3 (INT data)
AI4	INT	IOBus://rack#0/slot#0/Ch4_AllnPV	Process value for input 4 (INT data)
DO1	BOOL	IOBus://rack#0/slot#1/Ch1_Out/Ch1_Out00	Bit 00 of output word 1
DO2	BOOL	IOBus://rack#0/slot#1/Ch1_Out/Ch1_Out01	Bit 01 of output word 1
DO3	BOOL	IOBus://rack#0/slot#1/Ch1_Out/Ch1_Out02	Bit 02 of output word 1
DO4	BOOL	IOBus://rack#0/slot#1/Ch1_Out/Ch1_Out03	Bit 03 of output word 1

\*1. This table shows the variables for the CJ1W-PH41U Input Unit mounted to Slot #0 of Rack #0, and the CJ1W-OD212 Output Unit mounted to Slot #1 of the same rack.

**Note** The global variables for the port of each Unit are automatically generated based on the I/O mapping settings.

## LD

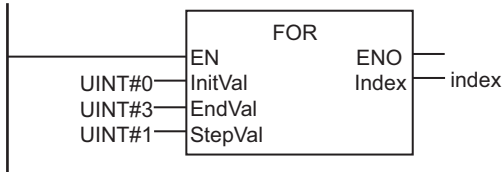
Internal Variables	Name	Data type	Default	Retain	Comment
	index	UINT	0	<input type="checkbox"/>	Loop index
	LimitAlarm_ON	BOOL	True	<input type="checkbox"/>	Execution of Upper/Lower Limit Alarm instruction
	LimitAlarmDv_ON	BOOL	True	<input type="checkbox"/>	Execution of Upper/Lower Deviation Alarm instruction
	TimeProportional-Out_ON	BOOL	True	<input type="checkbox"/>	Execution of TimeproportionalOutput instruction
	AI	INT	0	<input type="checkbox"/>	Present value
	PV	ARRAY[0..3] OF REAL	[4(0.0)]	<input type="checkbox"/>	Process value
	SP	ARRAY[0..3] OF REAL	[4(100)]	<input type="checkbox"/>	Set point
	DOut_TPO	BOOL	False	<input type="checkbox"/>	Time-proportional output
	HighVal	ARRAY[0..3] OF REAL	[4(200)]	<input type="checkbox"/>	Upper limit set value of upper/lower limit alarm
	LowVal	ARRAY[0..3] OF REAL	[4(0.0)]	<input type="checkbox"/>	Lower limit set value of upper/lower limit alarm
	Hysrs_LimitAlarm	ARRAY[0..3] OF REAL	[4(5)]	<input type="checkbox"/>	Hysteresis of upper/lower limit alarm
	Q_LimitAlarm	ARRAY[0..3] OF BOOL	[4(False)]	<input type="checkbox"/>	Upper/lower limit alarm output
	HighAlm	ARRAY[0..3] OF BOOL	[4(False)]	<input type="checkbox"/>	Upper limit alarm
	LowAlm	ARRAY[0..3] OF BOOL	[4(False)]	<input type="checkbox"/>	Lower limit alarm
	Error_LimitAlarm	ARRAY[0..3] OF BOOL	[4(False)]	<input type="checkbox"/>	Error in LimitAlarm_REAL instruction
	Alm_LimitAlarm	ARRAY[0..3] OF BOOL	[4(False)]	<input type="checkbox"/>	Output for safety measure for Upper/Lower Limit Alarm instruction
	DvHighVal	ARRAY[0..3] OF REAL	[4(50)]	<input type="checkbox"/>	Upper deviation set value of upper/lower deviation alarm
	DvLowVal	ARRAY[0..3] OF REAL	[4(50)]	<input type="checkbox"/>	Lower deviation set value of upper/lower deviation alarm
	Q_LimitAlarmDv	ARRAY[0..3] OF BOOL	[4(False)]	<input type="checkbox"/>	Upper/lower deviation alarm output

Internal Variables	Name	Data type	Default	Retain	Comment
	HighAlmDv	ARRAY[0..3] OF BOOL	[4(False)]	<input type="checkbox"/>	Upper deviation alarm
	LowAlmDv	ARRAY[0..3] OF BOOL	[4(False)]	<input type="checkbox"/>	Lower deviation alarm
	Error_LimitAlarmDv	ARRAY[0..3] OF BOOL	[4(False)]	<input type="checkbox"/>	Error in LimitAlarmDv_REAL instruction
	Hysters_LimitAlarmDv	ARRAY[0..3] OF REAL	[4(3)]	<input type="checkbox"/>	Hysteresis of upper/lower deviation alarm
	Alm_LimitAlarmDv	ARRAY[0..3] OF BOOL	[4(False)]	<input type="checkbox"/>	Output for safety measure for Upper/Lower Deviation Alarm instruction
	Run	ARRAY[0..3] OF BOOL	[4(False)]	<input type="checkbox"/>	Execution condition
	ManCtl	ARRAY[0..3] OF BOOL	[4(False)]	<input type="checkbox"/>	Manual/auto control
	StartAT	ARRAY[0..3] OF BOOL	[4(False)]	<input type="checkbox"/>	Autotuning execution condition
	OprSetParams	_sOPR_SET_PARAMS	(MVLowLmt:=0.0, MVUpLmt:=100.0, ManResetVal:=0.0, MVTrackSw:=False, MVTrackVal:=0.0, StopMV:=0.0, ErrorMV:=0.0, Alpha:=0.65, ATCalcGain:=1.0, ATHysters:=0.2)	<input type="checkbox"/>	Operation setting parameters
	InitSetParams	_sINIT_SET_PARAMS	(SampTime:=T#100 ms, RngLowLmt:=-10.0, RngUpLmt:=1000.0, DirOpr:=False)	<input type="checkbox"/>	Initial setting parameters
	PB	ARRAY[0..3] OF REAL	[4(10)]	<input checked="" type="checkbox"/>	Proportional band
	TI	ARRAY[0..3] OF TIME	[4(T#0 s)]	<input checked="" type="checkbox"/>	Integration time
	TD	ARRAY[0..3] OF TIME	[4(T#0 s)]	<input checked="" type="checkbox"/>	Derivative time
	ManMV	ARRAY[0..3] OF REAL	[4(0.0)]	<input type="checkbox"/>	Manual manipulated variable
	ATDone	ARRAY[0..3] OF BOOL	[4(False)]	<input type="checkbox"/>	Autotuning normal completion
	ATBusy	ARRAY[0..3] OF BOOL	[4(False)]	<input type="checkbox"/>	Autotuning busy
	Error_PIDAT	ARRAY[0..3] OF BOOL	[4(False)]	<input type="checkbox"/>	Error in PIDAT instruction
	ErrorID	ARRAY[0..3] OF WORD	[4(16#0)]	<input type="checkbox"/>	Error ID for PIDAT instruction
	MV	ARRAY[0..3] OF REAL	[4(0.0)]	<input type="checkbox"/>	Manipulated variable
	CtlPrd	ARRAY[0..3] OF TIME	[4(T#1 s)]	<input type="checkbox"/>	Control period

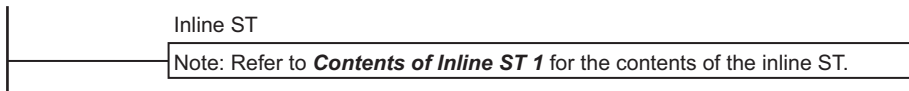
Internal Variables	Name	Data type	Default	Retain	Comment
	MinPlsWidth	ARRAY[0..3] OF REAL	[4(0.0)]	<input type="checkbox"/>	Minimum pulse width
	Delay	ARRAY[0..3] OF REAL	[4(0.0)]	<input type="checkbox"/>	ON-delay time
	Error_TimeProportionalOut	ARRAY[0..3] OF BOOL	[4(False)]	<input type="checkbox"/>	Error in TimeProportionalOut instruction
	LimitAlarm_REAL_instance	ARRAY[0..3] OF LimitAlarm_REAL		<input type="checkbox"/>	
	LimitAlarmDv_REAL_instance	ARRAY[0..3] OF LimitAlarmDv_REAL		<input type="checkbox"/>	
	PIDAT_instance	ARRAY[0..3] OF PIDAT		<input type="checkbox"/>	
	TimeProportionalOut_instance	ARRAY[0..3] OF TimeProportionalOut		<input type="checkbox"/>	

External Variables	Name	Data type	Comment
	AI1	INT	Input No.1 (Process value)
	AI2	INT	Input No.2 (Process value)
	AI3	INT	Input No.3 (Process value)
	AI4	INT	Input No.4 (Process value)
	DO1	BOOL	output word 1 (Bit 00)
	DO2	BOOL	output word 1 (Bit 01)
	DO3	BOOL	output word 1 (Bit 02)
	DO4	BOOL	output word 1 (Bit 03)

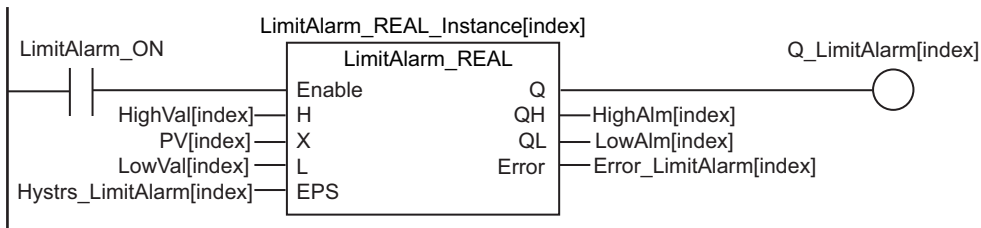
Control temperature for four points.



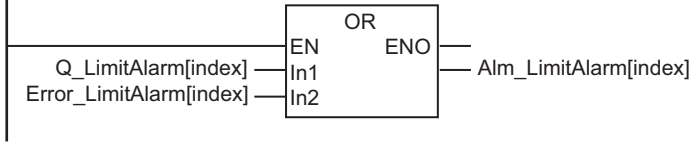
Obtain the process value.



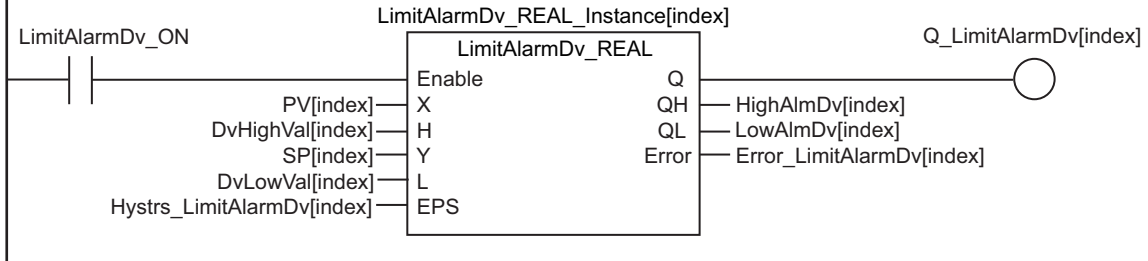
Upper/lower limit alarm



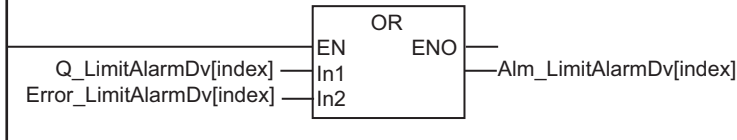
Perform an output as a safety measure if an error occurs in the LimitAlarm\_REAL instruction or if an upper/lower limit alarm occurs.



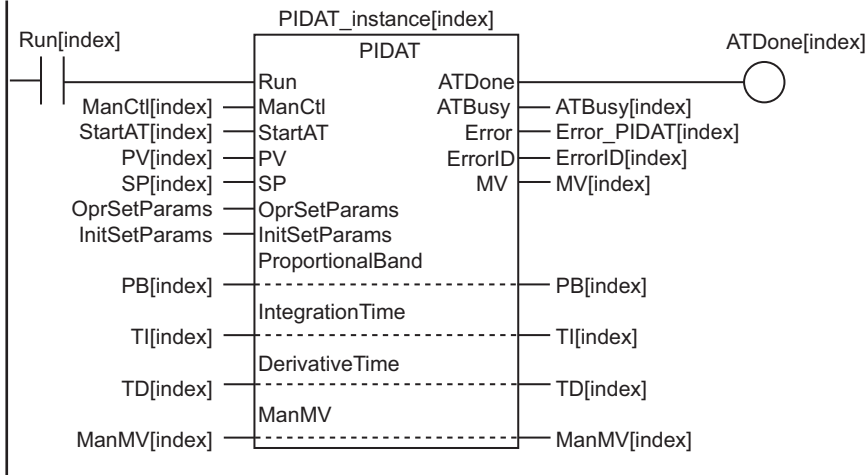
Upper/lower deviation alarm



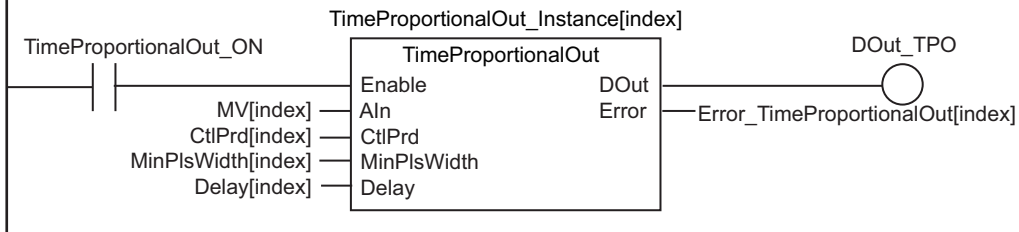
Perform an output as a safety measure if an error occurs in the LimitAlarmDv\_REAL instruction or if an upper/lower limit alarm occurs.



Execute PIDAT instruction.

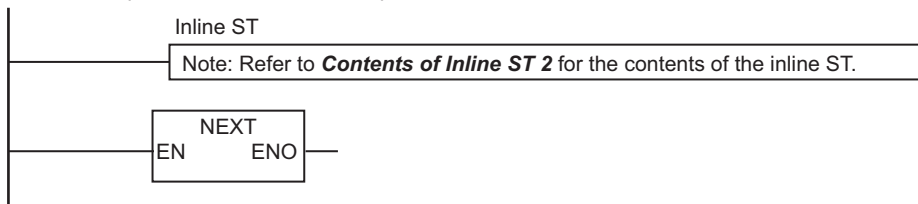


Time-proportional output





Perform outputs for bits 00 to 03 of output word 1.



### ● Contents of Inline ST 1

```
//Get values of inputs 1 to 4.
CASE index OF
INT#0:
  AI:=AI1;
INT#1:
  AI:=AI2;
INT#2:
  AI:=AI3;
ELSE
  AI:=AI4;
END_CASE;

//Convert PV AI to real number.
PV[index]:=INT_TO_REAL(AI)/REAL#10.0; // CJ1W-PH41U output is ten times the proces
s value, so divide by 10.0.
```

### ● Contents of Inline ST 2

```
//Perform outputs for bits 00 to 03 of output word 1.
CASE index OF
INT#0:
  DO1:=DOut_TPO;
INT#1:
  DO2:=DOut_TPO;
INT#2:
  DO3:=DOut_TPO;
ELSE
  DO4:=DOut_TPO;
END_CASE;
```

## ST

Internal Variables	Name	Data type	Default	Re-retain	Comment
	index	UINT	0	<input type="checkbox"/>	Loop index

Internal Variables	Name	Data type	Default	Retain	Comment
	LimitAlarm_ON	BOOL	True	<input type="checkbox"/>	Execution of Upper/Lower Limit Alarm instruction
	LimitAlarmDv_ON	BOOL	True	<input type="checkbox"/>	Execution of Upper/Lower Deviation Alarm instruction
	TimeProportional-Out_ON	BOOL	True	<input type="checkbox"/>	Execution of Timeproportional Output instruction
	AI	INT	0	<input type="checkbox"/>	Present value
	PV	ARRAY[0..3] OF REAL	[4(0.0)]	<input type="checkbox"/>	Process value
	SP	ARRAY[0..3] OF REAL	[4(100)]	<input type="checkbox"/>	Set point
	DOut_TPO	BOOL	False	<input type="checkbox"/>	Time-proportional output
	HighVal	ARRAY[0..3] OF REAL	[4(200)]	<input type="checkbox"/>	Upper limit set value of upper/lower limit alarm
	LowVal	ARRAY[0..3] OF REAL	[4(0.0)]	<input type="checkbox"/>	Lower limit set value of upper/lower limit alarm
	Hysters_LimitAlarm	ARRAY[0..3] OF REAL	[4(5)]	<input type="checkbox"/>	Hysteresis of upper/lower limit alarm
	Q_LimitAlarm	ARRAY[0..3] OF BOOL	[4(False)]	<input type="checkbox"/>	Upper/lower limit alarm output
	HighAlm	ARRAY[0..3] OF BOOL	[4(False)]	<input type="checkbox"/>	Upper limit alarm
	LowAlm	ARRAY[0..3] OF BOOL	[4(False)]	<input type="checkbox"/>	Lower limit alarm
	Error_LimitAlarm	ARRAY[0..3] OF BOOL	[4(False)]	<input type="checkbox"/>	Error in LimitAlarm_REAL instruction
	Alm_LimitAlarm	ARRAY[0..3] OF BOOL	[4(False)]	<input type="checkbox"/>	Output for safety measure for Upper/Lower Limit Alarm instruction
	DvHighVal	ARRAY[0..3] OF REAL	[4(50)]	<input type="checkbox"/>	Upper deviation set value of upper/lower deviation alarm
	DvLowVal	ARRAY[0..3] OF REAL	[4(50)]	<input type="checkbox"/>	Lower deviation set value of upper/lower deviation alarm
	Q_LimitAlarmDv	ARRAY[0..3] OF BOOL	[4(False)]	<input type="checkbox"/>	Upper/lower deviation alarm output
	HighAlmDv	ARRAY[0..3] OF BOOL	[4(False)]	<input type="checkbox"/>	Upper deviation alarm
	LowAlmDv	ARRAY[0..3] OF BOOL	[4(False)]	<input type="checkbox"/>	Lower deviation alarm

Internal Variables	Name	Data type	Default	Retain	Comment
	Error_LimitAlarmDv	ARRAY[0..3] OF BOOL	[4(False)]	<input type="checkbox"/>	Error in LimitAlarmDv_REAL instruction
	Hysters_LimitAlarmDv	ARRAY[0..3] OF REAL	[4(3)]	<input type="checkbox"/>	Hysteresis of upper/lower deviation alarm
	Alm_LimitAlarmDv	ARRAY[0..3] OF BOOL	[4(False)]	<input type="checkbox"/>	Output for safety measure for Upper/Lower Deviation Alarm instruction
	Run	ARRAY[0..3] OF BOOL	[4(False)]	<input type="checkbox"/>	Execution condition
	ManCtl	ARRAY[0..3] OF BOOL	[4(False)]	<input type="checkbox"/>	Manual/auto control
	StartAT	ARRAY[0..3] OF BOOL	[4(False)]	<input type="checkbox"/>	Autotuning execution condition
	OprSetParams	_sOPR_SET_PARAMS	(MVLowLmt:=0.0, MVUpLmt:=100.0, ManResetVal:=0.0, MVTrackSw:=False, MVTrackVal:=0.0, StopMV:=0.0, ErrorMV:=0.0, Alpha:=0.65, ATCalcGain:=1.0, ATHysters:=0.2)	<input type="checkbox"/>	Operation setting parameters
	InitSetParams	_sINIT_SET_PARAMS	(SampTime:=T#100 ms, RngLowLmt:=-10.0, RngUpLmt:=1000.0, DirOpr:=False)	<input type="checkbox"/>	Initial setting parameters
	PB	ARRAY[0..3] OF REAL	[4(10)]	<input checked="" type="checkbox"/>	Proportional band
	TI	ARRAY[0..3] OF TIME	[4(T#0 s)]	<input checked="" type="checkbox"/>	Integration time
	TD	ARRAY[0..3] OF TIME	[4(T#0 s)]	<input checked="" type="checkbox"/>	Derivative time
	ManMV	ARRAY[0..3] OF REAL	[4(0.0)]	<input type="checkbox"/>	Manual manipulated variable
	ATDone	ARRAY[0..3] OF BOOL	[4(False)]	<input type="checkbox"/>	Autotuning normal completion
	ATBusy	ARRAY[0..3] OF BOOL	[4(False)]	<input type="checkbox"/>	Autotuning busy
	Error_PIDAT	ARRAY[0..3] OF BOOL	[4(False)]	<input type="checkbox"/>	Error in PIDAT instruction
	ErrorID	ARRAY[0..3] OF WORD	[4(16#0)]	<input type="checkbox"/>	Error ID for PIDAT instruction
	MV	ARRAY[0..3] OF REAL	[4(0.0)]	<input type="checkbox"/>	Manipulated variable
	CtlPrd	ARRAY[0..3] OF TIME	[4(T#1 s)]	<input type="checkbox"/>	Control period
	MinPlsWidth	ARRAY[0..3] OF REAL	[4(0.0)]	<input type="checkbox"/>	Minimum pulse width
	Delay	ARRAY[0..3] OF REAL	[4(0.0)]	<input type="checkbox"/>	ON-delay time

Internal Variables	Name	Data type	Default	Retain	Comment
	Error_TimeProportionalOut	ARRAY[0..3] OF BOOL	[4(False)]	<input type="checkbox"/>	Error in TimeProportionalOut instruction
	LimitAlarm_REAL_instance	ARRAY[0..3] OF LimitAlarm_REAL		<input type="checkbox"/>	
	LimitAlarmDv_REAL_instance	ARRAY[0..3] OF LimitAlarmDv_REAL		<input type="checkbox"/>	
	PIDAT_instance	ARRAY[0..3] OF PIDAT		<input type="checkbox"/>	
	TimeProportionalOut_instance	ARRAY[0..3] OF TimeProportionalOut		<input type="checkbox"/>	

External Variables	Name	Data type	Comment
	AI1	INT	Input No.1 (Process value)
	AI2	INT	Input No.2 (Process value)
	AI3	INT	Input No.3 (Process value)
	AI4	INT	Input No.4 (Process value)
	DO1	BOOL	output word 1 (Bit 00)
	DO2	BOOL	output word 1 (Bit 01)
	DO3	BOOL	output word 1 (Bit 02)
	DO4	BOOL	output word 1 (Bit 03)

```
// Control temperature for four points.
FOR index:=UINT#0 TO UINT#3 BY UINT#1 DO

    // Get values of inputs 1 to 4.
    CASE index OF
    INT#0:
        AI:=AI1;
    INT#1:
        AI:=AI2;
    INT#2:
        AI:=AI3;
    ELSE
        AI:=AI4;
    END_CASE;

    // Convert PV AI to real number.
    PV[index]:=INT_TO_REAL(AI)/REAL#10.0; // CJ1W-PH41U output is ten times the process value, so divide by 10.0.

    // Upper/lower limit alarm
    LimitAlarm_REAL_instance[index](
        Enable :=LimitAlarm_ON,
        H :=HighVal[index],
```

```

X :=PV[index],
L :=LowVal[index],
EPS :=Hystrs_LimitAlarm[index],
Q =>Q_LimitAlarm[index],
QH =>HighAlm[index],
QL =>LowAlm[index],
Error =>Error_LimitAlarm[index]);

// Perform an output as a safety measure if an error occurs in the LimitAlarmDv_R
EAL instruction or if an upper/lower limit alarm occurs.
Alm_LimitAlarm[index]:=Q_LimitAlarm[index] OR Error_LimitAlarm[index];

// Upper/lower deviation alarm
LimitAlarmDv_REAL_instance[index](
  Enable :=LimitAlarmDv_ON,
  X :=PV[index],
  H :=DvHighVal[index],
  Y :=SP[index],
  L :=DvLowVal[index],
  EPS :=Hystrs_LimitAlarmDv[index],
  Q =>Q_LimitAlarmDv[index],
  QH =>HighAlmDv[index],
  QL =>LowAlmDv[index],
  Error =>Error_LimitAlarmDv[index]);

// Perform an output as a safety measure if an error occurs in the LimitAlarmDv_R
EAL instruction or if an upper/lower limit alarm occurs.
Alm_LimitAlarmDv[index]:=Q_LimitAlarmDv[index] OR Error_LimitAlarmDv[index];

// Execute PIDAT instruction.
PIDAT_instance[index](
  Run :=Run[index],
  ManCtl :=ManCtl[index],
  StartAT :=StartAT[index],
  PV :=PV[index],
  SP :=SP[index],
  OprSetParams :=OprSetParams,
  InitSetParams :=InitSetParams,
  ProportionalBand:=PB[index],
  IntegrationTime :=TI[index],
  DerivativeTime :=TD[index],
  ManMV :=ManMV[index],
  ATDone =>ATDone[index],
  ATBusy =>ATBusy[index],
  Error =>Error_PIDAT[index],
  ErrorID =>ErrorID[index],
  MV =>MV[index]);

```

```
// Time-proportional output
TimeProportionalOut_instance[index](
  Enable :=TimeProportionalOut_ON,
  AIn :=MV[index],
  CtlPrd :=CtlPrd[index],
  MinPlsWidth :=MinPlsWidth[index],
  Delay :=Delay[index],
  DOut =>DOut_TPO,
  Error =>Error_TimeProportionalOut[index]);

// Perform outputs for bits 00 to 03 of output word 1.
CASE index OF
INT#0:
  DO1:=DOut_TPO;
INT#1:
  DO2:=DOut_TPO;
INT#2:
  DO3:=DOut_TPO;
ELSE
  DO4:=DOut_TPO;
END_CASE;

END_FOR;
```

# LimitAlarm\_\*\*

The LimitAlarm\_\*\* instruction outputs an alarm if the input value is below the lower limit set value or above the upper limit set value.

Instruction	Name	FB/ FUN	Graphic expression	ST expression
LimitAlarm_**	Upper/Lower Limit Alarm Group	FB	<p>LimitAlarm_**_Instance</p> <p>LimitAlarm_**</p> <p>Enable Q</p> <p>H QH</p> <p>X QL</p> <p>L Error</p> <p>EPS</p>	LimitAlarm_**_instance(Enable, H, X, L, EPS, Q, QH, QL, Error);  "*" must be REAL or LREAL.



## Version Information

A CPU Unit with unit version 1.02 or later and Sysmac Studio version 1.03 or higher are required to use this instruction.

## Variables

	Meaning	I/O	Description	Valid range	Unit	Default
Enable	Enable	Input	TRUE: Execute FALSE: Reset alarm	Depends on data type.	---	FALSE
H	Upper limit set value		Upper limit set value for the input value			
X	Input value		Value to monitor			
L	Lower limit set value		Lower limit set value for the input value			
EPS	Hysteresis		Hysteresis of the alarm			Depends on data type.*1
Q	Alarm output	Output	TRUE: There is either an upper limit alarm or a lower limit alarm. FALSE: There is neither an upper limit alarm nor a lower limit alarm.	Depends on data type.	---	---
QH	Upper limit alarm		TRUE: There is an upper limit alarm. FALSE: There is no upper limit alarm.			
QL	Lower limit alarm		TRUE: There is a lower limit alarm. FALSE: There is no lower limit alarm.			

\*1. Negative numbers are excluded.

	Boo lean	Bit strings					Integers							Real num- bers		Times, durations, dates, and text strings				
	BOOL	BYTE	WORD	DWORD	LWORD	USINT	UINT	UDINT	ULINT	SINT	INT	DINT	LINT	REAL	LREAL	TIME	DATE	TOD	DT	STRING
Enable	OK																			
H														OK	OK					
X	Must be same data type as <i>H</i> .																			
L	Must be same data type as <i>H</i> .																			
EPS	Must be same data type as <i>H</i> .																			
Q	OK																			
QH	OK																			
QL	OK																			

## Function

The LimitAlarm\_\*\* instruction monitors the input value to see if it is between the lower limit set value and the upper limit set value.

The LimitAlarm\_\*\* instruction outputs an alarm if the input value is below the lower limit set value or above the upper limit set value.

Use this instruction in temperature control, e.g., to monitor the process temperature.

Input value *X* is monitored while *Enable* is TRUE.

If the value of *X* exceeds the value of upper limit set value *H*, upper limit alarm *QH* changes to TRUE.

If the value of *X* goes below the value of lower limit set value *L*, lower limit alarm *QL* changes to TRUE.

If the value of either *QH* or *QL* is TRUE, the value of alarm output *Q* is TRUE.

The values of *X*, *H*, *L*, and hysteresis *EPS* are continuously updated while *Enable* is TRUE.

If *Enable* changes to FALSE, the alarm is reset. When the alarm is reset, *Q*, *QH*, and *QL* change to FALSE.

The data types of *H*, *X*, *L*, and *EPS* must be either REAL or LREAL.

The name of the instruction is determined by the data types of *H*, *X*, *L*, and *EPS*.

If the name of the instruction is LimitAlarm\_LREAL, the data types of *H*, *X*, *L*, and *EPS* are all LREAL.

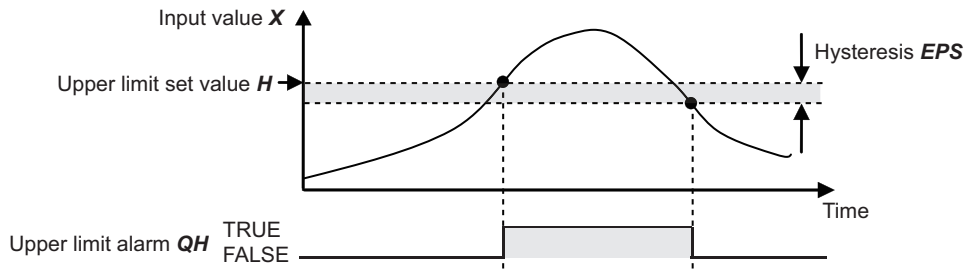
## Operation of Upper Limit Alarm *QH*

The value of *QH* (Upper limit alarm) changes as shown below.

You can set the hysteresis to prevent hunting in the limit alarm.

- If Input value  $X > \text{Upper limit set value } H$ , the value is TRUE.
- If Input value  $X < \text{Upper limit set value } H - \text{Hysteresis } EPS$ , the value is FALSE.

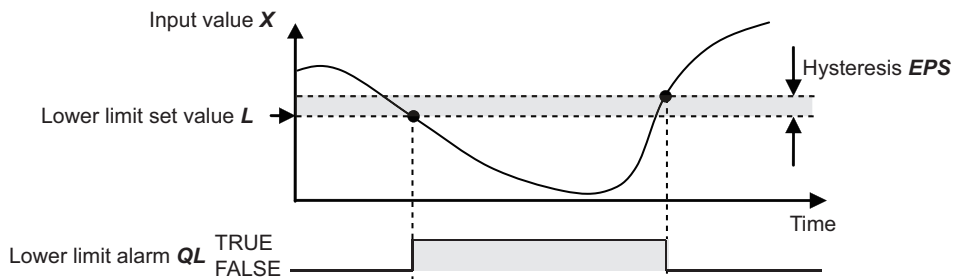




## Operation of Lower Limit Alarm QL

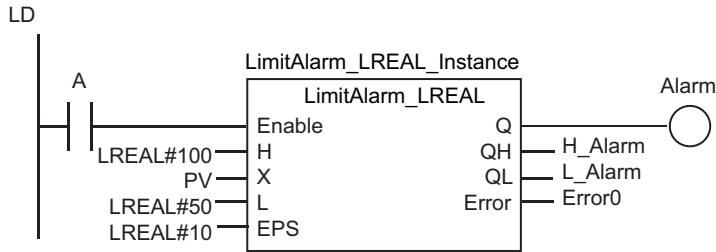
The value of QL (Lower limit alarm) changes as shown below.  
You can set the hysteresis to prevent hunting in the limit alarm.

- If Input value  $X < \text{Lower limit set value } L$ , the value is TRUE.
- If Input value  $X > \text{Lower limit set value } L + \text{Hysteresis } EPS$ , the value is FALSE.



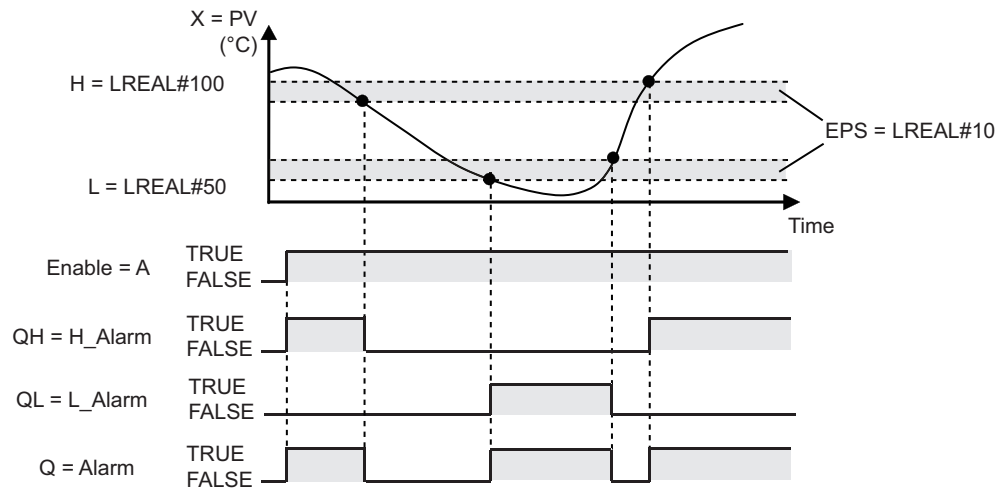
## Notation Example

The following notation example sets upper limit set value  $H$  to  $100^{\circ}\text{C}$ , lower limit set value  $L$  to  $50^{\circ}\text{C}$ , and hysteresis  $EPS$  to  $10^{\circ}\text{C}$ .



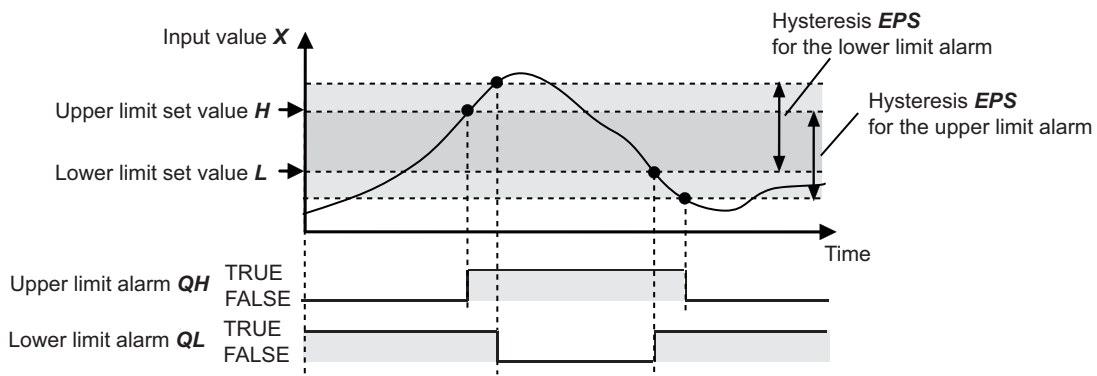
ST

```
LimitAlarm_LREAL_instance(A,LREAL#100,PV,LREAL#50,LREAL#10,Alarm,H_Alarm,L_Alarm,Error0);
```

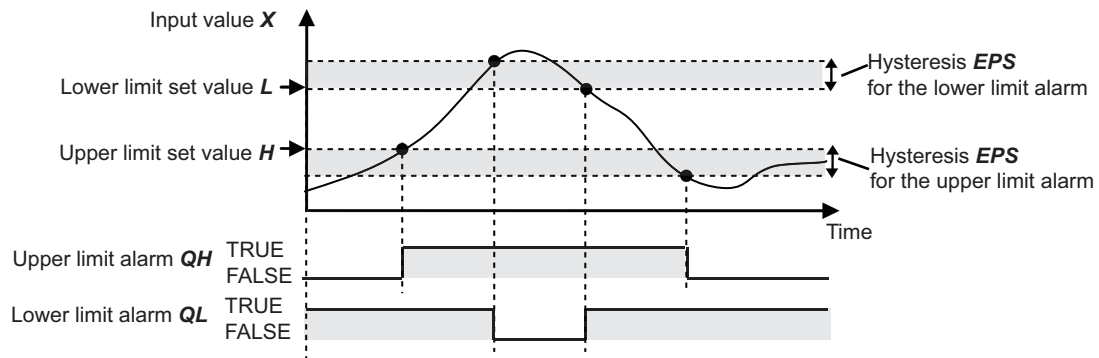


### Additional Information

- Use the LimitAlarm\_REAL instruction to reduce the instruction execution time.
- You can set as follows:  $H - L < EPS$ . If you do so, both  $QH$  and  $QL$  can be TRUE at the same time.



- You can set as follows:  $H < L$ . If you do so, either  $QH$  or  $QL$  will always be TRUE.



## Precautions for Correct Use

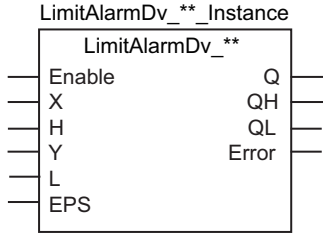
- An error occurs if the value of  $EPS$  is outside the valid range.  $Error$  changes to TRUE, and  $Q$ ,  $QH$ , and  $QL$  change to FALSE.
- You can use this instruction for safety measures, for example, to turn OFF a temperature control output when an alarm is output. If you do so, design the safety measures so that safety can be maintained even when an error causes  $Q$ ,  $QH$ , and  $QL$  to change to FALSE. For an application example, refer to *Sample Programming* on page 2-791 for the TimeProportionalOut instruction.

## Sample Programming

Refer to *Sample Programming* on page 2-791 for the TimeProportionalOut instruction.

# LimitAlarmDv\_\*\*

The LimitAlarmDv\_\*\* instruction outputs an alarm if the deviation in the input value from the reference value exceeds the lower deviation set value or the upper deviation set value.

Instruction	Name	FB/ FUN	Graphic expression	ST expression
LimitAlarmDv_**	Upper/Lower Deviation Alarm Group	FB	 <p>**** must be REAL or LREAL.</p>	LimitAlarmDv_**instance(Enable, X, H, Y, L, EPS, Q, QH, QL, Error);  **** must be REAL or LREAL.



## Version Information

A CPU Unit with unit version 1.02 or later and Sysmac Studio version 1.03 or higher are required to use this instruction.

## Variables

	Meaning	I/O	Description	Valid range	Unit	Default
Enable	Enable	Input	TRUE: Execute FALSE: Reset alarm	Depends on data type.	---	FALSE
X	Input value		Value to monitor			
H	Upper deviation set value		Set value for an alarm for an upward deviation in respect to the reference value			
Y	Reference value		Reference value for deviation			
L	Lower deviation set value		Set value for an alarm for a downward deviation in respect to the reference value			
EPS	Hysteresis		Hysteresis of the alarm	Depends on data type.*1	0	

	Meaning	I/O	Description	Valid range	Unit	Default
Q	Deviation alarm output	Output	TRUE: There is either an upper deviation alarm or a lower deviation alarm. FALSE: There is neither an upper deviation alarm nor a lower deviation alarm.	Depends on data type.	---	---
QH	Upper deviation alarm		TRUE: There is an upper deviation alarm. FALSE: There is no upper deviation alarm.			
QL	Lower deviation alarm		TRUE: There is a lower deviation alarm. FALSE: There is no lower deviation alarm.			

\*1. Negative numbers are excluded.

	Boo lean	Bit strings					Integers							Real num bers		Times, durations, dates, and text strings				
	BOOL	BYTE	WORD	DWORD	LWORD	USINT	UINT	UDINT	ULINT	SINT	INT	DINT	LINT	REAL	LREAL	TIME	DATE	TOD	DT	STRING
Enable	OK																			
X														OK	OK					
H		Must be same data type as X.																		
Y		Must be same data type as X.																		
L		Must be same data type as X.																		
EPS		Must be same data type as X.																		
Q	OK																			
QH	OK																			
QL	OK																			

## Function

The LimitAlarmDv\_\*\* instruction monitors the deviation in the input value from the reference value to see if it exceeds the lower deviation set value or the upper deviation set value.

If the deviation exceeds the lower deviation set value or the upper deviation set value, the instruction outputs an alarm.

Use this instruction in temperature control, e.g., to monitor the deviation in the process temperature from the set point.

The deviation in input value *X* from the reference value *Y* is monitored while *Enable* is TRUE.

If the upward deviation in *X* from *Y* exceeds the value of upper deviation set value *H*, upper deviation alarm *QH* changes to TRUE.

If the downward deviation in *X* from *Y* exceeds the value of lower deviation set value *L*, lower deviation alarm *QL* changes to TRUE.

If the value of either *QH* or *QL* is TRUE, the value of alarm output *Q* is TRUE.

The values of *X*, *H*, *Y*, *L*, and hysteresis *EPS* are continuously updated while *Enable* is TRUE.

If *Enable* changes to FALSE, the alarm is reset. When the alarm is reset, *Q*, *QH*, and *QL* change to FALSE.

The data types of *X*, *H*, *Y*, *L*, and *EPS* must be either REAL or LREAL.

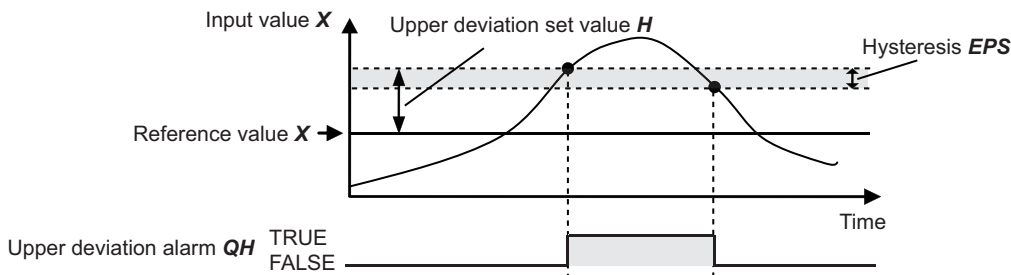
The name of the instruction is determined by the data types of *X*, *H*, *Y*, *L*, and *EPS*.

If the name of the instruction is LimitAlarmDv\_LREAL, the data types of *X*, *H*, *Y*, *L*, and *EPS* are all LREAL.

## Operation of Upper Deviation Alarm *QH*

Upper deviation alarm *QH* is the alarm for an upward deviation in respect to reference value *Y*. The value of *QH* changes as shown below. You can set the hysteresis to prevent hunting in the deviation alarm.

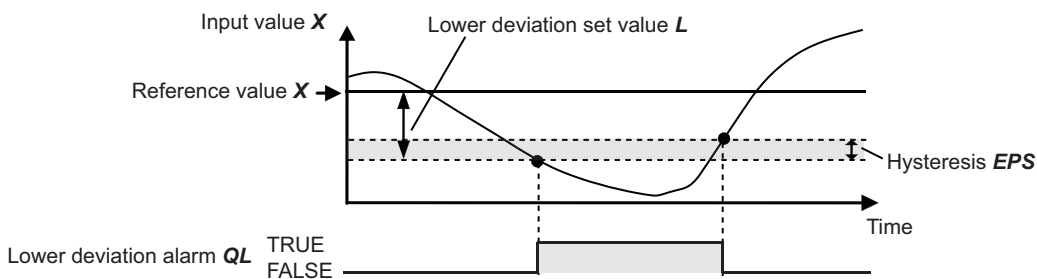
- If Input value *X* - Reference value *Y* > Upper deviation set value *H*, then the value is TRUE.
- If Input value *X* - Reference value *Y* < Upper deviation set value *H* - Hysteresis *EPS*, then the value is FALSE.



## Operation of Lower Deviation Alarm *QL*

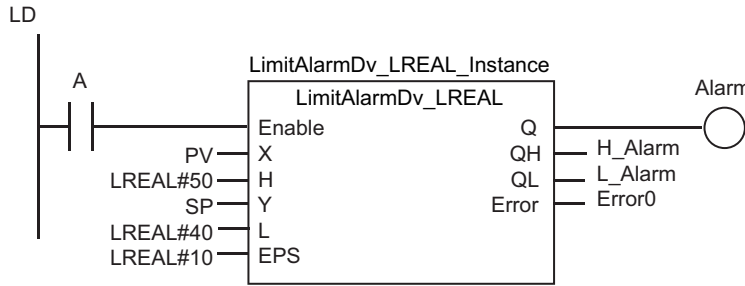
Lower deviation alarm *QL* is the alarm for a downward deviation in respect to reference value *Y*. The value of *QL* changes as shown below. You can set the hysteresis to prevent hunting in the deviation alarm.

- If  $-(\text{Input value } X - \text{Reference value } Y) > \text{Lower deviation set value } L$ , then the value is TRUE.
- If  $-(\text{Input value } X - \text{Reference value } Y) < \text{Lower deviation set value } L - \text{Hysteresis } EPS$ , then the value is FALSE.



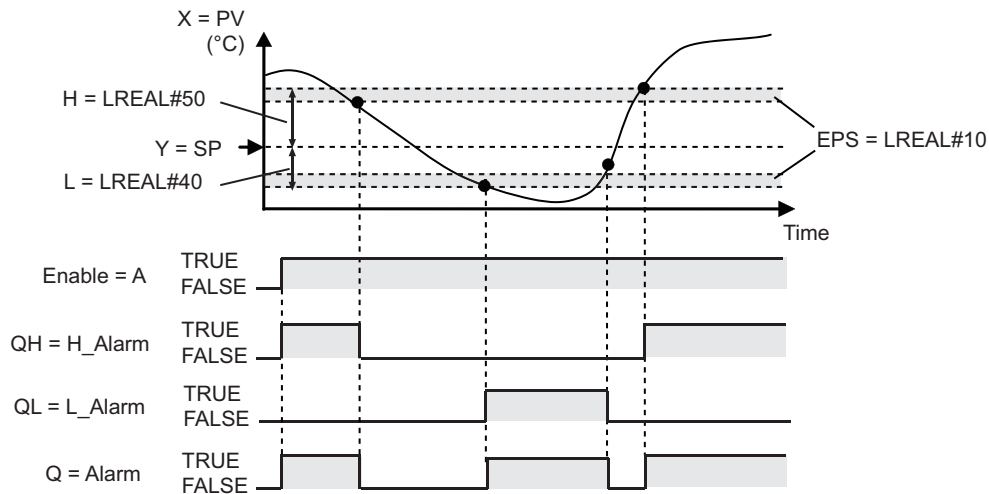
## Notation Example

The following notation example sets upper deviation set value *H* to 50°C, lower deviation set value *L* to 40°C, and hysteresis *EPS* to 10°C.



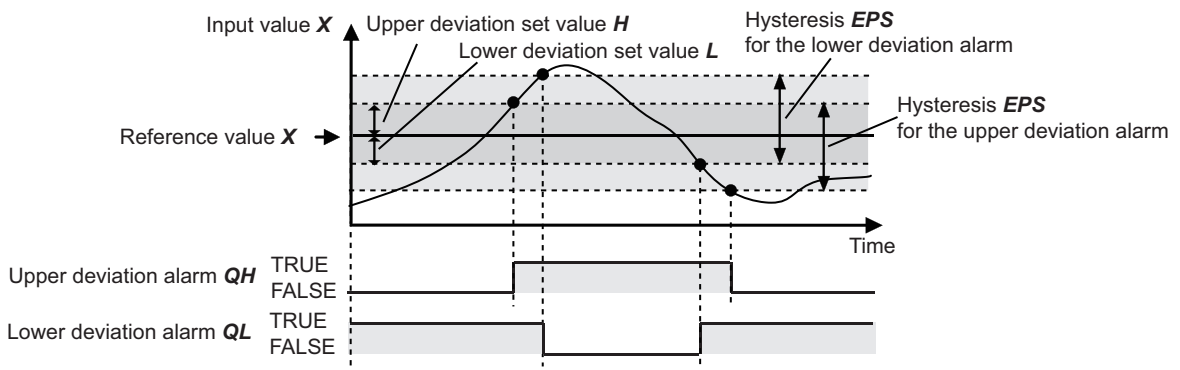
ST

```
LimitAlarmDv_LREAL_instance(A,PV,LREAL#50,SP,LREAL#40,LREAL#10,Alarm,H_Alarm,L_Alarm,Error0);
```

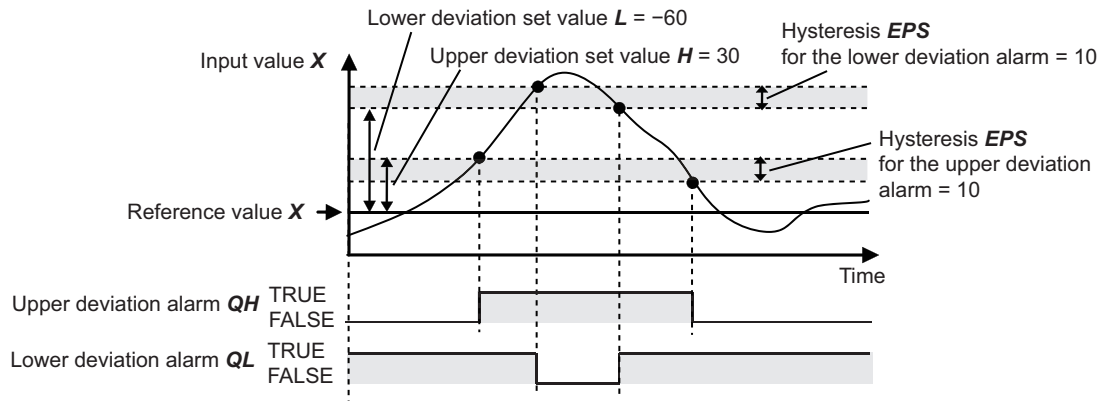


### Additional Information

- Use the LimitAlarmDv\_REAL instruction to reduce the instruction execution time.
- You can set *EPS* to less than  $H + L$ . If you do so, both *QH* and *QL* can be TRUE at the same time.



- You can set  $H + L$  to less than 0. If you do so, either *QH* or *QL* will always be TRUE. For example, the following figure shows the operation when the value of *L* is -60 and the value of *H* is 30.



## Precautions for Correct Use

- An error occurs if the value of  $EPS$  is outside the valid range.  $Error$  changes to TRUE, and  $Q$ ,  $QH$ , and  $QL$  change to FALSE.
- You can use this instruction for safety measures, for example, to turn OFF a temperature control output when a deviation alarm is output. If you do so, design the safety measures so that safety is maintained even when an error causes  $Q$ ,  $QH$ , and  $QL$  to change to FALSE. For an application example, refer to *Sample Programming* on page 2-791 for the TimeProportionalOut instruction.

## Sample Programming

Refer to *Sample Programming* on page 2-791 for the TimeProportionalOut instruction.



# LimitAlarmDvStbySeq\_\*\*

The LimitAlarmDvStbySeq\_\*\* instruction outputs upper and lower deviation alarms with a standby sequence.

Instruction	Name	FB/ FUN	Graphic expression	ST expression
LimitAlarmDvStbySeq_**	Upper/Lower Deviation Alarm with Standby Sequence Group	FB	<p>LimitAlarmDvStbySeq_**_Instance</p> <p>LimitAlarmDvStbySeq_**</p> <p>Enable Q</p> <p>X QH</p> <p>H QL</p> <p>Y StbySeqFlag</p> <p>L Error</p> <p>EPS</p> <p>**** must be REAL or LREAL.</p>	LimitAlarmDvStbySeq_**_instance(Enable, X, H, Y, L, EPS, Q, QH, QL, StbySeqFlag, Error);  **** must be REAL or LREAL.



## Version Information

A CPU Unit with unit version 1.02 or later and Sysmac Studio version 1.03 or higher are required to use this instruction.

## Variables

	Meaning	I/O	Description	Valid range	Unit	Default
Enable	Enable	Input	TRUE: Execute FALSE: Reset alarm	Depends on data type.	---	FALSE
X	Input value		Value for deviation alarm			
H	Upper deviation set value		Set value for an alarm for an upward deviation in respect to the reference value			
Y	Reference value		Reference value for deviation			
L	Lower deviation set value		Set value for an alarm for a downward deviation in respect to the reference value			
EPS	Hysteresis		Hysteresis of the alarm	Depends on data type.*1	0	

	Meaning	I/O	Description	Valid range	Unit	Default
Q	Deviation alarm output	Output	TRUE: There is either an upper deviation alarm or a lower deviation alarm. FALSE: There is neither an upper deviation alarm nor a lower deviation alarm.	Depends on data type.	---	---
QH	Upper deviation alarm		TRUE: There is an upper deviation alarm. FALSE: There is no upper deviation alarm.			
QL	Lower deviation alarm		TRUE: There is a lower deviation alarm. FALSE: There is no lower deviation alarm.			
StbySeq-Flag	Standby Sequence Enabled Flag		TRUE: Enabled FALSE: Disabled			

\*1. Negative numbers are excluded.

	Boo lean	Bit strings					Integers							Real numbers		Times, durations, dates, and text strings				
	BOOL	BYTE	WORD	DWORD	LWORD	USINT	UINT	UDINT	ULINT	SINT	INT	DINT	LINT	REAL	LREAL	TIME	DATE	TOD	DT	STRING
Enable	OK																			
X														OK	OK					
H		Must be same data type as X.																		
Y		Must be same data type as X.																		
L		Must be same data type as X.																		
EPS		Must be same data type as X.																		
Q	OK																			
QH	OK																			
QL	OK																			
StbySeq-Flag	OK																			

## Function

The `LimitAlarmDvStbySeq_**` instruction monitors the deviation in the input value from the reference value to see if it exceeds the lower deviation set value or the upper deviation set value.

If the deviation exceeds the lower deviation set value or the upper deviation set value, the instruction outputs an alarm. However, the instruction will not output an alarm until the reference value first goes to between the lower and upper deviation set values.

Use this instruction in temperature control, e.g., to not output a deviation alarm until the process temperature is stable.

The deviation in input value *X* from the reference value *Y* is monitored while *Enable* is TRUE. However, the deviation is not monitored while Standby Sequence Enabled Flag *StbySeqFlag* is TRUE.

If the upper deviation in  $X$  from  $Y$  exceeds the value of upper deviation set value  $H$ , upper deviation alarm  $QH$  changes to TRUE.

If the lower deviation in  $X$  from  $Y$  exceeds the value of lower deviation set value  $L$ , lower deviation alarm  $QL$  changes to TRUE.

If the value of either  $QH$  or  $QL$  is TRUE, the value of alarm output  $Q$  is TRUE.

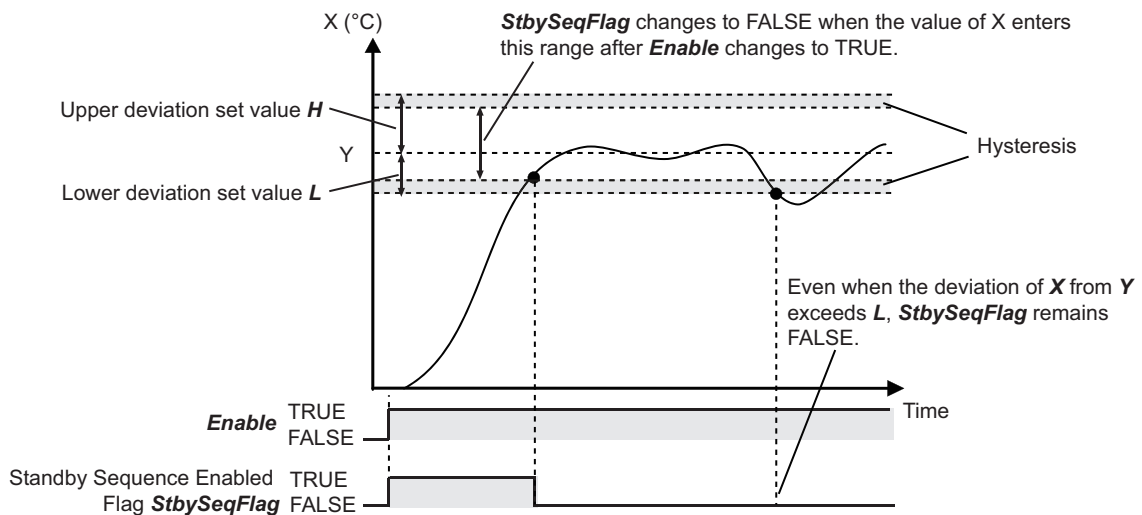
The values of  $X$ ,  $H$ ,  $Y$ ,  $L$ , and  $EPS$  are continuously updated while  $Enable$  is TRUE.

If  $Enable$  changes to FALSE, the alarm is reset. When the alarm is reset,  $Q$ ,  $QH$ ,  $QL$ , and  $StbySeqFlag$  change to FALSE.

$StbySeqFlag$  changes to FALSE when all of the following conditions are met after  $Enable$  changes to TRUE.

After  $StbySeqFlag$  changes to FALSE, it will not change to TRUE until  $Enable$  changes from FALSE to TRUE.

- Input value  $X$  - Reference value  $Y$  < Upper deviation set value  $H$  - Hysteresis  $EPS$
- - (Input value  $X$  - Reference value  $Y$ ) < Lower deviation set value  $L$  - Hysteresis  $EPS$



The data types of  $X$ ,  $H$ ,  $Y$ ,  $L$ , and  $EPS$  must be either REAL or LREAL.

The name of the instruction is determined by the data types of  $X$ ,  $H$ ,  $Y$ ,  $L$ , and  $EPS$ .

If the name of the instruction is LimitAlarmDvStbySeq\_LREAL, the data types of  $X$ ,  $H$ ,  $Y$ ,  $L$ , and  $EPS$  are all LREAL.

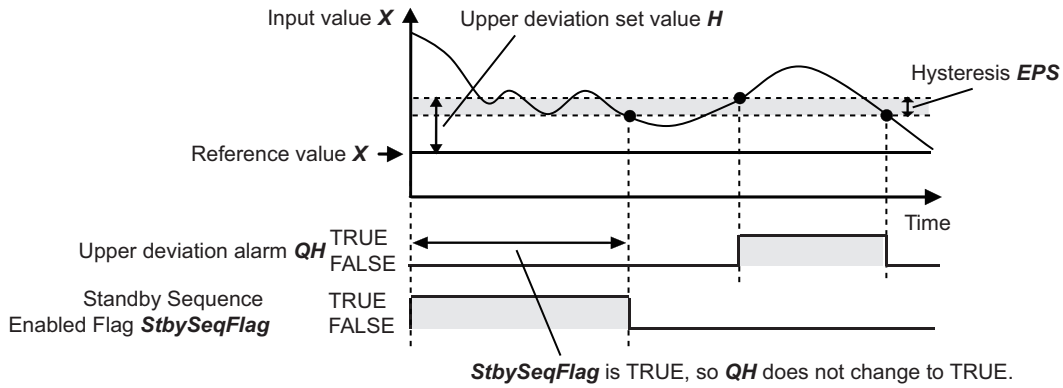
## Operation of Upper Deviation Alarm $QH$

Upper deviation alarm  $QH$  is the alarm for an upward deviation in respect to reference value  $Y$ .

The value of  $QH$  changes as shown below while  $StbySeqFlag$  is FALSE.

You can set the hysteresis to prevent hunting in the deviation alarm.

- If Input value  $X$  - Reference value  $Y$  > Upper deviation set value  $H$ , then the value is TRUE.
- If Input value  $X$  - Reference value  $Y$  < Upper deviation set value  $H$  - Hysteresis  $EPS$ , then the value is FALSE.

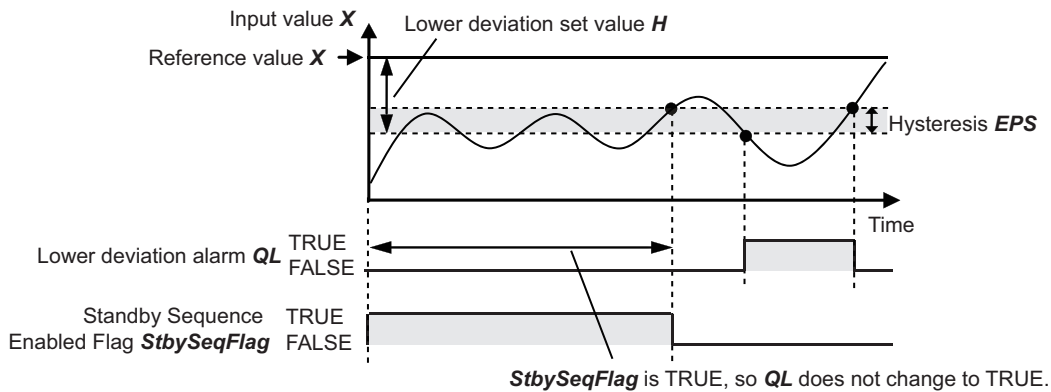


## Operation of Lower Deviation Alarm QL

Lower deviation alarm *QL* is the alarm for a downward deviation in respect to reference value *Y*. The value of *QL* changes as shown below while *StbySeqFlag* is FALSE.

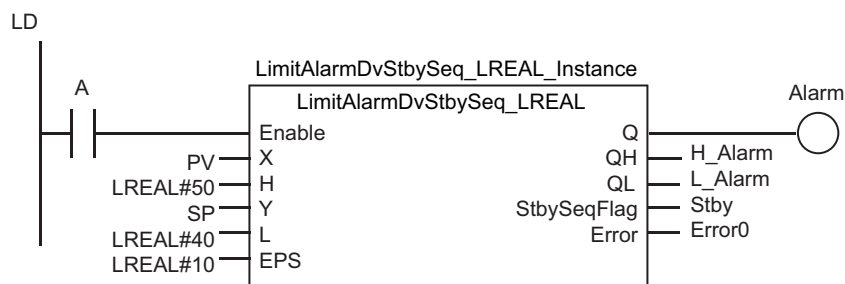
You can set the hysteresis to prevent hunting in the deviation alarm.

- If  $-(\text{Input value } X - \text{Reference value } Y) > \text{Lower deviation set value } L$ , then the value is TRUE.
- If  $-(\text{Input value } X - \text{Reference value } Y) < \text{Lower deviation set value } L - \text{Hysteresis } EPS$ , then the value is FALSE.

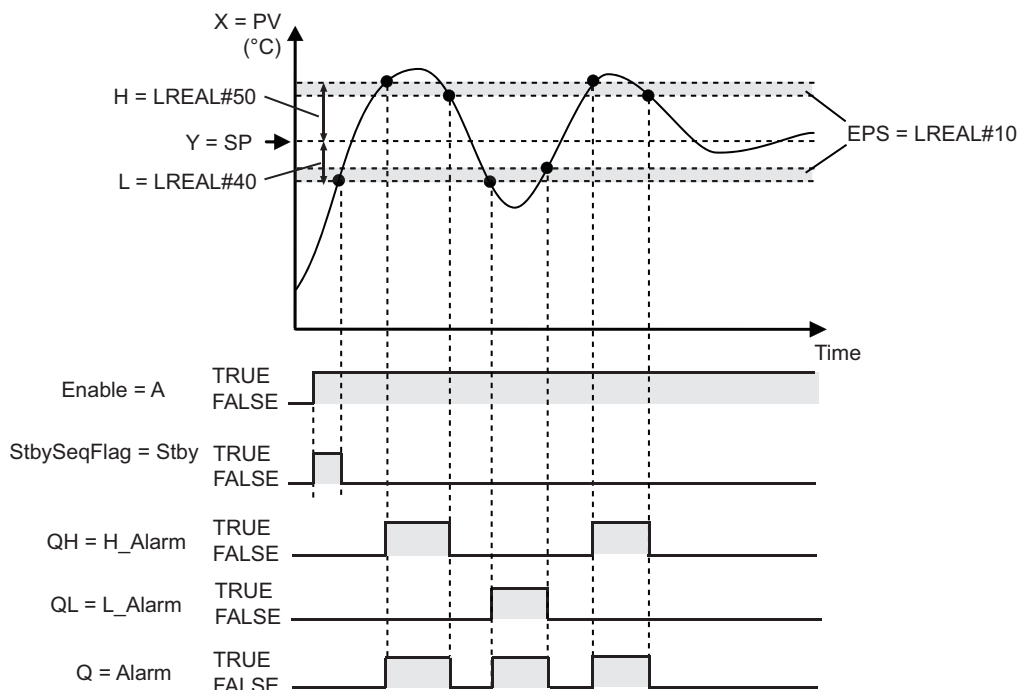


## Notation Example

The following notation example sets upper deviation set value *H* to 50°C, lower deviation set value *L* to 40°C, and hysteresis *EPS* to 10°C.



ST  
 LimitAlarmDvStbySeq\_LREAL\_Instance(A,PV,LREAL#50,SP,LREAL#40,LREAL#10,Alarm,H\_Alarm,L\_Alarm,Stby>Error0);



## Additional Information

- Use the `LimitAlarmDvStbySeq_REAL` instruction to reduce the instruction execution time.
- You can set  $EPS$  larger than  $H + L$ . If you do so, both  $QH$  and  $QL$  can be TRUE at the same time. Refer to the instruction, `LimitAlarmDv_**` on page 2-810.
- You can set as follows:  $H + L < 0$ . If you do so, either  $QH$  or  $QL$  will always be TRUE while `StbySeqFlag` is FALSE. Refer to the instruction, `LimitAlarmDv_**` on page 2-810.

## Precautions for Correct Use

- An error occurs if the value of  $EPS$  is outside the valid range. `Error` changes to TRUE, and  $Q$ ,  $QH$ , and  $QL$  change to FALSE.
- You can use this instruction for safety measures, for example, to turn OFF a temperature control output when a deviation alarm is output. If you do so, design the safety measures so that safety is maintained even when an error causes  $Q$ ,  $QH$ , and  $QL$  to change to FALSE. Refer to *Sample Programming* on page 2-820 for an application example.

## Sample Programming

This sample performs temperature control for four points with upper/lower limit alarms and upper/lower deviation alarms with standby sequences.

PID control is performed. The manipulated variables of PID control are converted to time-proportional output values that are output to heating devices.



## Specifications

Temperature control is performed according to the following specifications.

Item	Specification
Input Unit	CJ1W-PH41U Isolated-type Universal Input Unit
Input types	K thermocouples
Output Unit	CJ1W-OD212 Transistor Output Unit
Set point	100°C
Upper limit of temperature	200°C
Lower limit of temperature	0°C
Hysteresis of upper/lower limit alarm	5°C
Upper deviation temperature	50°C
Lower deviation temperature	50°C
Hysteresis of upper/lower deviation alarm	3°C
Sampling period for PID control	100 ms
Output control period	1 s

## Configuration and Settings

The following settings are used for the CJ1W-PH41U Input Unit.

Item	Set value
Input1:Input signal type	K(1)
Input2:Input signal type	K(1)
Input3:Input signal type	K(1)
Input4:Input signal type	K(1)

The following I/O map settings are used.

Unit	I/O port	Description	Variable
CJ1W-PH41U	Ch1_AllnPV	Process value for input 1 (INT data)	AI1
	Ch2_AllnPV	Process value for input 2 (INT data)	AI2
	Ch3_AllnPV	Process value for input 3 (INT data)	AI3
	Ch4_AllnPV	Process value for input 4 (INT data)	AI4

Unit	I/O port	Description	Variable
CJ1W-OD212	Ch1_Out00	Bit 00 of output word 1	DO1
	Ch1_Out01	Bit 01 of output word 1	DO2
	Ch1_Out02	Bit 02 of output word 1	DO3
	Ch1_Out03	Bit 03 of output word 1	DO4

The inputs and outputs for the temperature control for the four points correspond as shown below.

Input	Output
AI1	DO1
AI2	DO2
AI3	DO3
AI4	DO4

The task period of the task to which the program is assigned is 1 ms.

### ● Configuration Diagram

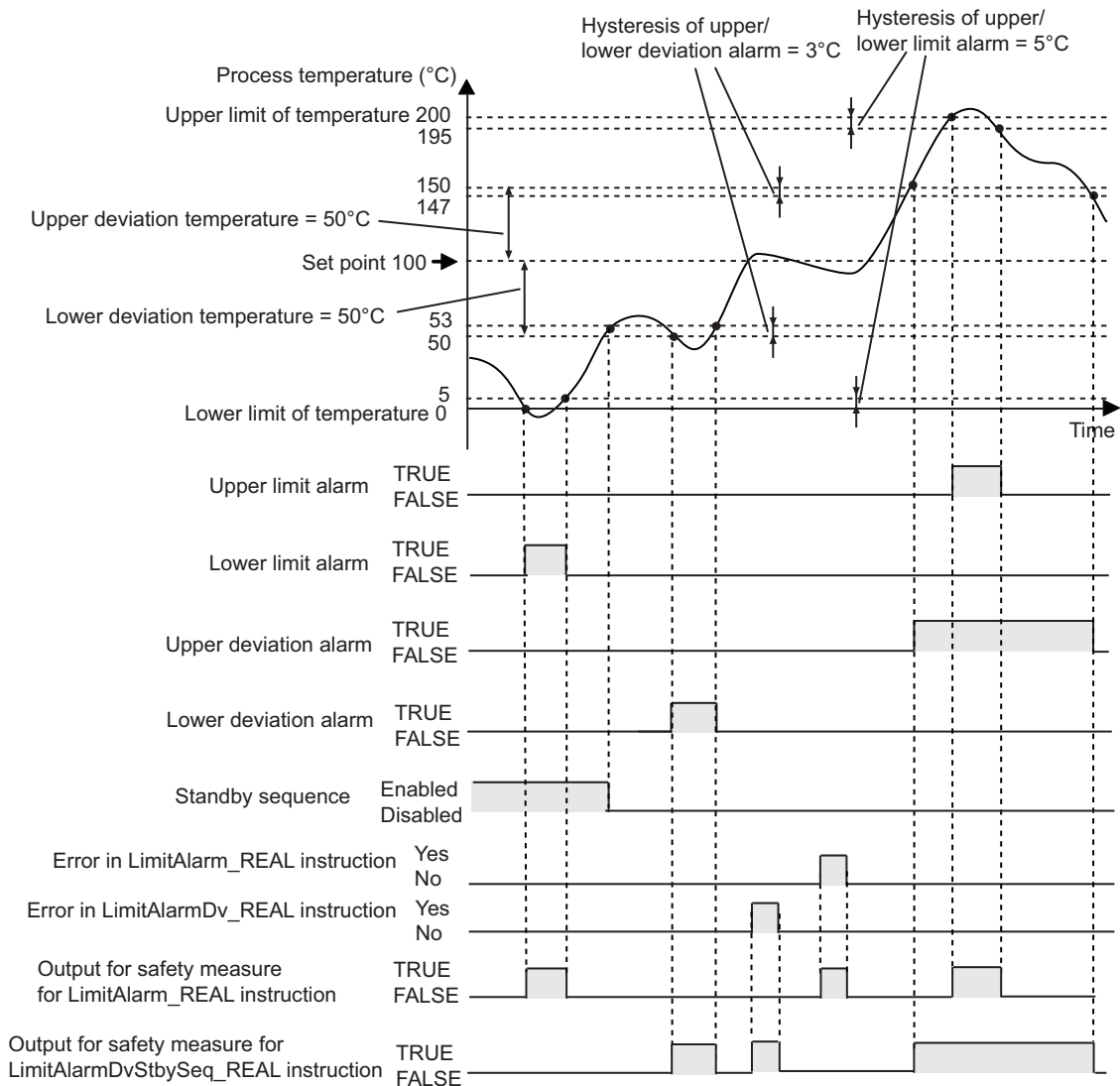
Refer to *Sample Programming* on page 2-791 for the TimeProportionalOut instruction.

## Processing

Perform the following procedure for all four points.

- 1** Get the process temperature.
- 2** Use the LimitAlarm\_REAL instruction to output upper/lower limit alarms for the process temperature.
- 3** Perform an output as a safety measure if an error occurs in the LimitAlarm\_REAL instruction or if an upper/lower limit alarm occurs.
- 4** Use the LimitAlarmDvStbySeq\_REAL instruction to output upper/lower deviation alarms with a standby sequence for the deviation between the set point and the process temperature.
- 5** Perform an output as a safety measure if an error occurs in the LimitAlarmDvStbySeq\_REAL instruction or if an upper/lower deviation alarm occurs.
- 6** Perform temperature control with the PIDAT instruction.
- 7** Use the TimeProportionalOut instruction to output the manipulated variable as a time-proportional value to the heating device.

● Operation of Upper/Lower Limit Alarms and Upper/Lower Deviation Alarms with Standby Sequence



**Definitions of Global Variables**

● Global Variables

Variable	Data type	AT specification*1	Comment
AI1	INT	IOBus://rack#0/slot#0/Ch1_AllnPV	Process value for input 1 (INT data)
AI2	INT	IOBus://rack#0/slot#0/Ch2_AllnPV	Process value for input 2 (INT data)
AI3	INT	IOBus://rack#0/slot#0/Ch3_AllnPV	Process value for input 3 (INT data)
AI4	INT	IOBus://rack#0/slot#0/Ch4_AllnPV	Process value for input 4 (INT data)
DO1	BOOL	IOBus://rack#0/slot#1/Ch1_Out/Ch1_Out00	Bit 00 of output word 1
DO2	BOOL	IOBus://rack#0/slot#1/Ch1_Out/Ch1_Out01	Bit 01 of output word 1
DO3	BOOL	IOBus://rack#0/slot#1/Ch1_Out/Ch1_Out02	Bit 02 of output word 1
DO4	BOOL	IOBus://rack#0/slot#1/Ch1_Out/Ch1_Out03	Bit 03 of output word 1

\*1. This table shows the variables for the CJ1W-PH41U Input Unit mounted to Slot #0 of Rack #0, and the CJ1W-OD212 Output Unit mounted to Slot #1 of the same rack.



**Note** The global variables for the port of each Unit are automatically generated based on the I/O mapping settings.

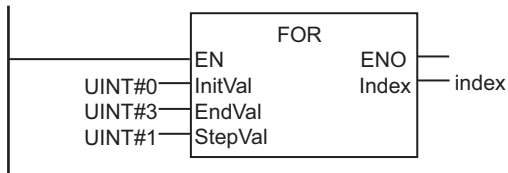
## LD

Name	Data type	Default	Retain	Comment
index	UINT	0	<input type="checkbox"/>	Loop index
LimitAlarm_ON	BOOL	True	<input type="checkbox"/>	Execution of Upper/Lower Limit Alarm instruction
LimitAlarmDvStbySeq_ON	BOOL	True	<input type="checkbox"/>	Execution of Upper/Lower Deviation Alarm with Standby Sequence instruction
TimeProportionalOut_ON	BOOL	True	<input type="checkbox"/>	Execution of Time-ProportionalOut instruction
AI	INT	0	<input type="checkbox"/>	Present value
PV	ARRAY[0..3] OF REAL	[4(0.0)]	<input type="checkbox"/>	Process value
SP	ARRAY[0..3] OF REAL	[4(100)]	<input type="checkbox"/>	Set point
DOut_TPO	BOOL	False	<input type="checkbox"/>	Time-proportional output
HighVal	ARRAY[0..3] OF REAL	[4(200)]	<input type="checkbox"/>	Upper limit set value of upper/lower limit alarm
LowVal	ARRAY[0..3] OF REAL	[4(0.0)]	<input type="checkbox"/>	Lower limit set value of upper/lower limit alarm
Hystrs_LimitAlarm	ARRAY[0..3] OF REAL	[4(5)]	<input type="checkbox"/>	Hysteresis of upper/lower limit alarm
Q_LimitAlarm	ARRAY[0..3] OF BOOL	[4(False)]	<input type="checkbox"/>	Upper/lower limit alarm output
HighAlm	ARRAY[0..3] OF BOOL	[4(False)]	<input type="checkbox"/>	Upper limit alarm
LowAlm	ARRAY[0..3] OF BOOL	[4(False)]	<input type="checkbox"/>	Lower limit alarm
Error_LimitAlarm	ARRAY[0..3] OF BOOL	[4(False)]	<input type="checkbox"/>	Error in LimitAlarm_REAL instruction
Alm_LimitAlarm	ARRAY[0..3] OF BOOL	[4(False)]	<input type="checkbox"/>	Output for safety measure for Upper/Lower Limit Alarm instruction

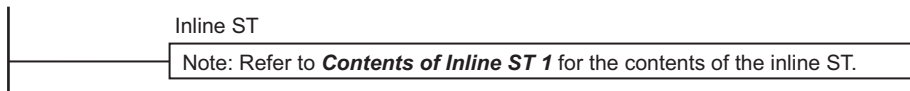
Name	Data type	Default	Retain	Comment
DvHighVal	ARRAY[0..3] OF REAL	[4(50)]	<input type="checkbox"/>	Upper deviation set value of upper/lower deviation alarm
DvLowVal	ARRAY[0..3] OF REAL	[4(50)]	<input type="checkbox"/>	Lower deviation set value of upper/lower deviation alarm
Q_LimitAlarmDv	ARRAY[0..3] OF BOOL	[4(False)]	<input type="checkbox"/>	Upper/lower deviation alarm output
HighAlmDv	ARRAY[0..3] OF BOOL	[4(False)]	<input type="checkbox"/>	Upper deviation alarm
LowAlmDv	ARRAY[0..3] OF BOOL	[4(False)]	<input type="checkbox"/>	Lower deviation alarm
StbySeqFlag	ARRAY[0..3] OF BOOL	[4(False)]	<input type="checkbox"/>	Standby Sequence Enabled Flag
Error_LimitAlarmDvStbySeq	ARRAY[0..3] OF BOOL	[4(False)]	<input type="checkbox"/>	Error in LimitAlarmDvStbySeq_REAL instruction
Hysters_LimitAlarmDv	ARRAY[0..3] OF REAL	[4(3)]	<input type="checkbox"/>	Hysteresis of upper/lower deviation alarm
Alm_LimitAlarmDv	ARRAY[0..3] OF BOOL	[4(False)]	<input type="checkbox"/>	Output for safety measure for Upper/Lower Deviation Alarm instruction
Run	ARRAY[0..3] OF BOOL	[4(False)]	<input type="checkbox"/>	Execution condition
ManCtl	ARRAY[0..3] OF BOOL	[4(False)]	<input type="checkbox"/>	Manual/auto control
StartAT	ARRAY[0..3] OF BOOL	[4(False)]	<input type="checkbox"/>	Autotuning execution condition
OprSetParams	_sOPR_SET_PARAMETERS	(MVLowlmt:=0.0, MVUpLmt:=100.0, ManResetVal:=0.0, MVTrackSw:=False, MVTrackVal:=0.0, StopMV:=0.0, ErrorMV:=0.0, Alpha:=0.65, ATCalcGain:=1.0, ATHysters:=0.2)	<input type="checkbox"/>	Operation setting parameters
InitSetParams	_sINIT_SET_PARAMETERS	(SampTime:=T#100 ms, RngLowLmt:=-10.0, RngUpLmt:=1000.0, DirOpr:=False)	<input type="checkbox"/>	Initial setting parameters
PB	ARRAY[0..3] OF REAL	[4(10)]	<input checked="" type="checkbox"/>	Proportional band
TI	ARRAY[0..3] OF TIME	[4(T#0 s)]	<input checked="" type="checkbox"/>	Integration time
TD	ARRAY[0..3] OF TIME	[4(T#0 s)]	<input checked="" type="checkbox"/>	Derivative time
ManMV	ARRAY[0..3] OF REAL	[4(0.0)]	<input type="checkbox"/>	Manual manipulated variable
ATDone	ARRAY[0..3] OF BOOL	[4(False)]	<input type="checkbox"/>	Autotuning normal completion

Name	Data type	Default	Retention	Comment
ATBusy	ARRAY[0..3] OF BOOL	[4(False)]	<input type="checkbox"/>	Autotuning busy
Error_PIDAT	ARRAY[0..3] OF BOOL	[4(False)]	<input type="checkbox"/>	Error in PIDAT instruction
ErrorID	ARRAY[0..3] OF WORD	[4(16#0)]	<input type="checkbox"/>	Error ID for PIDAT instruction
MV	ARRAY[0..3] OF REAL	[4(0.0)]	<input type="checkbox"/>	Manipulated variable
CtlPrd	ARRAY[0..3] OF TIME	[4(T#1 s)]	<input type="checkbox"/>	Control period
MinPlsWidth	ARRAY[0..3] OF REAL	[4(0.0)]	<input type="checkbox"/>	Minimum pulse width
Delay	ARRAY[0..3] OF REAL	[4(0.0)]	<input type="checkbox"/>	ON-delay time
Error_TimeProportionalOut	ARRAY[0..3] OF BOOL	[4(False)]	<input type="checkbox"/>	Error in TimeProportionalOut instruction
LimitAlarm_REAL_instance	LimitAlarm_REAL		<input type="checkbox"/>	
LimitAlarmDvStbySeq_REAL_instance	LimitAlarmDvStbySeq_REAL		<input type="checkbox"/>	
PIDAT_instance	PIDAT		<input type="checkbox"/>	
TimeProportionalOut_instance	TimeProportionalOut		<input type="checkbox"/>	

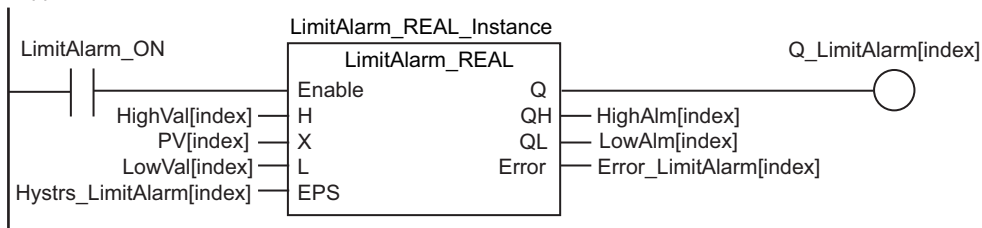
Control temperature for four points.



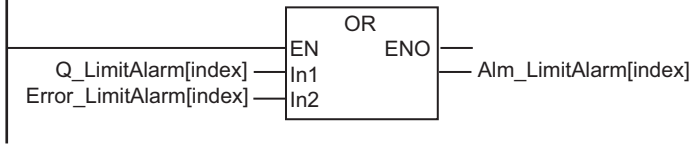
Obtain the process value.



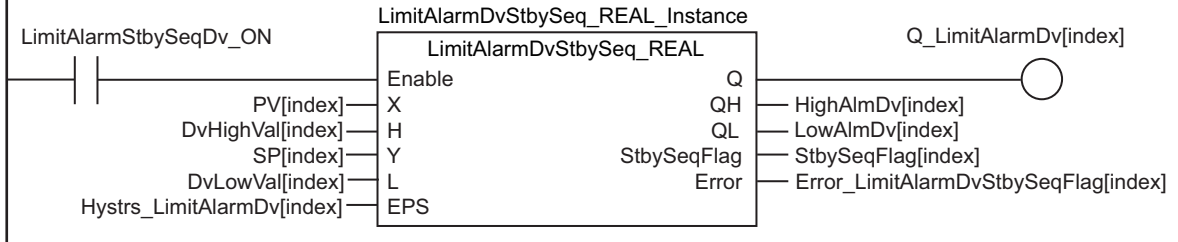
Upper/lower limit alarm



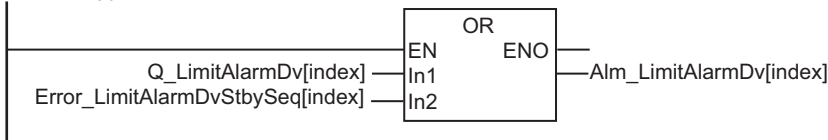
Perform an output as a safety measure if an error occurs in the LimitAlarm\_REAL instruction or if an upper/lower limit alarm occurs.



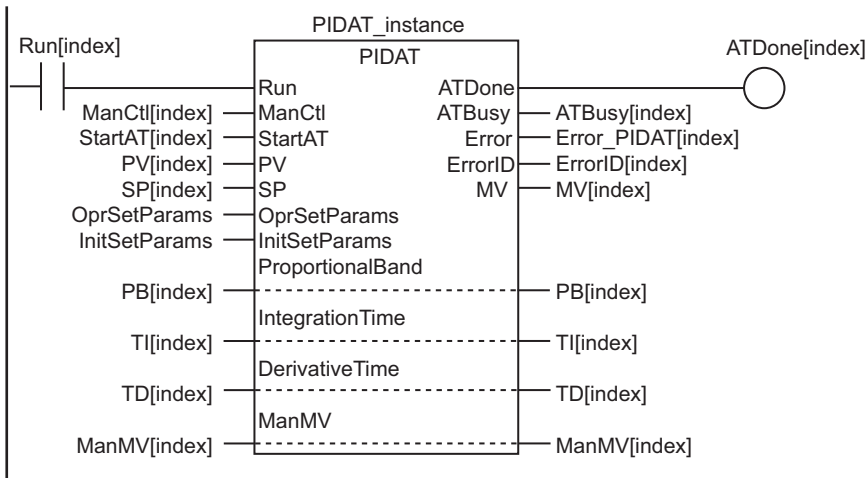
Upper/lower deviation alarm with standby sequence



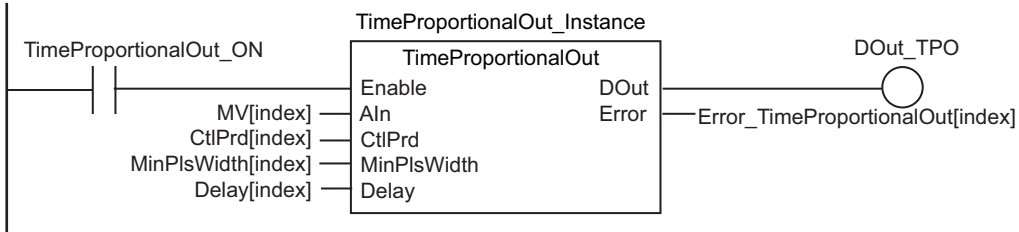
Perform an output as a safety measure if an error occurs in the LimitAlarmDvStbySeq\_REAL instruction or if an upper/lower limit alarm occurs.



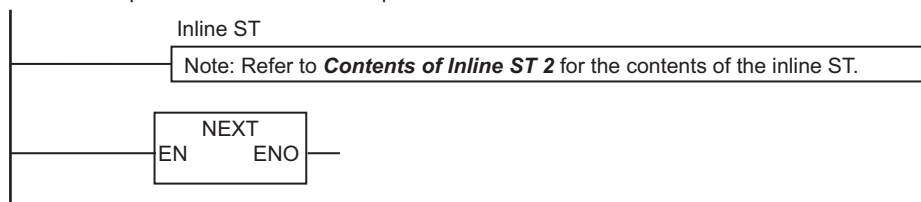
Execute PIDAT instruction.



Time-proportional output



Perform outputs for bits 00 to 03 of output word 1.



### ● Contents of Inline ST 1

```
// Get values of inputs 1 to 4.
CASE index OF
INT#0:
  AI:=AI1;
INT#1:
  AI:=AI2;
INT#2:
  AI:=AI3;
ELSE
  AI:=AI4;
END_CASE;

// Convert PV AI to real number.
PV[index]:=INT_TO_REAL(AI)/REAL#10.0; // CJ1W-PH41U output is ten times the process value, so divide by 10.0.
```

### ● Contents of Inline ST 2

```
// Perform outputs for bits 00 to 03 of output word 1.
CASE index OF
INT#0:
  DO1:=DOut_TPO;
INT#1:
  DO2:=DOut_TPO;
INT#2:
  DO3:=DOut_TPO;
ELSE
  DO4:=DOut_TPO;
END_CASE;
```

## ST

Name	Data type	Default	Retain	Comment
index	UINT	0	<input type="checkbox"/>	Loop index

Name	Data type	Default	Retain	Comment
LimitAlarm_ON	BOOL	True	<input type="checkbox"/>	Execution of Upper/Lower Limit Alarm instruction
LimitAlarmDvStbySeq_ON	BOOL	True	<input type="checkbox"/>	Execution of Upper/Lower Deviation Alarm with Standby Sequence instruction
TimeProportionalOut_ON	BOOL	True	<input type="checkbox"/>	Execution of Time-proportional Output instruction
AI	INT	0	<input type="checkbox"/>	Present value
PV	ARRAY[0..3] OF REAL	0.0	<input type="checkbox"/>	Process value
SP	ARRAY[0..3] OF REAL	[4(100)]	<input type="checkbox"/>	Set point
DOut_TPO	BOOL	False	<input type="checkbox"/>	Time-proportional output
HighVal	ARRAY[0..3] OF REAL	[4(200)]	<input type="checkbox"/>	Upper limit set value of upper/lower limit alarm
LowVal	ARRAY[0..3] OF REAL	[4(0.0)]	<input type="checkbox"/>	Lower limit set value of upper/lower limit alarm
Hysters_LimitAlarm	ARRAY[0..3] OF REAL	[4(5)]	<input type="checkbox"/>	Hysteresis of upper/lower limit alarm
Q_LimitAlarm	ARRAY[0..3] OF BOOL	[4(False)]	<input type="checkbox"/>	Upper/lower limit alarm output
HighAlm	ARRAY[0..3] OF BOOL	[4(False)]	<input type="checkbox"/>	Upper limit alarm
LowAlm	ARRAY[0..3] OF BOOL	[4(False)]	<input type="checkbox"/>	Lower limit alarm
Error_LimitAlarm	ARRAY[0..3] OF BOOL	[4(False)]	<input type="checkbox"/>	Error in LimitAlarm_REAL instruction
Alm_LimitAlarm	ARRAY[0..3] OF BOOL	[4(False)]	<input type="checkbox"/>	Output for safety measure for Upper/Lower Limit Alarm instruction
DvHighVal	ARRAY[0..3] OF REAL	[4(50)]	<input type="checkbox"/>	Upper deviation set value of upper/lower deviation alarm
DvLowVal	ARRAY[0..3] OF REAL	[4(50)]	<input type="checkbox"/>	Lower deviation set value of upper/lower deviation alarm
Q_LimitAlarmDv	ARRAY[0..3] OF BOOL	[4(False)]	<input type="checkbox"/>	Upper/lower deviation alarm output
HighAlmDv	ARRAY[0..3] OF BOOL	[4(False)]	<input type="checkbox"/>	Upper deviation alarm

Name	Data type	Default	Retain	Comment
LowAlmDv	ARRAY[0..3] OF BOOL	[4(False)]	<input type="checkbox"/>	Lower deviation alarm
StbySeqFlag	ARRAY[0..3] OF BOOL	[4(False)]	<input type="checkbox"/>	Standby Sequence Enabled Flag
Error_LimitAlarmDvStbySeq	ARRAY[0..3] OF BOOL	[4(False)]	<input type="checkbox"/>	Error in LimitAlarmDvStbySeq_REAL instruction
Hysters_LimitAlarmDv	ARRAY[0..3] OF REAL	[4(3)]	<input type="checkbox"/>	Hysteresis of upper/lower deviation alarm
Alm_LimitAlarmDv	ARRAY[0..3] OF BOOL	[4(False)]	<input type="checkbox"/>	Output for safety measure for Upper/Lower Deviation Alarm instruction
Run	ARRAY[0..3] OF BOOL	[4(False)]	<input type="checkbox"/>	Execution condition
ManCtl	ARRAY[0..3] OF BOOL	[4(False)]	<input type="checkbox"/>	Manual/auto control
StartAT	ARRAY[0..3] OF BOOL	[4(False)]	<input type="checkbox"/>	Autotuning execution condition
OprSetParams	_sOPR_SET_PARAMS	(MVLowLmt:=0.0, MVUpLmt:=100.0, ManResetVal:=0.0, MVTrackSw:=False, MVTrackVal:=0.0, StopMV:=0.0, ErrorMV:=0.0, Alpha:=0.65, ATCalcGain:=1.0, ATHysters:=0.2)	<input type="checkbox"/>	Operation setting parameters
InitSetParams	_sINIT_SET_PARAMS	(SampTime:=T#100 ms, RngLowLmt:=-10.0, RngUpLmt:=1000.0, DirOpr:=False)	<input type="checkbox"/>	Initial setting parameters
PB	ARRAY[0..3] OF REAL	[4(10)]	<input checked="" type="checkbox"/>	Proportional band
TI	ARRAY[0..3] OF TIME	[4(T#0 s)]	<input checked="" type="checkbox"/>	Integration time
TD	ARRAY[0..3] OF TIME	[4(T#0 s)]	<input checked="" type="checkbox"/>	Derivative time
ManMV	ARRAY[0..3] OF REAL	[4(0.0)]	<input type="checkbox"/>	Manual manipulated variable
ATDone	ARRAY[0..3] OF BOOL	[4(False)]	<input type="checkbox"/>	Autotuning normal completion
ATBusy	ARRAY[0..3] OF BOOL	[4(False)]	<input type="checkbox"/>	Autotuning busy
Error_PIDAT	ARRAY[0..3] OF BOOL	[4(False)]	<input type="checkbox"/>	Error in PIDAT instruction
ErrorID	ARRAY[0..3] OF WORD	[4(16#0)]	<input type="checkbox"/>	Error ID for PIDAT instruction
MV	ARRAY[0..3] OF REAL	[4(0.0)]	<input type="checkbox"/>	Manipulated variable
CtlPrd	ARRAY[0..3] OF TIME	[4(T#1 s)]	<input type="checkbox"/>	Control period

Name	Data type	Default	Retain	Comment
MinPlsWidth	ARRAY[0..3] OF REAL	[4(0.0)]	<input type="checkbox"/>	Minimum pulse width
Delay	ARRAY[0..3] OF REAL	[4(0.0)]	<input type="checkbox"/>	ON-delay time
Error_TimeProportionalOut	ARRAY[0..3] OF BOOL	[4(False)]	<input type="checkbox"/>	Error in TimeProportionalOut instruction
LimitAlarm_REAL_instance	LimitAlarm_REAL		<input type="checkbox"/>	
LimitAlarmDvStbySeq_REAL_instance	LimitAlarmDvStbySeq_REAL		<input type="checkbox"/>	
PIDAT_instance	PIDAT		<input type="checkbox"/>	
TimeProportionalOut_instance	TimeProportionalOut		<input type="checkbox"/>	

```
// Control temperature for four points.
FOR index:=UINT#0 TO UINT#3 BY UINT#1 DO

    // Get values of inputs 1 to 4.
    CASE index OF
    INT#0:
        AI:=AI1;
    INT#1:
        AI:=AI2;
    INT#2:
        AI:=AI3;
    ELSE
        AI:=AI4;
    END_CASE;

    // Convert PV AI to real number.
    PV[index]:=INT_TO_REAL(AI)/REAL#10.0; // CJ1W-PH41U output is ten times the process value, so divide by 10.0.

    // Upper/lower limit alarm
    LimitAlarm_REAL_instance(
        Enable :=LimitAlarm_ON,
        H :=HighVal[index],
        X :=PV[index],
        L :=LowVal[index],
        EPS :=Hysters_LimitAlarm[index],
        Q =>Q_LimitAlarm[index],
        QH =>HighAlm[index],
        QL =>LowAlm[index],
        Error =>Error_LimitAlarm[index]);
```



```

// Perform an output as a safety measure if an error occurs in the LimitAlarm_REAL
L instruction or if an upper/lower limit alarm occurs.
Alm_LimitAlarm[index]:=Q_LimitAlarm[index] OR Error_LimitAlarm[index];

// Upper/lower deviation alarm with standby sequence
LimitAlarmDvStbySeq_REAL_instance(
  Enable :=LimitAlarmDvStbySeq_ON,
  X :=PV[index],
  H :=DvHighVal[index],
  Y :=SP[index],
  L :=DvLowVal[index],
  EPS :=Hysters_LimitAlarmDv[index],
  Q =>Q_LimitAlarmDv[index],
  QH =>HighAlmDv[index],
  QL =>LowAlmDv[index],
  StbySeqFlag =>StbySeqFlag[index],
  Error =>Error_LimitAlarmDvStbySeq[index]);

// Perform an output as a safety measure if an error occurs in the
// LimitAlarmDvStbySeq_REAL instruction or if an upper/lower limit alarm occurs.
Alm_LimitAlarmDv[index]:=Q_LimitAlarmDv[index] OR Error_LimitAlarmDvStbySeq[index
];

// Execute PIDAT instruction.
PIDAT_instance(
  Run :=Run[index],
  ManCtl :=ManCtl[index],
  StartAT :=StartAT[index],
  PV :=PV[index],
  SP :=SP[index],
  OprSetParams :=OprSetParams,
  InitSetParams :=InitSetParams,
  ProportionalBand:=PB[index],
  IntegrationTime :=TI[index],
  DerivativeTime :=TD[index],
  ManMV :=ManMV[index],
  ATDone =>ATDone[index],
  ATBusy =>ATBusy[index],
  Error =>Error_PIDAT[index],
  ErrorID =>ErrorID[index],
  MV =>MV[index]);

// Time-proportional output
TimeProportionalOut_instance(
  Enable :=TimeProportionalOut_ON,
  AIn :=MV[index],

```

```
    CtlPrd :=CtlPrd[index],
    MinPlsWidth :=MinPlsWidth[index],
    Delay :=Delay[index],
    DOut =>DOut_TPO,
    Error =>Error_TimeProportionalOut[index]);

// Perform outputs for bits 00 to 03 of output word 1.
CASE index OF
INT#0:
    DO1:=DOut_TPO;
INT#1:
    DO2:=DOut_TPO;
INT#2:
    DO3:=DOut_TPO;
ELSE
    DO4:=DOut_TPO;
END_CASE;

END_FOR;
```

# ScaleTrans

The ScaleTrans instruction converts input values from an input range to an output range.

Instruction	Name	FB/ FUN	Graphic expression	ST expression
ScaleTrans	Scale Transformation	FUN		Out :=ScaleTrans(ScIn, X0, Y0, X1, Y1, ScOfs);



## Version Information

A CPU Unit with unit version 1.05 or later and Sysmac Studio version 1.06 or higher are required to use this instruction.

## Variables

	Meaning	I/O	Description	Valid range	Unit	Default
ScIn	Input value	Input	Value to scale	Depends on data type.	---	*1
X0	Input range lower limit		Lower limit of input range			0
Y0	Output range lower limit		Lower limit of output range			
X1	Input range upper limit		Upper limit of input range			
Y1	Output range upper limit		Upper limit of output range			
ScOfs	Offset		Offset for output value			
Out	Output Value	Output	Value after scale transformation	---	---	

\*1. If you omit the input parameter, the default value is not applied. A building error will occur.

	Boo lean	Bit strings					Integers							Real num bers		Times, durations, dates, and text strings				
	BOOL	BYTE	WORD	DWORD	LWORD	USINT	UINT	UDINT	ULINT	SINT	INT	DINT	LINT	REAL	LREAL	TIME	DATE	TOD	DT	STRING
ScIn														OK	OK					
X0														OK	OK					
X1														OK	OK					
Y0														OK	OK					
Y1														OK	OK					
ScOfs														OK	OK					
Out														OK	OK					

## Function

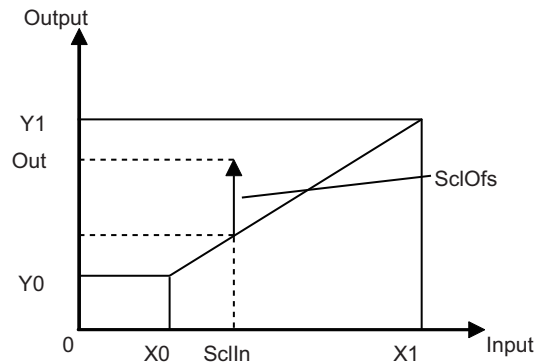
The Scale Trans instruction scales the value of input value *ScIn* from an input range to an output range.

The input range is specified with input range lower limit *X0* and input range upper limit *X1*. The output range is specified with output range lower limit *Y0* and output range upper limit *Y1*.

The value of offset *ScOfs* is added to the value that was scaled to the output range, and the result is output as output value *Out*. *ScOfs* is used, for example, to correct error in temperature control.

The following conversion is used.

$$\text{Out} = \frac{Y1-Y0}{X1-X0} (\text{ScIn} - X0) + Y0 + \text{ScOfs}$$

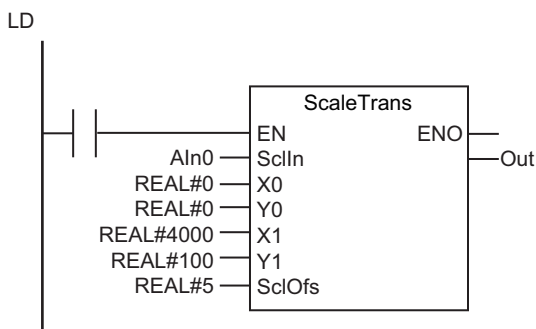


## Notation Example

The following notation example scales an input value of 2,500 from an input range of 0 to 4,000 to an output range of 0% to 100%. An offset of 5% is added to the output value.

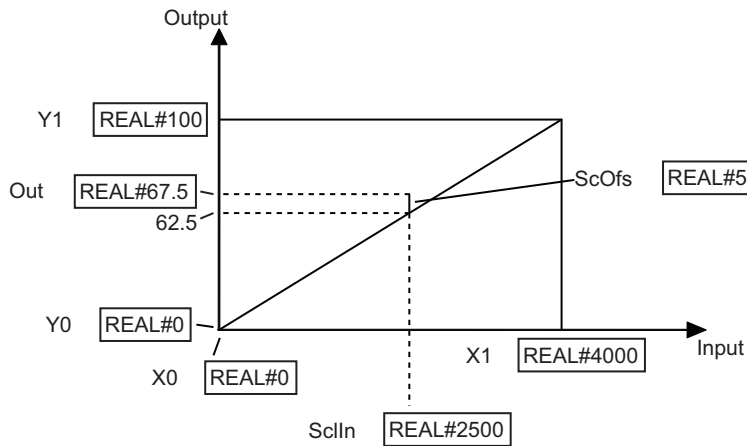
The following values are used: *ScIn* = REAL#2500, *X0* = REAL#0, *X1* = REAL#4000, *Y0* = REAL#0, *Y1* = REAL#100, and *ScOfs* = REAL#5.

The value of *Out* will be REAL#67.5.



ST

```
Out := ScaleTrans(AIn0, REAL#0, REAL#0, REAL#4000,
REAL#100, REAL#5);
```



An input value of 2,500 is scaled to 62.5 for an input range of 0 to 4,000 and an output range of 0 to 100. When an offset of 5 is added, **Out** becomes REAL#67.5.

## Additional Information

- When scaling *ScIn* to the range of *PV* or *SP* of the PIDAT instruction, pass the following parameters to *Y0* and *Y1*.

Variable	Parameter
Y0	<i>InitSetParams.RngLowLmt</i> (input range lower limit of the PIDAT instruction)
Y1	<i>InitSetParams.RngUpLmt</i> (input range upper limit of the PIDAT instruction)

- Settings are also possible with  $X1 < X0$  and  $Y1 < Y0$ .

## Precautions for Correct Use

If you pass an integer parameter to *ScIn*, the data type is converted as follows:

Data type of parameter that is passed to <i>ScIn</i>	Data type of <i>ScIn</i> , <i>X0</i> , <i>X1</i> , <i>Y0</i> , <i>Y1</i> , and <i>ScOfs</i>
USINT, UINT, SINT, or INT	REAL
UDINT or DINT	LREAL
ULINT or LINT	A building error will occur.

# AC\_StepProgram

The AC\_StepProgram instruction calculates the present set point and the predicted set point every task period according to the specified program pattern.

Instruction	Name	FB/ FUN	Graphic expression	ST expression
AC_StepProgram	Step Program	FB		AC_StepProgram_instance(Enable, Hold, Advance, PV, IntegrationTime, Alpha, Option, ProgramPattern, Done, Busy, Error, ErrorID, Wait, StepNo, PresentSP, PredictSP, TimelInfo);



## Version Information

A CPU Unit with unit version 1.06 or later and Sysmac Studio version 1.07 or higher are required to use this instruction.

## Variables

	Meaning	I/O	Description	Valid range	Unit	Default			
Enable	Enable	Input	TRUE: Execute FALSE: Stop	Depends on data type.	---	FALSE			
Hold	Hold		TRUE: Hold FALSE: Do not hold						
Advance	Advance		The number of the step that is executed is incremented each time this variable changes to TRUE.						
PV	Process value		Measured value (process value)* <sup>1</sup>				0		
Integration-Time	Integration time		Integration time* <sup>2</sup>				T#0.0000 s to T#10000.0000 s* <sup>3</sup>	s	T#0 s
Alpha	2-PID Parameter $\alpha$		2-PID parameter $\alpha$ * <sup>4</sup>				0.00 to 1.00	---	0
Option	Option	Option* <sup>5</sup>	---	---	---				
Program-Pattern[] array	Program pattern	In-out	Program pattern	---	---	---			

	Meaning	I/O	Description	Valid range	Unit	Default
Wait	Waiting	Output	TRUE: Waiting FALSE: Not waiting	Depends on data type.	---	---
StepNo	Present step number		The number of the current step	0 to 255*6		
PresentSP	Present set point		The calculated present set point	Depends on data type.		
PredictSP	Predicted set point		The calculated predicted set point			
TimeInfo	Clock information		Clock information to monitor the progress of the instruction	---		

- \*1. It is the same as *PV* in the PIDAT instruction. Refer to *PV (Process Value)* on page 2-841 for details.
- \*2. It is the same as *IntegrationTime* in the PIDAT instruction. Refer to *IntegrationTime (Integration Time)* on page 2-842 for details.
- \*3. Digits below 0.0001 s are truncated.
- \*4. It is the same as *OprSetParams.Alpha* in the PIDAT instruction. Refer to *Alpha (2-PID Parameter  $\alpha$ )* on page 2-842 for details.
- \*5. Refer to *Structure Specifications* on page 2-839 for details.
- \*6. The valid range is 0 to 99 for NX701, NX1P2, and NJ-series CPU Units with unit version 1.20 or earlier, and NX102 CPU Units with unit version 1.31 or earlier.

	Boo lean	Bit strings					Integers							Real num- bers		Times, durations, dates, and text strings				
	BOOL	BYTE	WORD	DWORD	LWORD	USINT	UINT	UDINT	ULINT	SINT	INT	DINT	LINT	REAL	LREAL	TIME	DATE	TOD	DT	STRING
Enable	OK																			
Hold	OK																			
Advance	OK																			
PV														OK						
Integration-Time																OK				
Alpha														OK						
Option	Refer to <i>Structure Specifications</i> on page 2-839 for details on the structure <code>_sAC_STEP_OPTION</code> .																			
ProgramPattern[] array*1*2*3	Refer to <i>Structure Specifications</i> on page 2-839 for details on the structure <code>_sAC_STEP_DATA</code> . Specify an array.																			
Wait	OK																			
StepNo						OK														
PresentSP														OK						
PredictSP														OK						
TimeInfo	Refer to <i>Structure Specifications</i> on page 2-839 for details on the structure <code>_sAC_STEP_TIME</code> .																			

- \*1. The maximum number of elements in an array depends on the unit version of the CPU Unit or Controller, as below.
  - The maximum number of elements in an array is 256 for NX502 and NX102 CPU Units with unit version 1.32 or later, and NX701, NX1P2 and NJ-series CPU Units with unit version 1.21 or later.
  - It is 100 for unit versions other than those above.
- \*2. This is a one-dimensional array. If an array with more than one dimension is specified, a building error will occur.
- \*3. The first array element number is 0. If a number other than 0 is specified for the first array element, a building error will occur.

## Function

The `AC_StepProgram` instruction calculates *PresentSP* (present set point) and *PredictSP* (predicted set point) every task period in order to perform manipulated variable control for a temperature controller in association with the `PIDAT` instruction.

The present set point is the set point in the present task period.

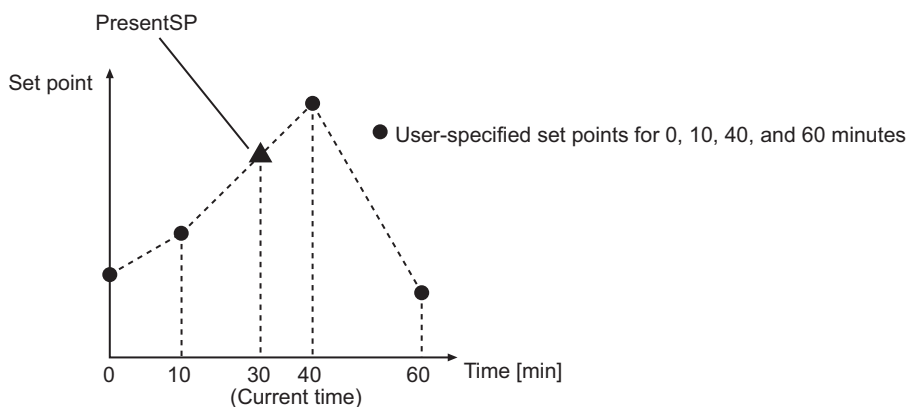
The predicted set point is arrived at by applying delay compensation for 2-PID control to the present set point.

By passing predicted set point *PredictSP* to set point *SP* of the `PIDAT` instruction, you can improve the tracking characteristic of programmed control with the `PIDAT` instruction.

### **PresentSP (Present Set Point)**

Present set point *PresentSP* is the set point in the present task period.

For example, assume that the user sets the set points for 0, 10, 40, and 60 minutes after the start of control as shown below. Also assume that the current time is 30 minutes after the start of control. The `AC_StepProgram` instruction performs linear interpolation of the set points for 10 minutes and 40 minutes after the start of control and calculates *PresentSP*.

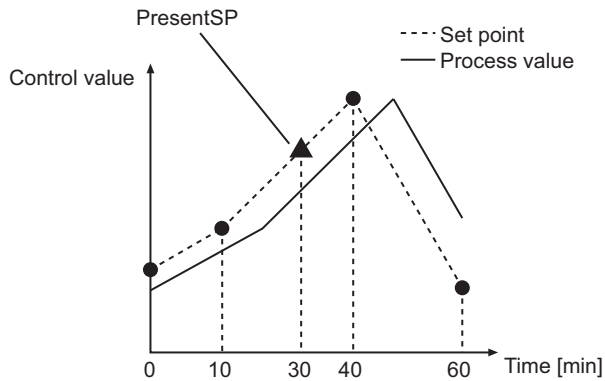


### **PredictSP (Predicted Set Point)**

Predicted set point *PredictSP* is a set point obtained by applying 2-PID control delay compensation to present set point *PresentSP*.

If *PresentSP* is passed to *SP* for the `PIDAT` instruction without the delay compensation, *PV* for the `PIDAT` instruction will not match the set point. This is illustrated in the following figure.

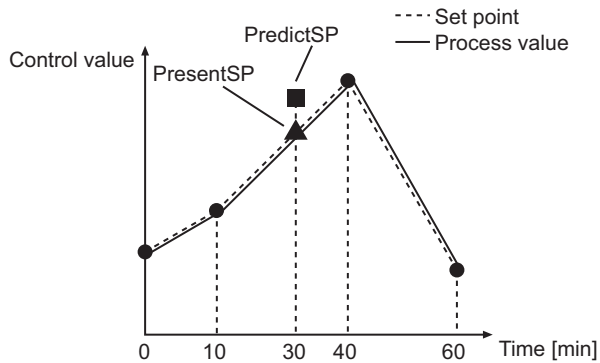




This delay can be corrected using *PredictSP*.

The AC\_StepProgram instruction calculates *PredictSP* based on integration time *IntegrationTime* and 2-PID parameter  $\alpha$  *Alpha*.

By passing *PredictSP* to *SP* for the PIDAT instruction, the tracking characteristic of programmed control with the PIDAT instruction is improved.



## Structure Specifications

The data type of *Option* is structure `_sAC_STEP_OPTION`. The specifications are as follows:

Name	Meaning	Description	Data type	Valid range	Unit	Default
Option	Option	Option	_sAC_STEP_OPTION	---		---
StartAtPV	Start at PV	TRUE: Enable starting at PV FALSE: Disable starting at PV	BOOL	Depends on data type.		FALSE
StartStepNo	Start step number	The step number from which to start processing	USINT	0 to 255 *1	---	0
EndStepNo	End step number	The step number from which to end processing*2	USINT			
Reserved	Reserved.	Reserved.	ARRAY[0..31] OF BYTE	Depends on data type.		All 32 elements contain 0.

\*1. The valid range is 0 to 99 for NX701, NX1P2, and NJ-series CPU Units with unit version 1.20 or earlier, and NX102 CPU Units with unit version 1.31 or earlier.

\*2. When 0 is set, the largest element number in ProgramPattern[] is regarded as the end step number.

The data type of the elements of program pattern ProgramPattern[] is structure \_sAC\_STEP\_DATA.

The specifications are as follows:

Name	Meaning	Description	Data type	Valid range	Unit	Default
ProgramPattern	Program pattern	Program pattern	_sAC_STEP_DATA	---		---
ReachSP	Target set point	The target step point for the step	REAL	Depends on data type.	---	0
TimeWidth	Time width	The time width of the step*1	TIME		s	T#0 s
WaitWidth	Wait width	The wait width of the step*2	REAL		---	0
WaitTimeLimit	Wait time upper limit	The upper limit of the wait width of the step*1*3	TIME		s	T#0 s

\*1. The resolution is one task period.

\*2. A setting of 0 or less is treated as 0.

\*3. A setting of 0 or less is treated as T#0 s.

The data type of clock information *TimeInfo* is structure \_sAC\_STEP\_TIME. The specifications are as follows:

Name	Meaning	Description	Data type	Valid range	Unit	Default
TimeInfo	Clock information	Clock information	_sAC_STEP _TIME	---	---	---
Program-Time	Program time	The total of <i>TimeWidth</i> from step 0 to <i>EndStepNo</i> .	TIME	Non-negative value	s	T#0 s
ElapseTime	Elapsed time	The elapsed time from when instruction execution started*1	TIME			
ProgressTime	Progress time	The elapsed time from when instruction execution started*2	TIME			
LeftTime	Remaining time	The time from the present until all processing is completed*2	TIME			
StepProgressTime	Step progress time	The elapsed time from the start of the current step*2	TIME			
StepLeftTime	Step remaining time	The time from the present until all processing is completed for the current step*2	TIME			

\*1. Includes the wait time. Does not include the hold time.

\*2. This value does not include the wait time and hold time.

## Meanings of Variables

The meanings of the variables that are used in this instruction are described below.

### ● Enable (Enable)

This is the execution condition for the instruction.

Instruction execution starts when *Enable* changes to TRUE. Instruction execution stops when *Enable* changes to FALSE.

### ● Hold (Hold)

This is the execution flag for holding.

Holding is performed when *Hold* changes to TRUE.

Refer to *Holding* on page 2-847 for details on holding.

### ● Advance (Advance)

If the value changes to TRUE during instruction execution, processing moves to the next step.

Refer to *Advancing* on page 2-849 for details on advancing.

### ● PV (Process Value)

This variable gives the process value of the controlled system. It is the same as *PV* for the PIDAT instruction.

**● IntegrationTime (Integration Time)**

This variable is the same as *IntegrationTime* for the PIDAT instruction.

Input the value or variable of *IntegrationTime* for the PIDAT instruction or the PIDAT\_HeatCool instruction.

**● Alpha (2-PID Parameter  $\alpha$ )**

This variable is the same as *OprSetParams.Alpha* for the PIDAT instruction.

Input the value or variable of *OprSetParams.Alpha* for the PIDAT instruction or PIDAT\_HeatCool instruction.

**● StartAtPV (Start at PV)**

This variable is the execution flag for starting at the process value.

Starting at the process value is performed when *StartAtPV* is TRUE.

Refer to *Start at PV* on page 2-847 for details on starting at the process value.

**● StartStepNo (Start Step Number) and EndStepNo (End Step Number)**

These variables give the number for the step from which to start processing and the number of the step to end processing of the steps in the program pattern.

When 0 is set for *EndStepNo*, the largest element number in *ProgramPattern[]* is regarded as the end step number.

Refer to *Program Pattern* on page 2-844 for details on program patterns and steps.

**● ReachSP (Target Set Point)**

This variable gives the set point that should be reached at the end of the step in the program pattern.

Refer to *Program Pattern* on page 2-844 for details on program patterns and steps.

**● TimeWidth (Time Width)**

This variable gives the time width for the step in the program pattern.

Refer to *Program Pattern* on page 2-844 for details on program patterns and steps.

**● WaitWidth (Wait Width)**

This variable gives the threshold for performing waiting in the step in the program pattern.

Refer to *Waiting* on page 2-845 for details on waiting.

**● WaitTimeLimit (Wait Time Limit)**

This variable gives the upper limit of the wait time for waiting in the step in the program pattern.

If the value of *WaitTimeLimit* is T#0, the upper limit of the wait time is infinity.

Refer to *Waiting* on page 2-845 for details on waiting.

**● Wait (Waiting)**

This variable is a flag that indicates if waiting is in progress.

If *Wait* is TRUE, waiting is in progress.

Refer to *Waiting* on page 2-845 for details on waiting.

- **StepNo (Present Step Number)**

This variable gives the number of the current step.

Refer to *Program Pattern* on page 2-844 for details on program patterns and steps.

- **PresentSP (Present Set Point)**

This variable gives the calculated present set point.

Refer to *PresentSP (Present Set Point)* on page 2-838 for details.

- **PredictSP (Predicted Set Point)**

This variable gives the calculated predicted set point.

Refer to *PredictSP (Predicted Set Point)* on page 2-838 for details.

- **ProgramTime (Program Time)**

This variable gives the total of *TimeWidth* from step 0 to *EndStepNo* in the program pattern.

Refer to *Program Pattern* on page 2-844 for details on program patterns and steps.

- **ElapseTime (Elapsed Time)**

This variable gives the elapsed time from when instruction execution started. This value includes the wait time but not the hold time.

Refer to *Waiting* on page 2-845 for details on waiting, and refer to *Holding* on page 2-847 for details on holding.

- **ProgressTime (Progress Time)**

This variable gives the elapsed time from when instruction execution started. This value does not include the wait time and hold time.

Refer to *Waiting* on page 2-845 for details on waiting, and refer to *Holding* on page 2-847 for details on holding.

- **LeftTime (Remaining Time)**

This variable gives the time from the present until all processing is completed. This value does not include the wait time and hold time.

Refer to *Waiting* on page 2-845 for details on waiting, and refer to *Holding* on page 2-847 for details on holding.

- **StepProgressTime (Step Progress Time)**

This variable gives the elapsed time from the start of the current step in the program pattern. This value does not include the wait time and hold time.

Refer to *Program Pattern* on page 2-844 for details on program patterns and steps.

Refer to *Waiting* on page 2-845 for details on waiting, and refer to *Holding* on page 2-847 for details on holding.

- **StepLeftTime (Step Remaining Time)**

This variable gives the time from the present until all processing is completed for the current step in the program pattern. This value does not include the wait time and hold time.

Refer to *Program Pattern* on page 2-844 for details on program patterns and steps.

Refer to *Waiting* on page 2-845 for details on waiting, and refer to *Holding* on page 2-847 for details on holding.

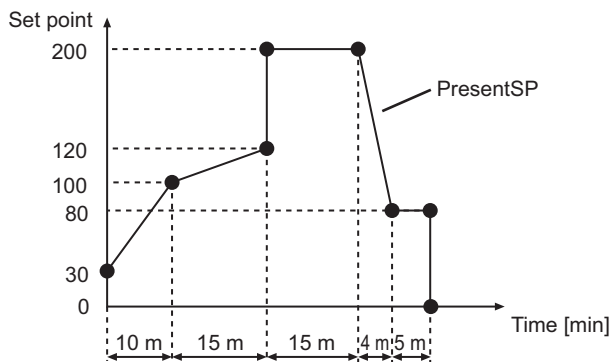
## Program Pattern

The program pattern divides the processing from the start to end of execution of the instruction into steps and chronologically gives the target set point and time width for each step.

The program pattern is expressed in the ProgramPattern[] array, which has elements with a data type of `_sAC_STEP_DATA`. Each element of ProgramPattern[] corresponds to one step.

An example of a program pattern is provided below. If the values of the *ReachSP* and *TimeWidth* elements of ProgramPattern[] are as given in the following table, the relation between the elapsed time since instruction execution and the set points is shown in the following figure.

	ProgramPattern[] element number							
	0	1	2	3	4	5	6	7
Step number	0	1	2	3	4	5	6	7
Value of <i>ReachSP</i>	30	100	120	200	200	80	80	0
Value of <i>TimeWidth</i>	T#0 s	T#10 m	T#15 m	T#0 s	T#15 m	T#4 m	T#5 m	T#0 s



Linear interpolation is performed for the set point for each step and the value of *PresentSP* is calculated for each point.

The solid line in the figure represents *PresentSP*. For each task period, the value of *PresentSP* at that point is output.

### ● Relation between the Value of *TimeWidth* and the Time Width of the Step

The following table shows the relation between the value of *TimeWidth* and the time width of the step.

Value of <i>TimeWidth</i>	Step number	Time width of the step
T#0 s	0	Treated as T#0 s.
	Not 0	Treated as one task period.
Positive	---	The value of <i>TimeWidth</i> is the time width of the step.
Negative	---	Treated as one task period.

### ● Operation for Step Time Width That Is Less Than One Task Period

The resolution of the step time width is one task period. The following table describes the operation for a step time width that is less than one task period.

Step number	Time width of the step	Operation
0	T#0 s	The value of <i>ReachSP</i> for step 0 is the initial value for <i>PresentSP</i> . Actual processing starts from step 1.
	Not T#0 s	Processing for the current step is executed for only one task period and then processing moves to the next step.
Not 0	---	

## Start Step Number *StartStepNo* and End Step Number *EndStepNo*

You can set any steps in the program pattern as the start step and the end step for processing. Set the number of the start step in *StartStepNo*, and the number of the end step in *EndStepNo*. For example, if you set *StartStepNo* to 3 and *EndStepNo* to 6 for the instruction, processing is performed from step 3 through step 6.

### ● Changing the Value of *StartStepNo* or *EndStepNo* during Instruction Execution

You can change the values of *StartStepNo* and *EndStepNo* during execution of the instruction. If the values are changed, the operation will be as follows:

Variable	New step number	Operation
<i>StartStepNo</i>	---	Processing will start from the beginning of the step specified by the new <i>StartStepNo</i> .
<i>EndStepNo</i>	Changing to a step number that is equal to or higher than the current step number	Progressing will end when the step specified by the new <i>EndStepNo</i> is completed.
	Changing to a step number that is lower than the current step number	Processing ends as soon as the end step number is changed. The value of <i>Done</i> changes to TRUE.

## Waiting

Due to delays in the controlled system, the value of *PV* may not reach the value of *ReachSP* within the time width specified in *TimeWidth* for the current step.

Waiting can be applied to continue the current step beyond the time width specified in *TimeWidth*.

The following variables in *ProgramPattern[]* are related to waiting: wait width *WaitWidth*, wait time upper limit *WaitTimeLimit*, and waiting *Wait*.

### ● Condition for Waiting

Waiting occurs if the difference between *ReachSP* and *PV* exceeds *WaitWidth* after the end time for the current step.

### ● End of Waiting

If the difference between *ReachSP* and *PV* becomes equal to or less than *WaitWidth* before *WaitTimeLimit* is reached after the start of waiting, waiting ends at the point of time and the process moves to the next step.

If the difference between *ReachSP* and *PV* does not become equal to or less than *WaitWidth* before *WaitTimeLimit* is reached after the start of waiting, waiting ends when the time set for *WaitTimeLimit* expires and the process moves to the next step. However, if the value of *WaitTimeLimit* is T#0, the

upper limit of the wait time is infinity. Therefore, waiting continues without a time limit until the difference between *ReachSP* and *PV* becomes less than or equal to *WaitWidth*.

### ● Monitoring Waiting

You can monitor waiting with the value of *Wait*.

During execution of waiting, the value of *Wait* is TRUE.

If the waiting is completed, the value of *Wait* changes to FALSE.

### ● Timing during Waiting

The operations of the time-related variables during waiting are described in the following table.

Name	Operation
ElapsedTime	Continues timing.
ProgressTime	Stops timing and retains the value from when waiting started. Starts timing again from the retained value when waiting ends.
LeftTime	
StepProgressTime	Goes to the value of <i>TimeWidth</i> for the current step and then retains that value.
StepLeftTime	Goes to 0 and then retains that value.

### ● PresentSP and PredictSP during Waiting

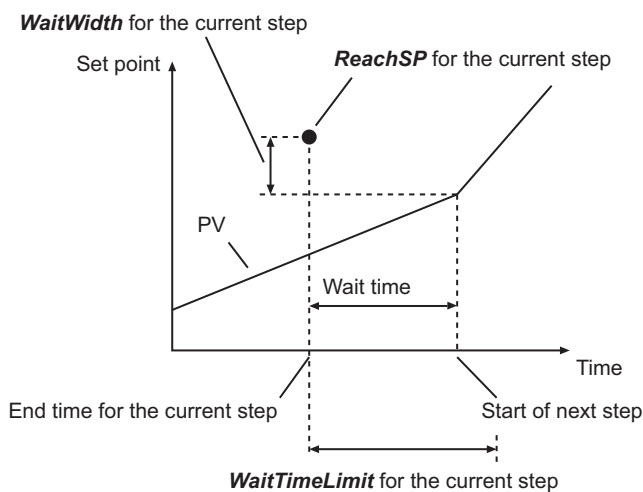
During waiting, both *PresentSP* and *PredictSP* retain the value of *ReachSP*.

### ● Example of Waiting

The following shows a graph of *PV* where the difference between *ReachSP* and *PV* becomes equal to or less than *WaitWidth* within the time set for *WaitTimeLimit*.

The difference between *ReachSP* and *PV* exceeds *WaitWidth* after the end time for the current step, so waiting occurs.

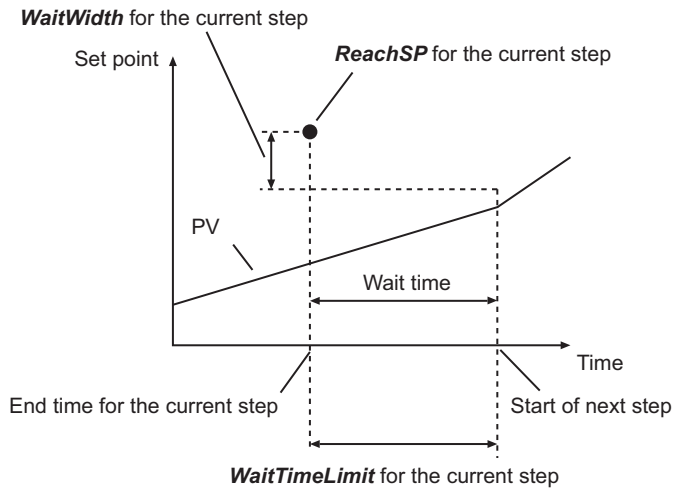
When the difference between *ReachSP* and *PV* becomes less than or equal to *WaitWidth*, the process moves to the next step.



The following shows a graph of *PV* where the difference between *ReachSP* and *PV* does not become equal to or less than *WaitWidth* within the time set for *WaitTimeLimit*.

The process moves to the next step after the time set for *WaitTimeLimit* expires.





## Holding

Processing for the current step is held unconditionally whenever the value *Hold* is TRUE. While processing is held, timing is stopped for all time-related variables.

Timing is started again for these time-related variables when the value of *Hold* changes to FALSE.

### ● Timing while Holding

The operations of the time-related variables while processing is held are described in the following table.

Name	Operation
ElapsedTime	Stops timing and retains the value from when holding started. Starts timing again from the retained value when holding ends.
ProgressTime	
LeftTime	
StepProgressTime	
StepLeftTime	

### ● PresentSP and PredictSP while Holding

While processing is held, *PresentSP* retains the value from when holding started.

While processing is held, *PredictSP* has the same value as *PresentSP*.

### ● Holding during Waiting

If you hold processing during waiting, waiting is ended. Therefore, the value of *Wait* changes to FALSE. When holding is ended, the conditions for waiting are judged again.

## Start at PV

You can start processing when the value of *PV* and the value of *PresentSP* are equal.

If the value of *StartAtPV* is TRUE when *Enable* changes to TRUE, the start at PV operation is used.

Processing is performed as follows for the start at PV operation.

- 1 The value of *PV* is obtained.

**2** A search is made from step 0 to the last step for the time when the value of *PV* first equals the value of *PresentSP*.

If the value of *PresentSP* increases from the start of step 0, the search is made until just before the value of *PresentSP* starts to decrease. In the same way, if the value of *PresentSP* decreases from the start of step 0, the search is made until just before the value of *PresentSP* starts to increase.

**3** Processing is started from the point that was found in the above search.

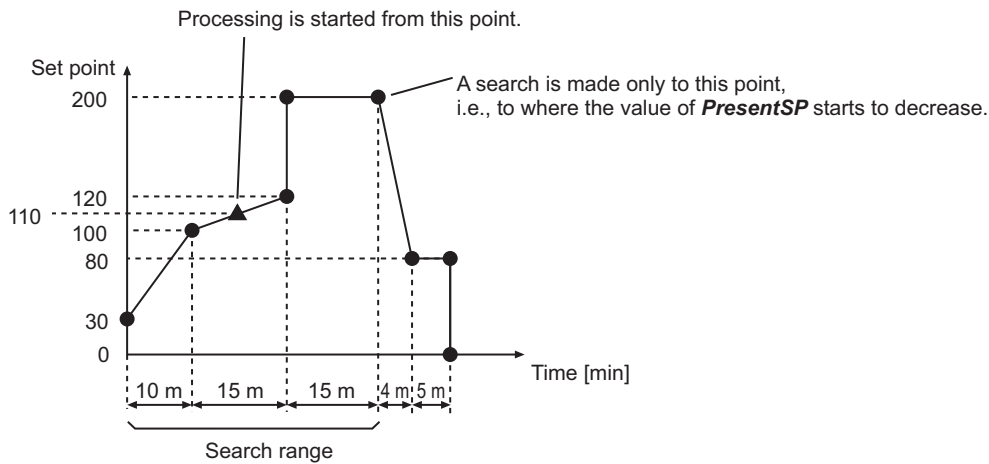
If there is no time in the search range where *PV* and *PresentSP* have the same value, processing is started from step 0.

An example of the start at PV operation is provided below. The following table gives the contents of `ProgramPattern[]`.

	ProgramPattern[] element number							
	0	1	2	3	4	5	6	7
Step number	0	1	2	3	4	5	6	7
Value of <i>ReachSP</i>	30	100	120	200	200	80	80	0
Value of <i>TimeWidth</i>	T#0 s	T#10 m	T#15 m	T#0 s	T#15 m	T#4 m	T#5 m	T#0 s

In this example, the value of *PresentSP* increases from the value for step 0. Therefore, a search is made only for 40 minutes after the start of processing, i.e., the point where the value of *PresentSP* starts to decrease.

Assume that the value of *PV* at the start of instruction execution is 110. In this case, processing starts as shown in the following figure where *PresentSP* equals 110.



● **Timing for Start at PV Operation**

The operations of the time-related variables for the start at PV operation are described in the following table.

Name	Operation
ElapsedTime	Contains 0.
ProgressTime	Gives the time from step 0 to the point that was found in the search.
LeftTime	Gives the time from the present to the end of <i>EndStepNo</i> .

Name	Operation
StepProgressTime	Gives the time from the beginning of the current step to the point that was found in the search.
StepLeftTime	Gives the time from the present until all processing is completed for the current step.

### ● Changing the Value of *StartAtPV* during Instruction Execution

Any changes to the value of *StartAtPV* during execution of the instruction are ignored.

## Advancing

If the value of *Advance* changes to TRUE during instruction execution, the process moves to the beginning of the next step.

### ● Timing for Advancing

The operations of the time-related variables when processing is advanced to the next step are described in the following table.

Name	Operation
ElapseTime	Continues timing.
ProgressTime	Gives the total of <i>TimeWidth</i> from step 0 until the current step.
LeftTime	Gives the time from the next step to the end of <i>EndStepNo</i> .
StepProgressTime	Contains 0 because processing moves to the start of the next step.
StepLeftTime	Gives the value of <i>TimeWidth</i> for the next step.

### ● Changing the Value of *StartStepNo* and Advancing Processing at the Same Time

If you change the values of *StartStepNo* and *Advance* to TRUE at the same time, changing the value of *StartStepNo* is given priority. Therefore, processing moves to the start of *StartStepNo*.

## Changing the Program Pattern during Instruction Execution

You can change the contents of *ProgramPattern[]* during execution of the instruction.

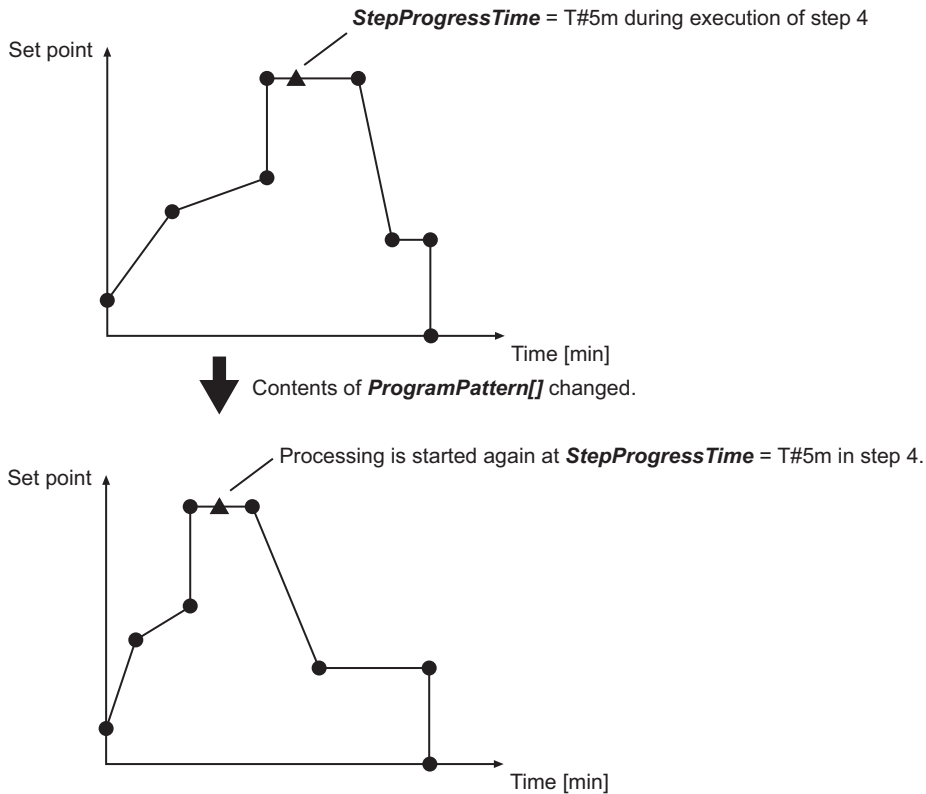
If you change the contents of *ProgramPattern[]*, the *PresentSP* is calculated again.

Processing is started again from the time in *StepProgressTime* at the step that was in execution before the program pattern was changed.

You can also change the contents of previous steps.

For example, assume that the contents of *ProgramPattern[]* are changed during execution of step 4.

Also assume that the previous value of *StepProgressTime* was T#5 m. After you change the program pattern, processing will start again at a value of T#5 m for *StepProgressTime* in step 4.



If the value of *TimeWidth* for the step is smaller than the value of *StepProgressTime*, processing is started again from the start of the next step.

● **Timing for Changes in the Program Pattern during Instruction Execution**

The operations of the time-related variables when the program pattern is changed during instruction execution are described in the following table.

Name	Operation
ProgramTime	Gives the total of <i>TimeWidth</i> from step 0 to <i>EndStepNo</i> after the change.
ElapsedTime	Continues timing.
ProgressTime	Gives the total of <i>StepProgressTime</i> and the total of <i>TimeWidth</i> from step 0 to one step before the current step after the change.
LeftTime	Gives the time from the present to the end of <i>EndStepNo</i> after the change.
StepProgressTime	Timing continues from the value before the change.
StepLeftTime	Gives the time from the present in the current step until all processing is completed for the current step after the change.

● **Changing the Program Pattern during Waiting**

If you change the program pattern during waiting, waiting judgement is performed again for the recalculated *PresentSP*.

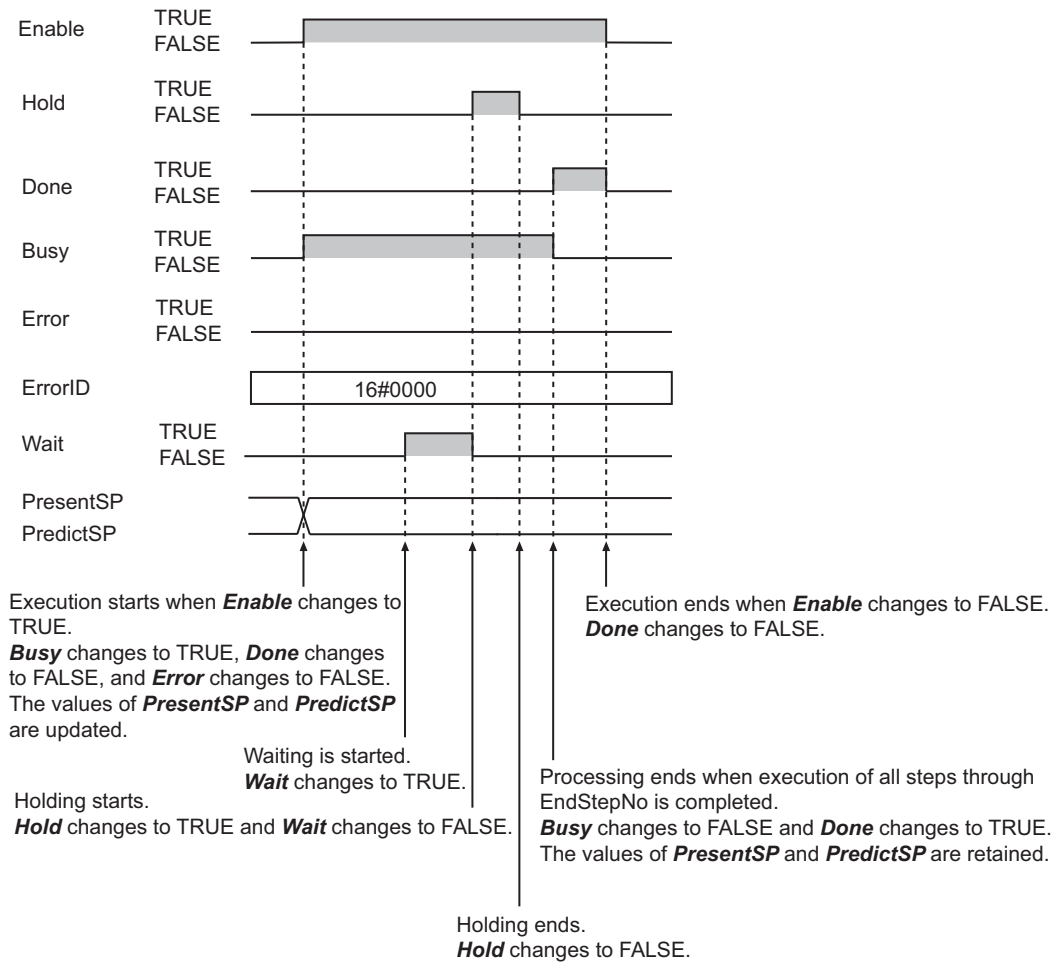
However, if the value of *StepProgressTime* is larger than the value of *WaitTimeLimit* after the change, waiting is ended immediately and processing moves to the next step.

● **Changing the Program Pattern during Holding**

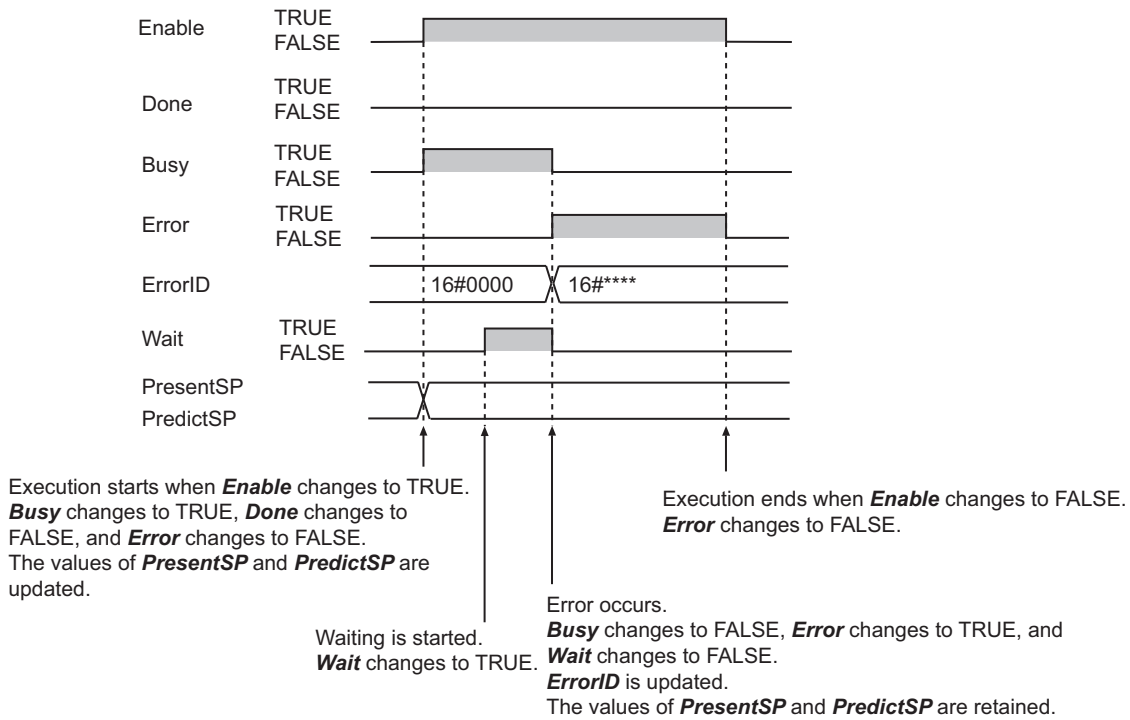
If you change the program pattern during holding, holding continues for the recalculated *PresentSP*.

## Timing Charts

The following figure shows a timing chart for normal operation.



The following figure shows a timing chart for when an error occurs.



### Precautions for Correct Use

An error will occur in the following cases. **Error** will change to TRUE, and an error code is assigned to **ErrorID**.

Error	Value of <b>ErrorID</b>
The value of <i>IntegrationTime</i> , <i>Alpha</i> , <i>StartStepNo</i> , or <i>EndStepNo</i> is outside the valid range.	16#0400
The final element number in the <i>ProgramPattern[]</i> array exceeds 255*1.	16#0416

\*1. The final element number is 99 for NX701, NX1P2, and NJ-series CPU Units with unit version 1.20 or earlier, and NX102 CPU Units with unit version 1.31 or earlier.

### Sample Programming

This sample performs temperature control with the optimum PID parameters for each step in the *AC\_StepProgram* instruction.

## Processing

This sample performs the following two processes.

- It calculates the optimum PID parameters for each step.
- It controls temperature according to the program pattern.

Both of these processes are described below.

#### ● Calculating Optimum PID Parameters for Each Step

Before temperature is controlled according to the program pattern, the optimum PID parameters for each step must be calculated. Autotuning with the *PIDAT* instruction is used to calculate the PID parameters.

The calculated PID parameters are stored in the `PIDbank[]` array of structures with the step numbers used as the array subscripts. The members of the elements of `PIDbank[]` give the proportional bands, integration times, and derivative times.

The processing procedure is as follows:

- 1** The user changes the value of `ACSP_Enable` to the `AC_StepProgram` instruction to `TRUE`. The `AC_StepProgram` instruction is executed and the value of present step number `StepNo` changes to 0.
- 2** The user changes the value of execution condition `Run` to the `PIDAT` instruction to `TRUE`. The `PIDAT` instruction is executed.
- 3** The user changes the value of autotuning execution condition `StartAT` to `TRUE`. The value of `Hold` to the `AC_StepProgram` instruction changes to `TRUE` and holding is performed. Autotuning for the `PIDAT` instruction is executed and the optimum PID parameters are calculated for step 0.
- 4** Autotuning is completed. The value of autotuning normal completion `ATDone` from the `PIDAT` instruction changes to `TRUE`. The calculated PID parameters are stored in `PIDbank[0]`.
- 5** The user changes the value of `Hold` to the `AC_StepProgram` instruction to `FALSE`. Holding for the `AC_StepProgram` instruction is canceled. After a while, processing moves to the next step and the value of `StepNo` changes to 1.
- 6** The user repeats steps 3 to 5 for each step number. The optimum PID parameters for all steps are stored in `PIDbank[]`.

### ● Controlling Temperature According to the Program Pattern

The optimum PID parameters for each step are used to control temperature according to the program pattern.

The processing procedure is as follows:

- 1** The user changes the value of `ACSP_Enable` to the `AC_StepProgram` instruction to `TRUE`. The `AC_StepProgram` instruction is executed and the value of step number `StepNo` changes to 0.
- 2** The user changes the value of execution condition `Run` to the `PIDAT` instruction to `TRUE`. The `PIDAT` instruction is executed.
- 3** For each task period, manipulated value `MV` from the `PIDAT` instruction is output.
- 4** The `TimeProportionalOut` instruction performs time-proportional output according to the value of `MV`.
- 5** After a while, processing moves to the next step.

- 6** Steps 3 to 5 are repeated through the end step.

## Setup with the Sysmac Studio

To use the sample programming, you must use the Sysmac Studio to set the network configuration, I/O map, and data type definitions.

### ● Network Settings

The configuration of the network is given in the following table. A Slave Terminal with the following configuration is connected at EtherCAT node address 1. The device names that are given in the following table are used.

Unit number	Model number	Unit	Device name
0	NX-ECC201	EtherCAT Coupler Unit	E001
1	NX-TS2101	Temperature Input Unit	N1
2	NX-OD3121	Digital Output Unit	N2

### ● I/O Map

The following I/O map settings are used.

Position	Port	Description	R/W	Data type	Variable	Variable type
Unit1	Ch1 Measured Value REAL*1	Channel measured value (REAL)	R	REAL	N1_Ch1_Measured_Value_REAL	Global variable
Unit1	Ch2 Measured Value REAL*2	Channel measured value (REAL)	R	REAL	N1_Ch2_Measured_Value_REAL	Global variable
Unit2	Output Bit 00	Output bit 00	W	BOOL	N2_Output_Bit_00	Global variable
Unit2	Output Bit 01	Output bit 01	W	BOOL	N2_Output_Bit_01	Global variable
Unit2	Output Bit 02	Output bit 02	W	BOOL	N2_Output_Bit_02	Global variable
Unit2	Output Bit 03	Output bit 03	W	BOOL	N2_Output_Bit_03	Global variable

\*1. You must add 0x6003:01 (Ch1 Measured Value REAL) to the I/O entries for the NX-TS2101 Temperature Input Unit.

\*2. You must add 0x6003:02 (Ch2 Measured Value REAL) to the I/O entries for the NX-TS2101 Temperature Input Unit.

### ● Data Type Definitions

The structure sPID\_BANK is defined as shown in the following table.

Structure	Name	Data type	Comment
▼	sPID_BANK	STRUCT	PID parameter structure
	PB	REAL	Proportional band
	TI	TIME	Integration time
	TD	TIME	Derivative time



## LD

Internal Variables	Variable	Data type	Initial value	Comment
	ACSP_Enable	BOOL	FALSE	Enable for AC_StepProgram
	Hold	BOOL	FALSE	Hold
	Advance	BOOL	FALSE	Advance
	Option	_sAC_STEP_OPTION	(StartAtPV:=FALSE, StartStepNo:=0, EndStepNo:=7, Re-served:=[32(16#0)])	Option
	ProgramPattern	ARRAY[0..7] OF _sAC_STEP_DATA	<p>[(ReachSP:=30.0, Time-Width:=T#0 s, Wait-Width:=3.0, WaitTimeLimit:=T#1 m),</p> <p>(ReachSP:=100.0, Time-Width:=T#10 m, Wait-Width:=3.0, WaitTimeLimit:=T#1 m),</p> <p>(ReachSP:=120.0, Time-Width:=T#15 m, Wait-Width:=3.0, WaitTimeLimit:=T#1 m),</p> <p>(ReachSP:=150.0, Time-Width:=T#0 s, Wait-Width:=3.0, WaitTimeLimit:=T#1 m),</p> <p>(ReachSP:=150.0, Time-Width:=T#15 m, Wait-Width:=3.0, WaitTimeLimit:=T#1 m),</p> <p>(ReachSP:=80.0, Time-Width:=T#4 m, Wait-Width:=3.0, WaitTimeLimit:=T#1 m),</p> <p>(ReachSP:=80.0, Time-Width:=T#5 m, Wait-Width:=3.0, WaitTimeLimit:=T#1 m),</p> <p>(ReachSP:=10.0, Time-Width:=T#0 s, Wait-Width:=3.0, WaitTimeLimit:=T#1 m)]</p>	Program pattern
	ACSP_Busy	BOOL	FALSE	Execution of AC_StepProgram in progress
	ACSP_Error	BOOL	FALSE	AC_StepProgram error

Internal Variables	Variable	Data type	Initial value	Comment
	ACSP_ErrorID	WORD	WORD#16#0	AC_StepProgram error code
	Wait	BOOL	FALSE	Waiting
	StepNo	USINT	0	Present step number
	PresentSP	REAL	0.0	Present set point
	PredictSP	REAL	0.0	Predicted set point
	TimeInfo	_sAC_STEP_TIME	(ProgramTime:=T#0 s, ElapseTime:=T#0 s, ProgressTime:=T#0 s, LeftTime:=T#0 s, StepProgressTime:=T#0 s, StepLeftTime:=T#0 s)	Clock information
	ACSP_Done	BOOL	FALSE	AC_StepProgram completion
	Run	BOOL	FALSE	PIDAT instruction execution condition
	ManCtl	BOOL	FALSE	Manual/auto control
	StartAT	BOOL	FALSE	Autotuning execution condition
	OprSetParams	_sOPR_SET_PARAMS	(MVLowLmt:=0.0, MVUpLmt:=100.0, ManResetVal:=0.0, MVTrackSw:=FALSE, MVTrackVal:=0.0, StopMV:=0.0, ErrorMV:=0.0, Alpha:=0.65, ATCalcGain:=1.0, ATHystrs:=0.2)	Operation setting parameters
	InitSetParams	_sINIT_SET_PARAMS	(SampTime:=T#250 ms, RngLowLmt:=-200.0, RngUpLmt:=1300.0, DirOpr:=FALSE)	Initial setting parameters
	ManMV	REAL	0.0	Manual manipulated variable
	ATBusy	BOOL	FALSE	Autotuning busy
	PID_ErrorID	WORD	WORD#16#0	PIDAT error code
	PID_Error	BOOL	FALSE	PIDAT error
	MV	REAL	0.0	Manipulated variable
	ATDone	BOOL	FALSE	Autotuning normal completion
	TPO_Error	BOOL	FALSE	TimeProportional-Out error
	PIDbank	ARRAY[0..7] OF sPID_BANK	[8((PB:=10, TI:=T#233 s, TD:=T#60 s))]	Storage array for optimum PID parameters
	ACSP	AC_StepProgram		
	PID	PIDAT		

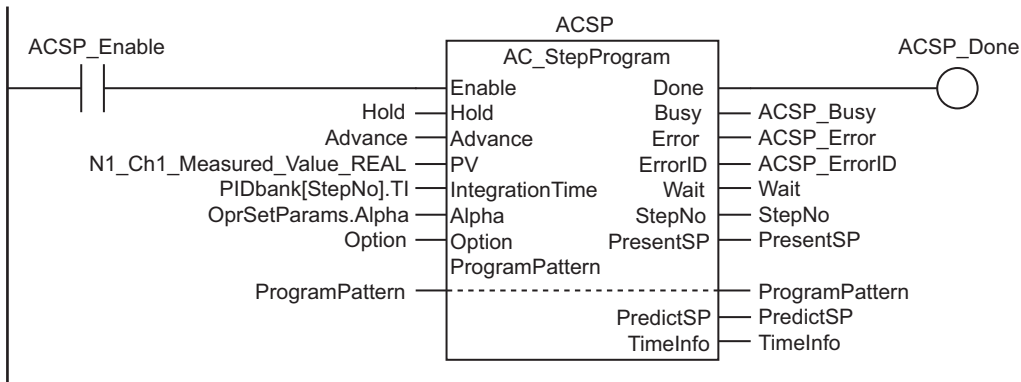
Internal Variables	Variable	Data type	Initial value	Comment
	TPO	TimeProportional-Out		

External Variables	Variable	Data type	Constant	Comment
	N1_Ch1_Measured_Value_REAL	REAL	□	Channel measured value (REAL)
	N2_Output_Bit_00	BOOL	□	Output bit

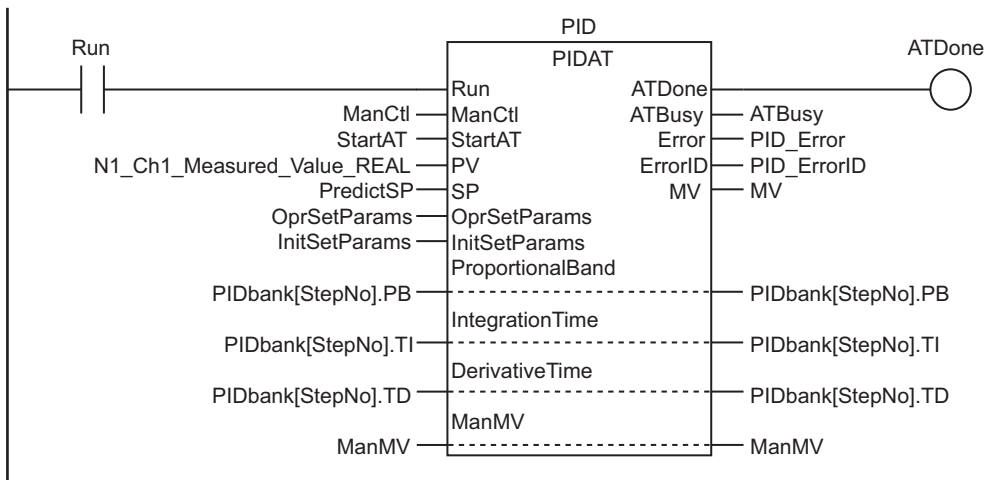
Perform holding for AC\_StepProgram instruction during autotuning.



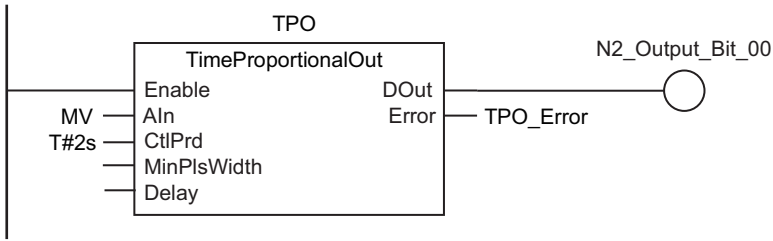
Execute AC\_StepProgram instruction.



Execute PIDAT instruction.



Execute TimeProportionalOut instruction.



**ST**

Internal Variables	Variable	Data type	Initial value	Comment
	ACSP_Enable	BOOL	FALSE	Enable for AC_StepProgram
	Hold	BOOL	FALSE	Hold
	Advance	BOOL	FALSE	Advance
	Option	_sAC_STEP_OPTION	(StartAtPV:=FALSE, StartStepNo:=0, EndStepNo:=7, Reserved:=[32(16#0)])	Option

Internal Variables	Variable	Data type	Initial value	Comment
	ProgramPattern	ARRAY[0..7] OF _sAC_STEP_DATA	[(ReachSP:=30.0, Time-Width:=T#0 s, Wait-Width:=3.0, WaitTimeLimit:=T#1 m), (ReachSP:=100.0, Time-Width:=T#10 m, Wait-Width:=3.0, WaitTimeLimit:=T#1 m), (ReachSP:=120.0, Time-Width:=T#15 m, Wait-Width:=3.0, WaitTimeLimit:=T#1 m), (ReachSP:=150.0, Time-Width:=T#0 s, Wait-Width:=3.0, WaitTimeLimit:=T#1 m), (ReachSP:=150.0, Time-Width:=T#15 m, Wait-Width:=3.0, WaitTimeLimit:=T#1 m), (ReachSP:=80.0, Time-Width:=T#4 m, Wait-Width:=3.0, WaitTimeLimit:=T#1 m), (ReachSP:=80.0, Time-Width:=T#5 m, Wait-Width:=3.0, WaitTimeLimit:=T#1 m), (ReachSP:=10.0, Time-Width:=T#0 s, Wait-Width:=3.0, WaitTimeLimit:=T#1 m)]	Program pattern
	ACSP_Busy	BOOL	FALSE	Execution of AC_StepProgram in progress
	ACSP_Error	BOOL	FALSE	AC_StepProgram error
	ACSP_ErrorID	WORD	WORD#16#0	AC_StepProgram error code
	Wait	BOOL	FALSE	Waiting
	StepNo	USINT	0	Present step number
	PresentSP	REAL	0.0	Present set point
	PredictSP	REAL	0.0	Predicted set point

Internal Variables	Variable	Data type	Initial value	Comment
	TimeInfo	_sAC_STEP_TIME	(ProgramTime:=T#0 s, ElapseTime:=T#0 s, ProgressTime:=T#0 s, LeftTime:=T#0 s, StepProgressTime:=T#0 s, StepLeftTime:=T#0 s)	Clock information
	ACSP_Done	BOOL	FALSE	AC_StepProgram completion
	Run	BOOL	FALSE	PIDAT instruction execution condition
	ManCtl	BOOL	FALSE	Manual/auto control
	StartAT	BOOL	FALSE	Autotuning execution condition
	PreStartAT	BOOL	TRUE	Autotuning execution condition for previous task period
	OprSetParams	_sOPR_SET_PARAMS	(MVLowLmt:=0.0, MVUpLmt:=100.0, ManResetVal:=0.0, MVTrackSw:=FALSE, MVTrackVal:=0.0, StopMV:=0.0, ErrorMV:=0.0, Alpha:=0.65, ATCalcGain:=1.0, ATHystrs:=0.2)	Operation setting parameters
	InitSetParams	_sINIT_SET_PARAMS	(SampTime:=T#250 ms, RngLowLmt:=-200.0, RngUpLmt:=1300.0, DirOpr:=FALSE)	Initial setting parameters
	ManMV	REAL	0.0	Manual manipulated variable
	ATBusy	BOOL	FALSE	Autotuning busy
	PID_ErrorID	WORD	WORD#16#0	PIDAT error code
	PID_Error	BOOL	FALSE	PIDAT error
	MV	REAL	0.0	Manipulated variable
	ATDone	BOOL	FALSE	Autotuning normal completion
	TPO_Error	BOOL	FALSE	TimeProportional-Out error
	PIDbank	ARRAY[0..7] OF sPID_BANK	[8((PB:=10, TI:=T#233 s, TD:=T#60 s))]	Storage array for optimum PID parameters
	TPO_Enable	BOOL	FALSE	Enable for TimeProportionalOut
	MinPlsWidth	REAL	0.0	Minimum pulse width
	Delay	REAL	0.0	Delay
	ACSP	AC_StepProgram		

Internal Variables	Variable	Data type	Initial value	Comment
	PID	PIDAT		
	TPO	TimeProportional-Out		

External Variables	Variable	Data type	Constant	Comment
	N1_Ch1_Measured_Value_REAL	REAL	☐	Channel measured value (REAL)
	N2_Output_Bit_00	BOOL	☐	Output bit

```

TPO_Enable := TRUE;

// Perform holding for AC_StepProgram instruction during autotuning.
IF StartAT AND PreStartAT=FALSE THEN
    Hold := TRUE;
END_IF;
PreStartAT := StartAT;

// Execute AC_StepProgram instruction.
IF ACSP_Enable THEN
    ACSP(Enable :=ACSP_Enable,
        Hold :=Hold,
        Advance :=Advance,
        PV :=N1_Ch1_Measured_Value_REAL,
        IntegrationTime:=PIDbank[StepNo].TI,
        Alpha :=OprSetParams.Alpha,
        Option :=Option,
        ProgramPattern :=ProgramPattern,
        Done =>ACSP_Done,
        Busy =>ACSP_Busy,
        Error =>ACSP_Error,
        ErrorID =>ACSP_ErrorID,
        Wait =>Wait,
        StepNo =>StepNo,
        PresentSP =>PresentSP,
        PredictSP =>PredictSP,
        TimeInfo =>TimeInfo);
END_IF;

// Execute PIDAT instruction.
IF Run THEN
    PID(Run :=Run,
        ManCtl :=ManCtl,

```

```
StartAT :=StartAT,  
PV :=N1_Ch1_Measured_Value_REAL,  
SP :=PredictSP,  
OprSetParams :=OprSetParams,  
InitSetParams :=InitSetParams,  
ProportionalBand:=PIDbank[StepNo].PB,  
IntegrationTime :=PIDbank[StepNo].TI,  
DerivativeTime :=PIDbank[StepNo].TD,  
ManMV :=ManMV,  
ATDone =>ATDone,  
ATBusy =>ATBusy,  
Error =>PID_Error,  
ErrorID =>PID_ErrorID,  
MV=>MV);  
END_IF;  
  
// Execute TimeProportionalOut instruction.  
TPO(Enable :=TPO_Enable,  
AIn :=MV,  
CtlPrd :=T#2s,  
MinPlsWidth:=MinPlsWidth,  
Delay :=Delay,  
DOut =>N2_Output_Bit_00,  
Error =>TPO_Error);
```



# System Control Instructions

Instruction	Name	Page
TraceSamp	Data Trace Sampling	page 2-865
TraceTrig	Data Trace Trigger	page 2-869
GetTraceStatus	Read Data Trace Status	page 2-872
SetAlarm	Create User-defined Error	page 2-875
ResetAlarm	Reset User-defined Error	page 2-880
GetAlarm	Get User-defined Error Status	page 2-882
ResetPLCError	Reset PLC Controller Error	page 2-884
GetPLCError	Get PLC Controller Error Status	page 2-888
ResetCJBError	Reset CJ Bus Controller Error	page 2-890
GetCJBError	Get I/O Bus Error Status	page 2-892
GetEIPError	Get EtherNet/IP Error Status	page 2-894
ResetMCErr	Reset Motion Control Error	page 2-896
GetMCErr	Get Motion Control Error Status	page 2-902
ResetECErr	Reset EtherCAT Error	page 2-904
GetECErr	Get EtherCAT Error Status	page 2-906
ResetNXBError	Reset NX Bus Error	page 2-909
GetNXBError	Get NX Bus Error Status	page 2-911
GetNXUnitError	Get NX Unit Error Status	page 2-913
ResetXBUnitError	Reset X Bus Unit Error	page 2-920
GetXBError	Get X Bus Error Status	page 2-922
GetXBUnitError	Get X Bus Unit Error Status	page 2-924

<b>Instruction</b>	<b>Name</b>	<b>Page</b>
SetInfo	Create User-defined Information	page 2-927
ResetUnit	Restart Unit	page 2-929
GetNTPStatus	Read NTP Status	page 2-934
RestartNXUnit	Restart NX Unit	page 2-936
NX_ChangeWriteMode	Change to NX Unit Write Mode	page 2-942
NX_SaveParam	Save NX Unit Parameters	page 2-948
PLC_ReadTotalPowerOnTime	Read PLC Total Power ON Time	page 2-954
NX_ReadTotalPowerOnTime	Read NX Unit Total Power ON Time	page 2-957
XBUnit_ReadTotalPowerOnTime	Read X Bus Unit Total Power ON Time	page 2-965
APB_ChangeSamplingSettings	Change Sampling Settings	page 2-967

# TraceSamp

The TraceSamp instruction performs sampling for a data trace.

Instruction	Name	FB/ FUN	Graphic expression	ST expression
TraceSamp	Data Trace Sampling	FUN		TraceSamp(TraceNo, Point);

## Variables

	Meaning	I/O	Description	Valid range	Unit	Default
TraceNo	Trace number	Input	Trace number	0 to 3 <sup>*1</sup>	---	0
Point	Sampling point number		Sampling point number	Depends on data type.		
Out	Return value	Output	Always TRUE	TRUE only	---	---

\*1. The range is 0 to 1 for NX102, NX1P2, NJ301 and NJ101 CPU Units.

	Boo lean	Bit strings				Integers							Real num- bers		Times, durations, dates, and text strings					
	BOOL	BYTE	WORD	DWORD	LWORD	USINT	UINT	UDINT	ULINT	SINT	INT	DINT	LINT	REAL	LREAL	TIME	DATE	TOD	DT	STRING
TraceNo						OK														
Point						OK														
Out	OK																			

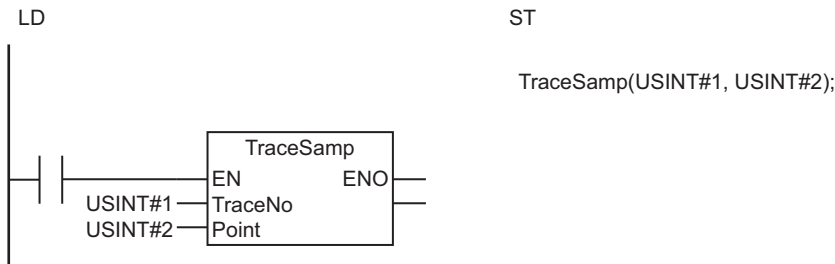
## Function

The TraceSamp instruction performs sampling for a data trace.

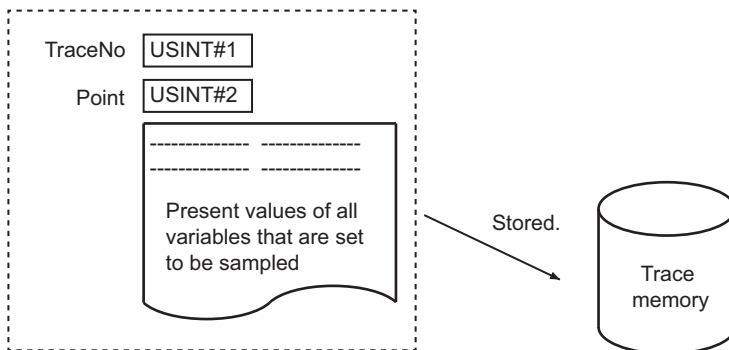
The sampling settings are specified from the Sysmac Studio. The present values for all variables that are set to be sampled are read and stored with trace number *TraceNo* and sampling point number *Point* in trace memory.

This instruction is executed only during execution of data tracing and only when the sampling timing is set to **Use sampling instruction** from the Sysmac Studio.

The following figure shows a programming example. Trace number 1 and sampling point number 2 are attached, and the present values of all variables to be sampled are stored in trace memory.



The present values for all variables that are set to be sampled are read and stored with trace number **TraceNo** and sampling point number **Point** in trace memory.



### Related System-defined Variables

Name	Meaning	Data type	Description
<code>_PLC_TraceSta[0..3]</code> <sup>*1</sup>	Trace Information	<code>_sTRACE_STA[]</code>	Trace information <sup>*2</sup>

\*1. NX102, NX1P2, NJ301 or NJ101 CPU Unit: The variable name is `_PLC_TraceSta[0..1]`.

\*2. Refer to the *NJ/NX-series CPU Unit Software User's Manual (Cat. No. W501)* for details.

### Additional Information

- Refer to the *NJ/NX-series CPU Unit Software User's Manual (Cat. No. W501)* for details on data tracing.
- Tracing is used to sample the values of specified variables under specified conditions. The conditions are specified from the Sysmac Studio.
- This instruction can be located in more than one place in the user program. Programming can be written to sample according to specific conditions.
- *Point* can be suitably set so that you can see which sampled values on the Data Trace Window in the Sysmac Studio were returned by which TraceSamp instruction. *Point* will default to 0 if it is omitted.

### Precautions for Correct Use

- Return value *Out* is not used when the instruction is used in ST.
- In the following cases, nothing is done and the instruction ends normally.
  - a) Data tracing is stopped.
  - b) The sampling timing is not set to **Use sampling instruction** in the trace settings.
  - c) The value of *TraceNo* is not the trace number set from the Sysmac Studio.
- An error occurs in the following case. *ENO* will be FALSE.

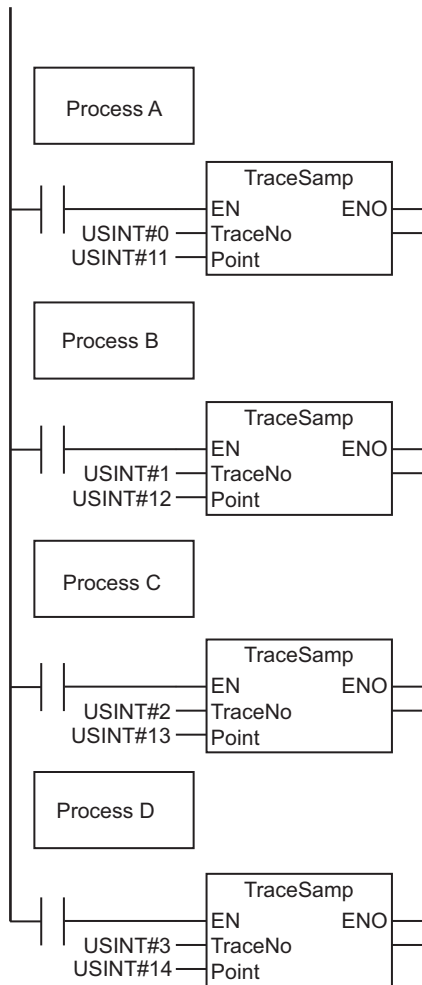
- a) The value of *TraceNo* is outside of the valid range.

## Sample Programming

Here, sampling is performed at the end of each process A to D.

The values of the variables are stored at each point.

### LD



### ST

---

Process A

TraceSamp(USINT#0, USINT#11);

Process B

TraceSamp(USINT#1, USINT#12);

Process C

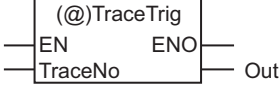
TraceSamp(USINT#2, USINT#13);

Process D

TraceSamp(USINT#3, USINT#14);

# TraceTrig

The TraceTrig instruction generates a trigger for data tracing.

Instruction	Name	FB/ FUN	Graphic expression	ST expression
TraceTrig	Data Trace Trigger	FUN		TraceTrig(TraceNo);

## Variables

	Meaning	I/O	Description	Valid range	Unit	Default
TraceNo	Trace number	Input	Trace number	0 to 3 <sup>*1</sup>	---	0
Out	Return value	Output	Always TRUE	TRUE only	---	---

\*1. The range is 0 to 1 for NX102, NX1P2, NJ301 and NJ101 CPU Units.

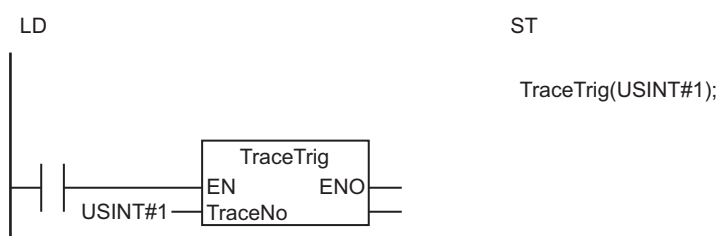
	Boo lean	Bit strings					Integers							Real num- bers		Times, durations, dates, and text strings				
	BOOL	BYTE	WORD	DWORD	LWORD	USINT	UINT	UDINT	ULINT	SINT	INT	DINT	LINT	REAL	LREAL	TIME	DATE	TOD	DT	STRING
TraceNo						OK														
Out	OK																			

## Function

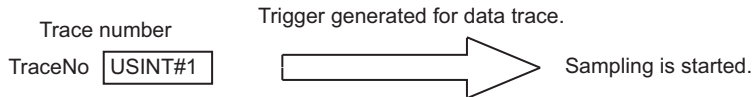
The TraceTrig instruction generates a trigger for data tracing.

It does not matter whether the trigger conditions that were set from the Sysmac Studio have been met. Sampling starts if data tracing is in progress for trace number *TraceNo* when the instruction is executed.

The following figure shows a programming example. Here, a data trace trigger is generated for trace number 1.



Here, a data trace trigger is generated for trace number *TraceNo*.



### Related System-defined Variables

Name	Meaning	Data type	Description
<code>_PLC_TraceSta[0..3]</code> <sup>*1</sup>	Trace Information	<code>_sTRACE_STA[]</code>	Trace information <sup>*2</sup>

\*1. NX102, NX1P2, NJ301 or NJ101 CPU Unit: The variable name is `_PLC_TraceSta[0..1]`.

\*2. Refer to the *NJ/NX-series CPU Unit Software User's Manual (Cat. No. W501)* for details.

### Additional Information

- Refer to the *NJ/NX-series CPU Unit Software User's Manual (Cat. No. W501)* for details on data tracing.
- This instruction can be located in more than one place in the user program. Programming can be written to generate a trigger according to specific conditions.
- Programming can be written to generate triggers in ways that are not possible for normal trigger conditions settings, such as programming to generate a trigger based on a comparison of two variables.

### Precautions for Correct Use

- Return value *Out* is not used when this instruction is used in ST.
- In the following cases, nothing is done and the instruction ends normally.
  - a) Data tracing is stopped.
  - b) The trigger condition has already been met.
  - c) The value of *TraceNo* is not the trace number set from the Sysmac Studio.
  - d) **A continuous trace** is specified as the trace type for the trace number that is specified with *TraceNo*.
- An error will occur in the following case. *ENO* will be FALSE.
  - a) The value of *TraceNo* is outside the valid range.

### Sample Programming

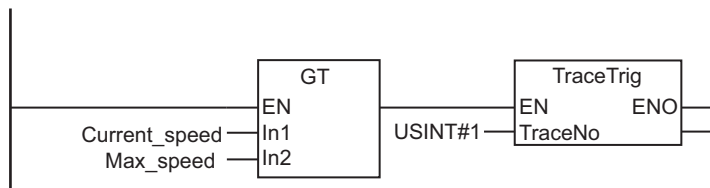
Here, a data trace trigger is generated to store the values of variables when the current speed exceeds the maximum speed.

The TraceTrig instruction is executed when the value of *Current\_speed* exceeds the value of *Max\_speed*.

#### LD

Variable	Data type	Initial value	Comment
<code>Current_speed</code>	INT	0	Current speed
<code>Max_speed</code>	INT	20	Maximum speed





## ST

Variable	Data type	Initial value	Comment
Current_speed	INT	0	Current speed
Max_speed	INT	20	Maximum speed

```

IF (Current_speed > Max_speed) THEN
  TraceTrig(USINT#1);
END_IF;
  
```

# GetTraceStatus

The GetTraceStatus instruction reads the execution status of a data trace.

Instruction	Name	FB/ FUN	Graphic expression	ST expression
GetTraceStatus	Read Data Trace Status	FUN		GetTraceStatus(TraceNo, IsStart, IsComplete, ParamErr, IsTrigger);

## Variables

	Meaning	I/O	Description	Valid range	Unit	Default
TraceNo	Trace number	Input	Trace number	0 to 3 <sup>1</sup>	---	0
Out	Return value	Output	Always TRUE	TRUE only	---	---
IsStart	Executing flag		TRUE: Data trace in progress. FALSE: Data trace not in progress.	Depends on data type.		
IsComplete	Completed flag		TRUE: Data trace was completed. FALSE: Data trace in progress or not executed.			
ParamErr	Parameter error flag		TRUE: Data trace setting error. FALSE: No data trace setting error.			
IsTrigger	Trigger flag	TRUE: Data trace trigger condition met. FALSE: Data trace trigger condition not met.				

\*1. The range is 0 to 1 for NX102, NX1P2, NJ301 and NJ101 CPU Units.

	Boo lean	Bit strings				Integers							Real numbers		Times, durations, dates, and text strings					
	BOOL	BYTE	WORD	DWORD	LWORD	USINT	UINT	UDINT	ULINT	SINT	INT	DINT	LINT	REAL	LREAL	TIME	DATE	TOD	DT	STRING
TraceNo						OK														
Out	OK																			
IsStart	OK																			
IsComplete	OK																			
ParamErr	OK																			
IsTrigger	OK																			

## Function

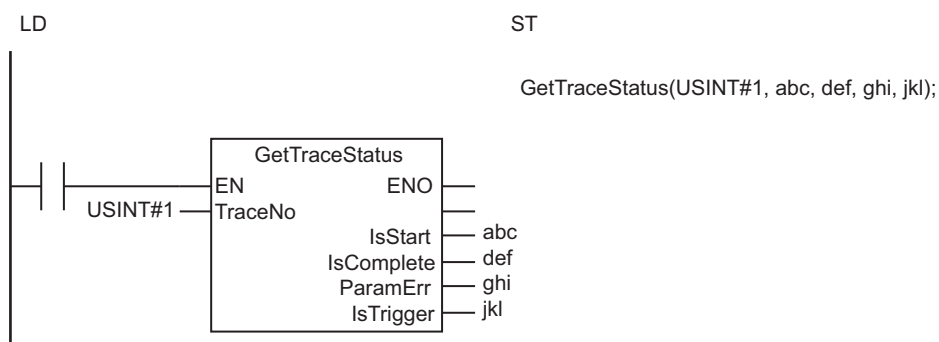
The GetTraceStatus instruction reads the execution status of the data trace that is specified with trace number *TraceNo*.

The status that is read is output to execution flag *IsStart*, completed flag *IsComplete*, parameter error flag *ParamErr*, and trigger flag *IsTrigger*.

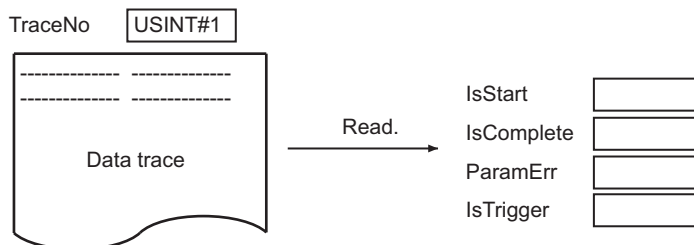
The value of *ParamErr* changes to TRUE when one of the following errors is found in the trace settings.

- A variable that is specified in the trigger or sampling settings does not exist.
- Sampling is set to be performed on a **specified task period**, but the specified task does not exist.

The following figure shows a programming example. The GetTraceStatus instruction reads the execution status of the data trace with trace number 1.



The GetTraceStatus instruction reads the execution status of the data trace that is specified with trace number *TraceNo*.



## Related System-defined Variables

Name	Meaning	Data type	Description
<code>_PLC_TraceSta[0..3]</code> <sup>*1</sup>	Trace Information	<code>_sTRACE_STA[]</code>	Trace information <sup>*2</sup>

\*1. NX102, NX1P2, NJ301 or NJ101 CPU Unit: The variable name is `_PLC_TraceSta[0..1]`.

\*2. Refer to the *NJ/NX-series CPU Unit Software User's Manual (Cat. No. W501)* for details.

## Additional Information

Refer to the *NJ/NX-series CPU Unit Software User's Manual (Cat. No. W501)* for details on data tracing.

## Precautions for Correct Use

- Return value *Out* is not used when this instruction is used in ST.

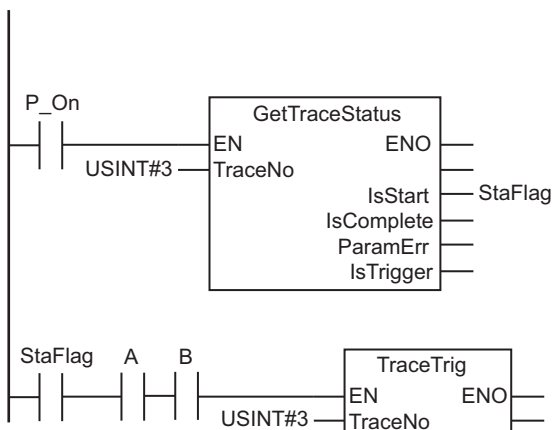
- This instruction reads the contents of the `_PLC_TraceSta[]` system-defined variable. You cannot access this variable directly. Always use this instruction to read the contents of the variable.
- An error will occur in the following case. *ENO* will be FALSE.
  - a) The value of *TraceNo* is outside the valid range.

## Sample Programming

In this sample, the `GetTraceStatus` instruction reads the execution status of the data trace with trace number 3. If the data trace is in progress, the `TraceTrig` instruction is executed to trigger data tracing.

### LD

Variable	Data type	Initial value	Comment
StaFlag	BOOL	FALSE	Trace execution status
A	BOOL	FALSE	
B	BOOL	FALSE	



### ST

Variable	Data type	Initial value	Comment
StaFlag	BOOL	FALSE	Trace execution status
A	BOOL	FALSE	
B	BOOL	FALSE	

```

GetTraceStatus(TraceNo:=USINT#3, IsStart=>StaFlag);
IF ( (StaFlag=TRUE) AND (A=TRUE) AND (B=TRUE) ) THEN
  TraceTrig(TraceNo:=USINT#3);
END_IF;

```

# SetAlarm

The SetAlarm instruction creates a user-defined error.

Instruction	Name	FB/ FUN	Graphic expression	ST expression
SetAlarm	Create User-defined Error	FUN		SetAlarm(Code, Info1, Info2);

## Variables

	Meaning	I/O	Description	Valid range	Unit	Default
Code	Event code	Input	Event code of user-defined error to generate	1 to 40000	---	1
Info1	Attached information 1		Values recorded in event log when the user-defined error is generated	Depends on data type.		*1
Info2	Attached information 2					
Out	Return value	Output	Always TRUE	TRUE only	---	---

\*1. If you omit the input parameter, the default value is not applied. A building error will occur.

	Boo lean	Bit strings				Integers								Real num- bers		Times, durations, dates, and text strings				
	BOOL	BYTE	WORD	DWORD	LWORD	USINT	UINT	UDINT	ULINT	SINT	INT	DINT	LINT	REAL	LREAL	TIME	DATE	TOD	DT	STRING
Code							OK													
Info1	OK	OK	OK	OK	OK	OK	OK	OK	OK	OK	OK	OK	OK	OK	OK	OK	OK	OK	OK	
Info2	OK	OK	OK	OK	OK	OK	OK	OK	OK	OK	OK	OK	OK	OK	OK	OK	OK	OK	OK	
Out	OK																			

## Function

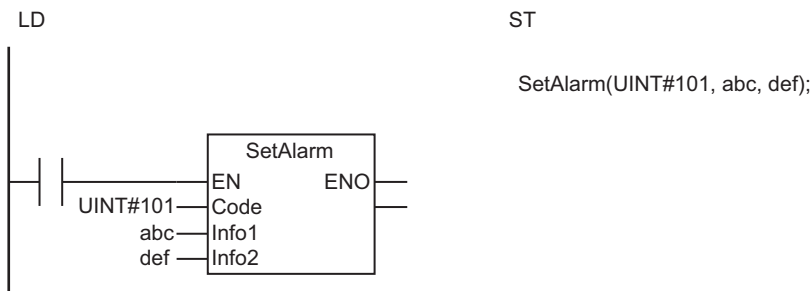
The SetAlarm instruction generates the user-defined error that corresponds to event code *Code*. Event codes are defined in the event setting table on the Sysmac Studio.

The time of occurrence, event name, event group, event code *Code*, event level, additional information *Info1*, additional information *Info2*, and detailed information are stored in the user event log area that corresponds to the level of the event code. The value for the time of occurrence is automatically obtained. The event name, event group, and detailed information that are set from the Sysmac Studio are recorded.

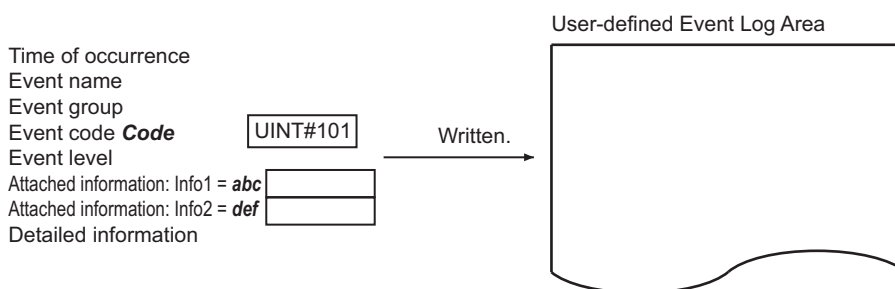
The event level that corresponds to the event code is recorded. The event levels are given below. The smaller the event code is, the higher the event level is.

Event code	Classification: (User fault level)
1 to 5000	1
5001 to 10000	2
10001 to 15000	3
15001 to 20000	4
20001 to 25000	5
25001 to 30000	6
30001 to 35000	7
35001 to 40000	8

The following figure shows a programming example. A user-defined error with event code 101 is generated. The values of variables *abc* and *def* are stored as attached information.



A user-defined error with event code **Code** is generated. Also, the time of occurrence, event name, event group, event code **Code**, event level, additional information **Info1**, additional information **Info2**, and detailed information are stored in the user event log area.



### Related System-defined Variables

Name	Meaning	Data type	Description
_AlarmFlag	Error Status of User-defined Errors	WORD	These flags indicate when user-defined errors are detected. Bit 0 to bit 7 indicate the status of user-defined error levels 1 to 8. *1

\*1. Refer to the *NJ/NX-series CPU Unit Software User's Manual (Cat. No. W501)* for details.

## Additional Information

You can specify global variables or local variables for *Info1* and *Info2*.

## Precautions for Correct Use

- Up to 32 user-defined errors can be generated in each of the eight event levels (for up to 256 user-defined errors total).
- If a user-defined error for the same event code already exists, the new error is not recorded in the event log.
- Always use variables for the input parameters that are passed to *Info1* and *Info2*. If you use a constant, a building error will occur.
- An error does not occur even if the value of *Code* is set with an event code which is not registered in the Sysmac Studio. If the event code is not registered, the event group and detailed information are not recorded in the user-defined event log. The value of *Code* is recorded for the event name.
- Return value *Out* is not used when the instruction is used in ST.
- An error will occur in the following cases. *ENO* will be FALSE.
  - a) The value of *Code* is outside the valid range.
  - b) An attempt was made to generate more than the maximum number of user-defined errors.

## Sample Programming

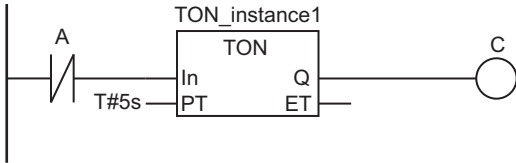
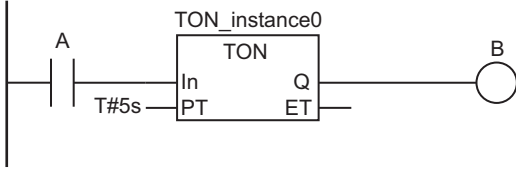
In this sample, the value of variable *A* changes between TRUE and FALSE every five seconds. The value of *A* is monitored. If it does not change for more than five seconds, a user-defined error with event code 102 is generated. UINT#123 and UINT#456 are given as the attached information. When variable *F* changes to TRUE, the user-defined error is cleared.

### LD

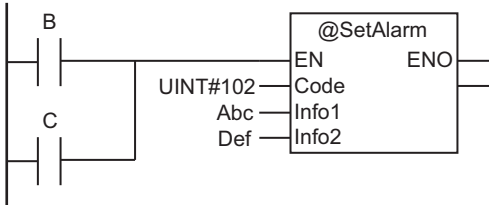
Internal Variables	Variable	Data type	Initial value
	A	BOOL	FALSE
	B	BOOL	FALSE
	C	BOOL	FALSE
	F	BOOL	FALSE
	Abc	UINT	123
	Def	UINT	456
	TON_instance0	TON	
	TON_instance1	TON	

External Variables	Variable	Data type	Constant	Comment
	_AlarmFlag	WORD	<input checked="" type="checkbox"/>	Error Status of User-defined Errors

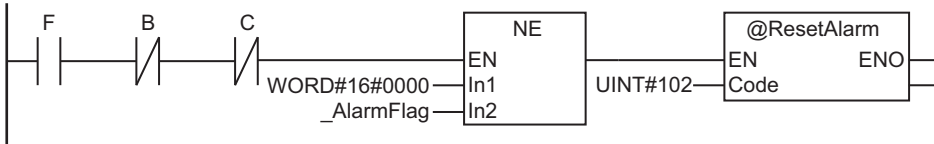
Check the value of variable **A**.



Create user-defined error.



Reset user-defined error.



### ST

Internal Variables	Variable	Data type	Initial value
	A	BOOL	FALSE
	B	BOOL	FALSE
	C	BOOL	FALSE
	F	BOOL	FALSE
	Abc	UINT	123
	Def	UINT	456
	TON_instance0	TON	
	TON_instance1	TON	

External Variables	Variable	Data type	Constant	Comment
	_AlarmFlag	WORD	<input checked="" type="checkbox"/>	Error Status of User-defined Errors

```
// Check the value of variable A.
IF (A=TRUE) THEN
    TON_instance0(In:=TRUE, PT:=T#5s, Q=>B);
ELSE
    TON_instance0(In:=FALSE, Q=>B);
```



```
END_IF;

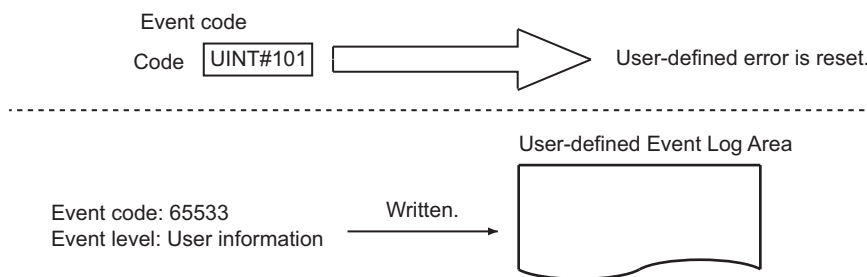
IF (A=FALSE) THEN
  TON_instance1(In:=TRUE, PT:=T#5s, Q=>C);
ELSE
  TON_instance1(In:=FALSE, Q=>C);
END_IF;

// Create user-defined error.
IF (B=TRUE) OR (C=TRUE) THEN
  SetAlarm(
    Code:=UINT#102,
    Info1 :=Abc,
    info2 :=Def);
END_IF;

// Reset user-defined error.
IF (F=TRUE) & (B=FALSE) & (C=FALSE) & (_AlarmFlag<>WORD#16#0000) THEN
  ResetAlarm(Code:=UINT#102);
END_IF;
```



The ResetAlarm instruction resets the user-defined error specified by event code **Code**. Also an event is recorded in the user-defined event log area to show that a specific user-defined error was reset.



## Related System-defined Variables

Name	Meaning	Data type	Description
_AlarmFlag	Error Status of User-defined Errors	WORD	These flags indicate when user-defined errors are detected. Bit 0 to bit 7 indicate the status of user-defined error levels 1 to 8. *1

\*1. Refer to the *NJ/NX-series CPU Unit Software User's Manual (Cat. No. W501)* for details.

## Precautions for Correct Use

- An error does not occur if the user-defined error specified by *Code* has not occurred.
- Return value *Out* is not used when the instruction is used in ST.
- An error will occur in the following case. *ENO* will be FALSE.
  - a) The value of *Code* is outside the valid range.

## Sample Programming

Refer to *Sample Programming* on page 2-877 for the SetAlarm instruction.

# GetAlarm

The GetAlarm instruction gets the highest event level (of user-defined error levels 1 to 8) and the highest level event code of the current user-defined errors.

Instruction	Name	FB/ FUN	Graphic expression	ST expression
GetAlarm	Get User-defined Error Status	FUN		Out:=GetAlarm(Level, Code);

## Variables

	Meaning	I/O	Description	Valid range	Unit	Default
Out	Error flag	Output	TRUE: User-defined error exists. FALSE: No user-defined error	Depends on data type.		
Level	Highest event level		Highest event level of all current user-defined errors 0: No user-defined error 1 to 8: Event level	0 to 8	---	---
Code	Highest level event code		Highest level event code of all current user-defined errors 0: No user-defined error 1 to 40000: Event code	0 to 40000		

	Boo lean	Bit strings					Integers							Real num bers		Times, durations, dates, and text strings				
	BOOL	BYTE	WORD	DWORD	LWORD	USINT	UINT	UDINT	ULINT	SINT	INT	DINT	LINT	REAL	LREAL	TIME	DATE	TOD	DT	STRING
Out	OK																			
Level							OK													
Code							OK													

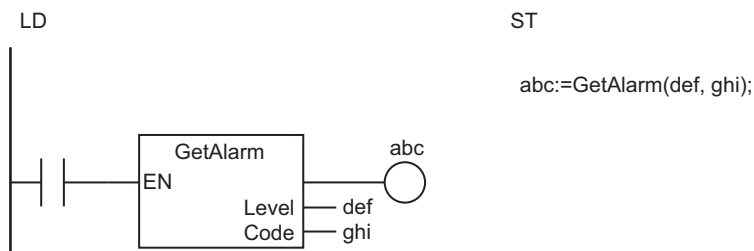
## Function

The GetAlarm instruction gets the highest event level and the highest level event code of the current user-defined errors and outputs them to *Level* and *Code*.

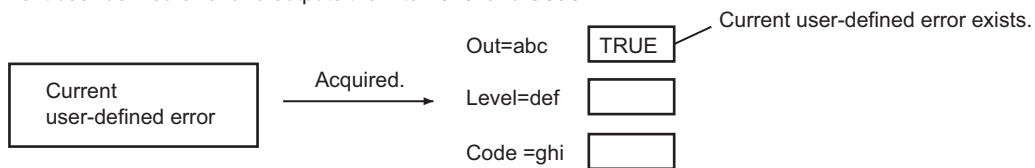
If there are currently no user-defined errors, the value of error flag *Out* is FALSE.

If there is more than one user-defined error at the highest event level, the value of *Code* is the event code for the user-defined error that occurred first.

The following figure shows a programming example.



The GetAlarm instruction gets the highest event level and the highest level event code of the current user-defined error and outputs them to **Level** and **Code**.



## Related System-defined Variables

Name	Meaning	Data type	Description
_AlarmFlag	Error Status of User-defined Errors	WORD	These flags indicate when user-defined errors are detected. Bit 0 to bit 7 indicate the status of user-defined error levels 1 to 8. *1

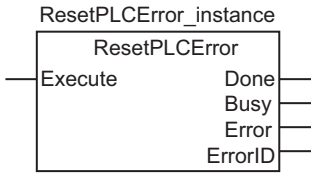
\*1. Refer to the *NJ/NX-series CPU Unit Software User's Manual (Cat. No. W501)* for details.

## Precautions for Correct Use

If this instruction is used in a ladder diagram, the value of *Out* changes to FALSE when an error occurs in the previous instruction on the rung.

# ResetPLCError

The ResetPLCError instruction resets errors in the PLC Function Module.

Instruction	Name	FB/ FUN	Graphic expression	ST expression
ResetPLCError	Reset PLC Controller Error	FB		ResetPLCError(Execute, Done, Busy, Error, ErrorID);

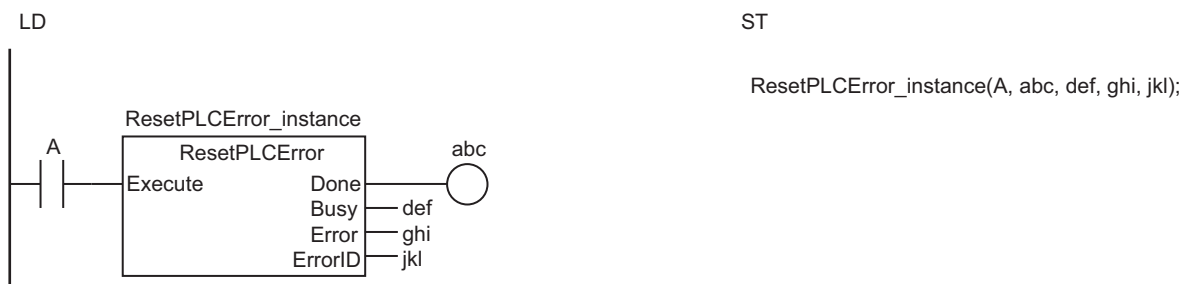
## Variables

Only common variables are used.

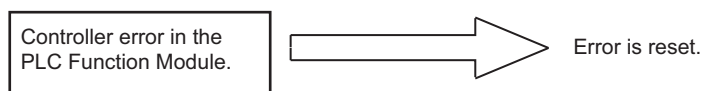
## Function

The ResetPLCError instruction resets errors in the PLC Function Module.

The following figure shows a programming example.



The ResetPLCError instruction resets errors in the PLC Function Module.



## Related System-defined Variables

Name	Meaning	Data type	Description
_PLC_ErrSta	Error Status of PLC Function Module	WORD	Contains the error status of the PLC Function Module. *1

\*1. Refer to the *NJ/NX-series CPU Unit Software User's Manual (Cat. No. W501)* for details.

## Precautions for Correct Use

The error may not be reset immediately after you execute this instruction. Use the GetPLCError instruction to confirm that the errors were reset.

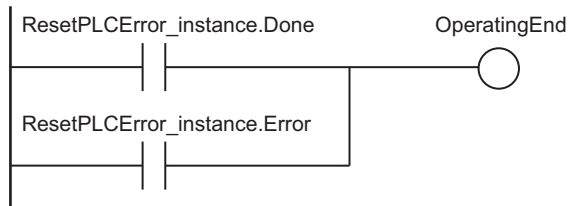
## Sample Programming

The ResetPLCError instruction is executed when the value of *Trigger* changes to TRUE. Normal end processing is performed if execution of the ResetPLCError instruction ends normally (i.e., if the value of *Done* is TRUE). Error end processing is performed if execution ends in an error (i.e., if the value of *Error* is TRUE).

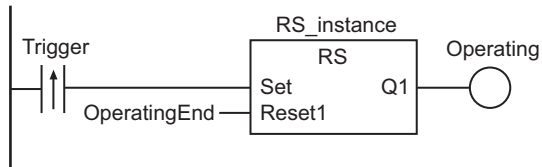
### LD

Variable	Data type	Initial value	Comment
OperatingEnd	BOOL	FALSE	Processing completed
Trigger	BOOL	FALSE	Execution condition
Operating	BOOL	FALSE	Processing
RS_instance	RS		
ResetPLCError_instance	ResetPLCError		

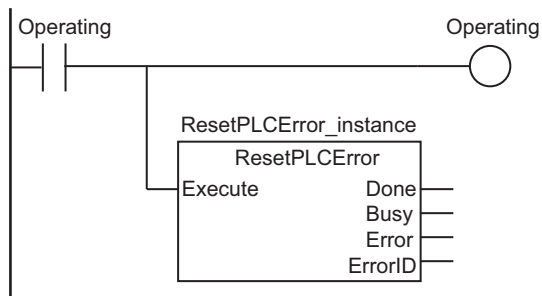
Determine if execution of the ResetPLCError has ended.



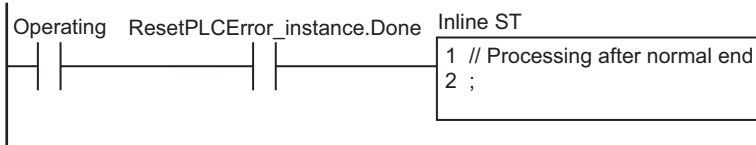
Accept trigger.



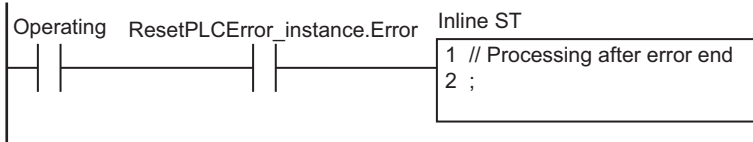
Execute ResetPLCError instruction.



Processing after normal end



Processing after error end



### ST

Variable	Data type	Initial value	Comment
Trigger	BOOL	FALSE	Execution condition
LastTrigger	BOOL	FALSE	Value of Trigger from previous task period
OperatingStart	BOOL	FALSE	Processing started
Operating	BOOL	FALSE	Processing
ResetPLCError_instance	ResetPLCError		

```
// Detect when Trigger changes to TRUE.
IF ( (Trigger=TRUE) AND (LastTrigger=FALSE) ) THEN
    OperatingStart:=TRUE;
    Operating:=TRUE;
END_IF;
LastTrigger:=Trigger;

// Initialize ResetPLCError_instance.
IF (OperatingStart=TRUE) THEN
    ResetPLCError_instance(Execute:=FALSE);
    OperatingStart:=FALSE;
END_IF;

// Execute ResetPLCError instruction.
IF (Operating=TRUE) THEN
    ResetPLCError_instance(Execute:=TRUE);

    IF (ResetPLCError_instance.Done=TRUE) THEN
        // Processing after normal end
        Operating:=FALSE;
    END_IF;

    IF (ResetPLCError_instance.Error=TRUE) THEN
        // Processing after error end
        Operating:=FALSE;
    END_IF;
END_IF;

```



```
END_IF;  
END_IF;
```

# GetPLCError

The GetPLCError instruction gets the highest level status (partial fault or minor fault) and highest level event code of the current Controller errors in the PLC Function Module.

Instruction	Name	FB/ FUN	Graphic expression	ST expression
GetPLCError	Get PLC Controller Error Status	FUN		Out:=GetPLCError(Level, Code);

## Variables

	Meaning	I/O	Description	Valid range	Unit	Default
Out	Error flag	Output	TRUE: Controller error exists. FALSE: No Controller error	Depends on data type.	---	---
Level	Highest level status		Highest level status of all current Controller errors in the PLC Function Module 0: No Controller error 2: Partial fault level 3: Minor fault level	0, 2, or 3		
Code	Highest level event code		Highest level event code of all current Controller errors in the PLC Function Module 16#0000_0000: No Controller error 16#0007_0000 to 16#FFFF_FFFF: Event code	16#00000000, 16#00070000 to 16#FFFFFFFF		

	Boo lean	Bit strings				Integers							Real num- bers		Times, durations, dates, and text strings					
	BOOL	BYTE	WORD	DWORD	LWORD	USINT	UINT	UDINT	ULINT	SINT	INT	DINT	LINT	REAL	LREAL	TIME	DATE	TOD	DT	STRING
Out	OK																			
Level							OK													
Code				OK																

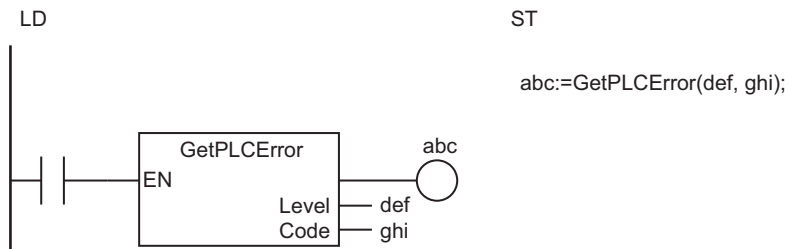
## Function

The GetPLCErr instruction gets the highest level status and the highest level event code of the current Controller errors in the PLC Function Module and outputs them to *Level* and *Code*.

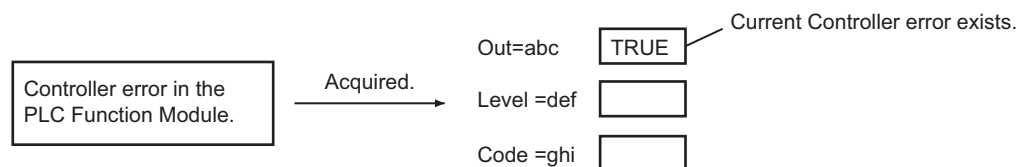
If there are currently no Controller errors, the value of error flag *Out* is FALSE.

If there is more than one Controller error at the highest event level, the value of *Code* is the event code for the Controller error that occurred first.

The following figure shows a programming example.



The GetPLCErr instruction gets the highest level status and the highest level event code of the current Controller errors in the PLC Function Module and outputs them to *Level* and *Code*.



## Related System-defined Variables

Name	Meaning	Data type	Description
_PLC_ErrSta	Error Status of PLC Function Module	WORD	Contains the error status of the PLC Function Module. *1

\*1. Refer to the *NJ/NX-series CPU Unit Software User's Manual (Cat. No. W501)* for details.

# ResetCJBError

The ResetCJBError instruction resets Controller errors in the I/O bus.

Instruction	Name	FB/ FUN	Graphic expression	ST expression
ResetCJBError	Reset CJ Bus Controller Error	FB		ResetCJBError_instance(Execute, UnitNo, Done, Busy, Error, ErrorID);



## Precautions for Correct Use

You cannot use this instruction with NX-series CPU Units.

## Variables

	Meaning	I/O	Description	Valid range	Unit	Default
UnitNo	Unit number	Input	Unit number for which to reset errors	_CBU_No00 to _CBU_No15, _SIO_No00 to _SIO_No95, _UNIT_ALL	---	_UNIT_ALL

	Boo lean	Bit strings				Integers							Real numbers		Times, durations, dates, and text strings					
	BOOL	BYTE	WORD	DWORD	LWORD	USINT	UINT	UDINT	ULINT	SINT	INT	DINT	LINT	REAL	LREAL	TIME	DATE	TOD	DT	STRING
UnitNo		Refer to <i>Function</i> on page 2-890 for the enumerators of the enumerated type _eUnitNo.																		

## Function

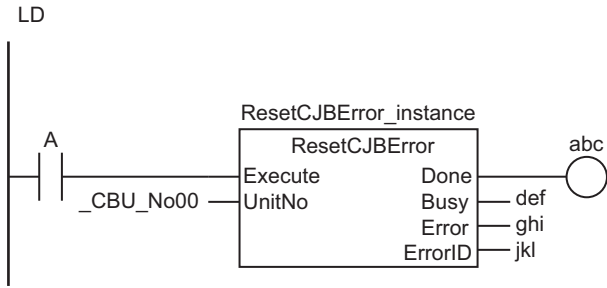
The ResetCJBError instruction resets a Controller error in the I/O bus.

If the Unit specified with *UnitNo* is a CJ-series Special Unit, the Unit is restarted as well.

The data type of *UnitNo* is enumerated type \_eUnitNo. The meanings of the enumerators are as follows:

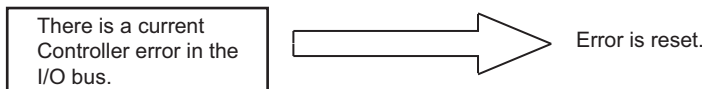
Enumerators	Meaning
_CBU_No00 to _CBU_No15	Unit number of CPU Bus Unit, 00 to 15
_SIO_No00 to _SIO_No95	Unit number of Special I/O Unit, 00 to 95
_UNIT_ALL	All Units

The following example is for when *UnitNo* is \_CBU\_No00. The Controller error on the I/O bus is reset and the CPU Bus Unit with unit number 0 is restarted.

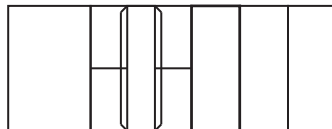


```
ST
ResetCJBError_instance(A, _CBU_No00,
    abc, def, ghi, jkl);
```

The ResetCJBError instruction resets a Controller error in the I/O bus. Also, the CPU Bus Unit with unit number **UnitNo** is restarted.



UnitNo = \_CBU\_No00: CPU Bus Unit with unit number 0 is restarted.



### Related System-defined Variables

Name	Meaning	Data type	Description
_CJB_ErrSta	I/O Bus Error Status	WORD	Contains the error status of the I/O bus. *1

\*1. Refer to the *NJ/NX-series CPU Unit Software User's Manual (Cat. No. W501)* for details.

### Precautions for Correct Use

- The error may not be reset immediately after you execute this instruction. Use the GetCJBError instruction to confirm that the errors were reset.
- An error will occur in the following cases. *Error* will change to TRUE.
  - a) The value of *UnitNo* is outside the valid range.
  - b) The Unit specified with *UnitNo* does not exist.

# GetCJBError

The GetCJBError instruction gets the highest level status and highest level event code of the current Controller errors in the I/O bus of the NJ-series CPU Unit.

Instruction	Name	FB/ FUN	Graphic expression	ST expression
GetCJBError	Get I/O Bus Error Status	FUN		Out:=GetCJBError(Level, Code);



## Precautions for Correct Use

You cannot use this instruction with NX-series CPU Units.

## Variables

	Meaning	I/O	Description	Valid range	Unit	Default
Out	Error flag	Output	TRUE: Controller error exists. FALSE: No Controller error	Depends on data type.	---	---
Level	Highest level status		Highest level status of all current Controller errors in the I/O bus 0: No Controller error 2: Partial fault level 3: Minor fault level	0, 2, or 3		
Code	Highest level event code		Highest level event code of all current Controller errors in the I/O bus 16#0000_0000: No Controller error 16#0007_0000 to 16#FFFF_FFFF: Event code	16#00000000, 16#00070000 to 16#FFFFFFFF		

	Boo lean	Bit strings				Integers								Real num- bers		Times, durations, dates, and text strings				
	BOOL	BYTE	WORD	DWORD	LWORD	USINT	UINT	UDINT	ULINT	SINT	INT	DINT	LINT	REAL	LREAL	TIME	DATE	TOD	DT	STRING
Out	OK																			
Level							OK													
Code				OK																

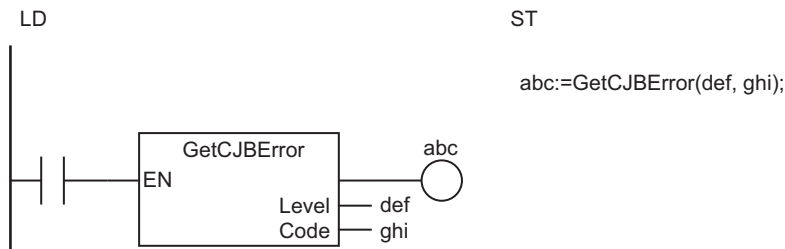
## Function

The GetCJBError instruction gets the highest level status and the highest level event code of the current Controller errors in the I/O bus and outputs them to *Level* and *Code*.

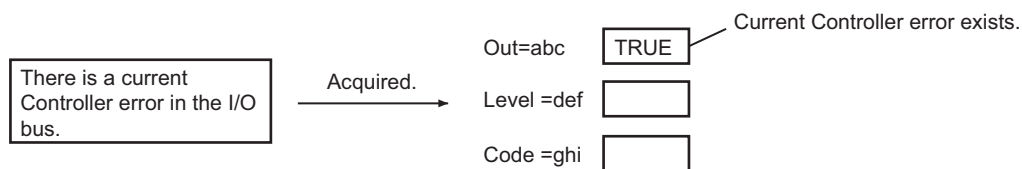
If there are currently no Controller errors, the value of error flag *Out* is FALSE.

If there is more than one Controller error at the highest event level, the value of *Code* is the event code for the Controller error that occurred first.

The following figure shows a programming example.



The GetCJBError instruction gets the highest level status and the highest level event code of the current Controller errors in the I/O bus and outputs them to *Level* and *Code*.



## Related System-defined Variables

Name	Meaning	Data type	Description
_CJB_ErrSta	I/O Bus Error Status	WORD	Contains the error status of the I/O bus. *1

\*1. Refer to the *NJ/NX-series CPU Unit Software User's Manual (Cat. No. W501)* for details.

# GetEIPError

The GetEIPError instruction gets the highest level status (partial fault or minor fault) and highest level event code of the current Controller errors in the EtherNet/IP Function Module.

Instruction	Name	FB/ FUN	Graphic expression	ST expression
GetEIPError	Get EtherNet/IP Error Status	FUN		Out:=GetEIPError(Level, Code);

## Variables

	Meaning	I/O	Description	Valid range	Unit	Default
Out	Error flag	Output	TRUE: Controller error exists. FALSE: No Controller error	Depends on data type.	---	---
Level	Highest event level		Highest level status of all current Controller errors in the EtherNet/IP Function Module 0: No Controller error 2: Partial fault level 3: Minor fault level	0, 2, or 3		
Code	Highest level event code		Highest level event code of all current Controller errors in the EtherNet/IP Function Module 16#0000_0000: No Controller error 16#0007_0000 to 16#FFFF_FFFF: Event code	16#00000000, 16#00070000 to 16#FFFFFFFF		

	Boo lean	Bit strings					Integers							Real numbers		Times, durations, dates, and text strings				
	BOOL	BYTE	WORD	DWORD	LWORD	USINT	UINT	UDINT	ULINT	SINT	INT	DINT	LINT	REAL	LREAL	TIME	DATE	TOD	DT	STRING
Out	OK																			
Level							OK													
Code				OK																



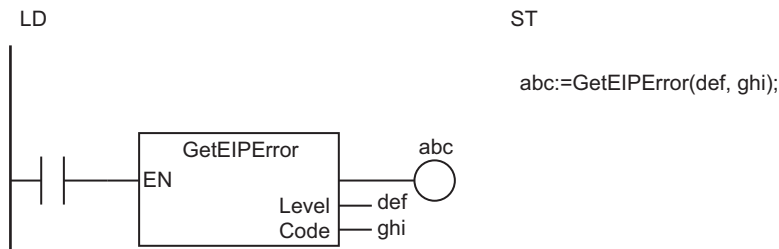
## Function

The GetEIPError instruction gets the highest level status and the highest level event code of the current Controller errors in the EtherNet/IP Function Module and outputs them to *Level* and *Code*.

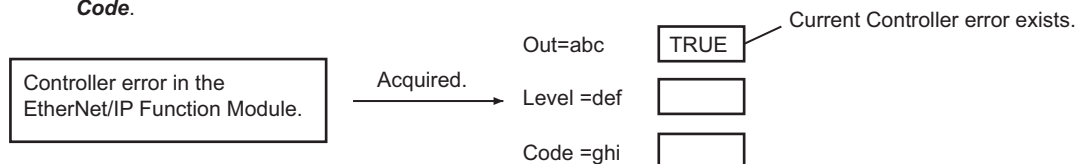
If there are currently no Controller errors, the value of error flag *Out* is FALSE.

If there is more than one Controller error at the highest event level, the value of *Code* is the event code for the Controller error that occurred first.

The following figure shows a programming example.



The GetEIPError instruction gets the highest level status and the highest level event code of the current Controller errors in the EtherNet/IP Function Module and outputs them to **Level** and **Code**.



## Related System-defined Variables

Name	Meaning	Data type	Description
_EIP_ErrSta	Error Status of EtherNet/IP Function Module	WORD	Contains the error status of the EtherNet/IP Function Module. *1

\*1. Refer to the *NJ/NX-series CPU Unit Software User's Manual (Cat. No. W501)* for details.

# ResetMCErr

The ResetMCErr instruction resets Controller errors in the Motion Control Function Module.

Instruction	Name	FB/ FUN	Graphic expression	ST expression
ResetMCErr	Reset Motion Control Error	FB		ResetMCErr_instance(Execute, Done, Busy, Failure Error, ErrorID);

## Variables

	Meaning	I/O	Description	Valid range	Unit	Default
Failure	Failure end	Output	TRUE: The errors were not reset. FALSE: The errors were reset normally.	Depends on data type.	---	---

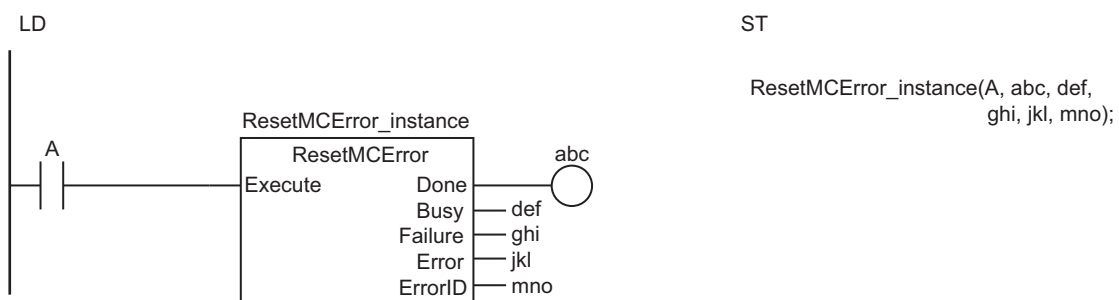
	Boo lean	Bit strings					Integers							Real num- bers		Times, durations, dates, and text strings				
	BOOL	BYTE	WORD	DWORD	LWORD	USINT	UINT	UDINT	ULINT	SINT	INT	DINT	LINT	REAL	LREAL	TIME	DATE	TOD	DT	STRING
Failure	OK																			

## Function

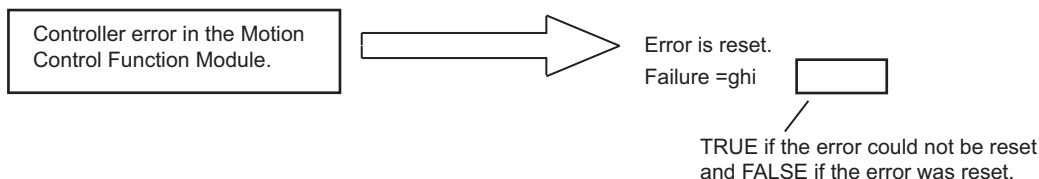
The ResetMCErr instruction resets a Controller error in the Motion Control Function Module. If the errors are not reset, the value of *Failure* changes to TRUE.

No matter what task the program that executes the ResetMCErr is placed in, this instruction resets errors for all axes and all axes groups.

The following figure shows a programming example.



The ResetMCErr instruction resets Controller errors in the Motion Control Function Module. If the errors are not reset, the value of **Failure** changes to TRUE.



## Related System-defined Variables

Name	Meaning	Data type	Description
_MC_ErrSta	Motion Control Error Status	WORD	Contains the error status of the Motion Control Function Module. *1

\*1. Refer to the *NJ/NX-series CPU Unit Software User's Manual (Cat. No. W501)* for details.

## Precautions for Correct Use

- The error may not be reset immediately after you execute this instruction. Use the GetMCErr instruction to confirm that the errors were reset.
- If you attempt to execute this instruction during an MC Test Run, the value of *Busy* remains TRUE and the instruction is not executed.
- If you execute this instruction for an OMRON G5-series Servo Drive, perform exclusive control of the instructions so that the ResetECErr instruction is not executed at the same time. If the ResetMCErr and ResetECErr instructions are executed at the same time, the G5-series Servo Drive will no longer accept SDO communications.



### Version Information

- With a CPU Unit with unit version 1.02 to 1.09, you can create only 100 instances of this instruction.
- If you transfer a user program that has more than 100 instances of this instruction to a Controller with a CPU Unit with unit version 1.02 to 1.09, a Controller error will occur. The Controller error depends on the transfer method that is used for the user program as given below.

User program transfer method	Event code for Controller error	Level of Controller error
Project transferred with synchronization	10250000 hex	Major fault level
	571D0000 hex	Observation
User program transferred with online editing	571D0000 hex	Observation

- If you transfer a user program that has more than 100 instances of this instruction to a Controller with a CPU Unit with unit version 1.01 or earlier, the above Controller error will not occur. However, if you create too many instances of this instruction, the user program will become too large and a major fault level Controller error will occur.

## Sample Programming

This sample detects Controller errors in the EtherCAT Master Function Module and Motion Control Function Module. If errors are detected, they are reset.

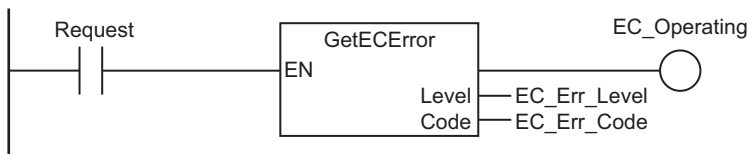
The processing procedure is as follows:

- 1** The GetECError instruction is executed to detect any Controller errors in the EtherCAT Master Function Module.
- 2** If errors are detected, they are reset with the ResetECError instruction.
- 3** The GetMCErr instruction is executed to detect any Controller errors in the Motion Control Function Module.
- 4** If errors are detected, they are reset with the ResetMCErr instruction.

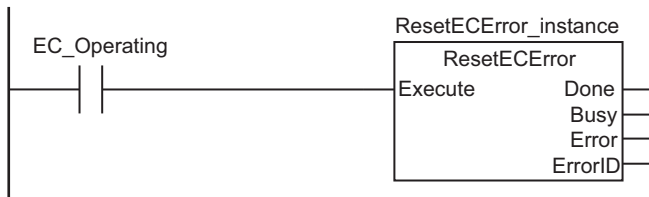
### LD

Variable	Data type	Initial value	Comment
Request	BOOL	FALSE	Error detection reset request
EC_Err_Level	UINT	0	EtherCAT Master Function Module Highest event level
EC_Err_Code	DWORD	DWORD#16#0	EtherCAT Master Function Module Highest level event code
EC_Operating	BOOL	FALSE	Resetting error in EtherCAT Master Function Module
MC_Err_Level	UINT	0	Motion Control Function Module Highest event level
MC_Err_Code	DWORD	DWORD#16#0	Motion Control Function Module Highest level event code
MC_Operating	BOOL	FALSE	Resetting error in Motion Control Function Module
Normal_End	BOOL	FALSE	Normal end
ResetECError_instance	ResetECError		
ResetMCErr_instance	ResetMCErr		

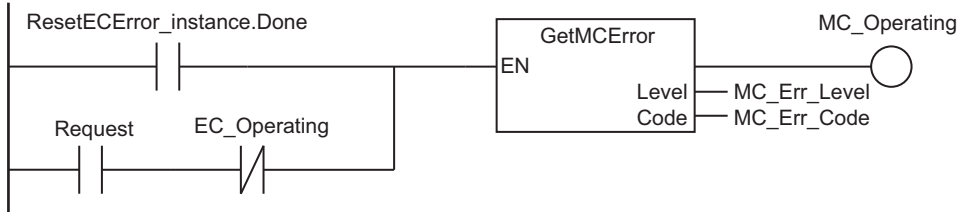
Execute GetECError instruction.



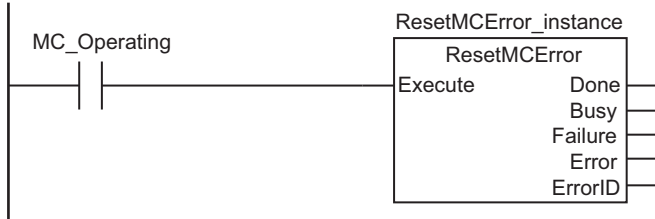
Execute ResetECError instruction if error occurs in EtherCAT Master Function Module.



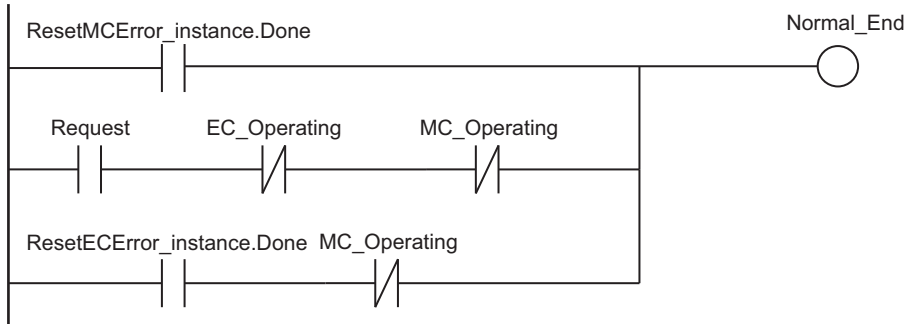
Execute GetMCErr instruction after resetting error in EtherCAT Master Function Module or if there is no error.



Execute ResetMCErr instruction if error occurs in Motion Control Function Module.



Processing after normal end



ST

Variable	Data type	Initial value	Comment
Request	BOOL	FALSE	Error detection reset request
EC_Error	BOOL	FALSE	Error in EtherCAT Master Function Module
EC_Err_Level	UINT	0	Highest event level in EtherCAT Master Function Module
EC_Err_Code	DWORD	DWORD#16#0	Highest level event code in EtherCAT Master Function Module
EC_Stage	INT	0	Error reset in EtherCAT Master Function Module
MC_Error	BOOL	FALSE	Error in Motion Control Function Module
MC_Err_Level	UINT	0	Highest event level in Motion Control Function Module
MC_Err_Code	DWORD	DWORD#16#0	Highest level event code in Motion Control Function Module
MC_Stage	INT	0	Error reset in Motion Control Function Module
ResetECError_instance	ResetECError		
ResetMCErr_instance	ResetMCErr		

```
// Determine error resetting requests.
IF (Request=TRUE) THEN
```

```

// Detect Controller errors in EtherCAT Master Function Module.
    EC_Error:=GetECError(EC_Err_Level, EC_Err_Code);

// Detect Controller errors in Motion Control Function Module.
    MC_Error:=GetMCError(MC_Err_Level, MC_Err_Code);

IF (EC_Error=TRUE) THEN // Controller error in EtherCAT Master Function Module.
    CASE EC_Stage OF
    0 : // Initialize
        ResetECError_instance(Execute:=FALSE);
        EC_Stage:=INT#1;
    1 : // Resetting Controller error in EtherCAT Master Function Module.
        ResetECError_instance(Execute:=TRUE);
        IF (ResetECError_instance.Done=TRUE) THEN
            EC_Stage:=INT#99; // Normal end
        END_IF;
        IF (ResetECError_instance.Error=TRUE) THEN
            EC_Stage:=INT#98; // Error end
        END_IF;
    99 : // Processing after normal end
        EC_Stage:=INT#0;
    98 : // Processing after error end.
        EC_Stage:=INT#0;
    END_CASE;
END_IF;

IF (MC_Error=TRUE) THEN // Controller error in Motion Control Function Module.
    CASE MC_Stage OF
    0 : // Initialize
        ResetMCError_instance(Execute:=FALSE);
        MC_Stage:=INT#1;
    1 : // Resetting Controller error in Motion Control Function Module.
        IF (EC_Error=FALSE) THEN
            ResetMCError_instance(Execute:=TRUE); // Recover operation for all slaves.
            IF (ResetMCError_instance.Done=TRUE) THEN
                MC_Stage:=INT#99; // Normal end
            END_IF;
            IF ( (ResetMCError_instance.Error=TRUE) OR (ResetMCError_instance.Failure=TRUE) ) THEN
                MC_Stage:=INT#98; // Error end
            END_IF;
        END_IF;
    99 : // Processing after normal end
        MC_Stage:=INT#0;
    98 : // Processing after error end.
        MC_Stage:=INT#0;
    END_CASE;
END_IF;

```

```
    END_CASE;  
  END_IF;  
END_IF;
```

# GetMCError

The GetMCError instruction gets the highest level status (partial fault or minor fault) and highest level event code of the current Controller errors in the Motion Control Function Module.

Instruction	Name	FB/ FUN	Graphic expression	ST expression
GetMCError	Get Motion Control Error Status	FUN		Out:=GetMCError(Level, Code);

## Variables

	Meaning	I/O	Description	Valid range	Unit	Default
Out	Error flag	Output	TRUE: Controller error exists. FALSE: No Controller error	Depends on data type.	---	---
Level	Highest level status		Highest level status of all current Controller errors in the Motion Control Function Module 0: No Controller error 2: Partial fault level 3: Minor fault level	0, 2, or 3		
Code	Highest level event code		Highest level event code of all current Controller errors in the Motion Control Function Module 16#0000_0000: No Controller error 16#0007_0000 to 16#FFFF_FFFF: Event code	16#00000000, 16#00070000 to 16#FFFFFFFF		

	Boo lean	Bit strings					Integers							Real numbers		Times, durations, dates, and text strings				
	BOOL	BYTE	WORD	DWORD	LWORD	USINT	UINT	UDINT	ULINT	SINT	INT	DINT	LINT	REAL	LREAL	TIME	DATE	TOD	DT	STRING
Out	OK																			
Level							OK													
Code				OK																



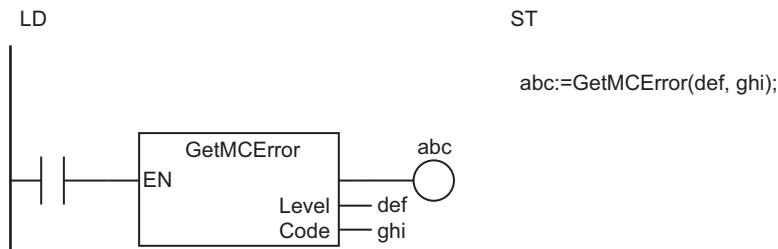
## Function

The GetMCError instruction gets the highest level status and the highest level event code of the current Controller errors in the Motion Control Function Module and outputs them to *Level* and *Code*.

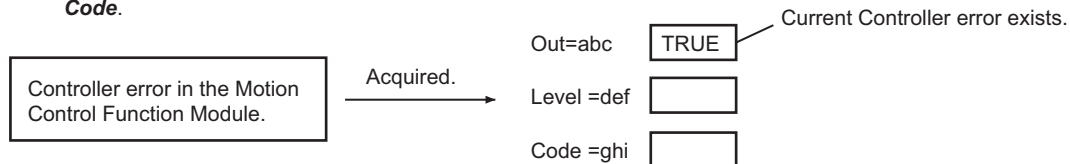
If there are currently no Controller errors, the value of error flag *Out* is FALSE.

If there is more than one Controller error at the highest event level, the value of *Code* is the event code for the Controller error that occurred first.

The following figure shows a programming example.



The GetMCError instruction gets the highest level status and the highest level event code of the current Controller errors in the Motion Control Function Module and outputs them to **Level** and **Code**.



## Related System-defined Variables

Name	Meaning	Data type	Description
_MC_ErrSta	Motion Control Error Status	WORD	Contains the error status of the Motion Control Function Module. *1

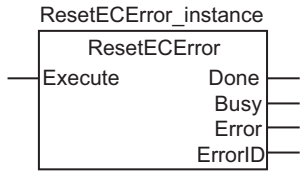
\*1. Refer to the *NJ/NX-series CPU Unit Software User's Manual (Cat. No. W501)* for details.

## Sample Programming

Refer to *Sample Programming* on page 2-897 for the ResetMCError instruction.

# ResetECError

The ResetECError instruction resets Controller errors in the EtherCAT Master Function Module.

Instruction	Name	FB/ FUN	Graphic expression	ST expression
ResetECError	Reset Ether- CAT Error	FB		ResetECError_instance(Execute, Done, Busy, Error, ErrorID);

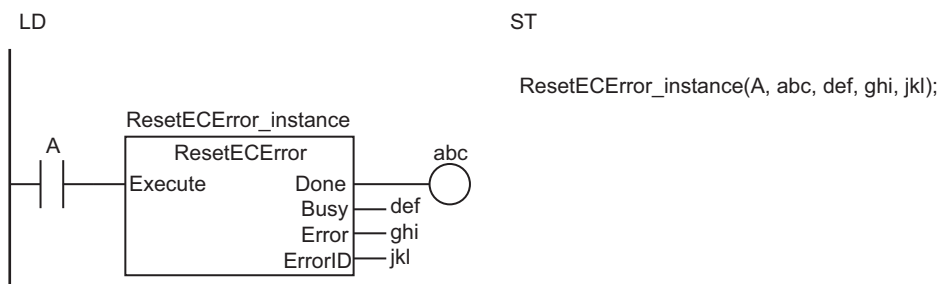
## Variables

Only common variables are used.

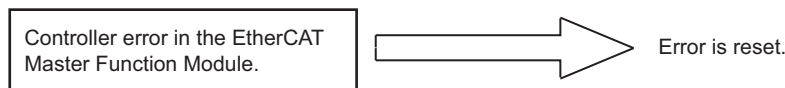
## Function

The ResetECError instruction resets Controller errors in the EtherCAT Master Function Module.

The following figure shows a programming example.



The ResetECError instruction resets a Controller error in the EtherCAT Master Function Module.



## Related System-defined Variables

Name	Meaning	Data type	Description
_EC_ErrSta	EtherCAT Error	WORD	Contains a summary of the errors in the EtherCAT Master Function Module. *1

\*1. Refer to the *NJ/NX-series CPU Unit Software User's Manual (Cat. No. W501)* for details.

## Precautions for Correct Use

- The error may not be reset immediately after you execute this instruction. Use the GetECError instruction to confirm that the errors were reset.
- When the ResetECError instruction is executed with the cable redundancy status, the status may be cleared temporarily.
- If you execute this instruction for an OMRON G5-series Servo Drive, perform exclusive control of the instructions so that the ResetMCErr, MC\_Reset, or MC\_GroupReset instruction is not executed at the same time. If any of these three instructions and the ResetECError instruction are executed at the same time, the G5-series Servo Drive will no longer accept SDO communications.
- You cannot execute this instruction during execution of the following instructions: EC\_DisconnectSlave, EC\_ConnectSlave, EC\_ChangeEnableSetting, ResetECError, RestartNXUnit, and NX\_ChangeWriteMode.
- An error will occur in the following cases. *Error* will change to TRUE.
  - a) This instruction is executed again while processing to clear a Controller error from the EtherCAT Master Function Module is in progress.
  - b) The EC\_DisconnectSlave, EC\_ConnectSlave, EC\_ChangeEnableSetting, ResetECError, RestartNXUnit, or NX\_ChangeWriteMode instruction is already in execution.

## Sample Programming

Refer to *Sample Programming* on page 2-897 for the ResetMCErr instruction.

# GetECError

The GetECError instruction detects errors in the EtherCAT Master Function Module.

Instruction	Name	FB/ FUN	Graphic expression	ST expression
GetECError	Get EtherCAT Error Status	FUN		Out:=GetECError(Level, Code);



## Version Information

A CPU Unit with unit version 1.02 or later is required to detect slave errors with this instruction.

## Variables

	Meaning	I/O	Description	Valid range	Unit	Default
Out	Error flag	Output	TRUE: Error exists* <sup>1</sup> FALSE: No error	Depends on data type.		
Level	Highest level status		Status of the current error with the highest level* <sup>1</sup> 0: No error 2: Partial fault level 3: Minor fault level	0, 2, or 3	---	---
Code	Highest level event code		Event code of the current error with the highest level* <sup>1</sup>	16#00000000, 16#00070000 to 16#FFFFFFF		

\*1. The errors that are detected depend on the unit version of the CPU Unit and the version of the Sysmac Studio. Refer to *Detected Errors and Output Variable Values* on page 2-907 for details.

	Boo lean	Bit strings				Integers							Real num- bers		Times, durations, dates, and text strings					
	BOOL	BYTE	WORD	DWORD	LWORD	USINT	UINT	UDINT	ULINT	SINT	INT	DINT	LINT	REAL	LREAL	TIME	DATE	TOD	DT	STRING
Out	OK																			
Level							OK													
Code				OK																

## Function

The GetECError instruction detects errors in the EtherCAT Master Function Module.

The value of *Out* is TRUE if there is an error, and FALSE if there is no error.

*Level* gives the status of the current error with the highest level.

*Code* gives the event code of the current error with the highest level.

## Detected Errors and Output Variable Values

The errors that are detected by this instruction depend on the unit version of the CPU Unit. The following table lists the errors that are detected for each unit version.

Unit version of CPU Unit	Detected errors
1.02 or later	Communications port errors, master errors, and slave errors
1.01 or earlier	Communications port errors and master errors

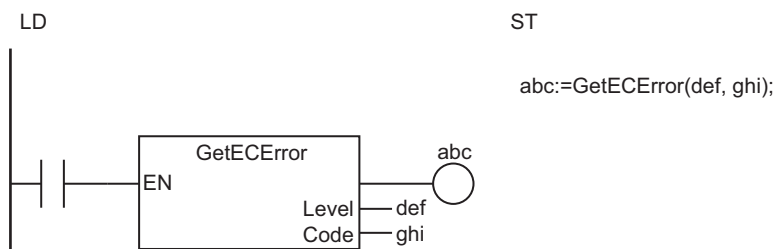
The following table shows the relationship between the unit version of the CPU Unit, the status of the EtherCAT Master Function Module and values of the output variables.

Unit version of CPU Unit	Status of EtherCAT Master Function Module	Value of Out	Value of Level	Value of Code
1.04 or later	No error	FALSE	0	16#0000_0000
	Communications port error or master error	TRUE	Status of the current error with the highest level 2: Partial fault level 3: Minor fault level	Event code of the current error with the highest level*1 16#0007_0000 to 16#FFFF_FFFF
	Slave error			16#0000_0000
1.02 or 1.03	No error	FALSE	0	16#0000_0000
	Communications port error or master error	TRUE	Status of the current error with the highest level 2: Partial fault level 3: Minor fault level	Event code of the current error with the highest level*1 16#0007_0000 to 16#FFFF_FFFF
	Slave error			16#0000_0000
1.00 or 1.01	No error	FALSE	0	16#0000_0000
	Communications port error or master error	TRUE	Status of the current error with the highest level 2: Partial fault level 3: Minor fault level	Event code of the current error with the highest level*1 16#0007_0000 to 16#FFFF_FFFF
	Slave error			16#0000_0000

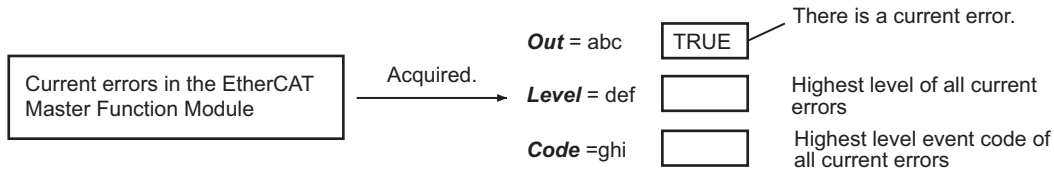
\*1. If there is more than one error at the highest event level, the value is the event code for the error that occurred first.

## Notation Example

The following figure shows a programming example.



The GetECError instruction detects current communications port errors, master errors, and slave errors in the EtherCAT Master Function Module.



### Related System-defined Variables

Name	Meaning	Data type	Description
_EC_ErrSta	EtherCAT Error	WORD	Contains a summary of the errors in the EtherCAT Master Function Module. *1
_EC_PortErr *2	Communications Port Error	WORD	Contains a summary of the EtherCAT master communications port errors. *1
_EC_MstrErr *2	Master Error	WORD	Contains a summary of the EtherCAT master errors and the slave errors detected by the EtherCAT master. *1
_EC_SlavErr	Slave Error	WORD	Contains a summary of the overall EtherCAT slave error status. *1

\*1. Refer to the *NJ/NX-series CPU Unit Built-in EtherCAT Port User's Manual (Cat. No. W505)* for details.

\*2. The GetECError instruction gets the errors that are shown by \_EC\_PortErr (Communications Port Error) and \_EC\_MstrErr (Master Error).

### Sample Programming

Refer to *Sample Programming* on page 2-897 for the ResetMCError instruction.

# ResetNXBError

The ResetNXBError instruction resets Controller errors in the NX Bus Function Module.

Instruction	Name	FB/ FUN	Graphic expression	ST expression
ResetNXBError	Reset NX Bus Error	FB		ResetNXBError_instance(Execute, Done, Busy, Error, ErrorID);



## Precautions for Correct Use

You can use this instruction for the NX502 CPU Unit, NX102 CPU Unit, and NX1P2 CPU Unit.

## Variables

Only common variables are used.

## Function

The ResetNXBError instruction resets the current Controller errors in the NX Bus Function Module.

After an error is reset, the *Busy* output variable changes to FALSE and the *Done* output variable changes to TRUE.

For Safety Control Units, however, errors are not reset.

If this instruction is executed again in a different instance from the instance for which error reset processing is in progress, the latter instruction will result in an error.

The *Error* output variable of the latter command changes to TRUE and the error code (Multi-execution of Instructions: 041A) is output to the *ErrorID* output variable.

## Related System-defined Variables

Name	Meaning
_NXB_ErrSta	NX Bus Function Module Error Status

## Additional Information

- If you execute this instruction on the Simulator, *Done* will change to TRUE, *Busy* and *Error* to FALSE, and *ErrorID* to 0 when *Execute* changes from FALSE to TRUE. And errors will not be cleared.
- If the cause of the error is not solved and the error status remains after resetting an error, the error reset may appear to be impossible.
- The event log is not cleared.

### Precautions for Correct Use

You cannot use this instruction in an event task. A compiling error will occur.



# GetNXBError

The GetNXBError instruction gets the highest level status of the current Controller errors in the NX Bus Function Module of the NX-series CPU Unit.

Instruction	Name	FB/ FUN	Graphic expression	ST expression
GetNXBError	Get NX Bus Error Status	FUN		Out:=GetNXBError(UnitProxy, Level);



## Precautions for Correct Use

You can use this instruction for the NX502 CPU Unit, NX102 CPU Unit, and NX1P2 CPU Unit.

## Variables

	Meaning	I/O	Description	Valid range	Unit	Default
Out	Error flag	Output	TRUE: Error exists. FALSE: No error	Depends on data type.	---	---
UnitProxy	Lower level NX Unit		NX Unit where the status of the current error is <i>Level</i>	---		
Level	Highest level status		Status of the current error with the highest level 0: No error 2: Partial fault level 3: Minor fault level	0, 2, or 3		

	Boo lean	Bit strings					Integers							Real numbers		Times, durations, dates, and text strings				
	BOOL	BYTE	WORD	DWORD	LWORD	USINT	UINT	UDINT	ULINT	SINT	INT	DINT	LINT	REAL	LREAL	TIME	DATE	TOD	DT	STRING
Out	OK																			
UnitProxy	Refer to <i>Function</i> on page 2-911 for details on the structure <code>_sNXUNIT_ID</code> .																			
Level						OK														

## Function

The GetNXBError instruction gets the highest level status (partial fault or minor fault) of the current Controller errors in the NX Bus Function Module.

This instruction applies to the NX502 CPU Unit, NX102 CPU Unit, NX1P2 CPU Unit and NX Unit connected to the NX bus on the CPU Unit.

The value of *Out* is TRUE if there is an error and FALSE if there is no error.

*Level* gives the status of the current error with the highest level.

*UnitProxy* returns the *UnitProxy* of the NX Unit where the status of the current error is *Level*.

If errors of the same level occur in more than one Unit, it returns *UnitProxy* of the NX Unit that is closest to the master and has the lowest unit number.

The data type of *UnitProxy* is structure `_sNXUNIT_ID`. The specifications are as follows:

Name	Meaning	Description	Data type
UnitProxy	Lower level NX Unit	NX Unit where the status of the current error is <i>Level</i>	<code>_sNXUNIT_ID</code>
NodeAdr	Node address	Node address of the Communications Coupler Unit	UINT
IPAdr	IP address	IP address of the Communications Coupler Unit	BYTE[5]
UnitNo	Unit number	Unit number of the NX Unit	UDINT
Path	Path	Path information to the NX Unit	BYTE[64]
PathLength	Valid <i>Path</i> length	Valid <i>Path</i> length	USINT

Pass a `_sNXUNIT_ID` structure variable that is created in the variable table to *UnitProxy*.

## Related System-defined Variables

Name	Meaning
<code>_NXB_ErrSta</code>	NX Bus Function Module Error Status
<code>_NXB_MstrErrSta</code>	NX Bus Function Module Master Error Status
<code>_NXB_UnitErrSta[1] to [63]</code>	NX Bus Function Module Unit Error Status

## Additional Information

If you execute this instruction on the Simulator, this instruction always returns No error, and *Out* changes to FALSE, *Level* changes to 0, and the value of *UnitProxy* is undefined.

# GetNXUnitError

The GetNXUnitError instruction gets the highest level status and highest level event code of the current Controller errors in the NX Bus Function Module of the NX-series CPU Unit or NX Units.

Instruction	Name	FB/ FUN	Graphic expression	ST expression
GetNXUnitError	Get NX Unit Error Status	FB		GetNXUnitError_instance(Execute, UnitProxy, TimeOut, Done, Busy, Error, ErrorID, ErrorIDEx, Level, Code);



### Precautions for Correct Use

You can use this instruction for the NX502 CPU Unit, NX102 CPU Unit, and NX1P2 CPU Unit.

## Variables

	Meaning	I/O	Description	Valid range	Unit	Default
UnitProxy	Specified Unit	Input	Specifies the target NX Unit.	---	---	*1
TimeOut	Timeout time		Timeout time If 0 is set, the timeout time is 2.0 s.	0 to 60000	ms	2000 (2.0 s)
Level	Highest level status	Output	Status of the current error with the highest level 0: No error 2: Partial fault level 3: Minor fault level	0, 2, or 3	---	---
Code	Highest level event code		Highest level event code of all the current errors	16#00000000, 16#00070000 to 16#FFFFFFF		

\*1. If you omit an input parameter, the default value is not applied. A building error will occur.

	Boo lean	Bit strings					Integers							Real num- bers		Times, durations, dates, and text strings					
	BOOL	BYTE	WORD	DWORD	LWORD	USINT	UINT	UDINT	ULINT	SINT	INT	DINT	LINT	REAL	LREAL	TIME	DATE	TOD	DT	STRING	
UnitProxy																					
TimeOut							OK														
Level							OK														
Code				OK																	

## Function

The GetNXUnitError instruction outputs the highest level status (partial fault or minor fault) and highest level event code of the current Controller errors in the NX Bus Function Module and NX Units, as well as the lower level NX Units from which to get the data.

This instruction applies to the NX502 CPU Unit, NX102 CPU Unit, NX1P2 CPU Unit and NX Unit connected to the NX bus on the CPU Unit.

The Unit from which to get data is specified with *UnitProxy*.

The instruction is completed when the value of *Done* changes to TRUE.

The data type of *UnitProxy* is structure `_sNXUNIT_ID`. The specifications are as follows:

Name	Meaning	Description	Data type
UnitProxy	Specified Unit	Specified Unit	_sNXUNIT_ID
NodeAdr	Node address	Node address of the Communications Coupler Unit	UINT
IPAdr	IP address	IP address of the Communications Coupler Unit	BYTE[5]
UnitNo	Unit number	Unit number of the specified Unit	UDINT
Path	Path	Path information to the specified Unit	BYTE[64]
PathLength	Valid <i>Path</i> length	Valid <i>Path</i> length	USINT

Pass a device variable that is assigned to the specified Unit to *UnitProxy*.

*TimeOut* specifies the timeout time. If a response does not return within the timeout time, it judges that communications failed.

*Level* gives the status of the current error with the highest level.

*Code* gives the event code of the current error with the highest level. If errors of the same level occur in more than one Unit, it gives the oldest event code. If there is no error, it gives 16#00000000.

## Specified NX Unit and Variable Values

The values output to in-out and output variables vary depending on the specified NX Unit.

The relationship between the specified NX Unit and the value of each variable is shown in the following table.

Specified Unit	NX502 CPU Unit NX102 CPU Unit NX1P2 CPU Unit	NX Unit on CPU Unit
Value of <i>Level</i>	Highest level status of CPU Unit	Highest level status of NX Unit
Value of <i>Code</i>	If there are more than one error: Highest level event code If there are more than one error in the same <i>Level</i> : Oldest event code If there is no error: 16#0000_0000	

## Combined Use with the GetNXBError Instruction

In the user program, normally use the GetNXBError (Get NX Bus Error Status) instruction to monitor if there are errors on the NX bus.

When the *Level* output variable of the GetNXBError instruction is other than 0, the value that indicates the NX Unit with the highest event level is stored in *UnitProxy* of the instruction.

To get *Level* and *Code* of the NX Unit where the error occurred, execute the GetNXUnitError instruction.

## Related System-defined Variables

Name	Meaning
_NXB_UnitErrFlagTbl	NX Unit Error Status

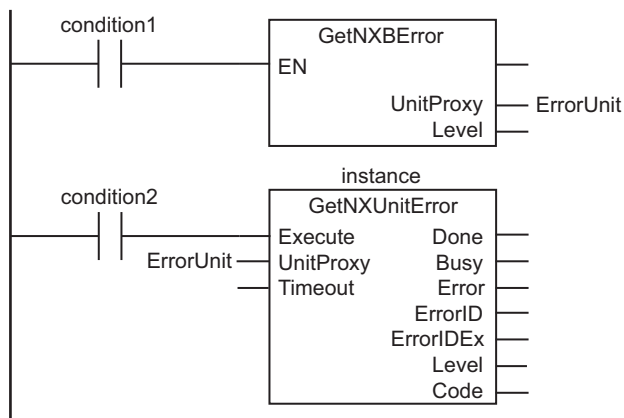
## Additional Information

### Parameters to Be Passed to *UnitProxy*

The following explains parameters to be passed to the *UnitProxy* input variable.

#### ● Using Only the User Program to Pass Parameters to *UnitProxy*

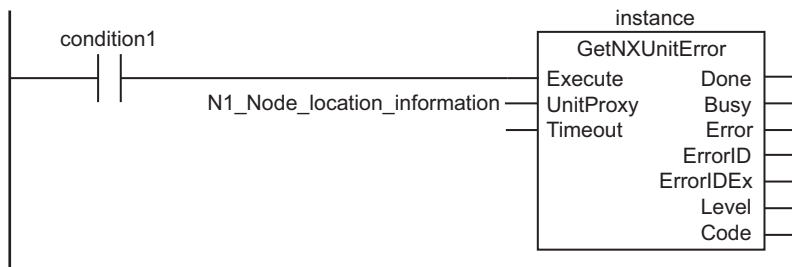
To *UnitProxy* of the GetNXUnitError instruction, pass the value of *ErrorUnit*; it contains the value of *UnitProxy* you get with the GetNXBError instruction sent to the NX Bus Function Module.



#### ● Using the Device Variable to Pass Parameters to *UnitProxy*

Create a device variable that specifies the Unit on the NX bus and pass it to *UnitProxy* of this instruction.

External variables	Variable	Data type	Constant	Comment
	N1_Node_location_information	_sNXUNIT_ID	☑	



## Run in the Simulator

When this instruction is executed and changes the value of *Execute* from FALSE to TRUE, the values for the related variables will change as shown below.

Output variable	Meaning
Done	TRUE
Busy	FALSE
Error	FALSE
ErrorID	0
ErrorIDEx	0
Level	0
Code	0

## Precautions for Correct Use

- Execution of this instruction is continued until completed even when the value of *Execute* changes to FALSE or the execution time exceeds the task period. The value of *Done* changes to TRUE when processing is completed. Use this to confirm normal completion of the processing.
- Refer to *Using this Section* on page 2-3 for a timing chart for *Execute*, *Done*, *Busy*, and *Error*.
- A compiling error will occur if you use this instruction in an event task. Do not use this instruction in event tasks.
- You cannot execute this instruction more than once at the same time. Only one instance can be executed at a time.
- *Error* will change to TRUE if an error occurs. The meanings of the values of *ErrorID* and *ErrorIDEx* are given in the following table.

Value of <i>ErrorID</i>	Value of <i>ErrorIDEx</i>	Description
16#0400	16#00000000	<ul style="list-style-type: none"> <li>• The value of <i>UnitProxy</i> is outside the valid range.</li> <li>• The value of <i>TimeOut</i> is outside the valid range.</li> </ul>
16#041A	16#00000000	While this instruction was being executed, it was executed again.
16#2C00	16#00000401	The specified Unit does not support the instruction.
	16#00001001	An input parameter, output parameter, or in-out parameter is incorrect. Confirm that the intended parameter is used for the input parameter, output parameter, or in-out parameter.
	16#00001002	
	16#00170000	
	16#00200000	
	16#00210000	
	16#00001010	The data size of the specified NX object does not agree with the data size specified in <i>WriteDat</i> .

Value of <i>ErrorID</i>	Value of <i>ErrorIDEx</i>	Description
	16#00001101	The Unit is not correct. Check the Unit.
	16#0000110B	The size of the read data is too large. Make sure that the read data specification is correct.
	16#00001110	There is no object that corresponds to the value of <i>Obj.Index</i> .
	16#00001111	There is no object that corresponds to the value of <i>Obj.Subindex</i> .
	16#00002101	The specified NX object cannot be written.
	16#00002110	The value of <i>WriteDat</i> exceeds the range of values for the NX object to write.
	16#00002210	The specified Unit is not in a mode that allows writing data.
	16#00002213	Instruction execution was not possible because the specified Unit was performing an I/O check. Execute the instruction after the I/O check is completed.
	16#00002230	The status of the specified Unit does not agree with the value of the read source or write destination NX object. Take the following actions if the value of <i>Obj.Index</i> is between 0x6000 and 0x6FFF or between 0x7000 and 0x7FFF. <ul style="list-style-type: none"> <li>• Delete the read source or write designation NX object from the I/O allocation settings.</li> <li>• Reset the error for the specified Unit.</li> <li>• Place the specified Unit in a mode that does not allow writing data.</li> </ul>
	16#00002231	Instruction execution was not possible because the specified Unit was performing initialization. Wait for the Unit to start normal operation and then execute the instruction.
	16#0000250F	Hardware access failed. Execute the instruction again.
	16#00002601 16#00002602 16#00100000	The specified Unit does not support this instruction. Check the version of the Unit.
	16#00002603	Execution of the instruction failed. Execute the instruction again. Make sure that at least one channel is <b>Enabled</b> in the selection of the channels to use.
	16#00002621	The NX Unit is not in a status in which it can acknowledge the instruction. Wait for a while and then execute the instruction again.
	16#00010000	The specified Unit does not exist. Make sure that the Unit configuration is correct.
	16#00110000	The specified port number does not exist. Make sure that the Unit configuration is correct.
	16#00120000 16#00130000 16#00150000 16#00160000	The value of <i>UnitProxy</i> is not correct. Set the variable that indicates the specified EtherCAT Coupler Unit again.
	16#00140000	The specified node address is not correct. Make sure that the Unit configuration is correct.
	16#00300000 16#80010000	The specified Unit is busy. Execute the instruction again.

Value of <i>ErrorID</i>	Value of <i>ErrorIDEx</i>	Description
	16#00310000	The specified Unit is not supported for connection. Check the version of the Unit.
	16#80000000 16#80050000 16#81010000 16#81020000 16#82020000 16#82030000 16#82060000 to 16#8FFF0000 16#90010000 to 16#FFFE0000	An error occurred in the communications network. Execute the instruction again.
	16#80020000 16#80030000 16#81030000 16#82000000	An error occurred in the communications network. Reduce the amount of communications traffic.
	16#80040000 16#81000000 16#82010000 16#82040000 16#82050000 16#90000000	An error occurred in the communications network. Check the Unit and cable connections. Make sure that the power supply to the Unit is ON.
16#2C02	16#00000000	A timeout occurred during communications.

## Sample Programming

This sample passes the Unit, level, and code values to variables for display on a touch panel if an error occurs on the NX bus.

The system configuration is as shown below.

Assume that three NX Units are connected to an NX1P2 CPU Unit.

## Device Variables

NX Units	Device Variable
1st NX Unit	N1_Node_location_information
2nd NX Unit	N2_Node_location_information
3rd NX Unit	N3_Node_location_information

## Definitions of Global Variables

### ● Global Variables

Variable	Data type	Constant	Comment
N1_Node_location_information	_sNXUNIT_ID	<input checked="" type="checkbox"/>	
N2_Node_location_information	_sNXUNIT_ID	<input checked="" type="checkbox"/>	

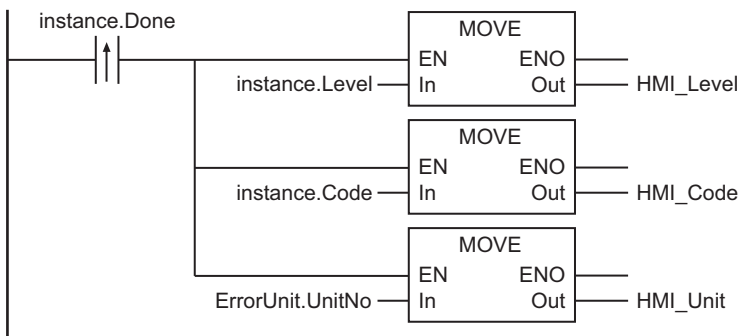
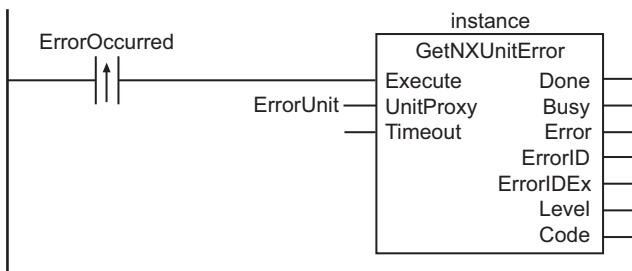
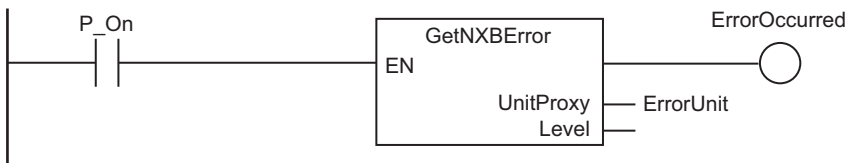


Variable	Data type	Constant	Comment
N3_Node_location_information	_sNXUNIT_ID	☑	
HMI_Level *1	UINT	☐	
HMI_Code *1	DWORD	☐	
HMI_Unit *1	UDINT	☐	

\*1. The variables that begin with *HMI\_* are variables for display on a touch panel.

**LD**

Internal variables	Variable	Data type	Constant	Comment
	instance	GetNXUnitError	☐	
	ErrorOccurred	BOOL	☐	
	ErrorUnit	_sNXUNIT_ID	☐	



# ResetXBUUnitError

Resets Controller errors in the X Bus Function Module of the CPU Unit or in the Unit on the X Bus.

Instruction	Name	FB/F UN	Graphic expression	ST expression
ResetXBUUnitError	Reset X Bus Unit Error	FB		ResetXBUUnitError_instance(Execute, UnitProxy, TimeOut, Done, Busy, Error, ErrorID);



## Precautions for Correct Use

You can use this instruction for the NX502 CPU Unit.

## Variables

	Name	I/O	Description	Valid range	Unit	Default
UnitProxy	Specified Unit	Input	Specifies the Unit for which to reset errors.	Depends on data type.	---	*1
TimeOut	Response monitoring time		Response monitoring time If 0 is set, the response monitoring time is 2.0 s.	0 to 60000	ms	2000

\*1. If you omit an input parameter, the default value is not applied. A building error will occur.

	Boo lean	Bit strings					Integers							Real numbers		Times, durations, dates, and text strings					
	BOOL	BYTE	WORD	DWORD	LWORD	USINT	UINT	UDINT	ULINT	SINT	INT	DINT	LINT	REAL	LREAL	TIME	DATE	TOD	DT	STRING	
UnitProxy																					
TimeOut							OK														

## Function

The ResetXBUUnitError instruction resets a Controller error in the X Bus Function Module of the CPU Unit or in the X Bus Unit when *Execute* changes from FALSE to TRUE.

Error reset processing is executed over more than one task period because it takes time to complete error reset. The *Busy* output variable changes to TRUE in the task period of instruction execution. After an error is reset, the *Busy* output variable changes to FALSE and the *Done* output variable changes to TRUE.

If this instruction is executed again in a different instance from the instance for which error reset processing is in progress, the latter instruction will result in an error.

The *Error* output variable of the latter command changes to TRUE and the error code (Multi-execution of Instructions: 041A) is output to the *ErrorID* output variable.

The data type of *UnitProxy* is structure `_sXBU_ID`. The specifications are as follows:

Name	Meaning	Description	Data type
UnitProxy	Specified Unit	Specified Unit	<code>_sXBU_ID</code>
	UnitNo	Unit number of the specified Unit	UINT

## Precautions for Correct Use

- You cannot use this instruction in an event task. A building error will occur.
- *Error* changes to TRUE if an error occurs. The meanings of the values of *ErrorID* are given in the following table.

Value of <i>ErrorID</i>	Error name	Description
16#0400	Input Value Out of Range	<ul style="list-style-type: none"> <li>• The value of <i>UnitProxy</i> is outside the valid range.</li> <li>• The value of <i>TimeOut</i> is outside the valid range.</li> </ul>
16#041A	Multi-execution of Instructions	While this instruction was being executed, it was executed again.
16#5800	X Bus Unit Does Not Exist	The specified X Bus Unit does not exist.
16#5801	Response Timeout	A timeout occurred during communications. *1

\*1. Indicates communications between the X Bus Unit and CPU Unit.

# GetXBError

Gets the highest level status of the Controller errors in the X Bus Function Module of the CPU Unit and in the X Bus Unit.

Instruction	Name	FB/F UN	Graphic expression	ST expression
GetXBError	Get X Bus Error Status	FUN		Out := GetXBError(UnitProxy, Level);



## Precautions for Correct Use

You can use this instruction for the NX502 CPU Unit.

## Variables

	Meaning	I/O	Description	Valid range	Unit	Default
Out	Error flag	Output	TRUE: Error exists in the X Bus Unit. FALSE: No error in the X Bus Unit.	TRUE or FALSE	---	---
UnitProxy	Specified Unit		X Bus Unit where the status of the current error is <i>Level</i> *1	Depends on data type.		
Level	Highest level status		Status of the current error with the highest level in the X Bus Unit 0: No error 2: Partial fault level 3: Minor fault level	0, 2, or 3		

\*1. If there are more than one error in the same level, it returns *UnitProxy* of the X Bus Unit that is closest to the CPU Unit. The value is undefined if there is no Controller error.

	Boo lean	Bit strings				Integers							Real numbers		Times, durations, dates, and text strings					
	BOOL	BYTE	WORD	DWORD	LWORD	USINT	UINT	UDINT	ULINT	SINT	INT	DINT	LINT	REAL	LREAL	TIME	DATE	TOD	DT	STRING
Out	OK																			
UnitProxy	Refer to <i>Function</i> on page 2-922 for details on the structure <i>_sXBU_ID</i> .																			
Level						OK														

## Function

The GetXBError instruction gets the highest level status (partial fault or minor fault) of the current Controller errors in the X Bus Function Module of the CPU Unit and in the Unit on the X Bus.

The value of *Out* is TRUE if there is an error and FALSE if there is no error in the X Bus Function Module of the CPU Unit and in the X Bus Unit.

*Level* gives the status of the current error with the highest level in the X Bus Function Module of the CPU Unit and in the X Bus Unit.

*UnitProxy* returns *UnitProxy* of the X Bus Function Module and X Bus Unit of the CPU Unit where the status of the current error is *Level*. If errors of the same level occur in more than one Unit, it returns *UnitProxy* of the Unit that is closest to the CPU Unit and has the lowest unit number.

The data type of *UnitProxy* is structure `_sXBU_ID`. The specifications are as follows:

Name	Meaning	Description	Data type
UnitProxy	Specified Unit	Specified Unit	<code>_sXBU_ID</code>
UnitNo	Unit number	Unit number of the specified Unit	UINT

# GetXBUUnitError

Gets the highest level status and highest level event code of the current Controller errors in the X Bus Function Module of the CPU Unit or in the Unit on the X Bus.

Instruction	Name	FB/F UN	Graphic expression	ST expression
GetXBUUnitError	Get X Bus Unit Error Status	FB	<pre> graph LR     subgraph GetXBUUnitError_instance [GetXBUUnitError_instance]         subgraph GetXBUUnitError [GetXBUUnitError]             Execute --- Done             UnitProxy --- Busy             TimeOut --- Error             ErrorID --- ErrorIDEx             Level --- Level             Code --- Code         end     end </pre>	GetXBUUnitError_instance(Execute, UnitProxy, TimeOut, Done, Busy, Error, ErrorID, ErrorIDEx, Level, Code);



## Precautions for Correct Use

You can use this instruction for the NX502 CPU Unit.

## Variables

	Name	I/O	Description	Valid range	Unit	Default
UnitProxy	Specified Unit	Input	Specifies the target CPU Unit and X Bus Unit.	Depends on data type.	---	*1
TimeOut	Response monitoring time		Response monitoring time If 0 is set, the response monitoring time is 2.0 s.	0 to 60000	ms	2000
Level	Highest level status	Output	Status of the current error with the highest level 0: No error 2: Partial fault level 3: Minor fault level	0, 2, or 3	---	---
Code	Highest level event code		Event code of the current error with the highest level	16#00000000, 16#00070000 to 16#FFFFFFF		

\*1. If you omit an input parameter, the default value is not applied. A building error will occur.

	Boo lean	Bit strings					Integers							Real numbers		Times, durations, dates, and text strings					
	BOOL	BYTE	WORD	DWORD	LWORD	USINT	UINT	UDINT	ULINT	SINT	INT	DINT	LINT	REAL	LREAL	TIME	DATE	TOD	DT	STRING	
UnitProxy																					Refer to <i>Function</i> on page 2-925 for details on the structure <code>_sXBU_ID</code> .
TimeOut							OK														

	Boo lean	Bit strings				Integers								Real num- bers		Times, durations, dates, and text strings				
	BOOL	BYTE	WORD	DWORD	LWORD	USINT	UINT	UDINT	ULINT	SINT	INT	DINT	LINT	REAL	LREAL	TIME	DATE	TOD	DT	STRING
Level							OK													
Code				OK																

## Function

The GetXBUnitError instruction outputs the highest level status (partial fault or minor fault) and highest level event code of the current errors in the X Bus Function Module of the CPU Unit and current Controller errors in the X Bus Unit.

This instruction applies to the NX502 CPU Unit and X Bus Unit connected to the X Bus on the CPU Unit.

The Unit from which to get data is specified with *UnitProxy*.

The instruction is completed when the value of *Done* changes to TRUE.

The data type of *UnitProxy* is structure `_sXBU_ID`. The specifications are as follows:

Name	Meaning	Description	Data type
UnitProxy	Specified Unit	Specified Unit	<code>_sXBU_ID</code>
UnitNo	Unit number	Unit number of the specified Unit	UINT

*TimeOut* specifies the response monitoring time. If a response does not return within the response monitoring time, it judges that communications failed.

*Level* gives the status of the current error with the highest level.

*Code* gives the event code of the current error with the highest level. If errors of the same level occur in more than one Unit, it gives the oldest event code. If there is no error, it gives 16#00000000.

## Specified Unit and Variable Values

The values output to output variables vary depending on the specified Unit.

The relationship between the specified Unit and the value of each variable is shown in the following table.

Specified Unit	NX502 CPU Unit	X Bus Unit on the CPU Unit
<b>Value of <i>Level</i></b>	Highest level status of the error in the X Bus Function Module of CPU Unit	Highest level status of X Bus Unit
<b>Value of <i>Code</i></b>	If there are more than one error: Highest level event code If there are more than one error in the same <i>Level</i> : Oldest event code If there is no error: 16#0000_0000	

## Combined Use with the GetXBError Instruction

In the user program, normally use the GetXBError (Get X Bus Error Status) instruction to monitor if there are errors on the X Bus including the CPU Unit.

When the *Level* output variable of the GetXBError instruction is other than 0, the value that indicates the X Bus Unit with the highest event level is stored in *UnitProxy* of the instruction.

To get *Level* and *Code* of the X Bus Unit where the error occurred, execute the GetXUnitError instruction.

## Precautions for Correct Use

- Execution of this instruction is continued until processing is completed even if the value of *Execute* changes to FALSE or the execution time exceeds the task period. The value of *Done* changes to TRUE when processing is completed. Use this to confirm normal completion of the processing.
- Refer to *Using this Section* on page 2-3 for a timing chart for *Execute*, *Done*, *Busy*, and *Error*.
- A compiling error will occur if you use this instruction in an event task. Do not use this instruction in event tasks.
- You cannot execute this instruction more than once at the same time. Only one instance can be executed at a time.

You can use the GetXBError (Get X Bus Error Status) and GetXBUnitError (Get X Bus Unit Error Status) instructions at the same time.

- *Error* changes to TRUE if an error occurs. The meanings of the values of *ErrorID* and *ErrorIDEx* are given in the following table.

Value of <i>ErrorID</i>	Value of <i>ErrorIDEx</i>	Description
16#0400	16#00000000	<ul style="list-style-type: none"> <li>• The value of <i>UnitProxy</i> is outside the valid range.</li> <li>• The value of <i>TimeOut</i> is outside the valid range.</li> </ul>
16#041A	16#00000000	While this instruction was being executed, it was executed again.
16#5800	16#00000000	The specified X Bus Unit does not exist.
16#5801	16#00000000	A timeout occurred during communications. <sup>*1</sup>

\*1. Indicates communications between the X Bus Unit and CPU Unit.



# SetInfo

The SetInfo instruction creates user-defined information.

Instruction	Name	FB/ FUN	Graphic expression	ST expression
SetInfo	Create User-defined Information	FUN		SetInfo(Code, Info1, Info2);

## Variables

	Meaning	I/O	Description	Valid range	Unit	Default
Code	Event code	Input	Event code of user-defined information to generate	40001 to 60000	---	40001
Info1	Attached information 1		Values recorded in event log when the user-defined information is generated	Depends on data type.		*1
Info2	Attached information 2					
Out	Return value	Output	Always TRUE	TRUE only	---	---

\*1. If you omit the input parameter, the default value is not applied. A building error will occur.

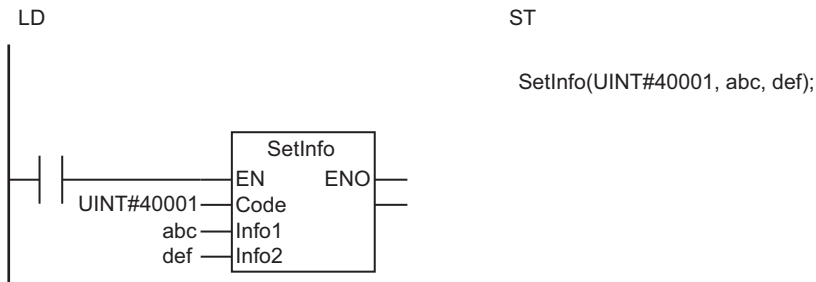
	Boo lean	Bit strings				Integers								Real num- bers		Times, durations, dates, and text strings				
	BOOL	BYTE	WORD	DWORD	LWORD	USINT	UINT	UDINT	ULINT	SINT	INT	DINT	LINT	REAL	LREAL	TIME	DATE	TOD	DT	STRING
Code							OK													
Info1	OK	OK	OK	OK	OK	OK	OK	OK	OK	OK	OK	OK	OK	OK	OK	OK	OK	OK	OK	
Info2	OK	OK	OK	OK	OK	OK	OK	OK	OK	OK	OK	OK	OK	OK	OK	OK	OK	OK	OK	
Out	OK																			

## Function

The SetInfo instruction generates the user-defined information specified by event code *Code*.

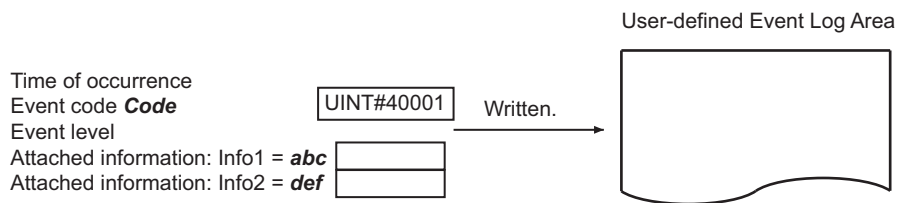
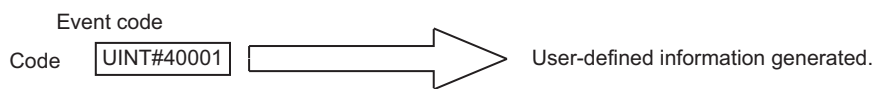
The time of occurrence, event code *Code*, event level, attached information *Info1*, and attached information *Info2* are stored in the user event log area that corresponds to the level of the event code.

The following figure shows a programming example. User-defined information for event code 40001 is generated. The values of variables *abc* and *def* are stored as attached information.



The SetInfo instruction generates the user-defined information specified by event code **Code**.

Also, the time of occurrence, event code **Code**, event level, attached information **Info1**, and attached information **Info2** are stored in the user event log area that corresponds to the level of the event code.



### Precautions for Correct Use

- Always use variables for the input parameters that are passed to *Info1* and *Info2*. If the attached information is not used, specify a dummy variable. A building error will occur if a constant is specified.
- Return value *Out* is not used when the instruction is used in ST.
- An error will occur in the following case. *ENO* will be FALSE.
  - a) The value of *Code* is outside the valid range.

# ResetUnit

The ResetUnit instruction restarts a CPU Bus Unit or Special I/O Unit.

Instruction	Name	FB/ FUN	Graphic expression	ST expression
ResetUnit	Restart Unit	FB		ResetUnit_instance(Execute, UnitNo, Done, Busy, Error, ErrorID);



## Precautions for Correct Use

You cannot use this instruction with NX-series CPU Units.

## Variables

	Meaning	I/O	Description	Valid range	Unit	Default
UnitNo	Unit number	Input	Unit number of Unit to restart	_CBU_No00 to _CBU_No15, _SIO_No00 to _SIO_No95	---	_CBU_No00

	Boo lean	Bit strings					Integers							Real num- bers		Times, durations, dates, and text strings				
	BOOL	BYTE	WORD	DWORD	LWORD	USINT	UINT	UDINT	ULINT	SINT	INT	DINT	LINT	REAL	LREAL	TIME	DATE	TOD	DT	STRING
UnitNo		Refer to <i>Function</i> on page 2-929 for the enumerators of enumeration type <code>_eUnitNo</code> .																		

## Function

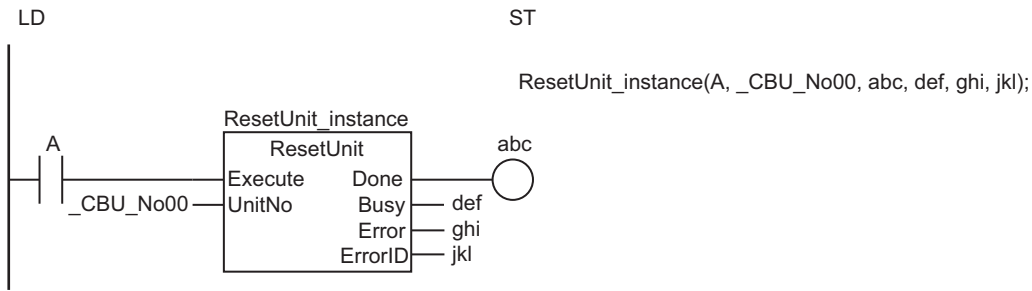
The ResetUnit instruction restarts a CPU Bus Unit or Special I/O Unit.

Specify *UnitNo* for the Unit to be restarted.

The data type of *UnitNo* is enumerated type `_eUnitNo`. The meanings of the enumerators are as follows:

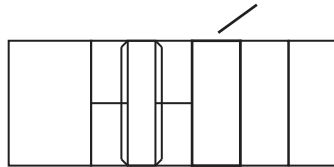
Enumerators	Meaning
_CBU_No00 to _CBU_No15	Unit number of CPU Bus Unit, 00 to 15
_SIO_No00 to _SIO_No95	Unit number of Special I/O Unit, 00 to 95

The following example is for when *UnitNo* is `_CBU_No00`. CPU Bus Unit with unit number 0 is restarted.



The ResetUnit instruction restarts the CPU Bus Unit or Special I/O Unit with **UnitNo**.

**UnitNo** = \_CBU\_No00: CPU Bus Unit with unit number 0 is restarted.



## Precautions for Correct Use

- This instruction will not end in an error even if restart processing is in progress for the Unit specified by *UnitNo*. The value of *Busy* remains TRUE, and the value of *Done* changes to TRUE when restart processing is finished. Restart requests are not queued.
- The Unit is restarted if the value of *Execute* is TRUE when operation starts.
- An error will occur in the following cases. *Error* will change to TRUE.
  - a) The value of *UnitNo* is outside the valid range.
  - b) The Unit specified with *UnitNo* does not exist.
  - c) Restart processing failed.

## Sample Programming

When the value of *Trigger* changes to TRUE, the baud rate of serial port 1 on the Serial Communications Unit with a unit number of 0 is set to 38,400 bps and the Unit is restarted.

## Definitions of Global Variables

### ● Global Variables

Name	Data type	Initial value	AT specification*1	Retain	Comment
SCU_P1_BaudrateCfg	USINT	0	IOBus://rack#0/slot#0/P1_BaudrateCfg	☑	Baud rate

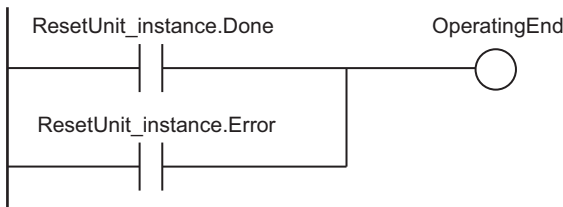
\*1. AT when the Serial Communications Unit is mounted to slot number 0 in rack number 0

**LD**

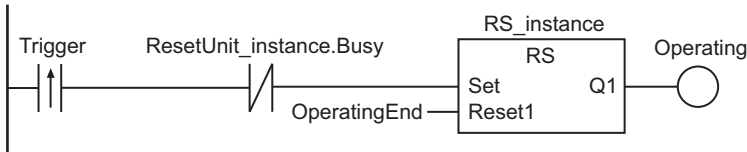
Internal Variables	Variable	Data type	Initial value	Comment
	OperatingEnd	BOOL	FALSE	Processing completed
	Trigger	BOOL	FALSE	Execution condition
	Operating	BOOL	FALSE	Processing
	RS_instance	RS		
	ResetUnit_instance	ResetUnit		

External Variables	Variable	Data type	Comment
	SCU_P1_BaudrateCfg	USINT	Baud rate

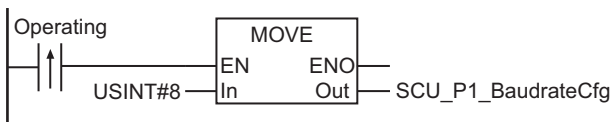
Determine if execution of the ResetUnit has ended.



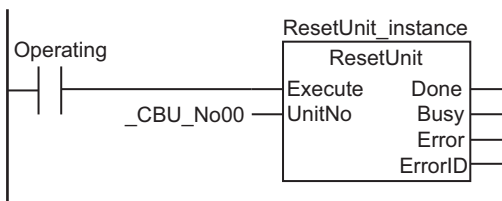
Accept trigger.



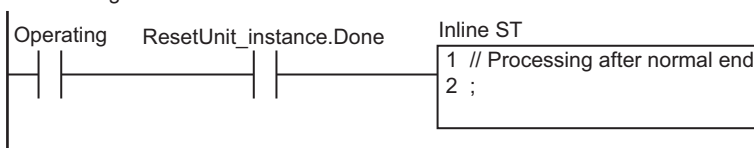
Set baud rate in device variable.

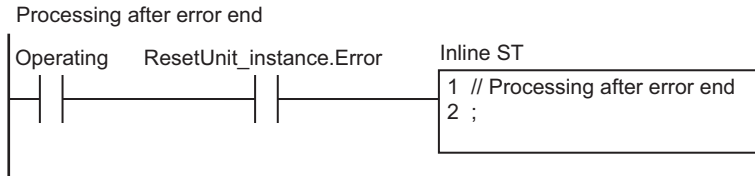


Execute ResetUnit instruction.



Processing after normal end





### ST

Internal Variables	Variable	Data type	Initial value	Comment
	Trigger	BOOL	FALSE	Execution condition
	LastTrigger	BOOL	FALSE	Value of Trigger from previous task period
	OperatingStart	BOOL	FALSE	Processing started
	Operating	BOOL	FALSE	Processing
	ResetUnit_instance	ResetUnit		

External Variables	Variable	Data type	Comment
	SCU_P1_BaudrateCfg	USINT	Baud rate

```

// Detect when Trigger changes to TRUE.
IF ( (Trigger=TRUE) AND (LastTrigger=FALSE) AND (ResetUnit_instance.Busy=FALSE) ) THEN
  OperatingStart:=TRUE;
  Operating:=TRUE;
END_IF;
LastTrigger:=Trigger;

// Initialize ResetUnit_instance and set baud rate in device variable.
IF (OperatingStart=TRUE) THEN
  ResetUnit_instance(Execute:=FALSE);
  SCU_P1_BaudrateCfg:=USINT#8;
  OperatingStart:=FALSE;
END_IF;

// Execute ResetUnit instruction.
IF (Operating=TRUE) THEN
  ResetUnit_instance(
    Execute:=TRUE, // Execution condition
    UnitNo :=_CBU_No00); // Unit number

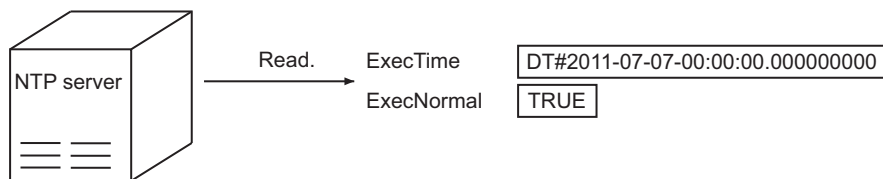
  IF (ResetUnit_instance.Done=TRUE) THEN
    // Processing after normal end
    Operating:=FALSE;
  END_IF;
END_IF;
  
```

```
IF (ResetUnit_instance.Error=TRUE) THEN
  // Processing after error end
  Operating:=FALSE;
END_IF;
END_IF;
```





The GetNTPStatus instruction reads the NTP status.  
The values of **ExecTime** and **ExecNormal** will be as follows when the last normal NTP operation was at 00:00.00 on July 7, 2011.



## Related System-defined Variables

Name	Meaning	Data type	Description
_EIP_NTPResult	NTP Status	_sNTP_RESULT	Contains the NTP status.*1

\*1. Refer to the *NJ/NX-series CPU Unit Software User's Manual (Cat. No. W501)* for details.

## Precautions for Correct Use

- Return value *Out* is not used when this instruction is used in ST.
- This instruction reads the contents of the `_EIP_NTPResult` system-defined variable. You cannot access this variable directly. Always use this instruction to read the contents of the variable.

# RestartNXUnit

The RestartNXUnit instruction restarts an EtherCAT Coupler Unit or NX Units.

Instruction	Name	FB/ FUN	Graphic expression	ST expression
RestartNXUnit	Restart NX Unit	FB		RestartNXUnit_instance(Execute, UnitProxy, Done, Busy, Error, ErrorID, ErrorIDEx);



## Version Information

A CPU Unit with unit version 1.05 or later and Sysmac Studio version 1.06 or higher are required to use this instruction.

However, some versions/unit versions of the following products do not support the function of *restarting specified NX Units*.

- CPU Units
- Sysmac Studio
- EtherCAT Coupler Units
- NX Units

If the unit version of a product does not support the function of *restarting specified NX Units*, you can specify only the EtherCAT Coupler Unit as the Unit to restart.

Refer to the *NX-series EtherCAT Coupler Unit User's Manual* (Cat. No. W519-E1-03 or later) for the unit versions of products that support the function of *restarting specified NX Units*.

## Variables

	Meaning	I/O	Description	Valid range	Unit	Default
UnitProxy	Specified Unit	Input	A Unit to restart: EtherCAT Coupler Unit, NX Bus Function Module or NX Unit	---	---	*1

\*1. If you omit the input parameter, the default value is not applied. A building error will occur.

	Boo lean	Bit strings				Integers							Real num- bers		Times, durations, dates, and text strings					
	BOOL	BYTE	WORD	DWORD	LWORD	USINT	UINT	UDINT	ULINT	SINT	INT	DINT	LINT	REAL	LREAL	TIME	DATE	TOD	DT	STRING
UnitProxy	Refer to <i>Function</i> on page 2-936 for details on the structure <code>_sNXUNIT_ID</code> .																			

## Function

The RestartNXUnit instruction restarts an EtherCAT Coupler Unit or an NX Unit on the EtherCAT Coupler Unit, and an NX Unit connected to the NX bus on the NX Bus Function Module or on the CPU Unit.

You can use it to restart a specified Unit independently.

However, you cannot restart an EtherCAT Coupler Unit or NX Bus Function Module independently. If you specify an EtherCAT Coupler Unit or NX Bus Function Module, all of the NX Units that are connected to it are also restarted.

The Unit to restart is specified with *UnitProxy*.

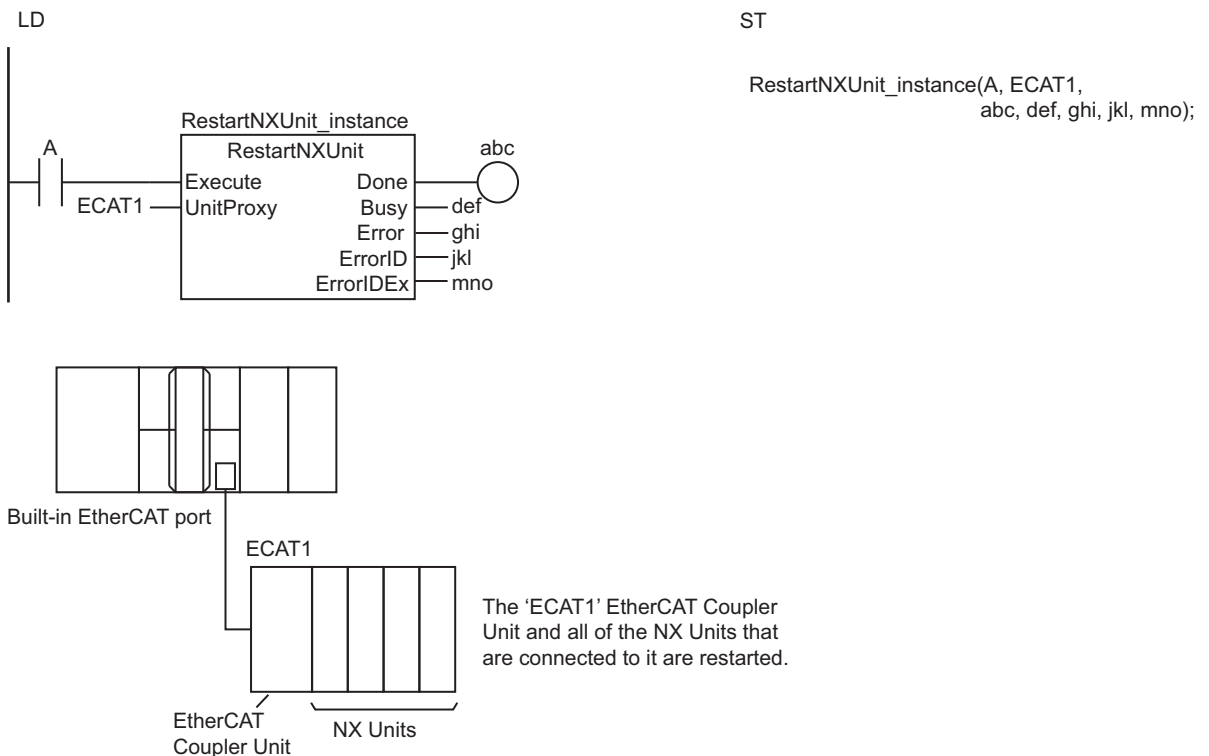
The data type of *UnitProxy* is structure `_sNXUNIT_ID`. The meanings of the members are as follows:

Name	Meaning	Content	Data type
UnitProxy	Specified Unit	Specified Unit	<code>_sNXUNIT_ID</code>
NodeAdr	Node address	Node address of the Communications Coupler Unit	UINT
IPAdr	IP address	IP address of the Communications Coupler Unit	BYTE[5]
UnitNo	Unit number	Unit number of specified Unit	UDINT
Path	Path	Path information to the specified Unit	BYTE[64]
PathLength	Valid <i>Path</i> length	Valid <i>Path</i> length	USINT

To *UnitProxy*, pass the device variable that is assigned to the specified EtherCAT Coupler Unit or an NX Unit on the EtherCAT Coupler Unit, and an NX Unit connected to the NX bus on the NX Bus Function Module or on the CPU Unit.

## Notation Example

The following example shows a case of restarting all EtherCAT Slave Terminals. A variable that is named *ECAT1* with a data type of `_sNXUNIT_ID` is assigned to the EtherCAT Coupler Unit.



## Related System-defined Variables

Name	Meaning	Data type	Description
<code>_EC_MBXSlaVTbl[i]</code> "i" is the node address.	Message Communications Enabled Slave Table	BOOL	This variable indicates whether communications are possible for each slave. TRUE: Communications are possible. FALSE: Communications are not possible.
<code>_NXB_UnitMsgActiveTbl[i]</code>	NX Unit Message Enabled Status	BOOL	This table indicates the slaves that can perform message communications. Use this variable to confirm that communications with the relevant slave are possible.

## Additional Information

You can use the following procedure to write data with the following attributes to an EtherCAT Coupler Unit, an NX Unit on the EtherCAT Coupler Unit, or an NX Unit connected to the NX bus of the CPU Unit.

- Power OFF Retain attribute
- The values are updated when the Unit is restarted.

- 1** Use the instruction, *NX\_ChangeWriteMode* on page 2-942, to change the Unit to a mode that allows writing data.
- 2** Use the instruction, *NX\_WriteObj* on page 2-1067, to write data to the Unit.
- 3** Use the instruction, *NX\_SaveParam* on page 2-948, to save the data that you wrote.
- 4** Use the *RestartNXUnit* instruction to restart the Unit.

## Precautions for Correct Use

- Execution of this instruction is continued until completed even if the value of *Execute* changes to FALSE or the execution time exceeds the task period. The value of *Done* changes to TRUE when processing is completed. Use this to confirm normal completion of the execution.
- Refer to *Using this Section* on page 2-3 for a timing chart for *Execute*, *Done*, *Busy*, and *Error*.
- If you specify a Unit that is assigned to a motion control axis (data type `_sAXIS_REF`) for *UnitProxy*, a Controller error will occur in the Motion Control Function Module. Use the Instruction, *ResetMCEr-ror* on page 2-896, to reset the Controller error.
- For *UnitProxy*, specify the device variable that is assigned to an EtherCAT Coupler Unit or an NX Unit on the EtherCAT Coupler Unit, and an NX Unit connected to the NX bus of the NX Bus Function Module or the CPU Unit in the I/O Map of the Sysmac Studio.  
Refer to the *Sysmac Studio Version 1 Operation Manual (Cat. No. W504)* for details on assigning device variables.
- If an attempt is made to execute the *RestartNXUnit* instruction during execution of another *RestartNXUnit* instruction or the *NX\_ChangeWriteMode* on page 2-942 instruction, it will be queued. Up to 192 instructions can be queued. A building error will occur if an attempt is made to queue more than 192 instructions. The time during which an instruction is queued is not included in the timeout time.
- The value of *Busy* is TRUE while the instruction is queued.

- This instruction is related to NX Message Communications Errors. If too many instructions that are related to NX Message Communications Errors are executed at the same time, an NX Message Communications Error will occur. Refer to *A-4 Instructions Related to NX Message Communications Errors* on page A-37 for a list of the instructions that are related to NX Message Communications Errors.
- You cannot execute this instruction during execution of the following instructions: EC\_DisconnectSlave, EC\_ConnectSlave, EC\_ChangeEnableSetting, ResetECError, RestartNXUnit, and NX\_ChangeWriteMode. An error will occur if you attempt to execute it.
- *Error* changes to TRUE if an error occurs. The meanings of the values of *ErrorID* and *ErrorIDEx* are given in the following table.

Value of <i>ErrorID</i>	Value of <i>ErrorIDEx</i>	Meaning
16#0419	16#00000000	The data type of <i>UnitProxy</i> is not correct.
16#2C00	16#00000401	The specified Unit does not support the instruction.
	16#00001001 16#00001002 16#00170000 16#00200000 16#00210000	An input parameter, output parameter, or in-out parameter is incorrect. Confirm that the intended parameter is used for the input parameter, output parameter, or in-out parameter.
	16#00001010	The data size of the specified NX object does not agree with the data size specified in <i>WriteDat</i> .
	16#00001101	The Unit is not correct. Check the Unit.
	16#0000110B	The size of the read data is too large. Make sure that the read data specification is correct.
	16#00001110	There is no object that corresponds to the value of <i>Obj.Index</i> .
	16#00001111	There is no object that corresponds to the value of <i>Obj.Subindex</i> .
	16#00002101	The specified NX object cannot be written.
	16#00002110	The value of <i>WriteDat</i> exceeds the range of values for the NX object to write.
	16#00002210	The specified Unit is not in a mode that allows writing data.
	16#00002213	Instruction execution was not possible because the specified Unit was performing an I/O check. Execute the instruction after the I/O check is completed.
	16#00002230	The status of the specified Unit does not agree with the value of the read source or write destination NX object. Take the following actions if the value of <i>Obj.Index</i> is between 0x6000 and 0x6FFF or between 0x7000 and 0x7FFF. <ul style="list-style-type: none"> <li>• Delete the read source or write designation NX object from the I/O allocation settings.</li> <li>• Reset the error for the specified Unit.</li> <li>• Place the specified Unit in a mode that does not allow writing data.</li> </ul>
	16#00002231	Instruction execution was not possible because the specified Unit was performing initialization. Wait for the Unit to start normal operation and then execute the instruction.
	16#0000250F	Hardware access failed. Execute the instruction again.
	16#00002601 16#00002602 16#00100000	The specified Unit does not support this instruction. Check the version of the Unit.

Value of ErrorID	Value of ErrorIDEx	Meaning
	16#00002603	Execution of the instruction failed. Execute the instruction again. Make sure that at least one channel is <b>Enabled</b> in the selection of the channels to use.
	16#00002621	The NX Unit is not in a status in which it can acknowledge the instruction. Wait for a while and then execute the instruction again.
	16#00010000	The specified Unit does not exist. Make sure that the Unit configuration is correct.
	16#00110000	The specified port number does not exist. Make sure that the Unit configuration is correct.
	16#00120000 16#00130000 16#00150000 16#00160000	The value of <i>UnitProxy</i> is not correct. Set the variable that indicates the specified EtherCAT Coupler Unit again.
	16#00140000	The specified node address is not correct. Make sure that the Unit configuration is correct.
	16#00300000 16#80010000	The specified Unit is busy. Execute the instruction again.
	16#00310000	The specified Unit is not supported for connection. Check the version of the Unit.
	16#80000000 16#80050000 16#81010000 16#81020000 16#82020000 16#82030000 16#82060000 to 16#8FFF0000 16#90010000 to 16#FFFE0000	An error occurred in the communications network. Execute the instruction again.
	16#80020000 16#80030000 16#81030000 16#82000000	An error occurred in the communications network. Reduce the amount of communications traffic.
	16#80040000 16#81000000 16#82010000 16#82040000 16#82050000 16#90000000	An error occurred in the communications network. Check the Unit and cable connections. Make sure that the power supply to the Unit is ON.
16#2C01	16#00000000	An attempt was made to queue more than 192 RestartNXUnit and NX_ChangeWriteMode instructions.
16#2C02	16#00000000	A timeout occurred during communications.
16#2C05	---	An error occurred in the EtherCAT network. Check the value of <i>UnitProxy</i> and the EtherCAT network configuration.
16#2C06	16#00000000	The specified Unit is already being restarted from the Sysmac Studio. Therefore, this instruction does not need to be executed.
16#2C07	16#00000000	A slave that cannot be specified for the instruction was connected at the slave node address of the specified Unit. Check the value of <i>UnitProxy</i> and the EtherCAT network configuration.

## Sample Programming

Refer to *Sample Programming* on page 2-1072 for the NX\_WriteObj instruction.

# NX\_ChangeWriteMode

The NX\_ChangeWriteMode instruction changes an EtherCAT Coupler Unit or NX Unit to a mode that allows writing data.

Instruction	Name	FB/ FUN	Graphic expression	ST expression
NX_Change- WriteMode	Change to NX Unit Write Mode	FB		NX_ChangeWriteMode_in- stance(Execute, UnitProxy, Done, Busy, Error, ErrorID, ErrorIDEx);



## Version Information

A CPU Unit with unit version 1.05 or later and Sysmac Studio version 1.06 or higher are required to use this instruction.

## Variables

	Meaning	I/O	Description	Valid range	Unit	Default
UnitProxy	Specified Unit	Input	Unit for which to change the mode	---	---	*1

\*1. If you omit the input parameter, the default value is not applied. A building error will occur.

	Boo lean	Bit strings				Integers							Real num- bers		Times, durations, dates, and text strings					
	BOOL	BYTE	WORD	DWORD	LWORD	USINT	UINT	UDINT	ULINT	SINT	INT	DINT	LINT	REAL	LREAL	TIME	DATE	TOD	DT	STRING
UnitProxy		Refer to <i>Function</i> on page 2-942 for details on the structure <code>_sNXUNIT_ID</code> .																		

## Function

The NX\_ChangeWriteMode instruction changes the mode for an EtherCAT Coupler Unit, an NX Unit on the EtherCAT Coupler Unit, or an NX Unit connected to the NX bus of the CPU Unit so that data can be written to the Unit.

The Unit for which to change the mode is specified with *UnitProxy*.

Data can be written when the value of *Done* changes to TRUE.

The data type of *UnitProxy* is structure `_sNXUNIT_ID`. The meanings of the members are as follows:



Name	Meaning	Content	Data type
UnitProxy	Specified Unit	Unit for which to change the write mode	_sNXUNIT_ID
NodeAdr	Node address	Node address of the Communications Coupler Unit	UINT
IPAdr	IP address	IP address of the Communications Coupler Unit	BYTE[5]
UnitNo	Unit number	Unit number of specified Unit	UDINT
Path	Path	Path information to the specified Unit	BYTE[64]
PathLength	Valid <i>Path</i> length	Valid <i>Path</i> length	USINT

To *UnitProxy*, pass the device variable that is assigned to the specified Unit.

## Related Instructions and Execution Procedure

You can use this instruction to write data with the following attributes to an EtherCAT Coupler Unit, an NX Unit on the EtherCAT Coupler Unit, or an NX Unit connected to the NX bus of the CPU Unit.

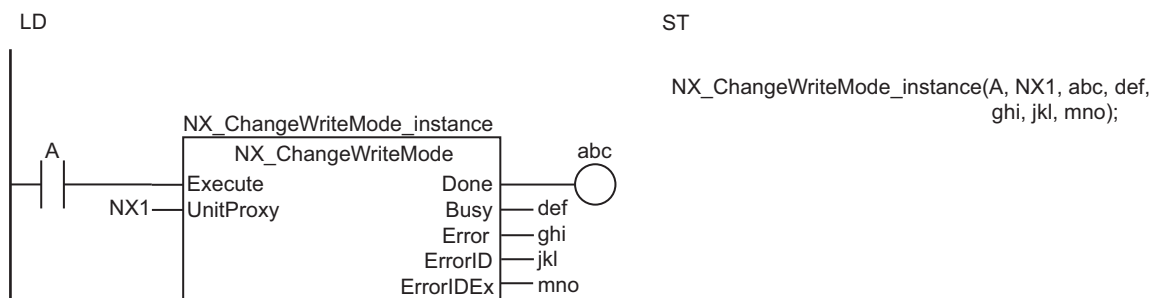
- Power OFF Retain attribute
- The values are updated when the Unit is restarted.

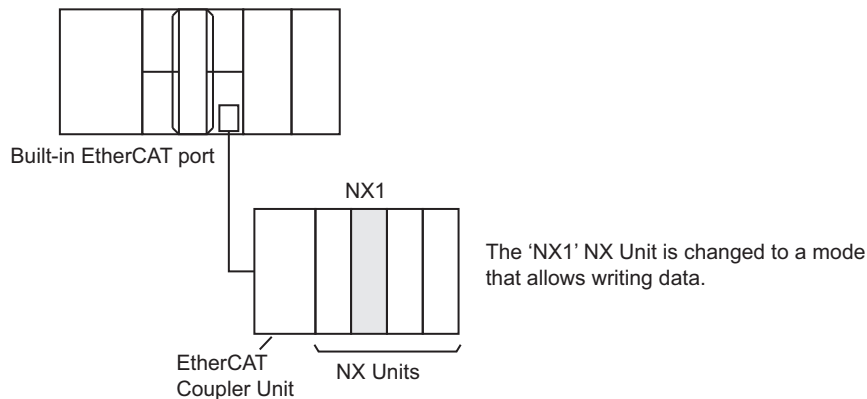
Use the following procedure to execute the related instructions.

- 1** Use the *NX\_ChangeWriteMode* instruction to change the Units to a mode that allows writing data.
- 2** Use the instruction, *NX\_WriteObj* on page 2-1067, to write data to the Unit.
- 3** Use the instruction, *NX\_SaveParam* on page 2-948, to save the data that you wrote.
- 4** Use the instruction, *RestartNXUnit* on page 2-936, to restart the Unit.

## Notation Example

The following notation example changes the *NX1* NX Unit to a mode that allows writing data. A variable that is named *NX1* with a data type of *\_sNXUNIT\_ID* is assigned to the NX Unit to change.





## Related System-defined Variables

Name	Meaning	Data type	Description
<code>_EC_MBXSlaveTbl[i]</code> "i" is the node address.	Message Communications Enabled Slave Table	BOOL	This variable indicates whether communications are possible for each slave. TRUE: Communications are possible. FALSE: Communications are not possible.
<code>_NXB_UnitMsgActiveTbl[i]</code>	NX Unit Message Enabled Status	BOOL	This table indicates the slaves that can perform message communications. Use this variable to confirm that communications with the relevant slave are possible.

## Precautions for Correct Use

- Execution of this instruction is continued until completed even if the value of *Execute* changes to FALSE or the execution time exceeds the task period. The value of *Done* changes to TRUE when processing is completed. Use this to confirm normal completion of the execution.
- Refer to *Using this Section* on page 2-3 for a timing chart for *Execute*, *Done*, *Busy*, and *Error*.
- If you specify a Unit that is assigned to a motion control axis (data type `_sAXIS_REF`) for *UnitProxy*, a Controller error will occur in the Motion Control Function Module. If that occurs, use the instruction, *ResetMCErr* on page 2-896, to reset the Controller error.
- For *UnitProxy*, specify the device variable that is assigned to an EtherCAT Coupler Unit, an NX Unit on the EtherCAT Coupler Unit, or an NX Unit connected to the NX bus of the CPU Unit in the I/O Map of the Sysmac Studio.  
Refer to the *Sysmac Studio Version 1 Operation Manual (Cat. No. W504)* for details on assigning device variables.
- If an attempt is made to execute the `NX_ChangeWriteMode` instruction during execution of another `NX_ChangeWriteMode` instruction or the *RestartNXUnit* on page 2-936 instruction, it will be queued. Up to 192 instructions can be queued. A building error will occur if an attempt is made to queue more than 192 instructions. The time during which an instruction is queued is not included in the timeout time.
- The value of *Busy* is TRUE while the instruction is queued.
- This instruction is related to NX Message Communications Errors. If too many instructions that are related to NX Message Communications Errors are executed at the same time, an NX Message Communications Error will occur. Refer to *A-4 Instructions Related to NX Message Communications*

Errors on page A-37 for a list of the instructions that are related to NX Message Communications Errors.

- You cannot execute this instruction during execution of the following instructions: EC\_DisconnectSlave, EC\_ConnectSlave, EC\_ChangeEnableSetting, ResetECError, RestartNXUnit, and NX\_ChangeWriteMode. An error will occur if you attempt to execute it.
- Error* changes to TRUE if an error occurs. The meanings of the values of *ErrorID* and *ErrorIDEx* are given in the following table.

Value of <i>ErrorID</i>	Value of <i>ErrorIDEx</i>	Meaning
16#0419	16#00000000	The data type of <i>UnitProxy</i> is not correct.
16#2C00	16#0000401	The specified Unit does not support the instruction.
	16#00001001 16#00001002 16#00170000 16#00200000 16#00210000	An input parameter, output parameter, or in-out parameter is incorrect. Confirm that the intended parameter is used for the input parameter, output parameter, or in-out parameter.
	16#00001010	The data size of the specified NX object does not agree with the data size specified in <i>WriteDat</i> .
	16#00001101	The correct Unit was not specified. Check the Unit.
	16#0000110B	The size of the read data is too large. Make sure that the read data specification is correct.
	16#00001110	There is no object that corresponds to the value of <i>Obj.Index</i> .
	16#00001111	There is no object that corresponds to the value of <i>Obj.Subindex</i> .
	16#00002101	The specified NX object cannot be written.
	16#00002110	The value of <i>WriteDat</i> exceeds the range of values for the NX object to write.
	16#00002210	The specified Unit is not in a mode that allows writing data.
	16#00002213	Instruction execution was not possible because the specified Unit was performing an I/O check. Execute the instruction after the I/O check is completed.
	16#00002230	The status of the specified Unit does not agree with the value of the read source or write destination NX object. Take the following actions if the value of <i>Obj.Index</i> is between 0x6000 and 0x6FFF or between 0x7000 and 0x7FFF. <ul style="list-style-type: none"> <li>Delete the read source or write designation NX object from the I/O allocation settings.</li> <li>Reset the error for the specified Unit.</li> <li>Place the specified Unit in a mode that does not allow writing data.</li> </ul>
	16#00002231	Instruction execution was not possible because the specified Unit was performing initialization. Wait for the Unit to start normal operation and then execute the instruction.
	16#0000250F	Hardware access failed. Execute the instruction again.
	16#00002601 16#00002602 16#00100000	The specified Unit does not support this instruction. Check the version of the Unit.

Value of <i>ErrorID</i>	Value of <i>ErrorIDEx</i>	Meaning
	16#00002603	Execution of the instruction failed. Execute the instruction again. Make sure that at least one channel is <b>Enabled</b> in the selection of the channels to use.
	16#00002621	The NX Unit is not in a status in which it can acknowledge the instruction. Wait for a while and then execute the instruction again.
	16#00010000	The specified Unit does not exist. Make sure that the Unit configuration is correct.
	16#00110000	The specified port number does not exist. Make sure that the Unit configuration is correct.
	16#00120000 16#00130000 16#00150000 16#00160000	The value of <i>UnitProxy</i> is not correct. Set the variable that indicates the specified EtherCAT Coupler Unit again.
	16#00140000	The specified node address is not correct. Make sure that the Unit configuration is correct.
	16#00300000 16#80010000	The specified Unit is busy. Execute the instruction again.
	16#00310000	The specified Unit is not supported for connection. Check the version of the Unit.
	16#80000000 16#80050000 16#81010000 16#81020000 16#82020000 16#82030000 16#82060000 to 16#8FFF0000 16#90010000 to 16#FFFE0000	An error occurred in the communications network. Execute the instruction again.
	16#80020000 16#80030000 16#81030000 16#82000000	An error occurred in the communications network. Reduce the amount of communications traffic.
	16#80040000 16#81000000 16#82010000 16#82040000 16#82050000 16#90000000	An error occurred in the communications network. Check the Unit and cable connections. Make sure that the power supply to the Unit is ON.
16#2C01	16#00000000	An attempt was made to queue more than 192 NX_ChangeWrite-Mode and RestartNXUnit instructions.
16#2C02	16#00000000	A timeout occurred during communications.
16#2C05	---	An error occurred in the EtherCAT network. Check the value of <i>UnitProxy</i> and the EtherCAT network configuration.
16#2C07	16#00000000	A slave that cannot be specified for the instruction was connected at the slave node address of the specified Unit. Check the value of <i>UnitProxy</i> and the EtherCAT network configuration.

## Sample Programming

Refer to *Sample Programming* on page 2-1072 for the NX\_WriteObj instruction.

# NX\_SaveParam

The NX\_SaveParam instruction saves the data that was written to an EtherCAT Coupler Unit or NX Unit.

Instruction	Name	FB/ FUN	Graphic expression	ST expression
NX_SaveParam	Save NX Unit Parameters	FB		NX_SaveParam_instance(Execute, UnitProxy, TimeOut, Done, Busy, Error, ErrorID, ErrorIDEx);



## Version Information

A CPU Unit with unit version 1.05 or later and Sysmac Studio version 1.06 or higher are required to use this instruction.

## Variables

	Meaning	I/O	Description	Valid range	Unit	Default
UnitProxy	Specified Unit	Input	Unit for which to save data	---	---	*1
TimeOut	Timeout time		Timeout time If 0 is set, the timeout time is 2.0 s.	0 to 60,000	ms	2000 (2.0 s)

\*1. If you omit the input parameter, the default value is not applied. A building error will occur.

	Boo lean	Bit strings				Integers							Real num- bers		Times, durations, dates, and text strings						
	BOOL	BYTE	WORD	DWORD	LWORD	USINT	UINT	UDINT	ULINT	SINT	INT	DINT	LINT	REAL	LREAL	TIME	DATE	TOD	DT	STRING	
UnitProxy																					Refer to <i>Function</i> on page 2-948 for details on the structure <code>_sNXUNIT_ID</code> .
TimeOut							OK														

## Function

The NX\_SaveParam instruction saves the data that was written to an EtherCAT Coupler Unit, an NX Unit on the EtherCAT Coupler Unit, or an NX Unit connected to the NX bus of the CPU Unit.

The NX Unit data is either saved in an EtherCAT Coupler Unit or NX-series CPU Unit, or saved in the NX Unit itself.

Regardless of where the data is saved, an EtherCAT Coupler Unit, an NX Unit on the EtherCAT Coupler Unit, or an NX Unit connected to the NX bus of the CPU Unit for which to save the data is specified with *UnitProxy*.

After the completion of saving the data, the value of *Done* changes to TRUE.

Use the instruction, *NX\_WriteObj* on page 2-1067, to write the data.

Even if power is interrupted after this instruction is executed, the values of the data with a power OFF retain attribute are retained.

*TimeOut* specifies the timeout time. If a response does not return within the timeout time, it is assumed that communications failed. In that case, the Unit data is not saved.

The data type of *UnitProxy* is structure `_sNXUNIT_ID`. The meanings of the members are as follows:

Name	Meaning	Description	Data type
UnitProxy	Specified Unit	Unit for which to save data	_sNXUNIT_ID
NodeAdr	Node address	Node address of the Communications Coupler Unit	UINT
IPAdr	IP address	IP address of the Communications Coupler Unit	BYTE[5]
UnitNo	Unit number	Unit number of specified Unit	UDINT
Path	Path	Path information to the specified Unit	BYTE[64]
PathLength	Valid <i>Path</i> length	Valid <i>Path</i> length	USINT

To *UnitProxy*, pass the device variable that is assigned to the specified Unit.

## Related Instructions and Execution Procedure

Depending on the attributes of the data that you write to an EtherCAT Coupler Unit, an NX Unit on the EtherCAT Coupler Unit, or an NX Unit connected to the NX bus of the CPU Unit, you must execute this instruction along with other related instructions.

The procedure for each case is given below.

### ● Execution Procedure 1

Use the following procedure to write data with the following attributes.

- Power OFF Retain attribute
- The values are updated when the Unit is restarted.

- 1** Use the instruction, *NX\_ChangeWriteMode* on page 2-942, to change the Unit to a mode that allows writing data.
- 2** Use the instruction, *NX\_WriteObj* on page 2-1067, to write data to the Unit.
- 3** Use the *NX\_SaveParam* instruction to save the data that you wrote.
- 4** Use the instruction, *RestartNXUnit* on page 2-936, to restart the Unit.

### ● Execution Procedure 2

Use the following procedure to write data with the following attributes.

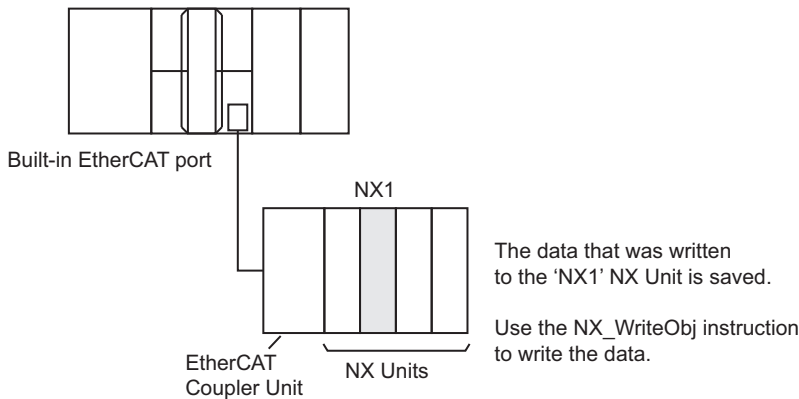
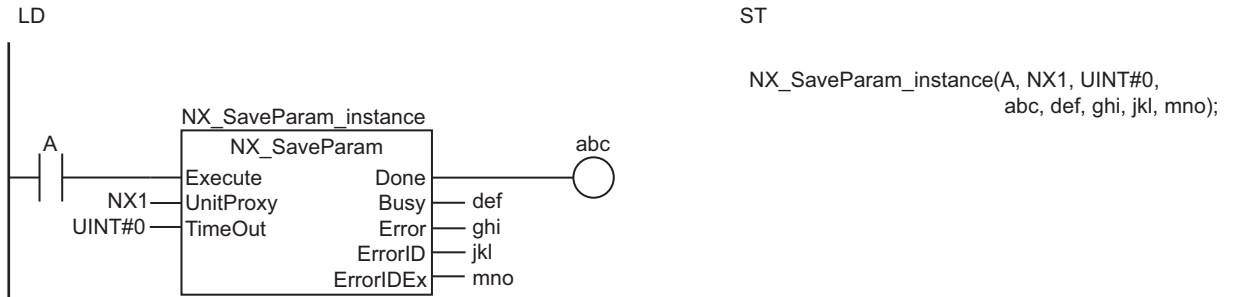
- Power OFF Retain attribute
- The values are updated as soon as they are written.

- 1** Use the instruction, *NX\_WriteObj* on page 2-1067, to write data to the Unit.

**2** Use the NX\_SaveParam instruction to save the data that you wrote.

**Notation Example**

The following notation example saves the data that was written to the *NX1* NX Unit. A variable that is named *NX1* with a data type of *\_sNXUNIT\_ID* is assigned to the NX Unit.



**Related System-defined Variables**

Name	Meaning	Data type	Description
<code>_EC_MBXSlaVtBl[i]</code> "i" is the node address.	Message Communications Enabled Slave Table	BOOL	This variable indicates whether communications are possible for each slave. TRUE: Communications are possible. FALSE: Communications are not possible.

**Precautions for Correct Use**

- Execution of this instruction is continued until completed even if the value of *Execute* changes to FALSE or the execution time exceeds the task period. The value of *Done* changes to TRUE when processing is completed. Use this to confirm normal completion of the execution.
- Refer to *Using this Section* on page 2-3 for a timing chart for *Execute*, *Done*, *Busy*, and *Error*.
- This instruction will not end in an error even if the Unit specified by *UnitProxy* is already saving data. The value of *Busy* remains TRUE, and the value of *Done* changes to TRUE when the data saving is completed. Requests to save data are not queued.
- An error will not occur even if this instruction is executed without writing data to the Unit.



- Some of the Units have restrictions in the number of times that you can write data. Refer to the manuals for the specific Units for details.
- For *UnitProxy*, specify the device variable that is assigned to an EtherCAT Coupler Unit, an NX Unit on the EtherCAT Coupler Unit, or an NX Unit connected to the NX bus of the CPU Unit in the I/O Map of the Sysmac Studio.  
Refer to the *Sysmac Studio Version 1 Operation Manual (Cat. No. W504)* for details on assigning device variables.
- To write and save data with a Power OFF Retain attribute, execute the *NX\_SaveParam* instruction after you execute *NX\_WriteObj* on page 2-1067. If you restart the Unit before you execute the *NX\_SaveParam* instruction, the previous NX object data is restored.
- This instruction is related to NX Message Communications Errors. If too many instructions that are related to NX Message Communications Errors are executed at the same time, an NX Message Communications Error will occur. Refer to *A-4 Instructions Related to NX Message Communications Errors* on page A-37 for a list of the instructions that are related to NX Message Communications Errors.
- If the power supply to the Controller is turned OFF while this instruction is in execution (the value of *Busy* is TRUE), a major fault level error may occur when the power supply is turned ON next time.
- *Error* changes to TRUE if an error occurs. The meanings of the values of *ErrorID* and *ErrorIDEx* are given in the following table.

Value of <i>ErrorID</i>	Value of <i>ErrorIDEx</i>	Meaning
16#0400	16#00000000	<ul style="list-style-type: none"> <li>• The value of <i>UnitProxy</i> is outside the valid range.</li> <li>• The value of <i>TimeOut</i> is outside the valid range.</li> </ul>
16#0419	16#00000000	The data type of <i>UnitProxy</i> is not correct.
16#2C00	16#0000401	The specified Unit does not support the instruction.
	16#00001001 16#00001002 16#00170000 16#00200000 16#00210000	An input parameter, output parameter, or in-out parameter is incorrect. Confirm that the intended parameter is used for the input parameter, output parameter, or in-out parameter.
	16#00001010	The data size of the specified NX object does not agree with the data size specified in <i>WriteDat</i> .
	16#00001101	The correct Unit was not specified. Check the Unit.
	16#0000110B	The size of the read data is too large. Make sure that the read data specification is correct.
	16#00001110	There is no object that corresponds to the value of <i>Obj.Index</i> .
	16#00001111	There is no object that corresponds to the value of <i>Obj.Subindex</i> .
	16#00002101	The specified NX object cannot be written.
	16#00002110	The value of <i>WriteDat</i> exceeds the range of values for the NX object to write.
	16#00002210	The specified Unit is not in a mode that allows writing data.
	16#00002213	Instruction execution was not possible because the specified Unit was performing an I/O check. Execute the instruction after the I/O check is completed.

Value of <i>ErrorID</i>	Value of <i>ErrorIDEx</i>	Meaning
	16#00002230	The status of the specified Unit does not agree with the value of the read source or write destination NX object. Take the following actions if the value of <i>Obj.Index</i> is between 0x6000 and 0x6FFF or between 0x7000 and 0x7FFF. <ul style="list-style-type: none"> <li>• Delete the read source or write designation NX object from the I/O allocation settings.</li> <li>• Reset the error for the specified Unit.</li> <li>• Place the specified Unit in a mode that does not allow writing data.</li> </ul>
	16#00002231	Instruction execution was not possible because the specified Unit was performing initialization. Wait for the Unit to start normal operation and then execute the instruction.
	16#0000250F	Hardware access failed. Execute the instruction again.
	16#00002601 16#00002602 16#00100000	The specified Unit does not support this instruction. Check the version of the Unit.
	16#00002603	Execution of the instruction failed. Execute the instruction again. Make sure that at least one channel is <b>Enabled</b> in the selection of the channels to use.
	16#00002621	The NX Unit is not in a status in which it can acknowledge the instruction. Wait for a while and then execute the instruction again.
	16#00010000	The specified Unit does not exist. Make sure that the Unit configuration is correct.
	16#00110000	The specified port number does not exist. Make sure that the Unit configuration is correct.
	16#00120000 16#00130000 16#00150000 16#00160000	The value of <i>UnitProxy</i> is not correct. Set the variable that indicates the specified EtherCAT Coupler Unit again.
	16#00140000	The specified node address is not correct. Make sure that the Unit configuration is correct.
	16#00300000 16#80010000	The specified Unit is busy. Execute the instruction again.
	16#00310000	The specified Unit is not supported for connection. Check the version of the Unit.
	16#80000000 16#80050000 16#81010000 16#81020000 16#82020000 16#82030000 16#82060000 to 16#8FFF0000 16#90010000 to 16#FFFE0000	An error occurred in the communications network. Execute the instruction again.

Value of <i>ErrorID</i>	Value of <i>ErrorIDEx</i>	Meaning
	16#80020000 16#80030000 16#81030000 16#82000000	An error occurred in the communications network. Reduce the amount of communications traffic.
	16#80040000 16#81000000 16#82010000 16#82040000 16#82050000 16#90000000	An error occurred in the communications network. Check the Unit and cable connections. Make sure that the power supply to the Unit is ON.
16#2C01	16#00000000	The number of instructions that can be simultaneously executed was exceeded.
16#2C02	16#00000000	A timeout occurred during communications.

## Sample Programming

Refer to *Sample Programming* on page 2-1072 for the NX\_WriteObj instruction.

# PLC\_ReadTotalPowerOnTime

The PLC\_ReadTotalPowerOnTime instruction reads the total power ON time from a specified CPU Unit.

Instruction	Name	FB/ FUN	Graphic expression	ST expression
PLC_ReadTotalPowerOnTime	Read PLC Total Power ON Time	FUN		Out:=PLC_ReadTotalPowerOnTime(UnitType);



## Precautions for Correct Use

You can use this instruction for the NX502 CPU Unit, NX102 CPU Unit, and NX1P2 CPU Unit.

## Variables

	Meaning	I/O	Description	Valid range	Unit	Default
UnitType	Unit type	Input	Specifies the target Unit.	_CPU_UNIT		_CPU_UNIT
Out	Total Power ON Time	Output	Outputs the total power ON time that was read.	Depends on data type.	---	---

	Boo lean	Bit strings					Integers							Real num bers		Times, durations, dates, and text strings					
	BOOL	BYTE	WORD	DWORD	LWORD	USINT	UINT	UDINT	ULINT	SINT	INT	DINT	LINT	REAL	LREAL	TIME	DATE	TOD	DT	STRING	
UnitType																					Refer to <i>Function</i> on page 2-954 for the enumerators of the enumerated type _ePLC_UNIT_TYPE.
Out																OK					

## Function

The PLC\_ReadTotalPowerOnTime instruction reads the approximate total power ON time from a specified CPU Unit.

The accuracy is one hour per month.

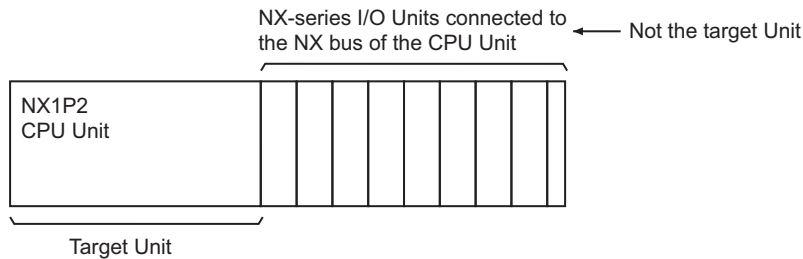
Specify *UnitType* for the Unit from which the data is read.

The data type of *UnitType* is enumerated type \_ePLC\_UNIT\_TYPE. The meaning of the enumerator is as follows:

Enumerator	Meaning
_CPU_UNIT	CPU Unit is specified.

## Target Unit

### ● When Using the NX1P2 CPU Unit



The target Unit for reading is the NX1P2 CPU Unit only.

Set *UnitType* with the `_CPU_UNIT` enumerator of the enumerated type `_ePLC_UNIT_TYPE` to specify a target Unit.

NX-series I/O Units connected to the NX bus of the CPU Unit are not the target Unit for reading.



#### Additional Information

To read the total power ON time for an NX-series I/O Unit, use `NX_ReadTotalPowerOnTime` on page 2-957.

## Additional Information

If you execute this instruction on the Simulator, the value of *Out* is always T#0s.

## Precautions for Correct Use

If the specified Unit is not the target for reading, an error will occur.

*ENO* will be FALSE, and the value of *Out* will not change.

## Sample Programming

This sample creates the two variables `Maintenance_Mode` and `Run_Mode` in the program.

In the two, the instruction reads the total power ON time of the NX1P2 CPU Unit when the button to read the total power ON time is pressed in `Maintenance_Mode`.

If the total power ON time exceeds 5 years, the Unit replacement warning lamp lights.

Once the Unit is replaced and the button for completion of Unit replacement is pressed, the Unit replacement warning lamp turns off.

The system configuration is as shown below.

Unit	Description
Unit 1	Unit 1, which is connected to the NX bus of the NX-series CPU Unit NX-series I/O Unit ( ID)
Unit 2	Unit 2, which is connected to the NX bus of the NX-series CPU Unit NX-series I/O Unit (IO)
Unit 3	NX1P2 CPU Unit (Target for reading the total power ON time)

## ST

External Variables	Variable	Data type	Comment
	J01_Ch1_In00	BOOL	Maintenance mode button
	J01_Ch1_In01	BOOL	Button to read total power ON time
	J02_Ch1_Out00	BOOL	Unit replacement warning lamp
	Maintenance_Mode	BOOL	
	Run_Mode	BOOL	
	PushButton_Read	BOOL	
	Lamp_Warning_UnitLifeTime	BOOL	
	PowerOnTime	TIME	
	R_TRIG_instance1	R_TRIG	
	PushButton_Read_R_TRIG	BOOL	
	RS_instance	RS	

```

// Get button status.
Maintenance_Mode := J01_Ch1_In00;
Run_Mode := NOT(J01_Ch1_In00);
PushButton_Read := J01_Ch1_In01;

R_TRIG_instance1(clk:=PushButton_Read, Q=>PushButton_Read_R_TRIG);

// Read total operating time.
PowerOnTime := PLC_ReadTotalPowerOnTime(EN:=(Maintenance_Mode & PushButton_Read_R_TRIG),
UnitType:=_CPU_UNIT);

RS_instance( Set:=(PowerOnTime > T#1825d),
Reset1:=Maintenance_Mode,
Q1=>Lamp_Warning_UnitLifeTime);

// Output warning to lamp.
J02_Ch1_Out00 := Lamp_Warning_UnitLifeTime;

```

# NX\_ReadTotalPowerOnTime

The NX\_ReadTotalPowerOnTime instruction reads the total power ON time from a Communications Coupler Unit or NX Unit.

Instruction	Name	FB/ FUN	Graphic expression	ST expression
NX_ReadTotalPowerOnTime	Read NX Unit Total Power ON Time	FB		NX_ReadTotalPowerONTime_instance(Execute, UnitProxy, Done, Busy, Error, ErrorID, ErrorIDEx, TotalPowerOnTime);

## Variables

	Meaning	I/O	Description	Valid range	Unit	Default
UnitProxy	Specified Unit	Input	Specifies the target NX Unit.	---	---	*1
TotalPower-OnTime	Total power ON time	Output	Stores the total power ON time that was read.	Depends on data type.		0

\*1. If you omit an input parameter, the default value is not applied. A building error will occur.

	Boo lean	Bit strings					Integers							Real num- bers		Times, durations, dates, and text strings					
	BOOL	BYTE	WORD	DWORD	LWORD	USINT	UINT	UDINT	ULINT	SINT	INT	DINT	LINT	REAL	LREAL	TIME	DATE	TOD	DT	STRING	
UnitProxy																					Refer to <i>Function</i> on page 2-957 for details on the structure <code>_sNXUNIT_ID</code> .
TotalPower-OnTime																OK					

## Function

The NX\_ReadTotalPowerOnTime instruction reads the approximate total power ON time from a Communications Coupler Unit, an NX Unit on the Communications Coupler Unit, or an NX Unit connected to the NX bus of the CPU Unit.

The accuracy is one hour per month.

The Unit from which the total power ON time is read is specified with *UnitProxy*.

When the total power ON time is read, the value of *Done* changes to TRUE.

The data type of *UnitProxy* is structure `_sNXUNIT_ID`. The meanings of the members are as follows:

Name	Meaning	Description	Data type
UnitProxy	Specified Unit	Specified Unit	_sNXUNIT_ID
NodeAdr	Node address	Node address of the Communications Coupler Unit	UINT
IPAdr	IP address	IP address of the Communications Coupler Unit	BYTE[5]
UnitNo	Unit number	Unit number of specified NX Unit	UDINT
Path	Path	Path information to the specified Unit	BYTE[64]
PathLength	Valid <i>Path</i> length	Valid <i>Path</i> length	USINT

To *UnitProxy*, pass the device variable that is assigned to the specified Communications Coupler Unit, an NX Unit on the Communications Coupler Unit or an NX Unit connected to the NX bus of the CPU Unit.

## Version Combinations

There are combinations in which you can read the total power ON time depending on the version of the Communications Coupler Unit connected to the CPU Unit, NX Unit on the Communications Coupler Unit, or NX Unit connected to the NX bus of the CPU Unit.

### ● EtherCAT Slave Terminal

Unit	Version of NX Unit	Version of EtherCAT Coupler Unit
Digital I/O Unit	Version 1.0 or later	Version 1.2 or later
Analog I/O Unit		
System Unit		
Position Interface Unit	Version 1.1 or later	
Temperature Input Unit		

### ● NX Unit on NX102 CPU Unit and NX1P2 CPU Unit

Unit	Version of NX Unit
Digital I/O Unit	Version 1.0 or later
Analog I/O Unit	
System Unit	
Position Interface Unit	Version 1.1 or later
Temperature Input Unit	

## Related System-defined Variables

Name	Meaning	Data type	Description
_EC_MBXSlavTbl[i] "i" is the node address.	Message Communications Enabled Slave Table	BOOL	This variable indicates whether communications are possible for each slave. TRUE: Communications are possible. FALSE: Communications are not possible.
_NXB_UnitMsgActiveTbl[i]	NX Unit Message Enabled Status	BOOL	This table indicates the slaves that can perform message communications. Use this variable to confirm that communications with the relevant slave are possible.



## Additional Information

If you execute this instruction on the Simulator, *Busy* changes to TRUE for only one task period after *Execute* changes from FALSE to TRUE.

*Busy* changes to FALSE and *Done* changes to TRUE in the next task period.

The read value of *TotalPowerOnTime* will be 0.

## Precautions for Correct Use

- Execution of this instruction is continued until completed even if the value of *Execute* changes to FALSE or the execution time exceeds the task period. The value of *Done* changes to TRUE when processing is completed. Use this to confirm normal completion of the execution.
- Refer to *Using this Section* on page 2-3 for a timing chart for *Execute*, *Done*, *Busy*, and *Error*.
- For *UnitProxy*, specify the device variable that is assigned to an EtherCAT Coupler Unit, an NX Unit on the EtherCAT Coupler Unit, or an NX Unit connected to the NX bus of the CPU Unit in the I/O Map of the Sysmac Studio.

Refer to the *Sysmac Studio Version 1 Operation Manual (Cat. No. W504)* for details on assigning device variables.

An error will occur if you specify an NX-series CPU Unit for *UnitProxy*.

- There are restrictions in the number of Units that depend on the Communications Coupler Unit. Refer to the manual for your Communications Coupler Unit for details.
- *Error* changes to TRUE if an error occurs. The meanings of the values of *ErrorID* and *ErrorIDEx* are given in the following table.

Value of <i>ErrorID</i>	Value of <i>ErrorIDEx</i>	Meaning
16#0400	16#00000000	The value of <i>UnitProxy</i> is outside the valid range.
16#0419	16#00000000	The data type of <i>UnitProxy</i> is not correct.
16#2C00	16#0000401	The specified Unit does not support the instruction.
	16#00001001	An input parameter, output parameter, or in-out parameter is incorrect. Confirm that the intended parameter is used for the input parameter, output parameter, or in-out parameter.
	16#00001002	
	16#00170000	
	16#00200000	
	16#00210000	
	16#00001010	The data size of the specified NX object does not agree with the data size specified in <i>WriteDat</i> .
	16#00001101	The Unit is not correct. Check the Unit.
	16#0000110B	The size of the read data is too large. Make sure that the read data specification is correct.
	16#00001110	There is no object that corresponds to the value of <i>Obj.Index</i> .
	16#00001111	There is no object that corresponds to the value of <i>Obj.Subindex</i> .
	16#00002101	The specified NX object cannot be written.
	16#00002110	The value of <i>WriteDat</i> exceeds the range of values for the NX object to write.
16#00002210	The specified Unit is not in a mode that allows writing data.	
16#00002213	Instruction execution was not possible because the specified Unit was performing an I/O check. Execute the instruction after the I/O check is completed.	

Value of <i>ErrorID</i>	Value of <i>ErrorIDEx</i>	Meaning
	16#00002230	The status of the specified Unit does not agree with the value of the read source or write destination NX object. Take the following actions if the value of <i>Obj.Index</i> is between 0x6000 and 0x6FFF or between 0x7000 and 0x7FFF. <ul style="list-style-type: none"> <li>• Delete the read source or write destination NX object from the I/O allocation settings.</li> <li>• Reset the error for the specified Unit.</li> <li>• Place the specified Unit in a mode that does not allow writing data.</li> </ul>
	16#00002231	Instruction execution was not possible because the specified Unit was performing initialization. Wait for the Unit to start normal operation and then execute the instruction.
	16#0000250F	Hardware access failed. Execute the instruction again.
	16#00002601 16#00002602 16#00100000	The specified Unit does not support this instruction. Check the version of the Unit.
	16#00002603	Execution of the instruction failed. Execute the instruction again. Make sure that at least one channel is <b>Enabled</b> in the selection of the channels to use.
	16#00002621	The NX Unit is not in a status in which it can acknowledge the instruction. Wait for a while and then execute the instruction again.
	16#00010000	The specified Unit does not exist. Make sure that the Unit configuration is correct.
	16#00110000	The specified port number does not exist. Make sure that the Unit configuration is correct.
	16#00120000 16#00130000 16#00150000 16#00160000	The value of <i>UnitProxy</i> is not correct. Set the variable that indicates the specified EtherCAT Coupler Unit again.
	16#00140000	The specified node address is not correct. Make sure that the Unit configuration is correct.
	16#00300000 16#80010000	The specified Unit is busy. Execute the instruction again.
	16#00310000	The specified Unit is not supported for connection. Check the version of the Unit.
	16#80000000 16#80050000 16#81010000 16#81020000 16#82020000 16#82030000 16#82060000 to 16#8FFF0000 16#90010000 to 16#FFFE0000	An error occurred in the communications network. Execute the instruction again.

Value of <i>ErrorID</i>	Value of <i>ErrorIDEx</i>	Meaning
	16#80020000 16#80030000 16#81030000 16#82000000	An error occurred in the communications network. Reduce the amount of communications traffic.
	16#80040000 16#81000000 16#82010000 16#82040000 16#82050000 16#90000000	An error occurred in the communications network. Check the Unit and cable connections. Make sure that the power supply to the Unit is ON.
16#2C01	16#00000000	The number of instructions that can be simultaneously executed was exceeded.
16#2C02	16#00000000	A timeout occurred during communications.
16#2C08	16#00000000	The total power ON time could not be read.

## Sample Programming

Two modes are created in a program: maintenance mode and run mode.

With this sample, if the button to read the total power ON time is pressed while in maintenance mode, the total power ON time of Unit 3 (set in advance) is read.

If the total power ON time exceeds 5 years, a lamp is lit to indicate that the Unit replacement is necessary.

If the button for completion of Unit replacement is pressed after replacing the Unit, the Unit replacement warning lamp turns OFF.

The following system configuration is used.

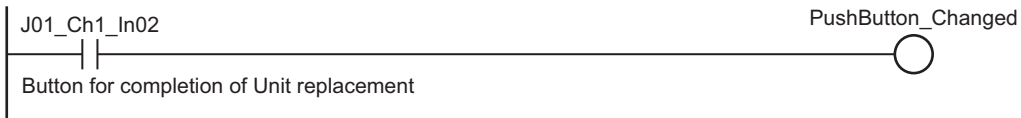
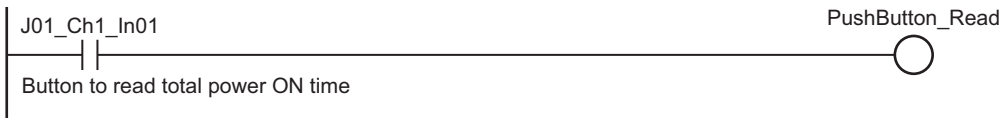
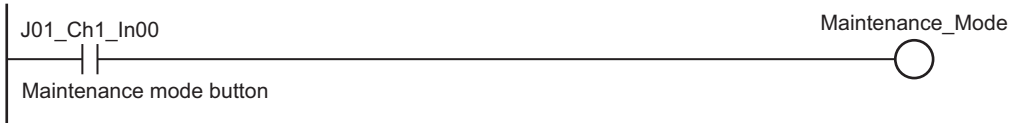
Unit	Description
Unit 1	NX Unit (ID)
Unit 2	NX Unit (OD)
Unit 3	NX Unit (Unit from which to read the total power ON time)

## LD

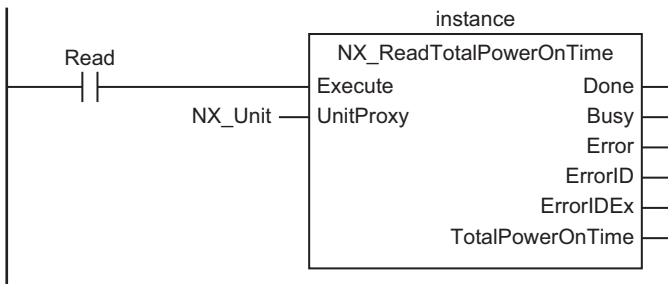
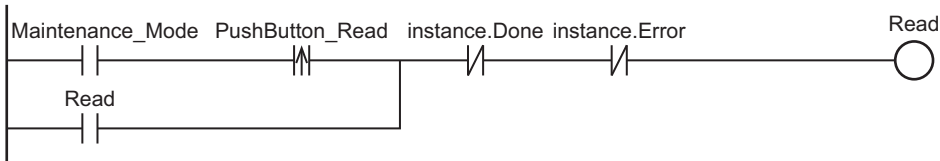
Internal Variables	Variable	Data type	Initial value	Comment
	Maintenance_Mode	BOOL	FALSE	Maintenance mode
	Run_Mode	BOOL	FALSE	Run mode
	PushButton_Read	BOOL	FALSE	Reading the total power ON time
	PushButton_Changed	BOOL	FALSE	Completion of Unit replacement
	Lamp_Warning_UnitLifeTime	BOOL	FALSE	Unit replacement warning
	Read instance	BOOL	FALSE	
		NX_ReadTotalPowerOnTime		

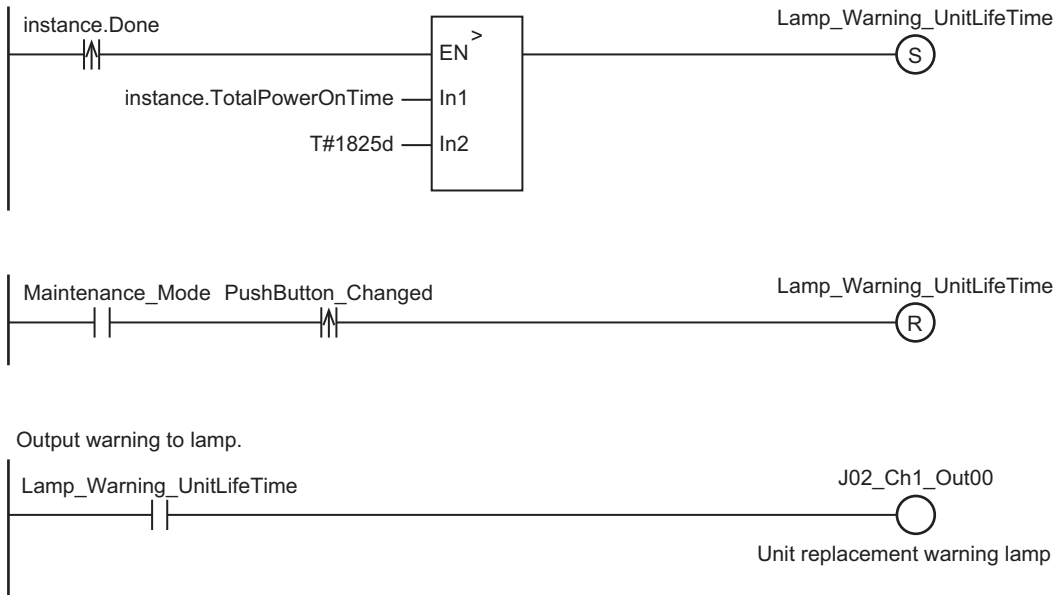
External Variables	Variable	Data type	Comment
	NX_Unit	_sNXUNIT_ID	
	J01_Ch1_In00	BOOL	Maintenance mode button
	J01_Ch1_In01	BOOL	Button to read total power ON time
	J01_Ch1_In02	BOOL	Button for completion of Unit replacement
	J02_Ch1_Out00	BOOL	Unit replacement warning lamp

Get button status.



Read total power ON time.





**ST**

Internal Variables	Variable	Data type	Initial value	Comment
	Maintenance_Mode	BOOL	FALSE	Maintenance mode
	Run_Mode	BOOL	FALSE	Run mode
	PushButton_Read	BOOL	FALSE	Reading the total power ON time
	PushButton_Changed	BOOL	FALSE	Completion of Unit replacement
	Lamp_Warning_UnitLifeTime	BOOL	FALSE	Unit replacement warning
	Read	BOOL	FALSE	
	instance	NX_ReadTotalPowerOnTime		
	RS_instance	RS		
	RS_instance2	RS		
	R_TRIG_instance1	R_TRIG		
	R_TRIG_instance2	R_TRIG		
	R_TRIG_instance3	R_TRIG		
	PushButton_Read_R_TRIG	BOOL		
	instance_Done_R_TRIG	BOOL		
	PushButton_Change_R_TRIG	BOOL		

External Variables	Variable	Data type	Comment
	NX_Unit	_sNXUNIT_ID	
	J01_Ch1_In00	BOOL	Maintenance mode button
	J01_Ch1_In01	BOOL	Button to read total power ON time

External Variables	Variable	Data type	Comment
	J01_Ch1_In02	BOOL	Button for completion of Unit replacement
	J02_Ch1_Out00	BOOL	Unit replacement warning lamp

```
// Get button status.
Maintenance_Mode := J01_Ch1_In00;
Run_Mode := NOT(J01_Ch1_In00);
PushButton_Read := J01_Ch1_In01;
PushButton_Changed := J01_Ch1_In02;

R_TRIG_instance1(Clk:= PushButton_Read, Q=>PushButton_Read_R_TRIG);

// Read total power ON time.
Rs_instance( Set:= (Maintenance_Mode & PushButton_Read_R_TRIG),
  Reset1:=((instance.Done) OR (instance.Error)),
  Q1=>Read);
instance(Execute:=Read, UnitProxy:=NX_Unit);

R_TRIG_instance2(Clk:= instance.Done, Q=>instance_Done_R_TRIG);
R_TRIG_instance3(Clk:= PushButton_Changed, Q=>PushButton_Changed_R_TRIG);

RS_instance2(Set:=(instance_Done_R_TRIG & (instance.TotalPowerOnTime>T#1825d)),
  Reset1:=(Maintenance_Mode & PushButton_Changed_R_TRIG),
  Q1=>Lamp_Warning_UnitLifeTime);

// Output warning to lamp.
J02_Ch1_Out00 := Lamp_Warning_UnitLifeTime;
```

# XBUnt\_ReadTotalPowerOnTime

Reads the total power ON time from an X Bus Unit.

Instruction	Name	FB/F UN	Graphic expression	ST expression
XBUnt_ReadTotalPowerOnTime	Read X Bus Unit Total Power ON Time	FB		XBUnt_ReadTotalPowerOnTime_instance(Execute, UnitProxy, TimeOut, Done, Busy, Error, ErrorID, ErrorIDEx, TotalPowerOnTime);



## Precautions for Correct Use

You can use this instruction for the NX502 CPU Unit.

## Variables

	Name	I/O	Description	Valid range	Unit	Default
UnitProxy	Specified Unit	Input	Specifies the target X Bus Unit.	Depends on data type.	---	*1
TimeOut	Response monitoring time		Response monitoring time If 0 is set, the response monitoring time is 2.0 s.	0 to 60000	ms	2000
TotalPowerOnTime	Total power ON time	Output	Outputs the total power ON time that was read.	Depends on data type.	---	0

\*1. If you omit an input parameter, the default value is not applied. A building error will occur.

	Boo lean	Bit strings					Integers							Real numbers		Times, durations, dates, and text strings					
	BOOL	BYTE	WORD	DWORD	LWORD	USINT	UINT	UDINT	ULINT	SINT	INT	DINT	LINT	REAL	REAL	TIME	DATE	TOD	DT	STRING	
UnitProxy																					Refer to <i>Function</i> on page 2-965 for details on the structure <code>_sXBU_ID</code> .
TimeOut							OK														
TotalPowerOnTime															OK						

## Function

The XBUnt\_ReadTotalPowerOnTime instruction reads the approximate total power ON time from an X Bus Unit.

The accuracy is one hour per month. The update cycle is in minutes.

The Unit from which the total power ON time is read is specified with *UnitProxy*.  
The total power ON time is read when the value of *Done* changes to TRUE.

The data type of *UnitProxy* is structure `_sXBU_ID`. The specifications are as follows:

Name	Meaning	Description	Data type
UnitProxy	Specified Unit	Specified Unit	<code>_sXBU_ID</code>
UnitNo	Unit number	Unit number of the specified Unit	UINT

## Additional Information

If you execute this instruction on the Simulator, *Busy* changes to TRUE for only one task period after *Execute* changes from FALSE to TRUE.

*Busy* changes to FALSE and *Done* changes to TRUE in the next task period.

The read value of *TotalPowerOnTime* will be 0.

## Precautions for Correct Use

- Execution of this instruction is continued until processing is completed even if the value of *Execute* changes to FALSE or the execution time exceeds the task period. The value of *Done* changes to TRUE when processing is completed. Use this to confirm normal completion of the processing.
- Refer to *Using this Section* on page 2-3 for a timing chart for *Execute*, *Done*, *Busy*, and *Error*.
- A compiling error will occur if you use this instruction in an event task. Do not use this instruction in event tasks.
- You cannot execute this instruction more than once at the same time. Only one instance can be executed at a time.
- *Error* changes to TRUE if an error occurs. The meanings of the values of *ErrorID* and *ErrorIDEx* are given in the following table.

Value of <i>ErrorID</i>	Value of <i>ErrorIDEx</i>	Description
16#0400	16#00000000	<ul style="list-style-type: none"> <li>• The value of <i>UnitProxy</i> is outside the valid range.</li> <li>• The value of <i>TimeOut</i> is outside the valid range.</li> </ul>
16#041A	16#00000000	While this instruction was being executed, it was executed again.
16#5800	16#00000000	The specified X Bus Unit does not exist.
16#5801	16#00000000	A timeout occurred during communications. *1

\*1. Indicates communications between the X Bus Unit and CPU Unit.



# APB\_ChangeSamplingSettings

Changes the variable log sampling settings that are executed by the automation playback function.

Instruction	Name	FB/ FUN	Graphic expression	ST expression
APB_ChangeSamplingSettings	Change Sampling Settings	FB		APB_ChangeSamplingSettings_instance(Execute, SettingNumber, Done, Busy, Error, ErrorID, ErrorIDEx);

Refer to the *NX-series CPU Unit Automation Playback User's Manual (Cat. No. W639)* for details on the automation playback function.



## Precautions for Correct Use

An N502 CPU Unit with unit version 1.63 or later and Sysmac Studio version 1.55 or higher are required to use this instruction.

## Variables

	Meaning	I/O	Description	Valid range	Unit	Default
Setting-Number	Setting number	Input	Specifies <b>Sampling Setting Number</b> in <b>Variable Log Setting</b> .	1 or 2	---	0

	Boo lean	Bit strings					Integers							Real num- bers		Times, durations, dates, and text strings				
	BOOL	BYTE	WORD	DWORD	LWORD	USINT	UINT	UDINT	ULINT	SINT	INT	DINT	LINT	REAL	LREAL	TIME	DATE	TOD	DT	STRING
SettingNum- ber						OK														

## Function

You can create up to two sampling settings for the automation playback function. However, only one setting is enabled.

You can use this instruction to change the sampling setting that is enabled.

## Related System-defined Variables

Name	Meaning	Data type	Description
<code>_APB_Status.Status</code>	APB Service Operating Status	UINT	This variable outputs the operating status of the automation playback function. 0: Disabled 1: Initializing 2: Idle 3: Run 4: Error
<code>_APB_Status.ActiveSamplingSettingNumber</code>	Active Sampling Setting Number	USINT	This variable outputs the active sampling setting number in the automation playback.
<code>_APB_LogStatus[].Status</code>	Variable Log Output Setting Status	UINT	This variable outputs the status of the variable log output setting. 0: Disabled 1: Stopped 2: Sampling 3: Triggered 4: Sampled 5: Storing 6: Error

**Note** Refer to the *NJ/NX-series CPU Unit Software User's Manual (Cat. No. W501)* for details.

## Additional Information

This instruction cannot be executed on the Simulator.

When this instruction is executed and changes the value of *Execute* from FALSE to TRUE, the values for the related variables will always change as shown below.

Output variable	Meaning
Done	TRUE
Busy	FALSE
Error	FALSE
ErrorID	0
ErrorIDEx	0

## Precautions for Correct Use

- Execution of this instruction is continued until processing is completed even if the value of *Execute* changes to FALSE or the execution time exceeds the task period. The value of *Done* changes to TRUE when processing is completed. Use this to confirm normal completion of the processing.
- Refer to *Using this Section* on page 2-3 for a timing chart for *Execute*, *Done*, *Busy*, and *Error*.
- You cannot use this instruction in an event task. A compiling error will occur.
- When the value of *Done* in this instruction changes to TRUE, the `_APB_Status.Status` system-defined variable, which indicates the status of automation playback, changes to **2: Idle**.
- It takes a certain time to complete the changing of sampling settings. The value of *Busy* changes to TRUE during the changing processing.

If the power supply to the CPU Unit is interrupted during the changing processing, the sampling setting that will enable at restart is undefined. Check the sampling setting enabled with the `_APB_Status` system-defined variable.

- If another instance of this instruction is additionally executed during the changing processing, the following will occur.
  - a) The instruction instance during the changing continues processing.
  - b) The additionally executed instruction instance will immediately change to TRUE for *Done* and *Error* and error end.
- If you specify an active sampling setting number and execute this instruction, the processing related to changing will not be performed and the instruction will end normally.
- If an error occurs, the variable log sampling settings will not change and the automation playback function will operate according to the settings that were operated before the instruction execution.
- *Error* changes to TRUE if an error occurs. The meanings of the values of *ErrorID* and *ErrorIDEx* are given in the following table.

Value of <i>ErrorID</i>	Value of <i>ErrorIDEx</i>	Description
16#0400	16#54010400	The sampling setting specified with <i>SettingNumber</i> is not transferred to the CPU Unit.
16#0401	16#54010401	<ul style="list-style-type: none"> <li>• <i>_APB_Status.Status</i> is in the <b>0: Disabled</b> or <b>1: Initializing</b> status.</li> <li>• <i>_APB_LogStatus[].Status</i> is in the <b>5: Storing</b> status.</li> <li>• Settings for variable data collection are being transferred or changed.</li> </ul>
16#041A	16#5401041A	Another instance of this instruction was executed while the instruction instance was being changed.



# Program Control Instructions

Instruction	Name	Page
PrgStart	Enable Program	page 2-972
PrgStop	Disable Program	page 2-981
PrgStatus	Read Program Status	page 2-1000

# PrgStart

The PrgStart instruction enables the execution of the specified program.

Instruction	Name	FB/ FUN	Graphic expression	ST expression
PrgStart	Enable Program	FUN		Out:=PrgStart(PrgName, isFirstRun);



## Version Information

A CPU Unit with unit version 1.08 or later and Sysmac Studio version 1.09 or higher are required to use this instruction.

## Variables

	Meaning	I/O	Description	Valid range	Unit	Default
PrgName	Program name	Input	Name of specified program	128 bytes max. (127 single-byte alphanumeric characters plus the final NULL character)	---	*1
isFirstRun	First Program Period Flag enable		Operation of the <i>P_First_Run</i> system-defined variable in the first task period when the program is executed TRUE: Change to TRUE. FALSE: Change to FALSE.	Depends on data type.		TRUE
Out	Normal end flag	Output	Normal end flag TRUE: Normal end FALSE: Error end	Depends on data type.	---	---

\*1. If you omit an input parameter, the default value is not applied. A building error will occur.

	Boo lean	Bit strings				Integers							Real numbers		Times, durations, dates, and text strings					
	BOOL	BYTE	WORD	DWORD	LWORD	USINT	UINT	UDINT	ULINT	SINT	INT	DINT	LINT	REAL	LREAL	TIME	DATE	TOD	DT	STRING
PrgName																				OK
isFirstRun	OK																			
Out	OK																			

## Function

The PrgStart instruction enables execution of the program specified with *PrgName*.

The specified program is executed the next time the timing for executing the program occurs. An error does not occur even if the specified program is already enabled.

The specified program can be in the same task as this instruction, or it can be in a different task.

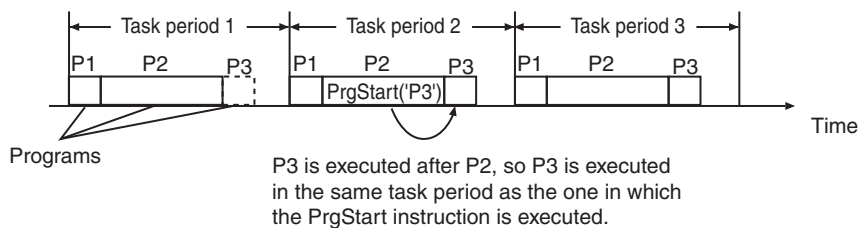
The value of *Out* is TRUE if the instruction ends normally, and FALSE if the instruction ends in an error.

## Operation Example When a Program in the Current Task Is Specified

An operation example is provided below for when a program is specified that is in the same task as the task that executes the instruction.

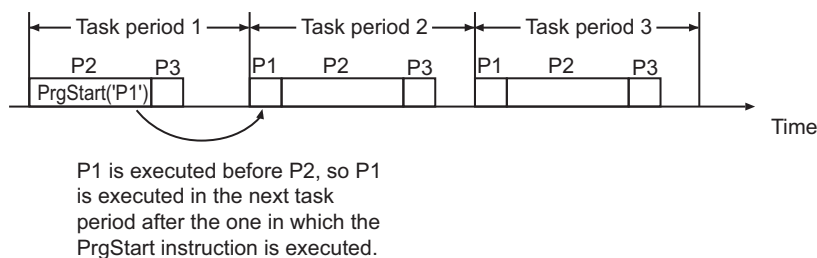
### ● Enabling a Program Executed After the PrgStart Instruction

- In this example, there are three programs, P1, P2, and P3, in the same task.
- P3 is disabled from task period 1.
- The PrgStart instruction with P3 specified is executed in P2 of task period 2.
- P3 is executed after P2, so P3 is executed in task period 2.
- Thereafter, P3 remains enabled even if you do not execute the PrgStart instruction with P3 specified.



### ● Enabling a Program Executed Before the PrgStart Instruction

- In this example, there are three programs, P1, P2, and P3, in the same task.
- P1 is disabled from task period 1.
- The PrgStart instruction with P1 specified is executed in P2 of task period 1.
- P1 is executed before P2, so P1 is executed in task period 2.
- Thereafter, P1 remains enabled even if you do not execute the PrgStart instruction with P1 specified.

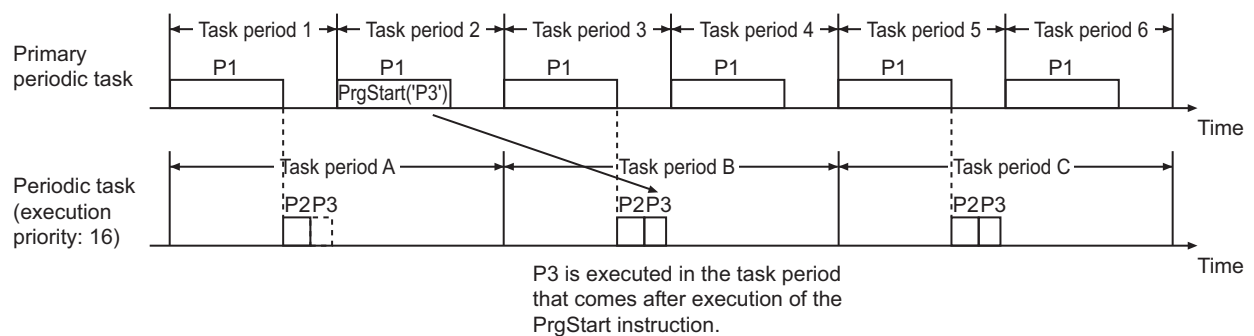


## Operation Example When a Program in a Different Task Is Specified

An operation example is provided below for when a program is specified that is in a different task from the task that executes the instruction.

### ● Enabling a Program in a Task with a Lower Execution Priority Than the Current Task

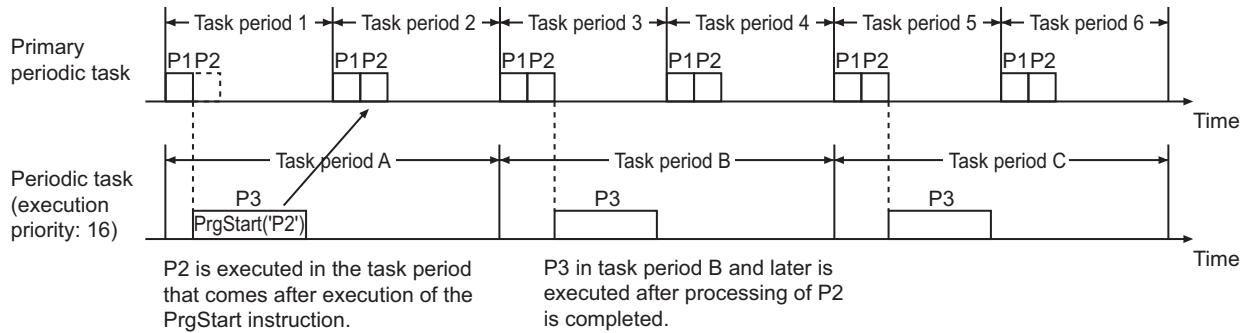
- There are three programs in this example. P1 is in the primary periodic task, and P2 and P3 are in a periodic task.
- P3 is disabled from task period A of the periodic task.
- The PrgStart instruction with P3 specified is executed in P1 of task period 2 of the primary periodic task.
- P3 is executed in task period B of the periodic task, which is executed after the PrgStart instruction is executed.
- Thereafter, P3 remains enabled even if you do not execute the PrgStart instruction with P3 specified.



### ● Enabling a Program in a Task with a Higher Execution Priority Than the Current Task

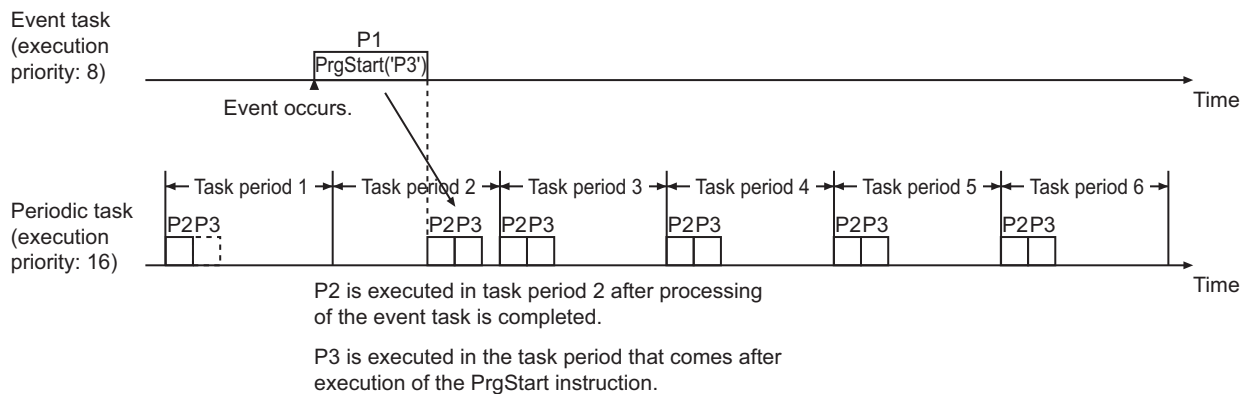
- There are three programs in this example. P1 and P2 are in the primary periodic task, and P3 is in a periodic task.
- P2 is disabled from task period 1 of the primary periodic task.
- The PrgStart instruction with P2 specified is executed in P3 of task period A of the periodic task.
- P2 is executed in task period 2 of the primary periodic task, which is executed after the PrgStart instruction is executed.
- Thereafter, P2 remains enabled even if you do not execute the PrgStart instruction with P2 specified.
- The primary periodic task has a higher execution priority than a periodic task, so P3 in task period B and later is executed after processing of P2 is completed.





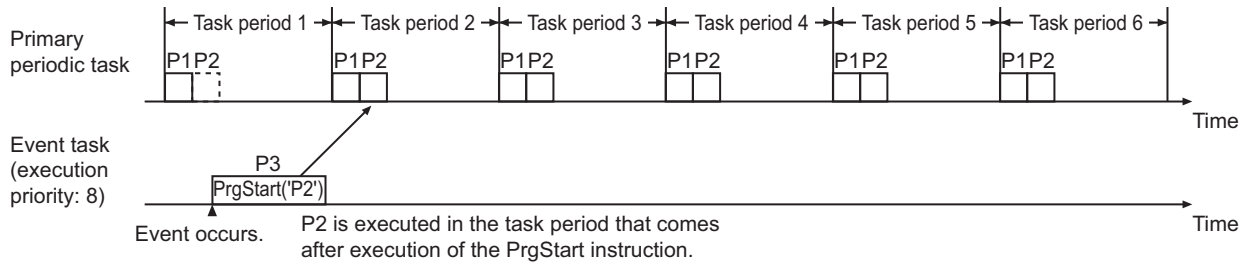
### ● Enabling a Program in a Task with a Lower Execution Priority from an Event Task

- There are three programs in this example. P1 is in an event task (execution priority: 8), and P2 and P3 are in a periodic task (execution priority: 16).
- P3 is disabled from task period 1 of the periodic task.
- The PrgStart instruction with P3 specified is executed in the event task.
- When the event task is executed, P2 and P3 in task period 2 of the periodic task are executed after processing of the event task is completed.
- As a result, P3 in task period 2 of the periodic task is executed because it comes after execution of the PrgStart instruction.
- Thereafter, P3 remains enabled even if you do not execute the PrgStart instruction with P3 specified.



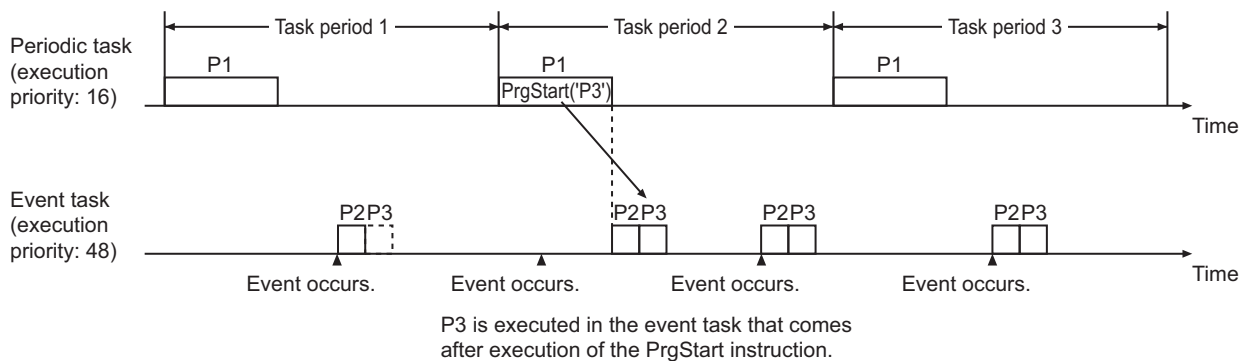
### ● Enabling a Program in a Task with a Higher Execution Priority from an Event Task

- There are three programs in this example. P1 and P2 are in the primary periodic task, and P3 is in an event task.
- P2 is disabled from task period 1 of the primary periodic task.
- The PrgStart instruction with P2 specified is executed in the event task.
- P2 is executed in task period 2 of the primary periodic task, which is executed after the PrgStart instruction is executed.
- Thereafter, P2 remains enabled even if you do not execute the PrgStart instruction with P2 specified.



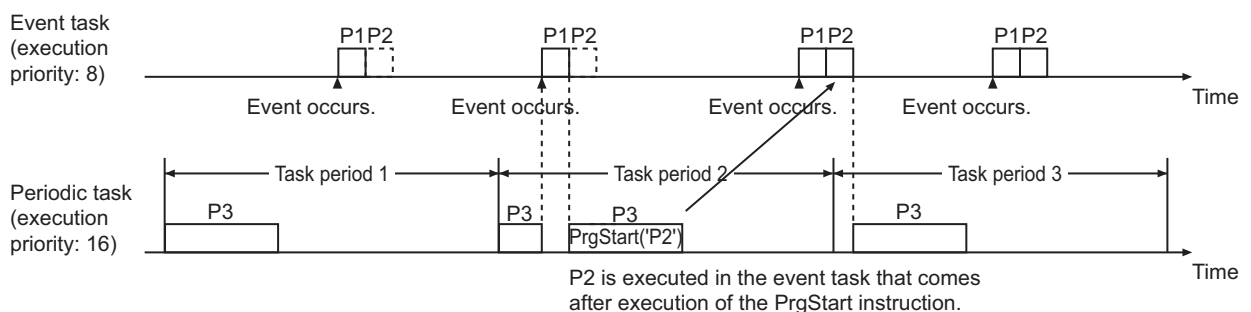
● **Enabling a Program in an Event Task with a Lower Execution Priority from a Periodic Task**

- There are three programs in this example. P1 is in a periodic task (execution priority: 16), and P2 and P3 are in an event task (execution priority: 48).
- P3 in the event task is disabled.
- The PrgStart instruction with P3 specified is executed in the periodic task.
- P3 is executed in the event task that is executed after the PrgStart instruction is executed.
- Thereafter, P3 remains enabled even if you do not execute the PrgStart instruction with P3 specified.



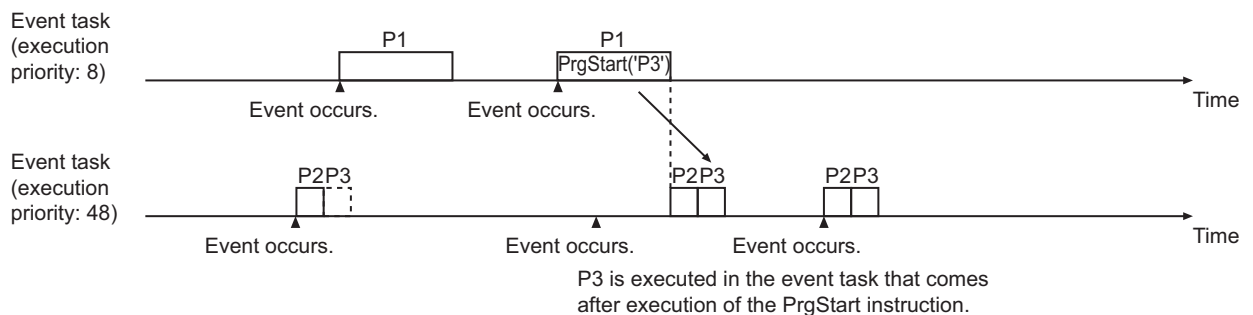
● **Enabling a Program in an Event Task with a Higher Execution Priority from a Periodic Task**

- There are three programs in this example. P1 and P2 are in an event task (execution priority: 8), and P2 is in a periodic task (execution priority: 16).
- P2 in the event task is disabled.
- The PrgStart instruction with P2 specified is executed in the periodic task.
- P2 is executed in the event task that is executed after the PrgStart instruction is executed.
- Thereafter, P2 remains enabled even if you do not execute the PrgStart instruction with P2 specified.



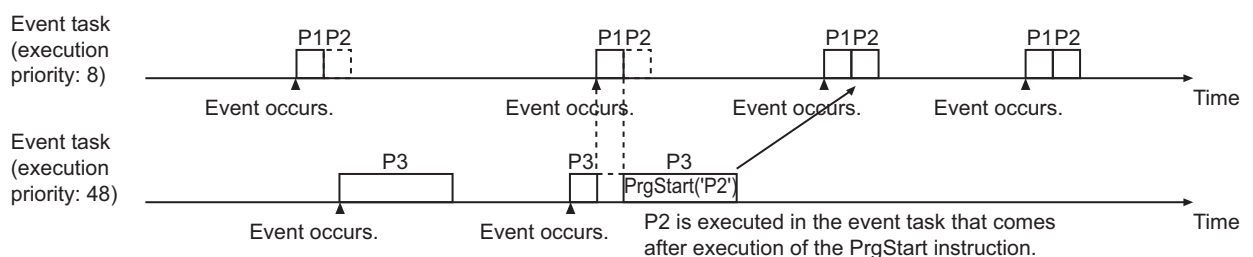
### ● Enabling a Program in an Event Task with a Lower Execution Priority from an Event Task

- There are three programs in this example. P1 is in an event task (execution priority: 8), and P2 and P3 are in an event task (execution priority: 48).
- P3 in the event task (execution priority: 48) is disabled.
- The PrgStart instruction with P3 specified is executed in the event task (execution priority: 8).
- P3 is executed in the event task (execution priority: 48) that is executed after the PrgStart instruction is executed.
- Thereafter, P3 remains enabled even if you do not execute the PrgStart instruction with P3 specified.



### ● Enabling a Program in an Event Task with a Higher Execution Priority from an Event Task

- There are three programs in this example. P1 and P2 are in an event task (execution priority: 8), and P3 is in an event task (execution priority: 48).
- P2 in the event task (execution priority: 8) is disabled.
- The PrgStart instruction with P2 specified is executed in the event task (execution priority: 48).
- P2 is executed in the event task (execution priority: 8) that is executed after the PrgStart instruction is executed.
- Thereafter, P2 remains enabled even if you do not execute the PrgStart instruction with P2 specified.



## First Program Period Flag Enable (*isFirstRun*)

*isFirstRun* determines whether the *P\_First\_Run* system-defined variable is enabled as shown in the following table.

If the value of *isFirstRun* is TRUE when the instruction is executed, the value of *P\_First\_Run* is TRUE for one task period when program execution starts.

If the value of *isFirstRun* is FALSE when the instruction is executed, the value of *P\_First\_Run* remains FALSE even when program execution starts.

Use *isFirstRun* to perform specific processing only if specific conditions are met when program execution starts.

When the specific conditions are met, change the value of *isFirstRun* to TRUE before you execute the instruction.

With this program, an algorithm is used to perform specific processing when the value of *P\_First\_Run* is TRUE.

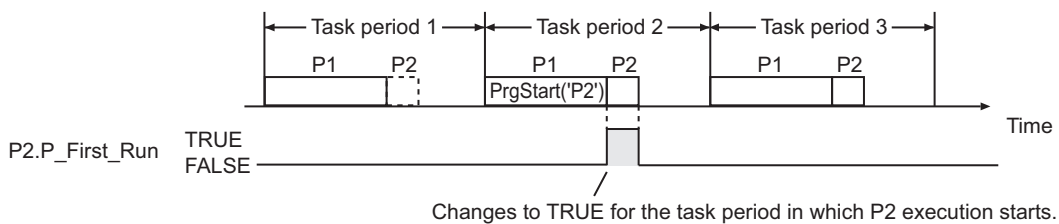
The relation between *isFirstRun* and *P\_First\_Run* is shown in the following table.

The behavior of *P\_First\_Run* depends on whether the specified program is disabled or already enabled.

Value of <i>isFirstRun</i>	Status of the program	Value of <i>P_First_Run</i>
TRUE	Disabled.	Changes to TRUE for one task period when the program is executed. Changes to FALSE in the following task period.
	Already enabled.	Remains FALSE.
FALSE	---	Remains FALSE.

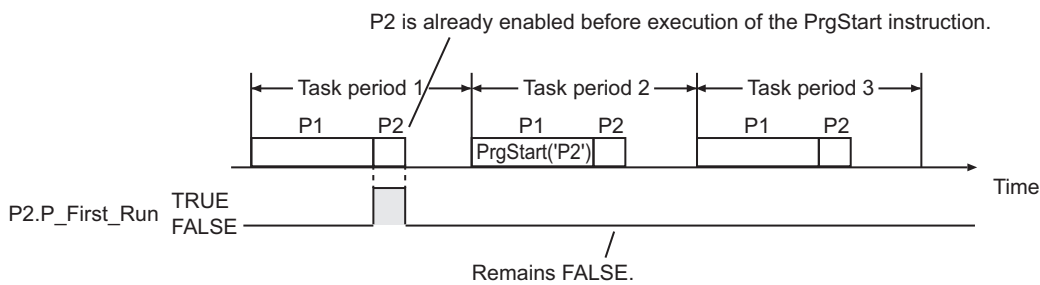
● **When the Value of *isFirstRun* Is TRUE and the Program Is Disabled**

The value of *P\_First\_Run* changes to TRUE for one task period when execution of the program starts. After that, the value of *P\_First\_Run* changes to FALSE.



● **When the Value of *isFirstRun* Is TRUE and the Program Is Already Enabled**

The value of *P\_First\_Run* remains FALSE even if the PrgStart instruction is executed.



● **When the Value of *isFirstRun* Is FALSE**

The value of *P\_First\_Run* remains FALSE even when execution of the program starts.



## Precautions for Correct Use

- An error will not occur even if you specify a program that is already in an enabled state and execute this instruction.
- If you execute this instruction more than once for the same program, the *isFirstRun* specification in the instruction instance that was executed first is used.
- If the PrgStop instruction is executed after executing the PrgStart instruction for the same program and it is executed before the program is actually executed, the program is not executed.
- If the PrgStart instruction is executed after executing the PrgStop instruction for the same program and it is executed before the execution timing for the program, the program is not disabled.
- The operation of the programs immediately after the operating mode of the CPU Unit changes to RUN mode is controlled by the setting of the *Initial Status* for each program on the Sysmac Studio. It means that the PrgStart or PrgStop instruction will be disabled after the change, if executed before the change.
- If this instruction is executed for a program in a different task, the execution timing of the specified program will depend on the task execution priority of both tasks. In some cases, the Controller may perform unexpected operation. You can execute this instruction in the first program in the task to which the specified program is assigned to make sure that the specified program is executed in the same task period as the instruction.
- Internal variables, input variables, output variables and in-out variables of the specified program retain the same values as those for the previous execution of the program. To initialize these variables before execution of the program, change the value of *isFirstRun* to TRUE and execute the instruction, and then perform initialization processing in the specified program if the value of *P\_First\_Run* is TRUE.
- An error will occur in the following case. *Out* will be FALSE.
  - a) The program specified by *PrgName* does not exist.

## Sample Programming

Refer to the *Sample Programming* on page 2-988 for the PrgStop instruction.

# PrgStop

The PrgStop instruction disables execution of the specified program.

Instruction	Name	FB/ FUN	Graphic expression	ST expression
PrgStop	Disable Program	FUN		Out:=PrgStop(PrgName);



## Version Information

A CPU Unit with unit version 1.08 or later and Sysmac Studio version 1.09 or higher are required to use this instruction.

## Variables

	Meaning	I/O	Description	Valid range	Unit	Default
PrgName	Program name	Input	Name of specified program	128 bytes max. (127 single-byte alphanumeric characters plus the final NULL character)	---	*1
Out	Normal end flag	Output	Normal end flag TRUE: Normal end FALSE: Error end	Depends on data type.	---	---

\*1. If you omit an input parameter, the default value is not applied. A building error will occur.

	Boo lean	Bit strings				Integers								Real numbers		Times, durations, dates, and text strings				
	BOOL	BYTE	WORD	DWORD	LWORD	USINT	UINT	UDINT	ULINT	SINT	INT	DINT	LINT	REAL	LREAL	TIME	DATE	TOD	DT	STRING
PrgName																				OK
Out	OK																			

## Function

The PrgStop instruction disables execution of the program specified with *PrgName*.

The specified program is disabled from the next time the timing for executing the program occurs.

An error does not occur even if the specified program is already disabled.

The specified program can be in the same task as this instruction, or it can be in a different task.

You can specify the program that contains this instruction. If you specify the program that contains the instruction, the program is executed to the end in the task period in which the instruction is executed and then the program is disabled from the next task period.

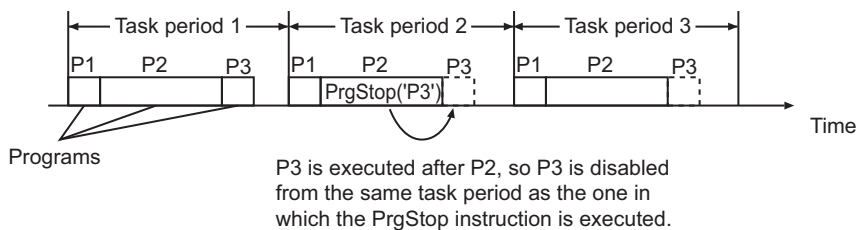
The value of *Out* is TRUE if the instruction ends normally, and FALSE if the instruction ends in an error.

## Operation Example When a Program in the Current Task Is Specified

An operation example is provided below for when a program is specified that is in the same task as the task that executes the instruction.

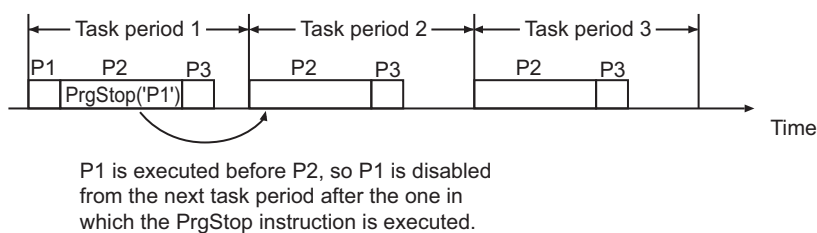
### ● Disabling a Program Executed After the PrgStop Instruction

- In this example, there are three programs, P1, P2, and P3, in the same task.
- P3 is executed in task period 1.
- The PrgStop instruction with P3 specified is executed in P2 of task period 2.
- P3 is executed after P2, so P3 is disabled from task period 2.
- Thereafter, P3 remains disabled even if you do not execute the PrgStop instruction with P3 specified.



### ● Disabling a Program Executed Before the PrgStop Instruction

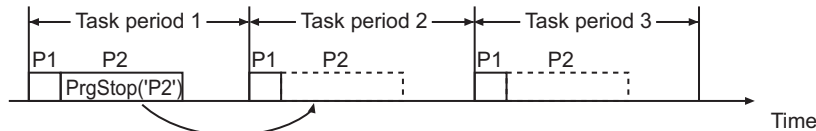
- In this example, there are three programs, P1, P2, and P3, in the same task.
- P1 is executed in task period 1.
- The PrgStop instruction with P2 specified is executed in P2 of task period 1.
- P1 is executed before P2, so P1 is disabled from task period 2.
- Thereafter, P1 remains disabled even if you do not execute the PrgStop instruction with P1 specified.



### ● Disabling the Program That Includes the PrgStop Instruction

- In this example, there are two programs, P1 and P2, in the same task.
- P2 is executed in task period 1.
- The PrgStop instruction with P2 specified is executed in P2 of task period 1.
- P2 is executed to the end of the program in task period 1.
- P2 is disabled from task period 2.
- Thereafter, P2 remains disabled even if you do not execute the PrgStop instruction with P2 specified.





The program is executed to the end in the task period in which the PrgStop instruction is executed.

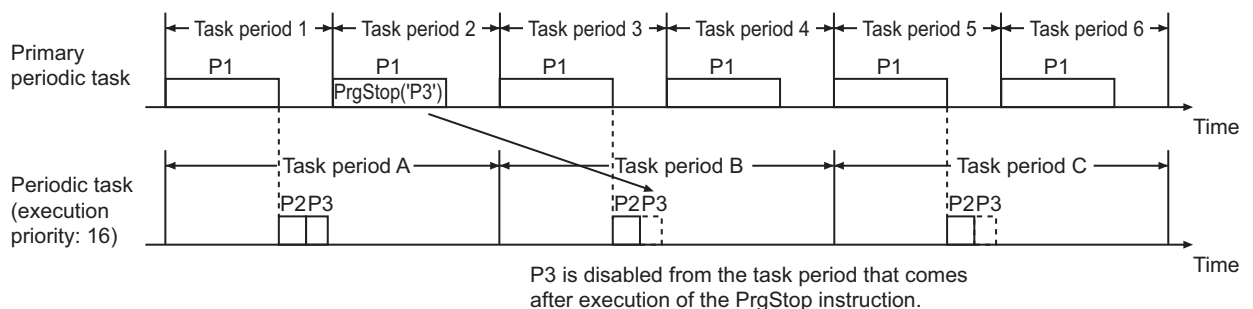
The program is disabled from the next task period after the one in which the PrgStop instruction is executed.

## Operation Example When a Program in a Different Task Is Specified

An operation example is provided below for when a program is specified that is in a different task from the task that executes the instruction.

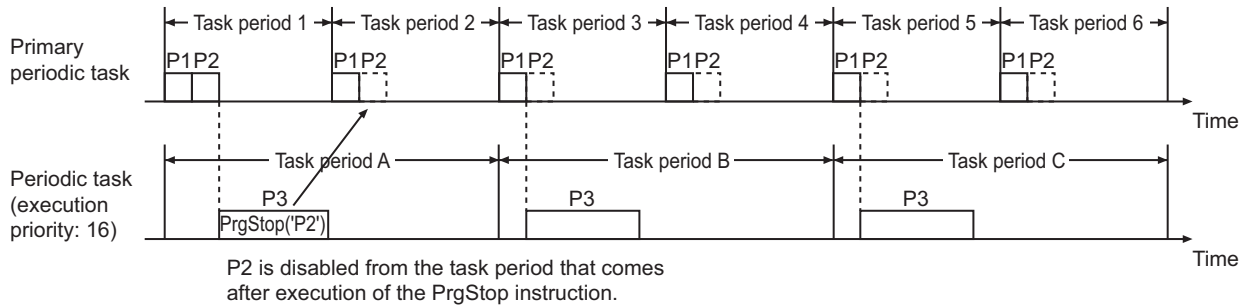
### Disabling a Program in a Task with a Lower Execution Priority Than the Current Task

- There are three programs in this example. P1 is in the primary periodic task, and P2 and P3 are in a periodic task.
- P3 is executed in task period A of the periodic task.
- The PrgStop instruction with P3 specified is executed in P1 of task period 2 of the primary periodic task.
- P3 is disabled from task period B of the periodic task, which is executed after the PrgStop instruction is executed.
- Thereafter, P3 remains disabled even if you do not execute the PrgStop instruction with P3 specified.



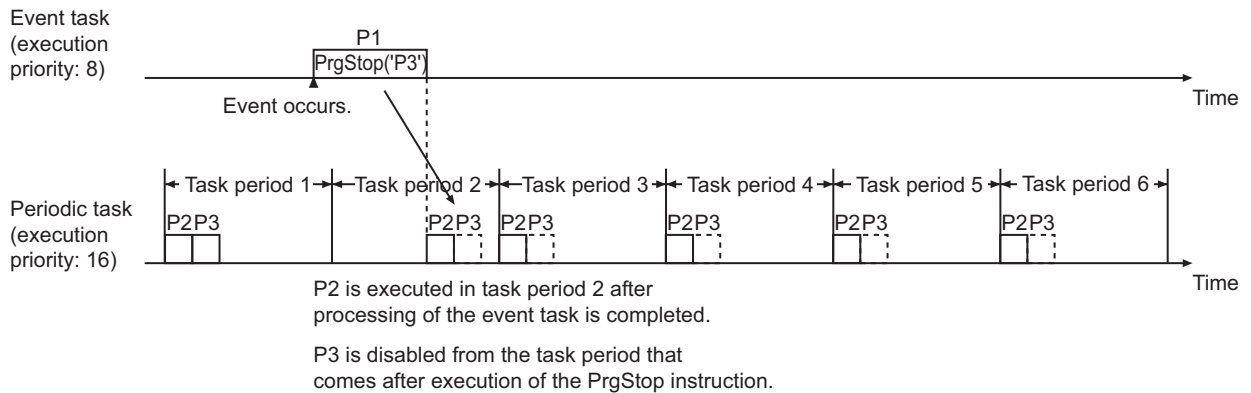
### Disabling a Program in a Task with a Higher Execution Priority Than the Current Task

- There are three programs in this example. P1 and P2 are in the primary periodic task, and P3 is in a periodic task.
- P2 is executed in task period 1 of the primary periodic task.
- The PrgStop instruction with P2 specified is executed in P3 of task period A of the periodic task.
- P2 is disabled from task period 2 of the primary periodic task, which is executed after the PrgStop instruction is executed.
- Thereafter, P2 remains disabled even if you do not execute the PrgStop instruction with P2 specified.



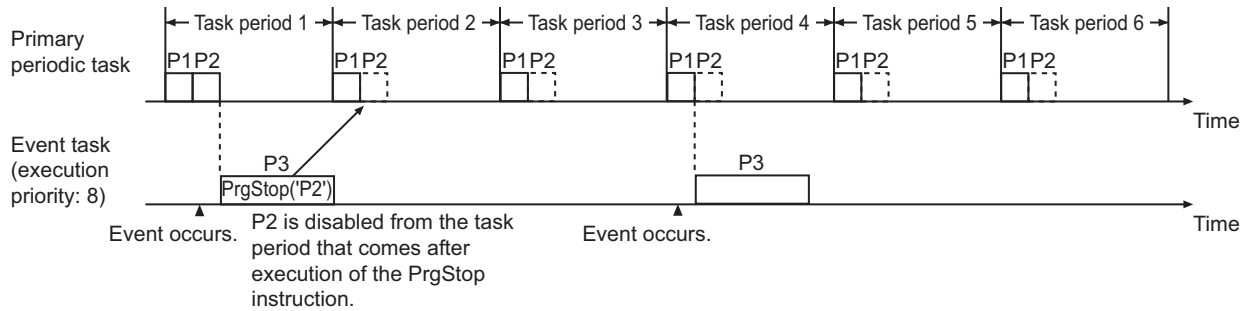
● **Disabling a Program in a Task with a Lower Execution Priority from an Event Task**

- There are three programs in this example. P1 is in an event task (execution priority: 8), and P2 and P3 are in a periodic task (execution priority: 16).
- P3 is executed in task period 1 of the periodic task.
- The PrgStop instruction with P3 specified is executed in the event task.
- When the event task is executed, P2 and P3 in task period 2 of the periodic task are executed after processing of the event task is completed.
- As a result, P3 in task period 2 of the periodic task is disabled because it comes after execution of the PrgStop instruction.
- Thereafter, P3 remains disabled even if you do not execute the PrgStop instruction with P3 specified.



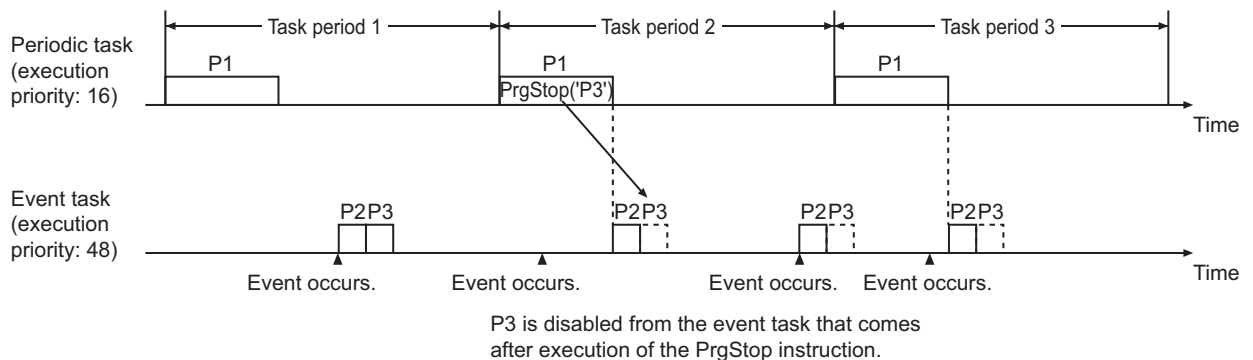
● **Disabling a Program in a Task with a Higher Execution Priority from an Event Task**

- There are three programs in this example. P1 and P2 are in the primary periodic task, and P3 is in an event task.
- P2 is executed in task period 1 of the primary periodic task.
- The PrgStop instruction with P2 specified is executed in the event task.
- P2 is disabled from task period 2 of the primary periodic task, which is executed after the PrgStop instruction is executed.
- Thereafter, P2 remains disabled even if you do not execute the PrgStop instruction with P2 specified.



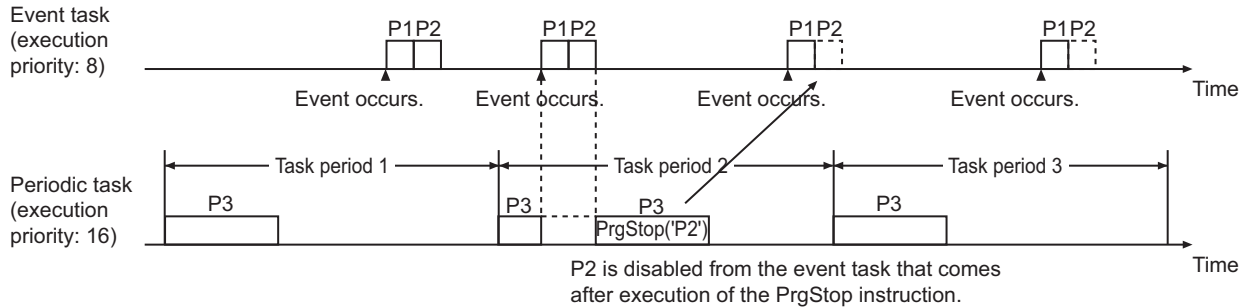
### ● Disabling a Program in an Event Task with a Lower Execution Priority from a Periodic Task

- There are three programs in this example. P1 is in a periodic task (execution priority: 16), and P2 and P3 are in an event task (execution priority: 48).
- P3 is executed in the event task.
- The PrgStop instruction with P3 specified is executed in the periodic task.
- P3 in the event task is disabled from the event task that is executed after the PrgStop instruction is executed.
- Thereafter, P3 remains disabled even if you do not execute the PrgStop instruction with P3 specified.



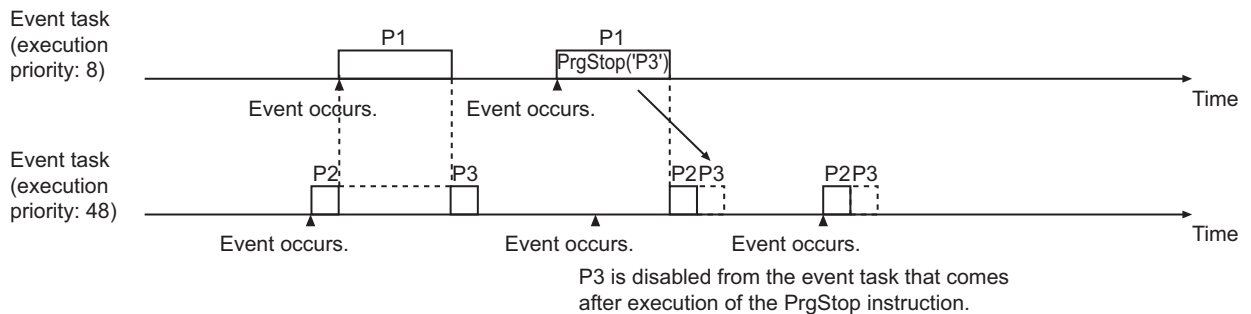
### ● Disabling a Program in an Event Task with a Higher Execution Priority from a Periodic Task

- There are three programs in this example. P1 and P2 are in an event task (execution priority: 8), and P2 is in a periodic task (execution priority: 16).
- P2 is executed in the event task.
- The PrgStop instruction with P2 specified is executed in the periodic task.
- P2 in the event task is disabled from the event task that is executed after the PrgStop instruction is executed.
- Thereafter, P2 remains disabled even if you do not execute the PrgStop instruction with P2 specified.



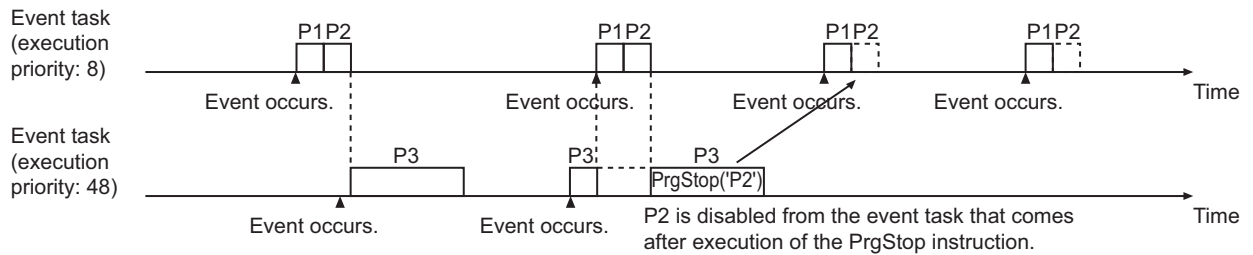
● **Disabling a Program in an Event Task with a Lower Execution Priority from an Event Task**

- There are three programs in this example. P1 is in an event task (execution priority: 8), and P2 and P3 are in an event task (execution priority: 48).
- P3 in the event task (execution priority: 48) is executed.
- The PrgStop instruction with P3 specified is executed in the event task (execution priority: 8).
- P3 in the event task (execution priority: 48) is disabled from the event task (execution priority: 48) that is executed after the PrgStop instruction is executed.
- Thereafter, P3 remains disabled even if you do not execute the PrgStop instruction with P3 specified.



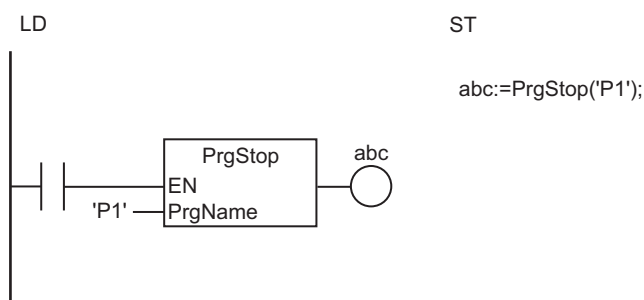
● **Disabling a Program in an Event Task with a Higher Execution Priority from an Event Task**

- There are three programs in this example. P1 and P2 are in an event task (execution priority: 8), and P3 is in an event task (execution priority: 48).
- P2 in the event task (execution priority: 8) is executed.
- The PrgStop instruction with P2 specified is executed in the event task (execution priority: 48).
- P2 in the event task (execution priority: 8) is disabled from the event task (execution priority: 8) that is executed after the PrgStop instruction is executed.
- Thereafter, P2 remains disabled even if you do not execute the PrgStop instruction with P2 specified.



## Notation Example

The following example shows the notation for specifying disabling program 'P1'.



## Additional Information

- Use the instruction, *PrgStart* on page 2-972, to enable a specified program from the user program.
- Use the instruction, *PrgStatus* on page 2-1000, to read the status of a specified program from the user program.

## Precautions for Correct Use

- An error will not occur even if you specify a program that is already in a disabled state and execute this instruction.
- If the PrgStop instruction is executed after executing the PrgStart instruction for the same program and it is executed before the program is actually executed, the program is not executed.
- If the PrgStart instruction is executed after executing the PrgStop instruction for the same program and it is executed before the execution timing for the program, the program is not disabled.
- Processing for instructions that have an *Execute* input variable is continued until it is completed even if the execution time exceeds the task period. Before you disable a program that has this kind of instruction, check if the value of *Busy* for the instruction is FALSE to make sure that execution of the instruction is not in progress.
- Execution of the NX\_DOutTimeStamp or NX\_AryDOutTimeStamp instruction may require more than one task. Before you disable a program that has these instructions, check if the value of *Enable* for the instruction is FALSE.
- The operation of the programs immediately after the operating mode of the CPU Unit changes to RUN mode is controlled by the setting of the *Initial Status* for each program on the Sysmac Studio. It means that the PrgStart or PrgStop instruction will be disabled after the change, if executed before the change.

- If this instruction is executed for a program in a different task, the timing of disabling the specified program will depend on the task execution priority of both tasks. In some cases, the Controller may perform unexpected operation. You can execute this instruction in the first program in the task to which the specified program is assigned to make sure that the specified program is disabled in the same task period as the instruction.
- Confirm the following for the specified program before you execute this instruction.
  - a) The execution of a motion control instruction is not in progress.
  - b) Processing for instructions that have an *Execute* input variable, i.e., instructions for which execution is continued until processing is completed even if the execution time exceeds the task period, is not in progress.
  - c) There are no time stamp instructions that are waiting for the specified time.
- Program outputs are not reset when the specified program is disabled. The values from before the execution is disabled are retained. If you need to reset the outputs when the program is disabled, use master control within the specified program to reset them in advance.
- Even if you disable a program with this instruction, processing for any function block instruction with an *Execute* input variable in the program is continued to the end.
- Even if you disable a program with this instruction, processing for any motion control instructions in the program is continued to the end.
- An error will occur in the following case. *Out* will be FALSE.
  - a) The program specified by *PrgName* does not exist.

## Sample Programming

This section provides two example programs for explanation.

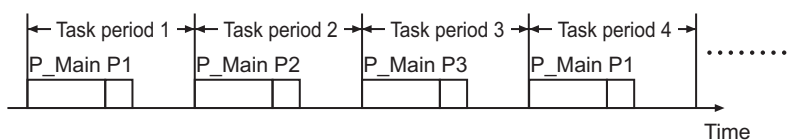
### Example of sequential execution of programs

The following shows an example where three programs are executed one by one for every task period.

In this example, P1, P2, and P3 are provided as example programs.

These programs are executed sequentially one by one in rotation for every task period.

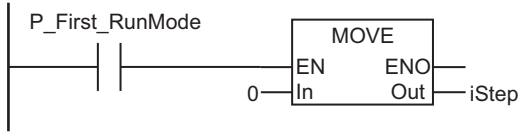
P\_Main is the program that gives instructions to enable or disable the three programs.



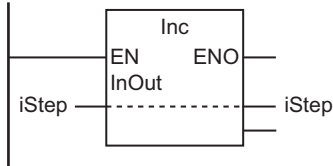
#### ● LD

Variable	Data type	Default	Comment
iStep	DINT	0	Number of program to execute

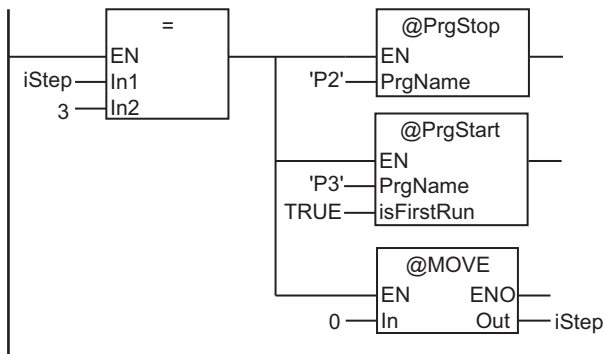
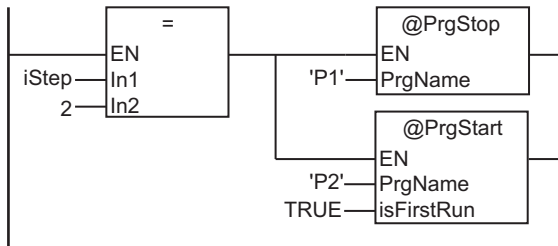
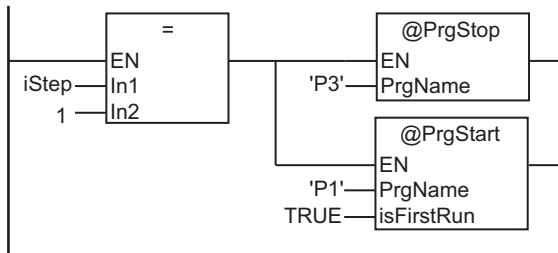
Set *iStep* variable to 0 at start of operation.



Increment *iStep* variable.



Execute PrgStop and PrgStart instructions.



● ST

Variable	Data type	Default	Comment
iStep	DINT	0	Number of program to execute

```
// Set iStep variable to 0 at start of operation.
IF P_First_RunMode THEN
    iStep:=0;
```

```

END_IF;

// Increment iStep variable.
iStep:=iStep+1;

// Execute PrgStop and PrgStart instructions.
IF iStep = 1 THEN
  PrgStop('P3');
  PrgStart('P1',TRUE);
ELSIF iStep = 2 THEN
  PrgStop('P1');
  PrgStart('P2',FALSE);
ELSIF iStep = 3 THEN
  PrgStop('P2');
  PrgStart('P3',TRUE);
  iStep:=0;
END_IF;

```

## Execution of Specified Programs at the Next Start-up

This example shows a case where some of programs are specified to be executed at the next start-up.

You need to specify which programs should be executed at the next start-up before turning OFF the power supply to the Controller.

The next time the power supply is turned ON, only the specified programs are executed.

### ● Programs, Modules, and Module Configuration

There are eight programs from Program 1 to Program 8.

Each program belongs to one of five modules from Module A to Module E.

Module	Programs in module
Module A	Program 1
Module B	Program 2
Module C	Program 3 and Program 4
Module D	Program 5, Program 6, and Program 7
Module E	Program 8

The programs to execute are specified by specifying a module. A combination of modules to execute is called a module configuration.

For example, if a module configuration to execute Module A and Module C was specified, Program 1, Program 3, and Program 4 would be executed.

### ● Specifying Module Configurations to Execute

The module configurations are given with text data in a configuration file. The file name of the configuration file is Config.txt, and it is stored in the root directory of an SD Memory Card. The configuration file can contain more than one module configuration.

Before the power supply is turned OFF, a touch panel is used to specify the module configuration to execute next from the contents of the configuration file.



## ● Format of Configuration File

The format of the configuration file is given in the following table.

Row	Contents
Row 1	Number of module configurations
Row 2 and higher	Module configuration number, Module A execution flag <sup>*1</sup> , Module B execution flag, Module C execution flag, Module D execution flag, Module E execution flag

\*1. The module is executed if the flag is TRUE and not executed if the flag is FALSE.

An example of the contents of a configuration file is given below.

```
3
Config1, TRUE, TRUE, TRUE, FALSE, FALSE
Config2, TRUE, TRUE, FALSE, TRUE, FALSE
Config3, TRUE, TRUE, TRUE, FALSE, TRUE
```

This configuration file contains three configurations, Config1, Config2, and Config3.

Of these, the Config1 module configuration says to execute Module A, Module B, and Module C and to not execute Module D and Module E.

## ● Data Type Definitions

A structure called *myConfig* is defined as shown in the following table.

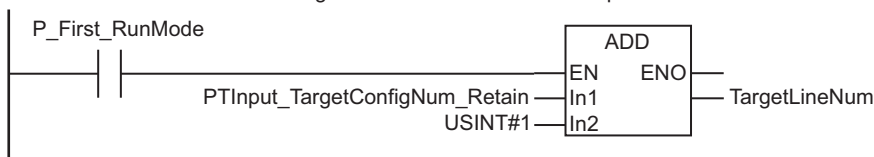
Structure	Variable	Data type	Offset type	Comment
▼	myConfig	STRUCT	NJ	Module configuration
	configName	STRING[32]		Module configuration name
	moduleA	BOOL		Module A execution flag
	moduleB	BOOL		Module B execution flag
	moduleC	BOOL		Module C execution flag
	moduleD	BOOL		Module D execution flag
	moduleE	BOOL		Module E execution flag

## ● LD

Variable	Data type	Default	Retain	Comment
Open	FileOpen		<input type="checkbox"/>	Instance of FileOpen instruction
TopLineGetter	FileGets		<input type="checkbox"/>	Instance of FileGets instruction
LineGetter	FileGets		<input type="checkbox"/>	Instance of FileGets instruction
Close	FileClose		<input type="checkbox"/>	Instance of FileClose instruction
PTInput_TargetConfigNum_Retain	USINT	0	<input checked="" type="checkbox"/>	Number of the module configuration to execute next time operation starts
CurrentLineNum	USINT	1	<input type="checkbox"/>	Current configuration file row
TargetLineNum	USINT	0	<input type="checkbox"/>	Row for <i>CurrentConfig</i> in configuration file
ConfigNum	USINT	1	<input type="checkbox"/>	Number given in row 1 of configuration file

Variable	Data type	Default	Retain	Comment
LineMax	USINT	3	<input type="checkbox"/>	Number of rows in configuration file obtained from <i>ConfigNum</i>
isOverLine	BOOL	FALSE	<input type="checkbox"/>	Error flag when value of <i>PTInput_TargetConfigNum_Retain</i> is larger than value of <i>LineMax</i>
Busy	BOOL	FALSE	<input type="checkbox"/>	Processing flag
SubDelINg	BOOL	FALSE	<input type="checkbox"/>	Read error end flag for <i>CurrentConfig</i>
Error	BOOL	FALSE	<input type="checkbox"/>	Error flag
opening	BOOL	FALSE	<input type="checkbox"/>	Configuration file open execution flag
myFileID	DWORD	0	<input type="checkbox"/>	File ID of configuration file
TopLineGetting	BOOL	FALSE	<input type="checkbox"/>	<i>ConfigNum</i> read execution flag
GetConfigNumDone	BOOL	FALSE	<input type="checkbox"/>	<i>ConfigNum</i> read done flag
SelectDone	BOOL	FALSE	<input type="checkbox"/>	<i>CurrentConfig</i> read done flag
reading	BOOL	FALSE	<input type="checkbox"/>	Configuration file row 2 or higher read execution flag
CurrentConfig	myConfig	(configName:=", moduleA:=FALSE, moduleB:=FALSE, moduleC:=FALSE, moduleD:=FALSE)	<input type="checkbox"/>	Module configuration to execute next time operation starts
Error_exceptOpen	BOOL	FALSE	<input type="checkbox"/>	Configuration file close execution flag when error occurs

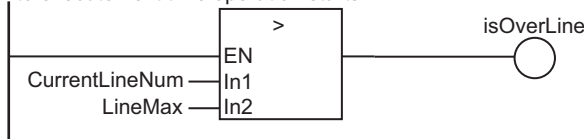
Get number of the module configuration to execute next time operation starts.



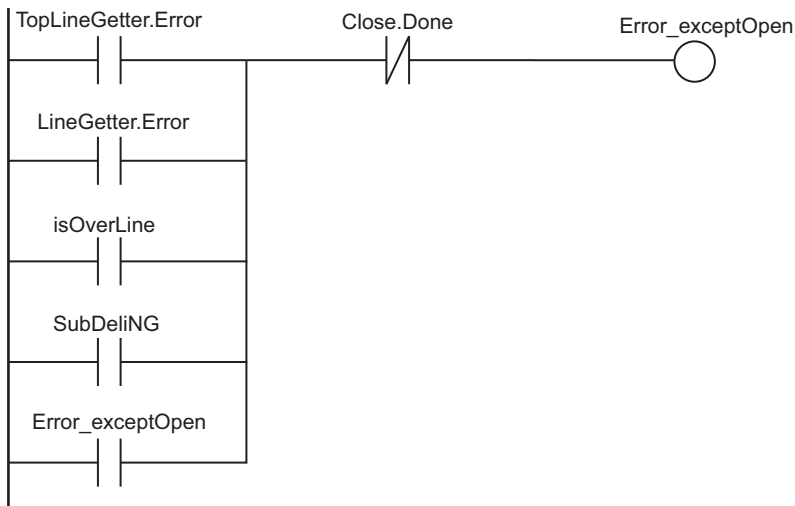
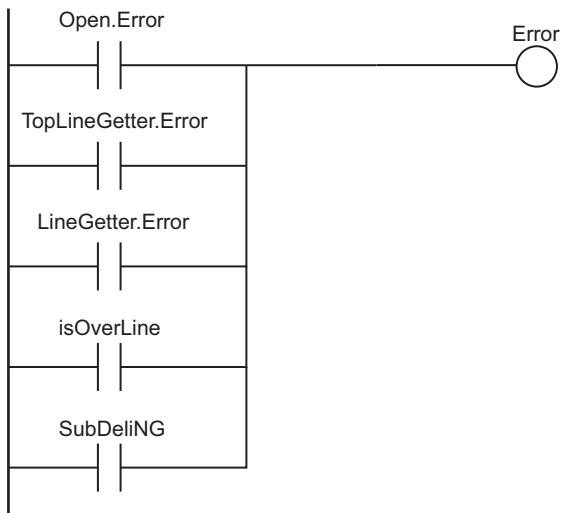
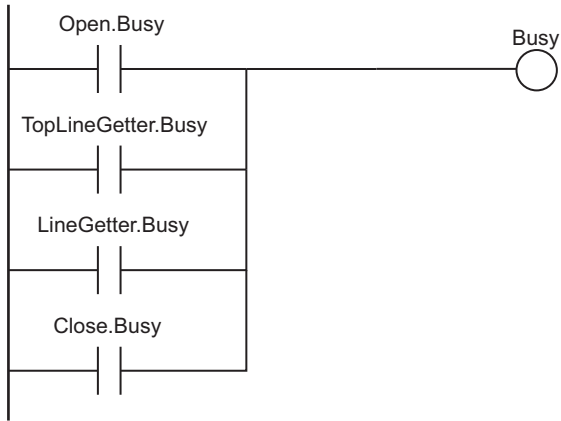
Calculate number of rows from contents of row 1 of configuration file.



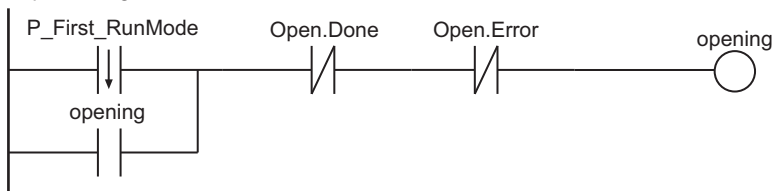
Detect error when number of rows in configuration file does not match number of the module configuration to execute next time operation starts.

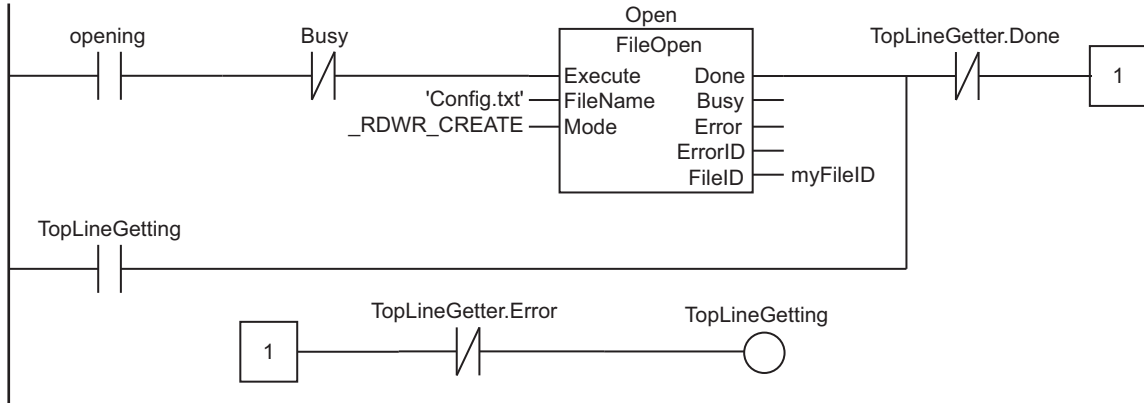


Manage processing flag and error flags.

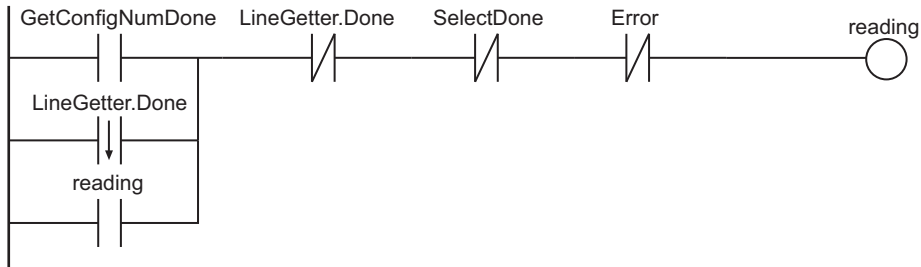
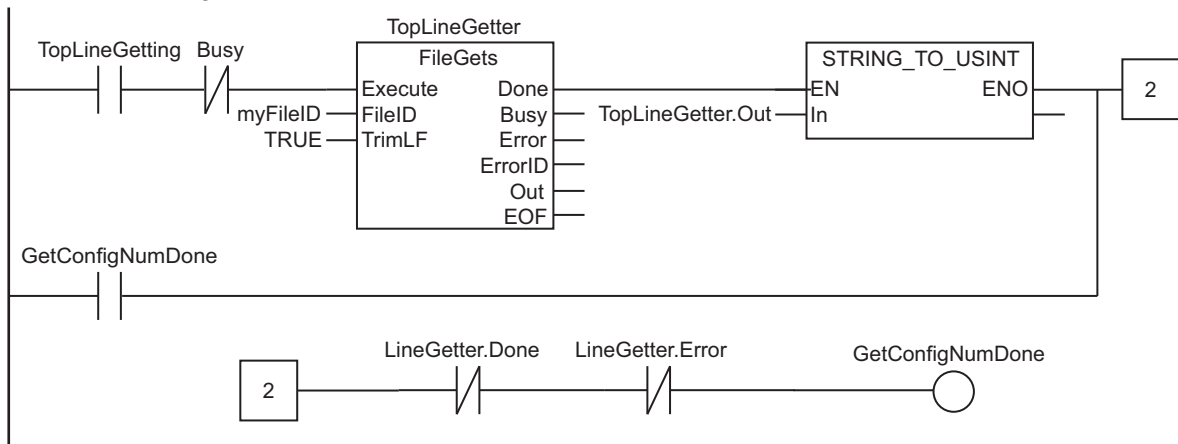


Open configuration file.

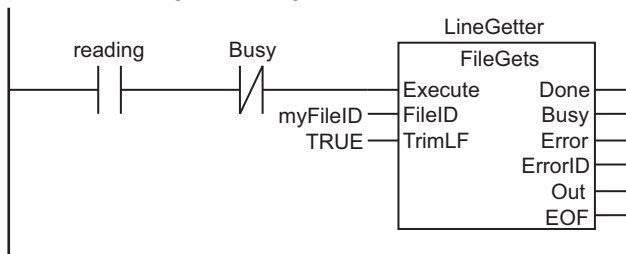


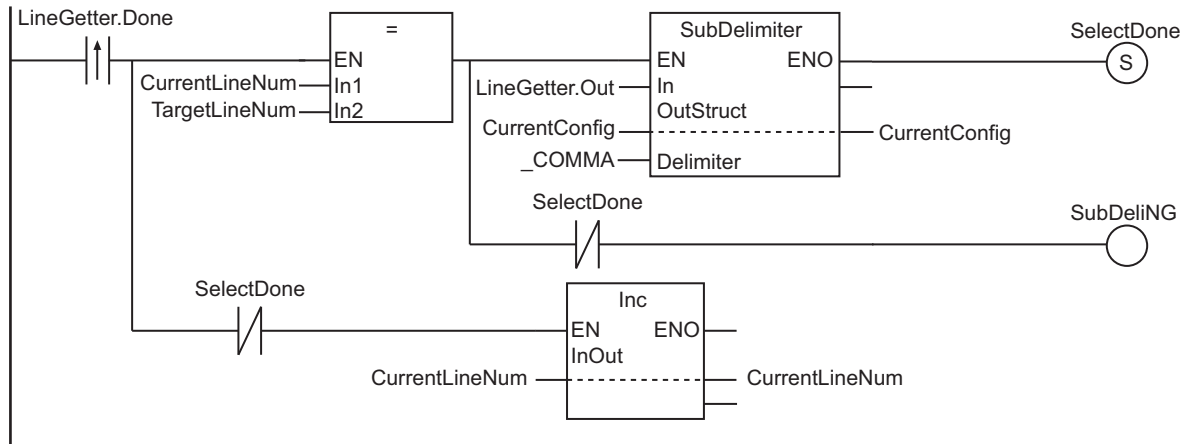


Read row 1 of configuration file.

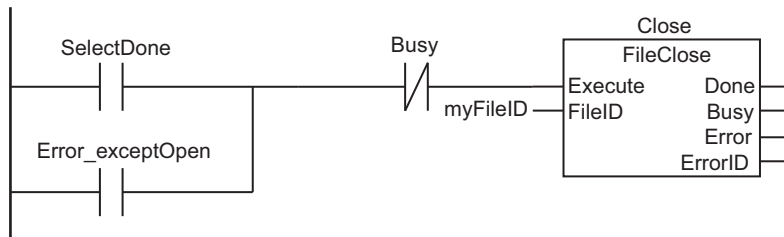


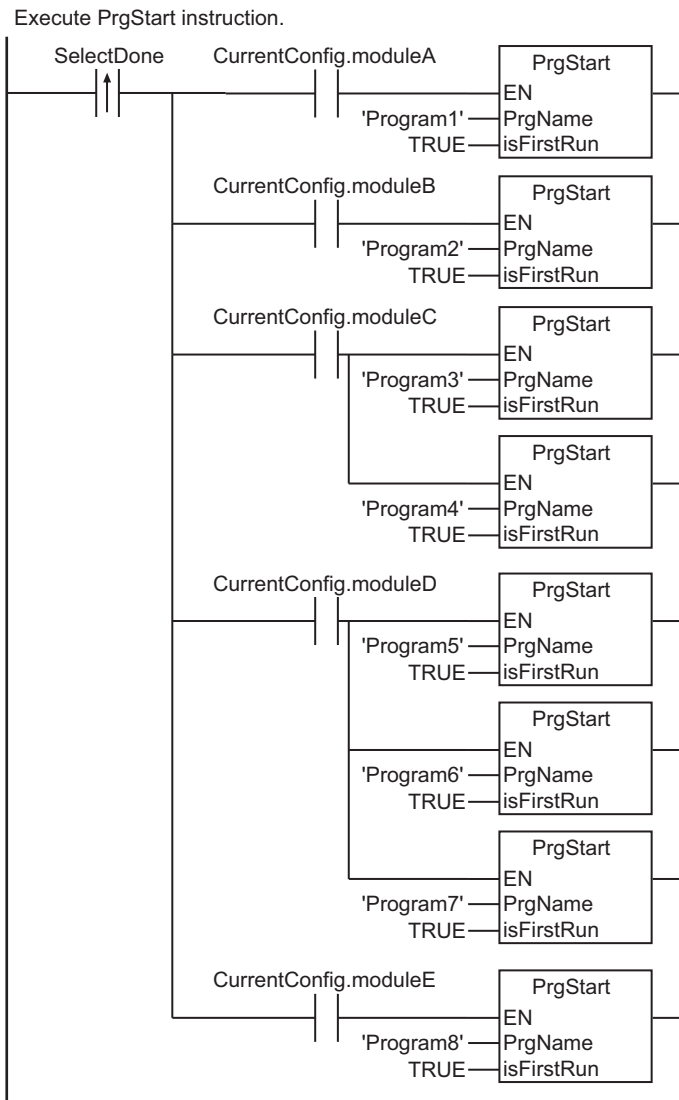
Read row 2 or higher of configuration file.





Close configuration file.





● ST

Variable	Data type	Default	Retain	Comment
Open	FileOpen		<input type="checkbox"/>	Instance of FileOpen instruction
TopLineGetter	FileGets		<input type="checkbox"/>	Instance of FileGets instruction
LineGetter	FileGets		<input type="checkbox"/>	Instance of FileGets instruction
Close	FileClose		<input type="checkbox"/>	Instance of FileClose instruction
PTInput_TargetConfigNum_Retain	USINT	0	<input checked="" type="checkbox"/>	Number of the module configuration to execute next time operation starts
CurrentLineNum	USINT	1	<input type="checkbox"/>	Current configuration file row
TargetLineNum	USINT	0	<input type="checkbox"/>	Row for <i>CurrentConfig</i> in configuration file
ConfigNum	USINT	1	<input type="checkbox"/>	Number given in row 1 of configuration file

Variable	Data type	Default	Retain	Comment
LineMax	USINT	3	<input type="checkbox"/>	Number of rows in configuration file obtained from <i>ConfigNum</i>
isOverLine	BOOL	FALSE	<input type="checkbox"/>	Error flag when value of <i>PTInput_TargetConfigNum_Retain</i> is larger than value of <i>LineMax</i>
Busy	BOOL	FALSE	<input type="checkbox"/>	Processing flag
SubDelinG	BOOL	FALSE	<input type="checkbox"/>	Read error end flag for <i>CurrentConfig</i>
Error	BOOL	FALSE	<input type="checkbox"/>	Error flag
opening	BOOL	FALSE	<input type="checkbox"/>	Configuration file open execution flag
myFileID	DWORD	0	<input type="checkbox"/>	File ID of configuration file
TopLineGetting	BOOL	FALSE	<input type="checkbox"/>	<i>ConfigNum</i> read execution flag
GetConfigNumDone	BOOL	FALSE	<input type="checkbox"/>	<i>ConfigNum</i> read done flag
SelectDone	BOOL	FALSE	<input type="checkbox"/>	<i>CurrentConfig</i> read done flag
reading	BOOL	FALSE	<input type="checkbox"/>	Configuration file row 2 or higher read execution flag
CurrentConfig	myConfig	(configName:="", moduleA:=FALSE, moduleB:=FALSE, moduleC:=FALSE, moduleD:=FALSE)	<input type="checkbox"/>	Module configuration to execute next time operation starts
Error_exceptOpen	BOOL	FALSE	<input type="checkbox"/>	Configuration file close execution flag when error occurs
R_GetConfigNumDone	R_TRIG		<input type="checkbox"/>	Instance of R_TRIG instruction
RS_1	RS		<input type="checkbox"/>	Instance of RS instruction
RS_2	RS		<input type="checkbox"/>	Instance of RS instruction
SecondCycle	F_TRIG		<input type="checkbox"/>	Instance of F_TRIG instruction
RS_3	RS		<input type="checkbox"/>	Instance of RS instruction
ConvertDone	BOOL	FALSE	<input type="checkbox"/>	Conversion done flag for converting character in row 1 of configuration file to a number.
RS_4	RS		<input type="checkbox"/>	Instance of RS instruction
F_LineGetterDone	F_TRIG		<input type="checkbox"/>	Instance of F_TRIG instruction
R_LineGetterDone	R_TRIG		<input type="checkbox"/>	Instance of R_TRIG instruction
isTargetLine	BOOL	FALSE	<input type="checkbox"/>	Flag to indicate that current row is the row of the module configuration to execute next time operation starts

Variable	Data type	Default	Retain	Comment
SubDeliCondition	BOOL	FALSE	<input type="checkbox"/>	Expansion execution flag from module configuration to <i>CurrentConfig</i>
RS_5	RS		<input type="checkbox"/>	Instance of RS instruction
SubDeliDone	BOOL	FALSE	<input type="checkbox"/>	Expansion done flag from module configuration to <i>CurrentConfig</i>
R_SelectDone	R_TRIG		<input type="checkbox"/>	Instance of R_TRIG instruction

```
// Get number of the module configuration to execute next time operation starts.
IF P_First_RunMode THEN
    TargetLineNum := PTInput_TargetConfigNum_Retain + USINT#1;
END_IF;

// Calculate number of rows from contents of row 1 of configuration file.
R_GetConfigNumDone(Clk:=GetConfigNumDone);
IF R_GetConfigNumDone.Q THEN
    LineMax := ConfigNum + USINT#1;
END_IF;

// Detect error when number of rows in configuration file does not match number of
the module configuration to execute next time operation starts.
isOverLine := (CurrentLineNum > LineMax);

// Manage processing flag and error flags.
Busy := Open.Busy OR TopLineGetter.Busy OR LineGetter.Busy OR Close.Busy;

Error := Open.Error OR TopLineGetter.Error OR LineGetter.Error OR isOverLine OR Sub
DelinG;

RS_1(Set:= (TopLineGetter.Error OR LineGetter.Error OR isOverLine OR SubDeliNG), re
set1 := Close.Done, Q1 => Error_exceptOpen);

// Open configuration file.
SecondCycle(Clk:=P_First_RunMode);
RS_2(Set := SecondCycle.Q, reset1:=(Open.Done OR Open.Error), Q1 => opening);
Open(Execute:=(opening & NOT(Busy)), FileName :='Config.txt', FileID => myFileID);
RS_3(Set := Open.Done, Reset1:=(TopLineGetter.Done OR TopLineGetter.Error), Q1=>Top
LineGetting);

// Read row 1 of configuration file.
TopLineGetter(Execute :=(TopLineGetting & NOT(Busy)), FileID := myFileID, TrimLF :=
TRUE);
ConfigNum := STRING_TO_USINT(EN:= TopLineGetter.Done, IN:=TopLineGetter.Out, ENO=>C
onvertDone);
RS_4(Set := ConvertDone, Reset1:=(Line4Getter.Done OR Line4Getter.Error), Q1=>GetConf
```



```

igNumDone);
F_LineGetterDone(Clk:=LineGetter.Done);
RS_5(Set := (GetConfigNumDone OR F_LineGetterDone.Q), Reset1:=(LineGetter.Done OR S
electDone OR Error), Q1=>reading);

// Read row 2 or higher of configuration file.
LineGetter(Execute:=(reading & NOT(Busy)), FileID:=myFileID, TrimLF := TRUE);
R_LineGetterDone(Clk:=LineGetter.Done);
isTargetLine := (CurrentLineNum = TargetLineNum);
SubDeliCondition := (R_LineGetterDone.Q & isTargetLine);
SubDelimiter(EN := SubDeliCondition, In := LineGetter.Out, OutStruct := CurrentConf
ig, Delimiter := _COMMA, ENO => SubDeliDone);
IF SubDeliDone THEN
    SelectDone := TRUE;
END_IF;
SubDelinG := (SubDeliCondition & NOT(SubDeliDone));
Inc(EN := (R_LineGetterDone.Q & NOT(SelectDone)), InOut:= CurrentLineNum);

// Close configuration file.
Close(Execute := ((SelectDone OR Error_exceptOpen) & NOT(Busy)), FileID := myFileID
);

// Execute PrgStart instruction.
R_SelectDone(Clk:=SelectDone);
//moduleA
PrgStart(EN := (R_SelectDone.Q & CurrentConfig.moduleA), PrgName :='Program1', isFi
rstRun:=TRUE);
//moduleB
PrgStart(EN := (R_SelectDone.Q & CurrentConfig.moduleB), PrgName :='Program2', isFi
rstRun:=TRUE);
//moduleC
PrgStart(EN := (R_SelectDone.Q & CurrentConfig.moduleC), PrgName :='Program3', isFi
rstRun:=TRUE);
PrgStart(EN := (R_SelectDone.Q & CurrentConfig.moduleC), PrgName :='Program4', isFi
rstRun:=TRUE);
//moduleD
PrgStart(EN := (R_SelectDone.Q & CurrentConfig.moduleD), PrgName :='Program5', isFi
rstRun:=TRUE);
PrgStart(EN := (R_SelectDone.Q & CurrentConfig.moduleD), PrgName :='Program6', isFi
rstRun:=TRUE);
PrgStart(EN := (R_SelectDone.Q & CurrentConfig.moduleD), PrgName :='Program7', isFi
rstRun:=TRUE);
//moduleE
PrgStart(EN := (R_SelectDone.Q & CurrentConfig.moduleE), PrgName :='Program8', isFi
rstRun:=TRUE);

```

# PrgStatus

The PrgStatus instruction reads the status of the specified program.

Instruction	Name	FB/ FUN	Graphic expression	ST expression
PrgStatus	Read Program Status	FUN		Out:=PrgStatus(PrgName);



## Version Information

A CPU Unit with unit version 1.08 or later and Sysmac Studio version 1.09 or higher are required to use this instruction.

## Variables

	Meaning	I/O	Description	Valid range	Unit	Default
PrgName	Program name	Input	Name of specified program	128 bytes max. (127 single-byte alphanumeric characters plus the final NULL character)	---	*1
Out	Program status	Output	Status of program the next time the timing for execution occurs TRUE: Enabled. FALSE: Disabled.	Depends on data type.	---	---

\*1. If you omit an input parameter, the default value is not applied. A building error will occur.

	Boo lean	Bit strings				Integers							Real num- bers		Times, durations, dates, and text strings						
	BOOL	BYTE	WORD	DWORD	LWORD	USINT	UINT	UDINT	ULINT	SINT	INT	DINT	LINT	REAL	LREAL	TIME	DATE	TOD	DT	STRING	
PrgName																					OK
Out	OK																				

## Function

The PrgStatus instruction reads the status of the program specified with *PrgName* for the next time the timing for executing the program occurs.

The value of *Out* is TRUE if the specified program will be enabled the next time the timing for executing it occurs.

The value of *Out* is FALSE if the specified program will be disabled the next time the timing for executing it occurs.

The following table shows the meaning of “enabled” and “disabled” for the next time the timing for executing a program occurs.

Program status	Description
Enabled the next time the timing for execution occurs	<ul style="list-style-type: none"> <li>The <i>Initial Status</i> for the relevant program is set to <b>Run</b> on the Sysmac Studio.</li> <li>The PrgStart instruction was executed for the program.</li> </ul>
Disabled the next time the timing for execution occurs	<ul style="list-style-type: none"> <li>The <i>Initial Status</i> for the relevant program is set to <b>Stop</b> on the Sysmac Studio.</li> <li>The PrgStop instruction was executed for the program.</li> </ul>

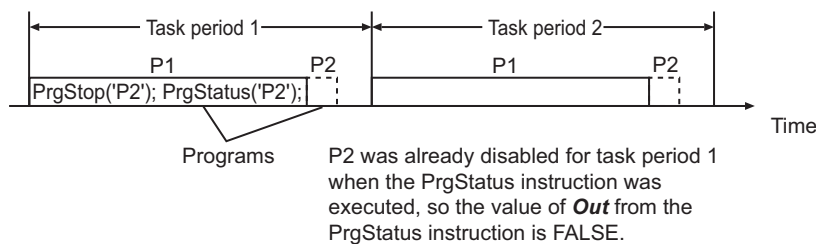
The specified program can be in the same task as this instruction, or it can be in a different task.

## Operation Example

This section provides some examples of the operation of this instruction.

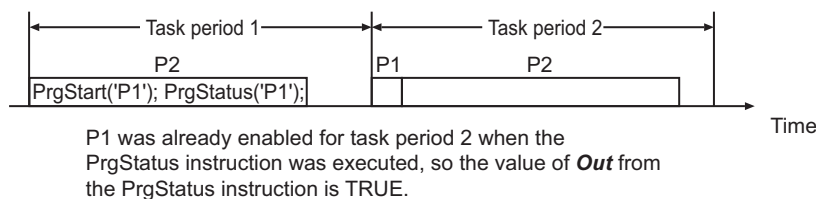
### ● Reading the Status of a Program After the PrgStatus Instruction in the Current Task

- In this example, there are two programs, P1 and P2, in the same task.
- The PrgStop instruction with P2 specified is executed in P1 of task period 1.
- The PrgStatus instruction with P2 specified is then executed in P1 of task period 1.
- P2 was disabled for task period 1, so the value of *Out* for the PrgStatus instruction is FALSE.



### ● Reading the Status of a Program Before the PrgStatus Instruction in the Current Task

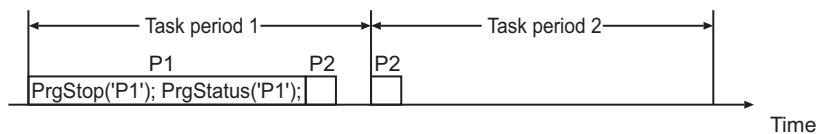
- In this example, there are two programs, P1 and P2, in the same task.
- The PrgStart instruction with P1 specified is executed in P2 of task period 1.
- The PrgStatus instruction with P1 specified is then executed in P2 of task period 1.
- P1 was enabled for task period 2, so the value of *Out* from the PrgStatus instruction is TRUE.



### ● Reading the Status of the Program That Includes the PrgStatus Instruction

- The PrgStop instruction with P1 specified is executed in P1 of task period 1.
- The PrgStatus instruction with P1 specified is then executed in P1 of task period 1.

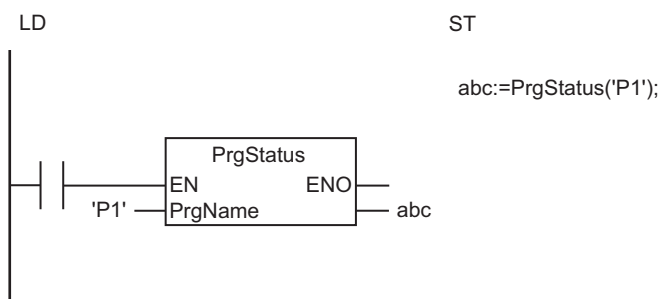
- P1 was disabled for task period 2, so the value of *Out* for the PrgStatus instruction is FALSE.



P1 was already disabled for task period 2 when the PrgStatus instruction was executed, so the value of **Out** from the PrgStatus instruction is FALSE.

### Notation Example

The following example shows the notation for reading the status of the 'P1' program.



### Additional Information

- Use the instruction, *PrgStart* on page 2-972, to enable a specified program from the user program.
- Use the instruction, *PrgStop* on page 2-981, to disable a specified program from the user program.

### Precautions for Correct Use

- An error will occur in the following case. *Out* will be FALSE.
  - a) The program specified by *PrgName* does not exist.

### Sample Programming

In this example, there are three programs, P1, P2, and P3. Operations on a touch panel are used to change the program to execute.

### Touch Panel Specifications

This example assumes that a touch panel is connected to the Controller. The touch panel has the following lamps.

Lamp name	Description
P1 executing lamp	Lit when P1 execution is in progress.
P2 executing lamp	Lit when P2 execution is in progress.
P3 executing lamp	Lit when P3 execution is in progress.

The touch panel also has the following buttons.

Button name	Operation when button is pressed
Execution program change button	Each time this button is pressed, the program to execute changes in order from P1 to P2 to P3, and then returns to P1.

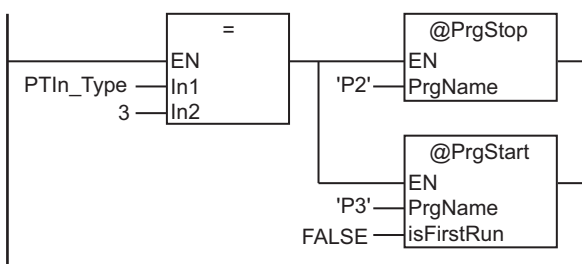
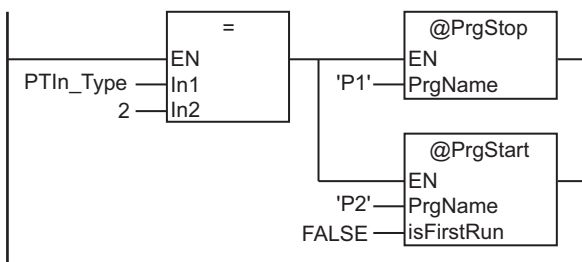
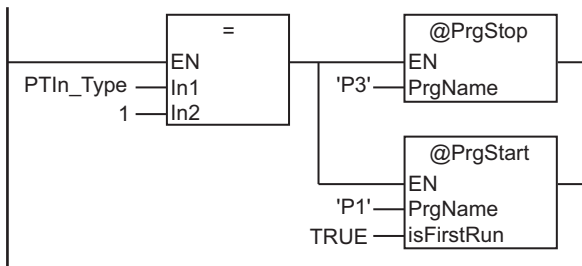
## Global Variables

Variable	Data type	Initial value	Comment
PTIn_Type	INT	0	Execution program change button input
PTOut_P1Status	BOOL	FALSE	P1 executing lamp output
PTOut_P2Status	BOOL	FALSE	P2 executing lamp output
PTOut_P3Status	BOOL	FALSE	P3 executing lamp output

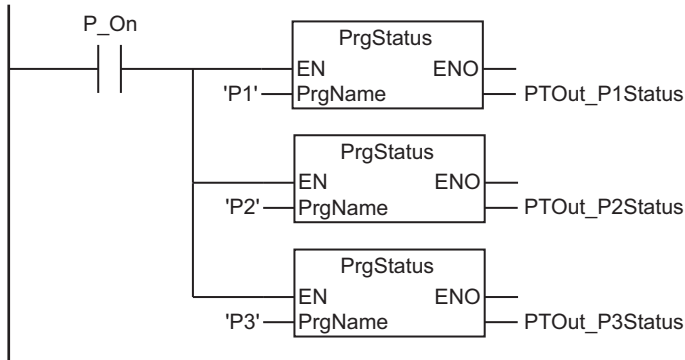
## LD

External Variables	Variable	Data type	Comment
	PTIn_Type	INT	Execution program change button input
	PTOut_P1Status	BOOL	P1 executing lamp output
	PTOut_P2Status	BOOL	P2 executing lamp output
	PTOut_P3Status	BOOL	P3 executing lamp output

Change program to execute.



Execute PrgStatus instruction.



### ST

External Variables	Variable	Data type	Comment
	PTIn_Type	INT	Execution program change button input
	PTOut_P1Status	BOOL	P1 executing lamp output
	PTOut_P2Status	BOOL	P2 executing lamp output
	PTOut_P3Status	BOOL	P3 executing lamp output

```
// Change program to execute.
IF PTIn_Type = 1 THEN
    PrgStop('P3');
    PrgStart('P1',TRUE);
ELSIF PTIn_Type = 2 THEN
    PrgStop('P1');
    PrgStart('P2',FALSE);
ELSIF PTIn_Type = 3 THEN
    PrgStop('P2');
    PrgStart('P3',FALSE);
END_IF;

// Execute PrgStatus instruction.
IF P_On THEN
    PTOut_P1Status:=PrgStatus('P1');
    PTOut_P2Status:=PrgStatus('P2');
    PTOut_P3Status:=PrgStatus('P3');
END_IF;
```

# EtherCAT Communications Instructions

Instruction	Name	Page
EC_CoESDOWrite	Write EtherCAT CoE SDO	page 2-1006
EC_CoESDORead	Read EtherCAT CoE SDO	page 2-1009
EC_StartMon	Start EtherCAT Packet Monitor	page 2-1015
EC_StopMon	Stop EtherCAT Packet Monitor	page 2-1021
EC_SaveMon	Save EtherCAT Packets	page 2-1023
EC_CopyMon	Transfer EtherCAT Packets	page 2-1025
EC_DisconnectSlave	Disconnect EtherCAT Slave	page 2-1027
EC_ConnectSlave	Connect EtherCAT Slave	page 2-1035
EC_ChangeEnableSetting	Enable/Disable EtherCAT Slave	page 2-1037
EC_GetMasterStatistics	Read EtherCAT Master Diagnostic and Statistical Information	page 2-1057
EC_ClearMasterStatistics	Clear EtherCAT Master Diagnostic and Statistical Information	page 2-1060
EC_GetSlaveStatistics	Read EtherCAT Slave Diagnostic and Statistical Information	page 2-1062
EC_ClearSlaveStatistics	Clear EtherCAT Slave Diagnostic and Statistical Information	page 2-1065
NX_WriteObj	Write NX Unit Object	page 2-1067
NX_ReadObj	Read NX Unit Object	page 2-1083

# EC\_CoESDOWrite

The EC\_CoESDOWrite instruction writes a value to a CoE (CAN Application Protocol over EtherCAT) object of a specified slave on the EtherCAT network.

Instruction	Name	FB/ FUN	Graphic expression	ST expression
EC_CoESDOWrite	Write EtherCAT CoE SDO	FB		EC_CoESDOWrite_instance(Execute, NodeAdr, SdoObj, Timeout, WriteDat, WriteSize, Done, Busy, Error, ErrorID, AbortCode);

## Variables

	Meaning	I/O	Description	Valid range	Unit	Default
NodeAdr	Slave node address	Input	Node address of the slave to access	1 to 512*1	---	---
SdoObj	SDO parameter		SDO parameter	---	---	---
Timeout	Timeout time		0: 2.0 s 1 to 65535: 0.1 to 6553.5 s	Depends on data type.	0.1 s	20 (2.0 s)
WriteDat	Write data		Write data	---	---	---
WriteSize	Write data size		Write data size*2	1 to 2048	Bytes	---
AbortCode	Abort code	Output	Response code for SDO access specified by CoE 0: Normal end	Depends on data type.	---	---

\*1. The range is 1 to 256 for the NX502 CPU Unit.

The range is 1 to 192 for the NX102 CPU Unit, NX1P2 CPU Unit, and NJ-series CPU Unit.

\*2. The write data size may be less than 1 byte, e.g., if the write data is BOOL or a BOOL array. If it is less than 1 byte, set the value of *WriteSize* to 1.

	Boo lean	Bit strings					Integers							Real numbers		Times, durations, dates, and text strings				
	BOOL	BYTE	WORD	DWORD	LWORD	USINT	UINT	UDINT	ULINT	SINT	INT	DINT	LINT	REAL	LREAL	TIME	DATE	TOD	DT	STRING
NodeAdr							OK													
SdoObj	Refer to <i>Function</i> on page 2-1007 for details on the structure <code>_sSDO_ACCESS</code> .																			
Timeout							OK													
WriteDat	OK	OK	OK	OK	OK	OK	OK	OK	OK	OK	OK	OK	OK	OK	OK	OK	OK	OK	OK	OK
	An enumeration, array, array element, structure member, or union member can also be specified.																			
WriteSize							OK													
AbortCode				OK																



## Function

The EC\_CoESDOWrite instruction writes data to the CoE object of the node specified with slave node address *NodeAdr*.

The content of *WriteDat* is written to the object. The size of data to write is specified with *WriteSize*.

The SDO parameter is specified with *SdoObj*.

The data type of *SdoObj* is structure `_sSDO_ACCESS`. The specifications are as follows:

Name	Meaning	Description	Data type	Valid range	Unit	Default
SdoObj	SDO parameter	SDO parameter	<code>_sSDO_ACCESS</code>	---	---	---
Index	Index	Index number in the object dictionary defined in CoE	UINT	1 to 65535		
Subindex	Subindex	Subindex number in the object dictionary defined in CoE	USINT			
IsCompleteAccess	Complete access	Specification of complete access of SDO TRUE: Access data for all subindexes FALSE: Access data for the specified subindex	BOOL	Depends on data type.	---	---

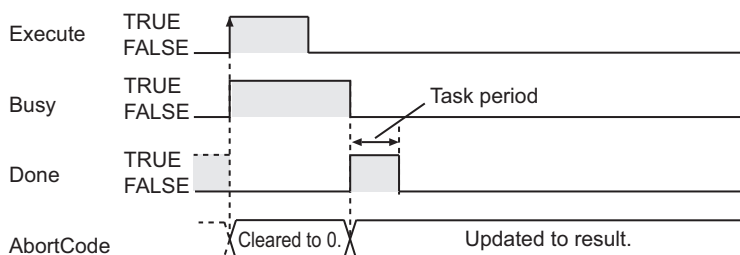
After the write is completed, the instruction waits for a response for the period of time specified with *TimeOut*.

The response is stored in *AbortCode*.

*AbortCode* is 0 for a normal response. A value is stored in *AbortCode* only when the value of *ErrorID* is 16#1804 (SDO abort response).

The value and meaning of *AbortCode* depend on the slave. Refer to the manual for the slave.

The following figure shows a timing chart. A value is stored in *AbortCode* when *Busy* changes to FALSE after the completion of instruction processing.



## Related System-defined Variables

Name	Meaning	Data type	Description
<code>_EC_MBXSlavTbl[i]</code> "i" is the node address.	Message Communications Enabled Slave Table	BOOL	This variable indicates whether communications are possible for each slave. TRUE: Communications are possible. FALSE: Communications are not possible.

### Additional Information

- Refer to the *NJ/NX-series CPU Unit Built-in EtherCAT Port User's Manual (Cat. No. W505)* for details on EtherCAT communications.
- Refer to *A-5 SDO Abort Codes* on page A-38 for the SDO abort codes.

### Precautions for Correct Use

- Always use a variable for the input parameter to pass to *WriteDat*. A building error will occur if a constant is passed.
- Execution of this instruction is continued until completed even if the value of *Execute* changes to FALSE or the execution time exceeds the task period. The value of *Done* changes to TRUE when processing is completed. Use this to confirm normal completion of the execution.
- Refer to *Using this Section* on page 2-3 for a timing chart for *Execute*, *Done*, *Busy*, and *Error*.
- This instruction can be used only for the NJ/NX-series EtherCAT ports.
- You can execute a maximum of 32 of the following instructions at the same time: EC\_CoESDOWrite, EC\_CoESDORead, EC\_StartMon, EC\_StopMon, EC\_SaveMon, EC\_CopyMon, EC\_DisconnectSlave, EC\_ConnectSlave, EC\_ChangeEnableSetting, EC\_GetMasterStatistics, EC\_ClearMasterStatistics, EC\_GetSlaveStatistics, EC\_ClearSlaveStatistics, IOL\_ReadObj, and IOL\_WriteObj.
- An error will occur in the following cases. *Error* will change to TRUE.
  - a) The EtherCAT master is not in a state that allows message communications.
  - b) The slave specified with *NodeAdr* does not exist.
  - c) The slave specified with *NodeAdr* is not in a state that allows communications.
  - d) The slave returns an error response.
  - e) More than 32 of the following instructions were executed at the same time: EC\_CoESDOWrite, EC\_CoESDORead, EC\_StartMon, EC\_StopMon, EC\_SaveMon, EC\_CopyMon, EC\_DisconnectSlave, EC\_ConnectSlave, EC\_ChangeEnableSetting, EC\_GetMasterStatistics, EC\_ClearMasterStatistics, EC\_GetSlaveStatistics, EC\_ClearSlaveStatistics, IOL\_ReadObj, and IOL\_WriteObj.

# EC\_CoESDORRead

The EC\_CoESDORRead instruction reads a value from a CoE (CAN Application Protocol over EtherCAT) object of a specified slave on the EtherCAT network.

Instruction	Name	FB/ FUN	Graphic expression	ST expression
EC_CoESDORRead	Read EtherCAT CoE SDO	FB		EC_CoESDORRead_instance(Execute, NodeAdr, SdoObj, TimeOut, ReadDat, Done, Busy, Error, ErrorID, AbortCode, ReadSize);

## Variables

	Meaning	I/O	Description	Valid range	Unit	Default
NodeAdr	Slave node address	Input	Node address of the slave to access	1 to 512 <sup>*1</sup>	---	---
SdoObj	SDO parameter		SDO parameter	---	---	---
TimeOut	Timeout time		0: 2.0 s 1 to 65535: 0.1 to 6553.5 s	Depends on data type.	0.1 s	0 (2.0 s)
AbortCode	Abort code	Output	Response code for SDO access specified by CoE 0: Normal end	Depends on data type.	---	---
ReadSize	Read data size		Size of data stored in <i>ReadDat</i> after the data is read <sup>*2</sup>		Bytes	
ReadDat	Read data	In-out	Read data buffer	Depends on data type.	---	---

\*1. The range is 1 to 256 for the NX502 CPU Unit.

The range is 1 to 192 for the NX102 CPU Unit, NX1P2 CPU Unit, and NJ-series CPU Unit.

\*2. The read data size may be less than 1 byte, e.g., if the read data is BOOL or a BOOL array. If it is less than 1 byte, set the value of *ReadSize* to 1.

	Boo lean	Bit strings					Integers							Real num- bers		Times, durations, dates, and text strings				
	BOOL	BYTE	WORD	DWORD	LWORD	USINT	UINT	UDINT	ULINT	SINT	INT	DINT	LINT	REAL	LREAL	TIME	DATE	TOD	DT	STRING
NodeAdr							OK													
SdoObj	Refer to <i>Function</i> on page 2-1010 for details on the structure <i>_sSDO_ACCESS</i> .																			
TimeOut							OK													
AbortCode				OK																

	Boo lean	Bit strings				Integers								Real num- bers		Times, durations, dates, and text strings				
	BOOL	BYTE	WORD	DWORD	LWORD	USINT	UINT	UDINT	ULINT	SINT	INT	DINT	LINT	REAL	LREAL	TIME	DATE	TOD	DT	STRING
ReadSize							OK													
ReadDat	OK	OK	OK	OK	OK	OK	OK	OK	OK	OK	OK	OK	OK	OK	OK	OK	OK	OK	OK	OK
An enumeration, array, array element, structure member, or union member can also be specified.																				

## Function

The EC\_CoESDORead instruction reads data from the CoE object of the node specified with slave node address *NodeAdr*.

The read data is stored in *ReadDat*. The size of the stored data is stored in *ReadSize*. The value of *ReadSize* is valid only when the data was stored successfully.

The SDO parameter is specified with *SdoObj*.

The data type of *SdoObj* is structure `_sSDO_ACCESS`. The specifications are as follows:

Name	Meaning	Description	Data type	Valid range	Unit	Default
SdoObj	SDO param- eter	SDO parameter	_sSDO_AC- CESS	---	---	---
Index	Index	Index number in the object dictionary de- fined in CoE	UINT	1 to 65535		
Subindex	Subindex	Subindex number in the object dictionary defined in CoE	USINT			
IsComple- teAccess	Complete access	Specification of com- plete access of SDO TRUE: Access data for all subindexes FALSE: Access data for the specified subin- dex	BOOL	Depends on data type.	---	---

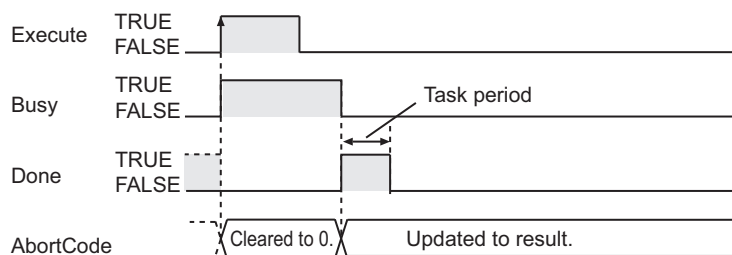
After the read is completed, the instruction waits for the response for the period of time specified with *TimeOut*.

The response is stored in *AbortCode*.

*AbortCode* is 0 for a normal response. A value is stored in *AbortCode* only when the value of *ErrorID* is 16#1804 (SDO abort response).

The value and meaning of *AbortCode* depend on the slave. Refer to the manual for the slave.

The following figure shows a timing chart. A value is stored in *AbortCode* when *Busy* changes to FALSE after the completion of instruction processing.



## Related System-defined Variables

Name	Meaning	Data type	Description
<code>_EC_MBXSlavTb[i]</code> "i" is the node address.	Message Communications Enabled Slave Table	BOOL	This variable indicates whether communications are possible for each slave. TRUE: Communications are possible. FALSE: Communications are not possible.

## Additional Information

- Refer to the *NJ/NX-series CPU Unit Built-in EtherCAT Port User's Manual (Cat. No. W505)* for details on EtherCAT communications.
- Refer to *A-5 SDO Abort Codes* on page A-38 for the SDO abort codes.

## Precautions for Correct Use

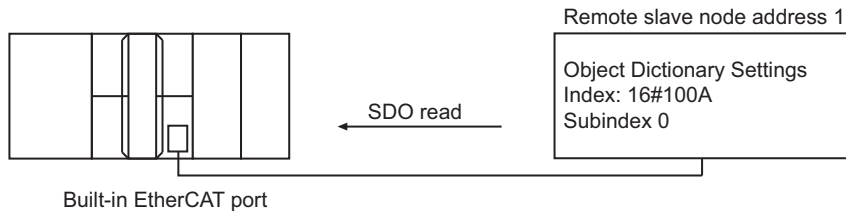
- Execution of this instruction is continued until processing is completed even if the value of *Execute* changes to FALSE or the execution time exceeds the task period. The value of *Done* changes to TRUE when processing is completed. Use this to confirm normal completion of processing.
- Refer to *Using this Section* on page 2-3 for a timing chart for *Execute*, *Done*, *Busy*, and *Error*.
- This instruction can be used only for the NJ/NX-series EtherCAT ports.
- You can execute a maximum of 32 of the following instructions at the same time: `EC_CoESDOWrite`, `EC_CoESDORead`, `EC_StartMon`, `EC_StopMon`, `EC_SaveMon`, `EC_CopyMon`, `EC_DisconnectSlave`, `EC_ConnectSlave`, `EC_ChangeEnableSetting`, `EC_GetMasterStatistics`, `EC_ClearMasterStatistics`, `EC_GetSlaveStatistics`, `EC_ClearSlaveStatistics`, `IOL_ReadObj`, and `IOL_WriteObj`.
- An error will occur in the following cases. *Error* will change to TRUE, and an error code is assigned to *ErrorID*.
  - a) The EtherCAT master is not in a state that allows message communications.
  - b) The slave specified with *NodeAdr* does not exist.
  - c) The slave specified with *NodeAdr* is not in a state that allows communications.
  - d) The slave returns an error response.
  - e) The read data size is larger than the size of *ReadDat*.
  - f) More than 32 of the following instructions were executed at the same time: `EC_CoESDOWrite`, `EC_CoESDORead`, `EC_StartMon`, `EC_StopMon`, `EC_SaveMon`, `EC_CopyMon`, `EC_DisconnectSlave`, `EC_ConnectSlave`, `EC_ChangeEnableSetting`, `EC_GetMasterStatistics`, `EC_ClearMasterStatistics`, `EC_GetSlaveStatistics`, `EC_ClearSlaveStatistics`, `IOL_ReadObj`, and `IOL_WriteObj`.

## Sample Programming

This sample uses an EtherCAT SDO message to read the software version of an OMRON 1S-series Servo Drive. The node address of the slave is 1.

The object index for the software version is 16#100A. The subindex is 0.

The read value is stored in STRING variable *VersionInfo*.



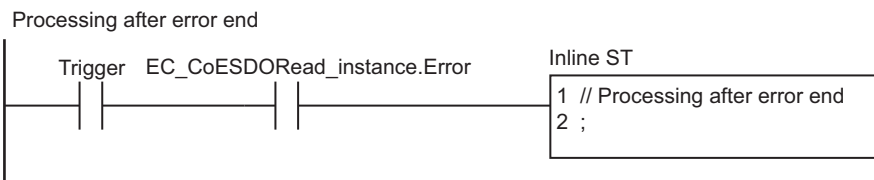
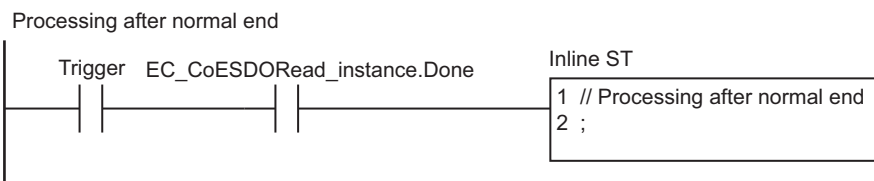
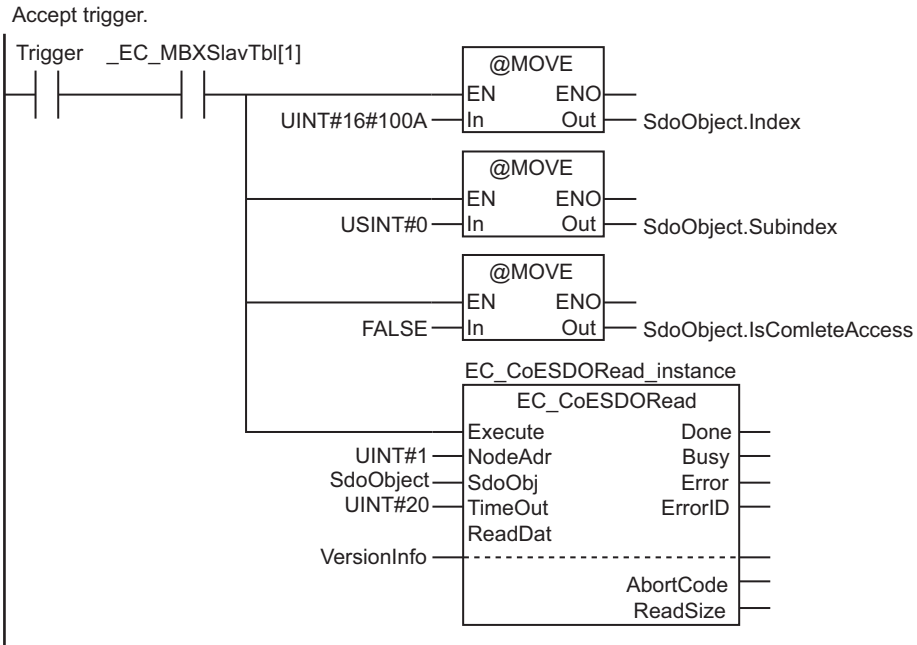
## LD

Internal Variables	Variable	Data type	Initial value	Comment
	Trigger	BOOL	FALSE	Execution condition
	SdoObject	_sSDO_ACCESS	(Index:=0, Subindex:=0, IsCompleteAccess:=FALSE)	SDO parameter
	VersionInfo	STRING[256]	"	Read data
	EC_CoESDORead_instance	EC_CoESDORead		

External Variables	Variable	Data type	Constant	Comment
	_EC_MBXSlavTbl	ARRAY[1..512] OF BOOL*1	<input checked="" type="checkbox"/>	Message Communications Enabled Slave Table

\*1. For the NX502 CPU Unit, the data type is *ARRAY [1..256] OF BOOL*.  
For the NX102 CPU Unit, NX1P2 CPU Unit, and NJ-series CPU Unit, the data type is *ARRAY [1..192] OF BOOL*.



**ST**

Internal Variables	Variable	Data type	Initial value	Comment
	Trigger	BOOL	FALSE	Execution condition
	SdoObject	_sSDO_ACCESS	(Index:=0, Subindex:=0, IsCompleteAccess:=FALSE)	SDO parameter
	DoSdoRead	BOOL	FALSE	Processing
	VersionInfo	STRING[256]	"	Read data
	NormalEnd	UINT	0	Normal end
	ErrorEnd	UINT	0	Error end
	EC_CoESDORead_instance	EC_CoESDORead		

External Variables	Variable	Data type	Constant	Comment
	_EC_MBXSlavTbl	ARRAY[1..512] OF BOOL*1	<input checked="" type="checkbox"/>	Message Communications Enabled Slave Table

\*1. For the NX502 CPU Unit, the data type is *ARRAY [1..256] OF BOOL*.  
For the NX102 CPU Unit, NX1P2 CPU Unit, and NJ-series CPU Unit, the data type is *ARRAY [1..192] OF BOOL*.

```
// Detect when Trigger changes to TRUE.
IF ( (Trigger=TRUE) AND (DoSdoRead=FALSE) AND (_EC_MBXSlavTbl[1]=TRUE) ) THEN
  DoSdoRead :=TRUE;
  SdoObject.Index :=UINT#16#100A;
  SdoObject.Subindex :=USINT#0;
  SdoObject.IsCompleteAccess:=FALSE;
  EC_CoESDORead_instance(
    Execute:=FALSE, // Initialize instance.
    ReadDat:=VersionInfo); // Dummy
END_IF;

// Execute EC_CoESDORead instruction.
IF (DoSdoRead=TRUE) THEN
  EC_CoESDORead_instance(
    Execute:=TRUE,
    NodeAdr:=UINT#1, // Node address 1
    SdoObj :=SdoObject, // SDO parameter
    TimeOut:=UINT#20, // Timeout time: 2.0 s
    ReadDat:=VersionInfo); // Read data

  IF (EC_CoESDORead_instance.Done=TRUE) THEN
    // Processing after normal end
    NormalEnd:=NormalEnd+UINT#1;
  ELSIF (EC_CoESDORead_instance.Error=TRUE) THEN
    // Processing after error end
    ErrorEnd :=ErrorEnd+UINT#1;
  END_IF;
END_IF;
```



# EC\_StartMon

The EC\_StartMon instruction starts packet monitoring for EtherCAT communications.

Instruction	Name	FB/ FUN	Graphic expression	ST expression
EC_StartMon	Start EtherCAT Packet Monitor	FB		EC_StartMon_instance(Execute, Done, Busy, Error, ErrorID);



## Version Information

Depending on the unit version of the CPU Unit and the Sysmac Studio version, the following restrictions apply:

- You cannot use this instruction for project unit version 1.40 or later.
- For NX701 and NJ101 CPU Units, the instruction can be used with Sysmac Studio version 1.13 or higher.
- For an NX1P2 CPU Unit, the instruction can be used with Sysmac Studio version 1.17 or higher.
- For an NJ301 CPU Unit, the instruction can be used with the unit version 1.10 or later and Sysmac Studio version 1.12 or higher.

## Variables

Only common variables are used.

## Function

The EC\_StartMon instruction starts execution of packet monitoring for EtherCAT communications. The packet monitor function collects a specified number of the most recent EtherCAT communications packets.

When the specified number of packets is exceeded, old packets are discarded in order.

After the EC\_StartMon instruction is executed, packet monitoring continues until the EC\_StopMon instruction is executed.

## Related System-defined Variables

Name	Meaning	Data type	Description
_EC_PktMonStop	Packet Monitoring Stopped	BOOL	This variable shows if packet monitoring is stopped. TRUE: Stopped. FALSE: Not stopped.
_EC_PktSaving	Saving Packet Data File	BOOL	This variable shows if the instruction is saving packet data in an internal file in the main memory of the CPU Unit. TRUE: Saving. FALSE: Not saving.

## Additional Information

- You cannot save collected packet data in an internal file of the main memory of the CPU Unit during ECATStartMonitor execution.
- To save packet data in an internal file in the main memory of the CPU Unit, execute the EC\_StopMon instruction to stop packet monitoring, and then execute the EC\_SaveMon instruction to save the packets.
- Refer to the *NJ/NX-series CPU Unit Built-in EtherCAT Port User's Manual (Cat. No. W505)* for details on EtherCAT communications.

## Precautions for Correct Use

- Execution of this instruction is continued until processing is completed even if the value of *Execute* changes to FALSE or the execution time exceeds the task period. The value of *Done* changes to TRUE when processing is completed. Use this to confirm normal completion of processing.
- Refer to *Using this Section* on page 2-3 for a timing chart for *Execute*, *Done*, *Busy*, and *Error*.
- This instruction can be used only for the NJ/NX-series EtherCAT ports.
- You can execute a maximum of 32 of the following instructions at the same time: EC\_CoESDOWrite, EC\_CoESDORead, EC\_StartMon, EC\_StopMon, EC\_SaveMon, EC\_CopyMon, EC\_DisconnectSlave, EC\_ConnectSlave, EC\_ChangeEnableSetting, EC\_GetMasterStatistics, EC\_ClearMasterStatistics, EC\_GetSlaveStatistics, EC\_ClearSlaveStatistics, IOL\_ReadObj, and IOL\_WriteObj.
- An error will occur in the following cases. *Error* will change to TRUE, and an error code is assigned to *ErrorID*.
  - a) Project unit version 1.40 or later is used.
  - b) A packet data save operation to an internal file in the main memory of the CPU Unit is in progress.
  - c) More than 32 of the following instructions were executed at the same time: EC\_CoESDOWrite, EC\_CoESDORead, EC\_StartMon, EC\_StopMon, EC\_SaveMon, EC\_CopyMon, EC\_DisconnectSlave, EC\_ConnectSlave, EC\_ChangeEnableSetting, EC\_GetMasterStatistics, EC\_ClearMasterStatistics, EC\_GetSlaveStatistics, EC\_ClearSlaveStatistics, IOL\_ReadObj, and IOL\_WriteObj.

## Sample Programming

This sample transfers EtherCAT communications packets to an SD Memory Card when an EtherCAT slave error occurs. The file name is 'PacketFile'.

The processing procedure is as follows:

- 1** The `_EC_ErrSta` (EtherCAT Error) system-defined variable is monitored and processing is started if an error occurs.
- 2** The EC\_StopMon instruction is used to stop execution of packet monitoring for EtherCAT communications.
- 3** The EC\_SaveMon instruction is used to save EtherCAT communications packet data to an internal file in the main memory of the CPU Unit.
- 4** The EC\_CopyMon instruction is used to copy that file to the SD Memory Card.

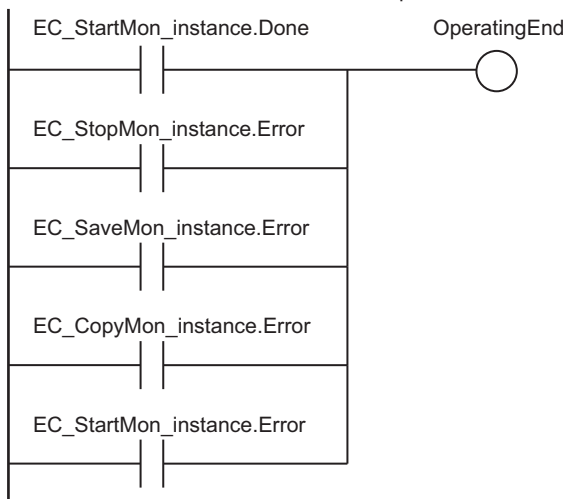
- 5** The EC\_StartMon instruction is used to restart execution of packet monitoring for EtherCAT communications.

## LD

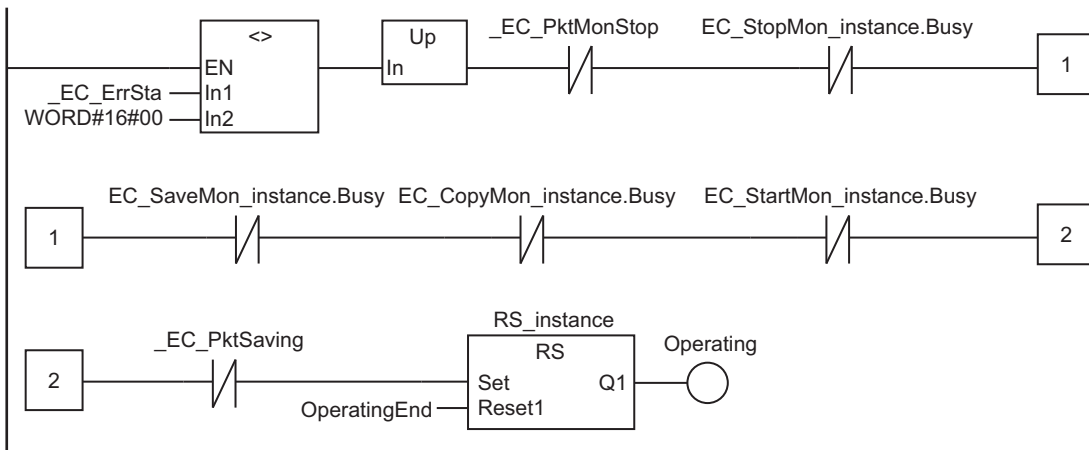
Internal Variables	Variable	Data type	Initial value	Comment
	OperatingEnd	BOOL	FALSE	Processing completed
	Operating	BOOL	FALSE	Execution condition
	RS_instance	RS		
	EC_StopMon_instance	EC_StopMon		
	EC_SaveMon_instance	EC_SaveMon		
	EC_CopyMon_instance	EC_CopyMon		
	EC_StartMon_instance	EC_StartMon		

External Variables	Variable	Data type	Constant	Comment
	_EC_ErrSta	WORD	<input checked="" type="checkbox"/>	EtherCAT Error
	_EC_PktMonStop	BOOL	<input checked="" type="checkbox"/>	Packet Monitoring Stopped
	_EC_PktSaving	BOOL	<input checked="" type="checkbox"/>	Saving Packet Data File
	_Card1Ready	BOOL	<input checked="" type="checkbox"/>	SD Memory Card Ready Flag

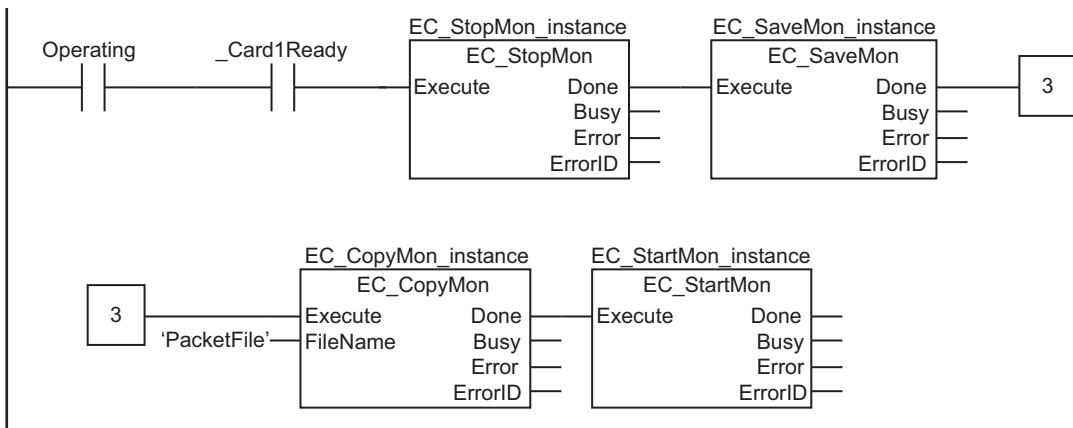
Determine if instruction execution is completed.



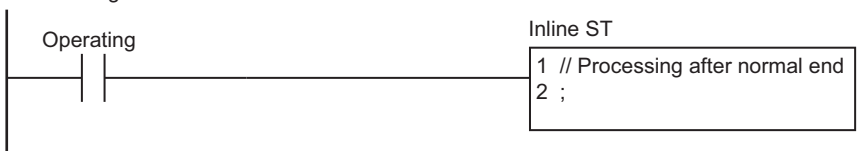
Monitor for EtherCAT errors.



Instruction execution



Processing after normal end



## ST

Internal Variables	Variable	Data type	Initial value	Comment
	EC_Err	BOOL	FALSE	Controller error in the EtherCAT Master Function Module.
	EC_Err_Trigger	BOOL	FALSE	Detect when EC_Err changes to TRUE.
	DoEC_PktSave	BOOL	FALSE	Processing
	Stage	INT	0	Stage change
	R_TRIG_instance	R_TRIG		
	EC_StopMon_instance	EC_StopMon		
	EC_SaveMon_instance	EC_SaveMon		
	EC_CopyMon_instance	EC_CopyMon		

Internal Variables	Variable	Data type	Initial value	Comment
	EC_StartMon_instance	EC_StartMon		

External Variables	Variable	Data type	Constant	Comment
	_EC_ErrSta	WORD	<input checked="" type="checkbox"/>	EtherCAT Error
	_EC_PktMonStop	BOOL	<input checked="" type="checkbox"/>	Packet Monitoring Stopped
	_EC_PktSaving	BOOL	<input checked="" type="checkbox"/>	Saving Packet Data File
	_Card1Ready	BOOL	<input checked="" type="checkbox"/>	SD Memory Card Ready Flag

```
// Start sequence when _EC_ErrSta changes to TRUE.
EC_Err:=( _EC_ErrSta <> WORD#16#00);
R_TRIG_instance(Clk:=EC_Err, Q=>EC_Err_Trigger);

IF ( (EC_Err_Trigger=TRUE) AND (DoEC_PktSave=FALSE) AND (_EC_PktMonStop=FALSE)
AND (_EC_PktSaving=FALSE) AND (_Card1Ready=TRUE) ) THEN
  DoEC_PktSave:=TRUE;
  Stage :=INT#1;
  EC_StopMon_instance(Execute:=FALSE); // Initialize instance.
  EC_SaveMon_instance(Execute:=FALSE);
  EC_CopyMon_instance(Execute:=FALSE);
  EC_StartMon_instance(Execute:=FALSE);
END_IF;

// Instruction execution
IF (DoEC_PktSave=TRUE) THEN
  CASE Stage OF
    1 : // Stop EtherCAT packet monitor.
      EC_StopMon_instance(
        Execute:=TRUE);
      IF (EC_StopMon_instance.Done=TRUE) THEN
        Stage:=INT#2; // Normal end
      ELSIF (EC_StopMon_instance.Error=TRUE) THEN
        Stage:=INT#10; // Error end
      END_IF;

    2 : // Save EtherCAT packet data in an internal file.
      EC_SaveMon_instance(
        Execute:=TRUE);
      IF (EC_SaveMon_instance.Done=TRUE) THEN
        Stage:=INT#3; // Normal end
      END_IF;
  END_CASE;
END_IF;
```

```
ELSIF (EC_SaveMon_instance.Error=TRUE) THEN
    Stage:=INT#20; // Error end
END_IF;

3 : // Copy EtherCAT packet data file to the SD Memory Card.
EC_CopyMon_instance(
    Execute :=TRUE,
    FileName:='PacketFile');
IF (EC_CopyMon_instance.Done=TRUE) THEN
    Stage:=INT#4; // Normal end
ELSIF (EC_CopyMon_instance.Error=TRUE) THEN
    Stage:=INT#30; // Error end
END_IF;

4 : // Restart EtherCAT packet monitor.
EC_StartMon_instance(
    Execute:=TRUE);
IF (EC_StartMon_instance.Done=TRUE) THEN
    Stage:=INT#0; // Normal end
ELSIF (EC_StartMon_instance.Error=TRUE) THEN
    Stage:=INT#40; // Error end
END_IF;

0 : // Processing after normal end
DoEC_PktSave:=FALSE;

ELSE // Processing after error end
    DoEC_PktSave:=FALSE;
END_CASE;
END_IF;
```

# EC\_StopMon

The EC\_StopMon instruction stops execution of packet monitoring for EtherCAT communications.

Instruction	Name	FB/ FUN	Graphic expression	ST expression
EC_StopMon	Stop EtherCAT Packet Monitor	FB		EC_StopMon_instance(Execute, Done, Busy, Error, ErrorID);



## Version Information

Depending on the unit version of the CPU Unit and the Sysmac Studio version, the following restrictions apply:

- You cannot use this instruction for project unit version 1.40 or later.
- For NX701 and NJ101 CPU Units, the instruction can be used with Sysmac Studio version 1.13 or higher.
- For an NX1P2 CPU Unit, the instruction can be used with Sysmac Studio version 1.17 or higher.
- For an NJ301 CPU Unit, the instruction can be used with the unit version 1.10 or later and Sysmac Studio version 1.12 or higher.

## Variables

Only common variables are used.

## Function

The EC\_StopMon instruction stops execution of packet monitoring for EtherCAT communications. The packet monitor function collects a specified number of the most recent EtherCAT communications packets.

## Related System-defined Variables

Name	Meaning	Data type	Description
_EC_PktMonStop	Packet Monitoring Stopped	BOOL	This variable shows if packet monitoring is stopped. TRUE: Stopped. FALSE: Not stopped.
_EC_PktSaving	Saving Packet Data File	BOOL	This variable shows if the instruction is saving packet data in an internal file in the main memory of the CPU Unit. TRUE: Saving. FALSE: Not saving.

## Additional Information

- When you save collected packet data in an internal file in the main memory of the CPU Unit, you need to execute this instruction to stop the packet monitoring function, and then execute the EC\_SaveMon instruction to save the data.
- Refer to the *NJ/NX-series CPU Unit Built-in EtherCAT Port User's Manual (Cat. No. W505)* for details on EtherCAT communications.

## Precautions for Correct Use

- Execution of this instruction is continued until processing is completed even if the value of *Execute* changes to FALSE or the execution time exceeds the task period. The value of *Done* changes to TRUE when processing is completed. Use this to confirm normal completion of processing.
- Refer to *Using this Section* on page 2-3 for a timing chart for *Execute*, *Done*, *Busy*, and *Error*.
- This instruction can be used only for the NJ/NX-series EtherCAT ports.
- You can execute a maximum of 32 of the following instructions at the same time: EC\_CoESDOWrite, EC\_CoESDORead, EC\_StartMon, EC\_StopMon, EC\_SaveMon, EC\_CopyMon, EC\_DisconnectSlave, EC\_ConnectSlave, EC\_ChangeEnableSetting, EC\_GetMasterStatistics, EC\_ClearMasterStatistics, EC\_GetSlaveStatistics, EC\_ClearSlaveStatistics, IOL\_ReadObj, and IOL\_WriteObj.
- An error will occur in the following cases. *Error* will change to TRUE, and an error code is assigned to *ErrorID*.
  - a) Project unit version 1.40 or later is used.
  - b) Packet monitoring is already stopped.
  - c) More than 32 of the following instructions were executed at the same time: EC\_CoESDOWrite, EC\_CoESDORead, EC\_StartMon, EC\_StopMon, EC\_SaveMon, EC\_CopyMon, EC\_DisconnectSlave, EC\_ConnectSlave, EC\_ChangeEnableSetting, EC\_GetMasterStatistics, EC\_ClearMasterStatistics, EC\_GetSlaveStatistics, EC\_ClearSlaveStatistics, IOL\_ReadObj, and IOL\_WriteObj.

## Sample Programming

Refer to *Sample Programming* on page 2-1016 for the EC\_StartMon instruction.



# EC\_SaveMon

The EC\_SaveMon instruction saves EtherCAT communications packet data to an internal file in the main memory of the CPU Unit.

Instruction	Name	FB/ FUN	Graphic expression	ST expression
EC_SaveMon	Save EtherCAT Packets	FB		EC_SaveMon_instance(Execute, Done, Busy, Error, ErrorID);



## Version Information

Depending on the unit version of the CPU Unit and the Sysmac Studio version, the following restrictions apply:

- You cannot use this instruction for project unit version 1.40 or later.
- For NX701 and NJ101 CPU Units, the instruction can be used with Sysmac Studio version 1.13 or higher.
- For an NX1P2 CPU Unit, the instruction can be used with Sysmac Studio version 1.17 or higher.
- For an NJ301 CPU Unit, the instruction can be used with the unit version 1.10 or later and Sysmac Studio version 1.12 or higher.

## Variables

Only common variables are used.

## Function

The EC\_SaveMon instruction saves EtherCAT communications packet data that was collected by the packet monitoring function to an internal file in the main memory of the CPU Unit.

The packet monitor function collects a specified number of the most recent EtherCAT communications packets.

## Related System-defined Variables

Name	Meaning	Data type	Description
_EC_PktMonStop	Packet Monitoring Stopped	BOOL	This variable shows if packet monitoring is stopped. TRUE: Stopped. FALSE: Not stopped.
_EC_PktSaving	Saving Packet Data File	BOOL	This variable shows if the instruction is saving packet data in an internal file in the main memory of the CPU Unit. TRUE: Saving. FALSE: Not saving.

### Additional Information

- You cannot execute packet monitoring while this instruction is in execution.
- Refer to the *NJ/NX-series CPU Unit Built-in EtherCAT Port User's Manual (Cat. No. W505)* for details on EtherCAT communications.

### Precautions for Correct Use

- Execution of this instruction is continued until processing is completed even if the value of *Execute* changes to FALSE or the execution time exceeds the task period. The value of *Done* changes to TRUE when processing is completed. Use this to confirm normal completion of processing.
- Refer to *Using this Section* on page 2-3 for a timing chart for *Execute*, *Done*, *Busy*, and *Error*.
- This instruction can be used only for the NJ/NX-series EtherCAT ports.
- You cannot execute this instruction while packet monitoring is in progress. Execute the *EC\_StopMon* instruction in advance to stop packet monitoring.
- You can execute a maximum of 32 of the following instructions at the same time: *EC\_CoESDOWrite*, *EC\_CoESDORead*, *EC\_StartMon*, *EC\_StopMon*, *EC\_SaveMon*, *EC\_CopyMon*, *EC\_DisconnectSlave*, *EC\_ConnectSlave*, *EC\_ChangeEnableSetting*, *EC\_GetMasterStatistics*, *EC\_ClearMasterStatistics*, *EC\_GetSlaveStatistics*, *EC\_ClearSlaveStatistics*, *IOL\_ReadObj*, and *IOL\_WriteObj*.
- An error will occur in the following cases. *Error* will change to TRUE, and an error code is assigned to *ErrorID*.
  - a) Project unit version 1.40 or later is used.
  - b) Packet monitoring is in progress.
  - c) More than 32 of the following instructions were executed at the same time: *EC\_CoESDOWrite*, *EC\_CoESDORead*, *EC\_StartMon*, *EC\_StopMon*, *EC\_SaveMon*, *EC\_CopyMon*, *EC\_DisconnectSlave*, *EC\_ConnectSlave*, *EC\_ChangeEnableSetting*, *EC\_GetMasterStatistics*, *EC\_ClearMasterStatistics*, *EC\_GetSlaveStatistics*, *EC\_ClearSlaveStatistics*, *IOL\_ReadObj*, and *IOL\_WriteObj*.

### Sample Programming

Refer to *Sample Programming* on page 2-1016 for the *EC\_StartMon* instruction.

# EC\_CopyMon

The EC\_CopyMon instruction transfers packet data in an internal file in the main memory of the CPU Unit to the SD Memory Card.

Instruction	Name	FB/ FUN	Graphic expression	ST expression
EC_CopyMon	Transfer Ether-CAT Packets	FB		EC_CopyMon_instance(Execute, FileName, Done, Busy, Error, ErrorID);



## Version Information

Depending on the unit version of the CPU Unit and the Sysmac Studio version, the following restrictions apply:

- You cannot use this instruction for project unit version 1.40 or later.
- For NX701 and NJ101 CPU Units, the instruction can be used with Sysmac Studio version 1.13 or higher.
- For an NX1P2 CPU Unit, the instruction can be used with Sysmac Studio version 1.17 or higher.
- For an NJ301 CPU Unit, the instruction can be used with the unit version 1.10 or later and Sysmac Studio version 1.12 or higher.

## Variables

	Meaning	I/O	Description	Valid range	Unit	Default
FileName	File name	Input	File name on the SD Memory Card	Depends on data type.	---	---

	Boo lean	Bit strings				Integers							Real num- bers		Times, durations, dates, and text strings					
	BOOL	BYTE	WORD	DWORD	LWORD	USINT	UINT	UDINT	ULINT	SINT	INT	DINT	LINT	REAL	LREAL	TIME	DATE	TOD	DT	STRING
FileName																				OK

## Function

The EC\_CopyMon instruction transfers packet data in an internal file in the main memory of the CPU Unit to a SD Memory Card.

*FileName* specifies the file name on the SD Memory Card.

## Related System-defined Variables

Name	Meaning	Data type	Description
_EC_PktSaving	Saving Packet Data File	BOOL	This variable shows if the instruction is saving packet data in an internal file in the main memory of the CPU Unit. TRUE: Saving. FALSE: Not saving.

## Additional Information

Refer to the *NJ/NX-series CPU Unit Built-in EtherCAT Port User's Manual (Cat. No. W505)* for details on EtherCAT communications.

## Precautions for Correct Use

- Execution of this instruction is continued until processing is completed even if the value of *Execute* changes to FALSE or the execution time exceeds the task period. The value of *Done* changes to TRUE when processing is completed. Use this to confirm normal completion of processing.
- Refer to *Using this Section* on page 2-3 for a timing chart for *Execute*, *Done*, *Busy*, and *Error*.
- This instruction can be used only for the NJ/NX-series EtherCAT ports.
- You cannot execute this instruction while a packet save operation is in progress.
- To use this instruction, execute the EC\_SaveMon instruction in advance to save the packet data in an internal file in the main memory of the CPU Unit.
- You can execute a maximum of 32 of the following instructions at the same time: EC\_CoESDOWrite, EC\_CoESDORead, EC\_StartMon, EC\_StopMon, EC\_SaveMon, EC\_CopyMon, EC\_DisconnectSlave, EC\_ConnectSlave, EC\_ChangeEnableSetting, EC\_GetMasterStatistics, EC\_ClearMasterStatistics, EC\_GetSlaveStatistics, EC\_ClearSlaveStatistics, IOL\_ReadObj, and IOL\_WriteObj.
- An error will occur in the following cases. *Error* will change to TRUE, and an error code is assigned to *ErrorID*.
  - a) Project unit version 1.40 or later is used.
  - b) A packet data file save operation is in progress.
  - c) More than 32 of the following instructions were executed at the same time: EC\_CoESDOWrite, EC\_CoESDORead, EC\_StartMon, EC\_StopMon, EC\_SaveMon, EC\_CopyMon, EC\_DisconnectSlave, EC\_ConnectSlave, EC\_ChangeEnableSetting, EC\_GetMasterStatistics, EC\_ClearMasterStatistics, EC\_GetSlaveStatistics, EC\_ClearSlaveStatistics, IOL\_ReadObj, and IOL\_WriteObj.

## Sample Programming

Refer to *Sample Programming* on page 2-1016 for the EC\_StartMon instruction.

# EC\_DisconnectSlave

The EC\_DisconnectSlave instruction disconnects the specified slave from the EtherCAT network.

Instruction	Name	FB/ FUN	Graphic expression	ST expression
EC_DisconnectSlave	Disconnect EtherCAT Slave	FB		EC_DisconnectSlave_instance( Execute, NodeAdr, Done, Busy, Error, ErrorID);

## Variables

	Meaning	I/O	Description	Valid range	Unit	Default
NodeAdr	Slave node address	Input	Node address of the slave to disconnect	1 to 512*1	---	---

\*1. The range is 1 to 256 for the NX502 CPU Unit.

The range is 1 to 192 for the NX102 CPU Unit, NX1P2 CPU Unit, and NJ-series CPU Unit.

	Boolean	Bit strings					Integers							Real numbers		Times, durations, dates, and text strings				
	BOOL	BYTE	WORD	DWORD	LWORD	USINT	UINT	UDINT	ULINT	SINT	INT	DINT	LINT	REAL	LREAL	TIME	DATE	TOD	DT	STRING
NodeAdr							OK													

## Function

The EC\_DisconnectSlave instruction disconnects the slave specified with slave node address *NodeAdr* from the EtherCAT network.

Here, disconnection from the network means that the slave is placed in a state in which it does not operate even though it still exists on the network.

## Related System-defined Variables

Name	Meaning	Data type	Description
_EC_EntrySlavTbl[i] "i" is the node address.	Network Connected Slave Table	BOOL[]	This variable shows if slaves are part of (i.e., exist on) the network. TRUE: Part of the network. FALSE: Not part of the network.
_EC_DisconnSlavTbl[i] "i" is the node address.	Disconnected Slave Table	BOOL[]	This variable shows the slaves for which there are currently disconnect commands in effect. TRUE: Disconnect command is in effect. FALSE: Disconnect command is not in effect.

Name	Meaning	Data type	Description
<code>_EC_DisableSlavTbl[i]</code> "i" is the node address.	Disabled Slave Table	BOOL[]	This variable shows if slaves are disabled on the network. TRUE: Disabled. FALSE: Not disabled or not part of the network.

## Additional Information

Refer to the *NJ/NX-series CPU Unit Built-in EtherCAT Port User's Manual (Cat. No. W505)* for details on EtherCAT communications.

## Precautions for Correct Use

- Execution of this instruction is continued until processing is completed even if the value of *Execute* changes to FALSE or the execution time exceeds the task period. The value of *Done* changes to TRUE when processing is completed. Use this to confirm normal completion of processing.
- Refer to *Using this Section* on page 2-3 for a timing chart for *Execute*, *Done*, *Busy*, and *Error*.
- This instruction can be used only for the NJ/NX-series EtherCAT ports.
- If there are slaves with daisy-chain connections (i.e., connected to the output port) after the disconnected slave, they are disconnected from the EtherCAT network also.
- You cannot execute this instruction during execution of the following instructions: `EC_DisconnectSlave`, `EC_ConnectSlave`, `EC_ChangeEnableSetting`, `ResetECError`, `RestartNXUnit`, and `NX_ChangeWriteMode`.
- You can execute a maximum of 32 of the following instructions at the same time: `EC_CoESDOWrite`, `EC_CoESDORead`, `EC_StartMon`, `EC_StopMon`, `EC_SaveMon`, `EC_CopyMon`, `EC_DisconnectSlave`, `EC_ConnectSlave`, `EC_ChangeEnableSetting`, `EC_GetMasterStatistics`, `EC_ClearMasterStatistics`, `EC_GetSlaveStatistics`, `EC_ClearSlaveStatistics`, `IOL_ReadObj`, and `IOL_WriteObj`.
- You cannot specify slaves in a ring topology network to disconnect. However, slaves on a drop line from the ring can be specified and disconnected.
- An error will occur in the following cases. *Error* will change to TRUE, and an error code is assigned to *ErrorID*.
  - a) The slave specified with *NodeAdr* is not part of the EtherCAT network. That is, the value of `_EC_EntrySlavTbl[i]` (Network Connected Slave Table) is FALSE.
  - b) The slave specified with *NodeAdr* is disabled.
  - c) The `EC_DisconnectSlave`, `EC_ConnectSlave`, `EC_ChangeEnableSetting`, `ResetECError`, `RestartNXUnit`, or `NX_ChangeWriteMode` instruction is already in execution.
  - d) More than 32 of the following instructions were executed at the same time: `EC_CoESDOWrite`, `EC_CoESDORead`, `EC_StartMon`, `EC_StopMon`, `EC_SaveMon`, `EC_CopyMon`, `EC_DisconnectSlave`, `EC_ConnectSlave`, `EC_ChangeEnableSetting`, `EC_GetMasterStatistics`, `EC_ClearMasterStatistics`, `EC_GetSlaveStatistics`, `EC_ClearSlaveStatistics`, `IOL_ReadObj`, and `IOL_WriteObj`.

## Sample Programming

This sample disconnects slave 1 from the EtherCAT network and then connects it again. When *Trigger1* changes to TRUE, the `EC_DisconnectSlave` instruction is executed to disconnect slave 1. When *Trigger2* changes to TRUE, the `EC_ConnectSlave` instruction is executed to connect slave 1 again.

## Exclusive Control of Instructions

You cannot execute the `EC_DisconnectSlave` and `EC_ConnectSlave` instructions at the same time. Both of these instructions are executed over more than one task period.

Confirm the completion of the instruction that was executed first before you execute the other instruction.

The *ExclusiveFlg* variable (Instruction Exclusive Flag) is used for this purpose.

If the value of *ExclusiveFlg* is `TRUE`, then one of the instructions is in execution.

Do not execute the next instruction while the value of *ExclusiveFlg* is `TRUE`.

You cannot execute the `EC_DisconnectSlave` and `EC_ConnectSlave` instructions at the same time even in separate tasks.

Therefore, *ExclusiveFlg* is defined as a global variable in this sample programming.

This allows this program to perform exclusive control with instructions in other tasks. The same global variable, *ExclusiveFlg*, must also be used in the other tasks to perform exclusive control of instructions.

You cannot execute the `EC_ChangeEnableSetting` instruction at the same time as the `EC_DisconnectSlave` or `EC_ConnectSlave` instruction.

The same global variable, *ExclusiveFlg*, is used in *Sample Programming* on page 2-1040 for the `EC_ChangeEnableSetting` instruction to explain exclusive control for instructions.

## Definitions of Global Variables

### ● Global Variables

Variable	Data type	Initial value	Comment
ExclusiveFlg	BOOL	FALSE	Instruction Exclusive Flag

## LD

Internal Variables	Variable	Data type	Initial value	Comment
	Operating1End	BOOL	FALSE	Processing 1 completed.
	Trigger1	BOOL	FALSE	Execution condition 1
	Operating1	BOOL	FALSE	Processing 1
	RS_instance1	RS		
	EC_DisconnectSlave_instance	EC_DisconnectSlave		
	Operating2End	BOOL	FALSE	Processing 2 completed.
	Trigger2	BOOL	FALSE	Execution condition 2
	Operating2	BOOL	FALSE	Processing 2
	RS_instance2	RS		
	EC_ConnectSlave_instance	EC_ConnectSlave		
	HMI_ConnectErrorID*1	WORD	16#0000	

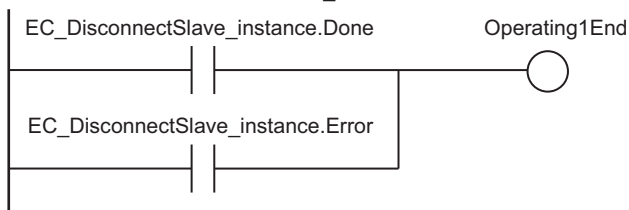
\*1. The variables that begin with *HMI\_* are variables for display on a touch panel.

External Variables	Variable	Data type	Constant	Comment
	_EC_EntrySlavTbl	ARRAY[1..512] OF BOOL*1	<input checked="" type="checkbox"/>	Network Connected Slave Table
	_EC_DisconnSlavTbl	ARRAY[1..512] OF BOOL*1	<input checked="" type="checkbox"/>	Disconnected Slave Table
	ExclusiveFlg	BOOL	<input type="checkbox"/>	Instruction Exclusive Flag

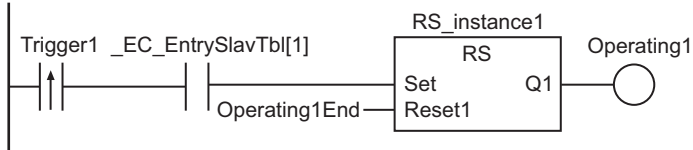
\*1. For the NX502 CPU Unit, the data type is *ARRAY [1..256] OF BOOL*.

For the NX102 CPU Unit, NX1P2 CPU Unit, and NJ-series CPU Unit, the data type is *ARRAY [1..192] OF BOOL*.

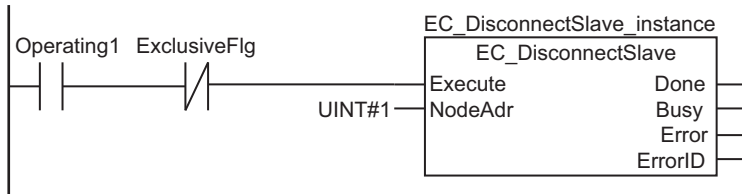
Determine if execution of the EC\_DisconnectSlave instruction is completed.



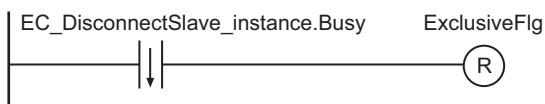
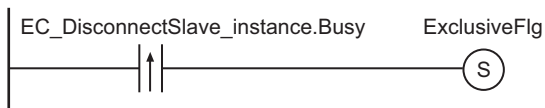
Accept trigger 1.



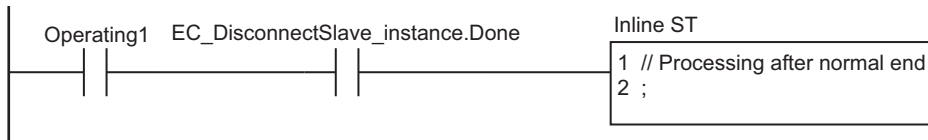
Execute EC\_DisconnectSlave instruction.



Exclusive control of instructions

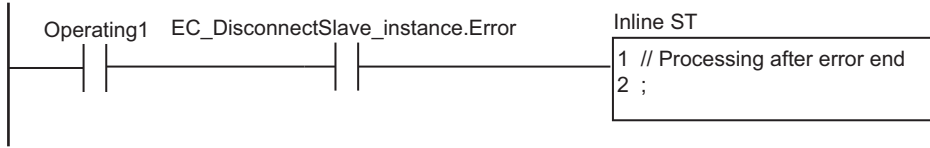


Processing after normal end

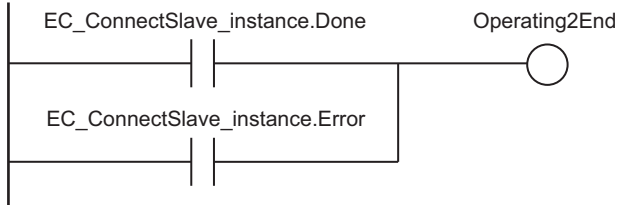




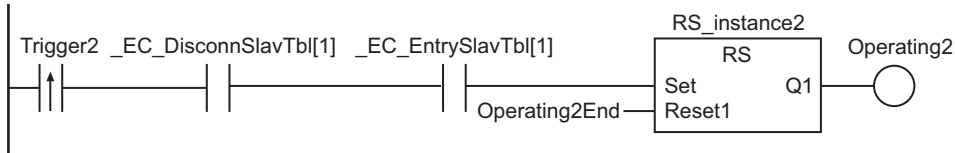
Processing after error end



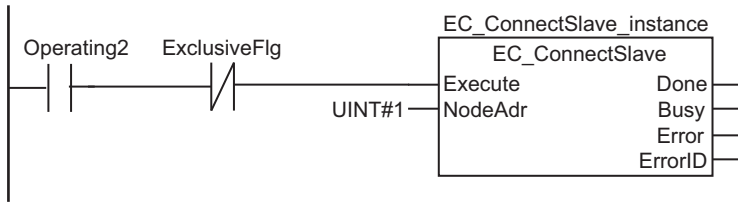
Determine if execution of the EC\_ConnectSlave instruction is completed.



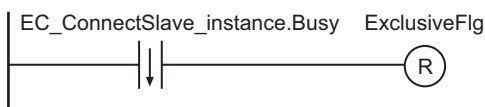
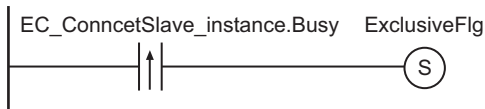
Accept trigger 2.



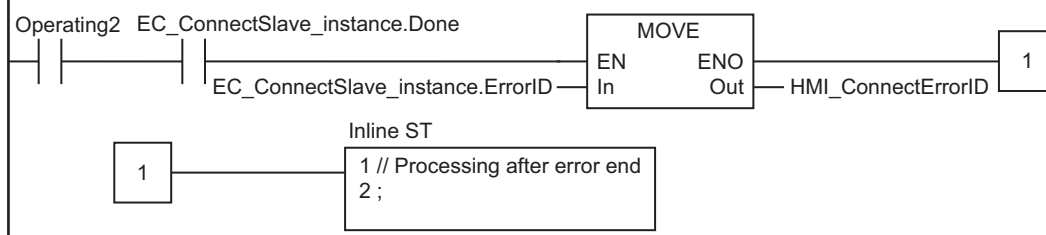
Execute EC\_ConnectSlave instruction.

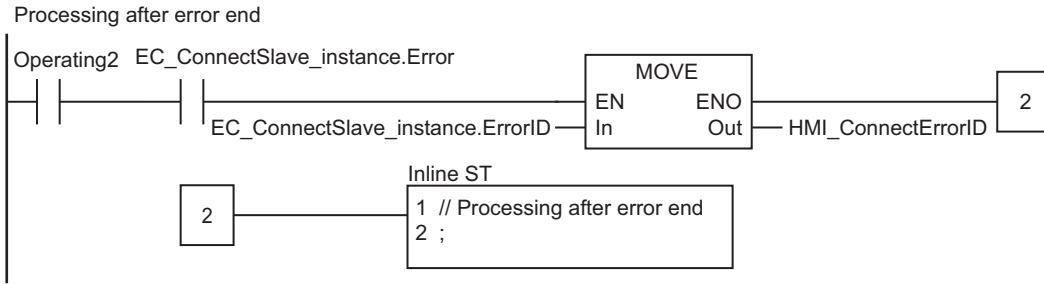


Exclusive control of instructions



Processing after normal end





## ST

Internal Variables	Variable	Data type	Initial value	Comment
	Trigger1	BOOL	FALSE	Execution condition 1
	LastTrigger1	BOOL	FALSE	Value of <i>Trigger1</i> from previous task period
	Operating1Start	BOOL	FALSE	Processing 1 started.
	Operating1	BOOL	FALSE	Processing 1
	DisconnectSet	BOOL	FALSE	EC_DisconnectSlave instruction execution is in progress.
	DisconnectReset	BOOL	FALSE	EC_DisconnectSlave instruction execution is not in progress.
	EC_DisconnectSlave_instance	EC_DisconnectSlave		
	Trigger2	BOOL	FALSE	Execution condition 2
	LastTrigger2	BOOL	FALSE	Value of <i>Trigger2</i> from previous task period
	Operating2Start	BOOL	FALSE	Processing 2 started.
	Operating2	BOOL	FALSE	Processing 2
	ConnectSet	BOOL	FALSE	EC_ConnectSlave instruction execution is in progress.
	ConnectReset	BOOL	FALSE	EC_ConnectSlave instruction execution is not in progress.
	EC_ConnectSlave_instance	EC_ConnectSlave		
	R_TRIG_instance1	R_TRIG		
	F_TRIG_instance1	F_TRIG		
	RS_instance1	RS		
	R_TRIG_instance2	R_TRIG		
	F_TRIG_instance2	F_TRIG		
	RS_instance2	RS		
	HMI_ConnectErrorID*1	WORD	16#0000	

\*1. The variables that begin with *HMI\_* are variables for display on a touch panel.

External Variables	Variable	Data type	Constant	Comment
	_EC_EntrySlavTbl	ARRAY[1..512] OF BOOL*1	<input checked="" type="checkbox"/>	Network Connected Slave Table

External Variables	Variable	Data type	Constant	Comment
	_EC_DisconnSlavTbl	ARRAY[1..512] OF BOOL*1	<input checked="" type="checkbox"/>	Disconnected Slave Table
	ExclusiveFlg	BOOL		Instruction Exclusive Flag

- \*1. For the NX502 CPU Unit, the data type is *ARRAY [1..256] OF BOOL*.  
For the NX102 CPU Unit, NX1P2 CPU Unit, and NJ-series CPU Unit, the data type is *ARRAY [1..192] OF BOOL*.

```
// Detect when Trigger1 changes to TRUE
IF ( (Trigger1=TRUE) AND (LastTrigger1=FALSE) AND ( _EC_EntrySlavTbl[1]=TRUE) ) THEN
  Operating1Start:=TRUE;
  Operating1 :=TRUE;
END_IF;
LastTrigger1:=Trigger1;

// Initialize EC_DisconnectSlave instruction
IF (Operating1Start=TRUE) THEN
  EC_DisconnectSlave_instance(Execute:=FALSE);
  Operating1Start:=FALSE;
END_IF;

// Execute EC_DisconnectSlave instruction
IF (Operating1=TRUE) THEN
  EC_DisconnectSlave_instance(
    Execute:=NOT(ExclusiveFlg),
    NodeAdr:=UINT#1);

// Exclusive control of instructions
R_TRIG_instancel(EC_DisconnectSlave_instance.Busy, DisconnectSet);
F_TRIG_instancel(EC_DisconnectSlave_instance.Busy, DisconnectReset);
RS_instancel(DisconnectSet, DisconnectReset, ExclusiveFlg);

IF (EC_DisconnectSlave_instance.Done=TRUE) THEN
  // Processing after normal end
  Operating1:=FALSE;
END_IF;

IF (EC_DisconnectSlave_instance.Error=TRUE) THEN
  // Processing after error end
  Operating1:=FALSE;
END_IF;
END_IF;

// Detect when Trigger2 changes to TRUE
IF ( (Trigger2=TRUE) AND (LastTrigger2=FALSE) AND ( _EC_DisconnSlavTbl[1]=TRUE) AND
( _EC_EntrySlavTbl[1]=TRUE) ) THEN
```

```
    Operating2Start:=TRUE;
    Operating2 :=TRUE;
END_IF;
LastTrigger2:=Trigger2;

// Initialize EC_ConnectSlave instruction
IF (Operating2Start=TRUE) THEN
    EC_ConnectSlave_instance(Execute:=FALSE);
    Operating2Start:=FALSE;
END_IF;

// Execute EC_ConnectSlave instruction
IF (Operating2=TRUE) THEN
    EC_ConnectSlave_instance(
        Execute:=NOT(ExclusiveFlg),
        NodeAdr:=UINT#1);

// Exclusive control of instructions
R_TRIG_instance2(EC_ConnectSlave_instance.Busy, ConnectSet);
F_TRIG_instance2(EC_ConnectSlave_instance.Busy, ConnectReset);
RS_instance2(ConnectSet, ConnectReset, ExclusiveFlg);
IF (EC_ConnectSlave_instance.Done=TRUE) THEN
    // Processing after normal end
    HMI_ConnectErrorID:=EC_ConnectSlave_instance.ErrorID;
    Operating2:=FALSE;
END_IF;

IF (EC_ConnectSlave_instance.Error=TRUE) THEN
    // Processing after error end
    HMI_ConnectErrorID:=EC_ConnectSlave_instance.ErrorID;
    Operating2:=FALSE;
END_IF;
END_IF;
```

# EC\_ConnectSlave

The EC\_ConnectSlave instruction connects the specified slave to the EtherCAT network.

Instruction	Name	FB/ FUN	Graphic expression	ST expression
EC_ConnectSlave	Connect EtherCAT Slave	FB		EC_ConnectSlave_instance(Execute, NodeAdr, Done, Busy, Error, ErrorID);

## Variables

	Meaning	I/O	Description	Valid range	Unit	Default
NodeAdr	Slave node address	Input	Node address of the slave to connect	0*1 to 512*2	---	---

\*1. Here, 0 means all of the slaves that are registered in the network settings.

\*2. The range is 0 to 256 for the NX502 CPU Unit.

The range is 0 to 192 for the NX102 CPU Unit, NX1P2 CPU Unit, and NJ-series CPU Unit.



### Version Information

For an NJ-series CPU Unit, the valid range of slave node addresses depends on the version as follows:

- Version 1.10 or later: 0 to 192
- Version 1.09 or earlier: 1 to 192

	Boo lean	Bit strings				Integers							Real num- bers		Times, durations, dates, and text strings					
	BOOL	BYTE	WORD	DWORD	LWORD	USINT	UINT	UDINT	ULINT	SINT	INT	DINT	LINT	REAL	LREAL	TIME	DATE	TOD	DT	STRING
NodeAdr							OK													

## Function

The EC\_ConnectSlave instruction connects the slave specified with slave node address *NodeAdr* to the EtherCAT network.

Here, connection to the network means that the slave exists on the network and it is placed in a state in which it operates.

## Related System-defined Variables

Name	Meaning	Data type	Description
<code>_EC_EntrySlavTbl[i]</code> "i" is the node address.	Network Connected Slave Table	BOOL[]	This variable shows if slaves are part of (i.e., exist on) the network. TRUE: Part of the network. FALSE: Not part of the network.
<code>_EC_DisconnSlavTbl[i]</code> "i" is the node address.	Disconnected Slave Table	BOOL[]	This variable shows the slaves for which there are currently disconnect commands in effect. TRUE: Disconnect command is in effect. FALSE: Disconnect command is not in effect.

## Additional Information

Refer to the *NJ/NX-series CPU Unit Built-in EtherCAT Port User's Manual (Cat. No. W505)* for details on EtherCAT communications.

## Precautions for Correct Use

- Execution of this instruction is continued until processing is completed even if the value of *Execute* changes to FALSE or the execution time exceeds the task period. The value of *Done* changes to TRUE when processing is completed. Use this to confirm normal completion of processing.
- Refer to *Using this Section* on page 2-3 for a timing chart for *Execute*, *Done*, *Busy*, and *Error*.
- This instruction can be used only for the NJ/NX-series EtherCAT ports.
- You cannot execute this instruction during execution of the following instructions: `EC_DisconnectSlave`, `EC_ConnectSlave`, `EC_ChangeEnableSetting`, `ResetECError`, `RestartNXUnit`, and `NX_ChangeWriteMode`.
- You can execute a maximum of 32 of the following instructions at the same time: `EC_CoESDOWrite`, `EC_CoESDORead`, `EC_StartMon`, `EC_StopMon`, `EC_SaveMon`, `EC_CopyMon`, `EC_DisconnectSlave`, `EC_ConnectSlave`, `EC_ChangeEnableSetting`, `EC_GetMasterStatistics`, `EC_ClearMasterStatistics`, `EC_GetSlaveStatistics`, `EC_ClearSlaveStatistics`, `IOL_ReadObj`, and `IOL_WriteObj`.
- An error will occur in the following cases. *Error* will change to TRUE, and an error code is assigned to *ErrorID*.
  - a) The slave specified with *NodeAdr* is not part of the EtherCAT network. That is, the value of `_EC_EntrySlavTbl[i]` (Network Connected Slave Table) is FALSE.
  - b) The `EC_DisconnectSlave`, `EC_ConnectSlave`, `EC_ChangeEnableSetting`, `ResetECError`, `RestartNXUnit`, or `NX_ChangeWriteMode` instruction is already in execution.
  - c) More than 32 of the following instructions were executed at the same time: `EC_CoESDOWrite`, `EC_CoESDORead`, `EC_StartMon`, `EC_StopMon`, `EC_SaveMon`, `EC_CopyMon`, `EC_DisconnectSlave`, `EC_ConnectSlave`, `EC_ChangeEnableSetting`, `EC_GetMasterStatistics`, `EC_ClearMasterStatistics`, `EC_GetSlaveStatistics`, `EC_ClearSlaveStatistics`, `IOL_ReadObj`, and `IOL_WriteObj`.

## Sample Programming

Refer to *Sample Programming* on page 2-1028 for the `EC_DisconnectSlave` instruction.

# EC\_ChangeEnableSetting

The EC\_ChangeEnableSetting instruction enables or disables an EtherCAT slave.

Instruction	Name	FB/ FUN	Graphic expression	ST expression
EC_ChangeEnableSetting	Enable/Disable EtherCAT Slave	FB		EC_ChangeEnableSetting_instance(Execute, NodeAdr, IsEnable, Done, Busy, Error, ErrorID);



## Version Information

A CPU Unit with unit version 1.04 or later and Sysmac Studio version 1.05 or higher are required to use this instruction.

## Variables

	Meaning	I/O	Description	Valid range	Unit	Default
NodeAdr	Slave node address	Input	Node address of the EtherCAT slave to enable or disable	1 to 512 <sup>*1</sup>	---	1
IsEnable	Enable/disable designation		Designation of whether to enable or disable the specified EtherCAT slave TRUE: Enable FALSE: Disable	Depends on data type.		TRUE

\*1. The range is 1 to 256 for the NX502 CPU Unit.

The range is 1 to 192 for the NX102 CPU Unit, NX1P2 CPU Unit, and NJ-series CPU Unit.

	Boolean	Bit strings					Integers							Real numbers		Times, durations, dates, and text strings				
	BOOL	BYTE	WORD	DWORD	LWORD	USINT	UINT	UDINT	ULINT	SINT	INT	DINT	LINT	REAL	LREAL	TIME	DATE	TOD	DT	STRING
NodeAdr							OK													
IsEnable	OK																			

## Function

The EC\_ChangeEnableSetting instruction enables or disables the EtherCAT slave that is specified with slave node address *NodeAdr*.

The slave is enabled if enable/disable designation *IsEnable* is TRUE, and disabled if it is FALSE.

*Done* changes to TRUE when this instruction is successfully completed.

Enabling or disabling the slave is completed when the instruction is completed normally.

The instruction may not be successfully completed, depending on the status of the specified EtherCAT slave: whether the specified EtherCAT slave is enabled or disabled, connected or disconnected, and present or not present in the EtherCAT network.

The following table shows how the EtherCAT slave status changes after this instruction is executed.

Status before instruction execution			Value of <i>IsEnable</i>	Status after instruction execution	
Enabled/disabled	Connected/disconnected	Present* <sup>1</sup>		Normal/error end	Enabled/disabled
Enabled	Connected	Yes	TRUE (Enabled)	Normal end	Enabled
	Disconnected	Yes		Error end* <sup>2</sup>	Enabled
		No			
Disabled	---* <sup>3</sup>	Yes		Normal end	Enabled
		No		Error end* <sup>4</sup>	Disabled* <sup>4</sup>
Enabled	Connected	Yes		FALSE (Disabled)	Normal end
	Disconnected	Yes	Error end* <sup>2</sup>		Enabled
		No			
Disabled	---* <sup>3</sup>	Yes	Normal end		Disabled
		No	Error end* <sup>4</sup>		Disabled* <sup>4</sup>

\*1. This indicates whether the specified EtherCAT slave is physically connected to the EtherCAT network.  
Yes: Physically connected. No: Not physically connected.

\*2. For project unit version 1.40 or later, Error code 180A is returned.

For project unit version earlier than 1.40, Error code 1800 is returned.

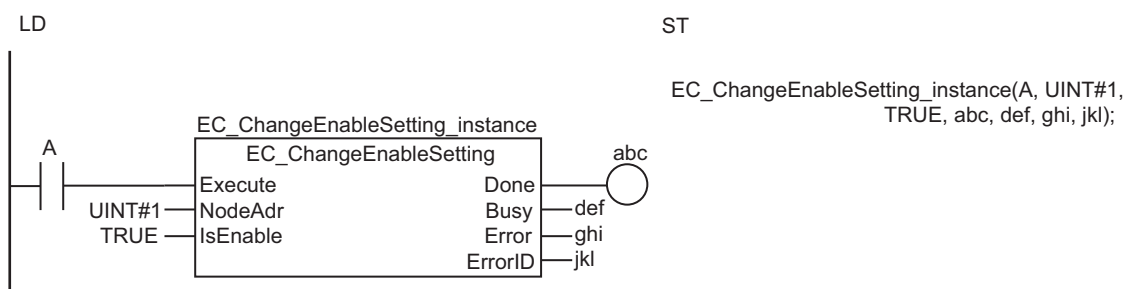
\*3. EtherCAT slaves that are disabled are not considered to be either connected or disconnected.

\*4. The normal/error end status is error end, the enabled/disabled status before the instruction execution is retained, and Error code 1801 is returned.

### ● Application Example

The following example shows how to enable the EtherCAT slave at node address 1.

UINT#1 is specified for *NodeAdr* and TRUE is specified for *IsEnable*.



### Related System-defined Variables

Name	Meaning	Data type	Description
<code>_EC_EntrySlavTbl[i]</code> "i" is the node address.	Network Connected Slave Table	BOOL[]	This variable shows if slaves are part of (i.e., exist on) the network. TRUE: Part of the network. FALSE: Not part of the network.



Name	Meaning	Data type	Description
<code>_EC_DisconnSlavTbl[i]</code> "i" is the node address.	Disconnected Slave Table	BOOL[]	This variable shows the slaves for which there are currently disconnect commands in effect. TRUE: Disconnect command is in effect. FALSE: Disconnect command is not in effect.
<code>_EC_DisableSlavTbl[i]</code> "i" is the node address.	Disabled Slave Table	BOOL[]	This variable shows if slaves are disabled on the network. TRUE: Disabled. FALSE: Not disabled or not part of the network.

## Additional Information

- Refer to the *NJ/NX-series CPU Unit Built-in EtherCAT Port User's Manual (Cat. No. W505)* for details on EtherCAT communications.
- Use *EC\_ConnectSlave* on page 2-1035 to connect an EtherCAT slave to the EtherCAT network.

## Precautions for Correct Use

- Execution of this instruction is continued until processing is completed even if the value of *Execute* changes to FALSE or the execution time exceeds the task period. The value of *Done* changes to TRUE when processing is completed. Use this to confirm normal completion of processing.
- Refer to *Using this Section* on page 2-3 for a timing chart for *Execute*, *Done*, *Busy*, and *Error*.
- This instruction can be used only for the NJ/NX-series EtherCAT ports.
- You cannot execute this instruction during execution of the following instructions: *EC\_DisconnectSlave*, *EC\_ConnectSlave*, *EC\_ChangeEnableSetting*, *ResetECError*, *RestartNXUnit*, and *NX\_ChangeWriteMode*.
- The execution results of this instruction are not saved in non-volatile memory in the CPU Unit. Therefore, if the power supply to the Controller is cycled after execution of this instruction or if the user program is downloaded, the enable/disable setting of the EtherCAT slave will return to the value that was set from the Sysmac Studio.
- You can execute a maximum of 32 of the following instructions at the same time: *EC\_CoESDOWrite*, *EC\_CoESDORead*, *EC\_StartMon*, *EC\_StopMon*, *EC\_SaveMon*, *EC\_CopyMon*, *EC\_DisconnectSlave*, *EC\_ConnectSlave*, *EC\_ChangeEnableSetting*, *EC\_GetMasterStatistics*, *EC\_ClearMasterStatistics*, *EC\_GetSlaveStatistics*, *EC\_ClearSlaveStatistics*, *IOL\_ReadObj*, and *IOL\_WriteObj*.
- An error will occur in the following cases. *Error* will change to TRUE, and an error code is assigned to *ErrorID*.
  - a) The slave specified with *NodeAdr* is not part of the EtherCAT network. That is, the value of `_EC_EntrySlavTbl[i]` (Network Connected Slave Table) is FALSE.
  - b) The value of *NodeAdr* is outside the valid range.
  - c) The *EC\_DisconnectSlave*, *EC\_ConnectSlave*, *EC\_ChangeEnableSetting*, *ResetECError*, *RestartNXUnit*, or *NX\_ChangeWriteMode* instruction is already in execution.
  - d) More than 32 of the following instructions were executed at the same time: *EC\_CoESDOWrite*, *EC\_CoESDORead*, *EC\_StartMon*, *EC\_StopMon*, *EC\_SaveMon*, *EC\_CopyMon*, *EC\_DisconnectSlave*, *EC\_ConnectSlave*, *EC\_ChangeEnableSetting*, *EC\_GetMasterStatistics*, *EC\_ClearMasterStatistics*, *EC\_GetSlaveStatistics*, *EC\_ClearSlaveStatistics*, *IOL\_ReadObj*, and *IOL\_WriteObj*.
  - e) The instruction is executed for a slave in a ring topology network.

This will result in an error, regardless of whether the network is in cable redundancy status or ring disconnection status when the instruction is executed.

## Sample Programming

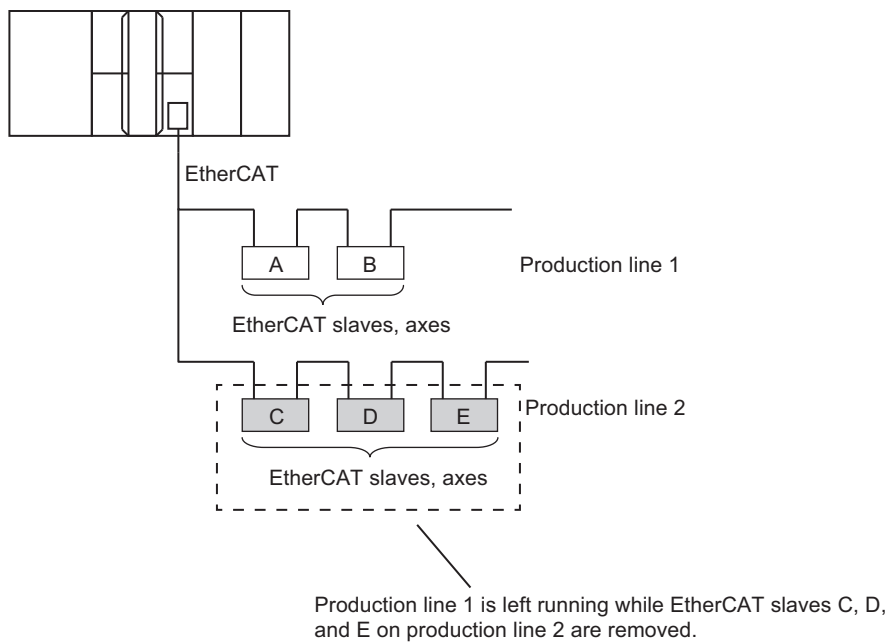
This section provides the following two examples for explanation.

- Example of disconnecting EtherCAT slaves from the EtherCAT network
- Example of connecting EtherCAT slaves to an EtherCAT network

### Example of Disconnecting EtherCAT Slaves from the EtherCAT Network

Production line 1 in the following system is left running while EtherCAT slaves C, D, and E on production line 2 are removed.

Motion control axes are already set for EtherCAT slaves C, D, and E. Therefore, the EtherCAT slaves are disabled and the axes are changed to unused axes.



#### ● Procedure

The operating procedure for the sample programming is as follows:

- 1** The operator presses a button on an HMI to turn ON the execution condition.
- 2** The Controller disables EtherCAT slaves C, D, and E. Also, the axes for those slaves are changed to unused axes.
- 3** When disabling and changing the axes to unused axes is completed for all three slaves, the Controller lights a removal OK lamp.

- 4** After the operator confirms that the removal OK lamp is lit, the operator removes the three EtherCAT slaves.

### ● Instruction to Change Axes to Unused Axes

The MC\_ChangeAxisUse instruction is used to change the axes to unused axes.

Refer to the *NJ/NX-series Motion Control Instructions Reference Manual (Cat. No. W508)* for the detailed specifications of the MC\_ChangeAxisUse instruction.

### ● Exclusive Control of Instructions

You can execute only one EC\_ChangeEnableSetting instruction at the same time.

Also, the EC\_ChangeEnableSetting instruction is executed over more than one task period.

Confirm the completion of the EC\_ChangeEnableSetting instruction before you execute the next EC\_ChangeEnableSetting instruction.

The *ExclusiveFlg* variable (Instruction Exclusive Flag) is used for this purpose.

If the value of *ExclusiveFlg* is TRUE, then an EC\_ChangeEnableSetting instruction is in execution.

Do not execute the next EC\_ChangeEnableSetting instruction while the value of *ExclusiveFlg* is TRUE.

You cannot execute the EC\_ChangeEnableSetting instruction at the same time as another EC\_ChangeEnableSetting instruction is in execution in another task.

Therefore, *ExclusiveFlg* is defined as a global variable in this sample programming.

That allows this sample programming to perform exclusive control with EC\_ChangeEnableSetting instructions in the other tasks.

The same global variable, *ExclusiveFlg*, must also be used in the other tasks to perform exclusive control of instructions.

You cannot execute the EC\_ChangeEnableSetting instruction at the same time as the EC\_DisconnectSlave or EC\_ConnectSlave instruction.

The same global variable, *ExclusiveFlg*, is used in *Sample Programming* on page 2-1028 for the EC\_DisconnectSlave instruction to explain exclusive control of instructions.

### ● Axis Variables and Node Addresses for the EtherCAT Slaves

The axis variables that are assigned to the axes for EtherCAT slaves C, D, and E and the node addresses of the slaves are given in the following table.

EtherCAT slaves	Axis variable	Node address
C	MC_Axis000	1
D	MC_Axis001	2
E	MC_Axis002	3

### ● Global Variables

Variable	Data type	Initial value	AT specification	Constant	Comment
MC_Axis000	_sAXIS_REF		MC://_MC_AX[0]	<input checked="" type="checkbox"/>	Axis variable for EtherCAT slave C
MC_Axis001	_sAXIS_REF		MC://_MC_AX[1]	<input checked="" type="checkbox"/>	Axis variable for EtherCAT slave D
MC_Axis002	_sAXIS_REF		MC://_MC_AX[2]	<input checked="" type="checkbox"/>	Axis variable for EtherCAT slave E

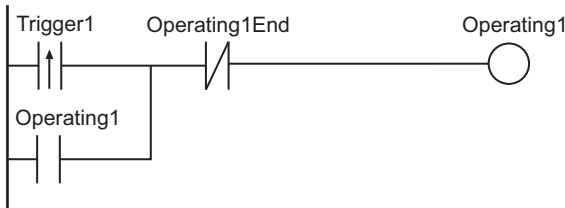
Variable	Data type	Initial value	AT specification	Constant	Comment
ExclusiveFlg	BOOL	FALSE		<input type="checkbox"/>	Instruction Exclusive Flag

## ● LD

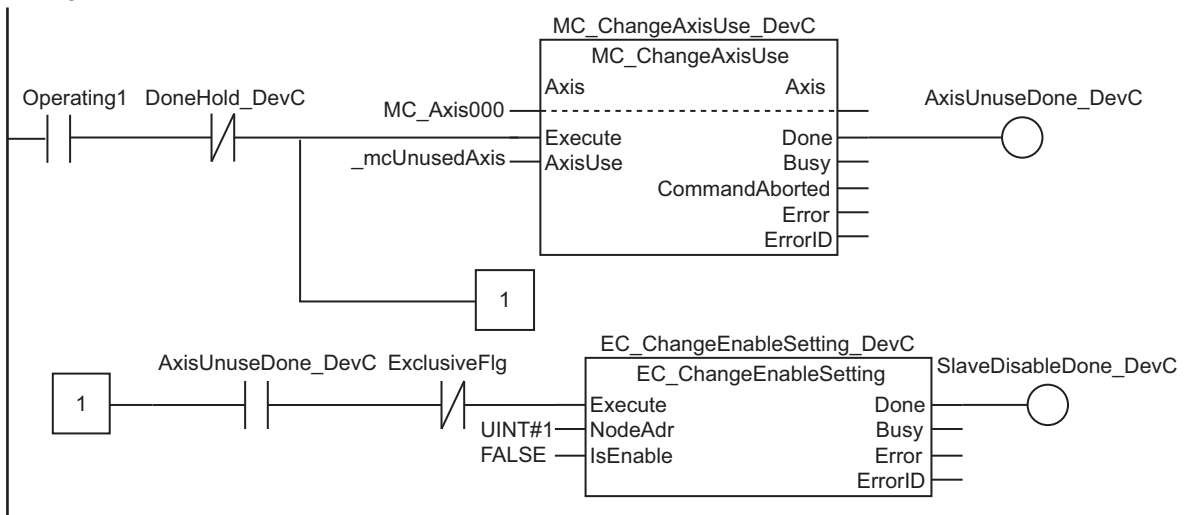
Internal Variables	Variable	Data type	Initial value	Comment
	Operating1End	BOOL	FALSE	Processing completed
	Trigger1	BOOL	FALSE	Execution condition
	Operating1	BOOL	FALSE	Processing
	AxisUnuseDone_DevC	BOOL	FALSE	Changing axis to unused axis completed for EtherCAT slave C
	SlaveDisableDone_DevC	BOOL	FALSE	Disabling EtherCAT slave C completed
	DoneHold_DevC	BOOL	FALSE	Holding completion of processing for EtherCAT slave C
	AxisUnuseDone_DevD	BOOL	FALSE	Changing axis to unused axis completed for EtherCAT slave D
	SlaveDisableDone_DevD	BOOL	FALSE	Disabling EtherCAT slave D completed
	DoneHold_DevD	BOOL	FALSE	Holding completion of processing for EtherCAT slave D
	AxisUnuseDone_DevE	BOOL	FALSE	Changing axis to unused axis completed for EtherCAT slave E
	SlaveDisableDone_DevE	BOOL	FALSE	Disabling EtherCAT slave E completed
	DoneHold_DevE	BOOL	FALSE	Holding completion of processing for EtherCAT slave E
	Light1On	BOOL	FALSE	Lighting removal OK lamp
	MC_ChangeAxisUse_DevC	MC_ChangeAxisUse		
	EC_ChangeEnableSetting_DevC	EC_ChangeEnableSetting		
	MC_ChangeAxisUse_DevD	MC_ChangeAxisUse		
	EC_ChangeEnableSetting_DevD	EC_ChangeEnableSetting		
	MC_ChangeAxisUse_DevE	MC_ChangeAxisUse		
	EC_ChangeEnableSetting_DevE	EC_ChangeEnableSetting		

External Variables	Variable	Data type	Constant	Comment
	MC_Axis000	_sAXIS_REF	<input checked="" type="checkbox"/>	Axis variable for EtherCAT slave C
	MC_Axis001	_sAXIS_REF	<input checked="" type="checkbox"/>	Axis variable for EtherCAT slave D
	MC_Axis002	_sAXIS_REF	<input checked="" type="checkbox"/>	Axis variable for EtherCAT slave E
	ExclusiveFlg	BOOL	<input type="checkbox"/>	Instruction Exclusive Flag

Accept execution condition trigger.

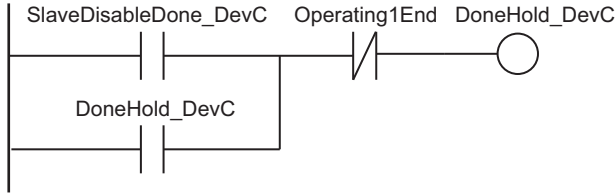


Change axis to unused axis and disable EtherCAT slave C.

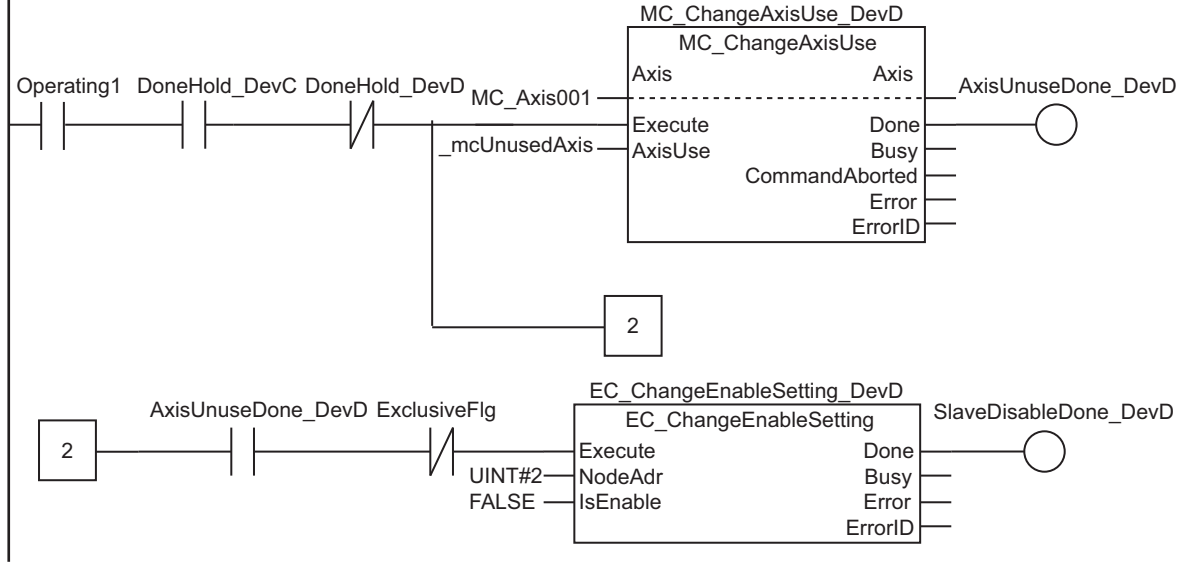


Exclusive control of instructions

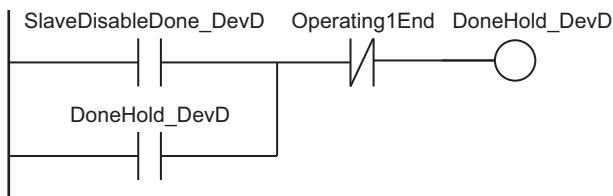
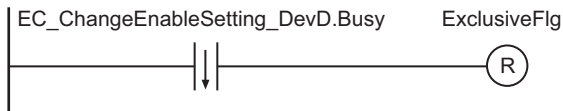
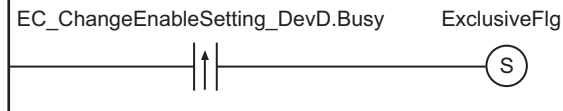




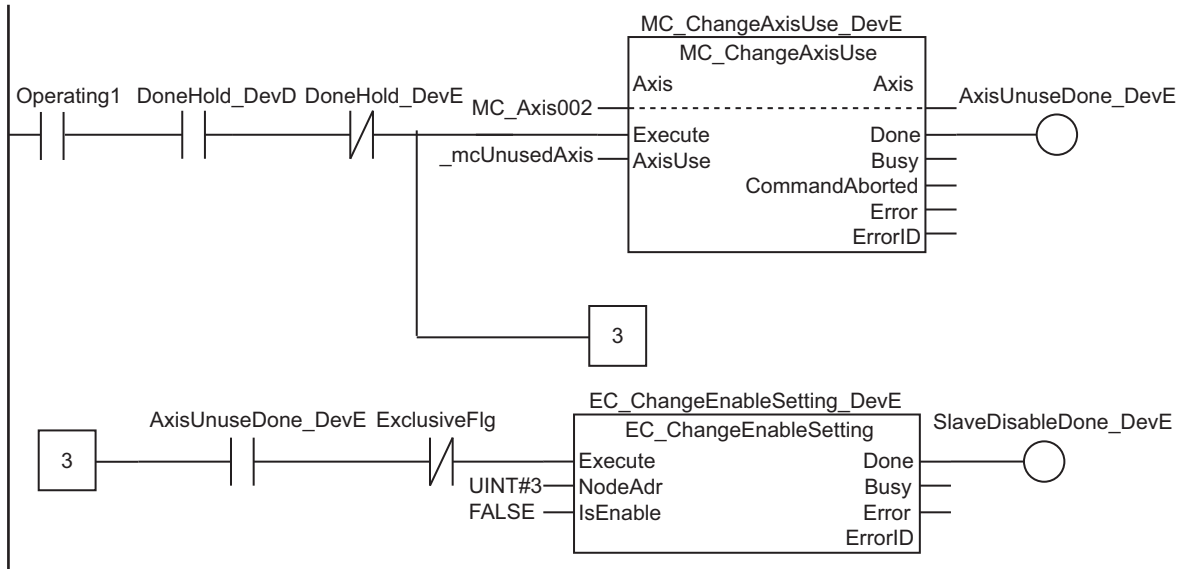
Change axis to unused axis and disable EtherCAT slave D.



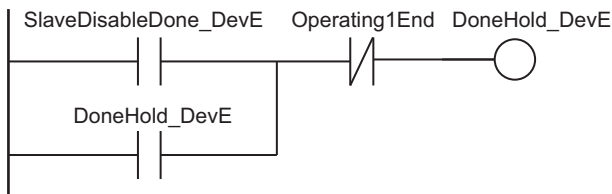
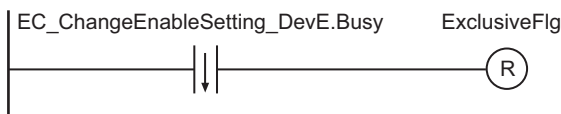
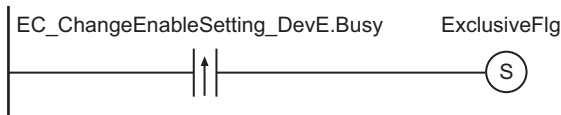
Exclusive control of instructions



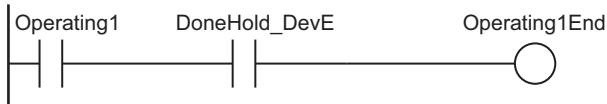
Change axis to unused axis and disable EtherCAT slave E.



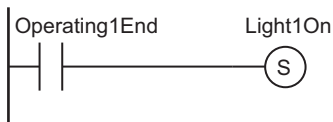
Exclusive control of instructions



Confirm changing axis to unused axis and disabling EtherCAT slave E.



Lighting removal OK lamp



## ● ST

Internal Variables	Variable	Data type	Initial value	Comment
	Operating1End	BOOL	FALSE	Processing completed
	Trigger1	BOOL	FALSE	Execution condition
	Operating1	BOOL	FALSE	Processing
	Operating1Set	BOOL	FALSE	Processing started
	Light1On	BOOL	FALSE	Lighting removal OK lamp
	DoneHold_DevC	BOOL	FALSE	Holding completion of processing for EtherCAT slave C
	DoneHold_DevD	BOOL	FALSE	Holding completion of processing for EtherCAT slave D
	DoneHold_DevE	BOOL	FALSE	Holding completion of processing for EtherCAT slave E
	ExclusiveFlgSet	BOOL	FALSE	Instruction Exclusive Flag ON
	ExclusiveFlgReset	BOOL	FALSE	Instruction Exclusive Flag OFF
	R_TRIG_instance1	R_TRIG		
	RS_instance1	RS		
	SR_instance1	SR		
	MC_ChangeAxisUse_DevC	MC_ChangeAxisUse		
	EC_ChangeEnableSetting_DevC	EC_ChangeEnableSetting		
	R_TRIG_DevC	R_TRIG		
	F_TRIG_DevC	F_TRIG		
	RS_ExFlg_DevC	RS		
	RS_DevC	RS		
	MC_ChangeAxisUse_DevD	MC_ChangeAxisUse		
	EC_ChangeEnableSetting_DevD	EC_ChangeEnableSetting		
	R_TRIG_DevD	R_TRIG		
	F_TRIG_DevD	F_TRIG		
	RS_ExFlg_DevD	RS		
	RS_DevD	RS		
	MC_ChangeAxisUse_DevE	MC_ChangeAxisUse		
	EC_ChangeEnableSetting_DevE	EC_ChangeEnableSetting		
	R_TRIG_DevE	R_TRIG		
	F_TRIG_DevE	F_TRIG		
	RS_ExFlg_DevE	RS		
	RS_DevE	RS		



External Variables	Variable	Data type	Constant	Comment
	MC_Axis000	_sAXIS_REF	<input checked="" type="checkbox"/>	Axis variable for EtherCAT slave C
	MC_Axis001	_sAXIS_REF	<input checked="" type="checkbox"/>	Axis variable for EtherCAT slave D
	MC_Axis002	_sAXIS_REF	<input checked="" type="checkbox"/>	Axis variable for EtherCAT slave E
	ExclusiveFlg	BOOL	<input type="checkbox"/>	Instruction Exclusive Flag

```

// Accept execution condition trigger.
R_TRIG_instancel(Trigger1, Operating1Set);
RS_instancel(
  Set :=Operating1Set,
  Reset1:=Operating1End,
  Q1 =>Operating1);

// Change axis to unused axis for EtherCAT slave C.
MC_ChangeAxisUse_DevC(
  Axis :=MC_Axis000,
  Execute:=(Operating1 & NOT(DoneHold_DevC)),
  AxisUse:=_mcUnusedAxis);

// Disable EtherCAT slave C.
EC_ChangeEnableSetting_DevC(
  Execute :=(Operating1 & MC_ChangeAxisUse_DevC.Done & NOT(ExclusiveFlg)),
  NodeAdr :=UINT#1,
  IsEnable:=FALSE);

// Exclusive control of instructions
R_TRIG_DevC(EC_ChangeEnableSetting_DevC.Busy, ExclusiveFlgSet);
F_TRIG_DevC(EC_ChangeEnableSetting_DevC.Busy, ExclusiveFlgReset);
RS_ExFlg_DevC(
  Set :=ExclusiveFlgSet,
  Reset1:=ExclusiveFlgReset,
  Q1 =>ExclusiveFlg);
RS_DevC(
  Set :=EC_ChangeEnableSetting_DevC.Done,
  Reset1:=Operating1End,
  Q1 =>DoneHold_DevC);

// Change axis to unused axis for EtherCAT slave D.
MC_ChangeAxisUse_DevD(
  Axis :=MC_Axis001,
  Execute:=(Operating1 & DoneHold_DevC & NOT(DoneHold_DevD)),
  AxisUse:=_mcUnusedAxis);

```

```

// Disable EtherCAT slave D.
EC_ChangeEnableSetting_DevD(
    Execute :=(Operating1 & DoneHold_DevC & MC_ChangeAxisUse_DevD.Done & NOT(ExclusiveFlg)),
    NodeAdr :=UINT#2,
    IsEnable:=FALSE);

// Exclusive control of instructions
R_TRIG_DevD(EC_ChangeEnableSetting_DevD.Busy, ExclusiveFlgSet);
F_TRIG_DevD(EC_ChangeEnableSetting_DevD.Busy, ExclusiveFlgReset);
RS_ExFlg_DevD(
    Set :=ExclusiveFlgSet,
    Reset1:=ExclusiveFlgReset,
    Q1 =>ExclusiveFlg);
RS_DevD(
    Set :=EC_ChangeEnableSetting_DevD.Done,
    Reset1:=Operating1End,
    Q1 =>DoneHold_DevD);

// Change axis to unused axis for EtherCAT slave E.
MC_ChangeAxisUse_DevE(
    Axis :=MC_Axis002,
    Execute:=(Operating1 & DoneHold_DevD & NOT(DoneHold_DevE)),
    AxisUse:=_mcUnusedAxis);

// Disable EtherCAT slave E.
EC_ChangeEnableSetting_DevE(
    Execute :=(Operating1 & DoneHold_DevD & MC_ChangeAxisUse_DevE.Done & NOT(ExclusiveFlg)),
    NodeAdr :=UINT#3,
    IsEnable:=FALSE);

// Exclusive control of instructions
R_TRIG_DevE(EC_ChangeEnableSetting_DevE.Busy, ExclusiveFlgSet);
F_TRIG_DevE(EC_ChangeEnableSetting_DevE.Busy, ExclusiveFlgReset);
RS_ExFlg_DevE(
    Set :=ExclusiveFlgSet,
    Reset1:=ExclusiveFlgReset,
    Q1 =>ExclusiveFlg);
RS_DevE(
    Set :=EC_ChangeEnableSetting_DevE.Done,
    Reset1:=Operating1End,
    Q1 =>DoneHold_DevE);

// Confirm changing axis to unused axis and disabling EtherCAT slave E.
Operating1End:=(Operating1 & DoneHold_DevE);

```

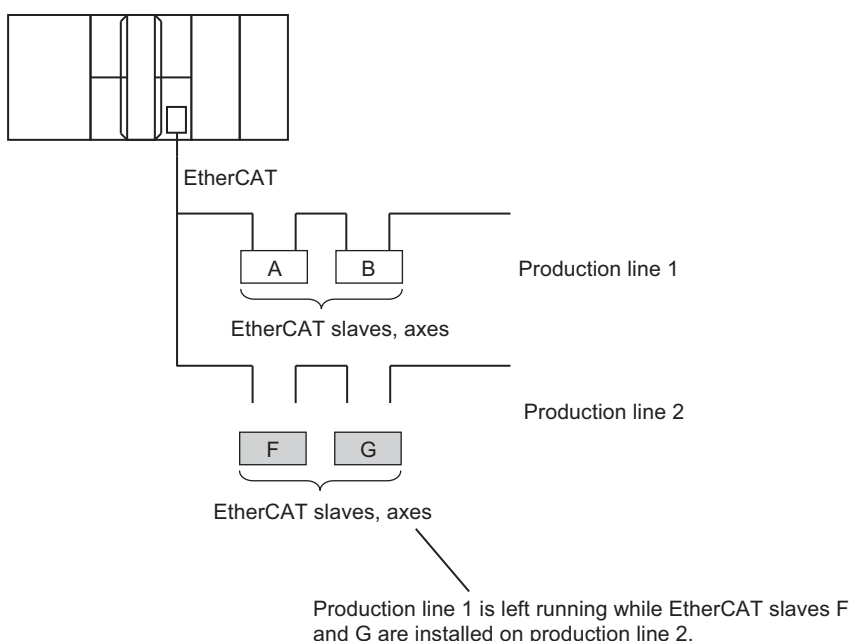
```
// Lighting removal OK lamp
SR_instance1(
  Set1:=Operating1End,
  Q1 =>Light1On);
```

## Example of Connecting EtherCAT Slaves to an EtherCAT Network

Production line 1 from the previous example is left running while EtherCAT slaves F and G are installed on production line 2.

Motion control axes are set for EtherCAT slaves F and G.

Therefore, the EtherCAT slaves are enabled and the axes are changed to used axes.



### ● Procedure

The operating procedure for the sample programming is as follows:

- 1** The operator uses the following procedure to install EtherCAT slaves F and G.
- 2** The operator presses a button on an HMI to turn ON the execution condition.
- 3** The Controller enables EtherCAT slaves F and G. Also, the axes for those slaves are changed to used axes.
- 4** When enabling and changing the axes to used axes is completed for the two EtherCAT slaves, the Controller lights an installation completed lamp.

### ● Instruction to Change Axes to Used Axes

The MC\_ChangeAxisUse instruction is used to change axes to used axes.

Refer to the *NJ/NX-series Motion Control Instructions Reference Manual (Cat. No. W508)* for the detailed specifications of the MC\_ChangeAxisUse instruction.

### ● Exclusive Control of Instructions

You can execute only one EC\_ChangeEnableSetting instruction at the same time.

Also, the EC\_ChangeEnableSetting instruction is executed over more than one task period.

Confirm the completion of the EC\_ChangeEnableSetting instruction before you execute the next EC\_ChangeEnableSetting instruction.

The *ExclusiveFlg* variable (Instruction Exclusive Flag) is used for this purpose.

If the value of *ExclusiveFlg* is TRUE, then an EC\_ChangeEnableSetting instruction is in execution.

Do not execute the next EC\_ChangeEnableSetting instruction while the value of *ExclusiveFlg* is TRUE.

You cannot execute the EC\_ChangeEnableSetting instruction at the same time as another EC\_ChangeEnableSetting instruction is in execution in another task.

*ExclusiveFlg* is defined as a global variable in this sample program.

That allows this sample programming to perform exclusive control with EC\_ChangeEnableSetting instructions in the other tasks.

In this case, however, the same global variable (*ExclusiveFlg*) must also be used in the other tasks to perform exclusive control of instructions.

You cannot execute the EC\_ChangeEnableSetting instruction at the same time as the EC\_DisconnectSlave or EC\_ConnectSlave instruction.

The same global variable, *ExclusiveFlg*, is used in *Sample Programming* on page 2-1028 for the EC\_DisconnectSlave instruction to explain exclusive control of instructions.

### ● Axis Variables and Node Addresses for the EtherCAT Slaves

The axis variables that are assigned to the axes for EtherCAT slaves F and G and the node addresses of the slaves are given in the following table.

EtherCAT slaves	Axis variable	Node address
F	MC_Axis003	4
G	MC_Axis004	5

### ● Global Variables

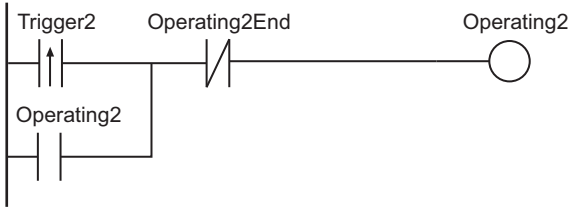
Variable	Data type	Initial value	AT specification	Constant	Comment
MC_Axis003	_sAXIS_REF		MC://_MC_AX[3]	<input checked="" type="checkbox"/>	Axis variable for EtherCAT slave F
MC_Axis004	_sAXIS_REF		MC://_MC_AX[4]	<input checked="" type="checkbox"/>	Axis variable for EtherCAT slave G
ExclusiveFlg	BOOL	FALSE		<input type="checkbox"/>	Instruction Exclusive Flag

## ● LD

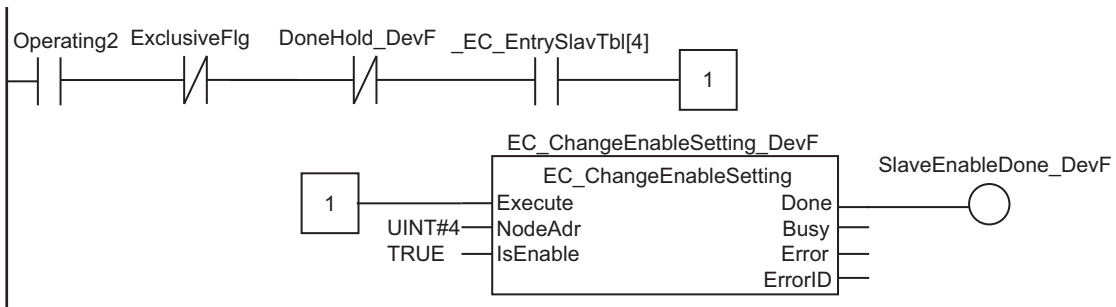
Internal Variables	Variable	Data type	Initial value	Comment
	Operating2End	BOOL	FALSE	Processing completed
	Trigger2	BOOL	FALSE	Execution condition
	Operating2	BOOL	FALSE	Processing
	AxisUseDone_DevF	BOOL	FALSE	Changing axis to used axis completed for EtherCAT slave F
	SlaveEnableDone_DevF	BOOL	FALSE	Enabling EtherCAT slave F completed
	DoneHold_DevF	BOOL	FALSE	Holding completion of processing for EtherCAT slave F
	AxisUseDone_DevG	BOOL	FALSE	Changing axis to used axis completed for EtherCAT slave G
	SlaveEnableDone_DevG	BOOL	FALSE	Enabling EtherCAT slave G completed
	DoneHold_DevG	BOOL	FALSE	Holding completion of processing for EtherCAT slave G
	Light2On	BOOL	FALSE	Lighting installation completed lamp
	MC_ChangeAxisUse_DevF	MC_ChangeAxisUse		
	EC_ChangeEnableSetting_DevF	EC_ChangeEnableSetting		
	MC_ChangeAxisUse_DevG	MC_ChangeAxisUse		
	EC_ChangeEnableSetting_DevG	EC_ChangeEnableSetting		

External Variables	Variable	Data type	Constant	Comment
	MC_Axis003	_sAXIS_REF	<input checked="" type="checkbox"/>	Axis variable for EtherCAT slave F
	MC_Axis004	_sAXIS_REF	<input checked="" type="checkbox"/>	Axis variable for EtherCAT slave G
	ExclusiveFlg	BOOL	<input type="checkbox"/>	Instruction Exclusive Flag

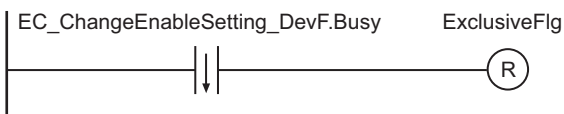
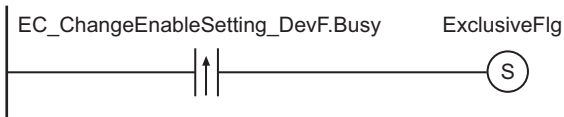
Accept execution condition trigger.



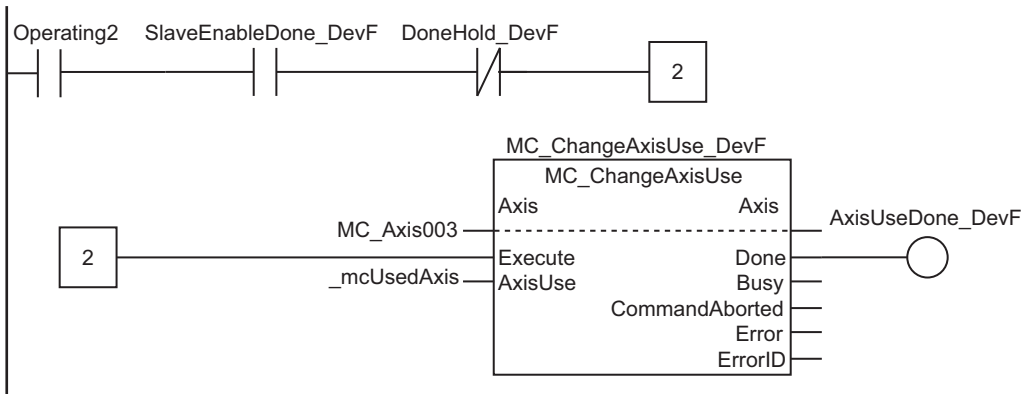
Enable EtherCAT slave F.



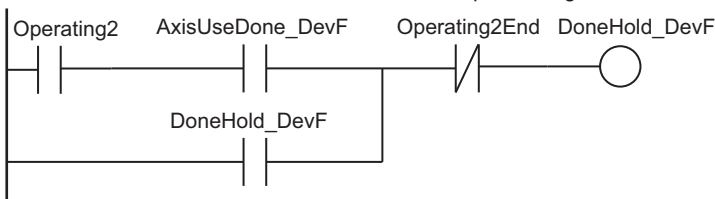
Exclusive control of instructions. Start enabling EtherCAT slave F and confirm completion.



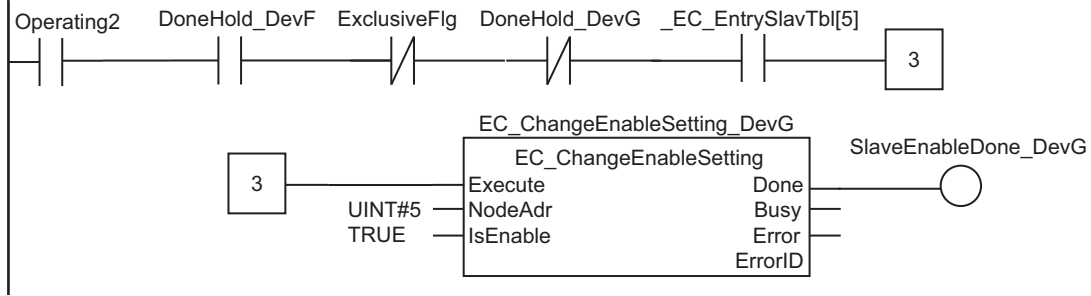
Change axis to used axis for EtherCAT slave F.



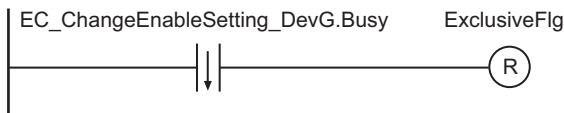
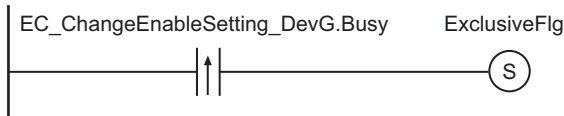
Exclusive control of instructions. Confirm that all processing for EtherCAT slave F is completed.



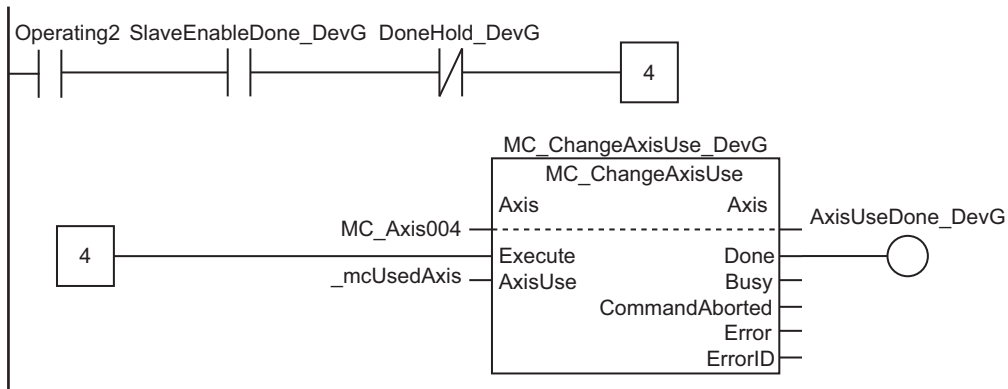
Enable EtherCAT slave G.



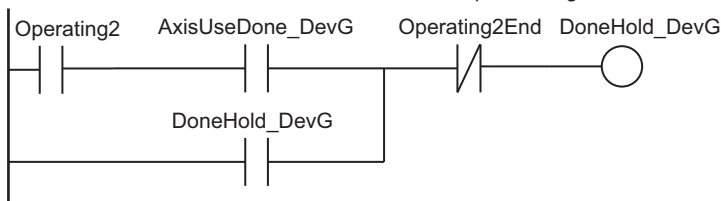
Exclusive control of instructions. Start enabling EtherCAT slave G and confirm completion.



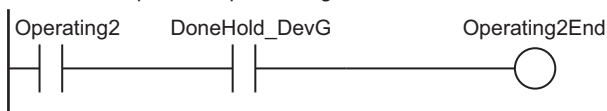
Change axis to used axis for EtherCAT slave G.

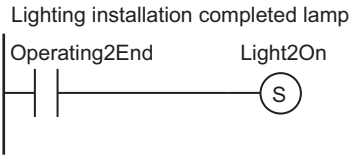


Exclusive control of instructions. Confirm that all processing for EtherCAT slave G is completed.



Confirm completion of processing for EtherCAT slave G





### ● ST

Internal Variables	Variable	Data type	Initial value	Comment
	Operating2End	BOOL	FALSE	Processing completed
	Trigger2	BOOL	FALSE	Execution condition
	Operating2	BOOL	FALSE	Processing
	Operating2Set	BOOL	FALSE	Processing started
	Light2On	BOOL	FALSE	Lighting installation completed lamp
	DoneHold_DevF	BOOL	FALSE	Holding completion of processing for EtherCAT slave F
	DoneHold_DevG	BOOL	FALSE	Holding completion of processing for EtherCAT slave G
	ExclusiveFlgSet	BOOL	FALSE	Instruction Exclusive Flag ON
	ExclusiveFlgReset	BOOL	FALSE	Instruction Exclusive Flag OFF
	R_TRIG_instance2	R_TRIG		
	RS_instance2	RS		
	SR_instance2	SR		
	MC_ChangeAxisUse_DevF	MC_ChangeAxisUse		
	EC_ChangeEnableSetting_DevF	EC_ChangeEnableSetting		
	R_TRIG_DevF	R_TRIG		
	F_TRIG_DevF	F_TRIG		
	RS_ExFlg_DevF	RS		
	RS_DevF	RS		
	MC_ChangeAxisUse_DevG	MC_ChangeAxisUse		
	EC_ChangeEnableSetting_DevG	EC_ChangeEnableSetting		
	R_TRIG_DevG	R_TRIG		
	F_TRIG_DevG	F_TRIG		
	RS_ExFlg_DevG	RS		
	RS_DevG	RS		



External Variables	Variable	Data type	Constant	Comment
	MC_Axis003	_sAXIS_REF	<input checked="" type="checkbox"/>	Axis variable for EtherCAT slave F
	MC_Axis004	_sAXIS_REF	<input checked="" type="checkbox"/>	Axis variable for EtherCAT slave G
	ExclusiveFlg	BOOL	<input type="checkbox"/>	Instruction Exclusive Flag

```

// Accept execution condition trigger
R_TRIG_instance2(Trigger2, Operating2Set);
RS_instance2(
    Set :=Operating2Set,
    Reset1:=Operating2End,
    Q1 =>Operating2);

// Enable EtherCAT slave F
EC_ChangeEnableSetting_DevF(
    Execute :=(Operating2 & NOT(ExclusiveFlg) & NOT(DoneHold_DevF) & _EC_EntrySlavTb
1[4]),
    NodeAdr :=UINT#4,
    IsEnable:=TRUE);

// Exclusive control of instructions. Start enabling EtherCAT slave F and confirm c
ompletion
R_TRIG_DevF(EC_ChangeEnableSetting_DevF.Busy, ExclusiveFlgSet);
F_TRIG_DevF(EC_ChangeEnableSetting_DevF.Busy, ExclusiveFlgReset);
RS_ExFlg_DevF(
    Set :=ExclusiveFlgSet,
    Reset1:=ExclusiveFlgReset,
    Q1 =>ExclusiveFlg);

// Change axis to used axis for EtherCAT slave F
MC_ChangeAxisUse_DevF(
    Axis :=MC_Axis003,
    Execute:=(Operating2 & EC_ChangeEnableSetting_DevF.Done & NOT(DoneHold_DevF)),
    AxisUse:=_mcUsedAxis);

// Exclusive control of instructions. Confirm that all processing for EtherCAT slav
e F is completed
RS_DevF(
    Set :=(Operating2 & MC_ChangeAxisUse_DevF.Done),
    Reset1:=Operating2End,
    Q1 =>DoneHold_DevF);

// Enable EtherCAT slave G

```

```
EC_ChangeEnableSetting_DevG(  
  Execute :=(Operating2 & DoneHold_DevF & NOT(ExclusiveFlg) & NOT(DoneHold_DevG) &  
    _EC_EntrySlavTbl[5]),  
  NodeAdr :=UINT#5,  
  IsEnable:=TRUE);  
  
// Exclusive control of instructions. Start enabling EtherCAT slave G and confirm c  
ompletion  
R_TRIG_DevG(EC_ChangeEnableSetting_DevG.Busy, ExclusiveFlgSet);  
F_TRIG_DevG(EC_ChangeEnableSetting_DevG.Busy, ExclusiveFlgReset);  
RS_ExFlg_DevG(  
  Set :=ExclusiveFlgSet,  
  Reset1:=ExclusiveFlgReset,  
  Q1 =>ExclusiveFlg);  
  
// Change axis to used axis for EtherCAT slave G  
MC_ChangeAxisUse_DevG(  
  Axis :=MC_Axis004,  
  Execute:=(Operating2 & EC_ChangeEnableSetting_DevG.Done & NOT(DoneHold_DevG)),  
  AxisUse:=_mcUsedAxis);  
  
// Exclusive control of instructions. Confirm that all processing for EtherCAT slav  
e G is completed  
RS_DevG(  
  Set :=(Operating2 & MC_ChangeAxisUse_DevG.Done),  
  Reset1:=Operating2End,  
  Q1 =>DoneHold_DevG);  
  
// Confirm completion of processing for EtherCAT slave G  
Operating2End:=Operating2 & DoneHold_DevG;  
  
// Lighting installation completed lamp  
SR_instance2(  
  Set1:=Operating2End,  
  Q1 =>Light2On);
```

# EC\_GetMasterStatistics

Reads diagnostic and statistical information in the EtherCAT master.

Instruction	Name	FB/ FUN	Graphic expression	ST expression
EC_GetMasterStatistics	Read EtherCAT Master Diagnostic and Statistical Information	FB		EC_GetMasterStatistics_instance(Execute, Done, Busy, Error, ErrorID, MasterStat);



## Version Information

Depending on the unit version of the CPU Unit and the Sysmac Studio version, the following restrictions apply:

- An NX502 CPU Unit, NX102 CPU Unit, NX1P2 CPU Unit, or NJ-series CPU Unit with unit version 1.64 or later and Sysmac Studio version 1.56 or higher are required to use this instruction.

## Variables

	Meaning	I/O	Description	Valid range	Unit	Default
MasterStat	Master diagnostic and statistical information	Output	Stores diagnostic and statistical information of the EtherCAT master that was read.	Depends on data type.	---	---

	Boo lean	Bit strings				Integers							Real numbers		Times, durations, dates, and text strings					
	BOOL	BYTE	WORD	DWORD	LWORD	USINT	UINT	UDINT	ULINT	SINT	INT	DINT	LINT	REAL	LREAL	TIME	DATE	TOD	DT	STRING
MasterStat	Refer to <i>Function</i> on page 2-1057 for details on the structure <code>_sECAT_MASTER_STAT</code> .																			

## Function

The EC\_GetMasterStatistics instruction reads diagnostic and statistical information in the EtherCAT master.

The diagnostic and statistical information in the EtherCAT master that was read is stored in the master diagnostic and statistical information *MasterStat*.

The data type of *MasterStat* is structure `_sECAT_MASTER_STAT`. The specifications are as follows:

Name	Meaning	Description	Data type	Valid range	Unit	Default
MasterStat	Master diagnostic and statistical information	Stores diagnostic and statistical information of the EtherCAT master that was read.	_sE-CAT_MASTER_STAT	---	---	---
TotalSentCnt	Total number of frames sent	Total number of EtherCAT frames sent by the master	UDINT	Depends on data type.	---	---
Total-RecvCnt	Total number of frames received	Total number of EtherCAT frames received by the master	UDINT			
TimeoutCnt	Number of frame reception timeouts	Number of frame reception timeouts occurred	UDINT			
DiscardP-DOCnt	Number of process data discarded when receiving	Number of process data discarded during process data reception processing	UDINT			
NetDelay	Network propagation delay time	Time from the CPU Unit sending a frame until the sent frame receiving	UDINT			
CRCErrCnt	Number of CRC error frames received	Number of frames with a CRC error received	UDINT			

## Related System-defined Variables

Name	Meaning	Data type	Description
_EC_StatisticsLogBusy	Diagnosis/Statistics Log Busy	BOOL	This variable indicates whether the diagnosis/statistics log is in execution. TRUE: In execution. FALSE: Not in execution.

## Precautions for Correct Use

- Execution of this instruction is continued until processing is completed even if the value of *Execute* changes to FALSE or the execution time exceeds the task period. The value of *Done* changes to TRUE when processing is completed. Use this to confirm normal completion of the processing.
- Refer to *Using this Section* on page 2-3 for a timing chart for *Execute*, *Done*, *Busy*, and *Error*.
- This instruction can be used only for the NJ/NX-series EtherCAT ports.
- You cannot use this instruction in an event task. A compiling error will occur.
- You cannot execute this instruction while the diagnosis/statistics log of the CPU Unit is in execution.
- You cannot execute this instruction while another instance of the Read EtherCAT Master Diagnostic and Statistical Information instruction is in execution or the Clear EtherCAT Master Diagnostic and Statistical Information instruction is in execution.

- If you execute a clear operation of diagnostic and statistical information during readout of the diagnostic and statistical information, the diagnostic and statistical information that is cleared to 0 may be read.
- You can execute a maximum of 32 of the following instructions at the same time: EC\_CoESDOWrite, EC\_CoESDORead, EC\_StartMon, EC\_StopMon, EC\_SaveMon, EC\_CopyMon, EC\_DisconnectSlave, EC\_ConnectSlave, EC\_ChangeEnableSetting, EC\_GetMasterStatistics, EC\_ClearMasterStatistics, EC\_GetSlaveStatistics, EC\_ClearSlaveStatistics, IOL\_ReadObj, and IOL\_WriteObj.
- An error will occur in the following cases. *Error* will change to TRUE, and an error code is assigned to *ErrorID*.

And nothing is stored in the EtherCAT master diagnostic and statistical information *MasterStat*.

- a) The diagnosis/statistics log of the CPU Unit is in execution.
- b) Another instance of the Read EtherCAT Master Diagnostic and Statistical Information instruction is in execution or the Clear EtherCAT Master Diagnostic and Statistical Information instruction is in execution.
- c) More than 32 of the following instructions were executed at the same time: EC\_CoESDOWrite, EC\_CoESDORead, EC\_StartMon, EC\_StopMon, EC\_SaveMon, EC\_CopyMon, EC\_DisconnectSlave, EC\_ConnectSlave, EC\_ChangeEnableSetting, EC\_GetMasterStatistics, EC\_ClearMasterStatistics, EC\_GetSlaveStatistics, EC\_ClearSlaveStatistics, IOL\_ReadObj, and IOL\_WriteObj.
- d) An EtherCAT Frame Not Received event is in occurrence and the error location is being identified.

# EC\_ClearMasterStatistics

Clears diagnostic and statistical information in the EtherCAT master.

Instruction	Name	FB/ FUN	Graphic expression	ST expression
EC_ClearMasterStatistics	Clear EtherCAT Master Diagnostic and Statistical Information	FB		EC_ClearMasterStatistics_instance(Execute, Done, Busy, Error, ErrorID);



## Version Information

Depending on the unit version of the CPU Unit and the Sysmac Studio version, the following restrictions apply:

- An NX502 CPU Unit, NX102 CPU Unit, NX1P2 CPU Unit, or NJ-series CPU Unit with unit version 1.64 or later and Sysmac Studio version 1.56 or higher are required to use this instruction.

## Variables

Only common variables are used.

## Function

The EC\_ClearMasterStatistics instruction clears diagnostic and statistical information in the EtherCAT master.

## Related System-defined Variables

Name	Meaning	Data type	Description
_EC_StatisticsLogBusy	Diagnosis/Statistics Log Busy	BOOL	This variable indicates whether the diagnosis/statistics log is in execution. TRUE: In execution. FALSE: Not in execution.

## Precautions for Correct Use

- Execution of this instruction is continued until processing is completed even if the value of *Execute* changes to FALSE or the execution time exceeds the task period. The value of *Done* changes to TRUE when processing is completed. Use this to confirm normal completion of the processing.
- Refer to *Using this Section* on page 2-3 for a timing chart for *Execute*, *Done*, *Busy*, and *Error*.
- This instruction can be used only for the NJ/NX-series EtherCAT ports.
- You cannot use this instruction in an event task. A compiling error will occur.
- You cannot execute this instruction while the diagnosis/statistics log of the CPU Unit is in execution.

- You cannot execute this instruction while another instance of the Clear EtherCAT Master Diagnostic and Statistical Information instruction is in execution or the Read EtherCAT Master Diagnostic and Statistical Information instruction is in execution.
- You can execute a maximum of 32 of the following instructions at the same time: EC\_CoESDOWrite, EC\_CoESDORead, EC\_StartMon, EC\_StopMon, EC\_SaveMon, EC\_CopyMon, EC\_DisconnectSlave, EC\_ConnectSlave, EC\_ChangeEnableSetting, EC\_GetMasterStatistics, EC\_ClearMasterStatistics, EC\_GetSlaveStatistics, EC\_ClearSlaveStatistics, IOL\_ReadObj, and IOL\_WriteObj.
- An error will occur in the following cases. *Error* will change to TRUE, and an error code is assigned to *ErrorID*.
  - a) The diagnosis/statistics log of the CPU Unit is in execution.
  - b) Another instance of the Clear EtherCAT Master Diagnostic and Statistical Information instruction is in execution or the Read EtherCAT Master Diagnostic and Statistical Information instruction is in execution.
  - c) More than 32 of the following instructions were executed at the same time: EC\_CoESDOWrite, EC\_CoESDORead, EC\_StartMon, EC\_StopMon, EC\_SaveMon, EC\_CopyMon, EC\_DisconnectSlave, EC\_ConnectSlave, EC\_ChangeEnableSetting, EC\_GetMasterStatistics, EC\_ClearMasterStatistics, EC\_GetSlaveStatistics, EC\_ClearSlaveStatistics, IOL\_ReadObj, and IOL\_WriteObj.
  - d) An EtherCAT Frame Not Received event is in occurrence and the error location is being identified.

# EC\_GetSlaveStatistics

Reads diagnostic and statistical information in the EtherCAT slave.

Instruction	Name	FB/ FUN	Graphic expression	ST expression
EC_GetSlaveStatistics	Read EtherCAT Slave Diagnostic and Statistical Information	FB		EC_GetSlaveStatistics_instance(Execute, SlaveStat, Done, Busy, Error, ErrorID, SlaveStatCount);



## Version Information

Depending on the unit version of the CPU Unit and the Sysmac Studio version, the following restrictions apply:

- An NX502 CPU Unit, NX102 CPU Unit, NX1P2 CPU Unit, or NJ-series CPU Unit with unit version 1.64 or later and Sysmac Studio version 1.56 or higher are required to use this instruction.

## Variables

	Meaning	I/O	Description	Valid range	Unit	Default
SlaveStat[] array	Slave diagnostic and statistical information	In-out	Stores diagnostic and statistical information of the EtherCAT slave that was read.	Depends on data type.	---	---
SlaveStat-Count	Number of elements of slave diagnostic and statistical information read	Output	Number of EtherCAT slaves registered in the EtherCAT master network configuration information	Depends on data type.	---	---

	Boo lean	Bit strings				Integers							Real numbers		Times, durations, dates, and text strings					
	BOOL	BYTE	WORD	DWORD	LWORD	USINT	UINT	UDINT	ULINT	SINT	INT	DINT	LINT	REAL	LREAL	TIME	DATE	TOD	DT	STRING
SlaveStat[] array	Refer to <i>Function</i> on page 2-1062 for details on the structure <code>_sECAT_SLAVE_STAT</code> .																			
SlaveStat-Count						OK														

## Function

The EC\_GetSlaveStatistics instruction reads diagnostic and statistical information in the EtherCAT slaves.



The number of EtherCAT slaves that is registered in the network configuration information of the EtherCAT master is stored in *SlaveStatCount*, the number of elements of the read slave diagnostic and statistical information.

The diagnostic and statistical information read from the EtherCAT slave is stored in the slave diagnostic and statistical information *SlaveStat[]*.

Make sure that the number of elements in the *SlaveStat[]* array that stores slave diagnostic and statistical information is equal to or greater than the number of slaves in the network configuration information. If the number of elements is less than the number of slaves in the network configuration information, an error will occur when the instruction is executed.

The data type of *SlaveStat[]* is structure `_sECAT_SLAVE_STAT`. The specifications are as follows:

Name	Meaning	Description	Data type	Valid range	Unit	Default
SlaveStat	Slave diagnostic and statistical information	Slave diagnostic and statistical information	<code>_sECAT_SLAVE_STAT</code>	---	---	---
Result	Acquisition result	Result of acquiring diagnostic and statistical information for the slave	<code>_eEC_STAT_RESULT</code>	Depends on data type.	---	---
NodeAdr	Node address	Node address of the slave	UINT			
PortNum	Number of ports	Number of ports that the slave has	USINT			
ErrCnt	Error counter per port	Error counter per port	ARRAY [0..3] OF USINT			

The data type of *SlaveStat.Result* is enumerated type `_eEC_STAT_RESULT`. The meaning of the enumerator is as follows:

Enumerator	Meaning
<code>_EC_STAT_SUCCESS</code>	Acquisition succeeded
<code>_EC_STAT_FAIL</code>	Acquisition failed
<code>_EC_STAT_UNCONNECTED</code>	Not connected

The slave diagnostic and statistical information is stored in the *SlaveStat[]* array in the order of connection of the EtherCAT master network configuration information.

In addition, the error counter for each port of the EtherCAT slave diagnostic and statistical information is stored in the order of the ports that receive frames, as shown below.

- A slave with two ports (input and output only)  
ErrCnt[0] = Input, ErrCnt[1] = Output
- A slave with three ports (GX-JC03 with input, X2, and X3)  
ErrCnt[0] = Input, ErrCnt[1] = X2, ErrCnt[2] = X3
- A slave with six ports (GX-JC06 Main device with input, X2, X3, and Internal Port and GX-JC06 Sub-device with Internal Port, X4, X5, and X6)  
Main device and sub-device are stored as separate slaves.
  - a) Main device  
ErrCnt[0] = Input, ErrCnt[1] = X2, ErrCnt[2] = X3, ErrCnt[3] = Internal Port
  - b) Sub-device  
ErrCnt[0] = Internal Port, ErrCnt[1] = X4, ErrCnt[2] = X5, ErrCnt[3] = X6

## Related System-defined Variables

Name	Meaning	Data type	Description
_EC_StatisticsLogBusy	Diagnosis/Statistics Log Busy	BOOL	This variable indicates whether the diagnosis/statistics log is in execution. TRUE: In execution. FALSE: Not in execution.

## Precautions for Correct Use

- Execution of this instruction is continued until processing is completed even if the value of *Execute* changes to FALSE or the execution time exceeds the task period. The value of *Done* changes to TRUE when processing is completed. Use this to confirm normal completion of the processing.
- Refer to *Using this Section* on page 2-3 for a timing chart for *Execute*, *Done*, *Busy*, and *Error*.
- This instruction can be used only for the NJ/NX-series EtherCAT ports.
- You cannot use this instruction in an event task. A compiling error will occur.
- The EtherCAT slaves from which diagnostic and statistical information is read are only those registered in the EtherCAT master network configuration information downloaded to the CPU Unit and that matches the actual network configuration.
- There is no data concurrency for each EtherCAT slave because all EtherCAT slave diagnostic and statistical information is read over more than one task period.
- You cannot execute this instruction while the diagnosis/statistics log of the CPU Unit is in execution.
- You cannot execute this instruction while another instance of the Read EtherCAT Slave Diagnostic and Statistical Information instruction is in execution or the Clear EtherCAT Slave Diagnostic and Statistical Information instruction is in execution.
- If you execute a clear operation of diagnostic and statistical information during readout of the diagnostic and statistical information, the diagnostic and statistical information that is cleared to 0 may be read.
- You can execute a maximum of 32 of the following instructions at the same time: EC\_CoESDOWrite, EC\_CoESDORead, EC\_StartMon, EC\_StopMon, EC\_SaveMon, EC\_CopyMon, EC\_DisconnectSlave, EC\_ConnectSlave, EC\_ChangeEnableSetting, EC\_GetMasterStatistics, EC\_ClearMasterStatistics, EC\_GetSlaveStatistics, EC\_ClearSlaveStatistics, IOL\_ReadObj, and IOL\_WriteObj.
- An error will occur in the following cases. *Error* will change to TRUE, and an error code is assigned to *ErrorID*.
  - a) The diagnosis/statistics log of the CPU Unit is in execution.
  - b) Another instance of the Read EtherCAT Slave Diagnostic and Statistical Information instruction is in execution or the Clear EtherCAT Slave Diagnostic and Statistical Information instruction is in execution.
  - c) More than 32 of the following instructions were executed at the same time: EC\_CoESDOWrite, EC\_CoESDORead, EC\_StartMon, EC\_StopMon, EC\_SaveMon, EC\_CopyMon, EC\_DisconnectSlave, EC\_ConnectSlave, EC\_ChangeEnableSetting, EC\_GetMasterStatistics, EC\_ClearMasterStatistics, EC\_GetSlaveStatistics, EC\_ClearSlaveStatistics, IOL\_ReadObj, and IOL\_WriteObj.
  - d) An EtherCAT Frame Not Received event is in occurrence and the error location is being identified.
  - e) The number of elements in the *SlaveStat[]* array is less than the number of slaves in the network configuration information.

# EC\_ClearSlaveStatistics

Clears diagnostic and statistical information in the EtherCAT slave.

Instruction	Name	FB/ FUN	Graphic expression	ST expression
EC_ClearSlaveStatistics	Clear EtherCAT Slave Diagnostic and Statistical Information	FB		EC_ClearSlaveStatistics_instance(Execute, Done, Busy, Error, ErrorID);



## Version Information

Depending on the unit version of the CPU Unit and the Sysmac Studio version, the following restrictions apply:

- An NX502 CPU Unit, NX102 CPU Unit, NX1P2 CPU Unit, or NJ-series CPU Unit with unit version 1.64 or later and Sysmac Studio version 1.56 or higher are required to use this instruction.

## Variables

Only common variables are used.

## Function

The EC\_ClearSlaveStatistics instruction clears diagnostic and statistical information in the EtherCAT slave.

## Related System-defined Variables

Name	Meaning	Data type	Description
_EC_StatisticsLogBusy	Diagnosis/Statistics Log Busy	BOOL	This variable indicates whether the diagnosis/statistics log is in execution. TRUE: In execution. FALSE: Not in execution.

## Precautions for Correct Use

- Execution of this instruction is continued until processing is completed even if the value of *Execute* changes to FALSE or the execution time exceeds the task period. The value of *Done* changes to TRUE when processing is completed. Use this to confirm normal completion of the processing.
- Refer to *Using this Section* on page 2-3 for a timing chart for *Execute*, *Done*, *Busy*, and *Error*.
- This instruction can be used only for the NJ/NX-series EtherCAT ports.
- You cannot use this instruction in an event task. A compiling error will occur.

- The EtherCAT slaves from which diagnostic and statistical information is cleared are only those registered in the EtherCAT master network configuration information downloaded to the CPU Unit and that matches the actual network configuration.
- You cannot execute this instruction while the diagnosis/statistics log of the CPU Unit is in execution.
- You cannot execute this instruction while another instance of the Clear EtherCAT Slave Diagnostic and Statistical Information instruction is in execution or the Read EtherCAT Slave Diagnostic and Statistical Information instruction is in execution.
- You can execute a maximum of 32 of the following instructions at the same time: EC\_CoESDOWrite, EC\_CoESDORead, EC\_StartMon, EC\_StopMon, EC\_SaveMon, EC\_CopyMon, EC\_DisconnectSlave, EC\_ConnectSlave, EC\_ChangeEnableSetting, EC\_GetMasterStatistics, EC\_ClearMasterStatistics, EC\_GetSlaveStatistics, EC\_ClearSlaveStatistics, IOL\_ReadObj, and IOL\_WriteObj.
- An error will occur in the following cases. *Error* will change to TRUE, and an error code is assigned to *ErrorID*.
  - a) The diagnosis/statistics log of the CPU Unit is in execution.
  - b) Another instance of the Clear EtherCAT Slave Diagnostic and Statistical Information instruction is in execution or the Read EtherCAT Slave Diagnostic and Statistical Information instruction is in execution.
  - c) More than 32 of the following instructions were executed at the same time: EC\_CoESDOWrite, EC\_CoESDORead, EC\_StartMon, EC\_StopMon, EC\_SaveMon, EC\_CopyMon, EC\_DisconnectSlave, EC\_ConnectSlave, EC\_ChangeEnableSetting, EC\_GetMasterStatistics, EC\_ClearMasterStatistics, EC\_GetSlaveStatistics, EC\_ClearSlaveStatistics, IOL\_ReadObj, and IOL\_WriteObj.
  - d) An EtherCAT Frame Not Received event is in occurrence and the error location is being identified.

# NX\_WriteObj

The NX\_WriteObj instruction writes data to an NX object in an EtherCAT Coupler Unit or NX Unit.

Instruction	Name	FB/ FUN	Graphic expression	ST expression
NX_WriteObj	Write NX Unit Object	FB		NX_WriteObj_instance(Execute, UnitProxy, Obj, TimeOut, WriteDat, Done, Busy, Error, ErrorID, ErrorIDEx);



## Version Information

A CPU Unit with unit version 1.05 or later and Sysmac Studio version 1.06 or higher are required to use this instruction.

## Variables

	Meaning	I/O	Description	Valid range	Unit	Default
UnitProxy	Specified Unit	Input	Unit to which to write data	---	---	*1
Obj	Object parameter		Object parameter	---	---	---
TimeOut	Timeout time		Timeout time If 0 is set, the timeout time is 2.0 s.	0 to 60,000	ms	2000 (2.0 s)
WriteDat	Write data		Data to write to NX object	Depends on data type.	---	*1

\*1. If you omit the input parameter, the default value is not applied. A building error will occur.

	Boo lean	Bit strings					Integers							Real num bers		Times, durations, dates, and text strings					
	BOOL	BYTE	WORD	DWORD	LWORD	USINT	UINT	UDINT	ULINT	SINT	INT	DINT	LINT	REAL	LREAL	TIME	DATE	TOD	DT	STRING	
UnitProxy																					
Obj																					
TimeOut							OK														
WriteDat	OK	OK	OK	OK	OK	OK	OK	OK	OK	OK	OK	OK	OK	OK	OK	OK	OK	OK	OK	OK	OK
	An array can also be specified.																				

## Function

The NX\_WriteObj instruction writes the contents of *WriteDat* to an NX object in an EtherCAT Coupler Unit, an NX Unit on the EtherCAT Coupler Unit, or an NX Unit connected to the NX bus of the CPU Unit.

The Unit for which to write the data is specified with *UnitProxy*.

*TimeOut* specifies the timeout time.

If a response does not return within the timeout time, it is assumed that communications failed. In that case, the data is not written.

The data type of *UnitProxy* is structure `_sNXUNIT_ID`. The meanings of the members are as follows:

Name	Meaning	Content	Data type
UnitProxy	Specified Unit	Specified Unit	<code>_sNXUNIT_ID</code>
NodeAdr	Node address	Node address of the Communications Coupler Unit	UINT
IPAdr	IP address	IP address of the Communications Coupler Unit	BYTE[5]
UnitNo	Unit number	Unit number of specified Unit	UDINT
Path	Path	Path information to the specified Unit	BYTE[64]
PathLength	Valid <i>Path</i> length	Valid <i>Path</i> length	USINT

To *UnitProxy*, pass the device variable that is assigned to the specified Unit.

The data type of *Obj* is structure `_sNXOBJ_ACCESS`. The meanings of the members are as follows:

Name	Meaning	Description	Data type	Valid range	Unit	Default
Obj	Object parameter	Object parameter	<code>_sNXOBJ_ACCESS</code>	---	---	---
Index	Index	Index	UINT	Depends on data type.	---	0
Subindex	Subindex	Subindex	USINT			
IsCompleteAccess *1	Complete access	Complete access	BOOL	FALSE only	---	FALSE

\*1. This member is not used for this instruction. Always set the value to FALSE.

## Related Instructions and Execution Procedure

Depending on the attributes of the data that you write to an EtherCAT Coupler Unit, an NX Unit on the EtherCAT Coupler Unit, or an NX Unit connected to the NX bus of the CPU Unit, you must execute this instruction along with other instructions.

### ● Execution Procedure 1

Use the following procedure to write data with the following attributes.

- Power OFF Retain attribute
- The values are updated when the Unit is restarted.

- 1** Use the instruction, *NX\_ChangeWriteMode* on page 2-942, to change the Unit to a mode that allows writing data.
- 2** Use the *NX\_WriteObj* instruction to write data to the Unit.
- 3** Use the instruction, *NX\_SaveParam* on page 2-948, to save the data that you wrote.
- 4** Use the instruction, *RestartNXUnit* on page 2-936, to restart the Unit.

● **Execution Procedure 2**

Use the following procedure to write data with the following attributes.

- Power OFF Retain attribute
- The values are updated as soon as they are written.

- 1** Use the NX\_WriteObj instruction to write data to the Unit.
- 2** Use the instruction, *NX\_SaveParam* on page 2-948, to save the data that you wrote.

● **Execution Procedure 3**

Use the following procedure to write data with the following attributes.

- No Power OFF Retain attribute

- 1** Use the NX\_WriteObj instruction to write data to the Unit.

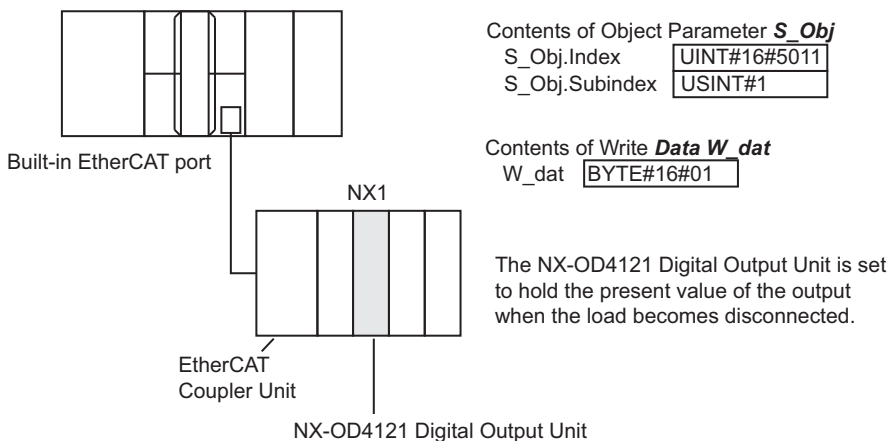
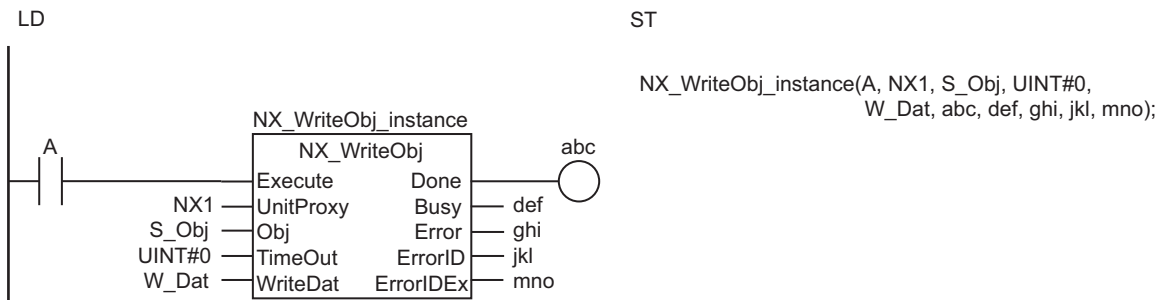
**Notation Example**

The following notation example shows how to set the NX-OD4121 Digital Output Unit to hold the present value of the output when the load becomes disconnected.

A variable that is named *NX1* with a data type of *\_sNXUNIT\_ID* is assigned to the Unit to which to write the data.

For the NX-OD4121, the index of the Load OFF Output Setting parameter is *UINT#16#5011* and the subindex is *USINT#1*.

To hold the present value, *BYTE#16#01* is written to the Load Rejection Output Setting parameter.



## Related System-defined Variables

Name	Meaning	Data type	Description
_EC_MBXSlaVtbl[i] "i" is the node address.	Message Communications Enabled Slave Table	BOOL	This variable indicates whether communications are possible for each slave. TRUE: Communications are possible. FALSE: Communications are not possible.
_NXB_UnitMsgActiveTbl[i]	NX Unit Message Enabled Status	BOOL	This table indicates the slaves that can perform message communications. Use this variable to confirm that communications with the relevant slave are possible.

## Precautions for Correct Use

- Execution of this instruction is continued until completed even if the value of *Execute* changes to FALSE or the execution time exceeds the task period. The value of *Done* changes to TRUE when processing is completed. Use this to confirm normal completion of the execution.
- Refer to *Using this Section* on page 2-3 for a timing chart for *Execute*, *Done*, *Busy*, and *Error*.
- If *WriteDat* is an array, make sure that the overall size of the array is the same as the size of the NX object to write in the specified Unit.
- For *UnitProxy*, specify the device variable that is assigned to an EtherCAT Coupler Unit, an NX Unit on the EtherCAT Coupler Unit, or an NX Unit connected to the NX bus of the CPU Unit in the I/O Map of the Sysmac Studio.  
Refer to the *Sysmac Studio Version 1 Operation Manual (Cat. No. W504)* for details on assigning device variables.
- Always use a variable for the parameter to pass to *WriteDat*. A building error will occur if a constant is passed.
- To write and save data with a Power OFF Retain attribute, execute the instruction, *NX\_SaveParam* on page 2-948, after you execute the *NX\_WriteObj* instruction. If you restart the Unit before you execute the *NX\_SaveParam* instruction, the previous NX object data is restored.
- This instruction is related to NX Message Communications Errors. If too many instructions that are related to NX Message Communications Errors are executed at the same time, an NX Message Communications Error will occur. Refer to *A-4 Instructions Related to NX Message Communications Errors* on page A-37 for a list of the instructions that are related to NX Message Communications Errors.
- *Error* changes to TRUE if an error occurs. The meanings of the values of *ErrorID* and *ErrorIDEx* are given in the following table.

Value of <i>ErrorID</i>	Value of <i>ErrorIDEx</i>	Meaning
16#0400	16#00000000	<ul style="list-style-type: none"> <li>• The value of <i>UnitProxy</i> is outside the valid range.</li> <li>• The value of <i>TimeOut</i> is outside the valid range.</li> </ul>
16#0419	16#00000000	<ul style="list-style-type: none"> <li>• The data type of <i>UnitProxy</i> is not correct.</li> <li>• The data type of <i>WriteDat</i> is not correct.</li> </ul>
16#041B	16#00000000	More than 2,048 bytes of data was specified for <i>WriteDat</i> .
16#2C00	16#00000401	The specified Unit does not support the instruction.



Value of <i>ErrorID</i>	Value of <i>ErrorIDEx</i>	Meaning
16#00001001 16#00001002 16#00170000 16#00200000 16#00210000		An input parameter, output parameter, or in-out parameter is incorrect. Confirm that the intended parameter is used for the input parameter, output parameter, or in-out parameter.
16#00001010		The data size of the specified NX object does not agree with the data size specified in <i>WriteDat</i> .
16#00001101		The correct Unit was not specified. Check the Unit.
16#0000110B		The size of the read data is too large. Make sure that the read data specification is correct.
16#00001110		There is no object that corresponds to the value of <i>Obj.Index</i> .
16#00001111		There is no object that corresponds to the value of <i>Obj.Subindex</i> .
16#00002101		The specified NX object cannot be written.
16#00002110		The value of <i>WriteDat</i> exceeds the range of values for the NX object to write.
16#00002210		The specified Unit is not in a mode that allows writing data.
16#00002213		Instruction execution was not possible because the specified Unit was performing an I/O check. Execute the instruction after the I/O check is completed.
16#00002230		The status of the specified Unit does not agree with the value of the read source or write destination NX object. Take the following actions if the value of <i>Obj.Index</i> is between 0x6000 and 0x6FFF or between 0x7000 and 0x7FFF. <ul style="list-style-type: none"> <li>• Delete the read source or write designation NX object from the I/O allocation settings.</li> <li>• Reset the error for the specified Unit.</li> <li>• Place the specified Unit in a mode that does not allow writing data.</li> </ul>
16#00002231		Instruction execution was not possible because the specified Unit was performing initialization. Wait for the Unit to start normal operation and then execute the instruction.
16#0000250F		Hardware access failed. Execute the instruction again.
16#00002601 16#00002602 16#00100000		The specified Unit does not support this instruction. Check the version of the Unit.
16#00002603		Execution of the instruction failed. Execute the instruction again. Make sure that at least one channel is <b>Enabled</b> in the selection of the channels to use.
16#00002621		The NX Unit is not in a status in which it can acknowledge the instruction. Wait for a while and then execute the instruction again.
16#00010000		The specified Unit does not exist. Make sure that the Unit configuration is correct.
16#00110000		The specified port number does not exist. Make sure that the Unit configuration is correct.

Value of <i>ErrorID</i>	Value of <i>ErrorIDEx</i>	Meaning
	16#00120000 16#00130000 16#00150000 16#00160000	The value of <i>UnitProxy</i> is not correct. Set the variable that indicates the specified EtherCAT Coupler Unit again.
	16#00140000	The specified node address is not correct. Make sure that the Unit configuration is correct.
	16#00300000 16#80010000	The specified Unit is busy. Execute the instruction again.
	16#00310000	The specified Unit not supported for connection. Check the version of the Unit.
	16#80000000 16#80050000 16#81010000 16#81020000 16#82020000 16#82030000 16#82060000 to 16#8FFF0000 16#90010000 to 16#FFFE0000	An error occurred in the communications network. Execute the instruction again.
	16#80020000 16#80030000 16#81030000 16#82000000	An error occurred in the communications network. Reduce the amount of communications traffic.
	16#80040000 16#81000000 16#82010000 16#82040000 16#82050000 16#90000000	An error occurred in the communications network. Check the Unit and cable connections. Make sure that the power supply to the Unit is ON.
16#2C01	16#00000000	The number of instructions that can be simultaneously executed was exceeded.
16#2C02	16#00000000	A timeout occurred during communications.
16#2C03	16#00000000	The size of the send message is not correct.

## Sample Programming

This section provides the following two examples for explanation.

- Writing data with the Power Off Retain attribute to an NX Unit, which is reflected in the Unit settings at a restart of the NX Unit.
- Writing data with the Power Off Retain attribute to an NX Unit, which is immediately reflected in the Unit settings.

### Example of Writing Data That Is Updated at Restart of the Unit

The following programming sets the **Ch1 Input Moving Average Time** object parameter for an NX-AD2203 AC Input Unit connected to an EtherCAT Coupler Unit to 500  $\mu$ s.

The node address of the EtherCAT Coupler Unit is 10.

The specifications of the **Ch1 Input Moving Average Time** object parameter are as follows:

Item	Value
Index	16#5004
Subindex	16#01
Setting for 500 $\mu$ s	2

The **Ch1 Input Moving Average Time** object parameter has a Power OFF Retain attribute, and it is updated when the Unit is restarted. Therefore, the following procedure is used.

- 1** Use the NX\_ChangeWriteMode instruction to change the Unit to a mode that allows writing data.
- 2** Use the NX\_WriteObj instruction to write data to the Unit.
- 3** Use the NX\_SaveParam instruction to save the data that you wrote.
- 4** Use the RestartNXUnit instruction to restart the Unit.

## ● LD

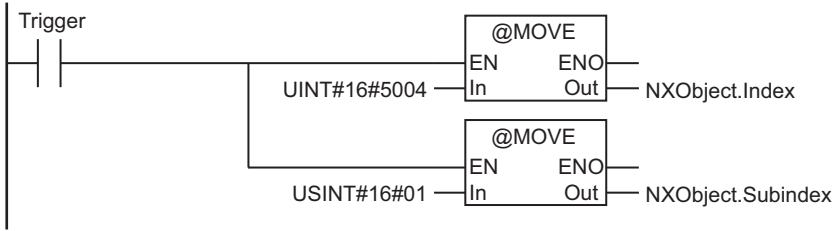
Internal Variables	Variable	Data type	Initial value	Comment
	Trigger	BOOL	FALSE	Execution condition
	ChangeCondition	BOOL	FALSE	Execution condition to change write mode
	WriteCondition	BOOL	FALSE	Execution condition to write data
	SaveCondition	BOOL	FALSE	Execution condition to save data
	RestartCondition	BOOL	FALSE	Execution condition to restart Unit
	NXUnitProxy	_sNXUNIT_ID		Unit designation for DC Input Unit
	NXUnitProxy_Coupler	_sNXUNIT_ID		Unit designation for EtherCAT Coupler Unit
	NXObject	_sNXOBJ_ACCESS	(Index:=0, Subindex:=0, IsCompleteAccess:=FALSE)	Object parameter
	VarWriteData	UINT	0	Write data
	NX_ChangeWriteMode_instance	NX_ChangeWriteMode		
	NX_WriteObj_instance	NX_WriteObj		
	NX_SaveParam_instance	NX_SaveParam		
	RestartNXUnit_instance	RestartNXUnit		

External Variables	Variable	Constant	Data type	Comment
	_EC_MBXSlaveTable	<input checked="" type="checkbox"/>	ARRAY[1..512] OF BOOL*1	Message Communications Enabled Slave Table

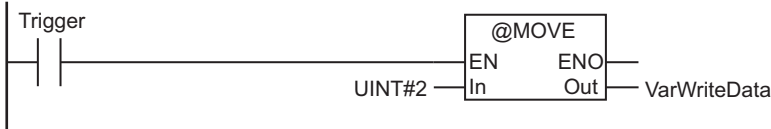
\*1. For the NX502 CPU Unit, the data type is *ARRAY [1..256] OF BOOL*.

For the NX102 CPU Unit, NX1P2 CPU Unit, and NJ-series CPU Unit, the data type is *ARRAY [1..192] OF BOOL*.

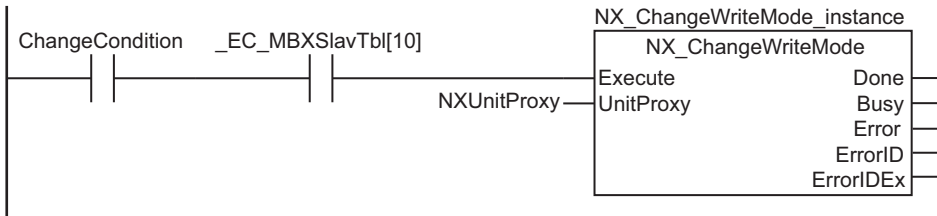
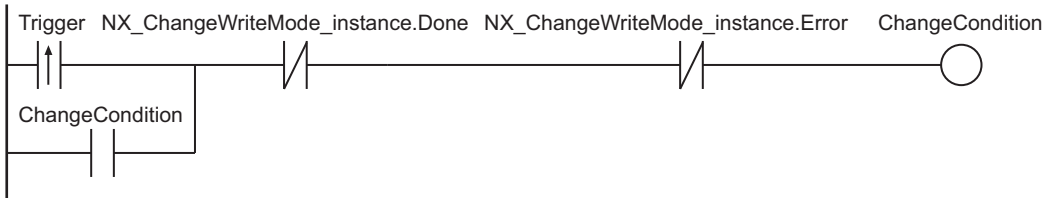
Prepare object parameter.



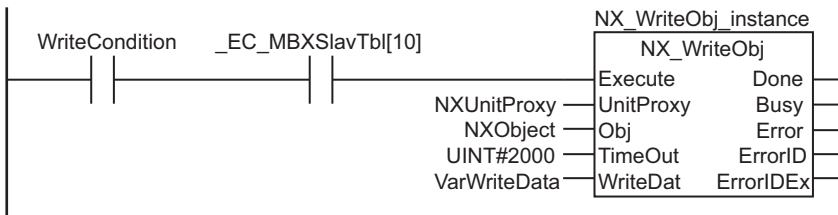
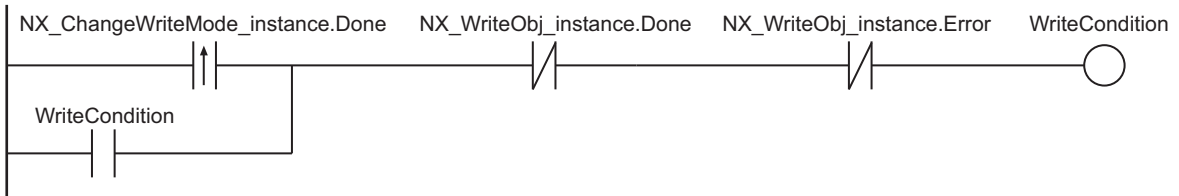
Prepare write data.



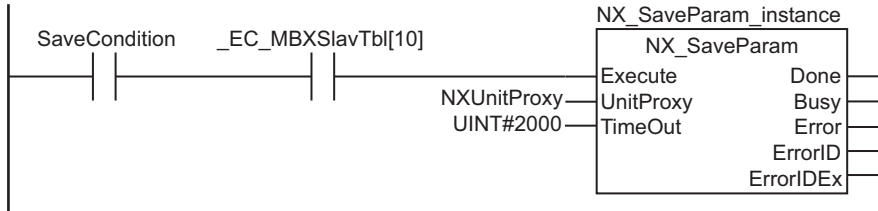
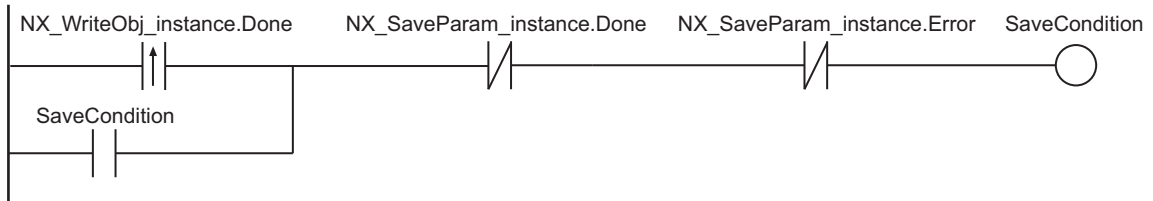
Execute NX\_ChangeWriteMode instruction.



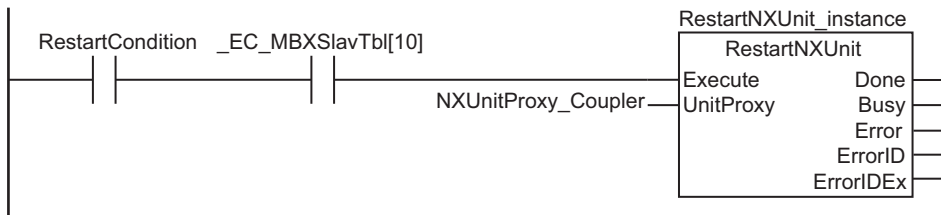
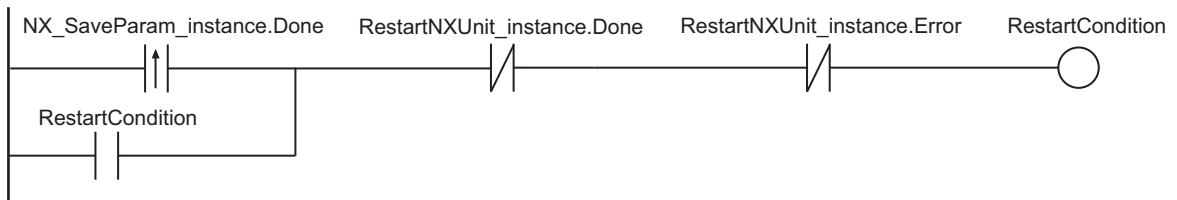
Execute NX\_WriteObj instruction.



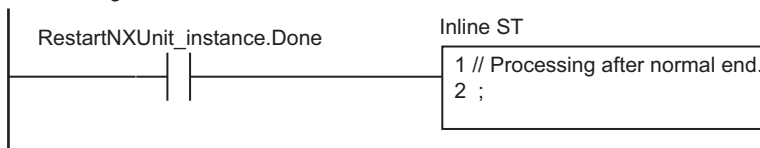
Execute NX\_SaveParam instruction.



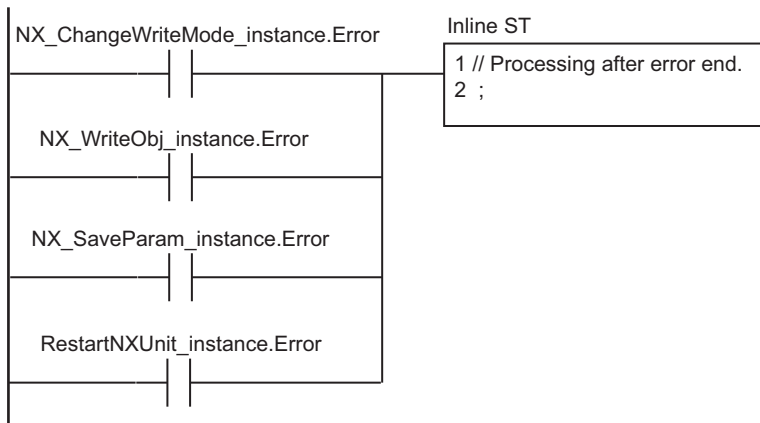
Execute RestartNXUnit instruction.



Processing after normal end.



Processing after error end.



## ● ST

Internal Variables	Variable	Data type	Initial value	Comment
	Trigger	BOOL	FALSE	Execution condition
	ChangeCondition	BOOL	FALSE	Execution condition to change write mode
	ChangeGo	BOOL	FALSE	Execution of change to write mode
	WriteCondition	BOOL	FALSE	Execution condition to write data
	WriteGo	BOOL	FALSE	Execution of data write
	SaveCondition	BOOL	FALSE	Execution condition to save data
	SaveGo	BOOL	FALSE	Execution of data save
	RestartCondition	BOOL	FALSE	Execution condition to restart Unit
	RestartGo	BOOL	FALSE	Execution of Unit restart
	NXUnitProxy	_sNXUNIT_ID		Unit designation for DC Input Unit
	NXUnitProxy_Coupler	_sNXUNIT_ID		Unit designation for EtherCAT Coupler Unit
	NXObject	_sNXOBJ_ACCESS	(Index:=0, Subindex:=0, IsCompleteAccess:=FALSE)	Object parameter
	VarWriteData	UINT	0	Write data
	NormalEnd	UINT	0	Normal end
	ErrorEnd	UINT	0	Error end
	NX_ChangeWriteMode_instance	NX_ChangeWriteMode		
	NX_WriteObj_instance	NX_WriteObj		
	NX_SaveParam_instance	NX_SaveParam		
	RestartNXUnit_instance	RestartNXUnit		
	R_Trig_instance	R_TRIG		

External Variables	Variable	Constant	Data type	Comment
	_EC_MBXSlavTbl	<input checked="" type="checkbox"/>	ARRAY[1..512] OF BOOL <sup>*1</sup>	Message Communications Enabled Slave Table

\*1. For the NX502 CPU Unit, the data type is *ARRAY [1..256] OF BOOL*.  
 For the NX102 CPU Unit, NX1P2 CPU Unit, and NJ-series CPU Unit, the data type is *ARRAY [1..192] OF BOOL*.

```
// Prepare object parameter and write data.
R_Trig_instance(Clk := Trigger);
IF (R_Trig_instance.Q=TRUE) THEN
  NXObject.Index := UINT#16#5004;
  NXObject.Subindex := USINT#1;
  VarWriteData := UINT#2;
END_IF;
```

```

// Execute NX_ChangeWriteMode instruction.
IF (Trigger = TRUE) THEN
    ChangeCondition := TRUE;
END_IF;

IF ((NX_ChangeWriteMode_instance.Done=TRUE) OR (NX_ChangeWriteMode_instance.Error=TRUE)) THEN
    ChangeCondition := FALSE;
END_IF;

ChangeGo := ChangeCondition & _EC_MBXSlavTbl[10];
NX_ChangeWriteMode_instance(
    Execute := ChangeGo,
    UnitProxy := NXUnitProxy);

// Execute NX_WriteObj instruction.
IF (NX_ChangeWriteMode_instance.Done=TRUE) THEN
    WriteCondition := TRUE;
END_IF;

IF ((NX_WriteObj_instance.Done=TRUE) OR (NX_WriteObj_instance.Error=TRUE)) THEN
    WriteCondition := FALSE;
END_IF;

WriteGo := WriteCondition & _EC_MBXSlavTbl[10];
NX_WriteObj_instance(
    Execute := WriteGo,
    UnitProxy := NXUnitProxy,
    Obj := NXObject,
    TimeOut := UINT#2000,
    WriteDat := VarWriteData);

// Execute NX_SaveParam instruction.
IF (NX_WriteObj_instance.Done=TRUE) THEN
    SaveCondition := TRUE;
END_IF;

IF ((NX_SaveParam_instance.Done=TRUE) OR (NX_SaveParam_instance.Error=TRUE)) THEN
    SaveCondition := FALSE;
END_IF;

SaveGo := SaveCondition & _EC_MBXSlavTbl[10];
NX_SaveParam_instance(
    Execute := SaveGo,
    UnitProxy := NXUnitProxy,
    TimeOut := UINT#2000);

```

```

// Execute RestartNXUnit instruction.
IF (NX_SaveParam_instance.Done=TRUE) THEN
  RestartCondition := TRUE;
END_IF;

IF ((RestartNXUnit_instance.Done=TRUE) OR (RestartNXUnit_instance.Error=TRUE)) THEN
  RestartCondition := FALSE;
END_IF;

RestartGo := RestartCondition & _EC_MBXSlavTbl[10];
RestartNXUnit_instance(
  Execute := SaveGo,
  UnitProxy := NXUnitProxy_Coupler);

IF (RestartNXUnit_instance.Done=TRUE) THEN
  // Processing after normal end.
  NormalEnd := NormalEnd + UINT#1;
ELSIF ((NX_ChangeWriteMode_instance.Error=TRUE) OR (NX_WriteObj_instance.Error=TRUE)
)
  OR (NX_SaveParam_instance.Error=TRUE) OR (RestartNXUnit_instance.Error=TRUE)) THE
N
  // Processing after error end.
  ErrorEnd := ErrorEnd + UINT#1;
END_IF;

```

### Example of Writing Data That Is Immediately Updated

The following programming sets the **Ch1 Offset Value (One-point Correction)** object parameter for an NX-TS2101 Temperature Input Unit connected to an EtherCAT Coupler Unit to 0.3°C. The node address of the EtherCAT Coupler Unit is 10.

The specifications of the **Ch1 Offset Value (One-point Correction)** object parameter are as follows:

Item	Value
Index	16#5010
Subindex	16#01
Value to write	0.3

The **Ch1 Offset Value (One-point Correction)** object parameter has a Power OFF Retain attribute, and it is updated after the data is written. Therefore, the following procedure is used.

- 1** Use the NX\_WriteObj instruction to write data to the Unit.
- 2** Use the NX\_SaveParam instruction to save the data that you wrote.



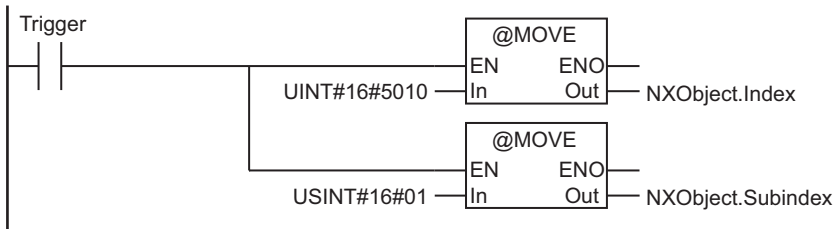
● LD

Internal Variables	Variable	Data type	Initial value	Comment
	Trigger	BOOL	FALSE	Execution condition
	WriteCondition	BOOL	FALSE	Execution condition to write data
	SaveCondition	BOOL	FALSE	Execution condition to save data
	NXUnitProxy	_sNXUNIT_ID		Unit designation for AC Input Unit
	NXUnitProxy_Coupler	_sNXUNIT_ID		Unit designation for EtherCAT Coupler Unit
	NXObject	_sNXOBJ_ACCESS	(Index:=0, Subindex:=0, IsCompleteAccess:=FALSE)	Object parameter
	VarWriteData	Real	0.0	Write data
	NX_WriteObj_instance	NX_WriteObj		
	NX_SaveParam_instance	NX_SaveParam		

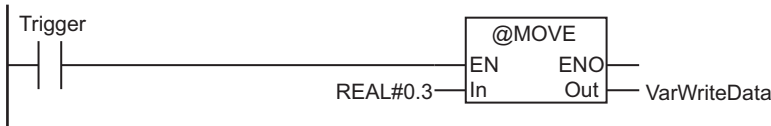
External Variables	Variable	Constant	Data type	Comment
	_EC_MBXSlaveTable	<input checked="" type="checkbox"/>	ARRAY[1..512] OF BOOL*1	Message Communications Enabled Slave Table

\*1. For the NX502 CPU Unit, the data type is *ARRAY [1..256] OF BOOL*.  
 For the NX102 CPU Unit, NX1P2 CPU Unit, and NJ-series CPU Unit, the data type is *ARRAY [1..192] OF BOOL*.

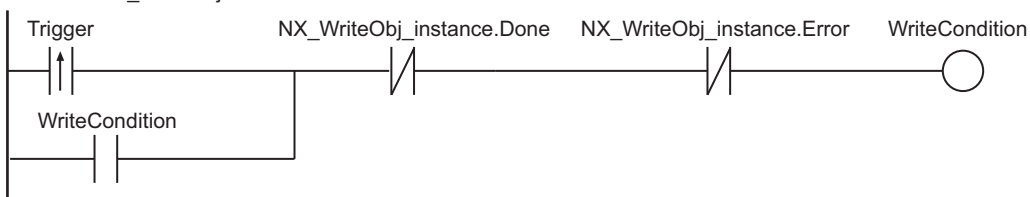
Prepare object parameter.

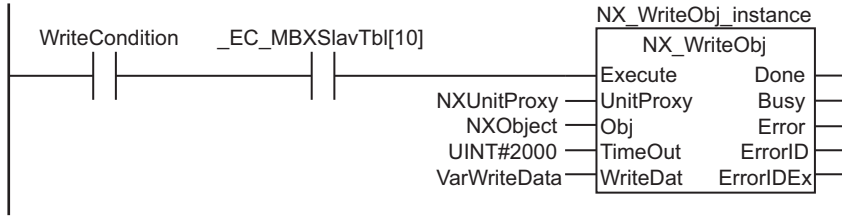


Prepare write data.

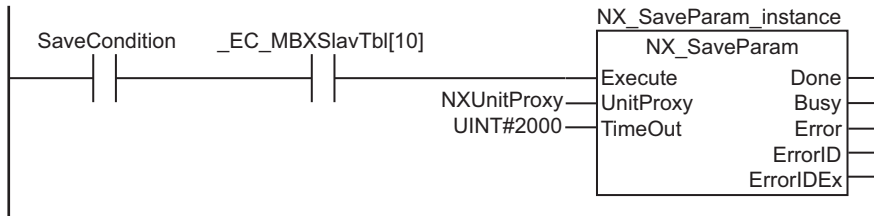
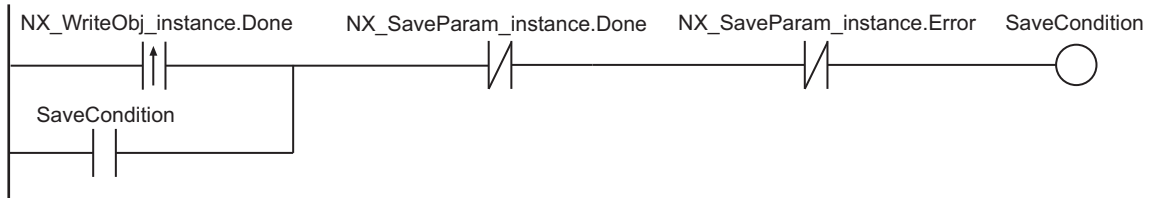


Execute NX\_WriteObj instruction.

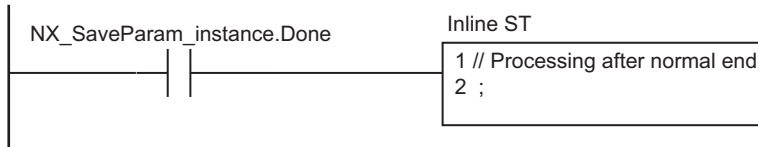




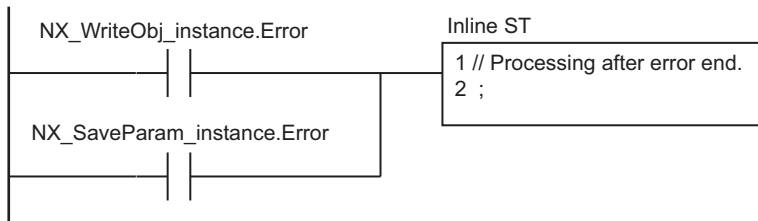
Execute NX\_SaveParam instruction.



Processing after normal end.



Processing after error end.



● ST

Internal Variables	Variable	Data type	Initial value	Comment
	Trigger	BOOL	FALSE	Execution condition
	WriteCondition	BOOL	FALSE	Execution condition to write data
	WriteGo	BOOL	FALSE	Execution of data write
	SaveCondition	BOOL	FALSE	Execution condition to save data
	SaveGo	BOOL	FALSE	Execution of data save
	NXUnitProxy	_sNXUNIT_ID		Unit designation for Temperature Input Unit

Internal Variables	Variable	Data type	Initial value	Comment
	NXUnitProxy_Coupler	_sNXUNIT_ID		Unit designation for EtherCAT Coupler Unit
	NXObject	_sNXOBJ_ACCESS	(Index:=0, Subindex:=0, IsCompleteAccess:=FALSE)	Object parameter
	VarWriteData	REAL	0.0	Write data
	NormalEnd	UINT	0	Normal end
	ErrorEnd	UINT	0	Error end
	NX_WriteObj_instance	NX_WriteObj		
	NX_SaveParam_instance	NX_SaveParam		
	R_Trig_Instance	R_TRIG		

External Variables	Variable	Constant	Data type	Comment
	_EC_MBXSlavTbl	<input checked="" type="checkbox"/>	ARRAY[1..512] OF BOOL* <sup>1</sup>	Message Communications Enabled Slave Table

- \*1. For the NX502 CPU Unit, the data type is *ARRAY [1..256] OF BOOL*.  
For the NX102 CPU Unit, NX1P2 CPU Unit, and NJ-series CPU Unit, the data type is *ARRAY [1..192] OF BOOL*.

```
// Prepare object parameter and write data.
R_Trig_instance(Clk := Trigger);
IF (R_Trig_instance.Q=TRUE) THEN
  NXObject.Index := UINT#16#5004;
  NXObject.Subindex := USINT#1;
  VarWriteData := UINT#2;
END_IF;

// Execute NX_WriteObj instruction.
IF (Trigger=TRUE) THEN
  WriteCondition := TRUE;
END_IF;

IF ((NX_WriteObj_instance.Done=TRUE) OR (NX_WriteObj_instance.Error=TRUE)) THEN
  WriteCondition := FALSE;
END_IF;

WriteGo := WriteCondition & _EC_MBXSlavTbl[10];
NX_WriteObj_instance(
  Execute := WriteGo,
  UnitProxy := NXUnitProxy,
  Obj := NXObject,
  TimeOut := UINT#2000,
```

```
WriteDat := VarWriteData);

// Execute NX_SaveParam instruction.
IF (NX_WriteObj_instance.Done=TRUE) THEN
  SaveCondition := TRUE;
END_IF;

IF ((NX_SaveParam_instance.Done=TRUE) OR (NX_SaveParam_instance.Error=TRUE)) THEN
  SaveCondition := FALSE;
END_IF;

SaveGo := SaveCondition & _EC_MBXSlavTbl[10];
NX_SaveParam_instance(
  Execute := SaveGo,
  UnitProxy := NXUnitProxy,
  TimeOut := UINT#2000);

IF (NX_SaveParam_instance.Done=TRUE) THEN
  // Processing after normal end.
  NormalEnd := NormalEnd + UINT#1;
ELSIF ((NX_WriteObj_instance.Error=TRUE) OR (NX_SaveParam_instance.Error=TRUE)) THEN
  // Processing after error end.
  ErrorEnd := ErrorEnd + UINT#1;
END_IF;
```

# NX\_ReadObj

The NX\_ReadObj instruction reads data from an NX object in an EtherCAT Coupler Unit or NX Unit.

Instruction	Name	FB/ FUN	Graphic expression	ST expression
NX_ReadObj	Read NX Unit Object	FB		NX_ReadObj_instance(Execute, UnitProxy, Obj, TimeOut, ReadDat, Done, Busy, Error, ErrorID, ErrorIDEx);



## Version Information

A CPU Unit with unit version 1.05 or later and Sysmac Studio version 1.06 or higher are required to use this instruction.

## Variables

	Meaning	I/O	Description	Valid range	Unit	Default
UnitProxy	Specified Unit	Input	Unit from which to read data	---	---	*1
Obj	Object parameter		Object parameter	---	---	---
TimeOut	Timeout time		Timeout time If 0 is set, the timeout time is 2.0 s.	0 to 60,000	ms	2000 (2.0 s)
ReadDat	Read data	In-out	Data read from NX object	Depends on data type.	---	---

\*1. If you omit the input parameter, the default value is not applied. A building error will occur.

	Boo lean	Bit strings					Integers							Real num bers		Times, durations, dates, and text strings					
	BOOL	BYTE	WORD	DWORD	LWORD	USINT	UINT	UDINT	ULINT	SINT	INT	DINT	LINT	REAL	LREAL	TIME	DATE	TOD	DT	STRING	
UnitProxy																					
Obj																					
TimeOut							OK														
ReadDat	OK	OK	OK	OK	OK	OK	OK	OK	OK	OK	OK	OK	OK	OK	OK	OK	OK	OK	OK	OK	OK
	An array can also be specified.																				

## Function

The `NX_ReadObj` instruction reads data from an NX object in an EtherCAT Coupler Unit, an NX Unit on the EtherCAT Coupler Unit, or an NX Unit connected to the NX bus of the CPU Unit, and stores the data in `ReadDat`.

The Unit from which the data is read is specified with `UnitProxy`.

`TimeOut` specifies the timeout time. If a response does not return within the timeout time, it is assumed that communications failed. In this case, the data is not read.

The data type of `UnitProxy` is structure `_sNXUNIT_ID`. The meanings of the members are as follows:

Name	Meaning	Content	Data type
UnitProxy	Specified Unit	Specified Unit	_sNXUNIT_ID
NodeAdr	Node address	Node address of the Communications Coupler Unit	UINT
IPAdr	IP address	IP address of the Communications Coupler Unit	BYTE[5]
UnitNo	Unit number	Unit number of specified Unit	UDINT
Path	Path	Path information to the specified Unit	BYTE[64]
PathLength	Valid <i>Path</i> length	Valid <i>Path</i> length	USINT

To `UnitProxy`, pass the device variable that is assigned to the specified Unit.

The data type of `Obj` is structure `_sNXOBJ_ACCESS`. The meanings of the members are as follows:

Name	Meaning	Content	Data type	Valid range	Unit	Default
Obj	Object parameter	Object parameter	_sNXOBJ_ACCESS	---	---	---
Index	Index	Index	UINT	Depends on data type.	---	0
Subindex	Subindex	Subindex	USINT			
IsCompleteAccess <sup>*1</sup>	Complete access	Complete access	BOOL	FALSE only	---	FALSE

\*1. This member is not used for this instruction. Always set the value to FALSE.

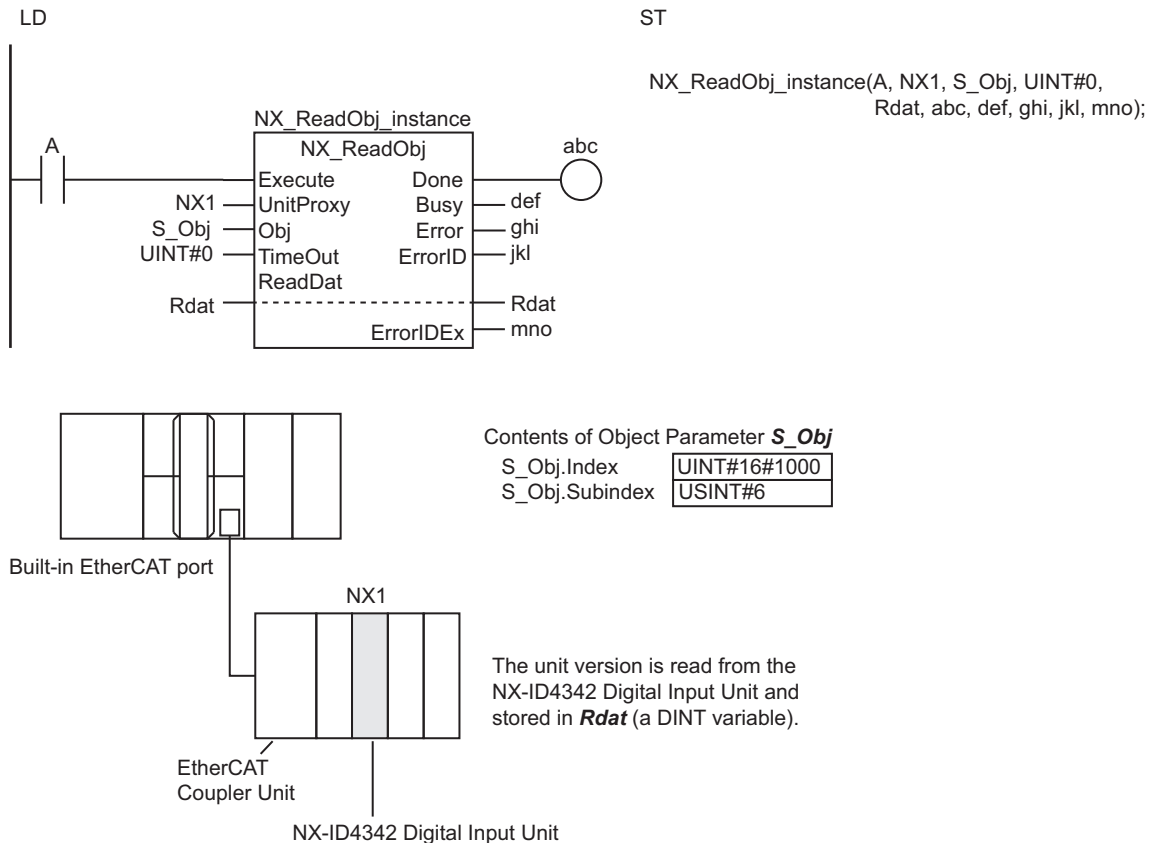
## Notation Example

The following notation example shows how to read the unit version from an NX-ID4342 Digital Input Unit.

The read data is stored in `Rdat`, which is a UDINT variable.

A variable that is named `NX1` with a data type of `_sNXUNIT_ID` is assigned to the Unit from which to read the data.

For the NX-ID4342, the index of the Unit version is `UINT#16#1000` and the subindex is `USINT#6`.



## Related System-defined Variables

Name	Meaning	Data type	Description
_EC_MBXSlavTbl[i] "i" is the node address.	Message Communications Enabled Slave Table	BOOL	This variable indicates whether communications are possible for each slave. TRUE: Communications are possible. FALSE: Communications are not possible.
_NXB_UnitMsgActiveTbl[i]	NX Unit Message Enabled Status	BOOL	This table indicates the slaves that can perform message communications. Use this variable to confirm that communications with the relevant slave are possible.

## Precautions for Correct Use

- Execution of this instruction is continued until completed even if the value of *Execute* changes to FALSE or the execution time exceeds the task period. The value of *Done* changes to TRUE when processing is completed. Use this to confirm normal completion of the execution.
- Refer to *Using this Section* on page 2-3 for a timing chart for *Execute*, *Done*, *Busy*, and *Error*.
- If *ReadDat* is an array, make sure that the overall size of the array is the same as the size of the NX object to read in the specified Unit.
- For *UnitProxy*, specify the device variable that is assigned to an EtherCAT Coupler Unit, an NX Unit on the EtherCAT Coupler Unit, or an NX Unit connected to the NX bus of the CPU Unit in the I/O Map of the Sysmac Studio.  
Refer to the *Sysmac Studio Version 1 Operation Manual (Cat. No. W504)* for details on assigning device variables.

- This instruction is related to NX Message Communications Errors. If too many instructions that are related to NX Message Communications Errors are executed at the same time, an NX Message Communications Error will occur. Refer to *A-4 Instructions Related to NX Message Communications Errors* on page A-37 for a list of the instructions that are related to NX Message Communications Errors.
- *Error* will change to TRUE if an error occurs. The meanings of the values of *ErrorID* and *ErrorIDEx* are given in the following table.

Value of <i>ErrorID</i>	Value of <i>ErrorIDEx</i>	Meaning
16#0400	16#00000000	<ul style="list-style-type: none"> <li>• The value of <i>UnitProxy</i> is outside the valid range.</li> <li>• The value of <i>TimeOut</i> is outside the valid range.</li> </ul>
16#0410	16#00000000	<i>ReadDat</i> is STRING data and it does not end with a NULL character.
16#0419	16#00000000	<ul style="list-style-type: none"> <li>• The data type of <i>UnitProxy</i> is not correct.</li> <li>• The data type of <i>ReadDat</i> is not correct.</li> </ul>
16#041C	16#00000000	The size of <i>ReadDat</i> is not the same as the size of the NX object to read.
16#2C00	16#00000401	The specified Unit does not support the instruction.
	16#00001001 16#00001002 16#00170000 16#00200000 16#00210000	An input parameter, output parameter, or in-out parameter is incorrect. Confirm that the intended parameter is used for the input parameter, output parameter, or in-out parameter.
	16#00001010	The data size of the specified NX object does not agree with the data size specified in <i>WriteDat</i> .
	16#00001101	The correct Unit was not specified. Check the Unit.
	16#0000110B	The size of the read data is too large. Make sure that the read data specification is correct.
	16#00001110	There is no object that corresponds to the value of <i>Obj.Index</i> .
	16#00001111	There is no object that corresponds to the value of <i>Obj.Subindex</i> .
	16#00002101	The specified NX object cannot be written.
	16#00002110	The value of <i>WriteDat</i> exceeds the range of values for the NX object to write.
	16#00002210	The specified Unit is not in a mode that allows writing data.
	16#00002213	Instruction execution was not possible because the specified Unit was performing an I/O check. Execute the instruction after the I/O check is completed.
	16#00002230	The status of the specified Unit does not agree with the value of the read source or write destination NX object. Take the following actions if the value of <i>Obj.Index</i> is between 0x6000 and 0x6FFF or between 0x7000 and 0x7FFF. <ul style="list-style-type: none"> <li>• Delete the read source or write designation NX object from the I/O allocation settings.</li> <li>• Reset the error for the specified Unit.</li> <li>• Place the specified Unit in a mode that does not allow writing data.</li> </ul>
	16#00002231	Instruction execution was not possible because the specified Unit was performing initialization. Wait for the Unit to start normal operation and then execute the instruction.
	16#0000250F	Hardware access failed. Execute the instruction again.



Value of <i>ErrorID</i>	Value of <i>ErrorIDEx</i>	Meaning
	16#00002601 16#00002602 16#00100000	The specified Unit does not support this instruction. Check the version of the Unit.
	16#00002603	Execution of the instruction failed. Execute the instruction again. Make sure that at least one channel is <b>Enabled</b> in the selection of the channels to use.
	16#00002621	The NX Unit is not in a status in which it can acknowledge the instruction. Wait for a while and then execute the instruction again.
	16#00010000	The specified Unit does not exist. Make sure that the Unit configuration is correct.
	16#00110000	The specified port number does not exist. Make sure that the Unit configuration is correct.
	16#00120000 16#00130000 16#00150000 16#00160000	The value of <i>UnitProxy</i> is not correct. Set the variable that indicates the specified EtherCAT Coupler Unit again.
	16#00140000	The specified node address is not correct. Make sure that the Unit configuration is correct.
	16#00300000 16#80010000	The specified Unit is busy. Execute the instruction again.
	16#00310000	The specified Unit is not supported for connection. Check the version of the Unit.
	16#80000000 16#80050000 16#81010000 16#81020000 16#82020000 16#82030000 16#82060000 to 16#8FFF0000 16#90010000 to 16#FFFE0000	An error occurred in the communications network. Execute the instruction again.
	16#80020000 16#80030000 16#81030000 16#82000000	An error occurred in the communications network. Reduce the amount of communications traffic.
	16#80040000 16#81000000 16#82010000 16#82040000 16#82050000 16#90000000	An error occurred in the communications network. Check the Unit and cable connections. Make sure that the power supply to the Unit is ON.
16#2C01	16#00000000	The number of instructions that can be simultaneously executed was exceeded.
16#2C02	16#00000000	A timeout occurred during communications.

## Sample Programming

In this example, the value of the *I/O Refresh Method 1* object parameter is read out from an NX-ECC201 EtherCAT Coupler Unit.

The node address of the EtherCAT Coupler Unit is 10.

The values of the index and subindex of the *I/O Refresh Method 1* object parameter are as follows:

Item	Value
Index	16#4002
Subindex	16#01

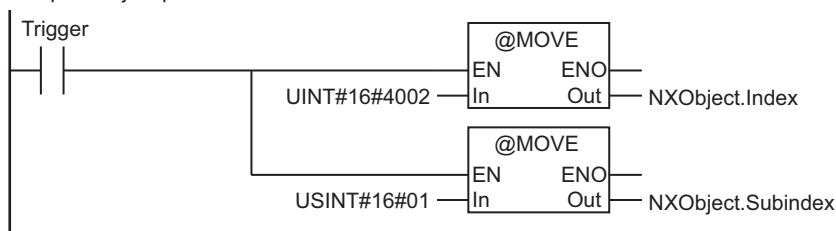
### LD

Internal Variables	Variable	Data type	Initial value	Comment
	Trigger	BOOL	FALSE	Execution condition
	ReadCondition	BOOL	FALSE	Execution condition to read data
	NXUnitProxy	_sNXUNIT_ID		Unit designation
	NXObject	_sNXOBJ_ACCESS	(Index:=0, Subindex:=0, IsCompleteAccess:=FALSE)	Object parameter
	IoRefreshMethod	USINT	0	Read data
	NX_ReadObj_instance	NX_ReadObj		

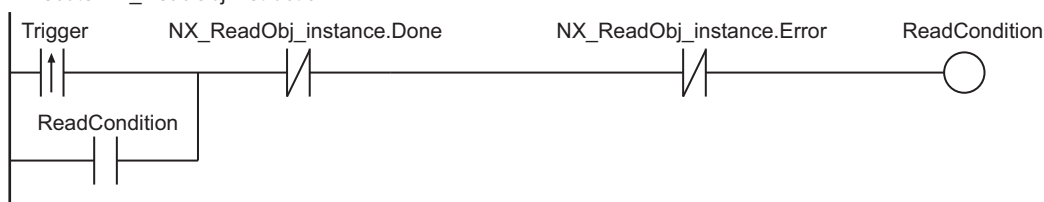
External Variables	Variable	Constant	Data type	Comment
	_EC_MBXSlavTbl	<input checked="" type="checkbox"/>	ARRAY[1..512] OF BOOL*1	Message Communications Enabled Slave Table

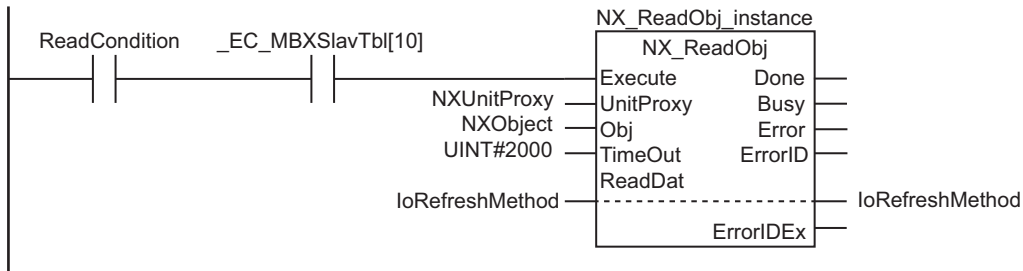
- \*1. For the NX502 CPU Unit, the data type is *ARRAY [1..256] OF BOOL*.  
For the NX102 CPU Unit, NX1P2 CPU Unit, and NJ-series CPU Unit, the data type is *ARRAY [1..192] OF BOOL*.

Prepare object parameter.

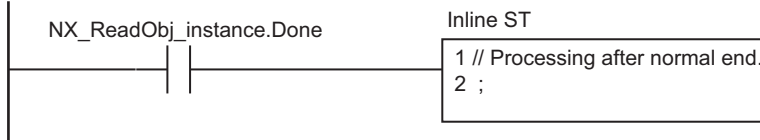


Execute NX\_ReadObj instruction.

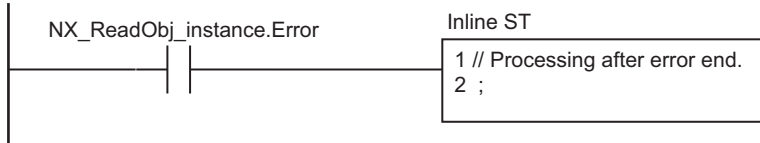




Processing after normal end.



Processing after error end.



## ST

Internal Variables	Variable	Data type	Initial value	Comment
	Trigger	BOOL	FALSE	Execution condition
	ReadCondition	BOOL	FALSE	Execution condition to read data
	ReadGo	BOOL	FALSE	Execution of data read
	NXUnitProxy	_sNXUNIT_ID		Unit designation
	NXObject	_sNXOBJ_ACCESS	(Index:=0, Sub-index:=0, Is-CompleteAccess:=FALSE)	Object parameter
	IoRefreshMethod	USINT	0	Read data
	NormalEnd	UINT	0	Normal end
	ErrorEnd	UINT	0	Error end
	R_Trig_instance	R_Trig		
	NX_ReadObj_instance	NX_ReadObj		

External Variables	Variable	Constant	Data type	Comment
	_EC_MBXSlavTbl	<input checked="" type="checkbox"/>	ARRAY[1..512] OF BOOL*1	Message Communications Enabled Slave Table

\*1. For the NX502 CPU Unit, the data type is *ARRAY [1..256] OF BOOL*.  
 For the NX102 CPU Unit, NX1P2 CPU Unit, and NJ-series CPU Unit, the data type is *ARRAY [1..192] OF BOOL*.

```
// Prepare object parameter.
R_Trig_instance(Clk := Trigger);
```

```
IF (R_Trig_instance.Q=TRUE) THEN
  NXObject.Index := UINT#16#4002;
  NXObject.Subindex := USINT#1;
END_IF;

// Execute NX_ReadObj instruction.
IF (Trigger=TRUE) THEN
  ReadCondition := TRUE;
END_IF;

IF ( (NX_ReadObj_instance.Done=TRUE) OR (NX_ReadObj_instance.Error=TRUE) ) THEN
  ReadCondition := FALSE;
END_IF;

ReadGo := ReadCondition & _EC_MBXSlavTbl[10];
NX_ReadObj_instance(
  Execute := ReadGo,
  UnitProxy := NXUnitProxy,
  Obj := NXObject,
  TimeOut := UINT#2000,
  ReadDat := IoRefreshMethod);

// Processing after instruction execution.
IF (NX_ReadObj_instance.Done=TRUE) THEN
  // Processing after normal end.
  NormalEnd := NormalEnd + UINT#1;
ELSIF (NX_ReadObj_instance.Error=TRUE) THEN
  // Processing after error end.
  ErrorEnd := ErrorEnd + UINT#1;
END_IF;
```

# IO-Link Communications Instruction

Instruction	Name	Page
IOL_ReadObj	Read IO-Link Device Object	page 2-1092
IOL_WriteObj	Write IO-Link Device Object	page 2-1101

# IOL\_ReadObj

The IOL\_ReadObj instruction reads data from IO-Link device objects.

Instruction	Name	FB/ FUN	Graphic expression	ST expression
IOL_ReadObj	Read IO-Link Device Object	FB		IOL_ReadObj_instance(Execute, DevicePort, DeviceObj, RetryCfg, ReadDat, Done, Busy, Error, ErrorID, ErrorType, ReadSize);



## Precautions for Correct Use

You cannot use this instruction with EtherNet/IP type IO-Link Master Units.



## Version Information

A CPU Unit with unit version 1.12 or later and Sysmac Studio version 1.16 or higher are required to use this instruction.

## Variables

	Meaning	I/O	Description	Valid range	Unit	Default
DevicePort	Device port	Input	Object that represents a device port	---	---	---
DeviceObj	IO-Link device object parameter		Specification for the IO-Link device object	---	---	---
RetryCfg	Execution retry setting		Setting for the instruction execution retry	---	---	---
ReadDat	Read data	In-out	Data read from IO-Link device	Depends on data type.	---	0
ErrorType	Error type	Output	Error code that is returned by IO-Link device is stored when <i>ErrorID</i> is 4800 hex.	16#0000 to 16#FFFF	---	---
ReadSize	Read data size		Size of data stored in <i>ReadDat</i>	10#1 to 10#232	Bytes	---

	Boo lean	Bit strings				Integers							Real numbers		Times, durations, dates, and text strings					
	BOOL	BYTE	WORD	DWORD	LWORD	USINT	UINT	UDINT	ULINT	SINT	INT	DINT	LINT	REAL	LREAL	TIME	DATE	TOD	DT	STRING
DevicePort		Refer to <i>Function</i> on page 2-1093 for details on the structure <i>_sDEVICE_PORT</i> .																		

	Boo lean	Bit strings					Integers							Real num bers		Times, durations, dates, and text strings					
	BOOL	BYTE	WORD	DWORD	LWORD	USINT	UINT	UDINT	ULINT	SINT	INT	DINT	LINT	REAL	LREAL	TIME	DATE	TOD	DT	STRING	
DeviceObj	Refer to <i>Function</i> on page 2-1093 for details on the structure <code>_sIOLOBJ_ACCESS</code> .																				
RetryCfg	Refer to <i>Function</i> on page 2-1093 for details on the structure <code>_sIOL_RETRY_CFG</code> .																				
ReadDat	OK	OK	OK	OK	OK	OK	OK	OK	OK	OK	OK	OK	OK	OK	OK	OK	OK	OK	OK	OK	
	An array can also be specified.																				
ErrorType			OK																		
ReadSize							OK														

## Function

The `IOL_ReadObj` instruction reads object data from IO-Link devices.

For the *DevicePort* input variable, set the IO-Link Master Unit and the port number to which the target IO-Link device for reading is connected.

The data type of the *DevicePort* input variable is structure `_sDEVICE_PORT`. The specifications are as follows:

Name	Meaning	Description	Data type	Valid range	Unit	De- fault
DevicePort	Device port	Object that represents a device port	<code>_sDEVICE_PORT</code>	---	---	---
DeviceType	Device type	Type of the device to specify	<code>_eDEVICE_TYPE</code>	<code>_DeviceNXUnit</code> <code>_DeviceEcatSlave</code> <code>_DeviceOption-Board</code>	---	---
NxUnit	Specified Unit	NX Unit to control	<code>_sNXUNIT_ID</code>	---	---	---
EcatSlave	Specified slave	EtherCAT slave to control	<code>_sECAT_ID</code>	---	---	---
OptBoard	Specified Option Board	Option Board to control	<code>_sOPTBOARD_ID</code>	---	---	---
Reserved	Reserved	Reserved	---	---	---	---
PortNo	Port number	Port number 1: Port 1 2: Port 2 3: Port 3 4: Port 4 5: Port 5 6: Port 6 7: Port 7 8: Port 8	USINT	Depends on data type.	---	---

Use *DeviceType* to specify the device type.

Specify `_DeviceNXUnit` for an NX type of IO-Link Master Unit. Specify `_DeviceEcatSlave` for an EtherCAT type of IO-Link Master Unit.

The variable used to specify the device is determined by the specified device type.

For this instruction, it is determined as follows:

To specify the NX type, use *NxUnit* to specify the device. In this case, *EcatSlave* is not used.

To *NxUnit*, pass the device variable that is assigned to the device to specify.

To specify the EtherCAT type, use *EcatSlave* to specify the device. In this case, *NxUnit* is not used.

To *EcatSlave*, pass the device variable that is assigned to the device to specify.

Use *PortNo* to set the port number to which the IO-Link device is connected.

The number of ports differs depending on the type of IO-Link Master Unit.

NX type: 1 to 4

EtherCAT type: 1 to 8

The data type of *DeviceType* is enumerated type `_eDEVICE_TYPE`.

The meanings of the enumerators of enumerated type `_eDEVICE_TYPE` are as follows:

Enumerator	Meaning
<code>_DeviceNXUnit</code>	NX Unit is specified.
<code>_DeviceEcatSlave</code>	EtherCAT slave is specified.

Use the *DeviceObj* input variable to specify the object parameter for the IO-Link device from which data is read.

The data type of the *DeviceObj* input variable is structure `_sIOLOBJ_ACCESS`. The specifications are as follows:

Name	Meaning	Description	Data type	Valid range	Unit	Default
DeviceObj	IO-Link device object parameter	Specification for the IO-Link device object	<code>_sIOLOBJ_ACCESS</code>	---	---	---
Index	Index	Index	UINT	Depends on data type.	---	---
Subindex	Subindex	Set 0 to read from the entire index.	USINT	Depends on data type.	---	---

Use the *RetryCfg* input variable to set retry processing for instruction execution.

The data type of *RetryCfg* is structure `_sIOL_RETRY_CFG`. The specifications are as follows:

Name	Meaning	Description	Data type	Valid range	Unit	Default
RetryCfg	Execution retry setting	Setting for the instruction execution retry	<code>_sIOL_RETRY_CFG</code>	---	---	---
TimeOut	Timeout time	Timeout time If 0 is set, the timeout time is 2.0 s.	TIME	0 to 300 s	---	T#2.0s
RetryNum	Number of retries	Number of retries at timeout If 0 is set, the number of retries is 3 times.	UINT	Depends on data type.	Times	3

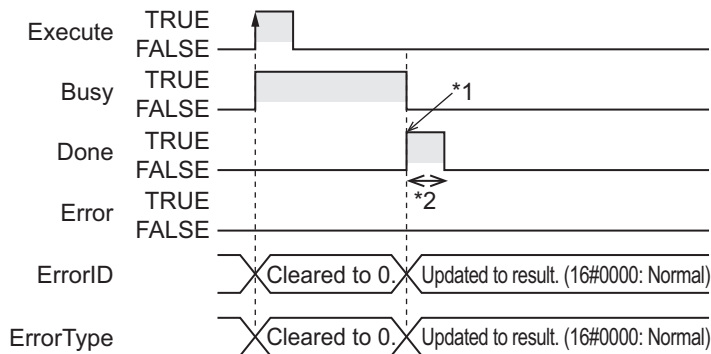
Data read from the IO-Link device is stored in the *ReadDat* in-out variable.



## Timing Charts

The following figures show the timing charts.

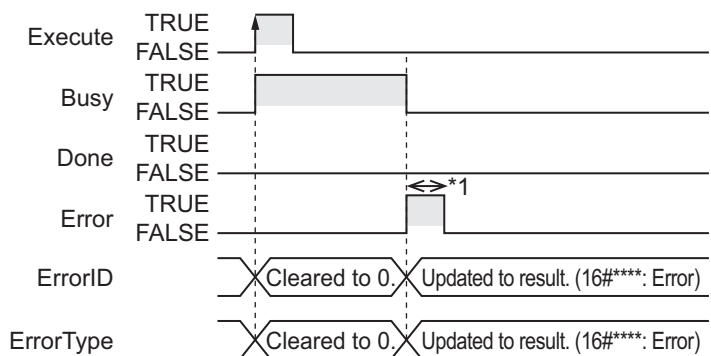
### ● Normal end



\*1. Reading completed.

\*2. Task period

### ● Error end



\*1. Task period

## Related System-defined Variables

Name	Meaning	Data type	Description
_EC_MBXSlavTbl	Message Communications Enabled Slave Table	ARRAY[1..512] OF BOOL <sup>*1</sup>	This table indicates the slaves that can perform message communications. Slaves are given in the table in the order of slave node addresses. TRUE: Communications are possible. FALSE: Communications are not possible.

\*1. For the NX502 CPU Unit, the data type is *ARRAY [1..256] OF BOOL*.

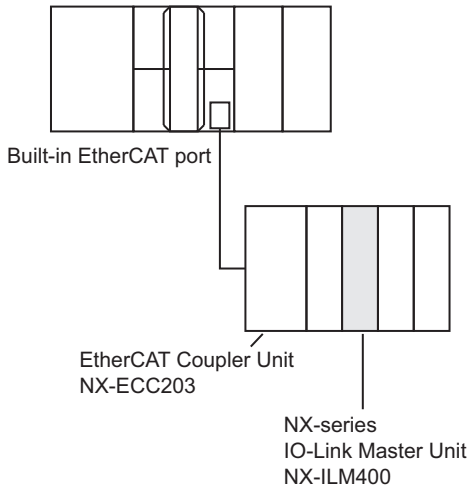
For the NX102 CPU Unit, NX1P2 CPU Unit, and NJ-series CPU Unit, the data type is *ARRAY [1..192] OF BOOL*.

## Precautions for Correct Use

- Execution of this instruction is continued until processing is completed even if the value of *Execute* changes to FALSE or the execution time exceeds the task period. The value of *Done* changes to TRUE when processing is completed. Use this to confirm normal completion of processing.
- For *DevicePort.NxUnit* and *DevicePort.EcatSlave*, specify the device variable that is assigned to the IO-Link Master Unit in the I/O Map of the Sysmac Studio. Refer to the *Sysmac Studio Version 1 Operation Manual (Cat. No. W504)* for details on assigning device variables.
- The size of the variable specified for *ReadDat* must be larger than the size of the object that is actually read.
- If *ReadDat* is STRING data, specify a variable whose size is the sum of the actually read string and a NULL character.
- If *ReadDat* is STRING data, the size that is output to *ReadSize* does not include the NULL character.
- Always use a variable for the parameter to pass to *ReadDat*. A building error will occur if a constant is passed.
- You can execute only one instruction at a time for the IO-Link Master Unit regardless of its type (NX or EtherCAT).
- You cannot use this instruction in an event task. A compiling error will occur.
- This instruction is executed when *Execute* changes to TRUE. The instruction is not executed when *Execute* is always TRUE.
- You can define a maximum of 64 instances for the IOL\_ReadObj and IOL\_WriteObj instructions.
- An error will occur in the following cases.
  - a) A value that is out of range was set for *DevicePort.NxUnit* or *DevicePort.EcatSlave*.
  - b) The size of the IO-Link device object to read is larger than the size of *ReadDat*. If this error occurs, the read data is not stored in *ReadDat*.
  - c) An error response was received from the IO-Link device.  
 The upper eight bits represent *ErrorCode*, and lower eight bits represent *AdditionalCode*.  
 For *ErrorCode* and *AdditionalCode*, refer to the Error type specifications of the IO-Link Communication Specification. You can obtain the Error type specifications from the IO-Link Consortium.  
<http://www.io-link.com/>
  - d) The specified IO-Link Master Unit does not exist.
  - e) The maximum number of messages that the IO-Link master can process is exceeded. Instruction execution is not possible because the IO-Link master is processing the messages from other applications.
  - f) The specified IO-Link Master Unit is not in a condition to receive messages.
  - g) More than 32 of the following instructions were executed at the same time: EC\_CoESDOWrite, EC\_CoESDORead, EC\_StartMon, EC\_StopMon, EC\_SaveMon, EC\_CopyMon, EC\_DisconnectSlave, EC\_ConnectSlave, EC\_ChangeEnableSetting, IOL\_ReadObj, and IOL\_WriteObj.
  - h) A timeout occurred during communications.
  - i) The specified port of the IO-Link Master Unit is not in IO-Link Mode. The port is disabled or in SIO Mode.
  - j) The IO-Link device is not connected to the specified port on the IO-Link Master Unit.
  - k) The IO power is not supplied to the specified port of the IO-Link Master Unit.
  - l) The specified port of the IO-Link Master Unit had a verification error or communications error.

## Sample Programming

In this sample, an IO-Link Master Unit (NX-ILM400) is connected to an EtherCAT Coupler Unit (NX-ECC203).



The error log (Index:37/Subindex:0) of 30 bytes is read from the photoelectric sensor (E3Z) connected to port 1 on the NX-ILM400. The read data is stored in *DeviceErrorLog*. The node address of the NX-ECC203 is 10.

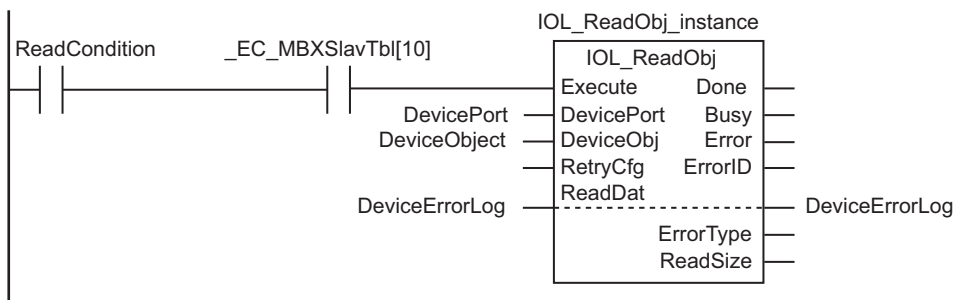
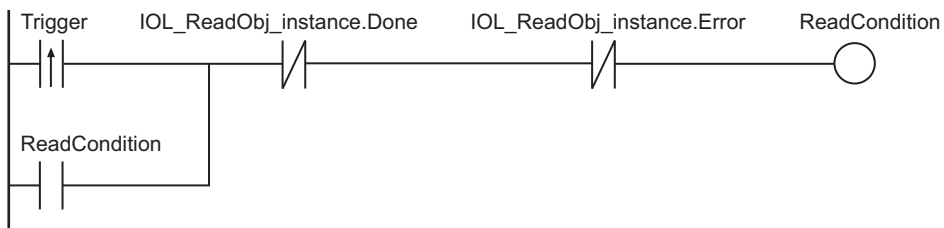
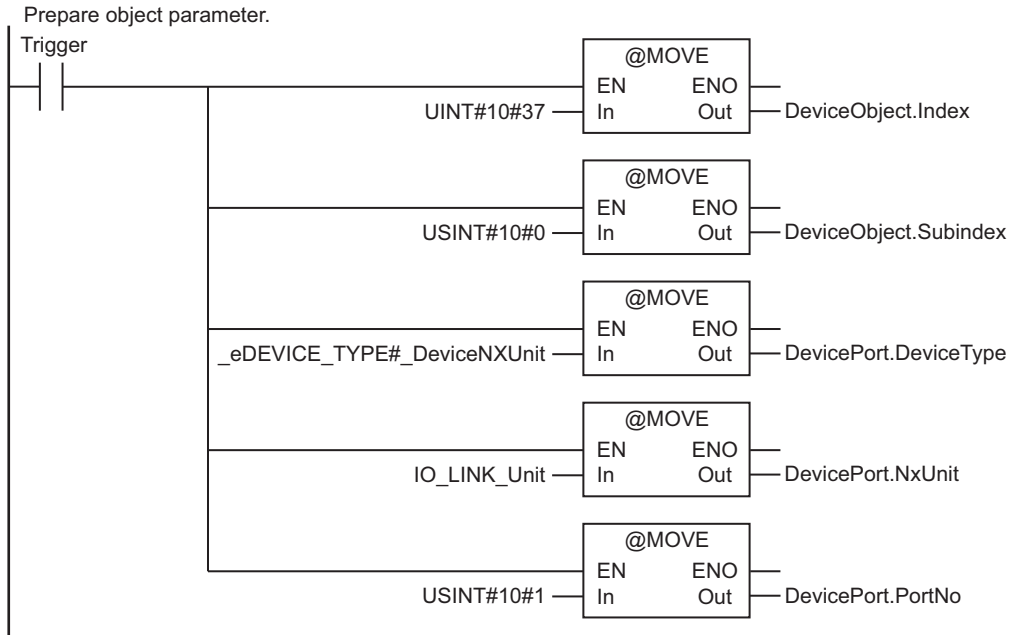
## LD

Internal Variables	Variable	Data type	Initial value	Comment
	Trigger	BOOL	FALSE	Execution condition
	ReadCondition	BOOL	FALSE	Data reading execution condition
	DevicePort	_sDEVICE_PORT		
	DeviceObject	_sIOLOBJ_ACCESS	(Index:=0, Subindex:=0)	Specification for the IO-Link device object
	DeviceErrorLog	ARRAY[1..30] OF BYTE		Read data
	IOL_ReadObj_instance	IOL_ReadObj		

External Variables	Variable	Constant	Initial value	Comment
	_EC_MBXSlavTbl	<input checked="" type="checkbox"/>	ARRAY[1..512] OF BOOL <sup>*1</sup>	Message Communications Enabled Slave Table
	IO_LINK_Unit	<input checked="" type="checkbox"/>	Set the device variable which specifies NX-ILM400 as the initial value of the structure member <i>NxUnit</i> .	

\*1. For the NX502 CPU Unit, the data type is *ARRAY [1..256] OF BOOL*.

For the NX102 CPU Unit, NX1P2 CPU Unit, and NJ-series CPU Unit, the data type is *ARRAY [1..192] OF BOOL*.



Processing after normal end



Processing after error end



## ST

Internal Variables	Variable	Data type	Initial value	Comment
	Trigger	BOOL	FALSE	Execution condition
	ReadGo	BOOL	FALSE	Data reading execution
	DevicePort	_sDEVICE_PORT		
	DeviceObject	_sIOLOBJ_ACCESS	(Index:=0, Subindex:=0)	Specification for the IO-Link device object
	DeviceErrorLog	ARRAY[1..30] OF BYTE		Read data
	NormalEnd	UINT	0	Normal end
	ErrorEnd	UINT	0	Error end
	R_Trig_Instance	R_Trig		
	IOL_ReadObj_instance	IOL_ReadObj		

External Variables	Variable	Constant	Initial value	Comment
	_EC_MBXSlavTbl	<input checked="" type="checkbox"/>	ARRAY[1..512] OF BOOL*1	Message Communications Enabled Slave Table
	IO_LINK_Unit	<input checked="" type="checkbox"/>	Set the device variable which specifies NX-ILM400 as the initial value of the structure member <i>NxUnit</i> .	

- \*1. For the NX502 CPU Unit, the data type is *ARRAY [1..256] OF BOOL*.  
 For the NX102 CPU Unit, NX1P2 CPU Unit, and NJ-series CPU Unit, the data type is *ARRAY [1..192] OF BOOL*.

```
// Prepare object parameter.
R_Trig_instance(Clk := Trigger);
IF (R_Trig_instance.Q=TRUE) THEN
  DeviceObject.Index := UINT#10#37;
  DeviceObject.Subindex := USINT#0;
  DevicePort.DeviceType:= _eDEVICE_TYPE#_DeviceNXUnit;
  DevicePort.NxUnit:= IO_LINK_Unit;
  DevicePort.PortNo:= USINT#10#1;
  IF ( _EC_MBXSlavTbl[10] =TRUE) THEN
    ReadGo := TRUE;
  END_IF;
END_IF;

IF ( (IOL_ReadObj_instance.Done=TRUE) OR (IOL_ReadObj_instance.Error=TRUE) ) THEN
  ReadGo := FALSE;
END_IF;

// Execute IOL_ReadObj instruction.
```

```
IOL_ReadObj_instance(  
    Execute := ReadGo,  
    DevicePort:= DevicePort,  
    DeviceObj := DeviceObject,  
    ReadDat :=DeviceErrorLog);  
  
// Processing after instruction execution  
IF (IOL_ReadObj_instance.Done=TRUE) THEN  
    // Processing after normal end  
    NormalEnd := NormalEnd + UINT#1;  
ELSIF (IOL_ReadObj_instance.Error=TRUE) THEN  
    // Processing after error end  
    ErrorEnd := ErrorEnd + UINT#1;  
END_IF;
```

# IOL\_WriteObj

The IOL\_WriteObj instruction writes data to IO-Link device objects.

Instruction	Name	FB /FUN	Graphic expression	ST expression
IOL_WriteObj	Write IO-Link Device Object	FB		IOL_WriteObj_instance(Execute, DevicePort, DeviceObj, RetryCfg, WriteDat, WriteSize, Done, Busy, Error, ErrorID, ErrorType);



## Precautions for Correct Use

You cannot use this instruction with EtherNet/IP type IO-Link Master Units.



## Version Information

A CPU Unit with unit version 1.12 or later and Sysmac Studio version 1.16 or higher are required to use this instruction.

## Variables

	Meaning	I/O	Description	Valid range	Unit	Default
DevicePort	Device port	Input	Object that represents a device port	---	---	---
DeviceObj	IO-Link device object parameter		Specification for the IO-Link device object	---	---	---
RetryCfg	Execution retry setting		Setting for the instruction execution retry	---	---	---
WriteDat	Write data		Data written to IO-Link device	Depends on data type.	---	---
WriteSize	Write data size		Write data size <sup>*1</sup>	10#1 to 10#232	Bytes	---
ErrorType	Error type	Output	Error code that is returned by IO-Link device is stored when <i>ErrorID</i> is 4800 hex.	16#0000 to 16#FFFF	---	---

\*1. Input 1 if the written data is a BOOL data. Input the number of elements if the written data is a BOOL array.

	Boo lean	Bit strings				Integers							Real numbers		Times, durations, dates, and text strings					
	BOOL	BYTE	WORD	DWORD	LWORD	USINT	UINT	UDINT	ULINT	SINT	INT	DINT	LINT	REAL	LREAL	TIME	DATE	TOD	DT	STRING
DevicePort	Refer to <i>Function</i> on page 2-1102 for details on the structure <i>_sDEVICE_PORT</i> .																			

	Boo lean	Bit strings					Integers								Real num- bers		Times, durations, dates, and text strings				
	BOOL	BYTE	WORD	DWORD	LWORD	USINT	UINT	UDINT	ULINT	SINT	INT	DINT	LINT	REAL	LREAL	TIME	DATE	TOD	DT	STRING	
DeviceObj	Refer to <i>Function</i> on page 2-1102 for details on the structure <code>_sIOLOBJ_ACCESS</code> .																				
RetryCfg	Refer to <i>Function</i> on page 2-1102 for details on the structure <code>_sIOL_RETRY_CFG</code> .																				
WriteDat	OK	OK	OK	OK	OK	OK	OK	OK	OK	OK	OK	OK	OK	OK	OK	OK	OK	OK	OK	OK	
	An array can also be specified.																				
WriteSize							OK														
ErrorType			OK																		

## Function

The `IOL_WriteObj` instruction writes object data to IO-Link devices.

For the *DevicePort* input variable, set the IO-Link Master Unit and the port number to which the target IO-Link device for writing is connected.

The data type of the *DevicePort* input variable is structure `_sDEVICE_PORT`. The specifications are as follows:

Name	Meaning	Description	Data type	Valid range	Unit	De- fault
DevicePort	Device port	Object that represents a device port	<code>_sDEVICE_PORT</code>	---	---	---
DeviceType	Device type	Type of the device to specify	<code>_eDEVICE_TYPE</code>	<code>_DeviceNXUnit</code> <code>_DeviceEcatSlave</code> <code>_DeviceOption-Board</code>	---	---
NxUnit	Specified Unit	NX Unit to control	<code>_sNXUNIT_ID</code>	---	---	---
EcatSlave	Specified slave	EtherCAT slave to control	<code>_sECAT_ID</code>	---	---	---
OptBoard	Specified Option Board	Option Board to control	<code>_sOPTBOARD_ID</code>	---	---	---
Reserved	Reserved	Reserved	---	---	---	---
PortNo	Port number	Port number 1: Port 1 2: Port 2 3: Port 3 4: Port 4 5: Port 5 6: Port 6 7: Port 7 8: Port 8	USINT	Depends on data type.	---	---

Use *DeviceType* to specify the device type.

Specify `_DeviceNXUnit` for an NX type of IO-Link Master Unit. Specify `_DeviceEcatSlave` for an EtherCAT type of IO-Link Master Unit.

The variable used to specify the device is determined by the specified device type.



For this instruction, it is determined as follows:

To specify the NX type, use *NxUnit* to specify the device. In this case, *EcatSlave* is not used.

To *NxUnit*, pass the device variable that is assigned to the device to specify.

To specify the EtherCAT type, use *EcatSlave* to specify the device. In this case, *NxUnit* is not used.

To *EcatSlave*, pass the device variable that is assigned to the device to specify.

Use *PortNo* to set the port number to which the IO-Link device is connected.

The number of ports differs depending on the type of IO-Link Master Unit.

NX type: 1 to 4

EtherCAT type: 1 to 8

The data type of *DeviceType* is enumerated type `_eDEVICE_TYPE`.

The meanings of the enumerators of enumerated type `_eDEVICE_TYPE` are as follows:

Enumerator	Meaning
<code>_DeviceNXUnit</code>	NX Unit is specified.
<code>_DeviceEcatSlave</code>	EtherCAT slave is specified.

Use the *DeviceObj* input variable to specify the object parameter for the IO-Link device to which data is written.

The data type of the *DeviceObj* input variable is structure `_sIOLOBJ_ACCESS`. The specifications are as follows:

Name	Meaning	Description	Data type	Valid range	Unit	Default
DeviceObj	IO-Link device object parameter	Specification for the IO-Link device object	<code>_sIOLOBJ_ACCESS</code>	---	---	---
Index	Index	Index	UINT	Depends on data type.	---	---
Subindex	Subindex	Set 0 to read from the entire index.	USINT	Depends on data type.	---	---

Use the *RetryCfg* input variable to set retry processing for instruction execution.

The data type of *RetryCfg* is structure `_sIOL_RETRY_CFG`. The specifications are as follows:

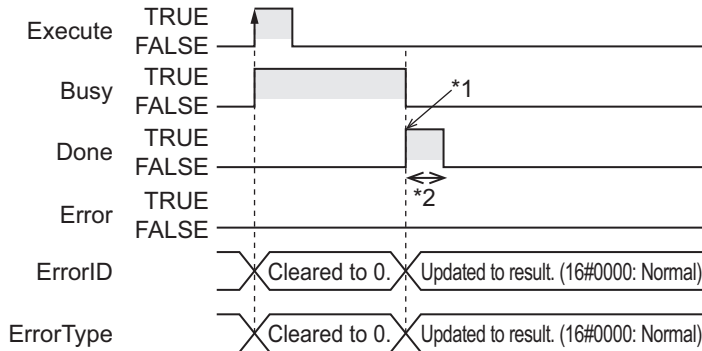
Name	Meaning	Description	Data type	Valid range	Unit	Default
RetryCfg	Execution retry setting	Setting for the instruction execution retry	<code>_sIOL_RETRY_CFG</code>	---	---	---
TimeOut	Timeout time	Timeout time If 0 is set, the timeout time is 2.0 s.	TIME	0 to 300 s	---	T#2.0s
RetryNum	Number of retries	Number of retries at timeout If 0 is set, the number of retries is 3 times.	UINT	Depends on data type.	Times	3

Use the *WriteDat* input variable to specify the data to write to the IO-Link device.

## Timing Charts

The following figures show the timing charts.

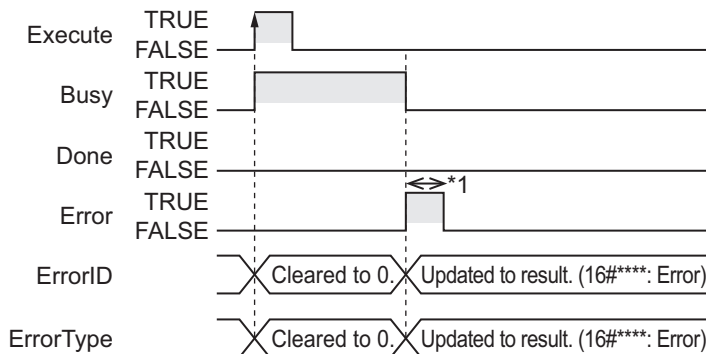
### ● Normal end



\*1. Writing completed.

\*2. Task period

### ● Error end



\*1. Task period

## Related System-defined Variables

Name	Meaning	Data type	Description
_EC_MBXSlavTbl	Message Communications Enabled Slave Table	ARRAY[1..512] OF BOOL*1	This table indicates the slaves that can perform message communications. Slaves are given in the table in the order of slave node addresses. TRUE: Communications are possible. FALSE: Communications are not possible.

\*1. For the NX502 CPU Unit, the data type is *ARRAY [1..256] OF BOOL*.

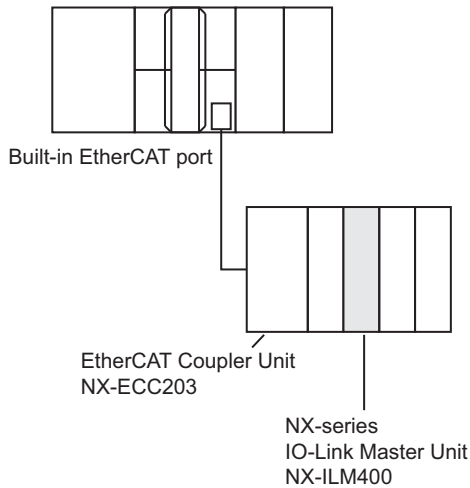
For the NX102 CPU Unit, NX1P2 CPU Unit, and NJ-series CPU Unit, the data type is *ARRAY [1..192] OF BOOL*.

## Precautions for Correct Use

- Execution of this instruction is continued until processing is completed even if the value of *Execute* changes to FALSE or the execution time exceeds the task period. The value of *Done* changes to TRUE when processing is completed. Use this to confirm normal completion of processing.
- For *DevicePort.NxUnit* and *DevicePort.EcatSlave*, specify the device variable that is assigned to the IO-Link Master Unit in the I/O Map of the Sysmac Studio. Refer to the *Sysmac Studio Version 1 Operation Manual (Cat. No. W504)* for details on assigning device variables.
- Always use a variable for the parameter to pass to *WriteDat*. A building error will occur if a constant is passed.
- You can execute only one instruction at a time for the IO-Link Master Unit regardless of its type (NX or EtherCAT).
- You cannot use this instruction in an event task. A compiling error will occur.
- This instruction is executed when *Execute* changes to TRUE. The instruction is not executed when *Execute* is always TRUE.
- You can define a maximum of 64 instances for the IOL\_ReadObj and IOL\_WriteObj instructions.
- An error will occur in the following cases.
  - a) A value that is out of range was set for *DevicePort.NxUnit* or *DevicePort.EcatSlave*.
  - b) The value of *TimeOut* is outside of the valid range.
  - c) The data type of *DevicePort* is invalid.
  - d) More than 232 bytes of data was specified for *WriteDat*.
  - e) An error response was received from the IO-Link device.  
The upper eight bits represent *ErrorCode*, and lower eight bits represent *AdditionalCode*.  
For *ErrorCode* and *AdditionalCode*, refer to the Error type specifications of the IO-Link Communication Specification. You can obtain the Error type specifications from the IO-Link Consortium.  
<http://www.io-link.com/>
  - f) The specified IO-Link Master Unit does not exist.
  - g) The maximum number of messages that the IO-Link master can process is exceeded. Instruction execution is not possible because the IO-Link master is processing the messages from other applications.
  - h) The specified IO-Link Master Unit is not in a condition to receive messages.
  - i) More than 32 of the following instructions were executed at the same time: *EC\_CoESDOWrite*, *EC\_CoESDORead*, *EC\_StartMon*, *EC\_StopMon*, *EC\_SaveMon*, *EC\_CopyMon*, *EC\_DisconnectSlave*, *EC\_ConnectSlave*, *EC\_ChangeEnableSetting*, *IOL\_ReadObj*, and *IOL\_WriteObj*.
  - j) A timeout occurred during communications.
  - k) The specified port of the IO-Link Master Unit is not in IO-Link Mode. The port is disabled or in SIO Mode.
  - l) The IO-Link device is not connected to the specified port on the IO-Link Master Unit.
  - m) The IO power is not supplied to the specified port of the IO-Link Master Unit.
  - n) The specified port of the IO-Link Master Unit had a verification error or communications error.

## Sample Programming

In this sample, an IO-Link Master Unit (NX-ILM400) is connected to an EtherCAT Coupler Unit (NX-ECC203).



The value *01* is written to the one-byte SwitchPoint Logic Output 1 (Index: 61/Subindex: 1) of the photoelectric sensor (E3Z) connected to port 1 on the NX-ILM400. The written data is stored in *SwitchPoint*.

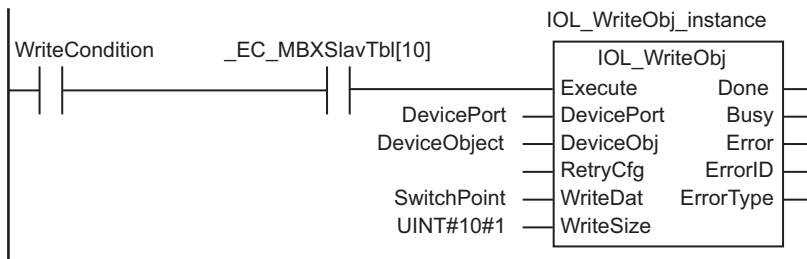
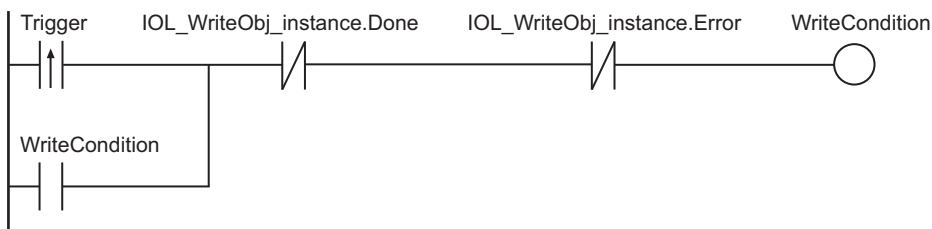
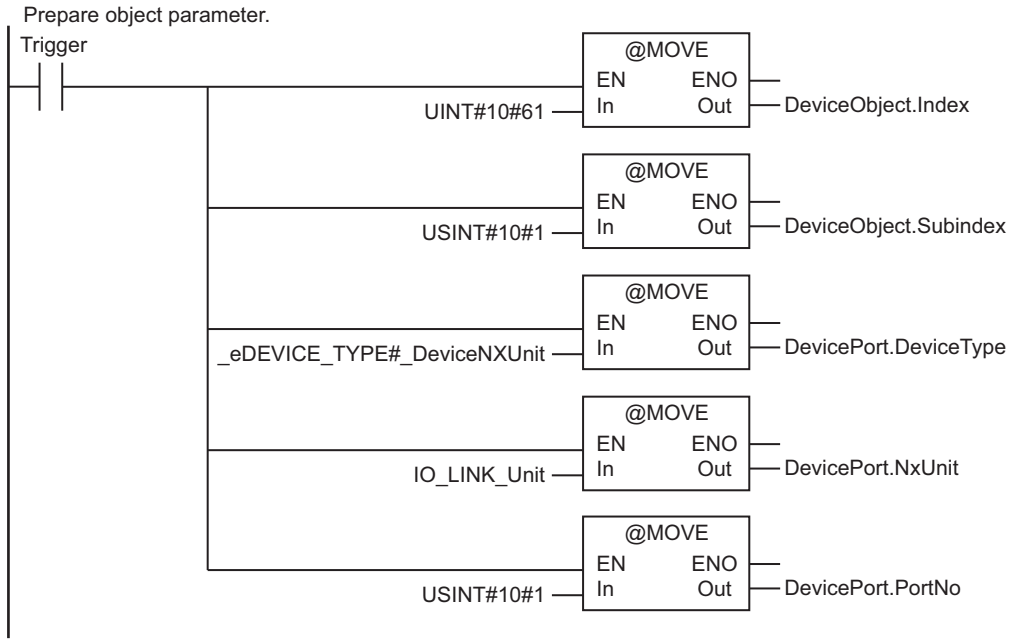
The node address of the NX-ECC203 is 10.

## LD

Internal Variables	Variable	Data type	Initial value	Comment
	Trigger	BOOL	FALSE	Execution condition
	WriteCondition	BOOL	FALSE	Data writing execution condition
	DevicePort	_sDEVICE_PORT		
	DeviceObject	_sIOLOBJ_ACCESS	(Index:=0, Subindex:=0)	Specification for the IO-Link device object
	SwitchPoint	USINT	USINT#01	Write data
	IOL_WriteObj_instance	IOL_WriteObj		

External Variables	Variable	Constant	Initial value	Comment
	_EC_MBXSlavTbl	<input checked="" type="checkbox"/>	ARRAY[1..512] OF BOOL*1	Message Communications Enabled Slave Table
	IO_LINK_Unit	<input checked="" type="checkbox"/>	Set the device variable which specifies NX-ILM400 as the initial value of the structure member <i>NxUnit</i> .	

\*1. For the NX502 CPU Unit, the data type is *ARRAY [1..256] OF BOOL*.  
 For the NX102 CPU Unit, NX1P2 CPU Unit, and NJ-series CPU Unit, the data type is *ARRAY [1..192] OF BOOL*.



## ST

Internal Variables	Variable	Data type	Initial value	Comment
	Trigger	BOOL	FALSE	Execution condition
	WriteGo	BOOL	FALSE	Data writing execution
	DevicePort	_sDEVICE_PORT		
	DeviceObject	_sIOLOBJ_ACCESS	(Index:=0, Subindex:=0)	Specification for the IO-Link device object
	SwitchPoint	USINT	USINT#01	Write data
	NormalEnd	UINT	0	Normal end
	ErrorEnd	UINT	0	Error end
	R_Trig_Instance	R_Trig		
	IOL_WriteObj_instance	IOL_WriteObj		

External Variables	Variable	Constant	Initial value	Comment
	_EC_MBXSlavTbl	<input checked="" type="checkbox"/>	ARRAY[1..512] OF BOOL*1	Message Communications Enabled Slave Table
	IO_LINK_Unit	<input checked="" type="checkbox"/>	Set the device variable which specifies NX-ILM400 as the initial value of the structure member <i>NxUnit</i> .	

\*1. For the NX502 CPU Unit, the data type is *ARRAY [1..256] OF BOOL*.  
 For the NX102 CPU Unit, NX1P2 CPU Unit, and NJ-series CPU Unit, the data type is *ARRAY [1..192] OF BOOL*.

```
// Prepare object parameter.
R_Trig_instance(Clk := Trigger);
IF (R_Trig_instance.Q=TRUE) THEN
  DeviceObject.Index := UINT#10#61;
  DeviceObject.Subindex := USINT#1;
  DevicePort.DeviceType:= _eDEVICE_TYPE#_DeviceNXUnit;
  DevicePort.NxUnit:= IO_LINK_Unit;
  DevicePort.PortNo:= USINT#10#1;
  IF ( _EC_MBXSlavTbl[10] =TRUE) THEN
    WriteGo := TRUE;
  END_IF;
END_IF;

IF ( (IOL_WriteObj_instance.Done=TRUE) OR (IOL_WriteObj_instance.Error=TRUE) ) THEN
  WriteGo := FALSE;
END_IF;

// Execute IOL_WriteObj instruction.
```

```
IOL_WriteObj_instance(  
    Execute := WriteGo,  
    DevicePort:= DevicePort,  
    DeviceObj := DeviceObject,  
    WriteDat := SwitchPoint,  
    WriteSize := UINT#10#1);  
  
// Processing after instruction execution  
IF (IOL_WriteObj_instance.Done=TRUE) THEN  
    // Processing after normal end  
    NormalEnd := NormalEnd + UINT#1;  
ELSIF (IOL_WriteObj_instance.Error=TRUE) THEN  
    // Processing after error end  
    ErrorEnd := ErrorEnd + UINT#1;  
END_IF;
```





# EtherNet/IP Communications Instructions

Instruction	Name	Page
CIPOpen	Open CIP Class 3 Connection (Large_Forward_Open)	page 2-1113
CIPOpenWithDataSize	Open CIP Class 3 Connection with Specified Data Size	page 2-1123
CIPRead	Read Variable Class 3 Explicit	page 2-1127
CIPWrite	Write Variable Class 3 Explicit	page 2-1133
CIPSend	Send Explicit Message Class 3	page 2-1139
CIPClose	Close CIP Class 3 Connection	page 2-1144
CIPUCMMRead	Read Variable UCMM Explicit	page 2-1147
CIPUCMMWrite	Write Variable UCMM Explicit	page 2-1153
CIPUCMMSend	Send Explicit Message UCMM	page 2-1160
SkUDPCreate	Create UDP Socket	page 2-1171
SkUDPRcv	UDP Socket Receive	page 2-1179
SkUDPSend	UDP Socket Send	page 2-1183
SkTCPAccept	Accept TCP Socket	page 2-1186
SkTCPConnect	Connect TCP Socket	page 2-1189
SkTCPRcv	TCP Socket Receive	page 2-1198
SkTCPSend	TCP Socket Send	page 2-1201
SkGetTCPStatus	Read TCP Socket Status	page 2-1204
SkClose	Close TCP/UDP Socket	page 2-1207
SkClearBuf	Clear TCP/UDP Socket Receive Buffer	page 2-1210
SkSetOption	Set TCP Socket Option	page 2-1213
SkTLSConnect	Establish TLS Session	page 2-1218

Instruction	Name	Page
SkdTLSRead	Receive TLS	page 2-1228
SkdTLSWrite	Send TLS	page 2-1231
SkdTLSDisconnect	Disconnect TLS Session	page 2-1233
SkdTLSClearBuf	Clear TLS Session Receive Buffer	page 2-1235
SkdTLSStopLog	Stop Secure Socket Communications Log	page 2-1237
ModbusTCPcmd	Send Modbus TCP General Command	page 2-1240
ModbusTCPRead	Send Modbus TCP Read Command	page 2-1248
ModbusTCPWrite	Send Modbus TCP Write Command	page 2-1256
ChangeIPAdr	Change IP Address	page 2-1264
ChangeXBUnitIPAdr	Change IP Address of X Bus Unit	page 2-1274
ChangeFTPAccount	Change FTP Account	page 2-1278
ChangeNTPServerAdr	Change NTP Server Address	page 2-1282
FTPGetFileList	Get FTP Server File List	page 2-1287
FTPGetFile	Get File from FTP Server	page 2-1302
FTPPutFile	Put File onto FTP Server	page 2-1311
FTPRemoveFile	Delete FTP Server File	page 2-1322
FTPRemoveDir	Delete FTP Server Directory	page 2-1332

# CIPOpen

The CIPOpen instruction opens a CIP class 3 connection (Large\_Forward\_Open) with the specified remote node. The data length is set to 1,994 bytes.

Instruction	Name	FB/ FUN	Graphic expression	ST expression
CIPOpen	Open CIP Class 3 Connection (Large_Forward_Open)	FB		CIPOpen_instance(Execute, RoutePath, TimeOut, Done, Busy, Error, ErrorIDEx, Handle);

## Variables

	Meaning	I/O	Description	Valid range	Unit	Default
RoutePath	Route path	Input	Route path	Depends on data type.	---	---
TimeOut	Timeout time		Timeout time	1 to 65535	0.1 s	20 (2 s)
Handle	Handle	Output	Handle	---	---	---

	Boo lean	Bit strings				Integers							Real num- bers		Times, durations, dates, and text strings					
	BOOL	BYTE	WORD	DWORD	LWORD	USINT	UINT	UDINT	ULINT	SINT	INT	DINT	LINT	REAL	LREAL	TIME	DATE	TOD	DT	STRING
RoutePath																				OK
TimeOut							OK													
Handle	Refer to <i>Function</i> on page 2-1113 for details on the structure <code>_sCIP_HANDLE</code> .																			

## Function

The CIPOpen instruction opens a CIP class 3 connection (Large\_Forward\_Open) with a remote node on a CIP network. The remote node is specified with route path *RoutePath*. The data length is set to 1,994 bytes.

*Handle* is output when the connection is open.

*TimeOut* specifies the connection timeout time.

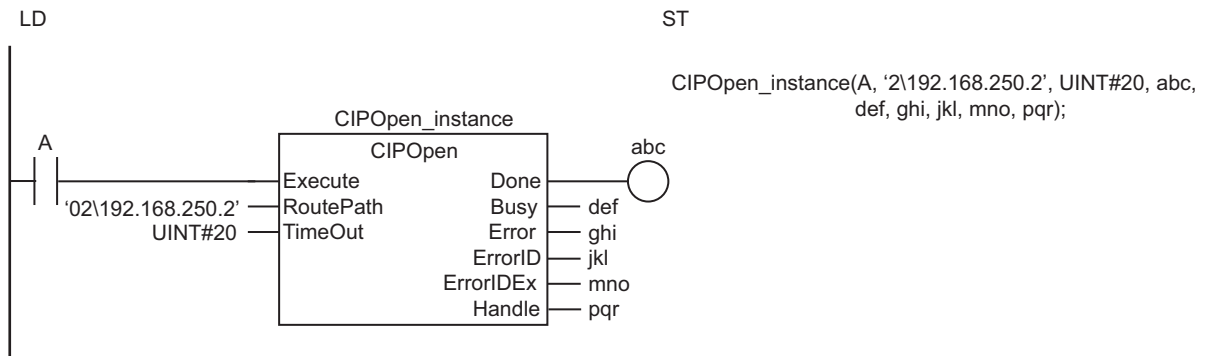
If a response does not return from the remote node within the connection timeout time after the CIP-Send, CIPWrite, or CIPRead instruction is executed, it is assumed that communications failed.

The connection timeout time is reset when the CIPRead, CIPWrite, or CIPSend instruction is executed and the remote node returns a response.

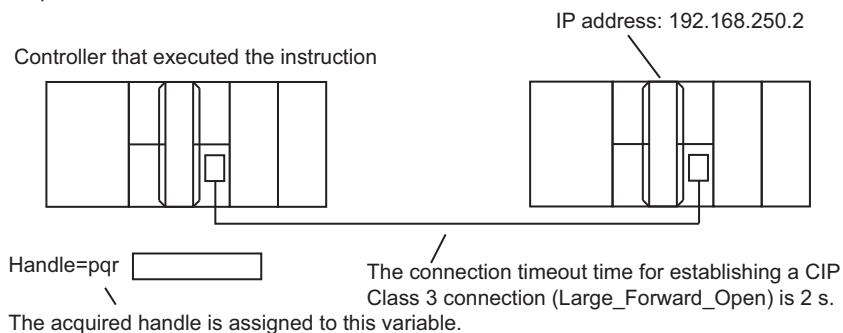
The data type of *Handle* is structure `_sCIP_HANDLE`. The specifications are as follows:

Name	Meaning	Description	Data type	Valid range	Unit	Default
Handle	Handle	Handle	_sCIP_HAN- DLE	---	---	---
Handle	Handle	Handle	UDINT	Depends on data type.	---	---

The following example is for when *RoutePath* is '02\192.168.250.2' and *TimeOut* is UINT#20. The Open CIP Class 3 Connection (*Large\_Forward\_Open*) instruction opens a CIP class 3 connection with the remote node with an IP address of 192.168.250.2. The timeout time is 2 s. The handle is assigned to variable *pqr*.



The Open CIP Class 3 Connection (*Large\_Forward\_Open*) instruction opens a CIP class 3 connection with a remote node on a CIP network. The remote node is specified with *RoutePath*.



If the value of *ErrorID* is WORD#16#1C00, the CIP message error code is stored in *ErrorIDEx*. The meaning and values of *ErrorIDEx* depend on the remote node. Refer to the manual for the remote node.

### Related System-defined Variables

Name	Meaning	Data type	Description
<i>_EIP_EtnOnlineSta</i> <sup>*1</sup>	Online	BOOL	This variable indicates when built-in EtherNet/IP port communications can be used. TRUE: Communications are possible. FALSE: Communications are not possible.
<i>_EIP1_EtnOnlineSta</i> <sup>*2</sup>			
<i>_EIP2_EtnOnlineSta</i> <sup>*3</sup>			

- \*1. Use this variable name for an NJ-series CPU Unit.
- \*2. Use this variable name for port 1 on an NX-series CPU Unit. You can specify *\_EIP\_EtnOnlineSta* instead of *\_EIP1\_EtnOnlineSta*.
- \*3. Use this variable name for port 2 on an NX-series CPU Unit.

## Additional Information

- Refer to the following manuals for details on CIP communications.
  - a) *NJ/NX-series CPU Unit Built-in EtherNet/IP Port User's Manual (Cat. No. W506)*
  - b) *NX-series EtherNet/IP Unit User's Manual (Cat. No. W627)*
  - c) *CJ-series EtherNet/IP Units Operation Manual for NJ-series CPU Unit (Cat. No. W495)*
- To establish a Forward Open connection or a connection with any given data length, use the instruction, *CIPOpenWithDataSize* on page 2-1123.

## Precautions for Correct Use

- Execution of this instruction is continued until processing is completed even if the value of *Execute* changes to FALSE or the execution time exceeds the task period. The value of *Done* changes to TRUE when processing is completed. Use this to confirm normal completion of processing.
- Refer to *Using this Section* on page 2-3 for a timing chart for *Execute*, *Done*, *Busy*, and *Error*.
- You must execute this instruction or the *CIPOpenWithDataSize* instruction before you execute the *CIPRead*, *CIPWrite*, or *CIPSend* instruction.
- For this instruction, the first timeout time after a connection is established is 10 s even if the value of *Timeout* is set to less than 100 (10 s).
- Use the *CIPClose* instruction to close connections that were opened with the *CIPOpen* instruction.
- Even if the connection times out, the handle created by this instruction will remain. Always use the *CIPClose* instruction to close the connection.
- Handles that are created with this instruction are disabled when you change to PROGRAM mode.
- You can create a maximum of 32 handles at the same time.
- You can use this instruction through a built-in EtherNet/IP port on an NJ/NX-series CPU Unit, through a port on an NX-series EtherNet/IP Unit connected to an NX502 CPU Unit, or through a port on an EtherNet/IP Unit connected to an NJ-series CPU Unit.
- An error occurs in the following cases. *Error* will change to TRUE.
  - a) The value of *Timeout* is outside of the valid range.
  - b) The text string in *RoutePath* is not valid.
  - c) More than 32 CIP-related instructions were executed simultaneously.
  - d) An attempt was made to open a connection beyond the CIPClass connection resources (32 connections).
  - e) A connection opened response was not received.
  - f) The remote node to which to open a connection does not support *Large\_Forward\_Open*.
  - g) There is a setting error for the local IP address.
  - h) A duplicated IP error occurred.
  - i) All TCP connections are already in use.
  - j) The instruction was executed when there was a BOOTP server error.



### Version Information

For CPU Unit version 1.10 or later, the value of *Handle* does not change even if *Error* changes to TRUE. For version 1.09 or earlier, the value of *Handle* changes to 0.

## Sample Programming

This sample uses CIP class 3 messages to write a variable, read a variable, and send a message.

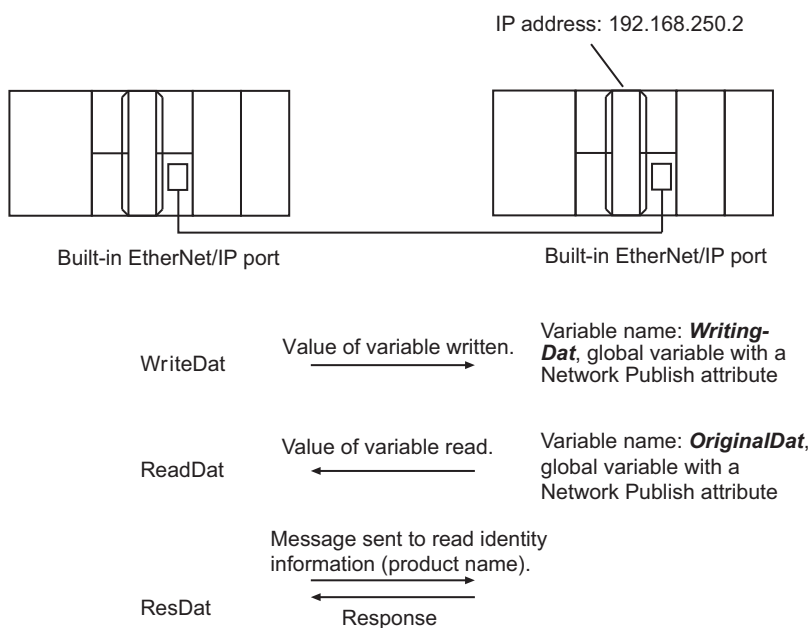
The Controllers are connected to an EtherNet/IP network. The IP address of the remote node is 192.168.250.2.

The following procedure is used.

- 1** The CIPOpen is used to open a class 3 connection (Large\_Forward\_Open). The timeout time is 2 s.
- 2** The CIPWrite instruction is used to write the value of a variable at a remote node. The variable name at the remote node is *WritingDat* and the contents of the *WriteDat* is written to it. *WritingDat* must be defined as a global variable at the remote node and the Network Publish attribute must be set.
- 3** The CIPRead instruction is used to read the value of a variable at a remote node. The value of the variable *OriginalDat* at the other node is read and the read value is stored in the *ReadDat* variable. *OriginalDat* must be defined as a global variable at the remote node and the Network Publish attribute must be set.
- 4** The CIPSend instruction is used to send an explicit message to a remote node. The contents of the message is to read identity information (product name). The class ID, instance ID, attribute ID, and service code are as follows: The response data is stored in the *ResDat* variable.

Item	Value
Class ID	1
Instance ID	1
Attribute ID	7
Service code	16#0E

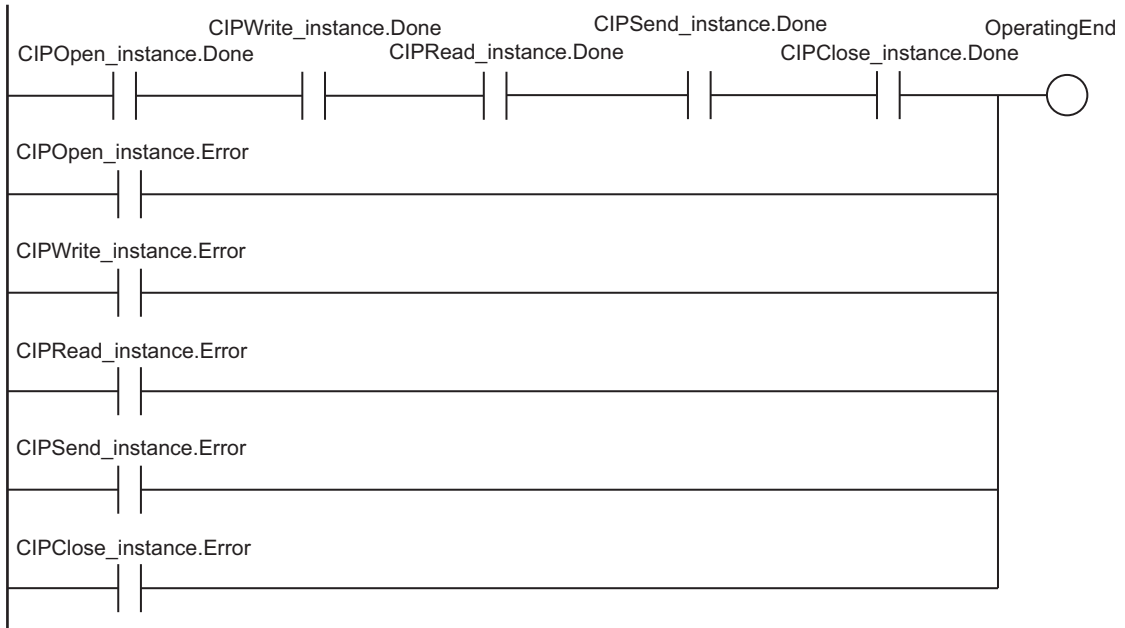
- 5** The CIPClose instruction is used to close the class 3 connection.



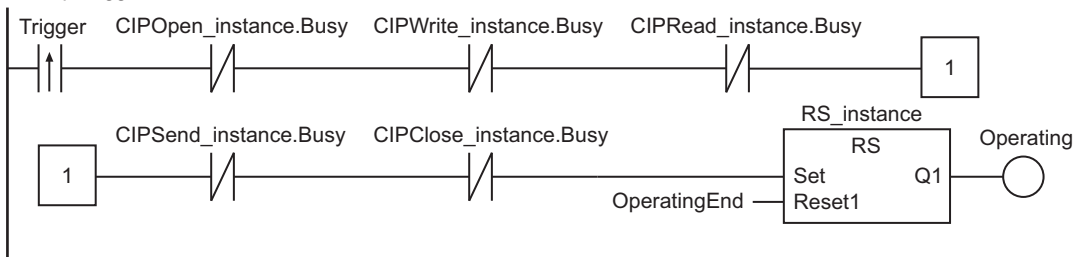
**LD**

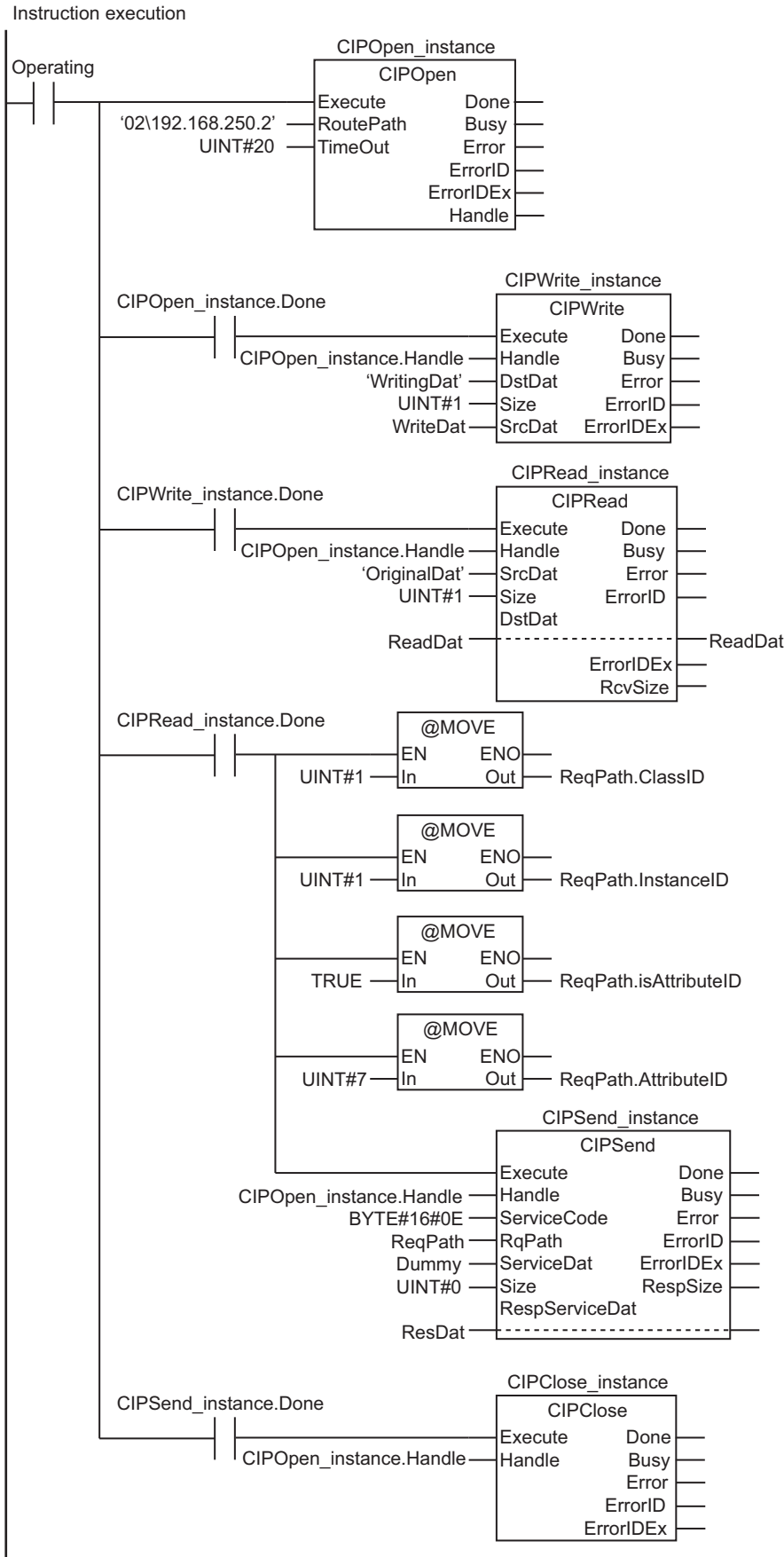
Variable	Data type	Initial value	Comment
OperatingEnd	BOOL	FALSE	Processing completed
Trigger	BOOL	FALSE	Execution condition
Operating	BOOL	FALSE	Processing
WriteDat	INT	1234	Write data
ReadDat	INT	0	Read data
ReqPath	_sREQUEST_PATH	(ClassID:=0, InstanceID:=0, isAttributeID:=FALSE, AttributeID:=0)	Request path
ResDat	ARRAY[0..10] OF BYTE	[11(16#0)]	Response data
Dummy	BYTE	16#0	Dummy
RS_instance	RS		
CIPOpen_instance	CIPOpen		
CIPWrite_instance	CIPWrite		
CIPRead_instance	CIPRead		
CIPSend_instance	CIPSend		
CIPClose_instance	CIPClose		

Determine if instruction execution is completed.

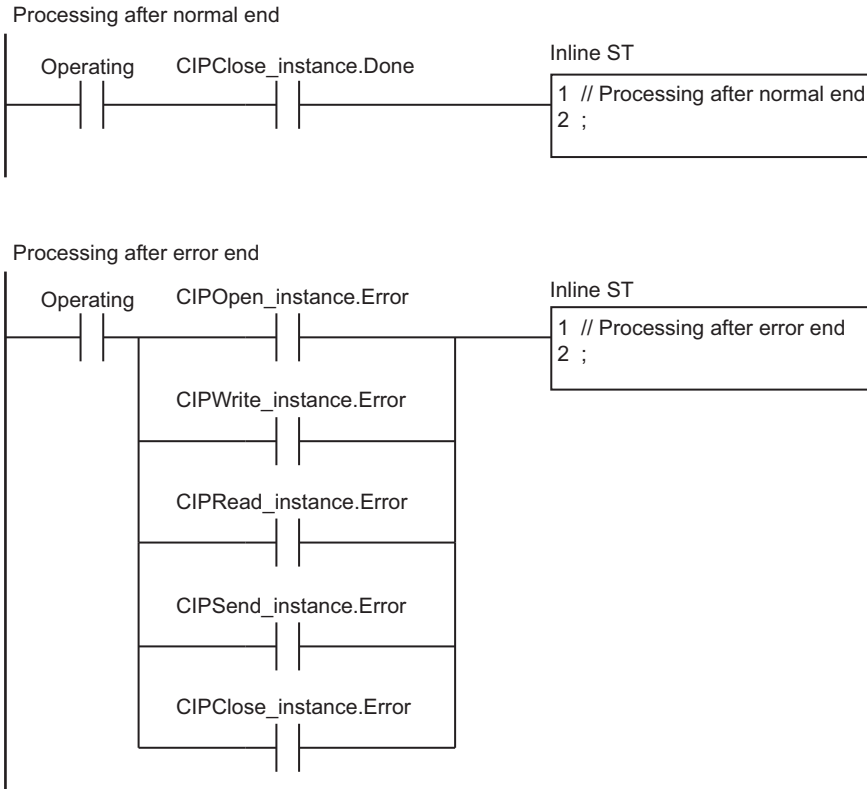


Accept trigger.









**ST**

Internal Variables	Variable	Data type	Initial value	Comment
	Trigger	BOOL	FALSE	Execution condition
	DoCIPTrigger	BOOL	FALSE	Processing
	Stage	INT	0	Stage change
	WriteDat	INT	0	Write data
	ReadDat	INT	0	Read data
	ReqPath	_sREQUEST_PATH	(ClassID:=0, InstanceID:=0, isAttributeID:=FALSE, AttributeID:=0)	Request path
	ResDat	ARRAY[0..10] OF BYTE	[11(16#0)]	Response data
	Dummy	BYTE	16#0	Dummy
	CIPOpen_instance	CIPOpen		
	CIPWrite_instance	CIPWrite		
	CIPRead_instance	CIPRead		
	CIPSend_instance	CIPSend		
	CIPClose_instance	CIPClose		

External Variables	Variable	Constant	Data type	Comment
	_EIP_EtnOnlineSta	☑	BOOL	Online

```
// Start sequence when Trigger changes to TRUE.
IF ( (Trigger=TRUE) AND (DoCIPTrigger=FALSE) AND (_Eip_EtnOnlineSta=TRUE) ) THEN
  DoCIPTrigger :=TRUE;
  Stage :=INT#1;
  CIPOpen_instance(Execute:=FALSE); // Initialize instance.
  CIPWrite_instance(
    Execute :=FALSE, // Initialize instance.
    SrcDat :=WriteDat); // Dummy
  CIPRead_instance( // Initialize instance.
    Execute :=FALSE, // Dummy
    DstDat :=ReadDat); // Dummy
  CIPSend_instance(
    Execute :=FALSE, // Initialize instance.
    ServiceDat := Dummy, // Dummy
    RespServiceDat :=ResDat); // Dummy
  CIPCclose_instance(Execute:=FALSE); // Initialize instance.
END_IF;

IF (DoCIPTrigger=TRUE) THEN
  CASE Stage OF
  1 : // Open CIP Class 3 Connection (Large_Forward_Open)
    CIPOpen_instance(
      Execute :=TRUE,
      Timeout :=UINT#20, // Timeout time: 2.0 s
      RoutePath :='02\192.168.250.2'); // Route path

    IF (CIPOpen_instance.Done=TRUE) THEN
      Stage:=INT#2; // Normal end
    ELSIF (CIPOpen_instance.Error=TRUE) THEN
      Stage:=INT#10; // Error end
    END_IF;

  2 : // Request writing value of variable.
    CIPWrite_instance(
      Execute :=TRUE,
      Handle :=CIPOpen_instance.Handle, // Handle
      DstDat :='WritingDat', // Destination variable name
      Size :=UINT#1, // Number of elements to write
      SrcDat :=WriteDat); // Write data
    IF (CIPWrite_instance.Done=TRUE) THEN
      Stage:=INT#3; // Normal end
    END_IF;
  END_CASE;
END_IF;
```

```

ELSIF (CIPWrite_instance.Error=TRUE) THEN
    Stage:=INT#20; // Error end
END_IF;

3 : // Request reading value of variable.
    CIPRead_instance(
        Execute :=TRUE,
        Handle :=CIPOpen_instance.Handle, // Handle
        SrcDat :='OriginalDat', // Destination variable name
        Size :=UINT#1, // Number of elements to read
        DstDat :=ReadDat); // Read data

    IF (CIPRead_instance.Done=TRUE) THEN
        Stage:=INT#4; // Normal end
    ELSIF (CIPRead_instance.Error=TRUE) THEN
        Stage:=INT#30; // Error end
    END_IF;

4 : // Send message
    ReqPath.ClassID :=UINT#01;
    ReqPath.InstanceID :=UINT#01;
    ReqPath.isAttributeID :=TRUE;
    ReqPath.AttributeID :=UINT#07;
    CIPSend_instance(
        Execute :=TRUE,
        Handle :=CIPOpen_instance.Handle, // Handle
        ServiceCode :=BYTE#16#0E, // Service code
        RqPath :=ReqPath, // Request path
        ServiceDat :=Dummy, // Service data
        Size :=UINT#0, // Number of elements
        RespServiceDat:=ResDat); // Response data

    IF (CIPSend_instance.Done=TRUE) THEN
        Stage:=INT#5; // Normal end
    ELSIF (CIPSend_instance.Error=TRUE) THEN
        Stage:=INT#40; // Error end
    END_IF;

5 : // Request closing CIP class 3 connection.
    CIPClose_instance(
        Execute :=TRUE,
        Handle :=CIPOpen_instance.Handle); // Handle

    IF (CIPClose_instance.Done=TRUE) THEN
        Stage:=INT#0;
    ELSIF (CIPClose_instance.Error=TRUE) THEN
        Stage:=INT#50;

```

```
        END_IF;

0: // Processing after normal end
    DoCIPTrigger :=FALSE;
    Trigger      :=FALSE;

ELSE // Processing after error end
    DoCIPTrigger :=FALSE;
    Trigger      :=FALSE;
END_CASE;
END_IF;
```

# CIPOpenWithDataSize

The CIPOpenWithDataSize instruction opens a CIP class 3 connection with the specified remote node that allows class 3 explicit messages of the specified data length or shorter to be sent and received.

Instruction	Name	FB/ FUN	Graphic expression	ST expression
CIPOpenWithDataSize	Open CIP Class 3 Connection with Specified Data Size	FB		CIPOpen_instance(Execute, RoutePath, TimeOut, DataSize, Done, Busy, Error, ErrorID, ErrorIDEx, Handle);



## Version Information

A CPU Unit with unit version 1.06 or later and Sysmac Studio version 1.07 or higher are required to use this instruction.

## Variables

	Meaning	I/O	Description	Valid range	Unit	Default
RoutePath	Route path	Input	Route path	Depends on data type.	---	---
TimeOut	Timeout time		Timeout time	1 to 65,535	0.1 s	20 (2 s)
DataSize	Data length		Data length	6 to 8,192*1 *2	Bytes	1994
Handle	Handle	Output	Handle	---	---	---

\*1. The range is 6 to 1994 for an NX502 CPU Unit, NX102 CPU Unit, NX1P2 CPU Unit, and NJ-series CPU Unit.

\*2. With a CPU Unit with unit version 1.10 or earlier or Sysmac Studio version 1.14 or lower, the minimum value is 10.

	Boo lean	Bit strings					Integers							Real num- bers		Times, durations, dates, and text strings				
	BOOL	BYTE	WORD	DWORD	LWORD	USINT	UINT	UDINT	ULINT	SINT	INT	DINT	LINT	REAL	LREAL	TIME	DATE	TOD	DT	STRING
RoutePath																				OK
TimeOut							OK													
DataSize							OK													
Handle	Refer to <i>Function</i> on page 2-1123 for details on the structure <code>_sCIP_HANDLE</code> .																			

## Function

The CIPOpenWithDataSize instruction opens a CIP class 3 connection with a remote node on a CIP network. The remote node is specified with route path *RoutePath*. Data length *DataSize* specifies the data length of class 3 explicit messages that can be sent and received.

The class 3 connection service is determined by the value of *DataSize* as given in the following table.

Value of <i>DataSize</i> [bytes]	Service
509 or less	Forward_Open
510 to 8,192*1	Large_Forward_Open

\*1. The range is 510 to 1994 for an NX502 CPU Unit, NX102 CPU Unit, NX1P2 CPU Unit, and NJ-series CPU Unit.

*Handle* is output when the connection is open.

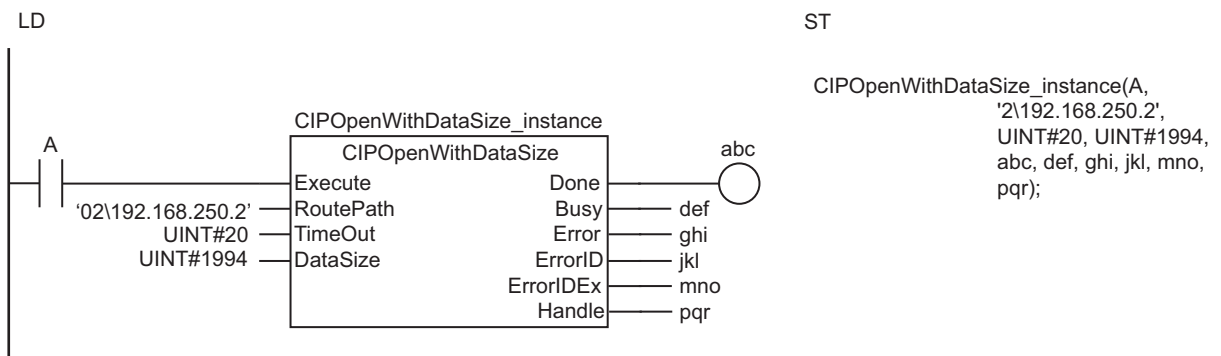
*TimeOut* specifies the connection timeout time. If a response does not return from the remote node within the connection timeout time after the CIPSend, CIPWrite, or CIPRead instruction is executed, it is assumed that communications failed.

The connection timeout time is reset when the CIPRead, CIPWrite, or CIPSend instruction is executed and the remote node returns a response.

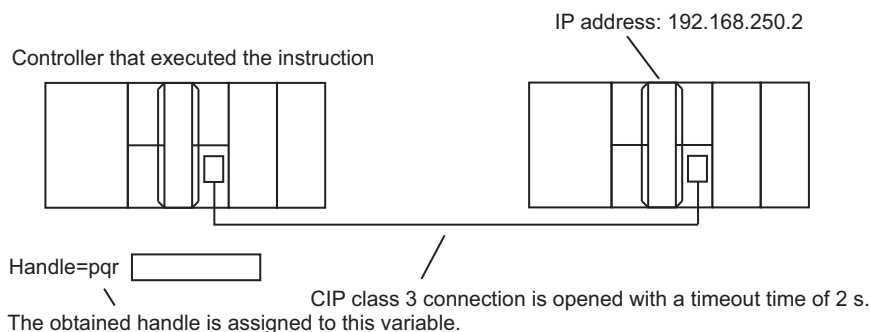
The data type of *Handle* is structure `_sCIP_HANDLE`. The specifications are as follows:

Name	Meaning	Description	Data type	Valid range	Unit	Default
Handle	Handle	Handle	<code>_sCIP_HANDLE</code>	---	---	---
Handle	Handle	Handle	UDINT	Depends on data type.	---	---

The following example is for when *RoutePath* is '02\192.168.250.2' and *TimeOut* is UINT#20. The CIPOpenWithDataSize instruction opens a CIP class 3 connection with the remote node with an IP address of 192.168.250.2. The data length is 1,994 bytes and the timeout time is 2 s. The handle is assigned to variable *pqr*.



The CIPOpenWithDataSize instruction opens a CIP class 3 connection with a remote node on a CIP network. The remote node is specified with **RoutePath**.



If the value of *ErrorID* is WORD#16#1C00, the CIP message error code is stored in *ErrorIDEx*. The meaning and values of *ErrorIDEx* depend on the remote node. Refer to the manual for the remote node.

## Related System-defined Variables

Name	Meaning	Data type	Description
<i>_EIP_EtnOnlineSta</i> <sup>*1</sup>	Online	BOOL	This variable indicates when built-in EtherNet/IP port communications can be used. TRUE: Communications are possible. FALSE: Communications are not possible.
<i>_EIP1_EtnOnlineSta</i> <sup>*2</sup>			
<i>_EIP2_EtnOnlineSta</i> <sup>*3</sup>			

\*1. Use this variable name for an NJ-series CPU Unit.

\*2. Use this variable name for port 1 on an NX-series CPU Unit.  
You can specify *\_EIP\_EtnOnlineSta* instead of *\_EIP1\_EtnOnlineSta*.

\*3. Use this variable name for port 2 on an NX-series CPU Unit.

## Additional Information

- Refer to the following manuals for details on CIP communications.
  - NJ/NX-series CPU Unit Built-in EtherNet/IP Port User's Manual (Cat. No. W506)*
  - NX-series EtherNet/IP Unit User's Manual (Cat. No. W627)*
  - CJ-series EtherNet/IP Units Operation Manual for NJ-series CPU Unit (Cat. No. W495)*
- To use *Large\_Forward\_Open* as the class 3 connection service, you can also use the instruction, *CIPOpen* on page 2-1113.

## Precautions for Correct Use

- Execution of this instruction is continued until processing is completed even if the value of *Execute* changes to FALSE or the execution time exceeds the task period. The value of *Done* changes to TRUE when processing is completed. Use this to confirm normal completion of processing.
- Refer to *Using this Section* on page 2-3 for a timing chart for *Execute*, *Done*, *Busy*, and *Error*.
- You must execute this instruction or the *CIPOpen* instruction before you execute the *CIPRead*, *CIPWrite*, or *CIPSend* instruction.
- For this instruction, the first timeout time after a connection is established is 10 s even if the value of *TimeOut* is set to less than 100 (10 s).
- Use the *CIPClose* instruction to close connections that were opened with the *CIPOpenWithDataSize* instruction.
- Even if the connection times out, the handle created by this instruction will remain. Always use the *CIPClose* instruction to close the connection.
- Handles that are created with this instruction are disabled when you change to PROGRAM mode.
- You can create a maximum of 32 handles at the same time.
- You can use this instruction through a built-in EtherNet/IP port on an NJ/NX-series CPU Unit, through a port on an NX-series EtherNet/IP Unit connected to an NX502 CPU Unit, or through a port on an EtherNet/IP Unit connected to an NJ-series CPU Unit.
- An error occurs in the following cases. *Error* will change to TRUE.
  - The value of *TimeOut* is outside of the valid range.
  - The text string in *RoutePath* is not valid.
  - More than 32 CIP-related instructions were executed simultaneously.

- d) An attempt was made to open a connection beyond the CIPClass connection resources (32 connections).
- e) A connection opened response was not received.
- f) The value of *DataSize* is 510 to 1,994 and the remote node to which to open a connection does not support *Large\_Forward\_Open*.
- g) There is a setting error for the local IP address.
- h) A duplicated IP error occurred.
- i) All TCP connections are already in use.
- j) The instruction was executed when there was a BOOTP server error.



### Version Information

---

For CPU Unit version 1.10 or later, the value of *Handle* does not change even if *Error* changes to TRUE. For version 1.09 or earlier, the value of *Handle* changes to 0.

---



# CIPRead

The CIPRead instruction uses a class 3 explicit message to read the value of a variable in another Controller on a CIP network.

Instruction	Name	FB/ FUN	Graphic expression	ST expression
CIPRead	Read Variable Class 3 Explicit	FB		CIPRead_instance(Execute, Handle, SrcDat, Size, DstDat, Done, Busy, Error, ErrorID, ErrorIDEx, RcvSize);

## Variables

	Meaning	I/O	Description	Valid range	Unit	Default
Handle	Handle	Input	Handle obtained with CIPOpen or CIPOpen-WithDataSize instruction	---	---	---
SrcDat	Source variable name		Name of variable to read in other Controller	Depends on data type.		"
Size	Number of elements to read		Number of elements to read	0 to 8,186*1		1
DstDat	Read data	In-out	Read data value	Depends on data type.	---	---
RcvSize	Read data size	Output	Read data size	0 to 8,186*1	Bytes	---

\*1. The range is 0 to 1988 for an NX502 CPU Unit, NX102 CPU Unit, NX1P2 CPU Unit, and NJ-series CPU Unit.

	Boo lean	Bit strings					Integers							Real num- bers		Times, durations, dates, and text strings				
	BOOL	BYTE	WORD	DWORD	LWORD	USINT	UINT	UDINT	ULINT	SINT	INT	DINT	LINT	REAL	LREAL	TIME	DATE	TOD	DT	STRING
Handle		Refer to <i>Function</i> on page 2-1128 for details on the structure <code>_sCIP_HANDLE</code> .																		
SrcDat																				OK
Size							OK													
DstDat	OK	OK	OK	OK	OK	OK	OK	OK	OK	OK	OK	OK	OK	OK	OK	OK	OK	OK	OK	OK
	An enumeration, array, structure, structure member, or union member can also be specified.*1																			
RcvSize							OK													

\*1. You cannot specify a STRING array.

## Function

The CIPRead instruction reads the value of the network variable specified with source variable name *SrcDat* from another Controller on a CIP network. The other Controller is specified with *Handle*. The read data value is stored in *DstDat*.

*Size* specifies the number of elements to read.

If *SrcDat* is an array, specify the number of elements to read. If *SrcDat* is not an array, always specify 1.

If the value of *Size* is 0, nothing is read regardless of whether *SrcDat* is an array or not.

When the read operation is completed, the number of bytes of the data that was read is assigned to read data size *RcvSize*.

The maximum size of the data that you can read depends on the instruction that established the connection and the data type of the data that is read as shown in the following table.

Instruction that established the connection	Data type of read data	Maximum size of data that you can read [bytes]
CIPOpen	Structure	1984
	STRING	1986
	Other data type	1988
CIPOpenWithDataSize	Structure	<i>DataSize</i> in CIPOpenWithDataSize instruction -10
	STRING	<i>DataSize</i> in CIPOpenWithDataSize instruction -8
	Other data type	<i>DataSize</i> in CIPOpenWithDataSize instruction -6

The data type of *Handle* is structure `_sCIP_HANDLE`. The specifications are as follows:

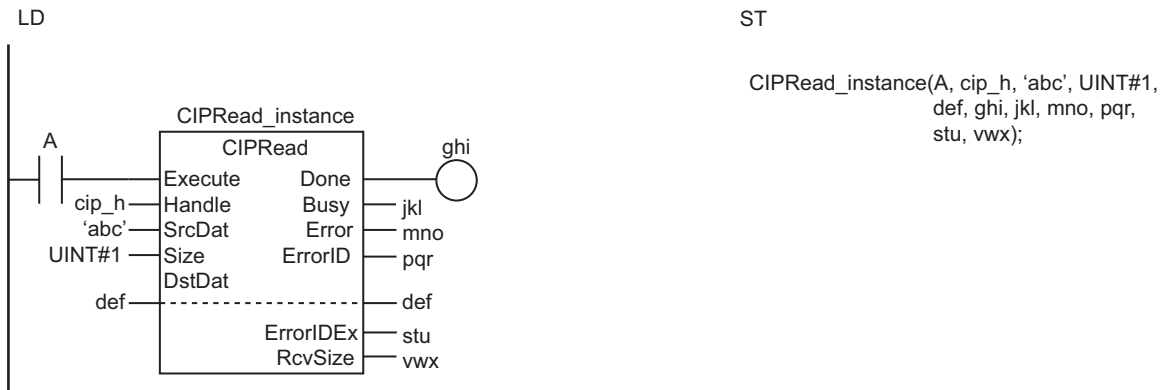
Name	Meaning	Description	Data type	Valid range	Unit	Default
Handle	Handle	Handle	<code>_sCIP_HANDLE</code>	---	---	---
	Handle	Handle	UDINT	Depends on data type.	---	---

If the value of *ErrorID* is `WORD#16#1C00`, the CIP message error code is stored in *ErrorIDEx*.

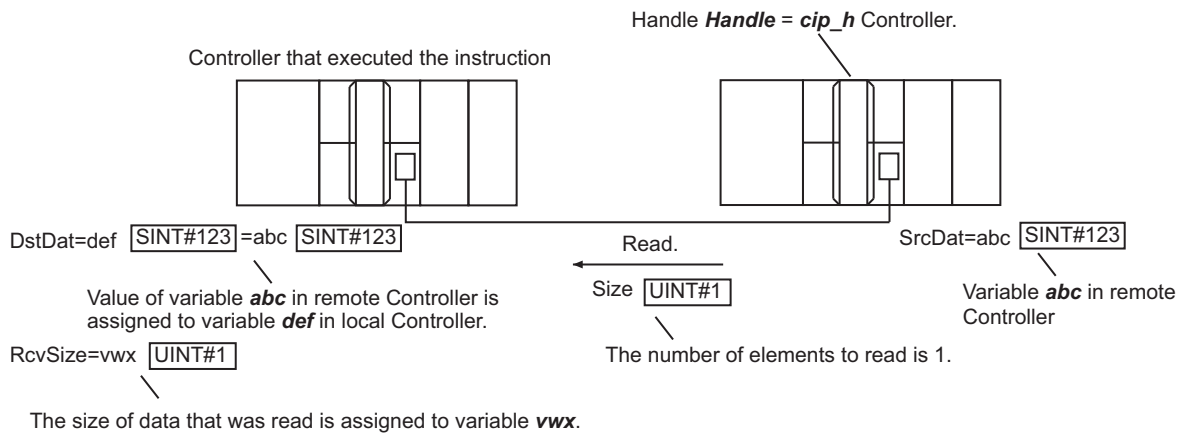
In the following example, the value of variable *abc* in the remote Controller is read and stored in the variable *def* in the local Controller. The number of elements to read *Size* is `UINT#1`.

The data type of *abc* and *def* is `SINT`.

The size of `SINT` data is one byte, so the value of the read data size *vwx* is `UINT#1`.



The value of variable **SrcDat** in remote Controller on the CIP network specified by the handle **Handle** is assigned to variable **DstDat** in the local Controller. **Size** specifies the number of elements to read. The size of data that was read is assigned to **RcvSize**.



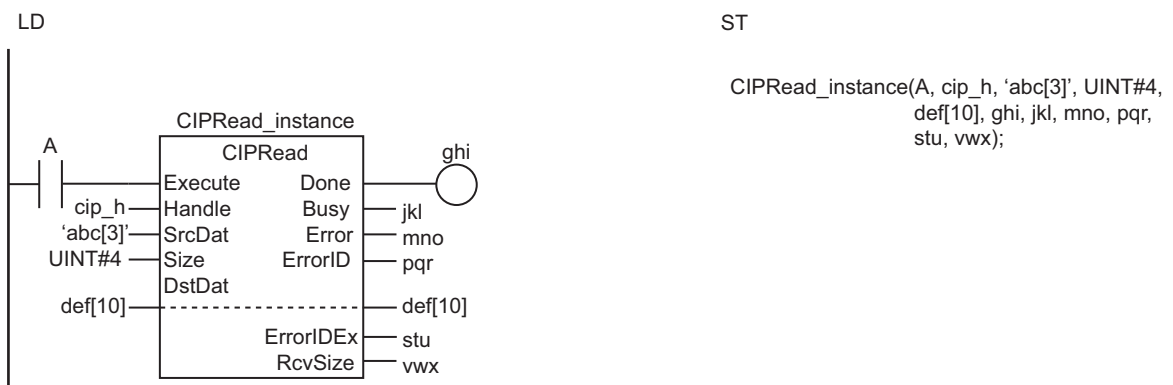
## Reading Arrays

To read array data, pass a subscripted array element to **SrcDat** as the parameter. Also pass a subscripted array element to **DstDat** as the parameter.

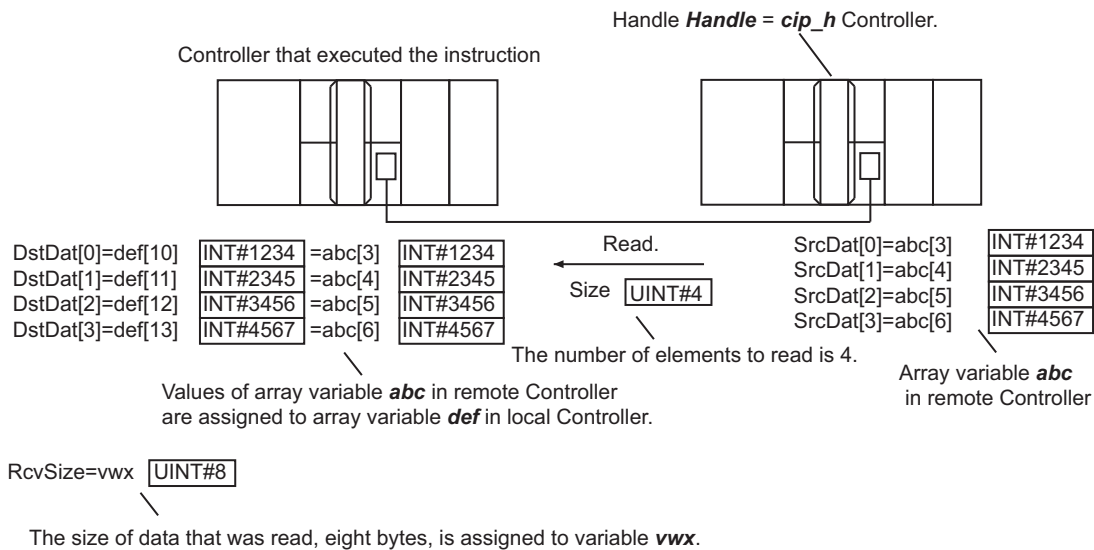
The following example reads the four array variable elements **abc[3]** to **abc[6]** from the remote Controller and stores the results in array variable elements **def[10]** to **def[13]** in the local Controller.

The data type of **abc** and **def** is INT.

The size of INT data is two bytes, so the value of the read data size **vwx** is **UINT#8**.



Values of array variable elements **abc[3]** to **abc[6]** in remote Controller are assigned to array variable elements **def[10]** to **def[13]** in local Controller.



### Related System-defined Variables

Name	Meaning	Data type	Description
<code>_EIP_EtnOnlineSta</code> <sup>*1</sup>	Online	BOOL	This variable indicates when built-in EtherNet/IP port communications can be used. TRUE: Communications are possible. FALSE: Communications are not possible.
<code>_EIP1_EtnOnlineSta</code> <sup>*2</sup>			
<code>_EIP2_EtnOnlineSta</code> <sup>*3</sup>			

\*1. Use this variable name for an NJ-series CPU Unit.

\*2. Use this variable name for port 1 on an NX-series CPU Unit.  
You can specify `_EIP_EtnOnlineSta` instead of `_EIP1_EtnOnlineSta`.

\*3. Use this variable name for port 2 on an NX-series CPU Unit.

### Additional Information

Refer to the following manuals for details on CIP communications.

- *NJ/NX-series CPU Unit Built-in EtherNet/IP Port User's Manual (Cat. No. W506)*
- *NX-series EtherNet/IP Unit User's Manual (Cat. No. W627)*
- *CJ-series EtherNet/IP Units Operation Manual for NJ-series CPU Unit (Cat. No. W495)*

### Precautions for Correct Use

- Execution of this instruction is continued until processing is completed even if the value of *Execute* changes to FALSE or the execution time exceeds the task period. The value of *Done* changes to TRUE when processing is completed. Use this to confirm normal completion of processing.
- Refer to *Using this Section* on page 2-3 for a timing chart for *Execute*, *Done*, *Busy*, and *Error*.
- Execute the *CIPOpen* or *CIPOpenWithDataSize* instruction to obtain the value for *Handle* before you execute this instruction.
- You can use this instruction through a built-in EtherNet/IP port on an NJ/NX-series CPU Unit, through a port on an NX-series EtherNet/IP Unit connected to an NX502 CPU Unit, or through a port on an EtherNet/IP Unit connected to an NJ-series CPU Unit.

- If a variable is read from an OMRON Controller, the variable must be published to the network. Publish the variable to the network in advance.
- You cannot specify an address in memory for CJ-series Units directly to read data. To read specific addresses in memory for CJ-series Units, use an AT specification in advance to assign the memory addresses to a variable.
- You cannot specify an address in local memory for CJ-series Units directly to store data. To store data in specific addresses in memory for CJ-series Units, use an AT specification in advance to assign the memory addresses to *DstDat*.
- The characters that can be used in *SrcDat* are specified in the following table.

Item	Specification
Maximum number of bytes	127 bytes
Character code	UTF-8
Applicable characters	Alphanumeric characters (not case sensitive), single-byte Katakana, multibyte characters, and '_' (underbars)
Prohibited text strings	<ul style="list-style-type: none"> <li>• Any text string that starts with ASCII characters 0 to 9 (character codes 16#30 to 16#39)</li> <li>• A text string that consists of only a single '_' (underbar) ASCII character</li> <li>• Any text string that includes two or more consecutive '_' (underbar) ASCII characters</li> <li>• Any text string that starts with an '_' (underbar) ASCII character</li> <li>• Any text string that ends with an '_' (underbar) ASCII character</li> <li>• Any text string that starts with 'P_'</li> </ul>

- An error occurs in the following cases. *Error* will change to TRUE.
  - a) The value of *Size* is outside of the valid range.
  - b) The text string in *SrcDat* is not valid.
  - c) The data type of the value that was read does not agree with the data type of *DstDat*.
  - d) The size of data that was read exceeds the range of *DstDat*.
  - e) A data type that is not supported was specified for *DstDat*.
  - f) An error response defined by CIP was returned.
  - g) The value of *Handle.Handle* is outside of the valid range.
  - h) More than 32 CIP-related instructions were executed simultaneously.
  - i) The connection that was established with the CIPOpen or CIPOpenWithDataSize instruction has timed out.
  - j) The size of *SrcDat* exceeded the data size determined by the instruction that established the connection and the data type of the read data.
- For this instruction, expansion error code *ErrorIDEx* gives the CIP message error code. The meanings are as follows:

Value	Error
16#02000000	Normal communications are not possible due to a high load at the remote node.
16#04000000	<p>The specified source variable is one of the following data types and it does not exist on the other Controller.</p> <ul style="list-style-type: none"> <li>• Basic data type</li> <li>• Enumeration</li> <li>• Structure</li> <li>• Union</li> <li>• Array</li> </ul>

Value	Error
16#05000000	The specified source variable is one of the following and it does not exist on the other Controller. <ul style="list-style-type: none"> <li>• Enumeration enumerator</li> <li>• Structure member</li> <li>• Union member</li> <li>• Array element</li> </ul>
16#08000000	The requested service does not support.
16#0C008010	The specified source variable is being downloaded.
16#0C008011	
16#11000000	The value of <i>Size</i> exceeds the data size that can currently be read.
16#1F000102	The variable to read is a variable that is not possible to read.
16#1F008007	The inaccessible variable is specified.
16#20008017	The specified source variable is not an array and the number of elements to read is not 1.
16#20008018	The specified source variable is an array and the number of elements to read exceeds the number of elements in the array.
16#26000000	The specified destination variable contains only the NULL character.

## Sample Programming

Refer to *Sample Programming* on page 2-1115 for the CIPOpen instruction.

# CIPWrite

The CIPWrite instruction uses a class 3 explicit message to write the value of a variable in another Controller on a CIP network.

Instruction	Name	FB/ FUN	Graphic expression	ST expression
CIPWrite	Write Variable Class 3 Explicit	FB		CIPWrite_instance(Execute, Handle, DstDat, Size, SrcDat, Done, Busy, Error, ErrorID, ErrorIDEx);

## Variables

	Meaning	I/O	Description	Valid range	Unit	Default
Handle	Handle	Input	Handle obtained with CIPOpen or CIPOpen-WithDataSize instruction	---	---	---
DstDat	Destination variable name		Name of variable to write in another Controller	Depends on data type.		"
Size	Number of elements to write		Number of elements to write	0 to 8,178* <sup>1</sup>		1
SrcDat	Source data		Data value to write	Depends on data type.		* <sup>2</sup>

\*1. The range is 0 to 1980 for an NX502 CPU Unit, NX102 CPU Unit, NX1P2 CPU Unit, and NJ-series CPU Unit.

\*2. If you omit an input parameter, the default value is not applied. A building error will occur.

	Boo lean	Bit strings					Integers							Real num- bers		Times, durations, dates, and text strings				
	BOOL	BYTE	WORD	DWORD	LWORD	USINT	UINT	UDINT	ULINT	SINT	INT	DINT	LINT	REAL	LREAL	TIME	DATE	TOD	DT	STRING
Handle																				
DstDat																				OK
Size							OK													
SrcDat	OK	OK	OK	OK	OK	OK	OK	OK	OK	OK	OK	OK	OK	OK	OK	OK	OK	OK	OK	OK

An enumeration, array\*<sup>1</sup>, structure, structure member, or union member can also be specified.

\*1. You cannot specify a STRING array.

## Function

The CIPWrite instruction writes the value of the network variable specified with destination variable name *DstDat* at another Controller on a CIP network. The other Controller is specified with *Handle*.

The content of source data *SrcDat* is written.

*Size* specifies the number of elements to write.

If *DstDat* is an array, specify the number of elements to write.

If *DstDat* is not an array, always specify 1.

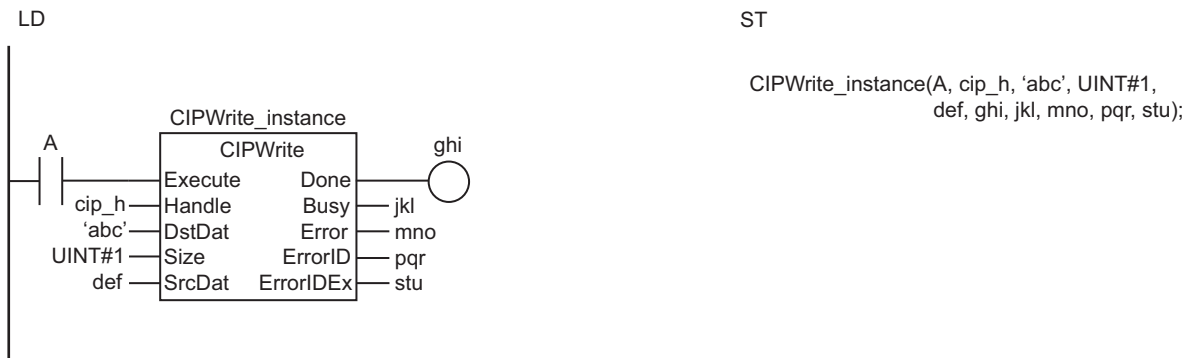
If the value of *Size* is 0, nothing is written regardless of whether *DstDat* is an array or not.

The data type of *Handle* is structure `_sCIP_HANDLE`. The specifications are as follows:

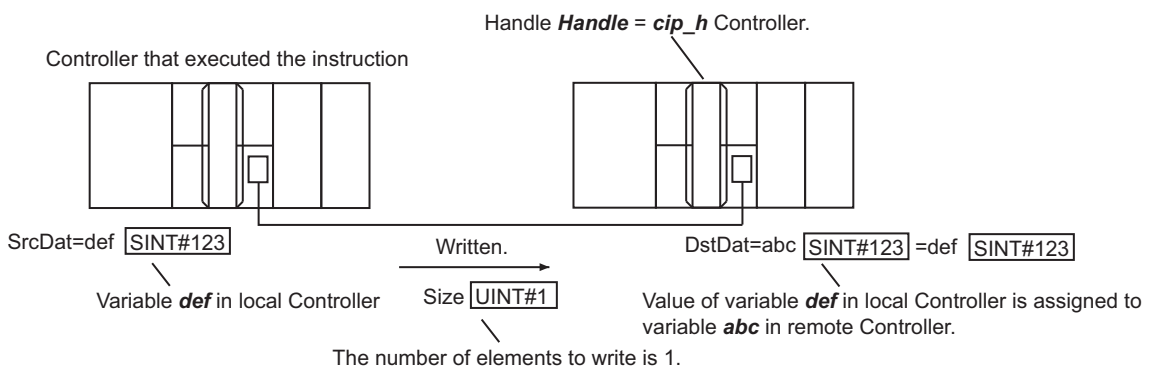
Name	Meaning	Description	Data type	Valid range	Unit	Default
Handle	Handle	Handle	<code>_sCIP_HANDLE</code>	---	---	---
Handle	Handle	Handle	UDINT	Depends on data type.	---	---

If the value of *ErrorID* is `WORD#16#1C00`, the CIP message error code is stored in *ErrorIDEx*.

The following example writes the value of variable *def* from the local Controller to the variable *abc* in the remote Controller. The number of elements to write *Size* is `UINT#1`.



The value of variable *SrcDat* in the local Controller is assigned to variable *DstDat* in the remote Controller on the CIP network specified by the handle *Handle*. *Size* specifies the number of elements to write.

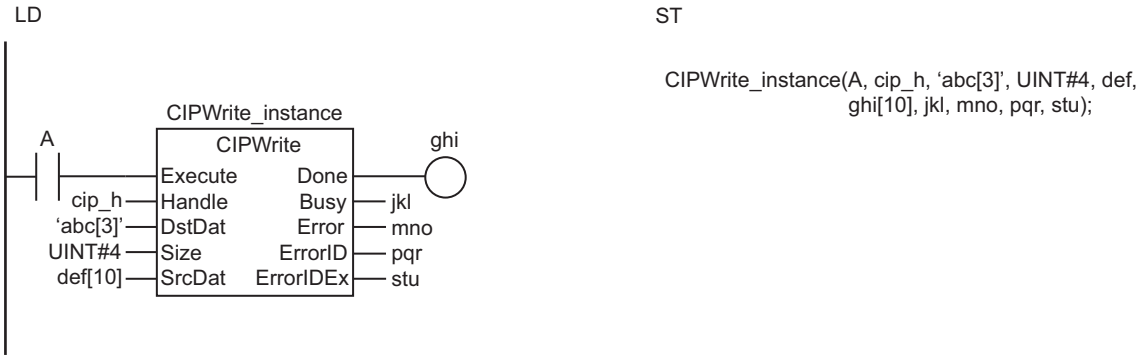


## Writing Arrays

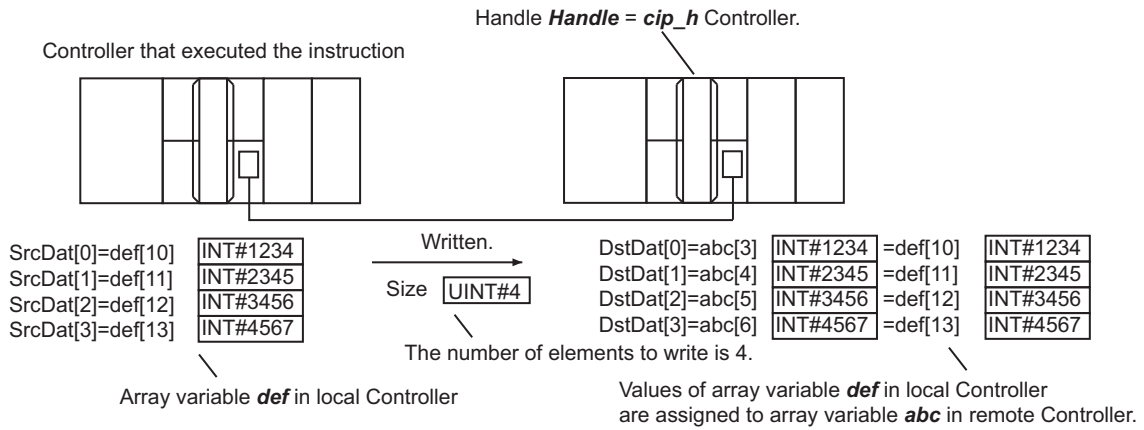
To write array data, pass a subscripted array element to *DstDat* as the parameter. Also pass a subscripted array element to *SrcDat* as the parameter.

The following example stores the contents of array variable elements `def[10]` to `def[13]` in the four array variable elements `abc[3]` to `abc[6]`.





Values of array variable elements **def[10]** to **def[13]** in local Controller are assigned to array variable elements **abc[3]** to **abc[6]** in remote Controller.



## Maximum Write Data Size

The maximum size of the data that you can write depends on the data type and variable name that are specified for *DstDat*, as given in the following table.

Maximum write data size [bytes] = Base size - Size of variable name of *DstDat*

Item in above formula	Meaning
	Connections established with the CIPOpen instruction <ul style="list-style-type: none"> <li>Data type of variable specified for <i>DstDat</i> is a structure: 1,984 bytes</li> <li>Data type of variable specified for <i>DstDat</i> is a STRING: 1,986 bytes</li> <li>Other data types: 1,988 bytes</li> </ul>
Base size	Connections established with the CIPOpenWithDataSize instruction <ul style="list-style-type: none"> <li>Use the following formula when the data type of variable specified for <i>DstDat</i> is a structure: Base size <b>bytes</b> = <i>DataSize</i> in CIPOpenWithDataSize instruction -10</li> <li>Use the following formula when the data type of variable specified for <i>DstDat</i> is a STRING: Base size <b>bytes</b> = <i>DataSize</i> in CIPOpenWithDataSize instruction -8</li> <li>Use the following formula for other data types. Base size <b>bytes</b> = <i>DataSize</i> in CIPOpenWithDataSize instruction -6</li> </ul>

Item in above formula	Meaning
Size of variable name of <i>DstDat</i>	<ul style="list-style-type: none"> <li>The size of the variable name is calculated as the total bytes for the ASCII characters in all structure levels plus two times the number of levels.</li> <li>If the number of bytes of ASCII characters in a level is an odd number, add 1.</li> <li>If a level in the structure is an array, add four times the number of dimensions in the array.</li> <li>Periods and commas in the structure and arrays are not included in the variable name size.</li> </ul> <p>Example 1: When the Variable Name of <i>DstDat</i> Is 'aaa.bbbbb[1,2,3].cc'</p> <ul style="list-style-type: none"> <li>The text string "aaa" in the first level is 3 bytes. It is an odd number, so 1 is added to make 4 bytes.</li> <li>"bbbb" of "bbbb[1,2,3]" in the second level is a 5-byte text string. It is an odd number, so 1 is added to make 6 bytes.</li> <li>Also "bbbb[1,2,3]" is a three-dimensional array, so 3 times 4, or 12, is added to make 18 bytes.</li> <li>The text string "cc" in the third level is 2 bytes. It is an even number, so 2 bytes is used in the calculation.</li> <li>If we add the number of levels 3 times 2, or 6, to 4 bytes for the first level, 18 bytes for the second level, and 2 bytes for the third level, the size of the variable name come to 30 bytes.</li> </ul> <p>Example 2: When the Variable Name of <i>DstDat</i> Is 'val'</p> <ul style="list-style-type: none"> <li>The text string "val" in the first level is 3 bytes. It is an odd number, so 1 is added to make 4 bytes.</li> <li>If we then add the number of levels 1 times 2, or 2, the size of the variable name is 6 bytes.</li> </ul> <p>Example 3: When the Variable Name of <i>DstDat</i> Is 'array[8]'</p> <ul style="list-style-type: none"> <li>The text string "array" in the first level is 5 bytes. It is an odd number, so 1 is added to make 6 bytes.</li> <li>It is a one-dimensional array. Therefore, 1 times 4, or 4, is added.</li> <li>If we then add the number of levels 1 times 2, or 2, the size of the variable name is 12 bytes.</li> </ul>

## Related System-defined Variables

Name	Meaning	Data type	Description
_EIP_EtnOnlineSta <sup>*1</sup>	Online	BOOL	This variable indicates when built-in EtherNet/IP port communications can be used. TRUE: Communications are possible. FALSE: Communications are not possible.
_EIP1_EtnOnlineSta <sup>*2</sup>			
_EIP2_EtnOnlineSta <sup>*3</sup>			

\*1. Use this variable name for an NJ-series CPU Unit.

\*2. Use this variable name for port 1 on an NX-series CPU Unit.  
You can specify \_EIP\_EtnOnlineSta instead of \_EIP1\_EtnOnlineSta.

\*3. Use this variable name for port 2 on an NX-series CPU Unit.

## Additional Information

Refer to the following manuals for details on CIP communications.

- NJ/NX-series CPU Unit Built-in EtherNet/IP Port User's Manual (Cat. No. W506)*
- NX-series EtherNet/IP Unit User's Manual (Cat. No. W627)*
- CJ-series EtherNet/IP Units Operation Manual for NJ-series CPU Unit (Cat. No. W495)*

## Precautions for Correct Use

- Execution of this instruction is continued until completed even if the value of *Execute* changes to FALSE or the execution time exceeds the task period. The value of *Done* changes to TRUE when processing is completed. Use this to confirm normal completion of the execution.
- Refer to *Using this Section* on page 2-3 for a timing chart for *Execute*, *Done*, *Busy*, and *Error*.
- Execute the *CIPOpen* or *CIPOpenWithDataSize* instruction to obtain the value for *Handle* before you execute this instruction.
- Always use a variable for the input parameter to pass to *SrcDat*. A building error will occur if a constant is passed.
- If *SrcDat* is an enumeration, you cannot directly pass it. A building error will occur if an enumerator is passed directly.
- You can use this instruction through a built-in EtherNet/IP port on an NJ/NX-series CPU Unit, through a port on an NX-series EtherNet/IP Unit connected to an NX502 CPU Unit, or through a port on an EtherNet/IP Unit connected to an NJ-series CPU Unit.
- If a variable is written to an OMRON Controller, the variable must be published to the network. Publish the variable to the network in advance.
- You cannot specify an address in memory for CJ-series Units directly to write data. To write specific addresses in memory for CJ-series Units, use an AT specification in advance to assign the memory addresses to a variable.
- You cannot directly specify an address in local memory for CJ-series Units. To write specific addresses in memory for CJ-series Units, use an AT specification in advance to assign the memory addresses to *SrcDat*.
- The characters that can be used in *DstDat* are specified in the following table.

Item	Specification
Maximum number of bytes	127 bytes
Character code	UTF-8
Applicable characters	Alphanumeric characters (not case sensitive), single-byte Katakana, multibyte characters, and '_' (underbars)
Prohibited text strings	<ul style="list-style-type: none"> <li>• Any text string that starts with ASCII characters 0 to 9 (character codes 16#30 to 16#39)</li> <li>• A text string that consists of only a single '_' (underbar) ASCII character</li> <li>• Any text string that includes two or more consecutive '_' (underbar) ASCII characters</li> <li>• Any text string that starts with an '_' (underbar) ASCII character</li> <li>• Any text string that ends with an '_' (underbar) ASCII character</li> <li>• Any text string that starts with 'P_'</li> </ul>

- An error will occur in the following cases. *Error* will change to TRUE.
  - a) The value of *Size* is outside the valid range.
  - b) The text string in *DstDat* is not valid.
  - c) The value of *Size* exceeds the range of *SrcDat*.
  - d) A data type that is not supported was specified for *SrcDat*.
  - e) An error response defined by CIP was returned.
  - f) The value of *Handle.Handle* is outside the valid range.
  - g) More than 32 CIP-related instructions were executed simultaneously.
  - h) The connection that was established with the *CIPOpen* or *CIPOpenWithDataSize* instruction has timed out.

- i) The total of the size in *DstDat* and the value of *SrcDat* exceeded the data size determined by the instruction that established the connection and the data type of the write data.
- For this instruction, expansion error code *ErrorIDEx* gives the CIP message error code. The meanings are as follows:

Value	Error
16#02000000	Normal communications are not possible due to a high load at the remote node.
16#04000000	The specified source variable is one of the following data types and it does not exist on the other Controller. <ul style="list-style-type: none"> <li>• Basic data type</li> <li>• Enumeration</li> <li>• Structure</li> <li>• Union</li> <li>• Array</li> </ul>
16#05000000	The specified source variable is one of the following and it does not exist on the other Controller. <ul style="list-style-type: none"> <li>• Enumeration enumerator</li> <li>• Structure member</li> <li>• Union member</li> <li>• Array element</li> </ul>
16#08000000	The requested service is not supported.
16#0C008010	The specified source variable is being downloaded.
16#0C008011	
16#1F000102	<ul style="list-style-type: none"> <li>• The specified destination variable has a Constant attribute, so it cannot be written.</li> <li>• The write data does not agree with the number of write elements.</li> </ul>
16#1F008007	The inaccessible variable is specified.
16#20008017	The specified destination variable is not an array, and the number of elements to write is not 1.
16#20008018	The specified destination variable is an array, and the number of elements to write exceeds the number of elements in the array.
16#20008022	The data type of server variables is different from that of client variables.
16#20008028	<ul style="list-style-type: none"> <li>• The specified destination variable is an enumeration and the write data is not the value of an enumerator.</li> <li>• The specified destination variable has a Range Specification attribute and the write data is out of the range.</li> </ul>
16#26000000	The specified destination variable contains only the NULL character.

### Sample Programming

Refer to *Sample Programming* on page 2-1115 for the CIPOpen instruction.

# CIPSend

The CIPSend instruction sends a class 3 CIP message to a specified device on a CIP network.

Instruction	Name	FB/ FUN	Graphic expression	ST expression
CIPSend	Send Explicit Message Class 3	FB	<pre> graph LR     subgraph CIPSend_instance [CIPSend_instance]         subgraph CIPSend             Execute --- Done             Handle --- Busy             ServiceCode --- Error             RqPath --- ErrorID             ServiceDat --- ErrorIDEx             Size --- RespSize             RespServiceDat ---          end     end             </pre>	CIPSend_instance(Execute, Handle, ServiceCode, RqPath, ServiceDat, Size, RespServiceDat, Done, Busy, Error, ErrorID, ErrorIDEx, RespSize);

## Variables

	Meaning	I/O	Description	Valid range	Unit	Default
Handle	Handle	Input	Handle obtained with CIPOpen or CIPOpen-WithDataSize instruction	---	---	---
Service-Code	Service code		Service code	Depends on data type.		
RqPath	Request path		Request path	---		
ServiceDat	Service data		Service data to send	Depends on data type.		*1
Size	Number of elements to send		Number of elements to send			1
RespServiceDat	Response data	In-out	Response data	Depends on data type.	---	---
RespSize	Response size	Output	Response data size	Depends on data type.	Bytes	---

\*1. If you omit an input parameter, the default value is not applied. A building error will occur.

	Boo lean	Bit strings					Integers							Real numbers		Times, durations, dates, and text strings				
	BOOL	BYTE	WORD	DWORD	LWORD	USINT	UINT	UDINT	ULINT	SINT	INT	DINT	LINT	REAL	LREAL	TIME	DATE	TOD	DT	STRING
Handle	Refer to <i>Function</i> on page 2-1140 for details on the structure <code>_sCIP_HANDLE</code> .																			
Service-Code		OK																		
RqPath	Structure <code>_sREQUEST_PATH</code> or <code>_sREQUEST_PATH_EX</code> *1. Refer to <i>Data type of RqPath</i> on page 2-1140 for details.																			
ServiceDat		OK	OK	OK	OK	OK	OK	OK	OK	OK	OK	OK	OK	OK						
Size							OK													

	Boo lean	Bit strings					Integers								Real num- bers		Times, durations, dates, and text strings				
	BOOL	BYTE	WORD	DWORD	LWORD	USINT	UINT	UDINT	ULINT	SINT	INT	DINT	LINT	REAL	LREAL	TIME	DATE	TOD	DT	STRING	
RespServi- ceDat		OK	OK	OK	OK	OK	OK	OK	OK	OK	OK	OK	OK	OK	OK						
	An array, structure member, or union member can also be specified.																				
RespSize							OK														

\*1. A CPU Unit with unit version 1.11 or later and Sysmac Studio version 1.15 or higher are required to specify `_sREQUEST_PATH_EX` type.

## Function

The CIPSend instruction sends service data *ServiceDat* for the service specified with service code *ServiceCode* as a class 3 explicit message.

The destination is specified with handle *Handle*.

*RqPath* specifies the request path.

*Size* specifies the number of elements to send.

If *ServiceDat* is an array, specify the number of elements to send.

If *ServiceDat* is not an array, always specify 1.

If no service data is required, set *Size* to 0.

The response data received later is stored in *RespServiceDat*. The number of bytes of the response data is stored in *RespSize*.

The data type of *Handle* is structure `_sCIP_HANDLE`. The specifications are as follows:

Name	Meaning	Description	Data type	Valid range	Unit	Default
Handle	Handle	Handle	<code>_sCIP_HANDLE</code>	---	---	---
Handle	Handle	Handle	UDINT	Depends on data type.	---	---

The data type of *ClassIDLogicalFormat*, *InstanceIDLogicalFormat*, and *AttributeIDLogicalFormat* is enumerated type `_eCIP_LOGICAL_FORMAT`.

The meanings of the enumerators of enumerated type `_eCIP_LOGICAL_FORMAT` are as follows:

Enumerator	Meaning
<code>_8BIT</code>	8 bits
<code>_16BIT</code>	16 bits
<code>_32BIT</code>	32 bits

If the value of *ErrorID* is `WORD#16#1C00`, the CIP message error code is stored in *ErrorIDEx*.

The meaning and values of *ErrorIDEx* depend on the remote node. Refer to the manual for the remote node.

## Data type of *RqPath*

The data type of *RqPath* is structure `_sREQUEST_PATH` or `_sREQUEST_PATH_EX`. Normally, use `_sREQUEST_PATH`.

When you specify any logical format size, use `_sREQUEST_PATH_EX`.

### ● `_sREQUEST_PATH` type

Name	Meaning	Description	Data type	Valid range	Unit	Default
RqPath	Request path	Request path	<code>_sREQUEST_PATH</code>	---	---	---
ClassID	Class ID	Class ID	UINT	Depends on data type.	---	0
InstanceID	Instance ID	Instance ID	UINT			FALSE
isAttributeID	Attribute usage	TRUE:Attribute ID used. FALSE:Attribute ID not used.	BOOL			0
AttributeID	Attribute ID	Attribute ID	UINT			

**Note** The logical format size of each ID in `_sREQUEST_PATH` type is 16 bits.

### ● `_sREQUEST_PATH_EX` type

Name	Meaning	Description	Data type	Valid range	Unit	Default
RqPath	Request path	Request path	<code>_sREQUEST_PATH_EX</code>	---	---	---
ClassIDLogicalFormat	Class ID logical format	Class ID data size	<code>_eCIP_LOGICAL_FORMAT</code>	Depends on data type.	---	<code>_8BIT</code>
ClassID	Class ID	Class ID	UDINT			0
InstanceIDLogicalFormat	Instance ID logical format	Instance ID data size	<code>_eCIP_LOGICAL_FORMAT</code>			<code>_8BIT</code>
InstanceID	Instance ID	Instance ID	UDINT			0
isAttributeID	Attribute usage	TRUE:Attribute ID used. FALSE:Attribute ID not used.	BOOL			FALSE
AttributeIDLogicalFormat	Attribute ID logical format	Attribute ID data size	<code>_eCIP_LOGICAL_FORMAT</code>			<code>_8BIT</code>
AttributeID	Attribute ID	Attribute ID	UDINT			0

## Sending and Receiving Arrays

If *ServiceDat* or *RespServiceDat* is an array, pass a subscripted array element to it as the parameter.

## Maximum Read/Write Data Size

The maximum size of the data that you can read depends on whether the connection was opened with the `CIPOpen` instruction or the `CIPOpenWithDataSize` instruction as shown in the following table.

Instruction that opened the connection	Maximum size of data that you can read
CIPOpen	1,990 bytes
CIPOpenWithDataSize	Up to 8,188 bytes* <sup>1</sup> of response data from the server can be received.

\*1. The range is up to 1990 for an NX502 CPU Unit, NX102 CPU Unit, NX1P2 CPU Unit, and NJ-series CPU Unit.

The maximum size of the data that you can write depends on whether there is a request path attribute and the instruction that established the connection, as given below.

Maximum write data size [bytes] = Base size - Attribute usage

Item in above formula	Meaning
Base size	<ul style="list-style-type: none"> <li>Connection established with the CIPOpen instruction: 1,992 bytes</li> <li>Connection established with the CIPOpenWithDataSize instruction: <i>DataSize</i> for the CIPOpenWithDataSize instruction - 2</li> </ul>
Attribute usage* <sup>1</sup>	<ul style="list-style-type: none"> <li>Attribute ID used: 14 bytes</li> <li>Attribute ID not used: 10 bytes</li> </ul>

\*1. With a CPU Unit with unit version 1.10 or earlier or Sysmac Studio version 1.14 or lower, the values are as follows:

Attribute ID used: 12 bytes

Attribute ID not used: 8 bytes

## Related System-defined Variables

Name	Meaning	Data type	Description
_EIP_EtnOnlineSta* <sup>1</sup>	Online	BOOL	This variable indicates when built-in EtherNet/IP port communications can be used. TRUE: Communications are possible. FALSE: Communications are not possible.
_EIP1_EtnOnlineSta* <sup>2</sup>			
_EIP2_EtnOnlineSta* <sup>3</sup>			

\*1. Use this variable name for an NJ-series CPU Unit.

\*2. Use this variable name for port 1 on an NX-series CPU Unit.  
You can specify \_EIP\_EtnOnlineSta instead of \_EIP1\_EtnOnlineSta.

\*3. Use this variable name for port 2 on an NX-series CPU Unit.

## Additional Information

Refer to the following manuals for details on CIP communications.

- *NJ/NX-series CPU Unit Built-in EtherNet/IP Port User's Manual (Cat. No. W506)*
- *NX-series EtherNet/IP Unit User's Manual (Cat. No. W627)*
- *CJ-series EtherNet/IP Units Operation Manual for NJ-series CPU Unit (Cat. No. W495)*

## Precautions for Correct Use

- Execution of this instruction is continued until completed even if the value of *Execute* changes to FALSE or the execution time exceeds the task period. The value of *Done* changes to TRUE when processing is completed. Use this to confirm normal completion of the execution.
- Refer to *Using this Section* on page 2-3 for a timing chart for *Execute*, *Done*, *Busy*, and *Error*.
- Execute the CIPOpen or CIPOpenWithDataSize instruction to obtain the value for *Handle* before you execute this instruction.



- Always use a variable for the input parameter to pass to *ServiceDat*. A building error will occur if a constant is passed.
- You can use this instruction through a built-in EtherNet/IP port on an NJ/NX-series CPU Unit, through a port on an NX-series EtherNet/IP Unit connected to an NX502 CPU Unit, or through a port on an EtherNet/IP Unit connected to an NJ-series CPU Unit.
- If a variable is written to an OMRON Controller, the variable must be published to the network. Publish the variable to the network in advance.
- An error will occur in the following cases. *Error* will change to TRUE.
  - a) A value that is outside the valid range is set for *RqPath.ClassIDLogicalFormat* or *RqPath.AttributeIDLogicalFormat*.
  - b) A mismatch occurred between the following two variables: the size specified for *RqPath.ClassIDLogicalFormat* and the data size of *RqPath.ClassID*, the size specified for *RqPath.InstanceIDLogicalFormat* and the data size of *RqPath.InstanceID*, or the size specified for *RqPath.AttributeIDLogicalFormat* and the data size of *RqPath.AttributeID*.
  - c) The value of *Size* exceeds the write data range.
  - d) The value of *Size* exceeds the range of *ServiceDat*.
  - e) The value of *RespSize* exceeds the range of *RespServiceDat*.
  - f) A data type that is not supported was specified for *ServiceDat*.
  - g) A data type that is not supported was specified for *RespServiceDat*.
  - h) A variable which has any data type other than *\_sREQUEST\_PATH* or *\_sREQUEST\_PATH\_EX* is specified for *RqPath*.
  - i) An error response defined by CIP was returned.
  - j) The value of *Handle.Handle* is outside the valid range.
  - k) More than 32 CIP-related instructions were executed simultaneously.
  - l) The connection that was established with the *CIPOpen* or *CIPOpenWithDataSize* instruction has timed out.
  - m) The total of the sizes of *RqPath* and *ServiceDat* exceeded the data size determined by the instruction that established the connection.

## Sample Programming

Refer to *Sample Programming* on page 2-1115 for the *CIPOpen* instruction.

# CIPClose

The CIPClose instruction closes the CIP class 3 connection to the specified handle.

Instruction	Name	FB/ FUN	Graphic expression	ST expression
CIPClose	Close CIP Class 3 Connection	FB		CIPClose_instance(Execute, Handle, Done, Busy, Error, ErrorID, ErrorIDEx);

## Variables

	Meaning	I/O	Description	Valid range	Unit	Default
Handle	Handle	Input	Handle obtained with CIPOpen or CIPOpen-WithDataSize instruction	---	---	---

	Boo lean	Bit strings				Integers							Real numbers		Times, durations, dates, and text strings					
	BOOL	BYTE	WORD	DWORD	LWORD	USINT	UINT	UDINT	ULINT	SINT	INT	DINT	LINT	REAL	LREAL	TIME	DATE	TOD	DT	STRING
Handle	Refer to <i>Function</i> on page 2-1144 for details on the structure <code>_sCIP_HANDLE</code> .																			

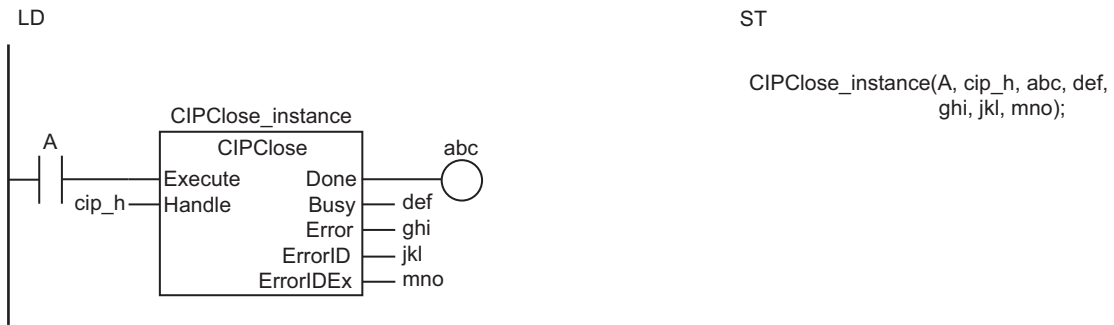
## Function

The CIPClose instruction closes the CIP class 3 connection specified with the handle *Handle*.

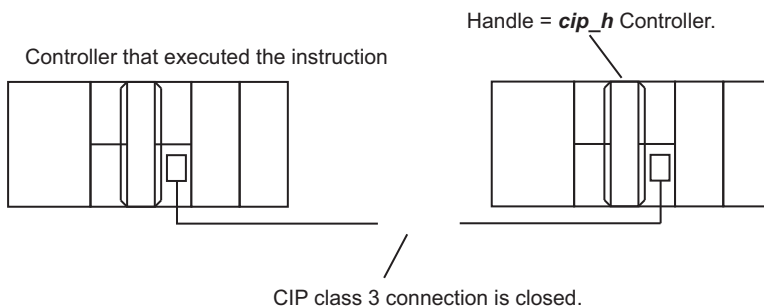
The data type of *Handle* is structure `_sCIP_HANDLE`. The specifications are as follows:

Name	Meaning	Description	Data type	Valid range	Unit	Default
Handle	Handle	Handle	<code>_sCIP_HANDLE</code>	---	---	---
Handle	Handle	Handle	UDINT	Depends on data type.	---	---

The following figure shows a programming example. The CIPClose instruction closes the CIP class 3 connection specified with *Handle* (= `cip_h`).



The CIPClose instruction closes the CIP class 3 connection specified with **Handle**.



## Related System-defined Variables

Name	Meaning	Data type	Description
<code>_EIP_EtnOnlineSta</code> <sup>*1</sup>	Online	BOOL	This variable indicates when built-in EtherNet/IP port communications can be used. TRUE: Communications are possible. FALSE: Communications are not possible.
<code>_EIP1_EtnOnlineSta</code> <sup>*2</sup>			
<code>_EIP2_EtnOnlineSta</code> <sup>*3</sup>			

\*1. Use this variable name for an NJ-series CPU Unit.

\*2. Use this variable name for port 1 on an NX-series CPU Unit.  
You can specify `_EIP_EtnOnlineSta` instead of `_EIP1_EtnOnlineSta`.

\*3. Use this variable name for port 2 on an NX-series CPU Unit.

## Additional Information

Refer to the following manuals for details on CIP communications.

- *NJ/NX-series CPU Unit Built-in EtherNet/IP Port User's Manual (Cat. No. W506)*
- *NX-series EtherNet/IP Unit User's Manual (Cat. No. W627)*
- *CJ-series EtherNet/IP Units Operation Manual for NJ-series CPU Unit (Cat. No. W495)*

## Precautions for Correct Use

- Execution of this instruction is continued until completed even if the value of *Execute* changes to FALSE or the execution time exceeds the task period. The value of *Done* changes to TRUE when processing is completed. Use this to confirm normal completion of the execution.
- Refer to *Using this Section* on page 2-3 for a timing chart for *Execute*, *Done*, *Busy*, and *Error*.
- Specify the handle that was obtained with the *CIPOpen* or *CIPOpenWithDataSize* instruction for *Handle*.

- You can use this instruction through a built-in EtherNet/IP port on an NJ/NX-series CPU Unit, through a port on an NX-series EtherNet/IP Unit connected to an NX502 CPU Unit, or through a port on an EtherNet/IP Unit connected to an NJ-series CPU Unit.
- This instruction does not use *ErrorIDEx*.
- An error will occur in the following cases. *Error* will change to TRUE.
  - a) The value of *Handle.Handle* is outside the valid range.
  - b) More than 32 CIP-related instructions were executed simultaneously.

### Sample Programming

Refer to *Sample Programming* on page 2-1115 for the CIPOpen instruction.

# CIPUCMMRead

The CIPUCMMRead instruction uses a UCMM explicit message to read the value of a variable in another Controller on the specified CIP network.

Instruction	Name	FB/ FUN	Graphic expression	ST expression
CIPUCMM- Read	Read Variable UCMM Explicit	FB		CIPUCMMRead_instance(Execute, RoutePath, TimeOut, SrcDat, Size, DstDat, Done, Busy, Error, ErrorID, ErrorIDEx, RcvSize);

## Variables

	Meaning	I/O	Description	Valid range	Unit	Default
RoutePath	Route path	Input	Route path	Depends on data type.	---	---
TimeOut	Timeout time		Timeout time	1 to 65535	0.1 s	20 (2 s)
SrcDat	Source variable name		Name of variable to read in other Controller	Depends on data type.	---	"
Size	Number of elements to read		Number of elements to read	0 to 496	---	1
DstDat	Read data	In-out	Read data value	Depends on data type.	---	---
RcvSize	Read data size	Output	Read data size	0 to 496	Bytes	---

	Boo lean	Bit strings					Integers							Real num bers		Times, durations, dates, and text strings					
	BOOL	BYTE	WORD	DWORD	LWORD	USINT	UINT	UDINT	ULINT	SINT	INT	DINT	LINT	REAL	LREAL	TIME	DATE	TOD	DT	STRING	
RoutePath																				OK	
TimeOut							OK														
SrcDat																				OK	
Size							OK														
DstDat	OK	OK	OK	OK	OK	OK	OK	OK	OK	OK	OK	OK	OK	OK	OK	OK	OK	OK	OK	OK	
	An enumeration, array, structure, structure member, or union member can also be specified.*1																				
RcvSize							OK														

\*1. You cannot specify a STRING array.

## Function

The CIPUCMMRead instruction reads the value of the network variable specified with source variable name *SrcDat* from another Controller on a CIP network. The other Controller is specified with route path *RoutePath*.

The read data value is stored in *DstDat*.

*Size* specifies the number of elements to read.

If *SrcDat* is an array, specify the number of elements to read.

If *SrcDat* is not an array, always specify 1.

If the value of *Size* is 0, nothing is read regardless of whether *SrcDat* is an array or not.

When the read operation is completed, the number of bytes of the data that was read is assigned to read data size *RcvSize*. The maximum size of the data that you can read depends on the data type of the variable as follows:

- Structure: 492 bytes
- STRING: 494 bytes
- Other data types: 496 bytes

*TimeOut* specifies the timeout time. If a response does not return within the timeout time, it is assumed that communications failed.

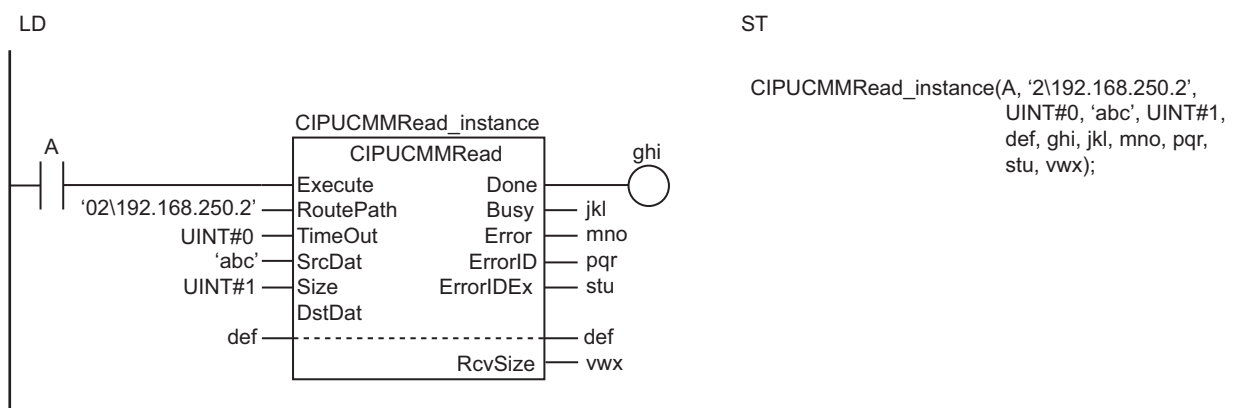
If the value of *ErrorID* is WORD#16#1C00, the CIP message error code is stored in *ErrorIDEx*.

In the following example, the value of variable *abc* in the remote Controller is read and stored in the variable *def* in the local Controller.

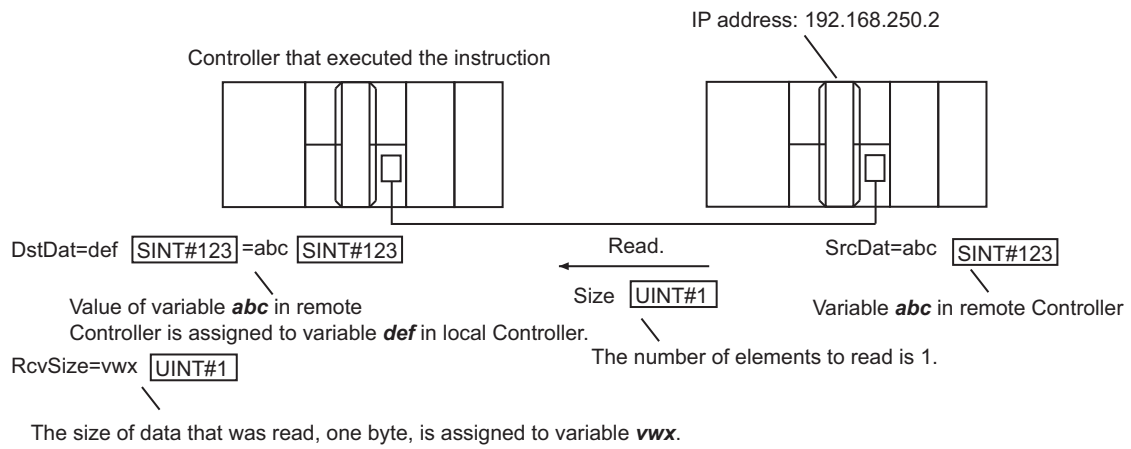
The number of elements to read *Size* is UINT#1.

The data type of *abc* and *def* is SINT.

The size of SINT data is one byte, so the value of the read data size *vwx* is UINT#1.



Value of variable **SrcDat** in remote Controller on the CIP network specified by the route path **RoutePath** is assigned to variable **DstDat** in local Controller. **Size** specifies the number of elements to read. The size of data that was read is assigned to **RcvSize**.



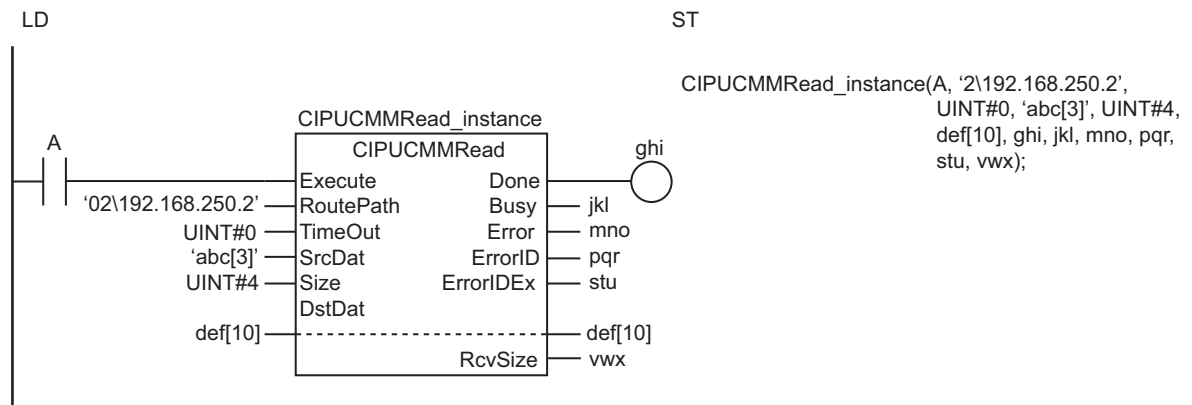
## Reading Arrays

To read array data, pass a subscripted array element to **SrcDat** as the parameter. Also pass a subscripted array element to **DstDat** as the parameter.

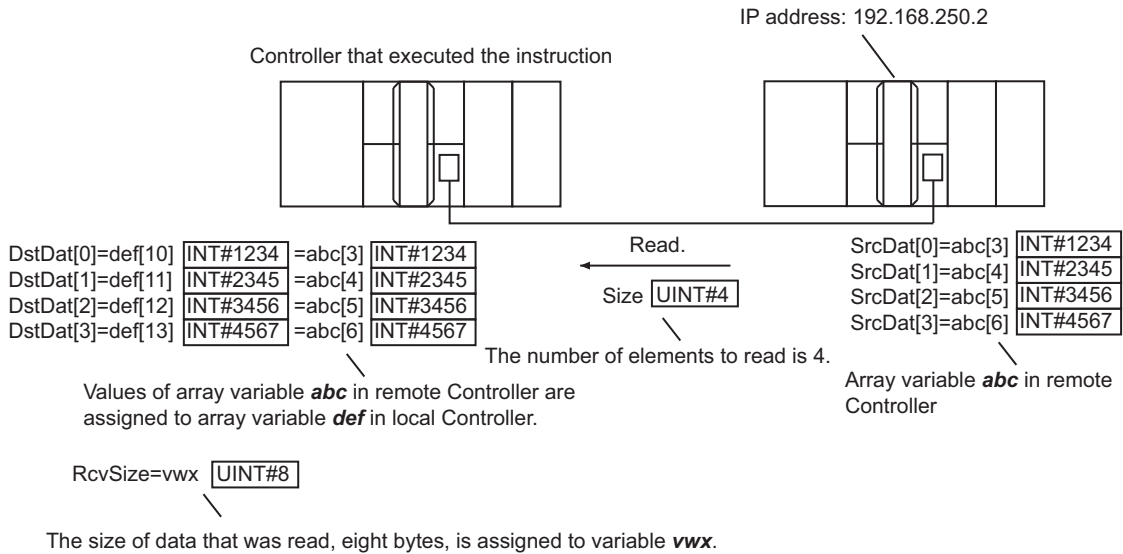
The following example reads the four array variable elements `abc[3]` to `abc[6]` from the remote Controller and stores the results in array variable elements `def[10]` to `def[13]` in the local Controller.

The data type of `abc` and `def` is INT.

The size of INT data is two bytes, so the value of the read data size `vwx` is `UINT#8`.



Values of array variable elements **abc[3]** to **abc[6]** in remote Controller are assigned to array variable elements **def[10]** to **def[13]** in local Controller.



### Related System-defined Variables

Name	Meaning	Data type	Description
<code>_EIP_EtnOnlineSta</code> *1	Online	BOOL	This variable indicates when built-in EtherNet/IP port communications can be used. TRUE: Communications are possible. FALSE: Communications are not possible.
<code>_EIP1_EtnOnlineSta</code> *2			
<code>_EIP2_EtnOnlineSta</code> *3			

- \*1. Use this variable name for an NJ-series CPU Unit.
- \*2. Use this variable name for port 1 on an NX-series CPU Unit.  
You can specify `_EIP_EtnOnlineSta` instead of `_EIP1_EtnOnlineSta`.
- \*3. Use this variable name for port 2 on an NX-series CPU Unit.

### Additional Information

Refer to the following manuals for details on CIP communications.

- *NJ/NX-series CPU Unit Built-in EtherNet/IP Port User's Manual (Cat. No. W506)*
- *NX-series EtherNet/IP Unit User's Manual (Cat. No. W627)*
- *CJ-series EtherNet/IP Units Operation Manual for NJ-series CPU Unit (Cat. No. W495)*

### Precautions for Correct Use

- Execution of this instruction is continued until completed even if the value of *Execute* changes to FALSE or the execution time exceeds the task period. The value of *Done* changes to TRUE when processing is completed. Use this to confirm normal completion of the execution.
- Refer to *Using this Section* on page 2-3 for a timing chart for *Execute*, *Done*, *Busy*, and *Error*.
- You can use this instruction through a built-in EtherNet/IP port on an NJ/NX-series CPU Unit, or through a port on an NX-series EtherNet/IP Unit connected to an NX502 CPU Unit.
- If a variable is read from an OMRON Controller, the variable must be published to the network. Publish the variable to the network in advance.



- You cannot specify an address in memory for CJ-series Units directly to read data. To read specific addresses in memory for CJ-series Units, use an AT specification in advance to assign the memory addresses to a variable.
- You cannot specify an address in local memory for CJ-series Units directly to store data. To store data in specific addresses in memory for CJ-series Units, use an AT specification in advance to assign the memory addresses to *DstDat*.
- The characters that can be used in *SrcDat* are specified in the following table.

Item	Specification
Maximum number of bytes	127 bytes
Character code	UTF-8
Applicable characters	Alphanumeric characters (not case sensitive), single-byte Katakana, multibyte characters, and '_' (underbars)
Prohibited text strings	<ul style="list-style-type: none"> <li>• Any text string that starts with ASCII characters 0 to 9 (character codes 16#30 to 16#39)</li> <li>• A text string that consists of only a single '_' (underbar) ASCII character</li> <li>• Any text string that includes two or more consecutive '_' (underbar) ASCII characters</li> <li>• Any text string that starts with an '_' (underbar) ASCII character</li> <li>• Any text string that ends with an '_' (underbar) ASCII character</li> <li>• Any text string that starts with 'P_'</li> </ul>

- An error will occur in the following cases. *Error* will change to TRUE.
  - a) The value of *TimeOut* is outside the valid range.
  - b) The value of *Size* is outside the valid range.
  - c) The text string in *SrcDat* is not valid.
  - d) The data type of the value that was read does not agree with the data type of *DstDat*.
  - e) The size of data that was read exceeds the range of *DstDat*.
  - f) A data type that is not supported was specified for *DstDat*.
  - g) An error response defined by CIP was returned.
  - h) The text string in *RoutePath* is not valid.
  - i) More than 32 CIP-related instructions were executed simultaneously.
  - j) A response was not received even though the timeout time was exceeded.
  - k) There is a setting error for the local IP address.
  - l) The instruction was executed when there was a BOOTP server error.
  - m) A duplicated IP error occurred.
- For this instruction, expansion error code *ErrorIDEx* gives the CIP message error code. The meanings are as follows:

Value	Error
16#02000000	Normal communications are not possible due to a high load at the remote node.
16#04000000	<p>The specified source variable is one of the following data types and it does not exist on the other Controller.</p> <ul style="list-style-type: none"> <li>• Basic data type</li> <li>• Enumeration</li> <li>• Structure</li> <li>• Union</li> <li>• Array</li> </ul>

Value	Error
16#05000000	The specified source variable is one of the following and it does not exist on the other Controller. <ul style="list-style-type: none"> <li>• Enumeration enumerator</li> <li>• Structure member</li> <li>• Union member</li> <li>• Array element</li> </ul>
16#08000000	The requested service does not support.
16#0C008010	The specified source variable is being downloaded.
16#0C008011	
16#11000000	The value of <i>Size</i> exceeds the data size that can currently be read.
16#1F000102	The variable to read is a variable that is not possible to read.
16#1F008007	The inaccessible variable is specified.
16#20008017	The specified source variable is not an array and the number of elements to read is not 1.
16#20008018	The specified source variable is an array and the number of elements to read exceeds the number of elements in the array.
16#26000000	The specified destination variable contains only the NULL character.

## Sample Programming

Refer to *Sample Programming* on page 2-1165 for the CIPUCMMSend instruction.

# CIPUCMMWrite

The CIPUCMMWrite instruction uses a UCMM explicit message to write the value of a variable in another Controller on a CIP network.

Instruction	Name	FB/ FUN	Graphic expression	ST expression
CIPUCMM- Write	Write Variable UCMM Explicit	FB		CIPUCMMWrite_instance(Execute, RoutePath, TimeOut, DstDat, Size, SrcDat, Done, Busy, Error, ErrorID, ErrorIDEx);

## Variables

	Meaning	I/O	Description	Valid range	Unit	Default
RoutePath	Route path	Input	Route path	Depends on data type.	---	---
TimeOut	Timeout time		Timeout time	1 to 65535	0.1 s	20 (2 s)
DstDat	Destination variable name		Name of variable to write in another Controller	Depends on data type.	---	"
Size	Number of elements to write		Number of elements to write	0 to 488	---	1
SrcDat	Source data		Data value to write	Depends on data type.	---	*1

\*1. If you omit an input parameter, the default value is not applied. A building error will occur.

	Boolean	Bit strings					Integers							Real numbers		Times, durations, dates, and text strings					
	BOOL	BYTE	WORD	DWORD	LWORD	USINT	UINT	UDINT	ULINT	SINT	INT	DINT	LINT	REAL	LREAL	TIME	DATE	TOD	DT	STRING	
RoutePath																				OK	
TimeOut							OK														
DstDat																				OK	
Size							OK														
SrcDat	OK	OK	OK	OK	OK	OK	OK	OK	OK	OK	OK	OK	OK	OK	OK	OK	OK	OK	OK	OK	

An enumeration, array\*<sup>1</sup>, structure, structure member, or union member can also be specified.

\*1. You cannot specify a STRING array.

## Function

The CIPUCMMWrite instruction writes the value of the network variable specified with destination variable name *DstDat* at another Controller on a CIP network. The other Controller is specified with route path *RoutePath*.

The content of source data *SrcDat* is written.

*Size* specifies the number of elements to write.

If *DstDat* is an array, specify the number of elements to write.

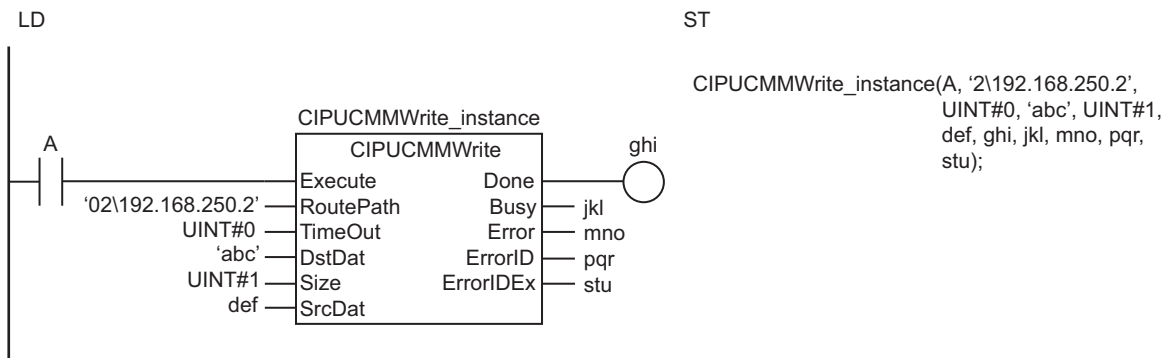
If *DstDat* is not an array, always specify 1.

If the value of *Size* is 0, nothing is written regardless of whether *DstDat* is an array or not.

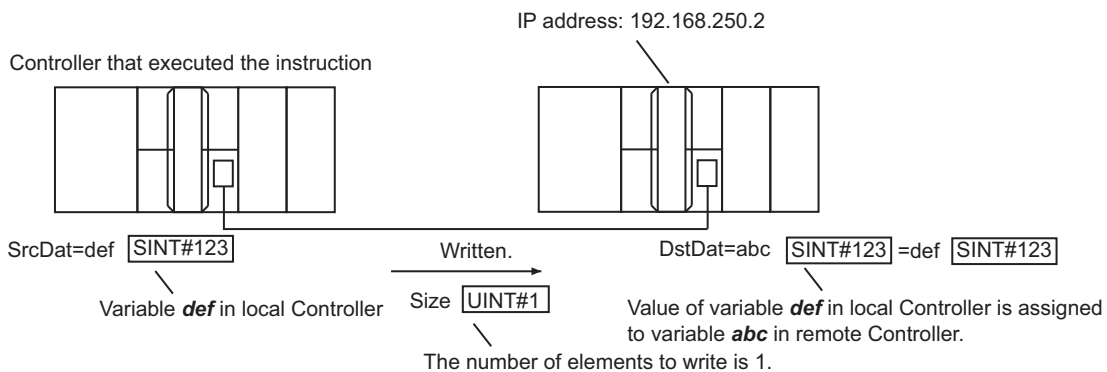
*TimeOut* specifies the timeout time. If a response does not return within the timeout time, it is assumed that communications failed.

If the value of *ErrorID* is WORD#16#1C00, the CIP message error code is stored in *ErrorIDEx*.

The following example writes the value of variable *def* from the local Controller to the variable *abc* in the remote Controller. The number of elements to write *Size* is UINT#1.



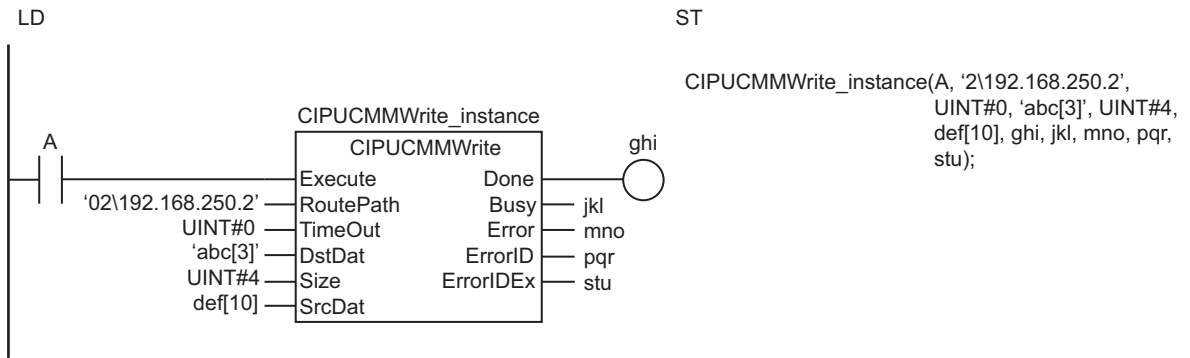
Value of variable **SrcDat** in local Controller is assigned to variable **DstDat** in remote Controller on the CIP network specified by the route path **RoutePath**. **Size** specifies the number of elements to write.



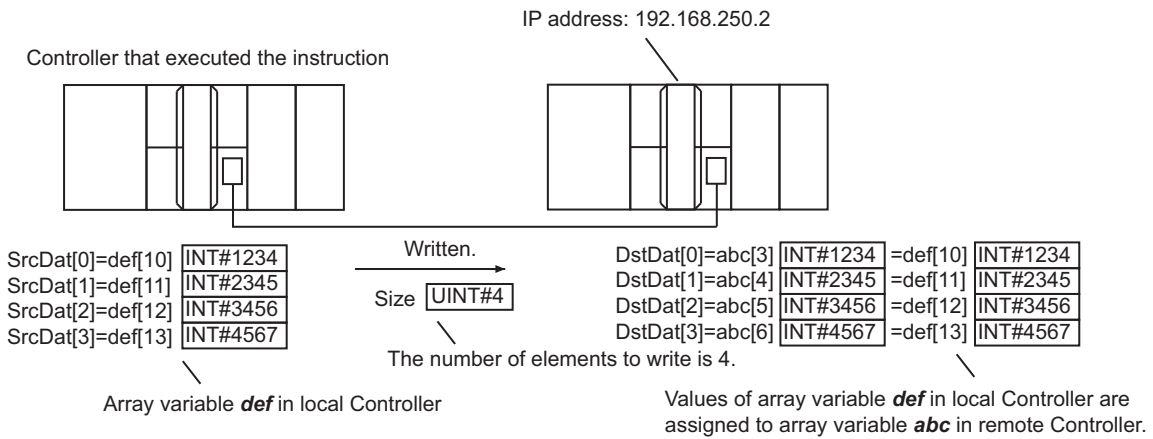
## Writing Arrays

To write array data, pass a subscripted array element to *DstDat* as the parameter. Also pass a subscripted array element to *SrcDat* as the parameter.

The following example stores the contents of array variable elements *def*[10] to *def*[13] in the four array variable elements *abc*[3] to *abc*[6].



Values of array variable elements **def[10]** to **def[13]** in local Controller are assigned to array variable elements **abc[3]** to **abc[6]** in remote Controller.



## Maximum Write Data Size

The maximum size of the data that you can write depends on the data type and variable name that are specified for *DstDat* and the route path, as given in the following table.

Maximum write data size [bytes] = Base size - Size of variable name of *DstDat* - Path information size

Item in above formula	Meaning
Base size	<ul style="list-style-type: none"> <li>Data type of variable specified for <i>DstDat</i> is a structure: 492 bytes</li> <li>Data type of variable specified for <i>DstDat</i> is a STRING: 494 bytes</li> <li>Other data types: 496 bytes</li> </ul>

Item in above formula	Meaning
<p>Size of variable name of <i>DstDat</i></p>	<ul style="list-style-type: none"> <li>• The size of the variable name is calculated as the total bytes for the ASCII characters in all structure levels plus two times the number of levels.</li> <li>• If the number of bytes of ASCII characters in a level is an odd number, add 1.</li> <li>• If a level in the structure is an array, add four times the number of dimensions in the array.</li> <li>• Periods and commas in the structure and arrays are not included in the variable name size.</li> </ul> <p>Example 1: When the Variable Name of <i>DstDat</i> Is 'aaa.bbbbb[1,2,3].cc'</p> <ul style="list-style-type: none"> <li>• The text string "aaa" in the first level is 3 bytes. It is an odd number, so 1 is added to make 4 bytes.</li> <li>• "bbbb" of "bbbb[1,2,3]" in the second level is a 5-byte text string. It is an odd number, so 1 is added to make 6 bytes.</li> <li>• Also "bbbb[1,2,3]" is a three-dimensional array, so 3 times 4, or 12, is added to make 18 bytes.</li> <li>• The text string "cc" in the third level is 2 bytes. It is an even number, so 2 bytes is used in the calculation.</li> <li>• If we add the number of levels 3 times 2, or 6, to 4 bytes for the first level, 18 bytes for the second level, and 2 bytes for the third level, the size of the variable name come to 30 bytes.</li> </ul> <p>Example 2: When the Variable Name of <i>DstDat</i> Is 'val'</p> <ul style="list-style-type: none"> <li>• The text string "val" in the first level is 3 bytes. It is an odd number, so 1 is added to make 4 bytes.</li> <li>• If we then add the number of levels 1 times 2, or 2, the size of the variable name is 6 bytes.</li> </ul> <p>Example 3: When the Variable Name of <i>DstDat</i> Is 'array[8]'</p> <ul style="list-style-type: none"> <li>• The text string "array" in the first level is 5 bytes. It is an odd number, so 1 is added to make 6 bytes.</li> <li>• It is a one-dimensional array. Therefore, 1 times 4, or 4, is added.</li> <li>• If we then add the number of levels 1 times 2, or 2, the size of the variable name is 12 bytes.</li> </ul>

Item in above formula	Meaning
Path information size	<ul style="list-style-type: none"> <li>• If there are no hops, the path information size is 0 bytes. *1</li> <li>• If there are hops, the path information size is the route path size plus 12 bytes.</li> <li>• The route path size is the bytes size of the ASCII characters in the route path.</li> <li>• However, the following precautions apply.               <ol style="list-style-type: none"> <li>a) If the address portion starts with "#", calculate the network and address portions as a total of 2 bytes.</li> <li>b) If the address portion does not start with "#", calculate the network portion as 2 bytes.</li> <li>c) If the address portion does not start with "#" and the number of bytes in the ASCII characters for the address portion is an odd number, add 1 byte.</li> <li>d) Do not include the level separator, "\", between levels of the route path in the route path size.</li> <li>e) Do not include the first hop in the route path size.</li> </ol> </li> </ul> <p>Example 1: When the Route Path Is '01#11\02\192.168.250.2\01#01'</p> <ul style="list-style-type: none"> <li>• The first hop in the route path size is not included, so ignore "01#11" at the start of the path.</li> <li>• The network type is "02", so use 2 bytes in the calculation.</li> <li>• The address portion is "192.168.250.2", so use 13 bytes in the calculation. It is an odd number, so 1 is added to make 14 bytes.</li> <li>• For the following "01#01", the address portion starts with "#", so the network and address portions are calculated as a total of 2 bytes.</li> <li>• If you add all of the above sizes, the size of the route path is 18 bytes.</li> <li>• If we then add 12 bytes to the route path size, the path information size is 30 bytes.</li> </ul> <p>Example 2: When the Route Path Is '02\192.168.250.2\01#00'</p> <ul style="list-style-type: none"> <li>• The first hop in the route path size is not included, so ignore "02\192.168.250.2" at the start of the path.</li> <li>• For the following "01#00", the address portion starts with "#", so the network and address portions are calculated as a total of 2 bytes.</li> <li>• Therefore, the size of the route path is 2 bytes.</li> <li>• If we then add 12 bytes to the route path size, the path information size is 14 bytes.</li> </ul> <p>Example 3: When the Route Path Is '02\192.168.250.2'</p> <ul style="list-style-type: none"> <li>• If there are no hops, the path information size is 0 bytes.</li> </ul>

- \*1. A hop is routing between the sending node and receiving node. For example, if the route path is '02\192.168.250.2\01#00', the message is first routed to the node with an IP address of 192.168.250.2 to send the message to unit address 00. This involves one hop.

## Related System-defined Variables

Name	Meaning	Data type	Description
_EIP_EtnOnlineSta*1	Online	BOOL	This variable indicates when built-in EtherNet/IP port communications can be used. TRUE: Communications are possible. FALSE: Communications are not possible.
_EIP1_EtnOnlineSta*2			
_EIP2_EtnOnlineSta*3			

\*1. Use this variable name for an NJ-series CPU Unit.

\*2. Use this variable name for port 1 on an NX-series CPU Unit.  
You can specify \_EIP\_EtnOnlineSta instead of \_EIP1\_EtnOnlineSta.

\*3. Use this variable name for port 2 on an NX-series CPU Unit.

## Additional Information

Refer to the following manuals for details on CIP communications.

- *NJ/NX-series CPU Unit Built-in EtherNet/IP Port User's Manual (Cat. No. W506)*
- *NX-series EtherNet/IP Unit User's Manual (Cat. No. W627)*
- *CJ-series EtherNet/IP Units Operation Manual for NJ-series CPU Unit (Cat. No. W495)*

## Precautions for Correct Use

- Execution of this instruction is continued until completed even if the value of *Execute* changes to FALSE or the execution time exceeds the task period. The value of *Done* changes to TRUE when processing is completed. Use this to confirm normal completion of the execution.
- Refer to *Using this Section* on page 2-3 for a timing chart for *Execute*, *Done*, *Busy*, and *Error*.
- Always use a variable for the input parameter to pass to *SrcDat*. A building error will occur if a constant is passed.
- If *SrcDat* is an enumeration, you cannot directly pass it. A building error will occur if an enumerator is passed directly.
- You can use this instruction through a built-in EtherNet/IP port on an NJ/NX-series CPU Unit, through a port on an NX-series EtherNet/IP Unit connected to an NX502 CPU Unit, or through a port on an EtherNet/IP Unit connected to an NJ-series CPU Unit.
- If a variable is written to an OMRON Controller, the variable must be published to the network. Publish the variable to the network in advance.
- You cannot specify an address in memory for CJ-series Units directly to write data. To write specific addresses in memory for CJ-series Units, use an AT specification in advance to assign the memory addresses to a variable.
- You cannot directly specify an address in local memory for CJ-series Units. To write specific addresses in memory for CJ-series Units, use an AT specification in advance to assign the memory addresses to *SrcDat*.
- The characters that can be used in *DstDat* are specified in the following table.

Item	Specification
Maximum number of bytes	127 bytes
Character code	UTF-8
Applicable characters	Alphanumeric characters (not case sensitive), single-byte Katakana, multibyte characters, and '_' (underbars)
Prohibited text strings	<ul style="list-style-type: none"> <li>• Any text string that starts with ASCII characters 0 to 9 (character codes 16#30 to 16#39)</li> <li>• A text string that consists of only a single '_' (underbar) ASCII character</li> <li>• Any text string that includes two or more consecutive '_' (underbar) ASCII characters</li> <li>• Any text string that starts with an '_' (underbar) ASCII character</li> <li>• Any text string that ends with an '_' (underbar) ASCII character</li> <li>• Any text string that starts with 'P_'</li> </ul>

- An error will occur in the following cases. *Error* will change to TRUE.
  - a) The value of *TimeOut* is outside the valid range.
  - b) The value of *Size* is outside the valid range.
  - c) The text string in *DstDat* is not valid.
  - d) The value of *Size* exceeds the range of *SrcDat*.
  - e) A data type that is not supported was specified for *SrcDat*.



- f) An error response defined by CIP was returned.
  - g) The text string in *RoutePath* is not valid.
  - h) More than 32 CIP-related instructions were executed simultaneously.
  - i) A response was not received even though the timeout time was exceeded.
  - j) There is a setting error for the local IP address.
  - k) A duplicated IP error occurred.
- For this instruction, expansion error code *ErrorIDEx* gives the CIP message error code. The meanings are as follows:

Value	Error
16#02000000	Normal communications are not possible due to a high load at the remote node.
16#04000000	The specified source variable is one of the following data types and it does not exist on the other Controller. <ul style="list-style-type: none"> <li>• Basic data type</li> <li>• Enumeration</li> <li>• Structure</li> <li>• Union</li> <li>• Array</li> </ul>
16#05000000	The specified source variable is one of the following and it does not exist on the other Controller. <ul style="list-style-type: none"> <li>• Enumeration enumerator</li> <li>• Structure member</li> <li>• Union member</li> <li>• Array element</li> </ul>
16#08000000	The requested service does not support.
16#0C008010	The specified destination variable is being downloaded.
16#0C008011	
16#1F000102	<ul style="list-style-type: none"> <li>• The specified destination variable has a Constant attribute, so it cannot be written.</li> <li>• The write data does not agree with the number of write elements.</li> </ul>
16#1F008007	The inaccessible variable is specified.
16#20008017	The specified destination variable is not an array and the number of elements to write is not 1.
16#20008018	The specified destination variable is an array and the number of elements to write exceeds the number of elements in the array.
16#20008028	The specified destination variable is an enumeration and the write data is not the value of an enumerator.
16#26000000	The specified destination variable name is only the NULL character.

## Sample Programming

Refer to *Sample Programming* on page 2-1165 for the CIPUCMMSend instruction.

# CIPUCMMSend

The CIPUCMMSend instruction sends a UCMM CIP message to a specified device on a CIP network.

Instruction	Name	FB/ FUN	Graphic expression	ST expression
CIPUCMM-Send	Send Explicit Message UCMM	FB		CIPUCMMSend_instance(Execute, RoutePath, TimeOut, ServiceCode, RqPath, ServiceDat, Size, RespServiceDat, Done, Busy, Error, ErrorID, ErrorIDEx, RespSize);

## Variables

	Meaning	I/O	Description	Valid range	Unit	Default
RoutePath	Route path	Input	Route path	Depends on data type.	---	---
TimeOut	Timeout time		Timeout time	1 to 65535	0.1 s	20 (2.0 s)
Service-Code	Service code		Service code	Depends on data type.	---	---
RqPath	Request path		Request path	---		
ServiceDat	Service data		Data to send	Depends on data type.		*1
Size	Number of elements to send	Number of elements to send	1			
RespServiceDat	Response data	In-out	Response data	Depends on data type.	---	---
RespSize	Response size	Output	Response data size	Depends on data type.	Bytes	---

\*1. If you omit an input parameter, the default value is not applied. A building error will occur.

	Boo lean	Bit strings				Integers								Real numbers		Times, durations, dates, and text strings					
	BOOL	BYTE	WORD	DWORD	LWORD	USINT	UINT	UDINT	ULINT	SINT	INT	DINT	LINT	REAL	LREAL	TIME	DATE	TOD	DT	STRING	
RoutePath																					OK
TimeOut							OK														
Service-Code		OK																			
RqPath	Structure <code>_sREQUEST_PATH</code> or <code>_sREQUEST_PATH_EX</code> *1. Refer to <i>Data type of RqPath</i> on page 2-1140 for details.																				
ServiceDat		OK	OK	OK	OK	OK	OK	OK	OK	OK	OK	OK	OK	OK							
An array, structure member, or union member can also be specified.																					

	Boo lean	Bit strings					Integers							Real num- bers		Times, durations, dates, and text strings				
	BOOL	BYTE	WORD	DWORD	LWORD	USINT	UINT	UDINT	ULINT	SINT	INT	DINT	LINT	REAL	LREAL	TIME	DATE	TOD	DT	STRING
Size							OK													
RespServiceDat		OK	OK	OK	OK	OK	OK	OK	OK	OK	OK	OK	OK	OK	OK					
	An array, structure member, or union member can also be specified.																			
RespSize							OK													

\*1. A CPU Unit with unit version 1.11 or later and Sysmac Studio version 1.15 or higher are required to specify `_sREQUEST_PATH_EX` type.

## Function

The CIPUCMMSend instruction sends service data *ServiceDat* for the service specified with service code *ServiceCode* as a UCMM explicit message.

The destination is specified with route path *RoutePath*.

*RqPath* specifies the request path.

*Size* specifies the number of elements to send.

If *ServiceDat* is an array, specify the number of elements to send.

If *ServiceDat* is not an array, always specify 1.

If no service data is required, set *Size* to 0.

The response data received later is stored in *RespServiceDat*. The number of bytes of the response data is stored in *RespSize*.

*TimeOut* specifies the timeout time. If a response does not return within the timeout time, it is assumed that communications failed.

The data type of *ClassIDLogicalFormat*, *InstanceIDLogicalFormat*, and *AttributeIDLogicalFormat* is enumerated type `_eCIP_LOGICAL_FORMAT`.

The meanings of the enumerators of enumerated type `_eCIP_LOGICAL_FORMAT` are as follows:

Enumerator	Meaning
<code>_8BIT</code>	8 bits
<code>_16BIT</code>	16 bits
<code>_32BIT</code>	32 bits

If the value of *ErrorID* is `WORD#16#1C00`, the CIP message error code is stored in *ErrorIDEx*.

The meaning and values of *ErrorIDEx* depend on the remote node. Refer to the manual for the remote node.

## Data type of *RqPath*

The data type of *RqPath* is structure `_sREQUEST_PATH` or `_sREQUEST_PATH_EX`.

Normally, use `_sREQUEST_PATH`.

When you specify any logical format size, use `_sREQUEST_PATH_EX`.

### ● `_sREQUEST_PATH` type

Name	Meaning	Description	Data type	Valid range	Unit	Default
RqPath	Request path	Request path	<code>_sREQUEST_PATH</code>	---	---	---
ClassID	Class ID	Class ID	UINT	Depends on data type.	---	0
InstanceID	Instance ID	Instance ID	UINT			FALSE
isAttributeID	Attribute usage	TRUE:Attribute ID used. FALSE:Attribute ID not used.	BOOL			0
AttributeID	Attribute ID	Attribute ID	UINT			

**Note** The logical format size of each ID in `_sREQUEST_PATH` type is 16 bits.

### ● `_sREQUEST_PATH_EX` type

Name	Meaning	Description	Data type	Valid range	Unit	Default
RqPath	Request path	Request path	<code>_sREQUEST_PATH_EX</code>	---	---	---
ClassIDLogicalFormat	Class ID logical format	Class ID data size	<code>_eCIP_LOGICAL_FORMAT</code>	Depends on data type.	---	_8BIT
ClassID	Class ID	Class ID	UDINT			0
InstanceIDLogicalFormat	Instance ID logical format	Instance ID data size	<code>_eCIP_LOGICAL_FORMAT</code>			_8BIT
InstanceID	Instance ID	Instance ID	UDINT			0
isAttributeID	Attribute usage	TRUE:Attribute ID used. FALSE:Attribute ID not used.	BOOL			FALSE
AttributeIDLogicalFormat	Attribute ID logical format	Attribute ID data size	<code>_eCIP_LOGICAL_FORMAT</code>			_8BIT
AttributeID	Attribute ID	Attribute ID	UDINT			0

## Sending and Receiving Arrays

If *ServiceDat* or *RespServiceDat* is an array, pass a subscripted array element to it as the parameter.

## Maximum Read/Write Data Size

You can read a maximum of 492 bytes of data.

The maximum size of the data that you can write depends on whether there is a request path attribute and the route path that is used, as given below.

Maximum write data size [bytes] = Base size - Attribute usage - Path information size

Item in above formula	Meaning
Base size	500 bytes
Attribute usage*1	Attribute ID used: 14 bytes Attribute ID not used: 10 bytes
Path information size	<ul style="list-style-type: none"> <li>If there are no hops, the path information size is 0 bytes. *2</li> <li>If there are hops, the path information size is the route path size plus 12 bytes.</li> <li>The route path size is the bytes size of the ASCII characters in the route path.</li> <li>However, the following precautions apply. <ul style="list-style-type: none"> <li>a) If the address portion starts with "#", calculate the network and address portions as a total of 2 bytes.</li> <li>b) If the address portion does not start with "#", calculate the network portion as 2 bytes.</li> <li>c) If the address portion does not start with "#" and the number of bytes in the ASCII characters for the address portion is an odd number, add 1 byte.</li> <li>d) Do not include the level separator, "\", between levels of the route path in the route path size.</li> <li>e) Do not include the first hop in the route path size.</li> </ul> </li> </ul> <p>Example 1: When the Route Path Is '01\#11\02\192.168.250.2\01\#01'</p> <ul style="list-style-type: none"> <li>The first hop in the route path size is not included, so ignore "01\#11" at the start of the path.</li> <li>The network type is "02", so use 2 bytes in the calculation.</li> <li>The address portion is "192.168.250.2", so use 13 bytes in the calculation. It is an odd number, so 1 is added to make 14 bytes.</li> <li>For the following "01\#01", the address portion starts with "#", so the network and address portions are calculated as a total of 2 bytes.</li> <li>If you add all of the above sizes, the size of the route path is 18 bytes.</li> <li>If we then add 12 bytes to the route path size, the path information size is 30 bytes.</li> </ul> <p>Example 2: When the Route Path Is '02\192.168.250.2\01\#00'</p> <ul style="list-style-type: none"> <li>The first hop in the route path size is not included, so ignore "02\192.168.250.2" at the start of the path.</li> <li>For the following "01\#00", the address portion starts with "#", so the network and address portions are calculated as a total of 2 bytes.</li> <li>Therefore, the size of the route path is 2 bytes.</li> <li>If we then add 12 bytes to the route path size, the path information size is 14 bytes.</li> </ul> <p>Example 3: When the Route Path Is '02\192.168.250.2'</p> <ul style="list-style-type: none"> <li>If there are no hops, the path information size is 0 bytes.</li> </ul>

\*1. With a CPU Unit with unit version 1.10 or earlier or Sysmac Studio version 1.14 or lower, the values are as follows:

Attribute ID used: 12 bytes

Attribute ID not used: 8 bytes

\*2. A hop is routing between the sending node and receiving node. For example, if the route path is '02\192.168.250.2\01\#00', the message is first routed to the node with an IP address of 192.168.250.2 to send the message to unit address 00. This involves one hop.

## Related System-defined Variables

Name	Meaning	Data type	Description
_EIP_EtnOnlineSta*1	Online	BOOL	This variable indicates when built-in EtherNet/IP port communications can be used. TRUE: Communications are possible. FALSE: Communications are not possible.
_EIP1_EtnOnlineSta*2			
_EIP2_EtnOnlineSta*3			

\*1. Use this variable name for an NJ-series CPU Unit.

- \*2. Use this variable name for port 1 on an NX-series CPU Unit.  
You can specify `_EIP_EtnOnlineSta` instead of `_EIP1_EtnOnlineSta`.
- \*3. Use this variable name for port 2 on an NX-series CPU Unit.

### Additional Information

Refer to the following manuals for details on CIP communications.

- *NJ/NX-series CPU Unit Built-in EtherNet/IP Port User's Manual (Cat. No. W506)*
- *NX-series EtherNet/IP Unit User's Manual (Cat. No. W627)*
- *CJ-series EtherNet/IP Units Operation Manual for NJ-series CPU Unit (Cat. No. W495)*

### Precautions for Correct Use

- Execution of this instruction is continued until completed even if the value of *Execute* changes to FALSE or the execution time exceeds the task period. The value of *Done* changes to TRUE when processing is completed. Use this to confirm normal completion of the execution.
- Refer to *Using this Section* on page 2-3 for a timing chart for *Execute*, *Done*, *Busy*, and *Error*.
- Always use a variable for the input parameter to pass to *ServiceDat*. A building error will occur if a constant is passed.
- You can use this instruction through a built-in EtherNet/IP port on an NJ/NX-series CPU Unit, through a port on an NX-series EtherNet/IP Unit connected to an NX502 CPU Unit, or through a port on an EtherNet/IP Unit connected to an NJ-series CPU Unit.
- If a variable is written to an OMRON Controller, the variable must be published to the network. Publish the variable to the network in advance.
- An error will occur in the following cases. *Error* will change to TRUE.
  - a) A value that is outside the valid range is set for *RqPath.ClassIDLogicalFormat* or *RqPath.AttributeIDLogicalFormat*.
  - b) A mismatch occurred between the following two variables: the size specified for *RqPath.ClassIDLogicalFormat* and the data size of *RqPath.ClassID*, the size specified for *RqPath.InstanceIDLogicalFormat* and the data size of *RqPath.InstanceID*, or the size specified for *RqPath.AttributeIDLogicalFormat* and the data size of *RqPath.AttributeID*.
  - c) The value of *TimeOut* is outside the valid range.
  - d) The value of *Size* exceeds the write data range.
  - e) The value of *Size* exceeds the range of *ServiceDat*.
  - f) The value of *RespSize* exceeds the range of *RespServiceDat*.
  - g) A data type that is not supported was specified for *ServiceDat*.
  - h) A data type that is not supported was specified for *RespServiceDat*.
  - i) A variable which has any data type other than `_sREQUEST_PATH` or `_sREQUEST_PATH_EX` is specified for *RqPath*.
  - j) There is a setting error for the local IP address.
  - k) A duplicated IP error occurred.
  - l) The instruction was executed when there was a BOOTP server error.
  - m) An error response defined by CIP was returned.
  - n) The text string in *RoutePath* is not valid.
  - o) More than 32 CIP-related instructions were executed simultaneously.
  - p) A response was not received even though the timeout time was exceeded.

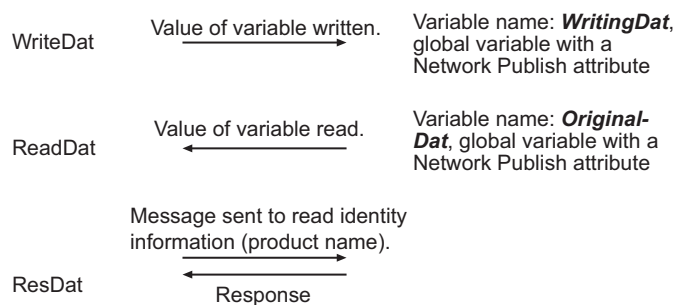
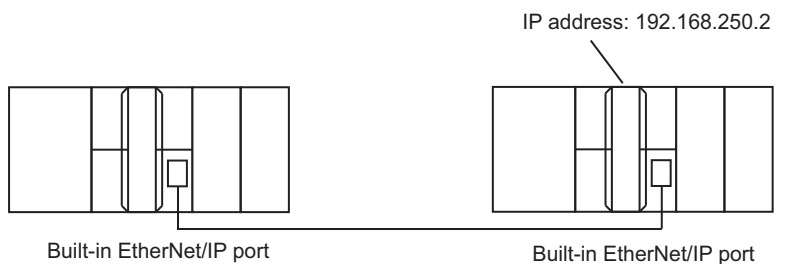
## Sample Programming

This sample uses CIP UCMM messages to write a variable, read a variable, and send a message. The Controllers are connected to an EtherNet/IP network. The IP address of the remote node is 192.168.250.2.

The following procedure is used.

- 1** The CIPUCMMWrite instruction is used to write the value of a variable at a remote node. The variable name at the remote node is *WritingDat* and the contents of the *WriteDat* is written to it. *WritingDat* must be defined as a global variable at the remote node and the Network Publish attribute must be set.
- 2** The CIPUCMMRead instruction is used to read the value of a variable at a remote node. The value of the variable *OriginalDat* at the other node is read and the read value is stored in the *ReadDat* variable. *OriginalDat* must be defined as a global variable at the remote node and the Network Publish attribute must be set.
- 3** The CIPUCMMSend instruction is used to send an explicit message to a remote node. The contents of the message is to read identity information (product name). The class ID, instance ID, attribute ID, and service code are as follows: The response data is stored in the *ResDat* variable.

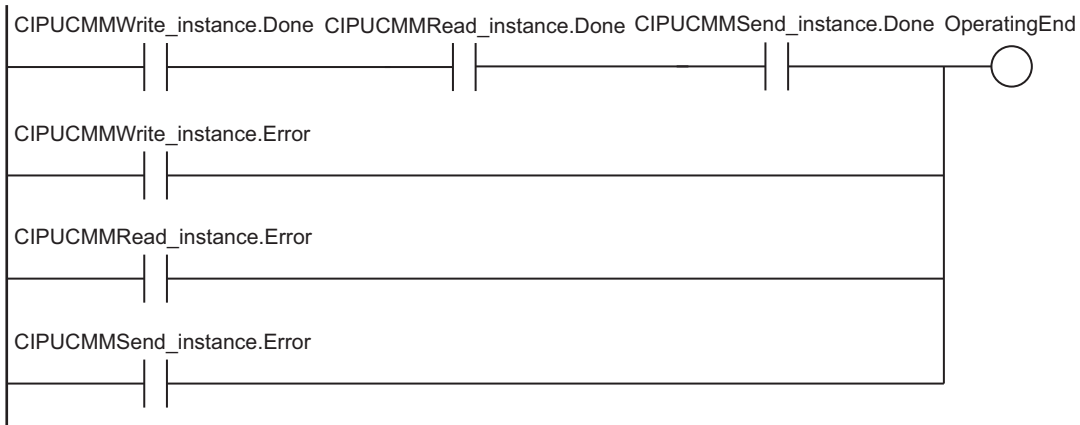
Item	Value
Class ID	1
Instance ID	1
Attribute ID	7
Service code	16#0E



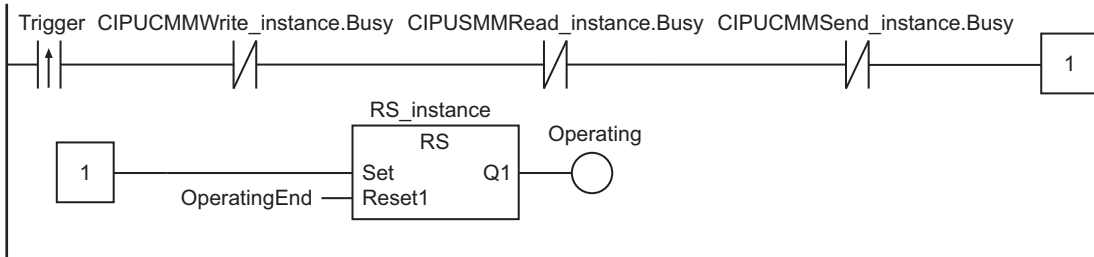
**LD**

Variable	Data type	Initial value	Comment
OperatingEnd	BOOL	FALSE	Processing completed
Trigger	BOOL	FALSE	Execution condition
Operating	BOOL	FALSE	Processing
WriteDat	INT	1234	Write data
ReadDat	INT	0	Read data
ReqPath	_sREQUEST_PATH	(ClassID:=0, InstanceID:=0, isAttributeID:=FALSE, AttributeID:=0)	Request path
ResDat	ARRAY[0..10] OF BYTE	[11(16#0)]	Response data
Dummy	BYTE	16#0	Dummy
RS_instance	RS		
CIPUCMMWrite_instance	CIPUCMMWrite		
CIPUCMMRead_instance	CIPUCMMRead		
CIPUCMMSend_instance	CIPUCMMSend		

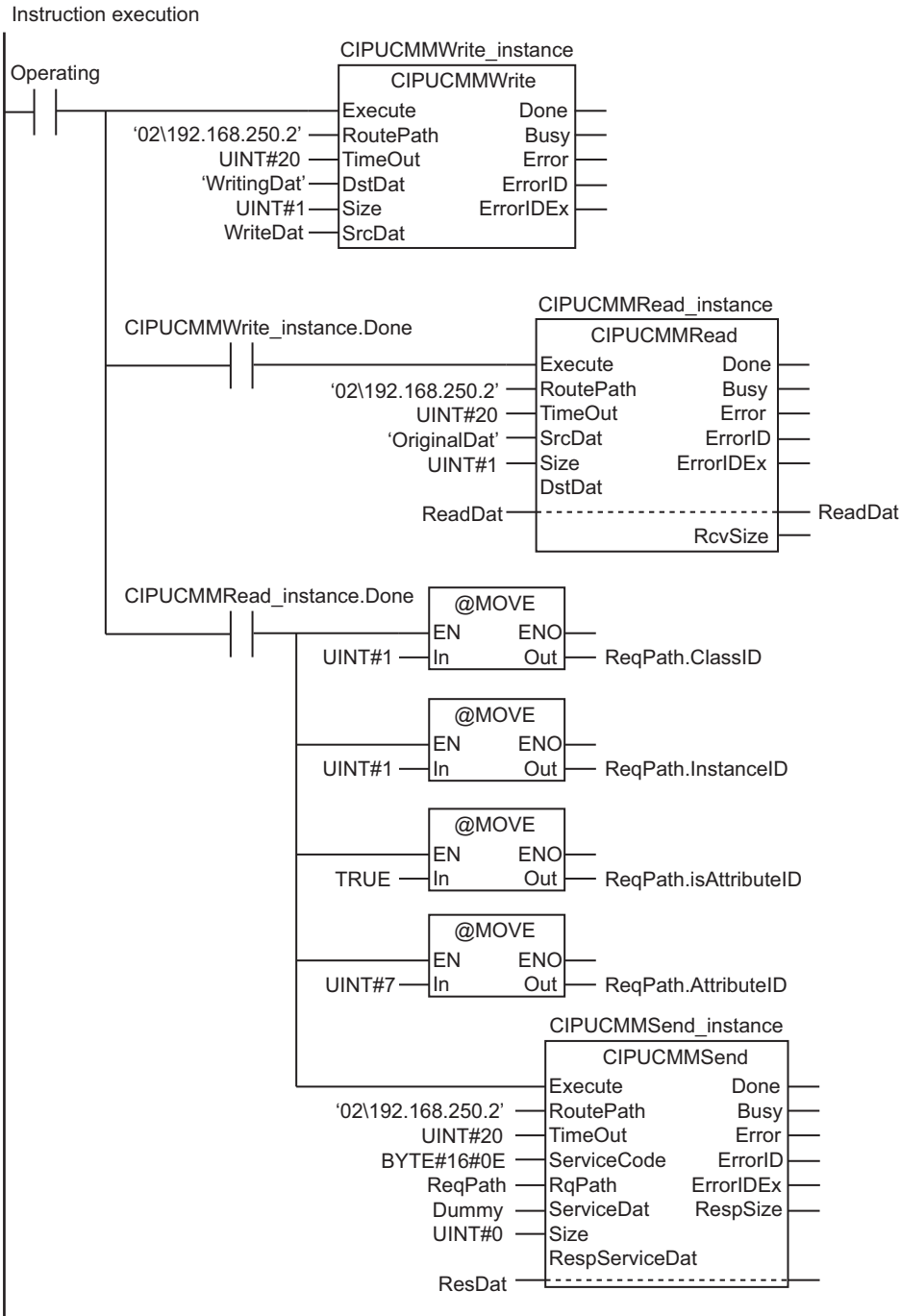
Determine if instruction execution is completed.

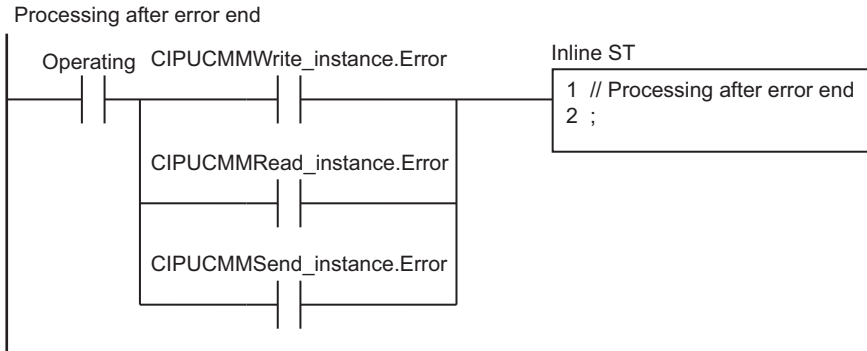


Accept trigger.









## ST

Internal Variables	Variable	Data type	Initial value	Comment
	Trigger	BOOL	FALSE	Execution condition
	DoUCMMTrigger	BOOL	FALSE	Processing
	Stage	INT	0	Stage change
	WriteDat	INT	0	Write data
	ReadDat	INT	0	Read data
	ReqPath	_sREQUEST_PATH	(ClassID:=0, InstanceID:=0, isAttributeID:=FALSE, AttributeID:=0)	Request path
	ResDat	ARRAY[0..10] OF BYTE	[11(16#0)]	Response data
	Dummy	BYTE	16#0	Dummy
	CIPUCMMWrite_instance	CIPUCMMWrite		
	CIPUCMMRead_instance	CIPUCMMRead		
	CIPUCMMSend_instance	CIPUCMMSend		

External Variables	Variable	Constant	Data type	Comment
	_EIP_EtnOnlineSta	<input checked="" type="checkbox"/>	BOOL	Online

```
// Start sequence when Trigger changes to TRUE.
IF ( (Trigger=TRUE) AND (DoUCMMTrigger=FALSE) AND (_Eip_EtnOnlineSta=TRUE) ) THEN
  DoUCMMTrigger      :=TRUE;
  Stage              :=INT#1;
  CIPUCMMWrite_instance(
    Execute           :=FALSE,           // Initialize instance.
    SrcDat            :=WriteDat);      // Dummy
  CIPUCMMRead_instance(
    Execute           :=FALSE,           // Initialize instance.
    SrcDat            :=ReadDat);      // Dummy
```

```

        DstDat          :=ReadDat);          // Dummy
    CIPUCMMSend_instance(
        Execute         :=FALSE,           // Initialize instance.
        ServiceDat      :=Dummy,          // Dummy
        RqPath          :=ReqPath,        // Dummy
        RespServiceDat:=ResDat);          // Dummy
END_IF;

IF (DoUCMMTrigger=TRUE) THEN
    CASE Stage OF
    1 :                               // Request writing value of variable.
        CIPUCMMWrite_instance(
            Execute     :=TRUE,
            RoutePath   :='02\192.168.250.2', // Route path
            TimeOut     :=UINT#20,          // Timeout time
            DstDat      :='WritingDat',     // Destination variable name
            Size        :=UINT#1,          // Number of elements to write
            SrcDat      :=WriteDat);        // Write data

            IF (CIPUCMMWrite_instance.Done=TRUE) THEN
                Stage:=INT#2;              // Normal end
            ELSIF (CIPUCMMWrite_instance.Error=TRUE) THEN
                Stage:=INT#10;             // Error end
            END_IF;
    2 :                               // Request reading value of variable.
        CIPUCMMRead_instance(
            Execute     :=TRUE,
            RoutePath   :='02\192.168.250.2', // Route path
            TimeOut     :=UINT#20,          // Timeout time
            SrcDat      :='OriginalDat',    // Destination variable name
            Size        :=UINT#1,          // Number of elements to read
            DstDat      :=ReadDat);        // Read data

            IF (CIPUCMMRead_instance.Done=TRUE) THEN
                Stage:=INT#3;              // Normal end
            ELSIF (CIPUCMMRead_instance.Error=TRUE) THEN
                Stage:=INT#40;             // Error end
            END_IF;
    3 :                               // Send message
        ReqPath.ClassID :=UINT#01;
        ReqPath.InstanceID :=UINT#01;
        ReqPath.isAttributeID:=TRUE;
        ReqPath.AttributeID :=UINT#07;
        CIPUCMMSend_instance(
            Execute     :=TRUE,
            RoutePath   :='02\192.168.250.2', // Route path

```

```

        TimeOut      :=UINT#20,                // Timeout time
        ServiceCode  :=BYTE#16#0E,            // Service code
        RqPath       :=ReqPath,                // Request path
        ServiceDat   := Dummy,                 // Service data
        Size         :=UINT#0,                 // Number of elements
        RespServiceDat :=ResDat);              // Response data

    IF (CIPUCMMSend_instance.Done=TRUE) THEN
        Stage:=INT#0;                          // Normal end
    ELSIF (CIPUCMMSend_instance.Error=TRUE) THEN
        Stage:=INT#30;                          // Error end
    END_IF;

0 :                                          // Processing after normal end
    DoUCMMTrigger:=FALSE;
    Trigger        :=FALSE;

ELSE                                          //Processing after error end
    DoUCMMTrigger:=FALSE;
    Trigger        :=FALSE;
END_CASE;
END_IF;

```

# SktUDPCreate

The SktUDPCreate instruction creates a UDP socket request to open a servo port for the EtherNet/IP.

Instruction	Name	FB/ FUN	Graphic expression	ST expression
SktUDPCreate	Create UDP Socket	FB		SktUDPCreate_instance(Execute, SrcUdpPort, Done, Busy, Error, ErrorID, Socket);

## Variables

	Meaning	I/O	Description	Valid range	Unit	Default
SrcUdpPort	Local UDP port number	Input	Local UDP port number	1 to 65535	---	1
Socket	Socket	Output	Socket	---	---	---

	Boo lean	Bit strings					Integers							Real num- bers	Times, durations, dates, and text strings					
	BOOL	BYTE	WORD	DWORD	LWORD	USINT	UINT	UDINT	ULINT	SINT	INT	DINT	LINT	REAL	LREAL	TIME	DATE	TOD	DT	STRING
SrcUdpPort							OK													
Socket	Refer to <i>Function</i> on page 2-1171 for details on the structure <code>_sSOCKET</code> .																			

## Function

The SktUDPCreate instruction opens the port specified with the local UDP port number *SrcUdpPort*.

To do this, it executes the `Socket()` and `Bind()` socket functions.

Information on the socket that is opened is stored in *Socket*.

The value of *Done* changes to TRUE when processing of the instruction is completed normally.

The UDP port is open when the instruction is completed normally.

The data type of *Socket* is structure `_sSOCKET`. The specifications are as follows:

Name	Meaning	Description	Data type	Valid range	Unit	Default
Socket	Socket	Socket	_sSOCKET	---	---	---
Handle	Handle	Handle for data communications	UDINT	Depends on data type.	---	0
SrcAdr* <sup>1</sup>	Local address	Local IP address and port number	_sSOCKET_ADDRESS	---	---	---
PortNo	Port number	Port number	UINT	1 to 65535		0
IpAdr* <sup>1</sup>	IP address	IP address or host name. A DNS or Hosts setting is required to use a host name.	STRING	Depends on data type.	---	''
DstAdr* <sup>1</sup>	Destination address	Destination IP address and port number	_sSOCKET_ADDRESS	---	---	---
PortNo* <sup>1</sup>	Port number	Port number	UINT	1 to 65535		0
IpAdr* <sup>1</sup>	IP address	IP address or host name. A DNS or Hosts setting is required to use a host name.	STRING	Depends on data type.	---	''

\*1. A value of 0 or NULL is output for these members.

## Related System-defined Variables

Name	Meaning	Data type	Description
_EIP_EtnOnlineSta* <sup>1</sup>	Online	BOOL	This variable indicates when built-in EtherNet/IP port communications can be used. TRUE: Communications are possible. FALSE: Communications are not possible.
_EIP1_EtnOnlineSta* <sup>2</sup>			
_EIP2_EtnOnlineSta* <sup>3</sup>			

- \*1. Use this variable name for an NJ-series CPU Unit.  
 \*2. Use this variable name for port 1 on an NX-series CPU Unit.  
 You can specify \_EIP\_EtnOnlineSta instead of \_EIP1\_EtnOnlineSta.  
 \*3. Use this variable name for port 2 on an NX-series CPU Unit.

## Additional Information

Refer to the *NJ/NX-series CPU Unit Built-in EtherNet/IP Port User's Manual (Cat. No. W506)* for details on the socket service functions.

## Precautions for Correct Use

- Execution of this instruction is continued until processing is completed even if the value of *Execute* changes to FALSE or the execution time exceeds the task period. The value of *Done* changes to TRUE when processing is completed. Use this to confirm normal completion of processing.
- Refer to *Using this Section* on page 2-3 for a timing chart for *Execute*, *Done*, *Busy*, and *Error*.
- You can use this instruction for a built-in EtherNet/IP port on an NJ/NX-series CPU Unit.  
 Or you can use this instruction through a port on an NX-series EtherNet/IP Unit by setting **IP Forward to Use** in the NX502 CPU Unit.

- You cannot use this instruction in an event task. A compiling error will occur.
- Use the SktClose instruction to close handles that are created with this instruction.
- Handles that are created with this instruction are disabled when you change to PROGRAM mode.
- Except for NX502 CPU Units and NX102 CPU Units, you can execute a maximum of 32 of the following instructions at the same time: SktUDPCreate, SktUDPRcv, SktUDPSend, SktTCPAccept, SktTCPConnect, SktTCPRcv, SktTCPSend, SktGetTCPStatus, SktClose, SktClearBuf, SktSetOption, ModbusTCPCmd, ModbusTCPRead, and ModbusTCPWrite.  
For NX502 CPU Units and NX102 CPU Units, a maximum of 64 instructions can be executed.
- An error occurs in the following cases. *Error* will change to TRUE.
  - There is a setting error for the local IP address.
  - The value of *SrcUdpPort* is outside of the valid range.
  - The port that is specified with *SrcUdpPort* is already open, or close processing is in progress for it.
  - The port that is specified with *ScrUdpPort* is already in use.

### Version Information

- The number of sockets that you can open at the same time depends on the unit version of the CPU Unit as shown in the following table. These limits are the totals for both UDP and TCP sockets.

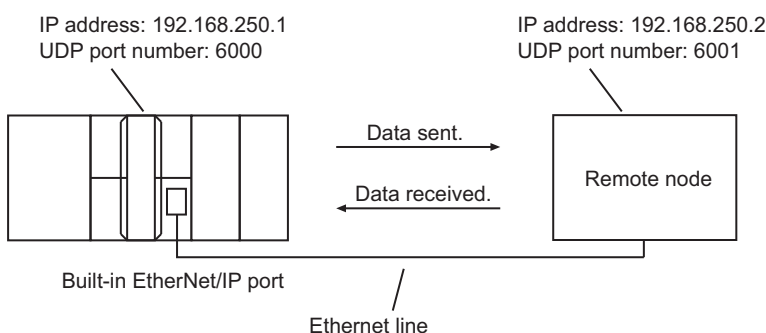
Unit version of CPU Unit	Number of sockets
1.03 or later	30 max.*1
1.02 or earlier	16 max.

\*1. For NX502 CPU Units and NX102 CPU Units, you can execute a maximum of 60 sockets.

- For CPU Unit version 1.10 or later, the value of *Socket* does not change even if *Error* changes to TRUE. For version 1.09 or earlier, the value of *Socket* changes to 0.

## Sample Programming

In this sample, the UDP socket service is used for data communications between the NJ/NX-series CPU Unit and a remote node.



## User program of NJ/NX-series CPU Unit

The processing procedure is as follows:

- The SktUDPCreate instruction is used to request creating a UDP socket.

- 2 The SktUDPSend instruction is used to request sending data. The data in SendSocketDat[] is sent.
- 3 The SktUDPRcv instruction is used to request receiving data. The received data is stored in RcvSocketDat[].
- 4 The SktClose instruction is used to close the socket.

● ST

Internal Variables	Variable	Data type	Initial value	Comment
	Trigger	BOOL	FALSE	Execution condition
	DoSendAndRcv	BOOL	FALSE	Processing
	Stage	INT	0	Stage change
	RcvSocketDat	ARRAY[0..1999] OF BYTE	[2000(16#0)]	Receive data
	WkSocket	_sSOCKET	(Handle:=0, SrcAdr:=(PortNo:=0, IpAdr:""), DstAdr:=(PortNo:=0, IpAdr:""))	Socket
	SendSocketDat	ARRAY[0..1999] OF BYTE	[2000(16#0)]	Send data
	SktUDPCreate_instance	SktUDPCreate		
	SktUDPSend_instance	SktUDPSend		
	SktUDPRcv_instance	SktUDPRcv		
	SktClose_instance	SktClose		

External Variables	Variable	Data type	Constant	Comment
	_EIP_EtnOnlineSta	BOOL	<input checked="" type="checkbox"/>	Online

```
// Start sequence when Trigger changes to TRUE.
IF ( (Trigger=TRUE) AND (DoSendAndRcv=FALSE) AND (_Eip_EtnOnlineSta=TRUE) ) THEN
  DoSendAndRcv:=TRUE;
  Stage      :=INT#1;
  SktUDPCreate_instance(Execute:=FALSE);    // Initialize instance.
  SktUDPSend_instance(                       // Initialize instance.
    Execute:=FALSE,
    SendDat:=SendSocketDat[0]);             // Dummy
  SktUDPRcv_instance(                       // Initialize instance.
    Execute:=FALSE,
    RcvDat :=RcvSocketDat[0]);             // Dummy
  SktClose_instance(Execute:=FALSE);        // Initialize instance.
END_IF;
```



```

IF (DoSendAndRcv=TRUE) THEN
  CASE Stage OF
    1 :                                     // Request creating socket.
      SktUDPCreate_instance(
        Execute      :=TRUE,
        SrcUdpPort:=UINT#6000,           // Local UDP port number
        Socket       =>WkSocket);       // Socket

      IF (SktUDPCreate_instance.Done=TRUE) THEN
        Stage:=INT#2;                   // Normal end
      ELSIF (SktUDPCreate_instance.Error=TRUE) THEN
        Stage:=INT#10;                  // Error end
      END_IF;

    2 :                                     // Request sending data
      WkSocket.DstAdr.PortNo:=UINT#6001;
      WkSocket.DstAdr.IpAdr :='192.168.250.2';
      SktUDPSend_instance(
        Execute:=TRUE,
        Socket  :=WkSocket,              // Socket
        SendDat:=SendSocketDat[0],      // Send data
        Size    :=UINT#2000);           // Send data size

      IF (SktUDPSend_instance.Done=TRUE) THEN
        Stage:=INT#3;                   // Normal end
      ELSIF (SktUDPSend_instance.Error=TRUE) THEN
        Stage:=INT#20;                  // Error end
      END_IF;

    3 :                                     // Request receiving data.
      SktUDPRcv_instance(
        Execute:=TRUE,
        Socket  :=WkSocket,              // Socket
        TimeOut:=UINT#0,                 // Timeout time
        Size    :=UINT#2000,            // Receive data size
        RcvDat  :=RcvSocketDat[0]);     // Receive data

      IF (SktUDPRcv_instance.Done=TRUE) THEN
        Stage:=INT#4;                   // Normal end
      ELSIF (SktUDPRcv_instance.Error=TRUE) THEN
        Stage:=INT#30;                  // Error end
      END_IF;

    4 :                                     // Request closing.
      SktClose_instance(
        Execute:=TRUE,

```

```

        Socket :=WkSocket);                // Socket

IF (SktClose_instance.Done=TRUE) THEN
    Stage:=INT#0;                          // Normal end
ELSIF (SktClose_instance.Error=TRUE) THEN
    Stage:=INT#40;                          // Error end
END_IF;

0 :                                        // Normal end
    DoSendAndRcv:=FALSE;
    Trigger      :=FALSE;

ELSE                                       // Interrupted by error.
    DoSendAndRcv:=FALSE;
    Trigger      :=FALSE;
END_CASE;

END_IF;

```

## Programming in the Remote Node

In this example, programming is also required in the remote node. The order of sending and receiving is reversed in comparison with the above procedure.

- 1** The SktUDPCreate instruction is used to request creating a UDP socket.
- 2** The SktUDPRcv instruction is used to request receiving data. The received data is stored in RcvSocketDat[[]].
- 3** The SktUDPSend instruction is used to request sending data. The data in SendSocketDat[[]] is sent.
- 4** The SktClose instruction is used to close the socket.

### ● ST

Internal Variables	Variable	Data type	Initial value	Comment
	Trigger	BOOL	FALSE	Execution condition
	DoSendAndRcv	BOOL	FALSE	Processing
	Stage	INT	0	Stage change
	RcvSocketDat	ARRAY[0..1999] OF BYTE	[2000(16#0)]	Receive data
	WkSocket	_sSOCKET	(Handle:=0, SrcAdr:=(PortNo:=0, IpAdr:="), DstAdr:=(PortNo:=0, IpAdr:="))	Socket

Internal Variables	Variable	Data type	Initial value	Comment
	SendSocketDat	ARRAY[0..1999] OF BYTE	[2000(16#0)]	Send data
	SkUDPCreate_instance	SkUDPCreate		
	SkUDPSend_instance	SkUDPSend		
	SkUDPRcv_instance	SkUDPRcv		
	SkClose_instance	SkClose		

External Variables	Variable	Data type	Constant	Comment
	_EIP_EtnOnlineSta	BOOL	☑	Online

```
// Start sequence when Trigger changes to TRUE.
IF ( (Trigger=TRUE) AND (DoSendAndRcv=FALSE) AND ( _Eip_EtnOnlineSta=TRUE) ) THEN
  DoSendAndRcv:=TRUE;
  Stage      :=INT#1;
  SktUDPCreate_instance(Execute:=FALSE); // Initialize instance.
  SktUDPSend_instance( // Initialize instance.
    Execute:=FALSE,
    SendDat:=SendSocketDat[0]); // Dummy
  SktUDPRcv_instance( // Initialize instance.
    Execute:=FALSE,
    RcvDat :=RcvSocketDat[0]); // Dummy
  SktClose_instance(Execute:=FALSE); // Initialize instance.
END_IF;

IF (DoSendAndRcv=TRUE) THEN
  CASE Stage OF
    1 : // Request creating socket.
      SktUDPCreate_instance(
        Execute :=TRUE,
        SrcUdpPort:=UINT#6001, // Local UDP port number
        Socket =>WkSocket); // Socket

      IF (SktUDPCreate_instance.Done=TRUE) THEN
        Stage:=INT#2; // Normal end
      ELSIF (SktUDPCreate_instance.Error=TRUE) THEN
        Stage:=INT#10; // Error end
      END_IF;
    2 : // Request receiving data
      SktUDPRcv_instance(
        Execute:=TRUE,
```

```

        Socket :=WkSocket,           // Socket
        TimeOut:=UINT#0,             // Timeout time
        Size    :=UINT#2000,         // Receive data size
        RcvDat  :=RcvSocketDat[0]); // Receive data

    IF (SktUDPRcv_instance.Done=TRUE) THEN
        Stage:=INT#3;                // Normal end
    ELSIF (SktUDPRcv_instance.Error=TRUE) THEN
        Stage:=INT#20;               // Error end
    END_IF;

3 :                               // Request sending data.
    WkSocket.DstAdr.PortNo:=UINT#6000;
    WkSocket.DstAdr.IpAdr :='192.168.250.1';
    SktUDPSend_instance(
        Execute:=TRUE,
        Socket :=WkSocket,           // Socket
        SendDat:=SendSocketDat[0],   // Send data
        Size    :=UINT#2000);        // Send data size

    IF (SktUDPSend_instance.Done=TRUE) THEN
        Stage:=INT#4;                // Normal end
    ELSIF (SktUDPSend_instance.Error=TRUE) THEN
        Stage:=INT#30;               // Error end
    END_IF;

4 :                               // Request closing.
    SktClose_instance(
        Execute:=TRUE,
        Socket :=WkSocket);         // Socket

    IF (SktClose_instance.Done=TRUE) THEN
        Stage:=INT#0;                // Normal end
    ELSIF (SktClose_instance.Error=TRUE) THEN
        Stage:=INT#40;               // Error end
    END_IF;

0 :                               // Normal end
    DoSendAndRcv:=FALSE;
    Trigger      :=FALSE;

ELSE                               // Interrupted by error.
    DoSendAndRcv:=FALSE;
    Trigger      :=FALSE;
END_CASE;

END_IF;

```

# SkUDPRcv

The SkUDPRcv instruction reads the data from the receive buffer for a UDP socket for the EtherNet/IP.

Instruction	Name	FB/ FUN	Graphic expression	ST expression
SkUDPRcv	UDP Socket Receive	FB	<pre> SkUDPRcv_instance   SkUDPRcv   Execute --- Done   Socket --- Busy   TimeOut --- Error   Size --- ErrorID   RcvDat ---   RcvSize ---   SendNodeAdr ---                     </pre>	SkUDPRcv_instance(Execute, Socket, TimeOut, Size, RcvDat, Done, Busy, Error, ErrorID, RcvSize, SendNodeAdr);

## Variables

	Meaning	I/O	Description	Valid range	Unit	Default
Socket	Socket	Input	Socket	---	---	---
TimeOut	Timeout time		0: No timeouts 1 to 65535: 0.1 to 6553.5 s	Depends on data type.	0.1 s	0
Size	Stored size		The number of bytes to read from the receive buffer	0 to 2000	Bytes	1
RcvDat[] (array)	Receive data	In-out	Receive data	Depends on data type.	---	---
RcvSize	Receive data size	Output	The number of bytes actually stored in RcvDat[]	0 to 2000	Bytes	---
SendNodeAdr	Source node address		Source node address	---	---	---

	Boo lean	Bit strings					Integers							Real numbers		Times, durations, dates, and text strings				
	BOOL	BYTE	WORD	DWORD	LWORD	USINT	UINT	UDINT	ULINT	SINT	INT	DINT	LINT	REAL	LREAL	TIME	DATE	TOD	DT	STRING
Socket	Refer to <i>Function</i> on page 2-1180 for details on the structure <code>_sSOCKET</code> .																			
TimeOut						OK														
Size						OK														
RcvDat[] (array)	OK																			
RcvSize						OK														
SendNodeAdr	Refer to <i>Function</i> on page 2-1180 for details on the structure <code>_sSOCKET_ADDRESS</code> .																			

## Function

The SktUDPRcv instruction stores the data in the receive buffer for the socket that is specified with *Socket* in receive data RcvDat[]. The number of bytes to store is specified with *Size*.

The number of bytes that is actually stored is assigned to *RcvSize*.

The node address of the node that sent the data is stored in *SendNodeAdr*.

If there is no data in the receive buffer, the instruction waits for data for the period of time that is set with timeout time *TimeOut*.

The value of *Done* changes to TRUE when processing of the instruction is completed normally.

Storage of the data to RcvDat[] is completed when the instruction is completed normally.

The data type of *Socket* is structure `_sSOCKET`. The specifications are as follows:

Name	Meaning	Description	Data type	Valid range	Unit	Default
Socket	Socket	Socket	<code>_sSOCKET</code>	---	---	---
Handle	Handle	Handle for data communications	UDINT	Depends on data type.	---	0
SrcAdr* <sup>1</sup>	Local address	Local IP address and port number	<code>_sSOCKET_ADDRESS</code>	---	---	---
PortNo* <sup>1</sup>	Port number	Port number	UINT	1 to 65535	---	0
IpAdr* <sup>1</sup>	IP address	IP address or host name. A DNS or Hosts setting is required to use a host name.	STRING	Depends on data type.		''
DstAdr* <sup>1</sup>	Destination address	Destination IP address and port number	<code>_sSOCKET_ADDRESS</code>	---	---	---
PortNo* <sup>1</sup>	Port number	Port number	UINT	1 to 65535	---	0
IpAdr* <sup>1</sup>	IP address	IP address or host name. A DNS or Hosts setting is required to use a host name.	STRING	Depends on data type.		''

\*1. These members are not used for this instruction.

The data type of *SendNodeAdr* is structure `_sSOCKET_ADDRESS`. The specifications are as follows:

Name	Meaning	Description	Data type	Valid range	Unit	Default
SendNodeAdr	Source node address	Source node address	<code>_sSOCKET_ADDRESS</code>	---	---	---
PortNo	Port number	UDP port number of the source node	UINT	1 to 65535	---	---
IpAdr	IP address	IP address of the source node	STRING	Depends on data type.		---

## Related System-defined Variables

Name	Meaning	Data type	Description
<code>_EIP_EtnOnlineSta</code> <sup>*1</sup>	Online	BOOL	This variable indicates when built-in EtherNet/IP port communications can be used. TRUE: Communications are possible. FALSE: Communications are not possible.
<code>_EIP1_EtnOnlineSta</code> <sup>*2</sup>			
<code>_EIP2_EtnOnlineSta</code> <sup>*3</sup>			

\*1. Use this variable name for an NJ-series CPU Unit.

\*2. Use this variable name for port 1 on an NX-series CPU Unit.  
You can specify `_EIP_EtnOnlineSta` instead of `_EIP1_EtnOnlineSta`.

\*3. Use this variable name for port 2 on an NX-series CPU Unit.

## Additional Information

Refer to the *NJ/NX-series CPU Unit Built-in EtherNet/IP Port User's Manual (Cat. No. W506)* for details on the socket service functions.

## Precautions for Correct Use

- Execution of this instruction is continued until processing is completed even if the value of *Execute* changes to FALSE or the execution time exceeds the task period. The value of *Done* changes to TRUE when processing is completed. Use this to confirm normal completion of processing.
- Refer to *Using this Section* on page 2-3 for a timing chart for *Execute*, *Done*, *Busy*, and *Error*.
- You can use this instruction for a built-in EtherNet/IP port on an NJ/NX-series CPU Unit. Or you can use this instruction through a port on an NX-series EtherNet/IP Unit by setting **IP Forward to Use** in the NX502 CPU Unit.
- You cannot use this instruction in an event task. A compiling error will occur.
- Up to 2,000 bytes of data can be read from the receive buffer with one instruction.
- If the size of data that was received by the specified socket is smaller than the value of *Size*, then all of the received data is stored in `RecDat[]`. Then the size of data that was stored is stored in *RcvSize*.
- If the size of data that was received by the specified socket is larger than the value of *Size*, then the size of received data specified by *Size* is stored in `RecDat[]`.
- The receive data is not read if the value of *Size* is 0.
- If the `SktClose` instruction closes the connection when there is no data in the receive buffer, a normal end occurs without waiting to receive data even if a timeout has not occurred. The value of *RcvSize* is 0 in that case.
- Except for NX502 CPU Units and NX102 CPU Units, you can execute a maximum of 32 of the following instructions at the same time: `SktUDPCreate`, `SktUDPRcv`, `SktUDPSend`, `SktTCPAccept`, `SktTCPConnect`, `SktTCPRcv`, `SktTCPSend`, `SktGetTCPStatus`, `SktClose`, `SktClearBuf`, `SktSetOption`, `ModbusTCPcmd`, `ModbusTCPRead`, and `ModbusTCPWrite`.  
For NX502 CPU Units and NX102 CPU Units, a maximum of 64 instructions can be executed.
- An error occurs in the following cases. *Error* will change to TRUE.
  - a) There is a setting error for the local IP address.
  - b) Data reception is in progress for the socket specified with *Socket*.
  - c) The socket specified with *Socket* is not open.
  - d) The handle specified with *Socket.Handle* does not exist.

## Sample Programming

Refer to *Sample Programming* on page 2-1173 for the SktUDPCreate instruction.



# SktUDPSend

The SktUDPSend instruction sends data from a UDP port for the EtherNet/IP.

Instruction	Name	FB/ FUN	Graphic expression	ST expression
SktUDPSend	UDP Socket Send	FB		SktUDPSend_instance(Execute, Socket, SendDat, Size, Done, Busy, Error, ErrorID);

## Variables

	Meaning	I/O	Description	Valid range	Unit	Default
Socket	Socket	Input	Socket	---	---	---
SendDat[] (array)	Send data		Send data	Depends on data type.		
Size	Send data size		Send data size	0 to 2000		

	Boolean	Bit strings				Integers							Real numbers		Times, durations, dates, and text strings						
	BOOL	BYTE	WORD	DWORD	LWORD	USINT	UINT	UDINT	ULINT	SINT	INT	DINT	LINT	REAL	LREAL	TIME	DATE	TOD	DT	STRING	
Socket																					
SendDat[] (array)		OK																			
Size							OK														

## Function

The SktUDPSend instruction sends SendDat[] (send data) from the socket that is specified with *Socket*.

The number of bytes to send is specified with *Size*.

The remote node is specified with *Socket.DstAdr*.

The value of *Done* changes to TRUE when processing of the instruction is completed normally.

Transmission of SendDat[] to the send buffer is completed when the instruction is completed normally.

The data type of *Socket* is structure `_sSOCKET`. The specifications are as follows:

Name	Meaning	Description	Data type	Valid range	Unit	Default
Socket	Socket	Socket	_sSOCKET	---	---	---
Handle	Handle	Handle for data communications	UDINT	Depends on data type.	---	0
SrcAdr* <sup>1</sup>	Local address	Local IP address and port number	_sSOCKET_ADDRESS	---	---	---
PortNo* <sup>1</sup>	Port number	Port number	UINT	1 to 65535		0
IpAdr* <sup>1</sup>	IP address	IP address or host name. A DNS or Hosts setting is required to use a host name.	STRING	Depends on data type.	---	''
DstAdr	Destination address	Destination IP address and port number	_sSOCKET_ADDRESS	---	---	---
PortNo	Port number	Port number	UINT	1 to 65535		0
IpAdr	IP address	IP address or host name. A DNS or Hosts setting is required to use a host name.	STRING	Depends on data type.	---	''

\*1. These members are not used for this instruction.

## Related System-defined Variables

Name	Meaning	Data type	Description
_EIP_EtnOnlineSta* <sup>1</sup>	Online	BOOL	This variable indicates when built-in EtherNet/IP port communications can be used. TRUE: Communications are possible. FALSE: Communications are not possible.
_EIP1_EtnOnlineSta* <sup>2</sup>			
_EIP2_EtnOnlineSta* <sup>3</sup>			

- \*1. Use this variable name for an NJ-series CPU Unit.  
 \*2. Use this variable name for port 1 on an NX-series CPU Unit.  
 You can specify \_EIP\_EtnOnlineSta instead of \_EIP1\_EtnOnlineSta.  
 \*3. Use this variable name for port 2 on an NX-series CPU Unit.

## Additional Information

Refer to the *NJ/NX-series CPU Unit Built-in EtherNet/IP Port User's Manual (Cat. No. W506)* for details on the socket service functions.

## Precautions for Correct Use

- Execution of this instruction is continued until processing is completed even if the value of *Execute* changes to FALSE or the execution time exceeds the task period. The value of *Done* changes to TRUE when processing is completed. Use this to confirm normal completion of processing.
- Refer to *Using this Section* on page 2-3 for a timing chart for *Execute*, *Done*, *Busy*, and *Error*.
- You can use this instruction for a built-in EtherNet/IP port on an NJ/NX-series CPU Unit.  
 Or you can use this instruction through a port on an NX-series EtherNet/IP Unit by setting **IP Forward to Use** in the NX502 CPU Unit.

- You cannot use this instruction in an event task. A compiling error will occur.
- Up to 2,000 bytes of data can be sent with one instruction. A maximum of 2,000 bytes is sent even if the `SendDat[]` array is larger than 2,000 bytes. Only 1,472 bytes can be sent if the broadcast address is specified.
- If the value of *Size* is 0, then 0 bytes of send data is transmitted on the line.
- Except for NX502 CPU Units and NX102 CPU Units, you can execute a maximum of 32 of the following instructions at the same time: `SktUDPCreate`, `SktUDPRcv`, `SktUDPSend`, `SktTCPAccept`, `SktTCPConnect`, `SktTCPRcv`, `SktTCPSend`, `SktGetTCPStatus`, `SktClose`, `SktClearBuf`, `SktSetOption`, `ModbusTCPCmd`, `ModbusTCPRead`, and `ModbusTCPWrite`.  
For NX502 CPU Units and NX102 CPU Units, a maximum of 64 instructions can be executed.
- An error occurs in the following cases. *Error* will change to TRUE.
  - a) There is a setting error for the local IP address.
  - b) The value of a member of *Socket* is outside of the valid range.
  - c) Data transmission is in progress for the socket specified with *Socket*.
  - d) The socket specified with *Socket* is not open.
  - e) The remote node for *Socket* was specified with a domain name and address resolution failed.
  - f) The handle specified with *Socket.Handle* does not exist.
  - g) The value of *Size* exceeds the number of elements in `SendDat[]`.

## Sample Programming

Refer to *Sample Programming* on page 2-1173 for the `SktUDPCreate` instruction.

# SkdTCPAccept

The SkdTCPAccept instruction requests accepting of a TCP socket for the EtherNet/IP.

Instruction	Name	FB/ FUN	Graphic expression	ST expression
SkdTCPAccept	Accept TCP Socket	FB		SkdTCPAccept_instance(Execute, SrcTcpPort, TimeOut, Done, Busy, Error, ErrorID, Socket);

## Variables

	Meaning	I/O	Description	Valid range	Unit	Default
SrcTcpPort	Local TCP port number.	Input	Local TCP port number.	1 to 65535	---	1
TimeOut	Timeout time		0: No timeouts 1 to 65535: 0.1 to 6553.5 s	Depends on data type.	0.1 s	0
Socket	Socket	Output	Socket	---	---	---

	Boo lean	Bit strings					Integers							Real numbers		Times, durations, dates, and text strings				
	BOOL	BYTE	WORD	DWORD	LWORD	USINT	UINT	UDINT	ULINT	SINT	INT	DINT	LINT	REAL	LREAL	TIME	DATE	TOD	DT	STRING
SrcTcpPort							OK													
TimeOut							OK													
Socket	Refer to <i>Function</i> on page 2-1186 for details on the structure <code>_sSOCKET</code> .																			

## Function

The SkdTCPAccept instruction requests accepting the port specified with the local TCP port number *SrcTcpPort*. To do this, it executes the `Socket()`, `Bind()`, `Listen()`, and `Accept()` socket functions. The instruction waits for the period of time set with timeout time *TimeOut* for a connection to be established with the remote node.

The value of *Done* changes to TRUE when processing of the instruction is completed normally. The connection is established when the instruction is completed normally.

The data type of *Socket* is structure `_sSOCKET`. The specifications are as follows:

Name	Meaning	Description	Data type	Valid range	Unit	Default
Socket	Socket	Socket	_sSOCKET	---	---	---
Handle	Handle	Handle for data communications	UDINT	Depends on data type.	---	0
SrcAdr	Local address	Local IP address and port number	_sSOCKET_ADDRESS	---	---	---
PortNo	Port number	Port number	UINT	1 to 65535	---	0
IpAdr*1	IP address	IP address or host name. A DNS or Hosts setting is required to use a host name.	STRING	Depends on data type.	---	"
DstAdr	Destination address	Destination IP address and port number	_sSOCKET_ADDRESS	---	---	---
PortNo	Port number	Port number	UINT	1 to 65535	---	0
IpAdr	IP address	IP address or host name. A DNS or Hosts setting is required to use a host name.	STRING	Depends on data type.	---	"

\*1. NULL is output for this member.

## Related System-defined Variables

Name	Meaning	Data type	Description
_EIP_EtnOnlineSta*1	Online	BOOL	This variable indicates when built-in EtherNet/IP port communications can be used. TRUE: Communications are possible. FALSE: Communications are not possible.
_EIP1_EtnOnlineSta*2			
_EIP2_EtnOnlineSta*3			

\*1. Use this variable name for an NJ-series CPU Unit.

\*2. Use this variable name for port 1 on an NX-series CPU Unit.  
You can specify `_EIP_EtnOnlineSta` instead of `_EIP1_EtnOnlineSta`.

\*3. Use this variable name for port 2 on an NX-series CPU Unit.

## Additional Information

- Refer to the *NJ/NX-series CPU Unit Built-in EtherNet/IP Port User's Manual (Cat. No. W506)* for details on socket services.
- You can execute this instruction more than once to open connections to more than one client with one local port number. A different socket is returned for each connection.

## Precautions for Correct Use

- Execution of this instruction is continued until processing is completed even if the value of *Execute* changes to FALSE or the execution time exceeds the task period. The value of *Done* changes to TRUE when processing is completed. Use this to confirm normal completion of processing.
- Refer to *Using this Section* on page 2-3 for a timing chart for *Execute*, *Done*, *Busy*, and *Error*.
- You can use this instruction for a built-in EtherNet/IP port on an NJ/NX-series CPU Unit.

Or you can use this instruction through a port on an NX-series EtherNet/IP Unit by setting **IP Forward to Use** in the NX502 CPU Unit.

- You cannot use this instruction in an event task. A compiling error will occur.
- Use the `SktClose` instruction to close handles that are created with this instruction.
- Handles that are created with this instruction are disabled when you change to PROGRAM mode.
- Except for NX502 CPU Units and NX102 CPU Units, you can execute a maximum of 32 of the following instructions at the same time: `SktUDPCreate`, `SktUDPRcv`, `SktUDPSend`, `SktTCPAccept`, `SktTCPConnect`, `SktTCPRcv`, `SktTCPSend`, `SktGetTCPStatus`, `SktClose`, `SktClearBuf`, `SktSetOption`, `ModbusTCPcmd`, `ModbusTCPRead`, and `ModbusTCPWrite`.  
For NX502 CPU Units and NX102 CPU Units, a maximum of 64 instructions can be executed.
- An error occurs in the following cases. *Error* will change to TRUE.
  - a) There is a setting error for the local IP address.
  - b) The value of *SrcTcpPort* is outside of the valid range.
  - c) Open processing is in progress for the socket specified with *SrcTcpPort*.
  - d) Close processing is in progress for the socket specified with *SrcTcpPort*.
  - e) A connection is not opened within the time that is specified with *TimeOut*.



### Version Information

- The number of sockets that you can open at the same time depends on the unit version of the CPU Unit as shown in the following table. These limits are the totals for both UDP and TCP sockets.

Unit version of CPU Unit	Number of sockets
1.03 or later	30 max.*1
1.02 or earlier	16 max.

\*1. For NX502 CPU Units and NX102 CPU Units, you can execute a maximum of 60 sockets.

- For CPU Unit version 1.10 or later, the value of *Socket* does not change even if *Error* changes to TRUE. For version 1.09 or earlier, the value of *Socket* changes to 0.

## Sample Programming

Refer to *Sample Programming* on page 2-1191 for the `SktTCPConnect` instruction.

# SkTcPcOnnecT

The SkTcPcOnnecT instruction connects to a remote TCP port from the EtherNet/IP.

Instruction	Name	FB/ FUN	Graphic expression	ST expression
SkTcPcOnnecT	Connect TCP Socket	FB		SkTcPcOnnecT_instance(Execute, SrcTcpPort, DstAdr, DstTcpPort, Done, Busy, Error, ErrorID, Socket);

## Variables

	Meaning	I/O	Description	Valid range	Unit	Default
SrcTcpPort	Local TCP port number.	Input	Local TCP port number. If 0 is specified, an available TCP port that is 1024 or higher is automatically assigned. Well-known port numbers are not assigned.	Depends on data type.	---	0
DstAdr	Destination address		Destination IP address or host name	200 bytes max.		---
DstTcpPort	Destination TCP port number		Destination TCP port number	1 to 65,535		1
Socket	Socket	Output	Socket	---	---	---

	Boo lean	Bit strings					Integers							Real numbers		Times, durations, dates, and text strings				
	BOOL	BYTE	WORD	DWORD	LWORD	USINT	UINT	UDINT	ULINT	SINT	INT	DINT	LINT	REAL	LREAL	TIME	DATE	TOD	DT	STRING
SrcTcpPort							OK													
DstAdr																				OK
DstTcpPort							OK													
Socket	Refer to <i>Function</i> on page 2-1189 for details on the structure <code>_sSOCKET</code> .																			

## Function

The SkTcPcOnnecT instruction requests a connection between local TCP port number *SrcTcpPort* and destination TCP port number *DstTcpPort* at destination address *DstAdr*. To do this, it executes the Connect() socket function.

The value of *Done* changes to TRUE when processing of the instruction is completed normally.

The connection is established when the instruction is completed normally.

The data type of *Socket* is structure `_sSOCKET`. The specifications are as follows:

Name	Meaning	Description	Data type	Valid range	Unit	Default
Socket	Socket	Socket	<code>_sSOCKET</code>	---	---	---
Handle	Handle	Handle for data communications	UDINT	Depends on data type.	---	0
SrcAdr	Local address	Local IP address and port number	<code>_sSOCKET_ADDRESS</code>	---	---	---
	PortNo	Port number	UINT	1 to 65535	---	0
IpAdr*1	IP address	IP address or host name.	STRING	Depends on data type.		"
		A DNS or Hosts setting is required to use a host name.				
DstAdr	Destination address	Destination IP address and port number	<code>_sSOCKET_ADDRESS</code>	---	---	---
	PortNo	Port number	UINT	1 to 65535	---	0
IpAdr	IP address	IP address or host name.	STRING	Depends on data type.		"
		A DNS or Hosts setting is required to use a host name.				

\*1. NULL is output for this member.

## Related System-defined Variables

Name	Meaning	Data type	Description
<code>_EIP_EtnOnlineSta</code> *1	Online	BOOL	This variable indicates when built-in EtherNet/IP port communications can be used. TRUE: Communications are possible. FALSE: Communications are not possible.
<code>_EIP1_EtnOnlineSta</code> *2			
<code>_EIP2_EtnOnlineSta</code> *3			

\*1. Use this variable name for an NJ-series CPU Unit.

\*2. Use this variable name for port 1 on an NX-series CPU Unit.  
You can specify `_EIP_EtnOnlineSta` instead of `_EIP1_EtnOnlineSta`.

\*3. Use this variable name for port 2 on an NX-series CPU Unit.

## Additional Information

Refer to the *NJ/NX-series CPU Unit Built-in EtherNet/IP Port User's Manual (Cat. No. W506)* for details on the socket service functions.

## Precautions for Correct Use

- Execution of this instruction is continued until processing is completed even if the value of *Execute* changes to FALSE or the execution time exceeds the task period. The value of *Done* changes to TRUE when processing is completed. Use this to confirm normal completion of processing.
- Refer to *Using this Section* on page 2-3 for a timing chart for *Execute*, *Done*, *Busy*, and *Error*.
- You can use this instruction for a built-in EtherNet/IP port on an NJ/NX-series CPU Unit.



Or you can use this instruction through a port on an NX-series EtherNet/IP Unit by setting **IP Forward to Use** in the NX502 CPU Unit.

- You cannot use this instruction in an event task. A compiling error will occur.
- Use the SktClose instruction to close handles that are created with this instruction.
- Handles that are created with this instruction are disabled when you change to PROGRAM mode.
- Except for NX502 CPU Units and NX102 CPU Units, you can execute a maximum of 32 of the following instructions at the same time: SktUDPCreate, SktUDPRcv, SktUDPSend, SktTCPAccept, SktTCPConnect, SktTCPRcv, SktTCPSend, SktGetTCPStatus, SktClose, SktClearBuf, SktSetOption, ModbusTCPcmd, ModbusTCPRead, and ModbusTCPWrite.

For NX502 CPU Units and NX102 CPU Units, a maximum of 64 instructions can be executed.

- An error occurs in the following cases. *Error* will change to TRUE.
  - a) There is a setting error for the local IP address.
  - b) The value of *DstAdr* is outside of the valid range.
  - c) The value of *DstTcpPort* is outside of the valid range.
  - d) The TCP port that is specified with *SrcTcpPort* is already open.
  - e) The remote node that is specified with *DstAdr* does not exist.
  - f) The remote node that is specified with *DstAdr* and *DstTcpPort* is not waiting for a connection.
  - g) Address resolution failed for the host name that is specified with *DstAdr*.
  - h) A connection is already open for the same client (IP address and TCP port).

### Version Information

- The number of sockets that you can open at the same time depends on the unit version of the CPU Unit as shown in the following table. These limits are the totals for both UDP and TCP sockets.

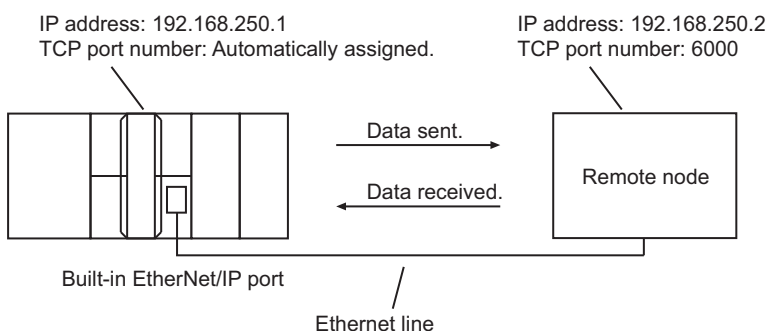
Unit version of CPU Unit	Number of sockets
1.03 or later	30 max.*1
1.02 or earlier	16 max.

\*1. For NX502 CPU Units and NX102 CPU Units, you can execute a maximum of 60 sockets.

- For CPU Unit version 1.10 or later, the value of *Socket* does not change even if *Error* changes to TRUE. For version 1.09 or earlier, the value of *Socket* changes to 0.

## Sample Programming

In this sample, the TCP socket service is used for data communications between the NJ/NX-series CPU Unit and a remote node.



## User program of NJ/NX-series CPU Unit

The processing procedure is as follows:

- 1** The SktTCPConnect instruction is used to request connecting to the TCP port on the remote node.
- 2** The SktClearBuf instruction is used to clear the receive buffer for a TCP socket.
- 3** The SktGetTCPStatus instruction is used to read the status of a TCP socket.
- 4** The SktTCPSend instruction is used to request sending data. The data in SendSocketDat[] is sent.
- 5** The SktTCPRcv instruction is used to request receiving data. The received data is stored in RcvSocketDat[].
- 6** The SktClose instruction is used to close the socket.

### ● ST

Internal Variables	Variable	Data type	Initial value	Comment
	Trigger	BOOL	FALSE	Execution condition
	DoTCP	BOOL	FALSE	Processing
	Stage	INT	0	Stage change
	RcvSocketDat	ARRAY[0..1999] OF BYTE	[2000(16#0)]	Receive data
	WkSocket	_sSOCKET	(Handle:=0, SrcAdr:=(PortNo:=0, IpAdr:="), DstAdr:=(PortNo:=0, IpAdr:="))	Socket
	SendSocketDat	ARRAY[0..1999] OF BYTE	[2000(16#0)]	Send data
	SktTCPConnect_instance	SktTCPConnect		
	SktClearBuf_instance	SktClearBuf		
	SktGetTCPStatus_instance	SktGetTCPStatus		
	SktTCPSend_instance	SktTCPSend		
	SktTCPRcv_instance	SktTCPRcv		
	SktClose_instance	SktClose		

External Variables	Variable	Data type	Constant	Comment
	_EIP_EtnOnlineSta	BOOL	<input checked="" type="checkbox"/>	Online

```

// Start sequence when Trigger changes to TRUE.
IF ( (Trigger=TRUE) AND (DoTCP=FALSE) AND ( _Eip_EtnOnlineSta=TRUE) ) THEN
  DoTCP:=TRUE;
  Stage:=INT#1;
  SktTCPConnect_instance(Execute:=FALSE); // Initialize instance.
  SktClearBuf_instance(Execute:=FALSE); // Initialize instance.
  SktGetTCPStatus_instance(Execute:=FALSE); // Initialize instance.
  SktTCPSend_instance( // Initialize instance.
    Execute:=FALSE,
    SendDat:=SendSocketDat[0]); // Dummy
  SktTCPRecv_instance( // Initialize instance.
    Execute:=FALSE,
    RcvDat :=RcvSocketDat[0]); // Dummy
  SktClose_instance(Execute:=FALSE); // Initialize instance.
END_IF;

IF (DoTCP=TRUE) THEN
  CASE Stage OF
  1 : // Request a connection.
    SktTCPConnect_instance(
      Execute :=TRUE,
      SrcTcpPort:=UINT#0, // Local TCP port number: Automatically assigned.
      DstAdr :='192.168.250.2', // Remote IP address
      DstTcpPort:=UINT#6000, // Destination TCP port number
      Socket =>WkSocket); // Socket

    IF (SktTCPConnect_instance.Done=TRUE) THEN
      Stage:=INT#2; // Normal end
    ELSIF (SktTCPConnect_instance.Error=TRUE) THEN
      Stage:=INT#10; // Error end
    END_IF;
  2 : // Clear receive buffer.
    SktClearBuf_instance(
      Execute:=TRUE,
      Socket :=WkSocket); // Socket

    IF (SktClearBuf_instance.Done=TRUE) THEN
      Stage:=INT#3; // Normal end
    ELSIF (SktClearBuf_instance.Error=TRUE) THEN
      Stage:=INT#20; // Error end
    END_IF;
  3 : // Request reading status.
    SktGetTCPStatus_instance(
      Execute:=TRUE,
      Socket :=WkSocket); // Socket
  END_CASE;
END_IF;

```

```

IF (SkGetTCPStatus_instance.Done=TRUE) THEN
    Stage:=INT#4; // Normal end
ELSIF (SkGetTCPStatus_instance.Error=TRUE) THEN
    Stage:=INT#30; // Error end
END_IF;

4 : // Request sending data
SkTCPSend_instance(
    Execute:=TRUE,
    Socket :=WkSocket, // Socket
    SendDat:=SendSocketDat[0], // Send data
    Size :=UINT#2000); // Send data size

IF (SkTCPSend_instance.Done=TRUE) THEN
    Stage:=INT#5; // Normal end
ELSIF (SkTCPSend_instance.Error=TRUE) THEN
    Stage:=INT#40; // Error end
END_IF;

5 : // Request receiving data
SkTCPRcv_instance(
    Execute:=TRUE,
    Socket :=WkSocket, // Socket
    TimeOut:=UINT#0, // Timeout time
    Size :=UINT#2000, // Receive data size
    RcvDat :=RcvSocketDat[0]); // Receive data

IF (SkTCPRcv_instance.Done=TRUE) THEN
    Stage:=INT#6; // Normal end
ELSIF (SkTCPRcv_instance.Error=TRUE) THEN
    Stage:=INT#50; // Error end
END_IF;

6 : // Request closing.
SkClose_instance(
    Execute:=TRUE,
    Socket :=WkSocket); // Socket

IF (SkClose_instance.Done=TRUE) THEN
    Stage:=INT#0; // Normal end
ELSIF (SkClose_instance.Error=TRUE) THEN
    Stage:=INT#40; // Error end
END_IF;

0 : // Normal end
DoTCP :=FALSE;
Trigger:=FALSE;

```

```

ELSE // Interrupted by error.
    DoTCP :=FALSE;
    Trigger:=FALSE;
END_CASE;

END_IF;

```

## Programming in the Remote Node

In this example, programming is also required in the remote node. The order of sending and receiving is reversed in comparison with the above procedure.

- 1** The SktTCPAccept instruction is used to request accepting a TCP socket.
- 2** The SktTCPRcv instruction is used to request receiving data. The received data is stored in RcvSocketDat[].
- 3** The SktTCPSend instruction is used to request sending data. The data in SendSocketDat[] is sent.
- 4** The SktClose instruction is used to close the socket.

### ● ST

Internal Variables	Variable	Data type	Initial value	Comment
	Trigger	BOOL	FALSE	Execution condition
	DoTCP	BOOL	FALSE	Processing
	Stage	INT	0	Stage change
	RcvSocketDat	ARRAY[0..1999] OF BYTE	[2000(16#0)]	Receive data
	WkSocket	_sSOCKET	(Handle:=0, SrcAdr:=(PortNo:=0, IpAdr:="), DstAdr:=(PortNo:=0, IpAdr:="))	Socket
	SendSocketDat	ARRAY[0..1999] OF BYTE	[2000(16#0)]	Send data
	SktTCPAccept_instance	SktTCPAccept		
	SktTCPSend_instance	SktTCPSend		
	SktTCPRcv_instance	SktTCPRcv		
	SktClose_instance	SktClose		

External Variables	Variable	Data type	Constant	Comment
	_EIP_EtnOnlineSta	BOOL	<input checked="" type="checkbox"/>	Online

```

// Start sequence when Trigger changes to TRUE.
IF ( (Trigger=TRUE) AND (DoTCP=FALSE) AND (_Eip_EtnOnlineSta=TRUE) ) THEN
  DoTCP:=TRUE;
  Stage:=INT#1;
  SktTCPAccept_instance(Execute:=FALSE); // Initialize instance.
  SktTCPSend_instance( // Initialize instance.
    Execute:=FALSE,
    SendDat:=SendSocketDat[0]); // Dummy
  SktTCPRcv_instance( // Initialize instance.
    Execute:=FALSE,
    RcvDat :=RcvSocketDat[0]); // Dummy
  SktClose_instance(Execute:=FALSE); // Initialize instance.
END_IF;

IF (DoTCP=TRUE) THEN
  CASE Stage OF
  1 : // Request accepting a socket connection.
    SktTCPAccept_instance(
      Execute :=TRUE,
      SrcTcpPort:=UINT#6000, // Local TCP port number
      TimeOut :=UINT#0, // Timeout time
      Socket =>WkSocket); // Socket

    IF (SktTCPAccept_instance.Done=TRUE) THEN
      Stage:=INT#2; // Normal end
    ELSIF (SktTCPAccept_instance.Error=TRUE) THEN
      Stage:=INT#10; // Error end
    END_IF;
  2 : // Request receiving data
    SktTCPRcv_instance(
      Execute:=TRUE,
      Socket :=WkSocket, // Socket
      TimeOut:=UINT#0, // Timeout time
      Size :=UINT#2000, // Receive data size
      RcvDat :=RcvSocketDat[0]); // Receive data

    IF (SktTCPRcv_instance.Done=TRUE) THEN
      Stage:=INT#3; // Normal end
    ELSIF (SktTCPRcv_instance.Error=TRUE) THEN
      Stage:=INT#20; // Error end
    END_IF;
  
```

```

3 :                               // Request sending data.
  SendSocketDat:=RcvSocketDat;
  SktTCPSend_instance(
    Execute:=TRUE,
    Socket :=WkSocket,           // Socket
    SendDat:=SendSocketDat[0],   // Send data
    Size   :=UINT#2000);        // Send data size

  IF (SktTCPSend_instance.Done=TRUE) THEN
    Stage:=INT#4;                // Normal end
  ELSIF (SktTCPSend_instance.Error=TRUE) THEN
    Stage:=INT#30;               // Error end
  END_IF;

4 :                               // Request closing.
  SktClose_instance(
    Execute:=TRUE,
    Socket :=WkSocket);         // Socket

  IF (SktClose_instance.Done=TRUE) THEN
    Stage:=INT#0;                // Normal end
  ELSIF (SktClose_instance.Error=TRUE) THEN
    Stage:=INT#40;               // Error end
  END_IF;

0 :                               // Normal end
  DoTCP   :=FALSE;
  Trigger:=FALSE;

ELSE                               // Interrupted by error.
  DoTCP   :=FALSE;
  Trigger:=FALSE;
END_CASE;

END_IF;

```

# SkTTCPRcv

The SkTTCPRcv instruction reads the data from the receive buffer for a specified TCP socket for the EtherNet/IP.

Instruction	Name	FB/ FUN	Graphic expression	ST expression
SkTTCPRcv	TCP Socket Receive	FB		SkTTCPRcv_instance(Execute, Socket, TimeOut, Size, RcvDat, Done, Busy, Error, Error-ID, RcvSize);

## Variables

	Meaning	I/O	Description	Valid range	Unit	Default
Socket	Socket	Input	Socket	---	---	---
TimeOut	Timeout time		0: No timeouts 1 to 65535: 0.1 to 6553.5 s	Depends on data type.	0.1 s	0
Size	Stored size		The number of bytes to read from the receive buffer	0 to 2000	Bytes	1
RcvDat[] (array)	Receive data	In-out	Receive data	Depends on data type.	---	---
RcvSize	Receive data size	Output	The number of bytes actually stored in RcvDat[]	0 to 2000	Bytes	---

	Boo lean	Bit strings				Integers								Real numbers		Times, durations, dates, and text strings					
	BOOL	BYTE	WORD	DWORD	LWORD	USINT	UINT	UDINT	ULINT	SINT	INT	DINT	LINT	REAL	LREAL	TIME	DATE	TOD	DT	STRING	
Socket																					
	Refer to <i>Function</i> on page 2-1198 for details on the structure <code>_sSOCKET</code> .																				
TimeOut							OK														
Size							OK														
RcvDat[] (array)		OK																			
RcvSize							OK														

## Function

The SkTTCPRcv instruction stores the data in the receive buffer for the socket that is specified with *Socket* in receive data RcvDat[]. The number of bytes to store is specified with *Size*.



The number of bytes that is actually stored is assigned to *RcvSize*.

If there is no data in the receive buffer, the instruction waits for data for the period of time that is set with timeout time *TimeOut*.

The value of *Done* changes to TRUE when processing of the instruction is completed normally.

Storage of the data to *RcvDat[]* is completed when the instruction is completed normally.

The data type of *Socket* is structure `_sSOCKET`. The specifications are as follows:

Name	Meaning	Description	Data type	Valid range	Unit	Default
Socket	Socket	Socket	<code>_sSOCKET</code>	---	---	---
Handle	Handle	Handle for data communications	UDINT	Depends on data type.	---	0
SrcAdr* <sup>1</sup>	Local address	Local IP address and port number	<code>_sSOCKET_ADDRESS</code>	---	---	---
PortNo* <sup>1</sup>	Port number	Port number	UINT	1 to 65535		0
IpAdr* <sup>1</sup>	IP address	IP address or host name. A DNS or Hosts setting is required to use a host name.	STRING	Depends on data type.	---	''
DstAdr* <sup>1</sup>	Destination address	Destination IP address and port number	<code>_sSOCKET_ADDRESS</code>	---	---	---
PortNo* <sup>1</sup>	Port number	Port number	UINT	1 to 65535		0
IpAdr* <sup>1</sup>	IP address	IP address or host name. A DNS or Hosts setting is required to use a host name.	STRING	Depends on data type.	---	''

\*1. These members are not used for this instruction.

## Related System-defined Variables

Name	Meaning	Data type	Description
<code>_EIP_EtnOnlineSta</code> * <sup>1</sup>	Online	BOOL	This variable indicates when built-in EtherNet/IP port communications can be used. TRUE: Communications are possible. FALSE: Communications are not possible.
<code>_EIP1_EtnOnlineSta</code> * <sup>2</sup>			
<code>_EIP2_EtnOnlineSta</code> * <sup>3</sup>			

\*1. Use this variable name for an NJ-series CPU Unit.

\*2. Use this variable name for port 1 on an NX-series CPU Unit.  
You can specify `_EIP_EtnOnlineSta` instead of `_EIP1_EtnOnlineSta`.

\*3. Use this variable name for port 2 on an NX-series CPU Unit.

## Additional Information

Refer to the *NJ/NX-series CPU Unit Built-in EtherNet/IP Port User's Manual (Cat. No. W506)* for details on the socket service functions.

## Precautions for Correct Use

- Execution of this instruction is continued until processing is completed even if the value of *Execute* changes to FALSE or the execution time exceeds the task period. The value of *Done* changes to TRUE when processing is completed. Use this to confirm normal completion of processing.
- Refer to *Using this Section* on page 2-3 for a timing chart for *Execute*, *Done*, *Busy*, and *Error*.
- You can use this instruction for a built-in EtherNet/IP port on an NJ/NX-series CPU Unit. Or you can use this instruction through a port on an NX-series EtherNet/IP Unit by setting **IP Forward to Use** in the NX502 CPU Unit.
- You cannot use this instruction in an event task. A compiling error will occur.
- Up to 2,000 bytes of data can be read with one instruction. A maximum of 2,000 bytes is read even if the *RcvDat[]* array is larger than 2,000 bytes.
- If the size of data that was received by the specified socket is smaller than the value of *Size*, then all of the received data is stored in *RecDat[]*. Then the size of data that was stored is stored in *RcvSize*.
- If the size of data that was received by the specified socket is larger than the value of *Size*, then the size of received data specified by *Size* is stored in *RecDat[]*.
- The receive data is not read if the value of *Size* is 0.
- If the *SktClose* instruction closes the connection when there is no data in the receive buffer, an error end occurs even if a timeout has not occurred.
- Except for NX502 CPU Units and NX102 CPU Units, you can execute a maximum of 32 of the following instructions at the same time: *SktUDPCreate*, *SktUDPRcv*, *SktUDPSend*, *SktTCPAccept*, *SktTCPConnect*, *SktTCPRcv*, *SktTCPSend*, *SktGetTCPStatus*, *SktClose*, *SktClearBuf*, *SktSetOption*, *ModbusTCPcmd*, *ModbusTCPRead*, and *ModbusTCPWrite*.  
For NX502 CPU Units and NX102 CPU Units, a maximum of 64 instructions can be executed.
- An error will occur in the following cases. *Error* will change to TRUE.
  - a) There is a setting error for the local IP address.
  - b) The value of a member of *Socket* is outside of the valid range.
  - c) Data reception is in progress for the socket specified with *Socket*.
  - d) The socket specified with *Socket* is not connected.
  - e) The handle specified with *Socket.Handle* does not exist.
  - f) Data was not received before the time that is specified with *TimeOut* expired.
  - g) The socket was closed with the *SktClose* instruction.
  - h) The handle specified with *Socket.Handle* is already used for secure socket communications.

## Sample Programming

Refer to *Sample Programming* on page 2-1191 for the *SktTCPConnect* instruction.

# SktTCPSend

The SktTCPSend instruction sends data from a specified TCP port for the EtherNet/IP.

Instruction	Name	FB/ FUN	Graphic expression	ST expression
SktTCPSend	TCP Socket Send	FB	<p>SktTCPSend_instance SktTCPSend</p> <p>Execute Done Socket Busy SendDat Error Size ErrorID</p>	SktTCPSend_instance(Execute, Socket, SendDat, Size, Done, Busy, Error, ErrorID);

## Variables

	Meaning	I/O	Description	Valid range	Unit	Default
Socket	Socket	Input	Socket	---	---	---
SendDat[] (array)	Send data		Send data	Depends on data type.		
Size	Send data size		Send data size	0 to 2000		

	Boo lean	Bit strings				Integers							Real num- bers		Times, durations, dates, and text strings						
	BOOL	BYTE	WORD	DWORD	LWORD	USINT	UINT	UDINT	ULINT	SINT	INT	DINT	LINT	REAL	LREAL	TIME	DATE	TOD	DT	STRING	
Socket																					
SendDat[] (array)		OK																			
Size							OK														

## Function

The SktTCPSend instruction sends SendDat[] (send data) from the socket that is specified with *Socket*.

The number of bytes to send is specified with *Size*.

The data type of *Socket* is structure `_sSOCKET`. The specifications are as follows:

Name	Meaning	Description	Data type	Valid range	Unit	Default
Socket	Socket	Socket	_sSOCKET	---	---	---
Handle	Handle	Handle for data communications	UDINT	Depends on data type.	---	0
SrcAdr* <sup>1</sup>	Local address	Local IP address and port number	_sSOCKET_ADDRESS	---	---	---
	PortNo* <sup>1</sup>	Port number	UINT	1 to 65535	---	0
IpAdr* <sup>1</sup>	IP address	IP address or host name. A DNS or Hosts setting is required to use a host name.	STRING	Depends on data type.		
DstAdr* <sup>1</sup>	Destination address	Destination IP address and port number	_sSOCKET_ADDRESS	---	---	---
	PortNo* <sup>1</sup>	Port number	UINT	1 to 65535	---	0
IpAdr* <sup>1</sup>	IP address	IP address or host name. A DNS or Hosts setting is required to use a host name.	STRING	Depends on data type.		

\*1. These members are not used for this instruction.

## Related System-defined Variables

Name	Meaning	Data type	Description
_EIP_EtnOnlineSta* <sup>1</sup>	Online	BOOL	This variable indicates when built-in EtherNet/IP port communications can be used. TRUE: Communications are possible. FALSE: Communications are not possible.
_EIP1_EtnOnlineSta* <sup>2</sup>			
_EIP2_EtnOnlineSta* <sup>3</sup>			

\*1. Use this variable name for an NJ-series CPU Unit.

\*2. Use this variable name for port 1 on an NX-series CPU Unit.  
You can specify \_EIP\_EtnOnlineSta instead of \_EIP1\_EtnOnlineSta.

\*3. Use this variable name for port 2 on an NX-series CPU Unit.

## Additional Information

Refer to the *NJ/NX-series CPU Unit Built-in EtherNet/IP Port User's Manual (Cat. No. W506)* for details on the socket service functions.

## Precautions for Correct Use

- Execution of this instruction is continued until processing is completed even if the value of *Execute* changes to FALSE or the execution time exceeds the task period. The value of *Done* changes to TRUE when processing is completed. Use this to confirm normal completion of processing.
- Refer to *Using this Section* on page 2-3 for a timing chart for *Execute*, *Done*, *Busy*, and *Error*.
- You can use this instruction for a built-in EtherNet/IP port on an NJ/NX-series CPU Unit. Or you can use this instruction through a port on an NX-series EtherNet/IP Unit by setting **IP Forward to Use** in the NX502 CPU Unit.

- You cannot use this instruction in an event task. A compiling error will occur.
- Up to 2,000 bytes of data can be sent with one instruction. A maximum of 2,000 bytes is sent even if the `SendDat[]` array is larger than 2,000 bytes.
- Data is not sent if the value of *Size* is 0.
- Except for NX502 CPU Units and NX102 CPU Units, you can execute a maximum of 32 of the following instructions at the same time: `SktUDPCreate`, `SktUDPRcv`, `SktUDPSend`, `SktTCPAccept`, `SktTCPConnect`, `SktTCPRcv`, `SktTCPSend`, `SktGetTCPStatus`, `SktClose`, `SktClearBuf`, `SktSetOption`, `ModbusTCPcmd`, `ModbusTCPRead`, and `ModbusTCPWrite`.  
For NX502 CPU Units and NX102 CPU Units, a maximum of 64 instructions can be executed.
- An error will occur in the following cases. *Error* will change to TRUE.
  - a) There is a setting error for the local IP address.
  - b) The value of a member of *Socket* is outside of the valid range.
  - c) Data transmission is in progress for the socket specified with *Socket*.
  - d) The socket specified with *Socket* is not connected.
  - e) The handle specified with *Socket.Handle* does not exist.
  - f) The handle specified with *Socket.Handle* is already used for secure socket communications.

## Sample Programming

Refer to *Sample Programming* on page 2-1191 for the `SktTCPConnect` instruction.

# SktGetTCPStatus

The SktGetTCPStatus instruction reads the status of a TCP socket.

Instruction	Name	FB/ FUN	Graphic expression	ST expression
SktGetTCP- Status	Read TCP Socket Status	FB		SktGetTCPStatus_instance( Execute, Socket, Done, Busy, Error, ErrorID, TcpStatus, DatRcvFlag);

## Variables

	Meaning	I/O	Description	Valid range	Unit	Default
Socket	Socket	Input	Socket	---	---	---
TcpStatus	TCP connection status	Output	TCP connection status	*1	---	---
DatRcvFlag	Data Received Flag		TRUE: Data is received. FALSE: Data is not received.	Depends on data type.		

\*1. \_CLOSED, \_LISTEN, \_SYN\_SENT, \_SYN\_RECEIVED, \_ESTABLISHED, \_CLOSE\_WAIT, \_FIN\_WAIT1, \_CLOSING, \_LAST\_ACK, \_FIN\_WAIT2, or \_TIME\_WAIT

	Boo lean	Bit strings				Integers							Real num- bers		Times, durations, dates, and text strings					
	BOOL	BYTE	WORD	DWORD	LWORD	USINT	UINT	UDINT	ULINT	SINT	INT	DINT	LINT	REAL	LREAL	TIME	DATE	TOD	DT	STRING
Socket		Refer to <i>Function</i> on page 2-1204 for details on the structure <code>_sSOCKET</code> .																		
TcpStatus		Refer to <i>Function</i> on page 2-1204 for the enumerators of the enumerated type <code>_eCONNECTION_STATE</code> .																		
DatRcvFlag	OK																			

## Function

The SktGetTCPStatus instruction gets the TCP connection status *TcpStatus* of the socket that is specified with *Socket*.

If there is receive data in the receive buffer, the value of data received flag *DatRcvFlag* changes to TRUE.

The value of *Done* changes to TRUE when processing of the instruction is completed normally.

Storage of the data to *TcpStatus* and *DatRcvFlag* is completed when the instruction is completed normally.

The data type of *Socket* is structure `_sSOCKET`. The specifications are as follows:

Name	Meaning	Description	Data type	Valid range	Unit	Default
Socket	Socket	Socket	_sSOCKET	---	---	---
Handle	Handle	Handle for data communications	UDINT	Depends on data type.	---	0
SrcAdr* <sup>1</sup>	Local address	Local IP address and port number	_sSOCKET_ADDRESS	---	---	---
PortNo* <sup>1</sup>	Port number	Port number	UINT	1 to 65535		0
IpAdr* <sup>1</sup>	IP address	IP address or host name. A DNS or Hosts setting is required to use a host name.	STRING	Depends on data type.	---	''
DstAdr* <sup>1</sup>	Destination address	Destination IP address and port number	_sSOCKET_ADDRESS	---	---	---
PortNo* <sup>1</sup>	Port number	Port number	UINT	1 to 65535		0
IpAdr* <sup>1</sup>	IP address	IP address or host name. A DNS or Hosts setting is required to use a host name.	STRING	Depends on data type.	---	''

\*1. These members are not used for this instruction.

The data type of *TcpStatus* is an enumerated type, `_eCONNECTION_STATE`.

The enumerators each indicate the TCP status. The following table describes the TCP status indicated by each enumerator.

Enumerators	TCP status	Description
_CLOSED	CLOSED	The connection is closed.
_LISTEN	LISTEN	The server is waiting for a connection request (SYN) with a passive open.
_SYN_SENT	SYN SENT	The client sent a connection request (SYN) for an active open, and is waiting for an acknowledgment (SYN + ACK).
_SYN_RECEIVED	SYN RECEIVED	The server sent an acknowledgment (SYN + ACK) in response to the connection request (SYN), and is waiting for an acknowledgment (ACK).
_ESTABLISHED	ESTABLISHED	The connection is established.
_CLOSE_WAIT	CLOSE WAIT	The server sent an acknowledgment (ACK) to the connection close request (FIN), and is waiting for the server application to be ready to close.
_FIN_WAIT1	FIN WAIT-1	The client sent a connection close request (FIN), and is waiting for an acknowledgment (ACK).
_CLOSING	CLOSING	The client and the server simultaneously received a connection close request (FIN), and are waiting for an acknowledgment (ACK).
_LAST_ACK	LAST-ACK	The server sent a connection close request (FIN), and is waiting for an acknowledgment (ACK).
_FIN_WAIT2	FIN WAIT-2	The client is waiting for a connection close request (FIN).
_TIME_WAIT	TIME WAIT	The client received an acknowledgment (ACK) to the connection close request (FIN) and is waiting for the server process to be completed.

## Related System-defined Variables

Name	Meaning	Data type	Description
_EIP_EtnOnlineSta* <sup>1</sup>	Online	BOOL	This variable indicates when built-in EtherNet/IP port communications can be used. TRUE: Communications are possible. FALSE: Communications are not possible.
_EIP1_EtnOnlineSta* <sup>2</sup>			
_EIP2_EtnOnlineSta* <sup>3</sup>			

- \*1. Use this variable name for an NJ-series CPU Unit.
- \*2. Use this variable name for port 1 on an NX-series CPU Unit.  
You can specify \_EIP\_EtnOnlineSta instead of \_EIP1\_EtnOnlineSta.
- \*3. Use this variable name for port 2 on an NX-series CPU Unit.

## Additional Information

Refer to the *NJ/NX-series CPU Unit Built-in EtherNet/IP Port User's Manual (Cat. No. W506)* for details on the socket service functions.

## Precautions for Correct Use

- Execution of this instruction is continued until processing is completed even if the value of *Execute* changes to FALSE or the execution time exceeds the task period. The value of *Done* changes to TRUE when processing is completed. Use this to confirm normal completion of processing.
- Refer to *Using this Section* on page 2-3 for a timing chart for *Execute*, *Done*, *Busy*, and *Error*.
- You can use this instruction for a built-in EtherNet/IP port on an NJ/NX-series CPU Unit. Or you can use this instruction through a port on an NX-series EtherNet/IP Unit by setting **IP Forward to Use** in the NX502 CPU Unit.
- You cannot use this instruction in an event task. A compiling error will occur.
- Except for NX502 CPU Units and NX102 CPU Units, you can execute a maximum of 32 of the following instructions at the same time: SktUDPCreate, SktUDPRcv, SktUDPSend, SktTCPAccept, SktTCPConnect, SktTCPRcv, SktTCPSend, SktGetTCPStatus, SktClose, SktClearBuf, SktSetOption, ModbusTCPcmd, ModbusTCPRead, and ModbusTCPWrite.  
For NX502 CPU Units and NX102 CPU Units, a maximum of 64 instructions can be executed.
- An error occurs in the following cases. *Error* will change to TRUE.
  - a) The value of a member of *Socket* is outside of the valid range.
  - b) The handle specified with *Socket.Handle* does not exist.

## Sample Programming

Refer to *Sample Programming* on page 2-1191 for the SktTCPConnect instruction.



# SktClose

The SktClose instruction closes the specified TCP or UDP socket for the EtherNet/IP.

Instruction	Name	FB/ FUN	Graphic expression	ST expression
SktClose	Close TCP/UDP Socket	FB		SktClose_instance(Execute, Socket, Done, Busy, Error, ErrorID);

## Variables

	Meaning	I/O	Description	Valid range	Unit	Default
Socket	Socket	Input	Socket	---	---	---

	Boo lean	Bit strings					Integers							Real num- bers		Times, durations, dates, and text strings				
	BOOL	BYTE	WORD	DWORD	LWORD	USINT	UINT	UDINT	ULINT	SINT	INT	DINT	LINT	REAL	LREAL	TIME	DATE	TOD	DT	STRING
Socket		Refer to <i>Function</i> on page 2-1207 for details on the structure <code>_sSOCKET</code> .																		

## Function

The SktClose instruction closes the socket that is specified with *Socket*.

If a TCP socket is specified, the socket is disconnected before it is closed.

If the socket handle *Socket.Handle* is 0, all TCP and UDP ports that currently use the socket service are closed.

The value of *Done* changes to TRUE when processing of the instruction is completed normally.

Close processing for the TCP and UDP sockets is completed when the instruction is completed normally.

The data type of *Socket* is structure `_sSOCKET`. The specifications are as follows:

Name	Meaning	Description	Data type	Valid range	Unit	Default
Socket	Socket	Socket	_sSOCKET	---	---	---
Handle	Handle	Handle of the connection to close. 0: Closes all TCP connections that currently use the socket service.	UDINT	Depends on data type.	---	0
SrcAdr* <sup>1</sup>	Local address	Local IP address and port number	_sSOCKET_ADDRESS	---	---	---
PortNo* <sup>1</sup>	Port number	Port number	UINT	1 to 65535		0
IpAdr* <sup>1</sup>	IP address	IP address or host name. A DNS or Hosts setting is required to use a host name.	STRING	Depends on data type.	---	''
DstAdr* <sup>1</sup>	Destination address	Destination IP address and port number	_sSOCKET_ADDRESS	---	---	---
PortNo* <sup>1</sup>	Port number	Port number	UINT	1 to 65535		0
IpAdr* <sup>1</sup>	IP address	IP address or host name. A DNS or Hosts setting is required to use a host name.	STRING	Depends on data type.	---	''

\*1. These members are not used for this instruction.

## Related System-defined Variables

Name	Meaning	Data type	Description
_EIP_EtnOnlineSta* <sup>1</sup>	Online	BOOL	This variable indicates when built-in EtherNet/IP port communications can be used. TRUE: Communications are possible. FALSE: Communications are not possible.
_EIP1_EtnOnlineSta* <sup>2</sup>			
_EIP2_EtnOnlineSta* <sup>3</sup>			

\*1. Use this variable name for an NJ-series CPU Unit.

\*2. Use this variable name for port 1 on an NX-series CPU Unit.  
You can specify \_EIP\_EtnOnlineSta instead of \_EIP1\_EtnOnlineSta.

\*3. Use this variable name for port 2 on an NX-series CPU Unit.

## Additional Information

Refer to the *NJ/NX-series CPU Unit Built-in EtherNet/IP Port User's Manual (Cat. No. W506)* for details on the socket service functions.

## Precautions for Correct Use

- Execution of this instruction is continued until processing is completed even if the value of *Execute* changes to FALSE or the execution time exceeds the task period. The value of *Done* changes to TRUE when processing is completed. Use this to confirm normal completion of processing.

- Refer to *Using this Section* on page 2-3 for a timing chart for *Execute*, *Done*, *Busy*, and *Error*.
- You can use this instruction for a built-in EtherNet/IP port on an NJ/NX-series CPU Unit.  
Or you can use this instruction through a port on an NX-series EtherNet/IP Unit by setting **IP Forward to Use** in the NX502 CPU Unit.
- You cannot use this instruction in an event task. A compiling error will occur.
- If the SktUDPRcv or SktTCPRcv instruction is executed and then the SktClose instruction is executed while the socket for the specified handle is on standby to received data, the standby status is canceled.
- If more than one connection is open for the same local port number, only the connection for the specified socket is closed.
- If the value of the socket handle *Socket.Handle* is 0, all connections that are on standby for the SktTCPAccept instruction are canceled.
- Except for NX502 CPU Units and NX102 CPU Units, you can execute a maximum of 32 of the following instructions at the same time: SktUDPCreate, SktUDPRcv, SktUDPSend, SktTCPAccept, SktTCPConnect, SktTCPRcv, SktTCPSEND, SktGetTCPStatus, SktClose, SktClearBuf, SktSetOption, ModbusTCPcmd, ModbusTCPRead, and ModbusTCPWrite.  
For NX502 CPU Units and NX102 CPU Units, a maximum of 64 instructions can be executed.
- An error occurs in the following cases. *Error* will change to TRUE.
  - a) There is a setting error for the local IP address.
  - b) The value of a member of *Socket* is outside of the valid range.
  - c) The handle specified with *Socket.Handle* does not exist.

## Sample Programming

Refer to *Sample Programming* on page 2-1173 for the SktUDPCreate instruction and *Sample Programming* on page 2-1191 for the SktTCPConnect instruction.

# SkClearBuf

The SktClearBuf instruction clears the receive buffer for the specified TCP or UDP socket for the EtherNet/IP.

Instruction	Name	FB/ FUN	Graphic expression	ST expression
SktClearBuf	Clear TCP/UDP Socket Receive Buffer	FB		SktClearBuf_instance(Execute, Socket, Done, Busy, Error, ErrorID);

## Variables

	Meaning	I/O	Description	Valid range	Unit	Default
Socket	Socket	Input	Socket	---	---	---

	Boo- lean	Bit strings					Integers							Real num- bers		Times, durations, dates, and text strings				
	BOOL	BYTE	WORD	DWORD	LWORD	USINT	UINT	UDINT	ULINT	SINT	INT	DINT	LINT	REAL	LREAL	TIME	DATE	TOD	DT	STRING
Socket	Refer to <i>Function</i> on page 2-1210 for details on the structure <code>_sSOCKET</code> .																			

## Function

The SktClearBuf instruction clears the receive buffer for the socket that is specified with *Socket*. The value of *Done* changes to TRUE when processing of the instruction is completed normally. Clear processing of the receive buffer is completed when the instruction is completed normally.

The data type of *Socket* is structure `_sSOCKET`. The specifications are as follows:

Name	Meaning	Description	Data type	Valid range	Unit	Default
Socket	Socket	Socket	_sSOCKET	---	---	---
Handle	Handle	The handle of the socket to clear the receive buffer	UDINT	Depends on data type.	---	0
SrcAdr* <sup>1</sup>	Local address	Local IP address and port number	_sSOCKET_ADDRESS	---	---	---
PortNo* <sup>1</sup>	Port number	Port number	UINT	1 to 65535		0
IpAdr* <sup>1</sup>	IP address	IP address or host name. A DNS or Hosts setting is required to use a host name.	STRING	Depends on data type.	---	''
DstAdr* <sup>1</sup>	Destination address	Destination IP address and port number	_sSOCKET_ADDRESS	---	---	---
PortNo* <sup>1</sup>	Port number	Port number	UINT	1 to 65535		0
IpAdr* <sup>1</sup>	IP address	IP address or host name. A DNS or Hosts setting is required to use a host name.	STRING	Depends on data type.	---	''

\*1. These members are not used for this instruction.

## Related System-defined Variables

Name	Meaning	Data type	Description
_EIP_EtnOnlineSta* <sup>1</sup>	Online	BOOL	This variable indicates when built-in EtherNet/IP port communications can be used. TRUE: Communications are possible. FALSE: Communications are not possible.
_EIP1_EtnOnlineSta* <sup>2</sup>			
_EIP2_EtnOnlineSta* <sup>3</sup>			

\*1. Use this variable name for an NJ-series CPU Unit.

\*2. Use this variable name for port 1 on an NX-series CPU Unit.  
You can specify \_EIP\_EtnOnlineSta instead of \_EIP1\_EtnOnlineSta.

\*3. Use this variable name for port 2 on an NX-series CPU Unit.

## Additional Information

Refer to the *NJ/NX-series CPU Unit Built-in EtherNet/IP Port User's Manual (Cat. No. W506)* for details on the socket service functions.

## Precautions for Correct Use

- Execution of this instruction is continued until processing is completed even if the value of *Execute* changes to FALSE or the execution time exceeds the task period. The value of *Done* changes to TRUE when processing is completed. Use this to confirm normal completion of processing.
- Refer to *Using this Section* on page 2-3 for a timing chart for *Execute*, *Done*, *Busy*, and *Error*.
- You can use this instruction for a built-in EtherNet/IP port on an NJ/NX-series CPU Unit.

Or you can use this instruction through a port on an NX-series EtherNet/IP Unit by setting **IP Forward to Use** in the NX502 CPU Unit.

- You cannot use this instruction in an event task. A compiling error will occur.
- Except for NX502 CPU Units and NX102 CPU Units, you can execute a maximum of 32 of the following instructions at the same time: SktUDPCreate, SktUDPRcv, SktUDPSend, SktTCPAccept, SktTCPConnect, SktTCPRcv, SktTCPSEND, SktGetTCPStatus, SktClose, SktClearBuf, SktSetOption, ModbusTCPcmd, ModbusTCPRead, and ModbusTCPWrite.

For NX502 CPU Units and NX102 CPU Units, a maximum of 64 instructions can be executed.

- An error will occur in the following cases. *Error* will change to TRUE.
  - a) The value of a member of *Socket* is outside of the valid range.
  - b) The socket that is specified with *Socket* does not exist.
  - c) The handle specified with *Socket.Handle* does not exist.
  - d) The handle specified with *Socket.Handle* is already used for secure socket communications.

### Sample Programming

Refer to *Sample Programming* on page 2-1191 for the SktTCPConnect instruction.

# SktSetOption

The SktSetOption instruction sets the option for TCP socket specified for the EtherNet/IP.

Instruction	Name	FB/ FUN	Graphic expression	ST expression
SktSetOption	Set TCP Socket Option	FB		SktSetOption_instance(Execute, Socket, OptionType, OptionParam, Done, Busy, Error, ErrorID);



## Version Information

A CPU Unit with unit version 1.12 or later and Sysmac Studio version 1.16 or higher are required to use this instruction.

For an NX1P2 CPU Unit, a CPU Unit with unit version 1.14 or later and Sysmac Studio 1.18 or higher are required to use this instruction.

## Variables

	Meaning	I/O	Description	Valid range	Unit	Default
Socket	Socket	Input	Socket	---	---	---
OptionType	Option type		Type of socket option	---	---	---
OptionParam	Option parameter		Setting parameters according to the specified socket option	---	---	---

	Boo lean	Bit strings				Integers							Real num bers		Times, durations, dates, and text strings					
	BOOL	BYTE	WORD	DWORD	LWORD	USINT	UINT	UDINT	ULINT	SINT	INT	DINT	LINT	REAL	LREAL	TIME	DATE	TOD	DT	STRING
Socket																				
OptionType																				
OptionParam	OK *1																			

\*1. A constant (literal) cannot be input. Specify a variable.

## Function

The SktSetOption instruction sets the socket option for the socket specified with *Socket*.

*Done* changes to TRUE when processing of the instruction is completed normally.

The socket option setting is completed when processing of the instruction is completed normally.

The data type of *Socket* is structure `_sSOCKET`. The specifications are as follows:

Name	Meaning	Description	Data type	Valid range	Unit	Default
Socket	Socket	Socket	_sSOCKET	---	---	---
Handle	Handle	The handle of the socket to clear the receive buffer	UDINT	Depends on data type.	---	0
SrcAdr* <sup>1</sup>	Local address	Local IP address and port number	_sSOCKET_ADDRESS	---	---	---
	PortNo* <sup>1</sup>	Port number	UINT	1 to 65,535		0
	IpAdr* <sup>1</sup>	IP address	STRING	Depends on data type.	---	''
DstAdr* <sup>1</sup>	Destination address	Destination IP address and port number	_sSOCKET_ADDRESS	---	---	---
	PortNo* <sup>1</sup>	Port number	UINT	1 to 65,535		0
	IpAdr* <sup>1</sup>	IP address	STRING	Depends on data type.	---	''

\*1. These members are not used for this instruction.

The following table shows the value of *OptionType* that you can specify and the data type of *OptionParam* that you can select for the specified *OptionType*. Also, the default operation when this instruction is not used is given by the default value below.

OptionType		OptionParam		
Enumerator	Meaning	Selectable data type	Meaning of value	Default
_TCP_NODELAY	Specifies the TCP_NODELAY option. It can be used only for TCP socket.	BOOL	TRUE* <sup>1</sup> : TCP_NODELAY option enabled FALSE: TCP_NODELAY option disabled	FALSE

\*1. When it is set to TRUE, the Nagle algorithm is disabled. With this setting, even small data is not transmitted collectively.

## Related System-defined Variables

Name	Meaning	Data type	Description
_EIP_EtnOnlineSta* <sup>1</sup>	Online	BOOL	This variable indicates when built-in EtherNet/IP port communications can be used. TRUE: Communications are possible. FALSE: Communications are not possible.
_EIP1_EtnOnlineSta* <sup>2</sup>			
_EIP2_EtnOnlineSta* <sup>3</sup>			

\*1. Use this variable name for an NJ-series CPU Unit.

\*2. Use this variable name for port 1 on an NX-series CPU Unit.  
You can specify \_EIP\_EtnOnlineSta instead of \_EIP1\_EtnOnlineSta.

\*3. Use this variable name for port 2 on an NX-series CPU Unit.



## Additional Information

Refer to the *NJ/NX-series CPU Unit Built-in EtherNet/IP Port User's Manual (Cat. No. W506)* for details on the socket service functions.

## Precautions for Correct Use

- Execution of this instruction is continued until processing is completed even if the value of *Execute* changes to FALSE or the execution time exceeds the task period. The value of *Done* changes to TRUE when processing is completed. Use this to confirm normal completion of processing.
- Refer to *Using this Section* on page 2-3 for a timing chart for *Execute*, *Done*, *Busy*, and *Error*.
- You can use this instruction for a built-in EtherNet/IP port on an NJ/NX-series CPU Unit. Or you can use this instruction through a port on an NX-series EtherNet/IP Unit by setting **IP Forward to Use** in the NX502 CPU Unit.
- You cannot use this instruction in an event task. A compiling error will occur.
- You can use this instruction after the socket handle is opened by the *SkTCPAccept*, or *SkTCPConnect* instruction and before data transmission is started by *SkTCPRcv*, *SkTCPSend*, or *SkClearBuf* instruction. An error will occur if you execute this instruction after data transmission is started.
- You must set the socket option for each handle specified with *Socket*. The socket option that was set is enabled while the handle is open. After closing the handle with the *SkClose* instruction, execute the *SkTCPAccept* and *SkTCPConnect* instructions again to open the handle, and then execute this instruction to set the socket option.
- Except for NX502 CPU Units and NX102 CPU Units, you can execute a maximum of 32 of the following instructions at the same time: *SkUDPCreate*, *SkUDPRcv*, *SkUDPSend*, *SkTCPAccept*, *SkTCPConnect*, *SkTCPRcv*, *SkTCPSend*, *SkGetTCPStatus*, *SkClose*, *SkClearBuf*, *SkSetOption*, *ModbusTCPcmd*, *ModbusTCPRead*, and *ModbusTCPWrite*.  
For NX502 CPU Units and NX102 CPU Units, a maximum of 64 instructions can be executed.
- An error will occur in the following cases. *Error* will change to TRUE.
  - a) The value of a member of *Socket* is outside of the valid range.
  - b) The data type specified for *OptionParam* is not supported by *OptionType*.
  - c) The specified handle socket already started transmission.
  - d) The specified socket type is not supported by the handle type. Such a case includes when the *TCP\_NODELAY* is executed for UDP socket.
  - e) The handle specified with *Socket.Handle* does not exist.

## Sample Programming

### ST

Internal Variables	Variable	Data type	Initial value	Comment
	Trigger	BOOL	FALSE	Execution condition
	DoTCP	BOOL	FALSE	Processing
	Stage	INT	0	State transition

Internal Variables	Variable	Data type	Initial value	Comment
	WkSocket	_sSOCKET	(Handle:=0, SrcAdr:=(Port-No:=0, IpAdr:="), DstAdr:=(Port-No:=0, IpAdr:="))	Socket
	SendSocketDat	ARRAY[0..1999] OF BYTE		Send data
	Nodelay	BOOL	TRUE	NoDelay setting
	SkdTCPConnect_instance	SkdTCPConnect		
	SkdSetOption_instance	SkdSetOption		
	SkdTCPSEND_instance	SkdTCPSEND		
	SkdClose_instance	SkdClose		

```

// Start sequence when Trigger changes to TRUE.
IF ((Trigger=TRUE) AND (DoTCP=FALSE) AND (_EIP_EtnOnlineSta=TRUE)) THEN
    DoTCP:=TRUE;
    Nodelay:=TRUE;
    Stage:=INT#1;
    SkdTCPConnect_instance(Execute:=FALSE); // Initialize instance.
    SkdSetOption_instance( // Initialize instance.
        Execute:=FALSE,
        OptionType:=_TCP_NODELAY,
        OptionParam:= Nodelay);
    SkdTCPSEND_instance( // Initialize instance.
        Execute:=FALSE,
        SendDat:=SendSocketDat[0]); // Dummy
    SkdClose_instance(Execute:=FALSE); // Initialize instance.
END_IF;

IF (DoTCP=TRUE) THEN
    CASE Stage OF
    1 : // Request a connection.
        SkdTCPConnect_instance(
            Execute:=TRUE,
            SrcTcpPort:=UINT#0, // Local UDP port number: Automatically
            DstAdr:='192.168.250.2', // Remote IP address
            DstTcpPort:=UINT#6000, // Destination TCP port number
            Socket =>WkSocket); // Socket
        IF (SkdTCPConnect_instance.Done=TRUE) THEN
            Stage:=INT#2; // Normal end
        ELSIF (SkdTCPConnect_instance.Error=TRUE) THEN
            Stage:=INT#10; // Error end
        END_IF;
    END_CASE;
END_IF;

```

```

2 :// Set Socket Option
  SktSetOption_instance(
    Execute:=TRUE,
    Socket:=WkSocket); // Socket
    OptionType:=_TCP_NODELAY, // Option type
    OptionParam:= Nodelay); // NODELAY enabled
  IF (SktSetOption_instance.Done=TRUE) THEN
    Stage:=INT#3; // Normal end
  ELSIF (SktSetOption_instance.Error=TRUE) THEN
    Stage:=INT#20; // Error end
  END_IF;

3 :// Send request
  SktTCPSend_instance(
    Execute:=TRUE,
    Socket:=WkSocket); // Socket
    SendDat:=SendSocketDat[0]; // Send data
    Size:=UINT#2000); // Send data size
  IF (SktTCPSend_instance.Done=TRUE) THEN
    Stage:=INT#4; // Normal end
  ELSIF (SktTCPSend_instance.Error=TRUE) THEN
    Stage:=INT#30; // Error end
  END_IF;

4 :// Request closing data.
  SktClose_instance(
    Execute:=TRUE,
    Socket:=WkSocket); // Socket
  IF (SktClose_instance.Done=TRUE) THEN
    Stage:=INT#0; // Normal end
  ELSIF (SktClose_instance.Error=TRUE) THEN
    Stage:= INT#40; // Error end
  END_IF;

0 :// Normal end
  DoTCP:=FALSE;
  Trigger:=FALSE;

ELSE // Interrupted by error.
  DoTCP:=FALSE;
  Trigger:=FALSE;
END_CASE;
END_IF;

```

# SkTTLSCoNnect

The SkTTLSCoNnect instruction uses the established TCP connection to establish a TLS session.

Instruction	Name	FB/ FUN	Graphic expression	ST expression
SkTTLSCoNnect	Establish TLS Session	FB		SkTTLSCoNnect_instance (Execute, Socket, TLSSessionName, Done, Busy, Error, ErrorID, Handle) ;



## Version Information

You can use this instruction for the following CPU Units.

- An NX502 CPU Unit
- An NX102-□□00 CPU Unit with unit version 1.46 or later or an NX102-□□20 CPU Unit with unit version 1.37 or later and Sysmac Studio version 1.46 or higher
- An NX1P2 CPU Unit with unit version 1.46 or later and Sysmac Studio version 1.46 or higher

## Variables

	Meaning	I/O	Description	Valid range	Unit	Initial value
Socket	Socket	Input	Socket	---	---	---
TLSSes-sionName	TLS session name		Specifies the TLS session name that was set with <b>Secure Socket Settings</b> Dialog Box.*1	17 bytes max. (plus a final NULL)	---	---
Handle	TLS session handle	Output	Outputs the TLS session handle.	16#00000000 to FFFFFFFF	---	---

\*1. How to configure the secure socket service functions depends on the CPU Unit version, project unit version, and Sysmac Studio version. Some of these versions use Secure Socket Configuration commands instead of the **Secure Socket Settings** Dialog Box. Refer to *Procedure to Use Secure Socket Setting Function of the Sysmac Studio* in the *NJ/NX-series CPU Unit Built-in EtherNet/IP Port User's Manual (Cat. No. W506)*.

	Boo lean	Bit strings					Integers							Real numbers		Times, durations, dates, and text strings					
	BOOL	BYTE	WORD	DWORD	LWORD	USINT	UINT	UDINT	ULINT	SINT	INT	DINT	LINT	REAL	LREAL	TIME	DATE	TOD	DT	STRING	
Socket																					
TLSSes-sionName																					OK
Handle				OK																	

## Function

The SktTLSConnect instruction establishes the TLS connection specified with *TLSSessionName* (TLS session name), through the TCP connection created with *Socket* (socket) of the SktTCPConnect (Connect TCP Socket) instruction.

Refer to *SktTCPConnect* on page 2-1189 for the SktTCPConnect (Connect TCP Socket) instruction.

## Related System-defined Variables

Name	Meaning	Data type	Description
<i>_EIP_EtnOnlineSta</i> *1	Online	BOOL	This variable indicates when built-in EtherNet/IP port communications can be used. TRUE: Communications are possible. FALSE: Communications are not possible.
<i>_EIP1_EtnOnlineSta</i> *2			
<i>_EIP2_EtnOnlineSta</i> *3			

\*1. Use this variable name for an NJ-series CPU Unit.

\*2. Use this variable name for port 1 on an NX-series CPU Unit.  
You can specify *\_EIP\_EtnOnlineSta* instead of *\_EIP1\_EtnOnlineSta*.

\*3. Use this variable name for port 2 on an NX-series CPU Unit.

## Additional Information

- Refer to the *NJ/NX-series CPU Unit Built-in EtherNet/IP Port User's Manual (Cat. No. W506)* for details on the secure socket service functions.
- In executing the Simulator, when *Execute* changes from FALSE to TRUE, *Done* changes to TRUE. Data will not be output to the communications line.

## Precautions for Correct Use

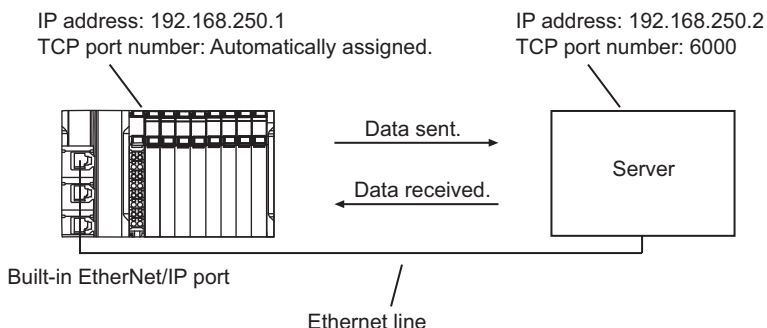
- Execution of this instruction is continued until processing is completed even if the value of *Execute* changes to FALSE or the execution time exceeds the task period. The value of *Done* changes to TRUE when processing is completed. Use this to confirm normal completion of processing.
- Refer to *Using this Section* on page 2-3 for a timing chart for *Execute*, *Done*, *Busy*, and *Error*.
- You can use this instruction for a built-in EtherNet/IP port.  
Or you can use this instruction through a port on an NX-series EtherNet/IP Unit by setting **IP Forward to Use** in the NX502 CPU Unit.
- Use the **Secure Socket Settings** Dialog Box to set the secure socket setting to the CPU Unit in advance. Refer to *NJ/NX-series CPU Unit Built-in EtherNet/IP Port User's Manual (Cat. No. W506)* for details on the **Secure Socket Settings** Dialog Box.  
Also, how to configure the secure socket service functions depends on the CPU Unit version, project unit version, and Sysmac Studio version. Some of these versions use Secure Socket Configuration commands instead of the **Secure Socket Setting** dialog box. Refer to *Procedure to Use Secure Socket Setting Function of the Sysmac Studio* in the *NJ/NX-series CPU Unit Built-in EtherNet/IP Port User's Manual (Cat. No. W506)*.
- You cannot use the handle of the same *Socket* (socket) to establish multiple TLS sessions. To establish multiple TLS sessions, use the SktTCPConnect instruction to create a handle of *Socket* (socket).
- After a TLS session is established, the SktTCPRcv instruction, SktTCPSend instruction, SktClearBuf instruction, ModbusTCPcmd instruction, ModbusTCPRead instruction, and ModbusTCPWrite

instruction cannot use the handle of *Socket* (socket) that is used for the TLS session. If it is used, an error will occur when the instruction is executed.

- You cannot use this instruction in an event task. A compiling error will occur.
- *Handle* (TLS session handle) of the output variable created by this instruction closes when you perform any of the following:
  - a) When you execute the *SkdTLSDisconnect* instruction or the *SkdClose* instruction
  - b) When you change the Controller from RUN mode to PROGRAM mode
- Except for NX502 CPU Units and NX102 CPU Units, you can execute a maximum of 64 of the following instructions at the same time: *SkdUDPCreate*, *SkdUDPRcv*, *SkdUDPSend*, *SkdTCPAccept*, *SkdTCPConnect*, *SkdTCPRcv*, *SkdTCPSend*, *SkdGetTCPStatus*, *SkdClose*, *SkdClearBuf*, *SkdSetOption*, *SkdTLSConnect*, *SkdTLSRead*, *ModbusTCPcmd*, *ModbusTCPRead*, and *ModbusTCPWrite*. For NX1P2 CPU Units, a maximum of 32 instructions can be executed.
- An error will occur in the following cases. *Error* will change to TRUE.
  - a) The value of any input parameter is outside of the valid range.
  - b) *TLSSessionName* (TLS session name) is not specified.
  - c) The size of *TLSSessionName* (TLS session name) is larger than the maximum value.
  - d) Data was not received within the time that is specified with *TimeOut* (timeout value).
  - e) The handle specified with *Socket.Handle* does not exist.
  - f) The specified *TLSSessionName* (TLS session name) is not specified in the secure socket setting.
  - g) A client certificate is not transferred to the Controller.
  - h) A password is set to the transferred client certificate.
  - i) There is no secure socket setting, or the contents of the secure socket setting are incorrect.
  - j) The contents of the client certificate are incorrect.
  - k) The private key of the client certificate is incorrect.
  - l) Establishment of secure socket communications failed.
  - m) The handle specified with *Socket.Handle* is already used for secure socket communications.

## Sample Programming

In this sample, the secure socket communications are used for data communications between the communications port 1 of the built-in EtherNet/IP of an NX102 CPU Unit or an NX1P2 CPU Unit and a server.



## User Program

Before executing the sample program, set the secure socket setting to the CPU Unit using the **Secure Socket Settings** Dialog Box. This sample program sequentially executes socket service instructions and secure socket service instructions.

If an error occurs when an instruction is executed, instructions after the one for which an error was detected will not be executed.

The processing procedure is as follows:

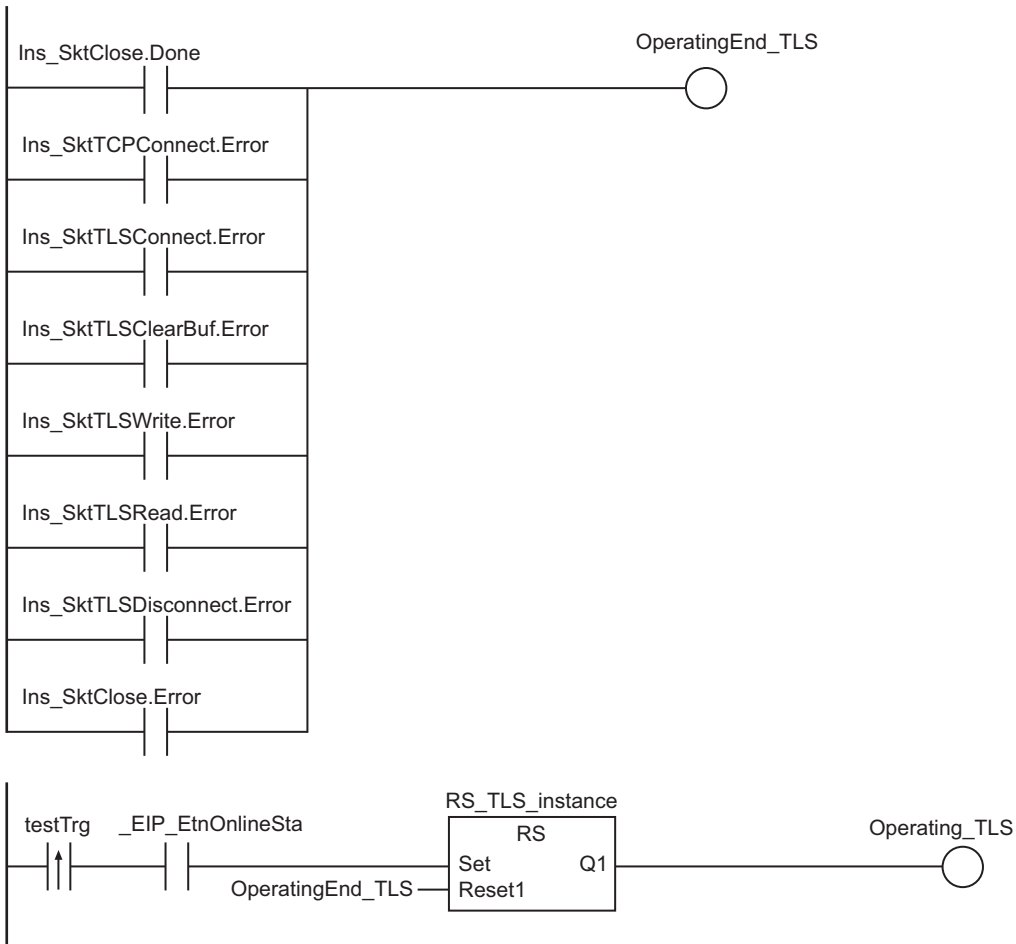
- 1** The SktTCPConnect instruction is used to make a request for connection to the TCP port on the server.
- 2** The SktTLSConnect instruction is used to make a request to the server for establishment of secure socket communications.
- 3** The SktTLSClearBuf instruction is used to clear the buffer.
- 4** The SktTLSWrite instruction is used to make a data send request. The data stored in tlsSendDat[] will be sent.
- 5** The SktTLSRead instruction is used to make a data receive request. The received data is stored in tlsRcvDat[].
- 6** The SktTLSDisconnect instruction is used to end the secure socket communications.
- 7** The SktClose instruction is used to close the socket.

## LD

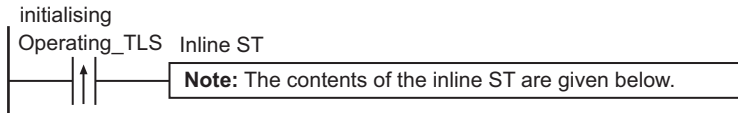
Internal Variables	Variable	Data type	Initial value	Comment
	testTrg	BOOL	FALSE	Execution condition
	Operating_TLS	BOOL		Processing
	OperatingEnd_TLS	BOOL		State transition
	dstAdr	STRING[256]		Destination IP address or host name
	dstTcpPort	UINT		Destination port number
	sock	_sSOCKET	(Handle := 0, SrcAdr := (PortNo := 0, IpAdr := ""), DstAdr := (PortNo := 0, IpAdr := ""))	Socket
	tlsSessionName	STRING[17]		TLS session name
	tlsSessionHandle	DWORD		TLS session handle

Internal Variables	Variable	Data type	Initial value	Comment
	tlsSendDat	ARRAY[0..1024] OF BYTE	[1025(16#0)]	Send data
	tlsRcvDat	ARRAY[0..1024] OF BYTE	[1025(16#0)]	Receive data
	tlsSendSize	UINT		Data size to send
	tlsRcvSize	UINT		Maximum data size that can be received
	rcvedSize	UINT	0	Data size that was received
	timeOutTime	UINT	10	Timeout time
	Ins_SktTCPConnect	SketTCPConnect		
	Ins_SktTLSConnect	SketTLSConnect		
	Ins_SktTLSClearBuf	SketTLSClearBuf		
	Ins_SktTLSWrite	SketTLSWrite		
	Ins_SktTLSRead	SketTLSRead		
	Ins_SktTLSDisconnect	SketTLSDisconnect		
	Ins_SktClose	SketClose		
	RS_TLS_instance	RS		

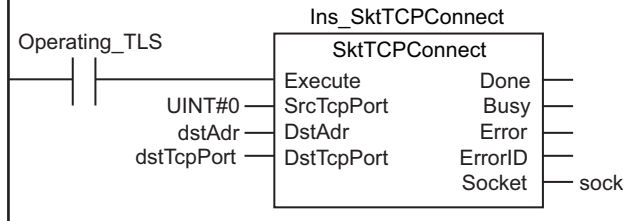
Start Program when testTrg rise.  
Success or Error abort.



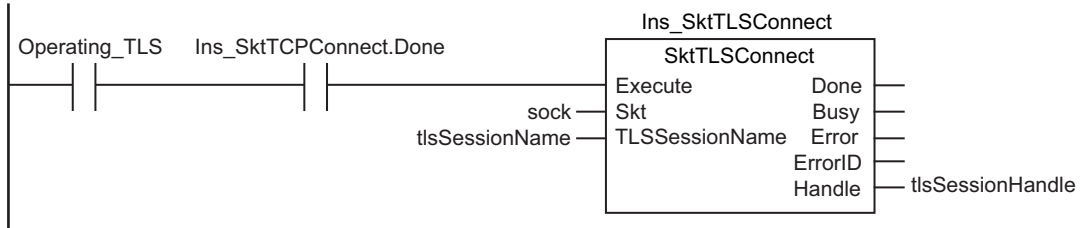




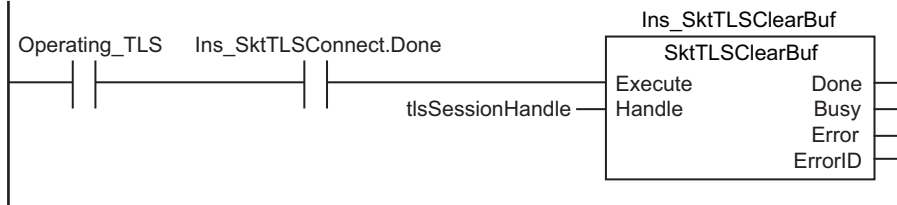
Executing SktTCPConnect for making a TCP socket.



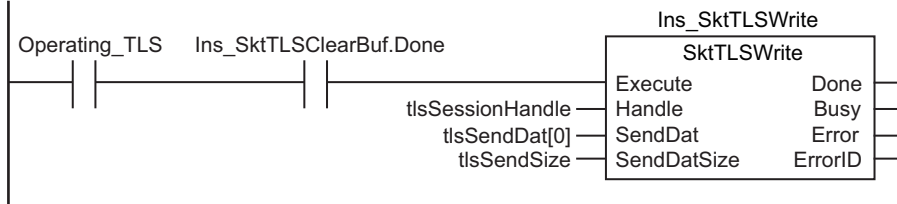
Executing SktTLSConnect for establishing a secure connection.



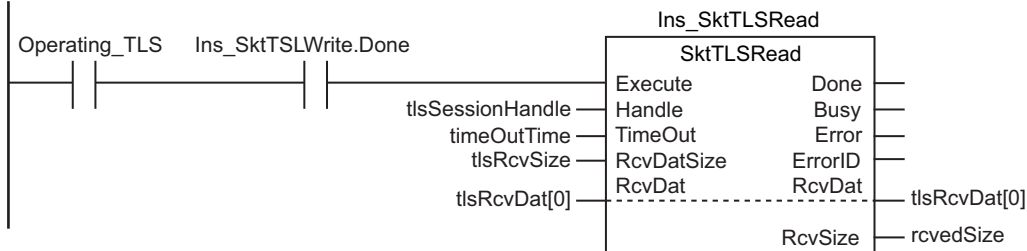
Execute SktTLSClearBuf for clearing the buffer.

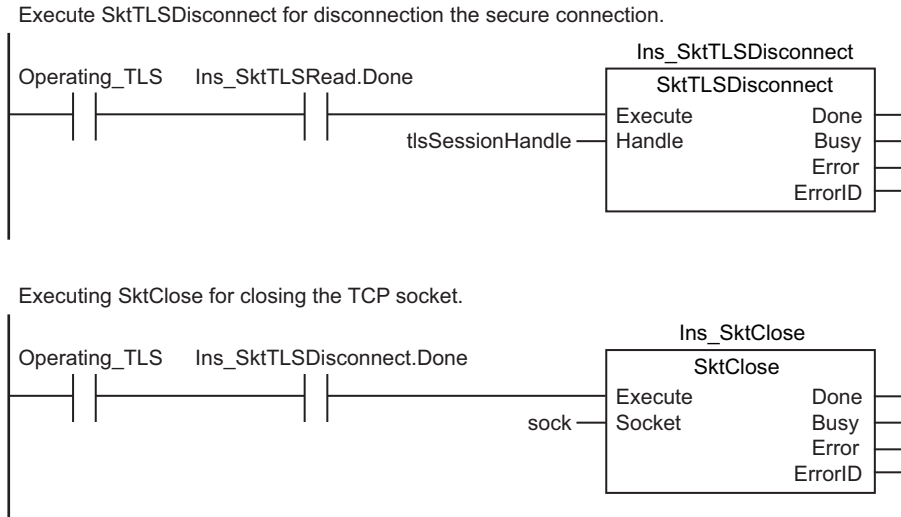


Execute SktTLSWrite for sending data to the server.



Execute SktTLSRead for receiving data from the server.





### ● Contents of Inline ST

```
//Configuring settings for connecting to the server.
//"tlsSessionName" must be equal to a name written in TLS setting file.
dstAdr      := '192.168.250.2';
dstTcpPort  := 6000;
tlsSessionName := 'TLSSession0';

tlsSendSize := SizeOfAry(In:=tlsSendDat);
tlsRcvSize  := SizeOfAry(In:=tlsRcvDat);
```

## ST

Internal Variables	Variable	Data type	Initial value	Comment
	testTrg	BOOL	FALSE	Execution condition
	DoTLS	BOOL		Processing
	mainStage	UINT	1	State transition
	dstAdr	STRING[256]		Destination IP address or host name
	dstTcpPort	UINT		Destination port number
	sock	_sSOCKET	(Handle := 0, SrcAdr := (PortNo := 0, IpAdr := ""), DstAdr := (PortNo := 0, IpAdr := ""))	Socket
	tlsSessionName	STRING[17]		TLS session name
	tlsSessionHandle	DWORD		TLS session handle
	tlsSendDat	ARRAY[0..1024] OF BYTE	[1025(16#0)]	Send data

Internal Variables	Variable	Data type	Initial value	Comment
	tlsRcvDat	ARRAY[0..1024] OF BYTE	[1025(16#0)]	Receive data
	tlsRcvSize	UINT	0	Data size that was received
	timeOutTime	UINT	10	Timeout time
	Ins_SktTCPConnect	SkTtcpConnect		
	Ins_SktTLSConnect	SkTtlsConnect		
	Ins_SktTLSClearBuf	SkTtlsclearBuf		
	Ins_SktTLSWrite	SkTtlsWrite		
	Ins_SktTLSRead	SkTtlsRead		
	Ins_SktTLSDisconnect	SkTtlsDisconnect		
	Ins_SktClose	SkTclose		

```

//Start Program when testTrg rise.
IF ( (testTrg=TRUE) AND (DoTLS = FALSE) AND ( _EIP_EtnOnlineSta =TRUE ) ) THEN
  DoTLS:=TRUE;
  mainStage := 1;

  Ins_SktTCPConnect( Execute:=FALSE ); //Initilise instance
  Ins_SktTLSConnect( Execute:=FALSE ); //Initilise instance
  Ins_SktTLSClearBuf( Execute:=FALSE ); //Initilise instance
  Ins_SktTLSWrite( //Initilise instance
    Execute:=FALSE,
    SendDat:=tlsSendDat[0] ); //dummy
  Ins_SktTLSRead( //Initilise instance
    Execute:=FALSE,
    RcvDat:=tlsRcvDat[0] ); //dummy
  Ins_SktTLSDisconnect( Execute:=FALSE ); //Initilise instance
  Ins_SktClose( Execute:=FALSE ); //Initilise instance

  //Configuring settings for connecting to the server
  //"tlsSessionName" must be equal to a name written in TLS setting file.
  dstAdr :='192.168.250.2';
  dstTcpPort :=6000;
  tlsSessionName :='TLSSession0';

END_IF;

IF(DoTLS=TRUE) THEN
  CASE mainStage OF
  1://SkTtcpConnect
    Ins_SktTCPConnect(
      Execute :=TRUE,
      SrcTcpPort :=UINT#0, //own TCP port number(auto allocation)
      DstAdr :=dstAdr, //target IP Address or host name

```

```

        DstTcpPort :=dstTcpPort, //target TCP port number
        Socket =>sock ); //socket variable
    IF ( Ins_SktTCPConnect.Done=TRUE )THEN
        mainStage:=2; //Success
    ELSIF( Ins_SktTCPConnect.Error=TRUE )THEN
        mainStage:=101; //Error
    END_IF;

2://SkdtLSConnect
Ins_SktTLSConnect(
    Execute :=TRUE,
    Socket :=sock, //socket variable
    TLSSessionName :=tlsSessionName, //TLS session name
    Handle =>tlsSessionHandle ); //TLS session handle
IF ( Ins_SktTLSConnect.Done=TRUE )THEN
    mainStage:=3; //Success
ELSIF( Ins_SktTLSConnect.Error=TRUE )THEN
    mainStage:=102; //Error
END_IF;

3://SkdtLSClearBuf
Ins_SktTLSClearBuf(
    Execute :=TRUE,
    Handle :=tlsSessionHandle); //TLS session handle
IF( Ins_SktTLSClearBuf.Done=TRUE )THEN
    mainStage:=4; //Success
ELSIF( Ins_SktTCPConnect.Error=TRUE )THEN
    mainStage:=103; //Error
END_IF;

4: //SkdtLSWrite
Ins_SktTLSWrite(
    Execute :=TRUE,
    Handle :=tlsSessionHandle, //TLS session handle
    SendDat :=tlsSendDat[0], //sending data
    SendDatSize :=SizeOfAry( In:=tlsSendDat ) ); //sending data size
IF( Ins_SktTLSWrite.Done=TRUE )THEN
    mainStage:=5; //Success
ELSIF( Ins_SktTLSWrite.Error=TRUE )THEN
    mainStage:=104; //Error
END_IF;

5://SkdtLSRead
Ins_SktTLSRead(
    Execute :=TRUE,
    Handle :=tlsSessionHandle, //TLS session handle
    Timeout :=timeOutTime, //timeout time

```

```

        RcvDatSize :=SizeOfAry( In:=tlsRcvDat ), //receive buffer size
        RcvDat :=tlsRcvDat[0], //receiving data
        RcvSize =>tlsRcvSize ); //receiving data size
    IF( Ins_SktTLSRead.Done=TRUE )THEN
        mainStage:=6; //Success
    ELSIF( Ins_SktTLSRead.Error=TRUE )THEN
        mainStage:=105; //Error
    END_IF;

6://SkTlsDisconnect
    Ins_SktTLSDisconnect(
        Execute :=TRUE,
        Handle :=tlsSessionHandle ); //TLS session handle
    IF( Ins_SktTLSDisconnect.Done=TRUE )THEN
        mainStage:=7; //Success
    ELSIF( Ins_SktTLSDisconnect.Error=TRUE )THEN
        mainStage:=106; //Error
    END_IF;

7://SkTlsClose
    Ins_SktClose(
        Execute :=TRUE,
        Socket :=sock ); //socket variable
    IF( Ins_SktClose.Done=TRUE )THEN
        mainStage:=0; //Success
    ELSIF(Ins_SktClose.Error=TRUE )THEN
        mainStage:=107; //Error
    END_IF;

0://Success
    DoTLS := FALSE;
    testTrg := FALSE;

ELSE //Error abort
    DoTLS := FALSE;
    testTrg := FALSE;
END_CASE;
END_IF;

```

# SkTTLsRead

The SkTTLsRead instruction reads the data from the receive buffer for a specified TLS session for the EtherNet/IP.

Instruction	Name	FB/ FUN	Graphic expression	ST expression
SkTTLsRead	Receive TLS	FB		SkTTLsRead_instance (Execute, Handle, TimeOut, RcvDatSize, RcvDat, Done, Busy, Error, ErrorID, RcvSize );



## Version Information

You can use this instruction for the following CPU Units.

- An NX502 CPU Unit
- An NX102-□□00 CPU Unit with unit version 1.46 or later or an NX102-□□20 CPU Unit with unit version 1.37 or later and Sysmac Studio version 1.46 or higher
- An NX1P2 CPU Unit with unit version 1.46 or later and Sysmac Studio version 1.46 or higher

## Variables

	Meaning	I/O	Description	Valid range	Unit	Default
Handle	TLS session handle	Input	Specifies the TLS session handle.	16#00000000 to FFFFFFFF	---	---
TimeOut	Timeout value		0: No timeouts 1 to 65535: 0.1 to 6553.5 seconds	0 to 65535	0.1 s	0
RcvDatSize	Receive data size		Specifies the number of bytes to receive of the array to be specified with RcvDat.	0 to 2000*1	Bytes	1
RcvDat[] (array)	Receive data	In-out	Writes the received data into the specified variable.	---	---	---
RcvSize	Receive size	Output	Outputs the receive size when the receive data was written into the specified variable.	0 to 2000	Bytes	---

\*1. When the size is 0, the instruction ends normally without receiving data.

	Boo lean	Bit strings				Integers							Real num- bers		Times, durations, dates, and text strings					
	BOOL	BYTE	WORD	DWORD	LWORD	USINT	UINT	UDINT	ULINT	SINT	INT	DINT	LINT	REAL	LREAL	TIME	DATE	TOD	DT	STRING
Handle				OK																
TimeOut							OK													
RcvDatSize							OK													
RcvDat[] (ar- ray)		OK																		
RcvSize							OK													

## Function

The SktTLRead instruction stores the data in the receive buffer for the *Handle* (TLS session handle) specified with *Handle* (TLS session handle), into *RcvDat[]* (*array*) (receive data).

The size of the data to store is specified with *RcvDatSize* (receive data size).

After the data was stored, the stored data size is assigned to *RcvSize* (receive size).

If there is no data in the receive buffer, the instruction waits for data for the period of time that is set with *TimeOut* (timeout value). If a response does not return within the timeout time, it is determined as a timeout error.

Storage of the data to *RcvDat[]* *array* (receive data) is complete when the instruction has come to a normal end. The normal end is a state where the value of *Done* has changed to TRUE.

## Related System-defined Variables

Name	Meaning	Data type	Description
<i>_EIP_EtnOnlineSta</i> <sup>*1</sup>	Online	BOOL	This variable indicates when built-in EtherNet/IP port communications can be used. TRUE: Communications are possible. FALSE: Communications are not possible.
<i>_EIP1_EtnOnlineSta</i> <sup>*2</sup>			
<i>_EIP2_EtnOnlineSta</i> <sup>*3</sup>			

\*1. Use this variable name for an NJ-series CPU Unit.

\*2. Use this variable name for port 1 on an NX-series CPU Unit.  
You can specify *\_EIP\_EtnOnlineSta* instead of *\_EIP1\_EtnOnlineSta*.

\*3. Use this variable name for port 2 on an NX-series CPU Unit.

## Additional Information

- Refer to the *NJ/NX-series CPU Unit Built-in EtherNet/IP Port User's Manual (Cat. No. W506)* for details on the secure socket service functions.
- In executing the Simulator, when *Execute* changes from FALSE to TRUE, *Done* changes to TRUE. Data will not be output to the communications line.

## Precautions for Correct Use

- Execution of this instruction is continued until processing is completed even if the value of *Execute* changes to FALSE or the execution time exceeds the task period. The value of *Done* changes to TRUE when processing is completed. Use this to confirm normal completion of processing.

- Refer to *Using this Section* on page 2-3 for a timing chart for *Execute*, *Done*, *Busy*, and *Error*.
- You can use this instruction for a built-in EtherNet/IP port.  
Or you can use this instruction through a port on an NX-series EtherNet/IP Unit by setting **IP Forward to Use** in the NX502 CPU Unit.
- You cannot use this instruction in an event task. A compiling error will occur.
- When *RcvDataSize* (receive data size) is 0, the instruction immediately ends normally regardless of the value of *TimeOut* (timeout value).
- Except for NX502 CPU Units and NX102 CPU Units, you can execute a maximum of 64 of the following instructions at the same time: SktUDPCreate, SktUDPRcv, SktUDPSend, SktTCPAccept, SktTCPConnect, SktTCPRcv, SktTCPSend, SktGetTCPStatus, SktClose, SktClearBuf, SktSetOption, SktTLSConnect, SktTLSRead, ModbusTCPcmd, ModbusTCPRead, and ModbusTCPWrite. For NX1P2 CPU Units, a maximum of 32 instructions can be executed.
- An error will occur in the following cases. *Error* will change to TRUE.
  - a) The value of any input parameter is outside of the valid range.
  - b) *RcvSize* (receive size) exceeded the area of *RcvDat[] array* (receive data).
  - c) A data type that is not supported was specified for *RcvDat[] array* (receive data).
  - d) *Handle* (TLS session handle) specified with the secure socket service instructions is invalid.
  - e) An error occurred during secure socket communications.

### Sample Programming

Refer to *Sample Programming* on page 2-1220 for the SktTLSConnect instruction.



# SkTlsWrite

The SkTlsWrite instruction sends data from a specified TLS session for the EtherNet/IP.

Instruction	Name	FB/ FUN	Graphic expression	ST expression
SkTlsWrite	Send TLS	FB		SkTlsWrite_instance (Execute, Handle, SendDat, SendDatSize, Done, Busy, Error, ErrorID) ;



## Version Information

You can use this instruction for the following CPU Units.

- An NX502 CPU Unit
- An NX102-□□00 CPU Unit with unit version 1.46 or later or an NX102-□□20 CPU Unit with unit version 1.37 or later and Sysmac Studio version 1.46 or higher
- An NX1P2 CPU Unit with unit version 1.46 or later and Sysmac Studio version 1.46 or higher

## Variables

	Meaning	I/O	Description	Valid range	Unit	Default
Handle	TLS session handle	Input	Specifies the TLS session handle.	16#00000000 to FFFFFFFF	---	---
SendDat[] (array)	Send data		Specifies the variable to send.	---	---	---
SendDat- Size	Send data size		Specifies the number of bytes to send of the array that starts from SendDat.	0 to 2000*1	Bytes	1

\*1. When the size is 0, the instruction ends normally without sending data.

	Boo lean	Bit strings				Integers							Real num- bers		Times, durations, dates, and text strings					
	BOOL	BYTE	WORD	DWORD	LWORD	USINT	UINT	UDINT	ULINT	SINT	INT	DINT	LINT	REAL	LREAL	TIME	DATE	TOD	DT	STRING
Handle				OK																
SendDat[] (array)		OK																		
SendDat- Size							OK													

## Function

The SkTlsWrite instruction sends *SendDat[] (array)* (send data) from the TLS session specified with *Handle* (TLS session handle).

The size of the data to send is specified in *SendDatSize* (send data size).

## Related System-defined Variables

Name	Meaning	Data type	Description
<code>_EIP_EtnOnlineSta</code> *1	Online	BOOL	This variable indicates when built-in EtherNet/IP port communications can be used. TRUE: Communications are possible. FALSE: Communications are not possible.
<code>_EIP1_EtnOnlineSta</code> *2			
<code>_EIP2_EtnOnlineSta</code> *3			

- \*1. Use this variable name for an NJ-series CPU Unit.
- \*2. Use this variable name for port 1 on an NX-series CPU Unit.  
You can specify `_EIP_EtnOnlineSta` instead of `_EIP1_EtnOnlineSta`.
- \*3. Use this variable name for port 2 on an NX-series CPU Unit.

## Additional Information

- Refer to the *NJ/NX-series CPU Unit Built-in EtherNet/IP Port User's Manual (Cat. No. W506)* for details on the secure socket service functions.
- In executing the Simulator, when *Execute* changes from FALSE to TRUE, *Done* changes to TRUE. Data will not be output to the communications line.

## Precautions for Correct Use

- Execution of this instruction is continued until processing is completed even if the value of *Execute* changes to FALSE or the execution time exceeds the task period. The value of *Done* changes to TRUE when processing is completed. Use this to confirm normal completion of processing.
- Refer to *Using this Section* on page 2-3 for a timing chart for *Execute*, *Done*, *Busy*, and *Error*.
- You can use this instruction for a built-in EtherNet/IP port.  
Or you can use this instruction through a port on an NX-series EtherNet/IP Unit by setting **IP Forward to Use** in the NX502 CPU Unit.
- You cannot use this instruction in an event task. A compiling error will occur.
- Except for NX502 CPU Units and NX102 CPU Units, you can execute a maximum of 64 of the following instructions at the same time: `SktUDPCreate`, `SktUDPRcv`, `SktUDPSend`, `SktTCPAccept`, `SktTCPConnect`, `SktTCPRcv`, `SktTCPSend`, `SktGetTCPStatus`, `SktClose`, `SktClearBuf`, `SktSetOption`, `SktTLSConnect`, `SktTLSRead`, `ModbusTCPcmd`, `ModbusTCPRead`, and `ModbusTCPWrite`. For NX1P2 CPU Units, a maximum of 32 instructions can be executed.
- An error will occur in the following cases. *Error* will change to TRUE.
  - a) The value of any input parameter is outside of the valid range.
  - b) *SendDatSize* (send data size) has exceeded the area of *SendDat[] array* (send data).
  - c) A data type that is not supported was specified for *SendDat[] array* (send data).
  - d) Nothing was received from the remote node for a certain period.
  - e) *Handle* (TLS session handle) is invalid.
  - f) An error occurred during secure socket communications.

## Sample Programming

Refer to *Sample Programming* on page 2-1220 for the `SktTLSConnect` instruction.

# SkTlsDisconnect

The SkTlsDisconnect instruction disconnects the specified TLS session for the EtherNet/IP.

Instruction	Name	FB/ FUN	Graphic expression	ST expression
SkTlsDisconnect	Disconnect TLS Session	FB		SkTlsDisconnect_instance (Execute, Handle, Done, Busy, Error, ErrorID) ;



## Version Information

You can use this instruction for the following CPU Units.

- An NX502 CPU Unit
- An NX102-□□00 CPU Unit with unit version 1.46 or later or an NX102-□□20 CPU Unit with unit version 1.37 or later and Sysmac Studio version 1.46 or higher
- An NX1P2 CPU Unit with unit version 1.46 or later and Sysmac Studio version 1.46 or higher

## Variables

	Meaning	I/O	Description	Valid range	Unit	Default
Handle	TLS session handle	Input	Disconnects the specified TLS session handle.	16#00000000 to FFFFFFFF	---	---

	Boo lean	Bit strings				Integers							Real numbers		Times, durations, dates, and text strings					
	BOOL	BYTE	WORD	DWORD	LWORD	USINT	UINT	UDINT	ULINT	SINT	INT	DINT	LINT	REAL	LREAL	TIME	DATE	TOD	DT	STRING
Handle				OK																

## Function

The SkTlsDisconnect instruction disconnects the TLS session specified with *Handle* (TLS session handle).

After executing this instruction, be sure to execute SktClose instruction to close the socket. Closing the socket may take some time depending on the connection destination.

## Related System-defined Variables

Name	Meaning	Data type	Description
_EIP_EtnOnlineSta* <sup>1</sup>	Online	BOOL	This variable indicates when built-in EtherNet/IP port communications can be used. TRUE: Communications are possible. FALSE: Communications are not possible.
_EIP1_EtnOnlineSta* <sup>2</sup>			
_EIP2_EtnOnlineSta* <sup>3</sup>			

- \*1. Use this variable name for an NJ-series CPU Unit.
- \*2. Use this variable name for port 1 on an NX-series CPU Unit.  
You can specify \_EIP\_EtnOnlineSta instead of \_EIP1\_EtnOnlineSta.
- \*3. Use this variable name for port 2 on an NX-series CPU Unit.

## Additional Information

- Refer to the *NJ/NX-series CPU Unit Built-in EtherNet/IP Port User's Manual (Cat. No. W506)* for details on the secure socket service functions.
- In executing the Simulator, when *Execute* changes from FALSE to TRUE, *Done* changes to TRUE. Data will not be output to the communications line.

## Precautions for Correct Use

- Execution of this instruction is continued until processing is completed even if the value of *Execute* changes to FALSE or the execution time exceeds the task period. The value of *Done* changes to TRUE when processing is completed. Use this to confirm normal completion of processing.
- Refer to *Using this Section* on page 2-3 for a timing chart for *Execute*, *Done*, *Busy*, and *Error*.
- You can use this instruction for a built-in EtherNet/IP port.  
Or you can use this instruction through a port on an NX-series EtherNet/IP Unit by setting **IP Forward to Use** in the NX502 CPU Unit.
- You cannot use this instruction in an event task. A compiling error will occur.
- When reception is on standby (SktTLSRead) with the specified *Handle* (TLS session handle), the standby status is canceled and the instruction is complete.
- Except for NX502 CPU Units and NX102 CPU Units, you can execute a maximum of 64 of the following instructions at the same time: SktUDPCreate, SktUDPRcv, SktUDPSend, SktTCPAccept, SktTCPConnect, SktTCPRcv, SktTCPSend, SktGetTCPStatus, SktClose, SktClearBuf, SktSetOption, SktTLSConnect, SktTLSRead, ModbusTCPcmd, ModbusTCPRead, and ModbusTCPWrite. For NX1P2 CPU Units, a maximum of 32 instructions can be executed.
- An error will occur in the following cases. *Error* will change to TRUE.
  - a) *Handle* (TLS session handle) is invalid.
  - b) An error occurred during secure socket communications.

## Sample Programming

Refer to *Sample Programming* on page 2-1220 for the SktTLSConnect instruction.

# SkTLSClearBuf

The SkTLSClearBuf instruction clears the receive buffer for a specified TLS session for the EtherNet/IP.

Instruction	Name	FB/ FUN	Graphic expression	ST expression
SkTLSClear- Buf	Clear TLS Ses- sion Receive Buffer	FB		SkTLSClearBuf_instance (Execute, Handle, Done, Busy, Error, ErrorID) ;



## Version Information

You can use this instruction for the following CPU Units.

- An NX502 CPU Unit
- An NX102-□□00 CPU Unit with unit version 1.46 or later or an NX102-□□20 CPU Unit with unit version 1.37 or later and Sysmac Studio version 1.46 or higher
- An NX1P2 CPU Unit with unit version 1.46 or later and Sysmac Studio version 1.46 or higher

## Variables

	Meaning	I/O	Description	Valid range	Unit	Default
Handle	TLS session handle	Input	Specifies the TLS session handle.	16#00000000 to FFFFFFFF	---	---

	Boo lean	Bit strings				Integers								Real numbers		Times, durations, dates, and text strings				
	BOOL	BYTE	WORD	DWORD	LWORD	USINT	UINT	UDINT	ULINT	SINT	INT	DINT	LINT	REAL	LREAL	TIME	DATE	TOD	DT	STRING
Handle				OK																

## Function

The SkTLSClearBuf instruction clears the receive buffer for the TLS session specified with *Handle* (TLS session handle).

Clear processing of the receive buffer is complete when the instruction has come to a normal end. The normal end is a state where the value of *Done* has changed to TRUE.

## Related System-defined Variables

Name	Meaning	Data type	Description
_EIP_EtnOnlineSta* <sup>1</sup>	Online	BOOL	This variable indicates when built-in EtherNet/IP port communications can be used. TRUE: Communications are possible. FALSE: Communications are not possible.
_EIP1_EtnOnlineSta* <sup>2</sup>			
_EIP2_EtnOnlineSta* <sup>3</sup>			

- \*1. Use this variable name for an NJ-series CPU Unit.
- \*2. Use this variable name for port 1 on an NX-series CPU Unit.  
You can specify \_EIP\_EtnOnlineSta instead of \_EIP1\_EtnOnlineSta.
- \*3. Use this variable name for port 2 on an NX-series CPU Unit.

## Additional Information

- Refer to the *NJ/NX-series CPU Unit Built-in EtherNet/IP Port User's Manual (Cat. No. W506)* for details on the secure socket service functions.
- In executing the Simulator, when *Execute* changes from FALSE to TRUE, *Done* changes to TRUE. Data will not be output to the communications line.

## Precautions for Correct Use

- Execution of this instruction is continued until processing is completed even if the value of *Execute* changes to FALSE or the execution time exceeds the task period. The value of *Done* changes to TRUE when processing is completed. Use this to confirm normal completion of processing.
- Refer to *Using this Section* on page 2-3 for a timing chart for *Execute*, *Done*, *Busy*, and *Error*.
- You can use this instruction for a built-in EtherNet/IP port.  
Or you can use this instruction through a port on an NX-series EtherNet/IP Unit by setting **IP Forward to Use** in the NX502 CPU Unit.
- You cannot use this instruction in an event task. A compiling error will occur.
- Except for NX502 CPU Units and NX102 CPU Units, you can execute a maximum of 64 of the following instructions at the same time: SktUDPCreate, SktUDPRcv, SktUDPSend, SktTCPAccept, SktTCPConnect, SktTCPRcv, SktTCPSend, SktGetTCPStatus, SktClose, SktClearBuf, SktSetOption, SktTLSConnect, SktTLSRead, ModbusTCPcmd, ModbusTCPRead, and ModbusTCPWrite. For NX1P2 CPU Units, a maximum of 32 instructions can be executed.
- An error will occur in the following cases. *Error* will change to TRUE.
  - a) *Handle* (TLS session handle) is invalid.

## Sample Programming

Refer to *Sample Programming* on page 2-1220 for the SktTLSConnect instruction.

# SkTTLSStopLog

The SkTTLSStopLog instruction stops outputting the secure socket communications log.

Instruction	Name	FB/ FUN	Graphic expression	ST expression
SkTTLSStopLog	Stop Secure Socket Communications Log	FB		SkTTLSStopLog (Execute, Done, Busy, Error, ErrorID) ;



## Version Information

You can use this instruction for the following CPU Units.

- An NX502 CPU Unit
- An NX102-□□00 CPU Unit with unit version 1.46 or later or an NX102-□□20 CPU Unit with unit version 1.37 or later and Sysmac Studio version 1.46 or higher
- An NX1P2 CPU Unit with unit version 1.46 or later and Sysmac Studio version 1.46 or higher

## Function

The SkTTLSStopLog instruction requests to stop outputting the secure socket communications log so that you can shut down the CPU Unit.

## Additional Information

- Refer to the *NJ/NX-series CPU Unit Built-in EtherNet/IP Port User's Manual (Cat. No. W506)* for details on the secure socket service functions.
- In executing the Simulator, when *Execute* changes from FALSE to TRUE, *Done* changes to TRUE. Data will not be output to the communications line.

## Precautions for Correct Use

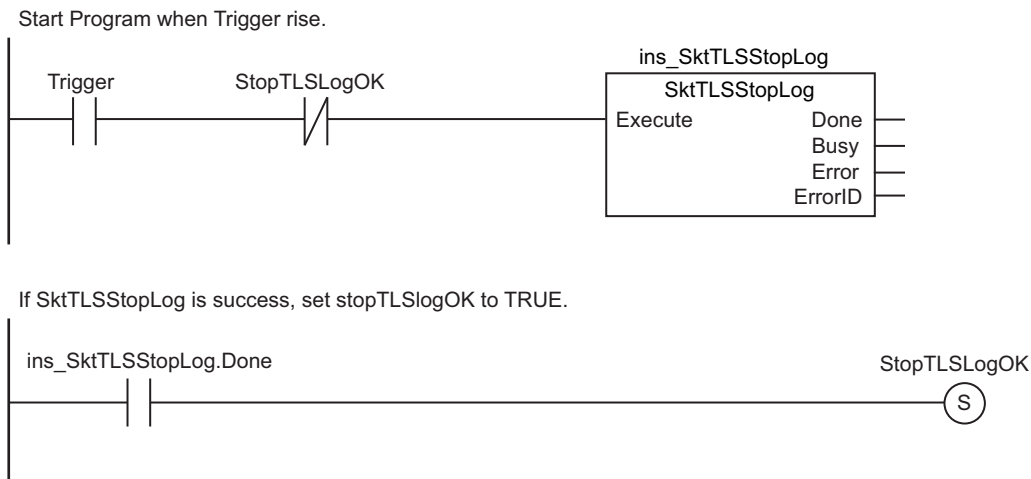
- Execution of this instruction is continued until processing is completed even if the value of *Execute* changes to FALSE or the execution time exceeds the task period. The value of *Done* changes to TRUE when processing is completed. Use this to confirm normal completion of processing.
- Refer to *Using this Section* on page 2-3 for a timing chart for *Execute*, *Done*, *Busy*, and *Error*.
- You can use this instruction for a built-in EtherNet/IP port.  
Or you can use this instruction through a port on an NX-series EtherNet/IP Unit by setting **IP Forward** to **Use** in the NX502 CPU Unit.
- You cannot use this instruction in an event task. A compiling error will occur.
- Except for NX502 CPU Units and NX102 CPU Units, you can execute a maximum of 64 of the following instructions at the same time: SktUDPCreate, SktUDPRcv, SktUDPSend, SktTCPAccept, SktTCPConnect, SktTCPRcv, SktTCPSend, SktGetTCPStatus, SktClose, SktClearBuf, SktSetOption, SktTLSConnect, SktTLSRead, ModbusTCPCmd, ModbusTCPRead, and ModbusTCPWrite. For NX1P2 CPU Units, a maximum of 32 instructions can be executed.

## Sample Programming

When the trigger changes to TRUE, the SktTLSStopLog instruction stops outputting the secure socket communications log.

### LD

Internal Variables	Variable	Data type	Initial value	Comment
	Trigger	BOOL	FALSE	The trigger which starts stop processing for the secure socket communications log
	StopTLSLogOK	BOOL	FALSE	The variable which shows that the log stop is completed
	ins_SktTLSStopLog	SktTLSStopLog		



### ST

Internal Variables	Variable	Data type	Initial value	Comment
	Trigger	BOOL	FALSE	The trigger which starts stop processing for the secure socket communications log
	DoStop	BOOL	FALSE	When this variable is TRUE, the SktTLSLogStop instruction is executed.
	StopTLSLogOK	BOOL	FALSE	The variable which shows that the log stop is completed
	ins_SktTLSStopLog	SktTLSStopLog		

```
//Start Program when Trigger rise.
```



```
IF ( (Trigger=TRUE) AND (StopTLSLogOK=FALSE) ) THEN
  DoStop := TRUE;
  ins_SktTLSStopLog( Execute:=FALSE );
END_IF;

IF (DoStop=TRUE) THEN
  //Execute sktTLSStopLog for stopping TLS log.
  ins_SktTLSStopLog( Execute:=TRUE );
  Trigger := FALSE;
  IF (ins_SktTLSStopLog.Done=TRUE) THEN
    //Success
    StopTLSLogOK := TRUE;
    DoStop := FALSE;
  END_IF;
  IF (ins_SktTLSStopLog.Error=TRUE) THEN
    //Error abort
    DoStop := FALSE;
  END_IF;
END_IF;
```

# ModbusTCPCmd

The ModbusTCPCmd instruction sends general commands using Modbus-TCP protocol.

Instruction	Name	FB/ FUN	Graphic expression	ST expression
ModbusTCPCmd	Send Modbus TCP General Command	FB		ModbusTCPCmd_instance(Execute, Socket, UnitIdentifier, CmdDat, CmdSize, RespDat, Timeout, Done, Busy, Error, ErrorID, ErrorIDEx, RespSize);



### Version Information

You can use this instruction for the NX502 CPU Unit and NX102 CPU Unit.

## Variables

	Meaning	I/O	Description	Valid range	Unit	Default
Socket	Socket	Input	Socket	---	---	---
UnitIdentifier	Unit ID		Unit ID*1	Depends on data type.	---	255
CmdDat	Command data		Command data	Depends on data type.	---	---
CmdSize	Command data size		Command data size	1 to 253	Bytes	1
Timeout	Timeout time		Specify the timeout time in 0.1 seconds. If 0 is specified, it will be treated as 2 seconds.	Depends on data type.	0.1 seconds	20
RespDat	Response data	In-out	Response data	Depends on data type.	---	---
RespSize	Response size	Output	Response data size	1 to 253	---	---

\*1. When you send commands to Modbus-TCP slaves, the default value is used for operation.

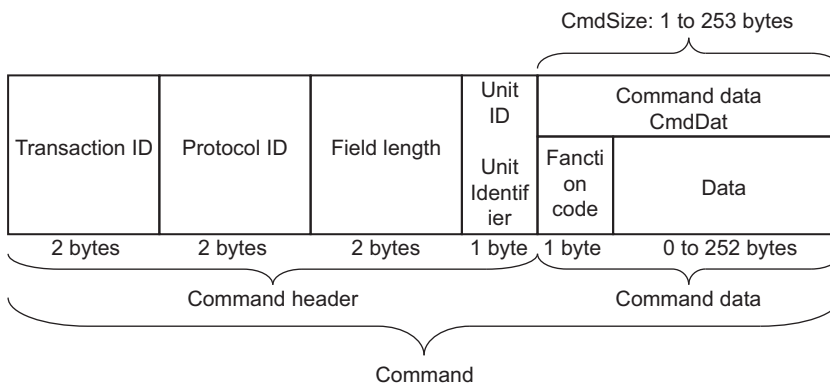
	Boo lean	Bit strings				Integers							Real num bers		Times, durations, dates, and text strings					
	BOOL	BYTE	WORD	DWORD	LWORD	USINT	UINT	UDINT	ULINT	SINT	INT	DINT	LINT	REAL	LREAL	TIME	DATE	TOD	DT	STRING
Socket		Refer to <i>Data Type of Socket</i> on page 2-1242 for details on the structure <code>_sSOCKET</code> .																		
UnitIdentifier						OK														
CmdDat[] (array)		OK																		
CmdSize							OK													

	Boo lean	Bit strings					Integers							Real num bers		Times, durations, dates, and text strings				
	BOOL	BYTE	WORD	DWORD	LWORD	USINT	UINT	UDINT	ULINT	SINT	INT	DINT	LINT	REAL	LREAL	TIME	DATE	TOD	DT	STRING
TimeOut							OK													
RespDat[] (array)		OK																		
RespSize							OK													

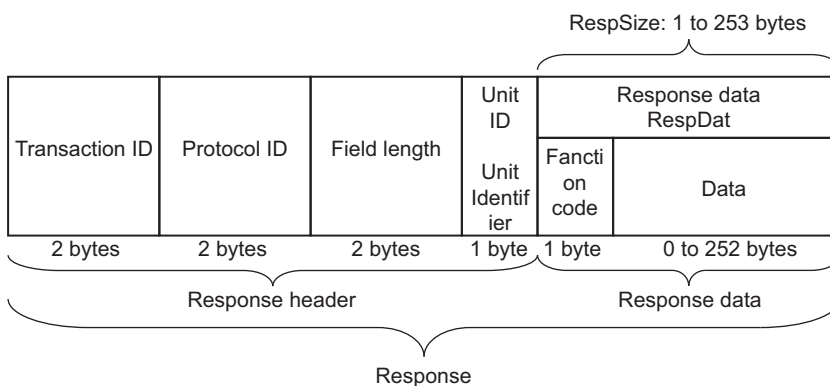
### Function

The ModbusTCPCmd instruction uses the Modbus TCP protocol to send general commands to the destination socket which is established in advance by executing the SktTCPConnect instruction. This instruction ends normally when a normal response to the command is received.

This instruction stores the contents of the CmdDat[] input variable as long as the length of the CmdSize input variable in the command data.



After the instruction sends general commands, it stores the response data received from the destination in the RespDat[] in-out variable.



The instruction outputs, in bytes, the size of the response data contained in the received response to RespSize.

In case of an error response, the values of RespDat[] and RespSize are not changed.

TimeOut input variable specifies the timeout time in 100 milliseconds. If a response does not return within the timeout time, it is determined as a timeout error.

## Data Type of Socket

The data type of *Socket* is structure `_sSOCKET`. The specifications are as follows:

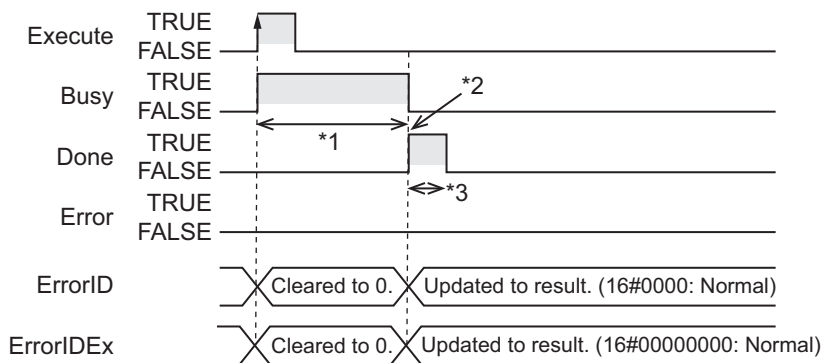
Name	Meaning	Description	Data type	Valid range	Unit	Default
Socket	Socket	Socket	<code>_sSOCKET</code>	---	---	---
Handle	Handle	Handle of the socket to send and receive data	UDINT	Depends on data type.	---	0
SrcAdr* <sup>1</sup>	Local address	Local IP address and port number	<code>_sSOCKET_ADDRESS</code>	---	---	---
PortNo* <sup>1</sup>	Port number	Port number	UINT	1 to 65,535		0
IpAdr* <sup>1</sup>	IP address	IP address or host name. A DNS or Hosts setting is required to use a host name.	STRING	Depends on data type.	---	''
DstAdr* <sup>1</sup>	Destination address	Destination IP address and port number	<code>_sSOCKET_ADDRESS</code>	---	---	---
PortNo* <sup>1</sup>	Port number	Port number	UINT	1 to 65,535		0
IpAdr* <sup>1</sup>	IP address	IP address or host name. A DNS or Hosts setting is required to use a host name.	STRING	Depends on data type.	---	''

\*1. These members are not used for this instruction.

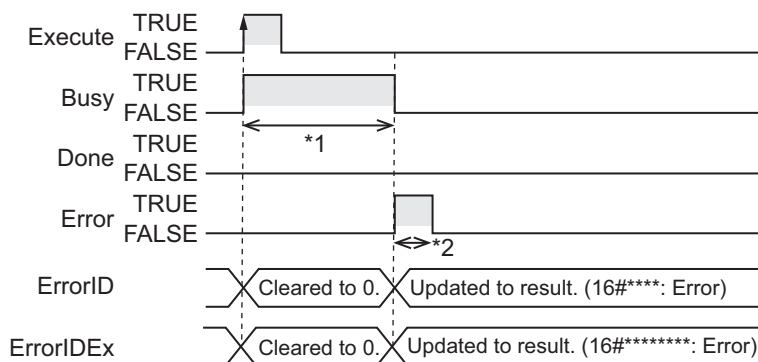
## Timing Charts

The following figures show the timing charts.

### ● Normal end



## ● Error end



\*1. Processing with Modbus slave

\*2. Task period

## Related System-defined Variables

Name	Meaning	Data type	Description
<code>_EIP_EtnOnlineSta</code> <sup>*1</sup>	Online	BOOL	This variable indicates when built-in EtherNet/IP port communications can be used. TRUE: Communications are possible. FALSE: Communications are not possible.
<code>_EIP1_EtnOnlineSta</code> <sup>*2</sup>			
<code>_EIP2_EtnOnlineSta</code> <sup>*3</sup>			

\*1. Use this variable name for an NJ-series CPU Unit.

\*2. Use this variable name for port 1 on an NX-series CPU Unit.  
You can specify `_EIP_EtnOnlineSta` instead of `_EIP1_EtnOnlineSta`.

\*3. Use this variable name for port 2 on an NX-series CPU Unit.

## Additional Information

- Refer to the *NJ/NX-series CPU Unit Built-in EtherNet/IP Port User's Manual (Cat. No. W506)* for details on the socket service functions.
- If you execute this instruction on the Simulator, when *Execute* changes from FALSE to TRUE, *Done* immediately changes to TRUE. Data will not be output to the communications line. The value of *RespDat[]* does not change, while the value of *RespSize* changes to 0.

## Precautions for Correct Use

- Execution of this instruction is continued until processing is completed even if the value of *Execute* changes to FALSE or the execution time exceeds the task period. The value of *Done* changes to TRUE when processing is normally completed. Use this to confirm normal completion of processing.
- Refer to *Using this Section* on page 2-3 for timing charts for *Execute*, *Done*, *Busy*, and *Error*.
- A compiling error will occur if you use this instruction in an event task. Do not use this instruction in event tasks.
- You can use this instruction for a built-in EtherNet/IP port.  
Or you can use this instruction through a port on an NX-series EtherNet/IP Unit by setting **IP Forward to Use** in the NX502 CPU Unit.
- For the destination to which to send general commands using this instruction, you need to use the *SktTCPConnect* instruction to establish a connection in advance. Input *Socket* that you get there to

this instruction. At this time, specify the port number on the Modbus TCP slave side (the port number is set to 502 by default).

- This instruction does not clear the receive buffer for a TCP socket. If you need to clear the buffer, execute the `SktClearBuf` instruction.
- When you want to set the socket option, execute the `SktSetOption` instruction.
- You can execute a maximum of 64 of the following instructions at the same time: `SktUDPCreate`, `SktUDPRcv`, `SktUDPSend`, `SktTCPAccept`, `SktTCPConnect`, `SktTCPRcv`, `SktTCPSend`, `SktGetTCPStatus`, `SktClose`, `SktClearBuf`, `SktSetOption`, `ModbusTCPCmd`, `ModbusTCPRead`, and `ModbusTCPWrite`.
- When multiple `ModbusTCPCmd` instructions, `ModbusTCPRead` instructions, or `ModbusTCPWrite` instructions share one connection (one socket), simultaneous execution is not possible. The `ModbusTCPCmd` instruction, `ModbusTCPRead` instruction, and `ModbusTCPWrite` instruction identify the response to their respective command and discard other responses. Therefore, exclusive control is required so that the next instruction is executed after transmission and reception are completed with one instruction.
- *Error* is TRUE if an error occurred. The meanings of the values of *ErrorID* and *ErrorIDEx* are given in the following table.

Value of <i>ErrorID</i>	Value of <i>ErrorIDEx</i>	Error
16#0400	16#00000000	The value of <i>CmdSize</i> is outside of the valid range.
16#0406	16#00000000	<i>CmdSize</i> exceeded the area of <i>CmdDat[]</i> .
16#0407	16#00000000	The number of received bytes exceeded the received data area.
16#0C10	16#000000XX	A Exception Response was received by Modbus. XX of 000000xx in <i>ErrorIDEx</i> indicates the Exception Code. Refer to the Modbus Protocol for details on Exception Code.
16#0C11	16#00000000	The Modbus Response data is incorrect. <ul style="list-style-type: none"> <li>• <i>FuctionCode</i> is incorrect.</li> <li>• Receive size is incorrect.</li> </ul>
16#2003	16#00000000	<ul style="list-style-type: none"> <li>• The socket is being processed.</li> <li>• The socket is closed.</li> </ul>
16#2006	16#00000000	No response was received from the destination node within the timeout time.
16#2007	16#00000000	The handle value is out of range.
16#2008	16#00000000	<ul style="list-style-type: none"> <li>• More than 64 of the following instructions were executed at the same time: <code>SktUDPCreate</code>, <code>SktUDPRcv</code>, <code>SktUDPSend</code>, <code>SktTCPAccept</code>, <code>SktTCPConnect</code>, <code>SktTCPRcv</code>, <code>SktTCPSend</code>, <code>SktGetTCPStatus</code>, <code>SktClose</code>, <code>SktClearBuf</code>, <code>SktSetOption</code>, <code>ModbusTCPCmd</code>, <code>ModbusTCPRead</code>, and <code>ModbusTCPWrite</code>.</li> <li>• More than 60 sockets were generated.</li> </ul>

## Sample Programming

The following is a sample program with an NX502 or an NX102 CPU Unit whose IP address is 192.168.250.1.

It clears the buffer and then sends a Modbus command to the destination Modbus TCP slave (192.168.250.10, port 502) when *Trigger* changes to TRUE.

It reads a holding register from the read start address 32 (BYTE#16#0020) in the destination. The general command is used to read the variables.

The TCP-NODELAY option is specified in this sample programming because it is recommended in the Modbus Messaging on TCP/IP implementation guide V1.0b.

## ST

Internal Variables	Variable	Data type	Initial value	Comment
	Trigger	BOOL		Execution condition
	DoModbusTrigger	BOOL		Processing
	Nodelay	BOOL		NoDelay setting
	Stage	INT		State transition
	Socket	_sSOCKET		Socket
	ModbusCmdDat	ARRAY[0..4] OF BYTE		Command data
	ModbusDatSize	UINT		Command data size
	ModbusRespDat	ARRAY[0..253] OF BYTE		Response data
	ModbusRespSize	UINT		Response data size
	SktTCPConnect_instance	SktTCPConnect		
	SktSetOption_instance	SktTSetOption		
	SktClearBuf_instance	SktClearBuf		
	ModbusTCPCmd_instance	ModbusTCPCmd		
	SktClose_instance	SktClose		

External Variables	Variable	Data type	Constant	Comment
	_EIP1_EtnOnlineSta	BOOL	<input checked="" type="checkbox"/>	Online

```
// Start sequence when Trigger changes to TRUE.
IF (Trigger=TRUE) AND (DoModbusTrigger=FALSE) AND (_EIP1_EtnOnlineSta=TRUE) THEN
  DoModbusTrigger:=TRUE;
  Nodelay:=TRUE;

  SktTCPConnect_instance(Execute:= FALSE);
  SktSetOption_instance(
    Execute:=FALSE,
    Socket:=Socket,
    OptionType:=_eSKT_OPTION_TYPE#_TCP_NODELAY,
    OptionParam:=Nodelay);

  SktClearBuf_instance(
    Execute:=FALSE,
    Socket:=Socket);
  ModbusTCPCmd_instance(
    Execute:=FALSE,
    Socket:=Socket,
    CmdDat:=ModbusCmdDat[0],
```

```
    CmdSize:=ModbusDatSize,
    RespDat:=ModbusRespDat[0]);

    SktClose_instance(
        Execute:=FALSE,
        Socket:=Socket);

    Stage:=1; // Initialization completed.
END_IF;

IF (DoModbusTrigger=TRUE) THEN
    CASE Stage OF
    1: // Socket connection request
        SktTCPConnect_instance(
            Execute:=TRUE,
            SrcTcpPort:=UINT#502,
            DstAdr:='192.168.250.10',
            DstTcpPort:=UINT#502,
            Socket=>Socket);
        IF (SktTCPConnect_instance.Done=TRUE) THEN
            Stage:=2; // Socket connection is normal end.
        ELSIF (SktTCPConnect_instance.Error=TRUE) THEN
            Stage:=99; // Socket connection is error end.
        END_IF;

    2: //TCP-NODELAY option request
        SktSetOption_instance(
            Execute:=TRUE,
            Socket:=Socket,
            OptionType:=_eSKT_OPTION_TYPE#_TCP_NODELAY,
            OptionParam:=Nodelay);
        IF (SktSetOption_instance.Done=TRUE) THEN
            Stage:=3; // Option setting is normal end.
        ELSIF (SktSetOption_instance.Error=TRUE) THEN
            Stage:=99; // Option setting is error end.
        END_IF;

    3: // Buffer clear request
        SktClearBuf_instance(
            Execute:=TRUE,
            Socket:=Socket);
        IF (SktClearBuf_instance.Done=TRUE) THEN
            Stage:=4; // Buffer clear is normal end.
        ELSIF (SktClearBuf_instance.Error=TRUE) THEN
            Stage:=99; // Buffer clear is error end.
        END_IF;
```



```

4: // Modbus Cmd send request
ModbusCmdDat[0]:=BYTE#16#03; // Function code (read variable)
ModbusCmdDat[1]:=BYTE#16#00; // Read start address (H)
ModbusCmdDat[2]:=BYTE#16#20; // Read start address (L)
ModbusCmdDat[3]:=BYTE#16#00; // Number of data (H)
ModbusCmdDat[4]:=BYTE#16#01; // Number of data (L)
ModbusDatSize:=5;
ModbusTCPCmd_instance(
    Execute:=TRUE,
    Socket:=Socket,
    CmdDat:=ModbusCmdDat[0],
    CmdSize:=ModbusDatSize,
    RespDat:=ModbusRespDat[0],
    RespSize=>ModbusRespSize);
IF (ModbusTCPCmd_instance.Done=TRUE) THEN
    Stage:=5; // ModbusTCPWrite instruction is normal end.
ELSIF (ModbusTCPCmd_instance.Error=TRUE) THEN
    Stage:=99; // ModbusTCPWrite instruction is error end.
END_IF;

5: // Socket close request
SktClose_instance(
    Execute:=TRUE,
    Socket:=Socket);
IF (SktClose_instance.Done=TRUE) THEN
    Stage:=6; // Socket close is normal end.
ELSIF (SktClose_instance.Error=TRUE) THEN
    Stage:=99; // Socket close is error end.
END_IF;

6: // Processing after the ModbusTCPRead instruction is normal end.
Trigger:=FALSE;
DoModbusTrigger:=FALSE;

99: // Error Processing
Trigger:=FALSE;
DoModbusTrigger:=FALSE;
END_CASE;
END_IF;

```

# ModbusTCPRead

The ModbusTCPRead instruction reads data that is requested by sending read commands using Modbus-TCP protocol.

Instruction	Name	FB/ FUN	Graphic expression	ST expression
ModbusTCP- Read	Send Modbus TCP Read Command	FB		ModbusTCPRead_instance(Execute, Socket, UnitIdentifier, ReadCmd, ReadDat, TimeOut, Done, Busy, Error, ErrorID, ErrorIDEx, ReadSize);



## Version Information

You can use this instruction for the NX502 CPU Unit and NX102 CPU Unit.

## Variables

	Meaning	I/O	Description	Valid range	Unit	Default
Socket	Socket	Input	Socket	---	---	---
UnitIdentifier	Unit ID		Unit ID* <sup>1</sup>	Depends on data type.	---	255
ReadCmd	Read command		Command data	Depends on data type.	---	---
TimeOut	Timeout time		Specify the timeout time in 0.1 seconds. If 0 is specified, it will be treated as 2 seconds.	Depends on data type.	0.1 seconds	20
ReadDat	Read data	In-out	Read data	Depends on data type.	---	---
ReadSize	Read size	Output	Amount of read data	1 to 2000* <sup>2</sup> 1 to 125* <sup>3</sup>	Bits* <sup>2</sup> Words* <sup>3</sup>	---

\*1. When you send commands to Modbus-TCP slaves, the default value is used for operation.

\*2. Use this valid range when the data to read is output or input status (BOOL).

\*3. Use this valid range when the data to read is input register or holding register (WORD).

	Boo lean	Bit strings					Integers							Real num- bers	Times, durations, dates, and text strings					
	BOOL	BYTE	WORD	DWORD	LWORD	USINT	UINT	UDINT	ULINT	SINT	INT	DINT	LINT	REAL	LREAL	TIME	DATE	TOD	DT	STRING
Socket																				
UnitIdentifier						OK														

	Boo lean	Bit strings				Integers							Real num- bers		Times, durations, dates, and text strings					
	BOOL	BYTE	WORD	DWORD	LWORD	USINT	UINT	UDINT	ULINT	SINT	INT	DINT	LINT	REAL	LREAL	TIME	DATE	TOD	DT	STRING
ReadCmd	Refer to <i>Data Type of ReadCmd</i> on page 2-1250 for details on the structure <code>_sMODBUS_READ</code> .																			
TimeOut							OK													
ReadDat[] (array)	OK		OK																	
ReadSize							OK													

## Function

The ModbusTCPRead instruction uses the Modbus TCP protocol to send read commands to the destination socket which is established in advance by executing the SktTCPConnect instruction. This instruction stores the read data and the amount of read data in *ReadDat* and *ReadSize* respectively, and ends normally when a normal response to the command (i.e., requested data) is received.

In case of an error response, the values of *ReadDat* and *ReadSize* do not change.

*TimeOut* input variable specifies the timeout time in 100 milliseconds. If a response does not return within the timeout time, it is determined as a timeout error.

The valid range that you can specify with *ReadSize* varies depending on the function code. Each value is determined by the size of data that is read and the maximum command length.

The specifications are as follows:

Function code	ReadSize
<code>_MDB_READ_COILS</code>	1 to 2,000 (bit)
<code>_MDB_READ_DISCRETE_INPUTS</code>	1 to 2,000 (bit)
<code>_MDB_READ_HOLDING_REGISTERS</code>	1 to 125 (word)
<code>_MDB_READ_INPUT_REGISTERS</code>	1 to 125 (word)

Use the *ReadDat* in-out variable to specify the variable to store the read data.

The data type that you can use for *ReadDat* differs depending on the function code.

The specifications are as follows:

Function code	Data type
<code>_MDB_READ_COILS</code>	BOOL BOOL[]
<code>_MDB_READ_DISCRETE_INPUTS</code>	BOOL BOOL[]
<code>_MDB_READ_HOLDING_REGISTERS</code>	WORD WORD[]
<code>_MDB_READ_INPUT_REGISTERS</code>	WORD WORD[]

## Data Type of Socket

Refer to the *Data Type of Socket* on page 2-1242 for the ModbusTCPCmd instruction.

## Data Type of *ReadCmd*

The data type of *ReadCmd* is structure `_sMODBUS_READ`.

The specifications are as follows:

Name	Meaning	Description	Data type	Valid range	Unit	Default
ReadCmd	Read command	Command data	<code>_sMODBUS_READ</code>	Depends on data type.	---	---
Fun	Function code	Function code	<code>_eMDB_FUN</code>	<code>_MDB_READ_COILS</code> <code>_MDB_READ_DISCRETE_INPUTS</code> <code>_MDB_READ_HOLDING_REGISTERS</code> <code>_MDB_READ_INPUT_REGISTERS</code>	---	<code>_MDB_READ_COILS</code>
ReadAdr	Read address	Read start address	UINT	Depends on data type.	---	0
ReadSize	Read size	Read size	UINT	Depends on function code.	---*1	1

\*1. The unit is the same as the unit of read data specified with *ReadCmd.Fun*.

### ● Data Type of *FUN*

The data type of *Fun* is enumerated type `_eMDB_FUN`.

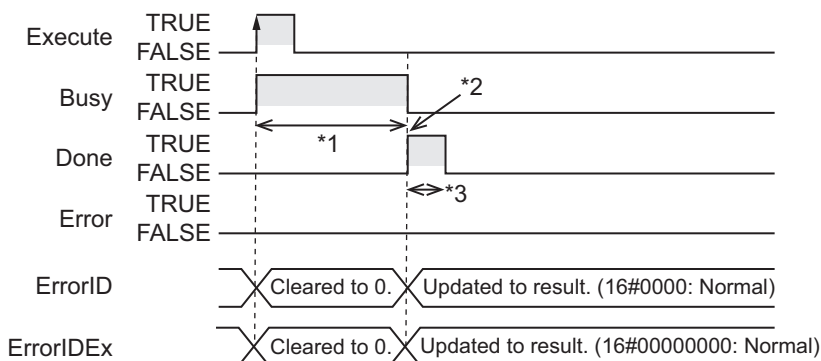
The meanings of the enumerators of enumerated type `_eMDB_FUN` are as follows:

Enumerator	Meaning
<code>_MDB_READ_COILS</code>	Read outputs (bit)
<code>_MDB_READ_DISCRETE_INPUTS</code>	Read inputs (bit)
<code>_MDB_READ_HOLDING_REGISTERS</code>	Read holding registers (word)
<code>_MDB_READ_INPUT_REGISTERS</code>	Read input registers (word)

## Timing Charts

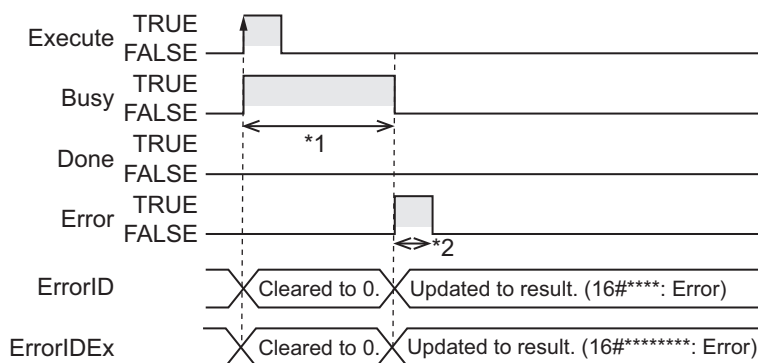
The following figures show the timing charts.

### ● Normal end



\*3. Task period

### ● Error end



\*1. Processing with Modbus slave

\*2. Task period

## Related System-defined Variables

Name	Meaning	Data type	Description
<code>_EIP_EtnOnlineSta</code> <sup>*1</sup>	Online	BOOL	This variable indicates when built-in EtherNet/IP port communications can be used. TRUE: Communications are possible. FALSE: Communications are not possible.
<code>_EIP1_EtnOnlineSta</code> <sup>*2</sup>			
<code>_EIP2_EtnOnlineSta</code> <sup>*3</sup>			

\*1. Use this variable name for an NJ-series CPU Unit.

\*2. Use this variable name for port 1 on an NX-series CPU Unit.  
You can specify `_EIP_EtnOnlineSta` instead of `_EIP1_EtnOnlineSta`.

\*3. Use this variable name for port 2 on an NX-series CPU Unit.

## Additional Information

- Refer to the *NJ/NX-series CPU Unit Built-in EtherNet/IP Port User's Manual (Cat. No. W506)* for details on the socket service functions.
- If you execute this instruction on the Simulator, when *Execute* changes from FALSE to TRUE, *Done* immediately changes to TRUE. Data will not be output to the communications line. The value of `ReadDat[]` does not change, while the value of *ReadSize* changes to 0.

## Precautions for Correct Use

- Execution of this instruction is continued until processing is completed even if the value of *Execute* changes to FALSE or the execution time exceeds the task period. The value of *Done* changes to TRUE when processing is normally completed. Use this to confirm normal completion of processing.
- Refer to *Using this Section* on page 2-3 for timing charts for *Execute*, *Done*, *Busy*, and *Error*.
- A compiling error will occur if you use this instruction in an event task. Do not use this instruction in event tasks.
- You can use this instruction for a built-in EtherNet/IP port.  
Or you can use this instruction through a port on an NX-series EtherNet/IP Unit by setting **IP Forward to Use** in the NX502 CPU Unit.

- For the destination to which to send general commands using this instruction, you need to use the SktTCPConnect instruction to establish a connection in advance. Input *Socket* that you get there to this instruction. At this time, specify the port number on the Modbus TCP slave side (the port number is set to 502 by default).
- This instruction does not clear the receive buffer for a TCP socket. If you need to clear the buffer, execute the SktClearBuf instruction.
- When you want to set the socket option, execute the SktSetOption instruction.
- You can execute a maximum of 64 of the following instructions at the same time: SktUDPCreate, SktUDPRcv, SktUDPSend, SktTCPAccept, SktTCPConnect, SktTCPRcv, SktTCPSend, SktGetTCPStatus, SktClose, SktClearBuf, SktSetOption, ModbusTCPcmd, ModbusTCPRead, and ModbusTCPWrite.
- When multiple ModbusTCPcmd instructions, ModbusTCPRead instructions, or ModbusTCPWrite instructions share one connection (one socket), simultaneous execution is not possible. The ModbusTCPcmd instruction, ModbusTCPRead instruction, and ModbusTCPWrite instruction identify the response to their respective command and discard other responses. Therefore, exclusive control is required so that the next instruction is executed after transmission and reception are completed with one instruction.
- *Error* is TRUE if an error occurred. The meanings of the values of *ErrorID* and *ErrorIDEx* are given in the following table.

Value of <i>ErrorID</i>	Value of <i>ErrorIDEx</i>	Error
16#0400	16#00000000	The value of <i>ReadCmd.Fun</i> is outside of the valid range. The value of <i>ReadCmd.ReadSize</i> is outside of the valid range.
16#0406	16#00000000	<i>ReadCmd.ReadSize</i> exceeded the area of ReadDat[].
16#0407	16#00000000	The number of received bytes exceeded the received data area.
16#0419	16#00000000	The data type that is specified with ReadDat[] does not match that of <i>ReadCmd.Fun</i> .
16#0C10	16#000000XX	A Exception Response was received by Modbus. XX of 000000xx in ErrorIDEx indicates the Exception Code. Refer to the Modbus Protocol for details on Exception Code.
16#0C11	16#00000000	The Modbus Response data is incorrect. <ul style="list-style-type: none"> <li>• FuctionCode is incorrect.</li> <li>• Receive size is incorrect.</li> </ul>
16#2003	16#00000000	<ul style="list-style-type: none"> <li>• The socket is being processed.</li> <li>• The socket is closed.</li> </ul>
16#2006	16#00000000	No response was received from the destination node within the timeout time.
16#2007	16#00000000	The handle value is out of range.
16#2008	16#00000000	<ul style="list-style-type: none"> <li>• More than 64 of the following instructions were executed at the same time: SktUDPCreate, SktUDPRcv, SktUDPSend, SktTCPAccept, SktTCPConnect, SktTCPRcv, SktTCPSend, SktGetTCPStatus, SktClose, SktClearBuf, SktSetOption, ModbusTCPcmd, ModbusTCPRead, and ModbusTCPWrite.</li> <li>• More than 60 sockets were generated.</li> </ul>

### Sample Programming

The following is a sample program with an NX502 or an NX102 CPU Unit whose IP address is 192.168.250.1.

It clears the buffer and then sends a Modbus command to the destination Modbus TCP slave (192.168.250.10, port 502) when *Trigger* changes to TRUE.

It reads the status of an output from the read start address 19 in the destination. The read command is used to read the variables.

The TCP-NODELAY option is specified in this sample programming because it is recommended in the Modbus Messaging on TCP/IP implementation guide V1.0b.

## ST

Internal Variables	Variable	Data type	Default	Comment
	Trigger	BOOL		Execution condition
	DoModbusTrigger	BOOL		Processing
	Nodelay	BOOL		NoDelay setting
	Stage	INT		State transition
	Socket	_sSOCKET		Socket
	ModbusReadCmd	_sMODBUS_READ		Read command
	ModbusRespDat	BOOL		Read data
	ModbusReadSize	UINT		Read data size
	SkdTCPConnect_instance	SkdTCPConnect		
	SkdSetOption_instance	SkdTSetOption		
	SkdClearBuf_instance	SkdClearBuf		
	ModbusTCPRead_instance	ModbusTCPRead		
	SkdClose_instance	SkdClose		

External Variables	Variable	Data type	Constant	Comment
	_EIP1_EtnOnlineSta	BOOL	☑	Online

```
// Start sequence when Trigger changes to TRUE.
IF (Trigger=TRUE) AND (DoModbusTrigger=FALSE) AND (_EIP1_EtnOnlineSta=TRUE) THEN
  DoModbusTrigger:=TRUE;
  Nodelay:=TRUE;

  SkdTCPConnect_instance(Execute:= FALSE);
  SkdSetOption_instance(
    Execute:=FALSE,
    Socket:=Socket,
    OptionType:=_eSKT_OPTION_TYPE#_TCP_NODELAY,
    OptionParam:=Nodelay);

  SkdClearBuf_instance(
    Execute:=FALSE,
    Socket:=Socket);
  ModbusTCPRead_instance(
```

```
Execute:=FALSE,
Socket:=Socket,
ReadCmd:=ModbusReadCmd,
ReadDat:=ModbusReadDat);

SkClose_instance(
Execute:=FALSE,
Socket:=Socket);

Stage:=1; // Initialization completed.
END_IF;

IF (DoModbusTrigger=TRUE) THEN
CASE Stage OF
1: // Socket connection request
SkTCPConnect_instance(
Execute:=TRUE,
SrcTcPPort:=UINT#502,
DstAdr:='192.168.250.10',
DstTcpPort:=UINT#502,
Socket=>Socket);
IF (SkTCPConnect_instance.Done=TRUE) THEN
Stage:=2; // Socket connection is normal end.
ELSIF (SkTCPConnect_instance.Error=TRUE) THEN
Stage:=99; // Socket connection is error end.
END_IF;

2: //TCP-NODELAY option request
SkSetOption_instance(
Execute:=TRUE,
Socket:=Socket,
OptionType:=_eSKT_OPTION_TYPE#_TCP_NODELAY,
OptionParam:=Nodelay);

IF (SkSetOption_instance.Done=TRUE) THEN
Stage:=3; // Option setting is normal end.
ELSIF (SkSetOption_instance.Error=TRUE) THEN
Stage:=99; // Option setting is error end.
END_IF;

3: // Buffer clear request
SkClearBuf_instance(
Execute:=TRUE,
Socket:=Socket);

IF (SkClearBuf_instance.Done=TRUE) THEN
Stage:=4; // Buffer clear is normal end.
```



```

    ELSIF (SktClearBuf_instance.Error=TRUE) THEN
        Stage:=99; // Buffer clear is error end.
    END_IF;

4: // Modbus Read request
    ModbusReadCmd.Fun:=_MDB_READ_COILS; // Function code
    ModbusReadCmd.ReadAdr:=19; // Read address
    ModbusReadCmd.ReadSize:=1; // Read size

    ModbusTCPRead_instance(
        Execute:=TRUE,
        Socket:=Socket,
        ReadCmd:=ModbusReadCmd,
        ReadDat:=ModbusReadDat,
        ReadSize=>ModbusReadSize);

    IF (ModbusTCPRead_instance.Done=TRUE) THEN
        Stage:=5; // ModbusTCPWrite instruction is normal end.
    ELSIF (ModbusTCPRead_instance.Error=TRUE) THEN
        Stage:=99; // ModbusTCPWrite instruction is error end.
    END_IF;

5: // Socket close request
    SktClose_instance(
        Execute:=TRUE,
        Socket:=Socket);

    IF (SktClose_instance.Done=TRUE) THEN
        Stage:=6; // Socket close is normal end.
    ELSIF (SktClose_instance.Error=TRUE) THEN
        Stage:=99; // Socket close is error end.
    END_IF;

6: // Processing after the ModbusTCPRead instruction is normal end.
    Trigger:=FALSE;
    DoModbusTrigger:=FALSE;

99: // Error Processing
    Trigger:=FALSE;
    DoModbusTrigger:=FALSE;

END_CASE;
END_IF;

```

# ModbusTCPWrite

The ModbusTCPWrite instruction sends write commands using Modbus-TCP protocol.

Instruction	Name	FB/ FUN	Graphic expression	ST expression
ModbusTCP-Write	Send Modbus TCP Write Command	FB		ModbusTCPWrite_instance(Execute, Socket, UnitIdentifier, WriteCmd, WriteDat, TimeOut, Done, Busy, Error, ErrorID, ErrorIDEx);



### Version Information

You can use this instruction for the NX502 CPU Unit and NX102 CPU Unit.

## Variables

	Meaning	I/O	Description	Valid range	Unit	Default
Socket	Socket	Input	Socket	---	---	---
UnitIdentifier	Unit ID		Unit ID*1	Depends on data type.	---	255
WriteCmd	Write command		Command data	Depends on data type.	---	---
WriteDat	Write data		Write data	Depends on data type.	---	---
TimeOut	Timeout time		Specify the timeout time in 0.1 seconds. If 0 is specified, it will be treated as 2 seconds.	Depends on data type.	0.1 seconds	20

\*1. When you send commands to Modbus-TCP slaves, the default value is used for operation.

	Boo lean	Bit strings				Integers								Real num bers		Times, durations, dates, and text strings				
	BOOL	BYTE	WORD	DWORD	LWORD	USINT	UINT	UDINT	ULINT	SINT	INT	DINT	LINT	REAL	LREAL	TIME	DATE	TOD	DT	STRING
Socket		Refer to <i>Data Type of Socket</i> on page 2-1242 for details on the structure <code>_sSOCKET</code> .																		
UnitIdentifier						OK														
WriteCmd		Refer to <i>Data Type of WriteCmd</i> on page 2-1257 for details on the structure <code>_sMODBUS_WRITE</code> .																		
WriteDat[] (array)	OK		OK																	
TimeOut							OK													

## Function

The ModbusTCPWrite instruction uses the Modbus TCP protocol to send write commands to the destination socket which is established in advance by executing the SktTCPConnect instruction. This instruction ends normally when a normal response to the command (i.e., requested data) is received.

*TimeOut* input variable specifies the timeout time in 100 milliseconds.

If a response does not return within the timeout time, it is determined as a timeout error.

The valid range that you can specify with *WriteSize* varies depending on the function code. Each value is determined by the size of data that is written and the maximum command length. The specifications are as follows:

Function code	WriteSize
_MDB_WRITE_SINGLE_COIL	1 (bit)
_MDB_WRITE_SINGLE_REGISTER	1 (word)
_MDB_WRITE_MULTIPLE_COILS	1 to 1,968 (bit)
_MDB_WRITE_MULTIPLE_REGISTERS	1 to 123 (word)

Use the *WriteDat* input variable to specify the data to write.

The data type that you can use for *WriteDat* differs depending on the function code.

The specifications are as follows:

Function code	Data type
_MDB_WRITE_SINGLE_COIL	BOOL BOOL[]
_MDB_WRITE_SINGLE_REGISTER	WORD WORD[]
_MDB_WRITE_MULTIPLE_COILS	BOOL BOOL[]
_MDB_WRITE_MULTIPLE_REGISTERS	WORD WORD[]

## Data Type of Socket

Refer to the *Data Type of Socket* on page 2-1242 for the ModbusTCPCmd instruction.

## Data Type of WriteCmd

The data type of *WriteCmd* is structure `_sMODBUS_WRITE`.

The specifications are as follows:

Name	Meaning	Description	Data type	Valid range	Unit	Default
WriteCmd	Write command	Command data	_sMODBUS_WRITE	Depends on data type.	---	---

Name	Meaning	Description	Data type	Valid range	Unit	Default
Fun	Function code	Function code	_eMDB_FUN	_MDB_WRITE_SINGLE_COIL _MDB_WRITE_SINGLE_REGISTER _MDB_WRITE_MULTIPLE_COILS _MDB_WRITE_MULTIPLE_REGISTERS	---	_MDB_WRITE_SINGLE_COIL
WriteAdr	Write address	Write start address	UINT	Depends on data type.	---	0
WriteSize	Write size	Write size	UINT	Depends on function code.	---*1	1

\*1. The unit is the same as the unit of read data specified with *WriteCmd.Fun*.

### ● Data Type of FUN

The data type of *Fun* is enumerated type `_eMDB_FUN`.

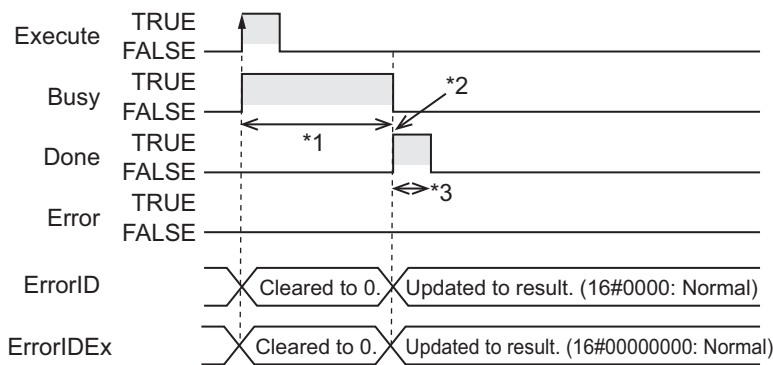
The meanings of the enumerators of enumerated type `_eMDB_FUN` are as follows:

Enumerator	Meaning
<code>_MDB_WRITE_SINGLE_COIL</code>	Write an output (bit)
<code>_MDB_WRITE_SINGLE_REGISTER</code>	Write a holding register (word)
<code>_MDB_WRITE_MULTIPLE_COILS</code>	Write multiple outputs (bit)
<code>_MDB_WRITE_MULTIPLE_REGISTERS</code>	Write multiple holding registers (word)

## Timing Charts

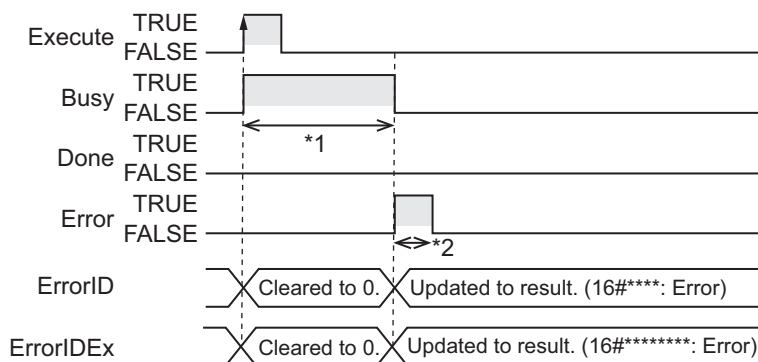
The following figures show the timing charts.

### ● Normal end



- \*1. Processing with Modbus slave
- \*2. A response to the command is received.
- \*3. Task period

## ● Error end



\*1. Processing with Modbus slave

\*2. Task period

## Related System-defined Variables

Name	Meaning	Data type	Description
<code>_EIP_EtnOnlineSta</code> <sup>*1</sup>	Online	BOOL	This variable indicates when built-in EtherNet/IP port communications can be used. TRUE: Communications are possible. FALSE: Communications are not possible.
<code>_EIP1_EtnOnlineSta</code> <sup>*2</sup>			
<code>_EIP2_EtnOnlineSta</code> <sup>*3</sup>			

\*1. Use this variable name for an NJ-series CPU Unit.

\*2. Use this variable name for port 1 on an NX-series CPU Unit.  
You can specify `_EIP_EtnOnlineSta` instead of `_EIP1_EtnOnlineSta`.

\*3. Use this variable name for port 2 on an NX-series CPU Unit.

## Additional Information

- Refer to the *NJ/NX-series CPU Unit Built-in EtherNet/IP Port User's Manual (Cat. No. W506)* for details on the socket service functions.
- If you execute this instruction on the Simulator, when *Execute* changes from FALSE to TRUE, *Done* immediately changes to TRUE. Data will not be output to the communications line.

## Precautions for Correct Use

- Execution of this instruction is continued until processing is completed even if the value of *Execute* changes to FALSE or the execution time exceeds the task period. The value of *Done* changes to TRUE when processing is normally completed. Use this to confirm normal completion of processing.
- Refer to *Using this Section* on page 2-3 for timing charts for *Execute*, *Done*, *Busy*, and *Error*.
- A compiling error will occur if you use this instruction in an event task. Do not use this instruction in event tasks.
- You can use this instruction for a built-in EtherNet/IP port.  
Or you can use this instruction through a port on an NX-series EtherNet/IP Unit by setting **IP Forward to Use** in the NX502 CPU Unit.
- For the destination to which to send general commands using this instruction, you need to use the *SktTCPConnect* instruction to establish a connection in advance. Input *Socket* that you get there to this instruction. At this time, specify the port number on the Modbus TCP slave side (the port number is set to 502 by default).

- This instruction does not clear the receive buffer for a TCP socket. If you need to clear the buffer, execute the `SkClearBuf` instruction.
- When you want to set the socket option, execute the `SkSetOption` instruction.
- You can execute a maximum of 64 of the following instructions at the same time: `SkUDPCreate`, `SkUDPRcv`, `SkUDPSend`, `SkTCPAccept`, `SkTCPConnect`, `SkTCPRcv`, `SkTCPSend`, `SkGetTCPStatus`, `SkClose`, `SkClearBuf`, `SkSetOption`, `ModbusTCPcmd`, `ModbusTCPRead`, and `ModbusTCPWrite`.
- When multiple `ModbusTCPcmd` instructions, `ModbusTCPRead` instructions, or `ModbusTCPWrite` instructions share one connection (one socket), simultaneous execution is not possible. The `ModbusTCPcmd` instruction, `ModbusTCPRead` instruction, and `ModbusTCPWrite` instruction identify the response to their respective command and discard other responses. Therefore, exclusive control is required so that the next instruction is executed after transmission and reception are completed with one instruction.
- *Error* is TRUE if an error occurred. The meanings of the values of *ErrorID* and *ErrorIDEx* are given in the following table.

Value of <i>ErrorID</i>	Value of <i>ErrorIDEx</i>	Error
16#0400	16#00000000	The value of <i>WriteCmd.Fun</i> is outside of the valid range. The value of <i>WriteCmd.WriteSize</i> is outside of the valid range.
16#0406	16#00000000	<i>WriteCmd.WriteSize</i> exceeded the area of <i>WriteDat[]</i> .
16#0419	16#00000000	The data type that is specified with <i>WriteDat[]</i> does not match that of <i>WriteCmd.Fun</i> .
16#0C10	16#000000XX	A Exception Response was received by Modbus. XX of 000000xx in <i>ErrorIDEx</i> indicates the Exception Code. Refer to the Modbus Protocol for details on Exception Code.
16#0C11	16#00000000	The Modbus Response data is incorrect. <ul style="list-style-type: none"> <li>• <i>FuctionCode</i> is incorrect.</li> <li>• Receive size is incorrect.</li> </ul>
16#2003	16#00000000	<ul style="list-style-type: none"> <li>• The socket is being processed.</li> <li>• The socket is closed.</li> </ul>
16#2006	16#00000000	No response was received from the destination node within the timeout time.
16#2007	16#00000000	The handle value is out of range.
16#2008	16#00000000	<ul style="list-style-type: none"> <li>• More than 64 of the following instructions were executed at the same time: <code>SkUDPCreate</code>, <code>SkUDPRcv</code>, <code>SkUDPSend</code>, <code>SkTCPAccept</code>, <code>SkTCPConnect</code>, <code>SkTCPRcv</code>, <code>SkTCPSend</code>, <code>SkGetTCPStatus</code>, <code>SkClose</code>, <code>SkClearBuf</code>, <code>SkSetOption</code>, <code>ModbusTCPcmd</code>, <code>ModbusTCPRead</code>, and <code>ModbusTCPWrite</code>.</li> <li>• More than 60 sockets were generated.</li> </ul>

## Sample Programming

The following is a sample program with an NX502 or an NX102 CPU Unit whose IP address is 192.168.250.1.

It clears the buffer and then sends a Modbus command to the destination Modbus TCP slave (192.168.250.10, port 502) when *Trigger* changes to TRUE.

An output from the write start address 149 in the destination slave is turned ON. The write command is used to write the variables.

The TCP-NODELAY option is specified in this sample programming because it is recommended in the Modbus Messaging on TCP/IP implementation guide V1.0b.

## ST

Internal Variables	Variable	Data type	Default	Comment
	Trigger	BOOL		Execution condition
	DoModbusTrigger	BOOL		Processing
	Nodelay	BOOL		NoDelay setting
	Stage	INT		State transition
	Socket	_sSOCKET		Socket
	ModbusWriteCmd	_sMODBUS_WRITE		Write command
	ModbusWriteDat	BOOL		Write data
	SkdTCPConnect_instance	SkdTCPConnect		
	SkdSetOption_instance	SkdTSetOption		
	SkdClearBuf_instance	SkdClearBuf		
	ModbusTCPWrite_instance	ModbusTCPWrite		
	SkdClose_instance	SkdClose		

External Variables	Variable	Data type	Constant	Comment
	_EIP1_EtnOnlineSta	BOOL	☑	Online

```
// Start sequence when Trigger changes to TRUE.
IF (Trigger=TRUE) AND (DoModbusTrigger=FALSE) AND (_EIP1_EtnOnlineSta=TRUE) THEN
  DoModbusTrigger:=TRUE;
  Nodelay:=TRUE;

  SkdTCPConnect_instance(Execute:= FALSE);
  SkdSetOption_instance(
    Execute:=FALSE,
    Socket:=Socket,
    OptionType:=_eSKT_OPTION_TYPE#_TCP_NODELAY,
    OptionParam:=Nodelay);

  SkdClearBuf_instance(
    Execute:=FALSE,
    Socket:=Socket);
  ModbusTCPWrite_instance(
    Execute:=FALSE,
    Socket:=Socket,
    WriteCmd:=ModbusWriteCmd,
    WriteDat:=ModbusWriteDat);

  SkdClose_instance(
    Execute:=FALSE,
    Socket:=Socket);
```

```

        Stage:=1; // Initialization completed.
    END_IF;

    IF (DoModbusTrigger=TRUE) THEN
        CASE Stage OF
            1: // Socket connection request
                SktTCPConnect_instance(
                    Execute:=TRUE,
                    SrcTcpPort:=UINT#502,
                    DstAdr:='192.168.250.10',
                    DstTcpPort:=UINT#502,
                    Socket=>Socket);
                IF (SktTCPConnect_instance.Done=TRUE) THEN
                    Stage:=2; // Socket connection is normal end.
                ELSIF (SktTCPConnect_instance.Error=TRUE) THEN
                    Stage:=99; // Socket connection is error end.
                END_IF;

            2: // TCP-NODELAY option request
                SktSetOption_instance(
                    Execute:=TRUE,
                    Socket:=Socket,
                    OptionType:=_eSKT_OPTION_TYPE#_TCP_NODELAY,
                    OptionParam:=Nodelay);
                IF (SktSetOption_instance.Done=TRUE) THEN
                    Stage:=3; // Option setting is normal end.
                ELSIF (SktSetOption_instance.Error=TRUE) THEN
                    Stage:=99; // Option setting is error end.
                END_IF;

            3: // Buffer clear request
                SktClearBuf_instance(
                    Execute:=TRUE,
                    Socket:=Socket);
                IF (SktClearBuf_instance.Done=TRUE) THEN
                    Stage:=4; // Buffer clear is normal end.
                ELSIF (SktClearBuf_instance.Error=TRUE) THEN
                    Stage:=99; // Buffer clear is error end.
                END_IF;

            4: // Modbus Write request
                ModbusWriteCmd.Fun:=_MDB_WRITE_SINGLE_COIL; // Function code
                ModbusWriteCmd.WriteAdr:=149; // Write address
                ModbusWriteCmd.WriteSize:=1; // Write size

                ModbusTCPWrite_instance(

```



```
        Execute:=TRUE,
        Socket:=Socket,
        WriteCmd:=ModbusWriteCmd,
        WriteDat:=ModbusWriteDat);

    IF (ModbusTCPWrite_instance.Done=TRUE) THEN
        Stage:=5; // ModbusTCPWrite instruction is normal end.
    ELSIF (ModbusTCPWrite_instance.Error=TRUE) THEN
        Stage:=99; // ModbusTCPWrite instruction is error end.
    END_IF;

5: // Socket close request
    SktClose_instance(
        Execute:=TRUE,
        Socket:=Socket);
    IF (SktClose_instance.Done=TRUE) THEN
        Stage:=6; // Socket close is normal end.
    ELSIF (SktClose_instance.Error=TRUE) THEN
        Stage:=99; // Socket close is error end.
    END_IF;

6: // Processing after the ModbusTCPWrite instruction is normal end.
    Trigger:=FALSE;
    DoModbusTrigger:=FALSE;

99: // Error Processing
    Trigger:=FALSE;
    DoModbusTrigger:=FALSE;
END_CASE;
END_IF;
```

# ChangeIPAdr

The ChangeIPAdr instruction changes the IP address of the built-in EtherNet/IP port on a CPU Unit or the IP address of an EtherNet/IP Unit.

Instruction	Name	FB/ FUN	Graphic expression	ST expression
ChangeIPAdr	Change IP Address	FB		ChangeIPAdr_instance(Execute, UnitNo, BootPCControl, IPAdr, SubnetMask, DefaultGateway, Done, Busy, Error, ErrorID);



## Version Information

A CPU Unit with unit version 1.02 or later and Sysmac Studio version 1.03 or higher are required to use this instruction.

## Variables

	Meaning	I/O	Description	Valid range	Unit	Default
UnitNo	Unit number	Input	Unit number for which to change the IP address	<code>_CBU_CPU</code> *1, <code>_CBU_CPU_Port1</code> *2, <code>_CBU_CPU_Port2</code> *3, <code>_CBU_No00</code> to <code>_CBU_No15</code> *4	---	<code>_CBU_No00</code>
BootPCControl	IP address assignment method and setting timing		Method to obtain the IP address and the setting timing	0 to 4 *5		0
IPAdr[] (array)*6	IP address		IP address	*7		---
SubnetMask[] (array)*6	Subnet mask		Subnet mask			
DefaultGateway[] (array)*6	Default gateway		Default gateway			

\*1. Specification is possible for an NJ-series CPU Unit.

\*2. Specification is possible for port 1 on an NX-series CPU Unit. You can specify `_CBU_CPU` instead of `_CBU_CPU_Port1`.

\*3. Specification is possible for port 2 on an NX-series CPU Unit. You cannot use it for CPU Units without Communications Port 2.

\*4. Specification is possible for an NJ-series CPU Unit.

\*5. The range is 0 to 2, 4 for port 1 on an NX502 CPU Unit. The range is 0 to 4 for port 2.

The range is 0 to 2 for port 1 on an NX-series CPU Unit except for an NX502 and for an NJ-series CPU Unit. The range is 0 to 3 for port 2 on an NX-series CPU Unit except for an NX502.

- \*6. This is a 4-element array with element numbers 0 to 3.
- \*7. The valid range depends on whether you specify the built-in EtherNet/IP port or an EtherNet/IP Unit for *UnitNo* (Unit number).

Refer to the *Function* on page 2-1265 for details.

	Boo lean	Bit strings				Integers								Real num- bers		Times, durations, dates, and text strings				
	BOOL	BYTE	WORD	DWORD	LWORD	USINT	UINT	UDINT	ULINT	SINT	INT	DINT	LINT	REAL	LREAL	TIME	DATE	TOD	DT	STRING
UnitNo	Refer to <i>Function</i> on page 2-1265 for the enumerators of the enumerated type <code>_eUnitNo</code> .																			
BootPControl,							OK													
IPAdr[] (array)		OK																		
Specify an array.																				
Subnet Mask[] (array)		OK																		
Specify an array.																				
Default Gateway[] (array)		OK																		
Specify an array.																				

## Function

The ChangelPAdr instruction changes the IP address of the built-in EtherNet/IP port or EtherNet/IP Unit that is specified with *UnitNo* (Unit number) according to IP address assignment method and setting timing *BootPControl*.

If you specify the built-in EtherNet/IP port with *UnitNo*, the port goes to link OFF status when execution of the instruction ends and then goes to link ON status with the new IP address.

If you specify an EtherNet/IP Unit with *UnitNo*, the EtherNet/IP Unit is restarted when execution of the instruction ends. Communications with the new IP address is enabled when restarting the Unit ends.

You can use this instruction to change the IP address of the built-in EtherNet/IP port, or an EtherNet/IP Unit from an HMI.

The data type of *UnitNo* is enumerated type `_eUnitNo`. The meanings of the enumerators are as follows:

Enumerator	Meaning
<code>_CBU_CPU</code> *1	Built-in EtherNet/IP port
<code>_CBU_CPU_Port1</code> *2	Built-in EtherNet/IP communications port 1
<code>_CBU_CPU_Port2</code> *3	Built-in EtherNet/IP communications port 2
<code>_CBU_No00</code> to <code>_CBU_ - No15</code> *4	Unit number 00 to 15 of the EtherNet/IP Unit

\*1. Specification is possible for an NJ-series CPU Unit.

\*2. Specification is possible for an NX-series CPU Unit. You can specify `_CBU_CPU` instead of `_CBU_CPU_Port1`.

\*3. Specification is possible for an NX-series CPU Unit. You cannot use it for CPU Units without Communications Port 2.

\*4. Specification is possible for an NJ-series CPU Unit.

The value of *BootPControl* determines how to obtain the new IP address and when to set it, as described in the following table.

For *BootPControl*, you can specify a value in the range of 0 to 2, 4 for port 1 on an NX502 CPU Unit. When port 2 is used, 0 to 4 can be specified.

For *BootPControl*, you can specify a value in the range of 0 to 2 for port 1 on an NX-series CPU Unit except for an NX502, and for an NJ-series CPU Unit.

The range is 0 to 3 for port 2 on an NX-series CPU Unit except for an NX502.

Value of <i>BootPControl</i>	Method to obtain the IP address	When to change the IP address
0	The IP address is obtained from IP address IPAdr[], subnet mask SubnetMask[], and default gateway DefaultGateway[].	The IP address is set only once each time the instruction is executed (fixed setting).
1	The IP address is obtained from the BOOTP server.	The IP address is set once when the instruction is executed and then once each time the power supply to the Controller is turned ON.
2	The IP address is obtained from the BOOTP server.	The IP address is set only once each time the instruction is executed (fixed setting).
3	The port is set to an unused port. Any existing IP address is deleted.	The IP address is set only once each time the instruction is executed (fixed setting).
4	The IP address is obtained from the DHCP server.	The IP address is set only once each time the instruction is executed (fixed setting).

Set the IP address, subnet mask, and default gateway in order in elements 0 to 3 of IPAdr[], SubnetMask[], and DefaultGateway[]. For example, if the new IP address is 130.58.17.32, set IPAdr[0] to BYTE#16#82, IPAdr[1] to BYTE#16#3A, IPAdr[2] to BYTE#16#11 and IPAdr[3] to BYTE#16#20.

The valid ranges of IPAdr[], SubnetMask[], and DefaultGateway[] depend on whether you specify the built-in EtherNet/IP port or an EtherNet/IP Unit for *UnitNo*, as shown below. The valid ranges of the values are valid only when the value of *BootPControl* is set to 0.

Setting of UnitNo	Input variable	Valid range
Built-in EtherNet/IP port	IPAdr[] (array)	The following IP addresses cannot be used. All other IP addresses are valid. <ul style="list-style-type: none"> <li>IP addresses that start with 127, 0, or 255</li> <li>IP addresses with a host ID for which all bits are 0's or for which all bits are 1's</li> <li>Class D IP addresses (224.0.0.0 to 239.255.255.255)</li> <li>Class E IP addresses (240.0.0.0 to 255.255.255.255)</li> <li>IP addresses that are reserved for AutoIP*<sup>1</sup> (169.254.0.0 to 169.254.255.255)</li> <li>IP addresses of USB ports (192.168.255.0 to 192.168.255.255)*<sup>2</sup></li> </ul>
	SubnetMask[] (array)	192.0.0.0 to 255.255.255.252
	DefaultGateway[] (array)	The following IP addresses cannot be used. All other IP addresses are valid. <ul style="list-style-type: none"> <li>IP addresses that start with 127, 0, or 255</li> <li>There is only one address for which all bits are 1's</li> <li>Class D IP addresses (224.0.0.0 to 239.255.255.255)</li> <li>Class E IP addresses (240.0.0.0 to 255.255.255.255)</li> <li>IP addresses that are reserved for AutoIP*<sup>1</sup> (169.254.0.0 to 169.254.255.255)</li> <li>IP addresses of USB ports (192.168.255.0 to 192.168.255.255)*<sup>2</sup></li> </ul>
EtherNet/IP Unit	IPAdr[] (array)	The following IP addresses cannot be used. All other IP addresses are valid. <ul style="list-style-type: none"> <li>IP addresses that start with 127</li> <li>Class D IP addresses (224.0.0.0 to 239.255.255.255)</li> <li>Class E IP addresses (240.0.0.0 to 255.255.255.255)</li> </ul>
	SubnetMask[] (array)	<ul style="list-style-type: none"> <li>0.0.0.0</li> <li>192.0.0.0 to 255.255.255.252</li> </ul>
	DefaultGateway[] (array)	The following IP addresses cannot be used. All other IP addresses are valid. <ul style="list-style-type: none"> <li>IP addresses that start with 127</li> <li>Class D IP addresses (224.0.0.0 to 239.255.255.255)</li> <li>Class E IP addresses (240.0.0.0 to 255.255.255.255)</li> </ul>

\*1. AutoIP is an automatic IP address assignment feature of Windows 98 and later operating systems.

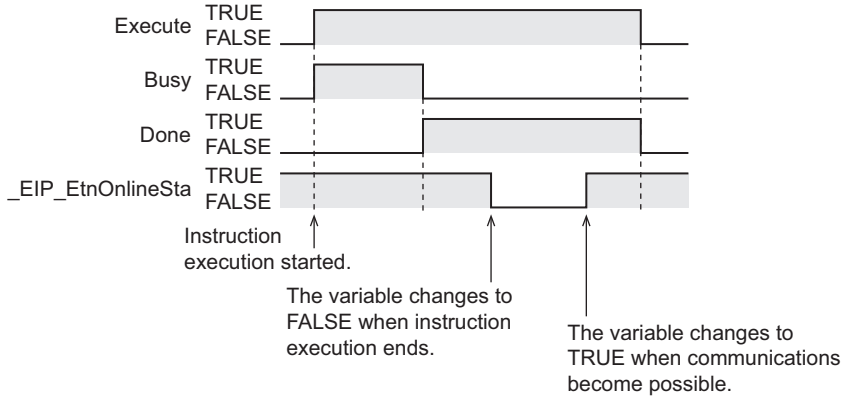
\*2. NX502 CPU Units, NX102 CPU Units and NX1P2 CPU Units do not have USB ports.

The values of IPAdr[], SubnetMask[], and DefaultGateway[] are ignored when the value of *BootPCControl* is 1 or 2. Therefore, the values of IPAdr[], SubnetMask[], and DefaultGateway[] can be outside of the valid ranges.

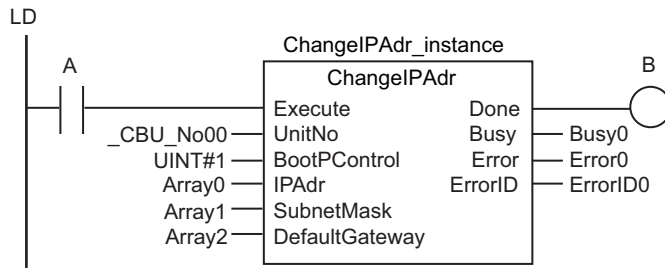
If you specify the built-in EtherNet/IP port for *UnitNo*, you can use the *\_EIP\_EtnOnlineSta*, *\_EIP1\_EtnOnlineSta*, and *\_EIP2\_EtnOnlineSta* system-defined variables to see if communications are possible.

Here, *\_EIP\_EtnOnlineSta* is used as an example, but this information also applies to *\_EIP1\_EtnOnlineSta* and *\_EIP2\_EtnOnlineSta*.

When *Busy* changes to FALSE, *\_EIP\_EtnOnlineSta* changes to FALSE. When communications using the new IP address are enabled, *\_EIP\_EtnOnlineSta* changes to TRUE.



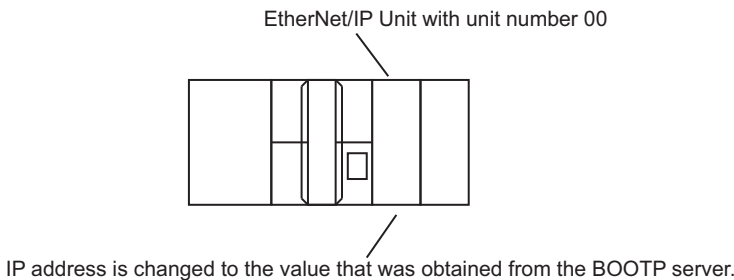
The following example shows how to change the IP address of the EtherNet/IP Unit with unit number 00 to the IP address that is obtained from the BOOTP server each time the instruction is executed. If A (*Execute*) is changed to TRUE from an HMI or other device, the IP address is changed to the IP address that is obtained from the BOOTP server. Then, each time the power supply is turned ON, the IP address is changed to the IP address that is obtained from the BOOTP server.



ST

ChangeIPAdr\_instance(A,\_CBU\_No00,UINT#1,Array0,Array1,Array2,B,Busy0,Error0,ErrorID0);

The IP address that was obtained from the BOOTP server is set for the EtherNet/IP Unit with a unit number of 00. Then, each time the power supply is turned ON, the IP address is reset to the IP address that is obtained from the BOOTP server.



## Related System-defined Variables

Name	Meaning	Data type	Description
_EIP_EtnOnlineSta <sup>*1</sup>	Online	BOOL	This variable indicates when built-in EtherNet/IP port communications can be used. TRUE: Communications are possible. FALSE: Communications are not possible.
_EIP1_EtnOnlineSta <sup>*2</sup>			
_EIP2_EtnOnlineSta <sup>*3</sup>			

\*1. Use this variable name for an NJ-series CPU Unit.

\*2. Use this variable name for port 1 on an NX-series CPU Unit.  
You can specify `_EIP_EtnOnlineSta` instead of `_EIP1_EtnOnlineSta`.

\*3. Use this variable name for port 2 on an NX-series CPU Unit.

## Additional Information

- If you specify the built-in EtherNet/IP port with *UnitNo*, the following events are recorded in the event log when the instruction is executed.
  - Link OFF Detected
  - IP Address Fixed
- You can change the IP address with this instruction even if the CPU Unit is write protected.

## Precautions for Correct Use

- Execution of this instruction is continued until processing is completed even if the value of *Execute* changes to FALSE or the execution time exceeds the task period. The value of *Done* changes to TRUE when processing is completed. Use this to confirm normal completion of the processing.
- Refer to *Using this Section* on page 2-3 for a timing chart for *Execute*, *Done*, *Busy*, and *Error*.
- If you specify the built-in EtherNet/IP port with *UnitNo*, communications with the built-in EtherNet/IP port will be disabled temporarily when execution of the instruction ends. Confirm that the system will not be adversely affected even if the built-in EtherNet/IP port goes to link OFF status.
- If you specify an EtherNet/IP Unit with *UnitNo*, the EtherNet/IP Unit is restarted when execution of the instruction ends. Confirm that the system will not be adversely affected even if the EtherNet/IP Unit is restarted.
- You cannot use this instruction in an event task. A compiling error will occur.
- If the power supply to the Controller is turned OFF while this instruction is in execution (the value of *Busy* is TRUE), a major fault level error may occur when the power supply is turned ON next time.
- Error* is TRUE if an error occurred. The meanings of the values of *ErrorID* are given in the following table.

Value of <i>ErrorID</i>	Error name	Description
16#0400	Input Value Out of Range	The value of an input variable is outside of the valid range.
16#2400	No Execution Right	The instruction was executed when changing the status was not possible. <ul style="list-style-type: none"> <li>While changing the settings was already in progress</li> <li>While restarting the built-in EtherNet/IP port was in progress</li> <li>While downloading tag data link settings from the Network Configurator was in progress</li> </ul>

Value of ErrorID	Error name	Description
16#2402	Too Many Simultaneous Instruction Executions	Too many ChangeIPAdr, ChangeXBUnitIPAdr, ChangeFTPAccount, and ChangeNTPServerAdr instructions were executed at the same time.
16#240D	IP Address Setting Invalid	The network address of the specified port is the same as the network address of another port.

## Sample Programming

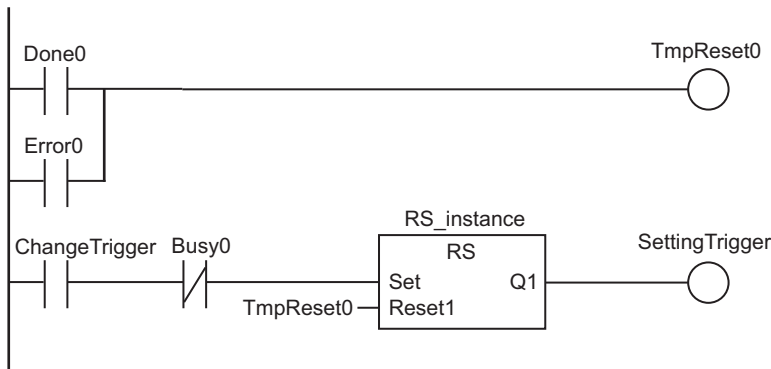
This sample changes the IP address of the built-in EtherNet/IP port to the following fixed IP address.

Item	Value
IP address	192.168.250.10
Subnet mask	255.255.255.0
Default gateway	0.0.0.0

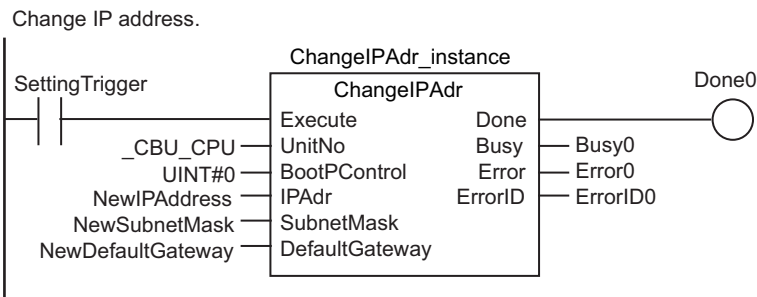
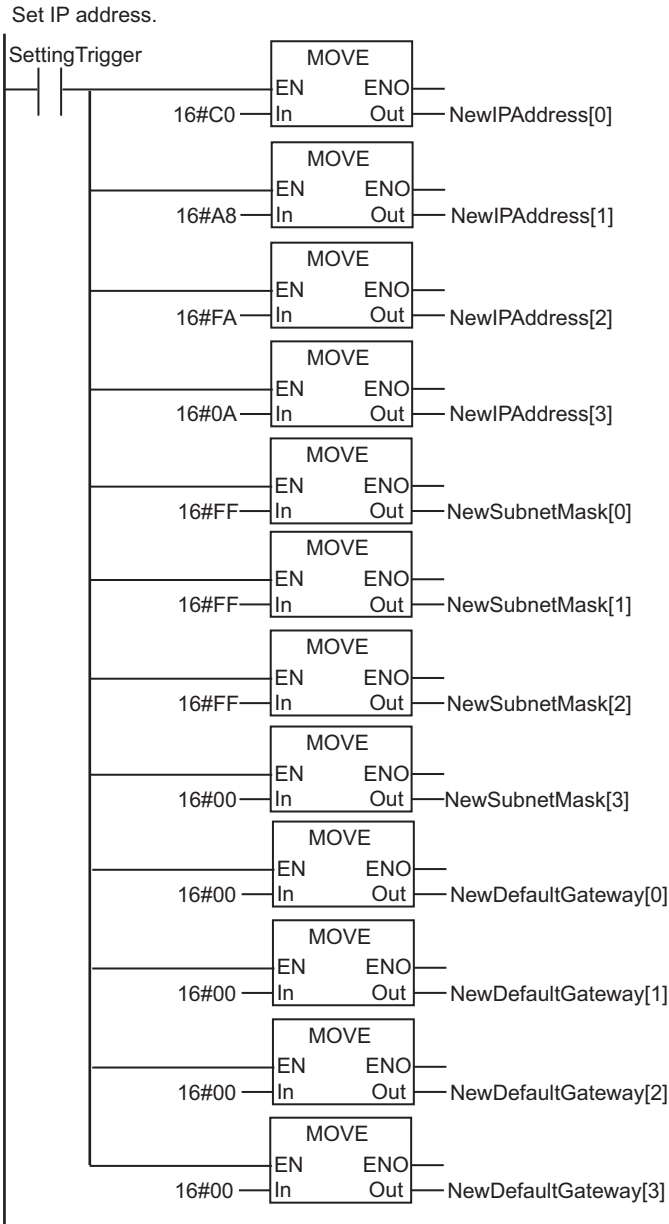
### LD

Variable	Data type	Initial value	Comment
ChangeTrigger	BOOL	False	Change Flag
SettingTrigger	BOOL	False	Changing IP Address Flag
Done0	BOOL	False	IP address changed
Error0	BOOL	False	Error in changing the IP address
Busy0	BOOL	False	Changing IP address
ErrorID0	WORD	16#0	Error ID for changing the IP address
TmpReset0	BOOL	False	Temporary variable
NewIPAddress	ARRAY[0..3] OF BYTE	[4(16#0)]	IP address
NewSubnetMask	ARRAY[0..3] OF BYTE	[4(16#0)]	Subnet mask
NewDefaultGateway	ARRAY[0..3] OF BYTE	[4(16#0)]	Default gateway
RS_instance	RS		
ChangeIPAdr_instance	ChangeIPAdr		

Check execution conditions.







**ST**

Variable	Data type	Initial value	Comment
ChangeTrigger	BOOL	False	Change Flag
SettingTrigger	BOOL	False	Changing IP Address Flag

Variable	Data type	Initial value	Comment
Done0	BOOL	False	IP address changed
Error0	BOOL	False	Error in changing the IP address
Busy0	BOOL	False	Changing IP address
ErrorID0	WORD	16#0	Error ID for changing the IP address
NewIPAddress	ARRAY[0..3] OF BYTE	[4(16#0)]	IP address
NewSubnetMask	ARRAY[0..3] OF BYTE	[4(16#0)]	Subnet mask
NewDefaultGateway	ARRAY[0..3] OF BYTE	[4(16#0)]	Default gateway
RS_instance	RS		
ChangeIPAdr_instance	ChangeIPAdr		

```

//Check execution conditions.
IF ((ChangeTrigger=TRUE) AND (Busy0=FALSE)) THEN
    SettingTrigger:= TRUE;
END_IF;

IF ((Done0=TRUE) OR (Error0=TRUE)) THEN
    SettingTrigger:= FALSE;
END_IF;

//Set IP address.
IF (SettingTrigger=TRUE) THEN
    NewIPAddress[0] := 16#C0;
    NewIPAddress[1] := 16#A8;
    NewIPAddress[2] := 16#FA;
    NewIPAddress[3] := 16#0A;
    NewSubnetMask[0] := 16#FF;
    NewSubnetMask[1] := 16#FF;
    NewSubnetMask[2] := 16#FF;
    NewSubnetMask[3] := 16#00;
    NewDefaultGateway[0] := 16#00;
    NewDefaultGateway[1] := 16#00;
    NewDefaultGateway[2] := 16#00;
    NewDefaultGateway[3] := 16#00;
END_IF;

//Change IP address.
ChangeIPAdr_instance(
    Execute := SettingTrigger,
    UnitNo := _CBU_CPU,
    BootPControl := UINT#0,
    IPAdr := NewIPAddress,
    SubnetMask := NewSubnetMask,
    DefaultGateway := NewDefaultGateway,
    Done =>Done0,
    Busy =>Busy0,

```

```
Error      =>Error0,  
ErrorID    =>ErrorID0);
```

# ChangeXBUUnitIPAdr

Changes the IP address of the EtherNet/IP port on an X Bus Unit.

Instruction	Name	FB/F UN	Graphic expression	ST expression
ChangeXBUnitIPAdr	Change IP Address of X Bus Unit	FB		ChangeXBUnitIPAdr_instance(Execute, UnitProxy, PortNo, BootPControl, IPAdr, SubnetMask, DefaultGateway, Done, Busy, Error, ErrorID);



## Precautions for Correct Use

You can use this instruction for the NX502 CPU Unit.

## Variables

	Meaning	I/O	Description	Valid range	Unit	Default
UnitProxy	Specified Unit	Input	Specifies the Unit for which to change the IP address.	Depends on data type.	---	*1
PortNo	Port number		Port number	1 or 2		1
BootPControl	IP address assignment method and setting timing		Method to obtain the IP address and the setting timing	0 to 3 *2		0
IPAdr[] (array)	IP address		IP address	*4		(0, 0, 0, 0)*3
SubnetMask[] (array)	Subnet mask		Subnet mask			(0, 0, 0, 0)
DefaultGateway[] (array)	Default gateway		Default gateway			(0, 0, 0, 0)*3

\*1. If you omit an input parameter, the default value is not applied. A building error will occur.

\*2. The range is 0 to 2 for port 1 on a CPU Unit.

\*3. If you omit an input parameter, the default value is not applied. An execution error will occur.

\*4. Refer to *Function* on page 2-1275 for details.

	Boolean	Bit strings					Integers							Real numbers	Times, durations, dates, and text strings					
	BOOL	BYTE	WORD	DWORD	LWORD	USINT	UINT	UDINT	ULINT	SINT	INT	DINT	LINT	REAL	LREAL	TIME	DATE	TOD	DT	STRING
UnitProxy																				
PortNo						OK														

	Boo lean	Bit strings				Integers								Real num bers		Times, durations, dates, and text strings				
	BOOL	BYTE	WORD	DWORD	LWORD	USINT	UINT	UDINT	ULINT	SINT	INT	DINT	LINT	REAL	LREAL	TIME	DATE	TOD	DT	STRING
BootPControl							OK													
IPAdr[] (array)		OK																		
Specify an array.																				
SubnetMask[] (array)		OK																		
Specify an array.																				
DefaultGateway[] (array)		OK																		
Specify an array.																				

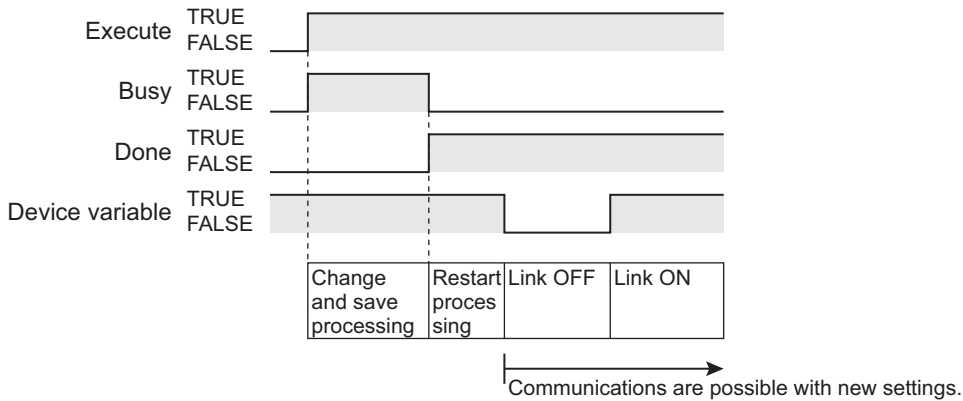
### Function

The ChangeXBUInitIPAdr instruction writes the values of *IPAdr*, *SubnetMask* and *DefaultGateway* when *Execute* changes from FALSE to TRUE.

The value of *Busy* remains TRUE during execution of the instruction, and the value of *Done* changes to TRUE when reception of the setting change request is completed.

The settings are not applied yet when *Done* changes to TRUE. The settings written by the setting change command are reflected when *Done* changes to TRUE after the change and save processing are completed.

The EtherNet/IP port goes to link OFF.



The data type of *UnitProxy* is structure *\_sXBU\_ID*. The specifications are as follows:

Name	Meaning	Description	Data type
UnitProxy	Specified Unit	Specified Unit	<i>_sXBU_ID</i>
UnitNo	Unit number	Unit number of the specified Unit	UINT

The values of *IPAdr*, *SubnetMask*, and *DefaultGateway* are ignored when the value of *BootPControl* is not "0000 hex". In this case, the IP address range is also not checked.

The completion of the restart of an EtherNet/IP port can be confirmed when I/O ports *ETN\_Port1Status.EtnOnlineSta* and *ETN\_Port2Status.EtnOnlineSta* change to TRUE.

When the instruction is executed, restart, link OFF, and IP address determination of the communications port are registered in the event log.

The settings changed with the instruction are saved in the memory card and remain effective even after the power is turned OFF and then turned ON.

The settings are changed with the instruction by ignoring the write protection of the CPU Unit.

The value of *BootPControl* determines how to obtain the new IP address and when to set it, as described in the following table.

For *BootPControl*, you can specify a value in the range of 0 to 2 for port 1 on an NX502 CPU Unit.

When port 2 is used, 0 to 3 can be specified.

Value of <i>BootPControl</i>	Method to obtain the IP address	When to change the IP address
0	The IP address is obtained from IP address IPAdr[], subnet mask SubnetMask[], and default gateway DefaultGateway[].	The IP address is set only once each time the instruction is executed (fixed setting).
1	The IP address is obtained from the BOOTP server.	The IP address is set once when the instruction is executed and then once each time the power supply to the Controller is turned ON.
2	The IP address is obtained from the BOOTP server.	The IP address is set only once each time the instruction is executed (fixed setting).
3	The port is set to an unused port. Any existing IP address is deleted.	The IP address is set only once each time the instruction is executed (fixed setting).

The valid ranges of IPAdr[], SubnetMask[], and DefaultGateway[] are as follows. The valid ranges of the values are valid only when the value of *BootPControl* is set to 0.

Input variable	Valid range
IPAdr[] (array)	The following IP addresses cannot be used. All other IP addresses are valid. <ul style="list-style-type: none"> <li>IP addresses that start with 127, 0, or 255</li> <li>IP addresses with a host ID for which all bits are 0's or for which all bits are 1's</li> <li>Class D IP addresses (224.0.0.0 to 239.255.255.255)</li> <li>Class E IP addresses (240.0.0.0 to 255.255.255.255)</li> <li>Link local addresses (169.254.0.0 to 169.254.255.255)</li> <li>Link local addresses (192.168.255.0 to 192.168.255.255)</li> </ul>
SubnetMask[] (array)	<ul style="list-style-type: none"> <li>Bits must be continuous from the beginning.</li> <li>192.0.0.0 to 255.255.255.252</li> </ul>
DefaultGateway[] (array)	<ul style="list-style-type: none"> <li>There is only one address for which all bits are 0's</li> <li>IP addresses that start with 127, 0, or 255</li> <li>IP addresses with a host ID for which all bits are 0's or for which all bits are 1's</li> <li>Class D IP addresses (224.0.0.0 to 239.255.255.255)</li> <li>Class E IP addresses (240.0.0.0 to 255.255.255.255)</li> <li>Link local addresses (169.254.0.0 to 169.254.255.255)</li> </ul>

## Additional Information

If you execute this instruction on the Simulator, *Busy* changes to TRUE for only one task period after *Execute* changes from FALSE to TRUE. *Busy* changes to FALSE and *Done* changes to TRUE in the next task period.

The input parameters are discarded.

## Precautions for Correct Use

- Execution of this instruction is continued until processing is completed even if the value of *Execute* changes to FALSE or the execution time exceeds the task period. The value of *Done* changes to TRUE when processing is completed. Use this to confirm normal completion of the processing.
- Refer to *Using this Section* on page 2-3 for a timing chart for *Execute*, *Done*, *Busy*, and *Error*.
- You cannot use this instruction in an event task. A compiling error will occur.
- Communications with devices on the network are interrupted once because the EtherNet/IP port automatically restarts (link OFF to ON) after changing the IP address.
- *Error* is TRUE if an error occurred. The meanings of the values of *ErrorID* are given in the following table.

Value of <i>ErrorID</i>	Error name	Description
16#0400	Input Value Out of Range	The value of an input variable is outside of the valid range.
16#2400	No Execution Right	The instruction was executed when changing the status was not possible. <ul style="list-style-type: none"> <li>• While changing the settings was already in progress</li> <li>• While restarting the built-in EtherNet/IP port was in progress</li> <li>• While downloading tag data link settings from the Network Configurator was in progress</li> </ul>
16#2402	Too Many Simultaneous Instruction Executions	Too many ChangeIPAdr, ChangeXBUnitIPAdr, ChangeFTPAccount, and ChangeNTPServerAdr instructions were executed at the same time.
16#240D	IP Address Setting Invalid	The network address of the specified port is the same as the network address of another port.

# ChangeFTPAccount

The ChangeFTPAccount instruction changes the FTP login name and password of the built-in EtherNet/IP port on a CPU Unit or those of an EtherNet/IP Unit.

Instruction	Name	FB/ FUN	Graphic expression	ST expression
Change-FTPAccount	Change FTP Account	FB		ChangeFTPAccount_instance( Execute, UnitNo, NewUserName, NewPassword, Done, Busy, Error, ErrorID);



## Version Information

A CPU Unit with unit version 1.02 or later and Sysmac Studio version 1.03 or higher are required to use this instruction.

## Variables

	Meaning	I/O	Description	Valid range	Unit	Default
UnitNo	Unit number	Input	Unit number for which to change the FTP login name and password	_CBU_CPU or _CBU_No00 to _CBU_No15 *1	---	_CBU_No00
NewUserName	Login name		Login name	1 to 12 single-byte alphanumeric characters (case sensitive)*2		---
NewPassword	Password		Password	*3		---

- \*1. You can set `_CBU_No00` to `_CBU_No15` only for an NJ-series CPU Unit.
- \*2. This instruction can also be executed by specifying the CJ1W-EIP21S. The login name of the server function can be set up to 16 characters. However, if the FTP account is changed using this instruction, the login name can be set up to 12 characters.
- \*3. The valid range depends on whether you specify the built-in EtherNet/IP port or an EtherNet/IP Unit for *UnitNo* (Unit number). Refer to *Valid Range for NewPassword* on page 2-1279 for details.

	Boo lean	Bit strings				Integers								Real num- bers		Times, durations, dates, and text strings					
	BOOL	BYTE	WORD	DWORD	LWORD	USINT	UINT	UDINT	ULINT	SINT	INT	DINT	LINT	REAL	LREAL	TIME	DATE	TOD	DT	STRING	
UnitNo																					
NewUser-Name																					OK
NewPass- word																					OK



## Function

The ChangeFTPAccount instruction changes the FTP login name and password of the built-in EtherNet/IP port or EtherNet/IP Unit that is specified with *UnitNo* (Unit number), to the values specified with FTP login name *NewUserName* and password *NewPassword*.

When *Execute* changes from FALSE to TRUE, the values of *NewUserName* and *NewPassword* are written as the FTP login name and password of the built-in EtherNet/IP port.

The value of *Busy* remains TRUE during execution of the instruction, and the value of *Done* changes to TRUE when reception of the setting change request is completed.

The settings are not applied yet when *Done* changes to TRUE.

If you specify an EtherNet/IP Unit with *UnitNo*, the EtherNet/IP Unit is restarted when execution of the instruction ends. The new login name and password are enabled when restarting the Unit ends.

You can use this instruction to change the FTP login name and password of the built-in EtherNet/IP port or an EtherNet/IP Unit from an HMI.

The data type of *UnitNo* is enumerated type *\_eUnitNo*. The meanings of the enumerators are as follows:

Enumerator	Meaning
<i>_CBU_CPU</i>	Built-in EtherNet/IP port
<i>_CBU_No00</i> to <i>_CBU_No15</i> *1	Unit number 00 to 15 of the EtherNet/IP Unit

\*1. This can be set only for an NJ-series CPU Unit.

## Valid Range for *NewPassword*

The valid range of the value of *NewPassword* depends on whether you specify the built-in EtherNet/IP port or an EtherNet/IP Unit for *UnitNo* (Unit number), as given below.

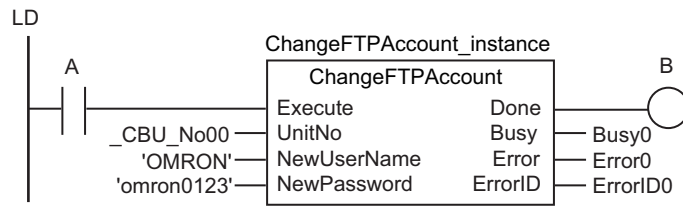
Setting of <i>UnitNo</i>	Valid range	
Built-in EtherNet/IP port	8 to 32 single-byte alphanumeric characters (case sensitive)	
EtherNet/IP Unit*1	<i>CJ1W-EIP21</i>	1 to 8 single-byte alphanumeric characters (case sensitive)
	<i>CJ1W-EIP21S</i>	8 to 16 single-byte alphanumeric characters (case sensitive)

\*1. This can be set only for an NJ-series CPU Unit.

## Notation Example

The following example shows how to change the FTP login name and password of the EtherNet/IP Unit with unit number 00.

If A (*Execute*) is changed to TRUE from an HMI or any other device, the FTP login name is changed to 'OMRON' and the password is changed to 'omron0123'.

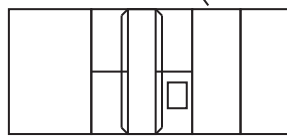


ST

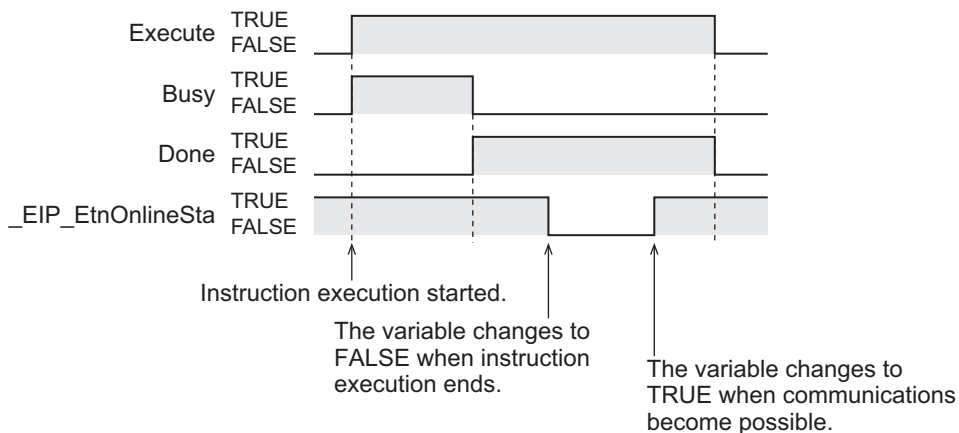
```
ChangeFTPAccount_instance(A,_CBU_No00,'OMRON','omron0123',B,Busy0,Error0,ErrorID0);
```

The FTP login name is changed to 'OMRON' and the password is changed to 'omron0123' for the EtherNet/IP Unit with unit number 00.

EtherNet/IP Unit with unit number 00



FTP login name: OMRON  
Password: omron0123



### Related System-defined Variables

Name	Meaning	Data type	Description
<u>_EIP_EtnOnlineSta</u> <sup>*1</sup>	Online	BOOL	This variable indicates when built-in EtherNet/IP port communications can be used. TRUE: Communications are possible. FALSE: Communications are not possible.
<u>_EIP1_EtnOnlineSta</u> <sup>*2</sup>			
<u>_EIP2_EtnOnlineSta</u> <sup>*3</sup>			

\*1. Use this variable name for an NJ-series CPU Unit.

\*2. Use this variable name for port 1 on an NX-series CPU Unit.  
You can specify \_EIP\_EtnOnlineSta instead of \_EIP1\_EtnOnlineSta.

\*3. Use this variable name for port 2 on an NX-series CPU Unit.

## Additional Information

- You can change the FTP login name and password with this instruction even if the CPU Unit is write protected.
- Even if you change the FTP login name and password with this instruction during a file transfer, the file transfer will continue.
- If you make changes in the FTP login settings with this instruction while you are logged in with FTP, already established FTP sessions will be continuously maintained even after the changes.

## Precautions for Correct Use

- Execution of this instruction is continued until processing is completed even if the value of *Execute* changes to FALSE or the execution time exceeds the task period. The value of *Done* changes to TRUE when processing is completed. Use this to confirm normal completion of the processing.
- Refer to *Using this Section* on page 2-3 for a timing chart for *Execute*, *Done*, *Busy*, and *Error*.
- You cannot use this instruction in an event task. A compiling error will occur.
- If the power supply to the Controller is turned OFF while this instruction is in execution (the value of *Busy* is TRUE), a major fault level error may occur when the power supply is turned ON next time.
- *Error* is TRUE if an error occurred. The meanings of the values of *ErrorID* are given in the following table.

Value of <i>ErrorID</i>	Error name	Description
16#0400	Input Value Out of Range	<ul style="list-style-type: none"> <li>• The value of an input variable is outside of the valid range.</li> <li>• The value of an input variable is incorrect.</li> </ul>
16#2400	No Execution Right	<p>The instruction was executed when changing the status was not possible.</p> <ul style="list-style-type: none"> <li>• While changing the settings was already in progress</li> <li>• While restarting the built-in EtherNet/IP port was in progress</li> <li>• While downloading tag data link settings from the Network Configurator was in progress</li> </ul>
16#2402	Too Many Simultaneous Instruction Executions	Too many ChangeIPAdr, ChangeXBUnitIPAdr, ChangeFTPAccount, and ChangeNTPServerAdr instructions were executed at the same time.

# ChangeNTPServerAdr

The ChangeNTPServerAdr instruction changes the NTP server address of the built-in EtherNet/IP port on a CPU Unit or the NTP server address of an EtherNet/IP Unit.

Instruction	Name	FB/ FUN	Graphic expression	ST expression
Change-NTPServerAdr	Change NTP Server Address	FB		ChangeNTPServerAdr_instance(Execute, UnitNo, AdrType, IPAdr, HostName, Done, Busy, Error, ErrorID);



## Version Information

A CPU Unit with unit version 1.02 or later and Sysmac Studio version 1.03 or higher are required to use this instruction.

## Variables

	Meaning	I/O	Description	Valid range	Unit	Default
UnitNo	Unit number	Input	Unit number for which to change the NTP server address	_CBU_CPU or _CBU_No00 to _CBU_No15 *1	---	_CBU_No00
AdrType	Server setting method		NTP Server Address Setting Method TRUE: Host name FALSE: IP address	Depends on data type.		FALSE
IPAdr[] (array)*2	IP address		IP address of the NTP server	*3		---
HostName	Host name		Host name of the address of the NTP server	1 to 200 single-byte alphanumeric characters, "-" (hyphen), and "." (dot)*4		---

\*1. You can set `_CBU_No00` to `_CBU_No15` only for an NJ-series CPU Unit.

\*2. This is a 4-element array with element numbers 0 to 3.

\*3. The valid range depends on whether you specify the built-in EtherNet/IP port or an EtherNet/IP Unit for `UnitNo` (Unit number). Refer to *Valid Range for IPAdr[]* on page 2-1283, below, for details.

\*4. There can be between 1 and 63 single-byte alphanumeric characters between "." (dot) and "." (dot). The valid range of `HostName` is valid only when server setting method `AdrType` is FALSE.

	Boo lean	Bit strings					Integers							Real num- bers		Times, durations, dates, and text strings				
	BOOL	BYTE	WORD	DWORD	LWORD	USINT	UINT	UDINT	ULINT	SINT	INT	DINT	LINT	REAL	LREAL	TIME	DATE	TOD	DT	STRING
UnitNo	Refer to <i>Function</i> on page 2-1283 for the enumerators of the enumerated type <code>_eUnitNo</code> .																			
AdrType	OK																			
IPAdr[] (ar- ray)	OK	Specify an array.																		
HostName																				OK

## Function

The ChangeNTPServerAdr instruction changes the address of the NTP server of the built-in EtherNet/IP port or EtherNet/IP Unit that is specified with unit number *UnitNo*.

If server setting method *AdrType* is TRUE, the NTP server address is changed to IP address IPAdr[].

If server setting method *AdrType* is FALSE, the NTP server address is changed to host name *HostName*.

When *Execute* changes from FALSE to TRUE, the values of IPAdr[] or *HostName* are written as the NTP server address. The value of *Busy* remains TRUE during execution of the instruction, and the value of *Done* changes to TRUE when reception of the setting change request is completed.

The settings are not applied yet when *Done* changes to TRUE.

If you specify an EtherNet/IP Unit with *UnitNo*, the EtherNet/IP Unit is restarted when execution of the instruction ends. The new NTP server address is enabled when restarting the Unit ends.

You can use this instruction to change the NTP server address of the built-in EtherNet/IP port or an EtherNet/IP Unit from an HMI.

The data type of *UnitNo* is enumerated type `_eUnitNo`. The meanings of the enumerators are as follows:

Enumerator	Meaning
<code>_CBU_CPU</code>	Built-in EtherNet/IP port
<code>_CBU_No00</code> to <code>_CBU_No15</code> *1	Unit number 00 to 15 of the EtherNet/IP Unit

\*1. This can be set only for an NJ-series CPU Unit.

Set the IP address in order in elements 0 to 3 of IPAdr[]. For example, to change the NTP server address to IP address 130.58.17.32, set IPAdr[0] to BYTE#16#82, IPAdr[1] to BYTE#16#3A, IPAdr[2] to BYTE#16#11 and IPAdr[3] to BYTE#16#20.

## Valid Range for IPAdr[]

The valid range of the value of IPAdr[] depends on whether you specify the built-in EtherNet/IP port or an EtherNet/IP Unit for unit number *UnitNo*, as given below. The valid ranges of the values are valid only when *AdrType* is TRUE.

Setting of <i>UnitNo</i>	Valid range
Built-in EtherNet/IP port	The following IP addresses cannot be used. All other IP addresses are valid. <ul style="list-style-type: none"> <li>• IP addresses that start with 127, 0, or 255</li> <li>• Class D IP addresses (224.0.0.0 to 239.255.255.255)</li> <li>• Class E IP addresses (240.0.0.0 to 255.255.255.255)</li> <li>• IP addresses that are reserved for AutoIP*<sup>1</sup> (169.254.0.0 to 169.254.255.255)</li> <li>• IP addresses of USB ports (192.168.255.0 to 192.168.255.255)</li> </ul>
EtherNet/IP Unit	The following IP addresses cannot be used. All other IP addresses are valid. <ul style="list-style-type: none"> <li>• IP addresses that start with 127</li> <li>• Class D IP addresses (224.0.0.0 to 239.255.255.255)</li> <li>• Class E IP addresses (240.0.0.0 to 255.255.255.255)</li> </ul>

\*1. AutoIP is an automatic IP address assignment feature of Windows 98 and later operating systems.

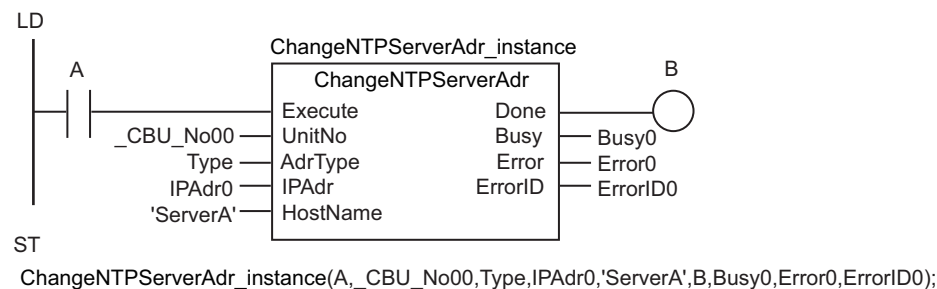
## Notation Example

The following example shows how to change the NTP server address of the EtherNet/IP Unit with unit number 00.

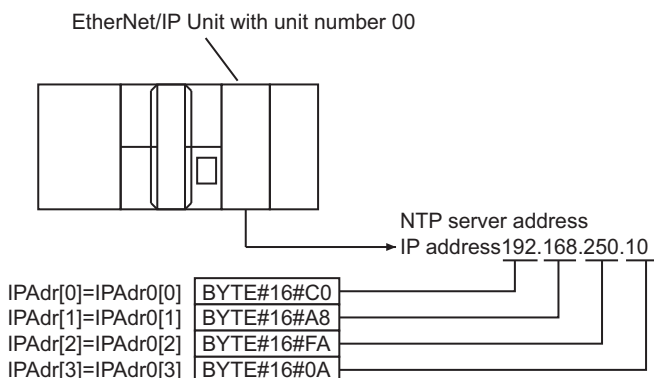
If A (*Execute*) is changed to TRUE from an HMI or other device, the NTP server address is changed. For example, assume that IPAdr0[0] is BYTE#16#C0, IPAdr0[1] is BYTE#16#A8, IPAdr0[2] is BYTE#16#FA, and IPAdr0[3] is BYTE#16#0A.

If Type (*AdrType*) is TRUE, the NTP server address is changed to IP address 192.168.250.10.

If Type (*AdrType*) is FALSE, the NTP server address is changed to host name ServerA.



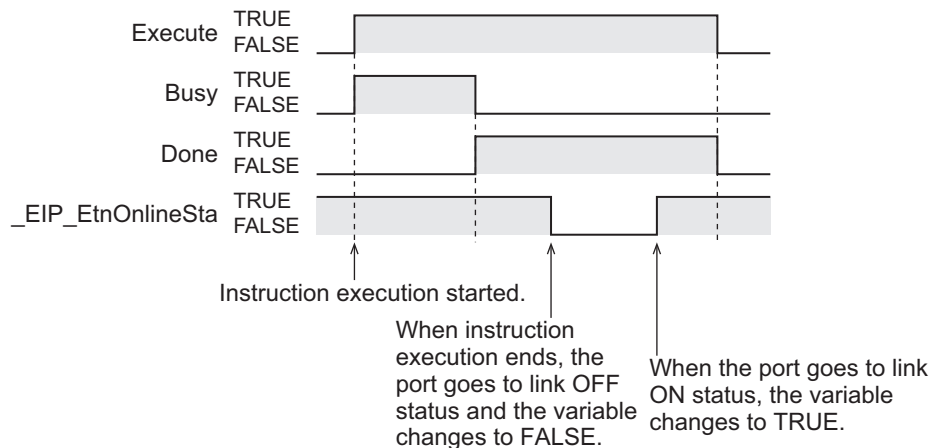
The NTP server address of the EtherNet/IP Unit with a unit number of 00 is changed to an IP address of 192.168.250.10.



You can use the *\_EIP\_EtnOnlineSta*, *\_EIP1\_EtnOnlineSta*, or *\_EIP2\_EtnOnlineSta* system-defined variable to see if the port is in link ON status.

Here, `_EIP_EtnOnlineSta` is used as an example, but this information also applies to `_EIP1_EtnOnlineSta` and `_EIP2_EtnOnlineSta`.

When `Busy` changes to FALSE, the port changes to link OFF status, and `_EIP_EtnOnlineSta` changes to FALSE. When the port then changes to link ON status, `_EIP_EtnOnlineSta` changes to TRUE.



## Related System-defined Variables

Name	Meaning	Data type	Description
<code>_EIP_EtnOnlineSta</code> <sup>*1</sup>	Online	BOOL	This variable indicates when built-in EtherNet/IP port communications can be used. TRUE: Communications are possible. FALSE: Communications are not possible.
<code>_EIP1_EtnOnlineSta</code> <sup>*2</sup>			
<code>_EIP2_EtnOnlineSta</code> <sup>*3</sup>			

\*1. Use this variable name for an NJ-series CPU Unit.

\*2. Use this variable name for port 1 on an NX-series CPU Unit.

\*3. Use this variable name for port 2 on an NX-series CPU Unit.

## Additional Information

- You can change the NTP server address with this instruction even if the CPU Unit is write protected.
- If the NTP server whose address is to change is set to operate at a specified time interval, measuring the specified time interval will start when execution of this instruction ends.

## Precautions for Correct Use

- Execution of this instruction is continued until processing is completed even if the value of `Execute` changes to FALSE or the execution time exceeds the task period. The value of `Done` changes to TRUE when processing is completed. Use this to confirm normal completion of the processing.
- Refer to *Using this Section* on page 2-3 for a timing chart for `Execute`, `Done`, `Busy`, and `Error`.
- You cannot use this instruction in an event task. A compiling error will occur.
- If the power supply to the Controller is turned OFF while this instruction is in execution (the value of `Busy` is TRUE), a major fault level error may occur when the power supply is turned ON next time.
- `Error` is TRUE if an error occurred. The meanings of the values of `ErrorID` are given in the following table.

Value of ErrorID	Error name	Description
16#0400	Input Value Out of Range	The value of IPAdr[] or <i>HostName</i> is not correct* <sup>1</sup>
16#2400	No Execution Right	The instruction was executed when changing the status was not possible. <ul style="list-style-type: none"> <li>• While changing the settings was already in progress</li> <li>• While restarting the built-in EtherNet/IP port was in progress</li> <li>• While downloading tag data link settings from the Network Configurator was in progress</li> </ul>
16#2402	Too Many Simultaneous Instruction Executions	Too many ChangeIPAdr, ChangeXBUnitIPAdr, ChangeFTPAccount, and ChangeNTPServerAdr instructions were executed at the same time.

\*1. The setting range is checked only for the specified *AdrType*.



# FTPGetFileList

The FTPGetFileList instruction gets a list of the files in the FTP server.

Instruction	Name	FB/ FUN	Graphic expression	ST expression
FTPGetFileList	Get FTP Server File List	FB		<pre>FTPGetFileList_instance(Execute, ConnectSvr, SvrDirName, GetFile- Num, SortOrder, ExecOption, Ret- ryCfg, Cancel, FileList, Done, Busy, CommandCanceled, Error, ErrorID, ErrorIDEx, StoredNum);</pre>



## Version Information

A CPU Unit with unit version 1.08 or later and Sysmac Studio version 1.09 or higher are required to use this instruction.

## Variables

	Meaning	I/O	Description	Valid range	Unit	Default
ConnectSvr	Connected FTP server settings	Input	Setting parameters for the connected FTP server	---	---	*1
SvrDirName	FTP server directory name		Name of FTP server directory for which to get the file list	256 bytes max. (255 single-byte alphanumeric characters plus the final NULL character) <sup>*2*3</sup>		**4
GetFileNum	Number of files to list		Number of files to list	1 to 1000		1
SortOrder <sup>*5</sup>	Sort order		Order to sort the file list	_NAME_ASC, _NAME_DESC, _DATE_ASC, _DATE_DESC		_NAME_ASC
ExecOption	FTP execution options		Options for FTP execution	---		---
RetryCfg	Execution retry settings		Instruction execution retry settings	---		---
Cancel	Cancel		TRUE: Instruction execution is canceled. FALSE: Instruction execution is not canceled.	Depends on data type.		FALSE
FileList[] array <sup>*6*7*8</sup>	File details	In-out	Details for the obtained file list	---	---	*1

	Meaning	I/O	Description	Valid range	Unit	Default
Command-Canceled	Cancel completed	Output	TRUE: Canceling completed. FALSE: Canceling not completed.	Depends on data type.	---	---
StoredNum	Number of files obtained in list		Number of files for which details were obtained	0 to 1000		

- \*1. If you omit an input parameter, the default value is not applied. A building error will occur.
- \*2. You cannot use the following characters in FTP server directory names:  
\* ? < > | "
- \*3. The use of single-byte spaces is not recommended because it may change the behavior of some FTP servers. Single-byte spaces are treated as two characters.
- \*4. The default is the home directory when you log onto the FTP server.
- \*5. If the FTP server does not support sorting names, the names are in ascending order regardless of the value of *SortOrder*.
- \*6. The array can have a maximum of 1,000 elements.
- \*7. This is a one-dimensional array. If an array with more than one dimension is specified, a building error will occur.
- \*8. The first array element number is 0. If a number other than 0 is specified for the first array element, a building error will occur.

	Boo lean	Bit strings					Integers							Real numbers		Times, durations, dates, and text strings				
	BOOL	BYTE	WORD	DWORD	LWORD	USINT	UINT	UDINT	ULINT	SINT	INT	DINT	LINT	REAL	LREAL	TIME	DATE	TOD	DT	STRING
ConnectSvr	Refer to <i>Function</i> on page 2-1288 for details on the structure <code>_sFTP_CONNECT_SVR</code> .																			
SvrDirName																				OK
GetFileNum							OK													
SortOrder	Refer to <i>Function</i> on page 2-1288 for the enumerators of the enumerated type <code>_eFILE_SORT_ORDER</code> .																			
ExecOption	Refer to <i>Specifying Options for FTP Server Processing</i> on page 2-1290 for details on the structure <code>_sFTP_EXEC_OPTION</code> .																			
RetryCfg	Refer to <i>Specifying Retrying Connection Processing with the FTP Server</i> on page 2-1290 for details on the structure <code>_sFTP_RETRY_CFG</code> .																			
Cancel	OK																			
FileList[] array	Refer to <i>Function</i> on page 2-1288 for details on the structure <code>_sFTP_FILE_DETAIL</code> .																			
Command-Canceled	OK																			
StoredNum							OK													

## Function

The `FTPGetFileList` instruction gets a list of files and file details from the specified directory `SvrDirName` on the connected FTP server `ConnectSvr`.

Specify the number of files to list in `GetFileNum`. Specify the order in which to sort the obtained file information in `SortOrder`.

The data type of `ConnectSvr` is structure `_sFTP_CONNECT_SVR`. The specifications are as follows:

Name	Meaning	Description	Data type	Valid range	Unit	Default
ConnectSvr	Connected FTP server settings	Setting parameters for the connected FTP server	_sFTP_CONNECT_SVR	---	---	---
Adr	Address	IP address or host name <sup>*1</sup>	STRING	1 to 200 bytes <sup>*2</sup>		
PortNo	Port number	TCP port number of FTP server control connection	UINT	0 to 65535 <sup>*3</sup>	---	---
UserName	User name	User name on FTP server	STRING	33 bytes max. <sup>*4*5*6</sup>		
Password	Password	FTP server password	STRING	33 bytes max. <sup>*4*5*6</sup>		

- \*1. A separate DNS or Hosts setting is required to specify a host name.
- \*2. You can use the following single-byte characters: "A to Z", "a to z", "0 to 9", "-" (hyphen), "." (period), and "\_" (underscore).
- \*3. If you specify 0, TCP port number 21 is used.
- \*4. You can use the following single-byte characters: "A to Z", "a to z", "0 to 9", "-" (hyphen), "." (period), and "\_" (underscore). You can also use "\" (backslash) and "@" for a CPU Unit with unit version 1.16 or later.
- \*5. The NULL character at the end must be counted in the number of bytes.
- \*6. For CPU Units with unit version 1.08, specify a text string of one character or more. An error will occur if you specify a text string that contains only the final NULL character.

The data type of *SortOrder* is enumerated type `_eFILE_SORT_ORDER`. The meanings of the enumerators are as follows:

Enumerator	Meaning
<code>_NAME_ASC</code>	Ascending order of names
<code>_NAME_DESC</code>	Descending order of names
<code>_DATE_ASC</code>	Ascending order of last modified dates
<code>_DATE_DESC</code>	Descending order of last modified dates

The file details is stored in `FileList[]`. The number of files for which information was obtained is stored in *StoredNum*.

The data type of `FileList[]` is structure `_sFTP_FILE_DETAIL`. The specifications are as follows:

Name	Meaning	Description	Data type	Valid range	Unit	Default
FileList	File details	Details for the obtained file list	_sFTP_FILE_DETAIL	---	---	---
Name	File or folder name	File or folder name	STRING	256 bytes max. (255 single-byte alphanumeric characters plus the final NULL character)	---	---
ModifiedDate	Last modified date	The last modified data of the file or folder	DATE_AND_TIME	---	Bytes	
Size	File size	The file size <sup>*1</sup>	ULINT			
ReadOnly	Read-only attribute	The read-only attribute of the file or folder TRUE: Read only FALSE: Not read only	BOOL	Depends on data type.	---	
Folder	Folder	TRUE: Folder FALSE: Not a folder	BOOL			

\*1. The file size is 0 for a folder.

## Specifying Options for FTP Server Processing

The operation specified with *ExecOption* is performed to obtain the file list from the FTP server. The option settings are the same as those for the *FTPGetFile* instruction. Refer to the instruction, *FTPGetFile* on page 2-1302, for details.

However, the option that is valid for this instruction is *ExecOption.PassiveMode* alone.

## Specifying Retrying Connection Processing with the FTP Server

Connection processing with the FTP server times out and ends when the specified timeout time *RetryCfg.TimeOut* is exceeded before a connection is successfully established. If the FTP server rejects the connection, processing ends before reaching the timeout time.

After failing to connect, connection processing is retried after the specified retry interval *RetryInterval*. If a connection with the FTP server is not established within the number of retries specified with *RetryCfg.RetryNum*, an instruction execution error occurs.

If, after a successful connection to the FTP server, a problem occurs on the network that interrupts file transfer for longer than the time specified with *RetryCfg.TimeOut*, a timeout occurs and retry processing is not performed.

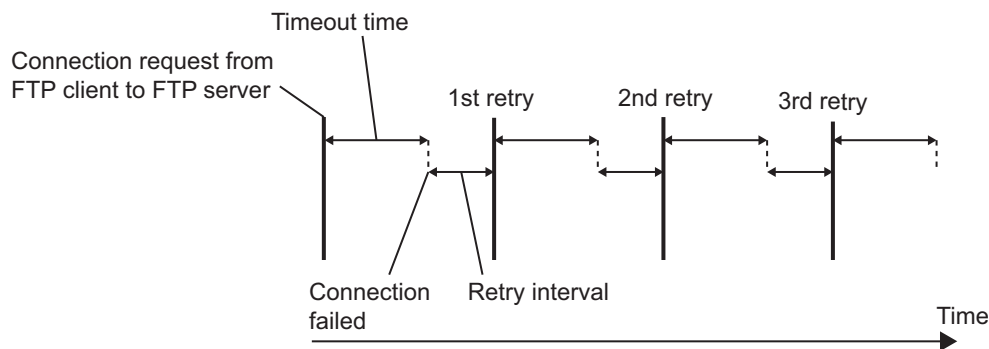
The data type of *RetryCfg* is structure *\_sFTP\_RETRY\_CFG*. The specifications are as follows:

Name	Meaning	Description	Data type	Valid range	Unit	Default
RetryCfg	Execution re-try settings	Instruction execution re-try settings	_sFTP_RETRY_CFG	---	---	---
TimeOut	Timeout time	Timeout time for a connection to the FTP server	UINT	0 to 60 <sup>*1</sup>	Seconds	20
RetryNum	Number of retries	The number of retries when connection fails	UINT	0 to 3	Times	0
RetryInterval	Retry interval	The interval for retrying when connection fails	UINT	0 to 65535 <sup>*2</sup>	Seconds	1

\*1. If 0 is set, the timeout time is 20 s.

\*2. If 0 is set, the retry interval is 1 s.

The following figure shows the relation between the timeout time, number of retries, and retry interval when an FTP client performs connection processing to a FTP server.

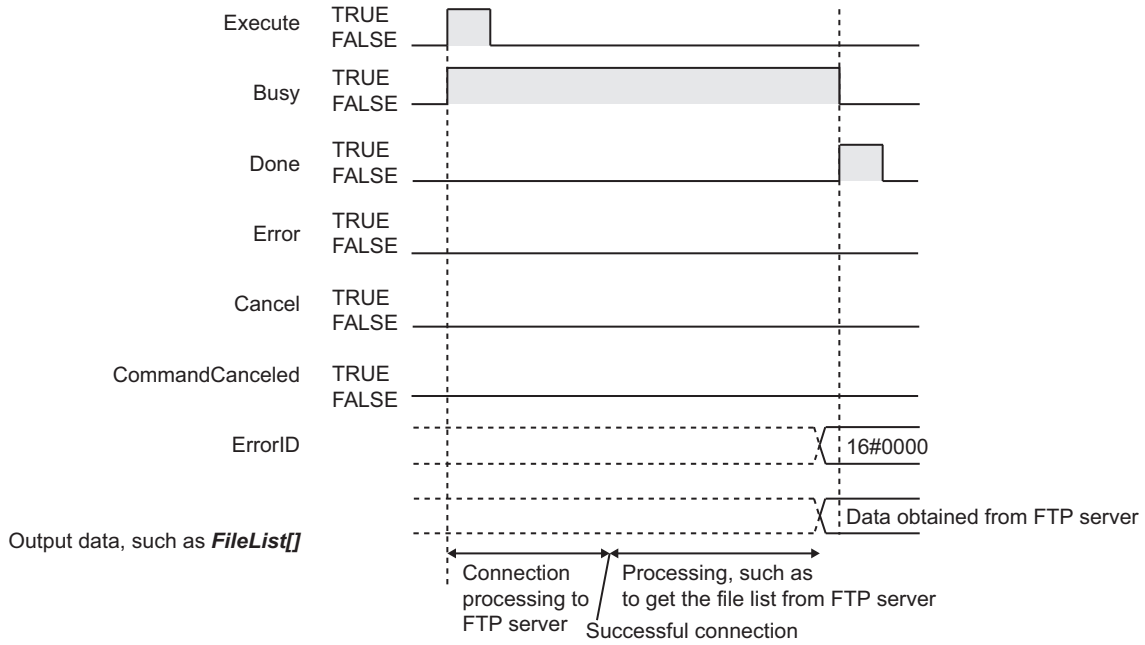


### ● Successfully Connecting to the FTP Server

When connection processing to the FTP server is successfully completed and the file list is obtained from the FTP server, the following processing is performed.

- A value of 16#0000 is stored in *ErrorID*.
- The obtained data is stored in the output data, such as *FileList[]*.
- The value of *Done* is changed to TRUE.

The following timing chart is an example for successful connection processing to the FTP server.

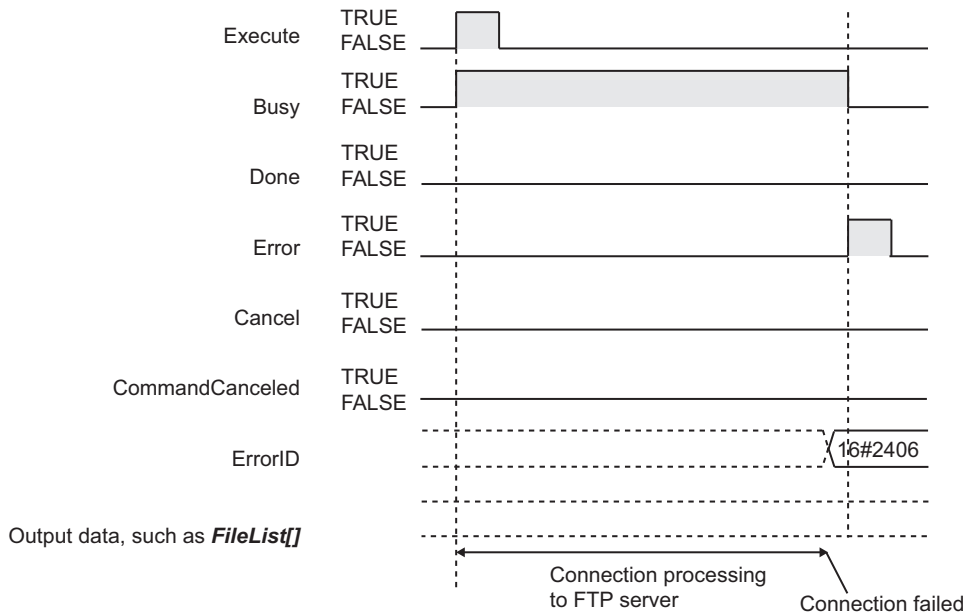


● **Failing to Connect to the FTP Server**

The following processing is performed when connection processing to the FTP server fails.

- The error code is stored in *ErrorID*.
- The value of *Error* is changed to TRUE.

The following timing chart is an example for when connection processing to the FTP server fails.



**Canceling Instruction Execution**

If *Cancel* changes to TRUE during instruction execution, processing with the FTP server is forced to end.

You can use it to end processing when obtaining the file list or connection processing to the FTP server is taking too much time.

### ● When *Cancel* Changes to TRUE during Processing with the FTP Server

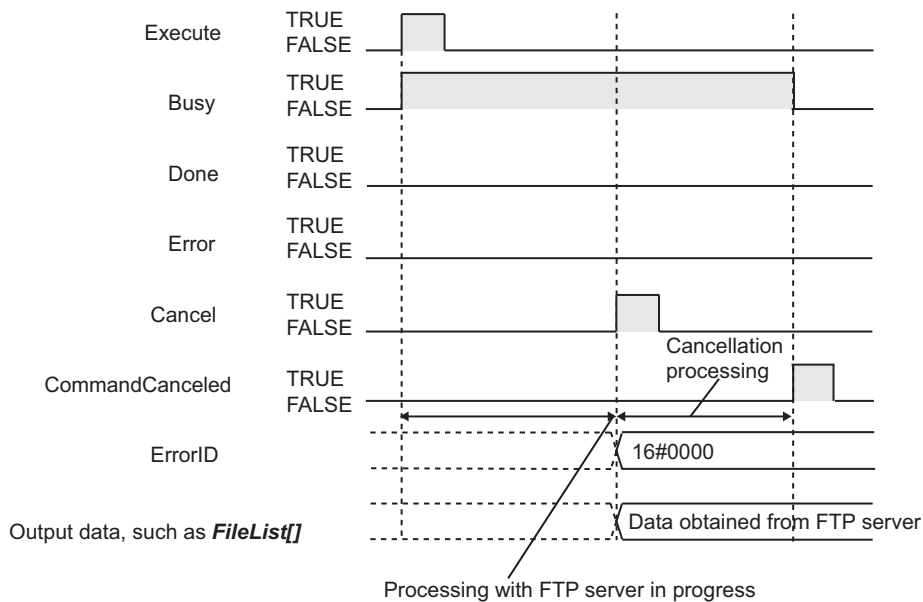
The following occurs if *Cancel* changes to TRUE while the FTPGetFileList instruction is obtaining a file list from the FTP server.

Any file details that were obtained from the FTP server is stored in *FileList[]*.

The number of files for which file details were correctly obtained is stored in *StoredNum*.

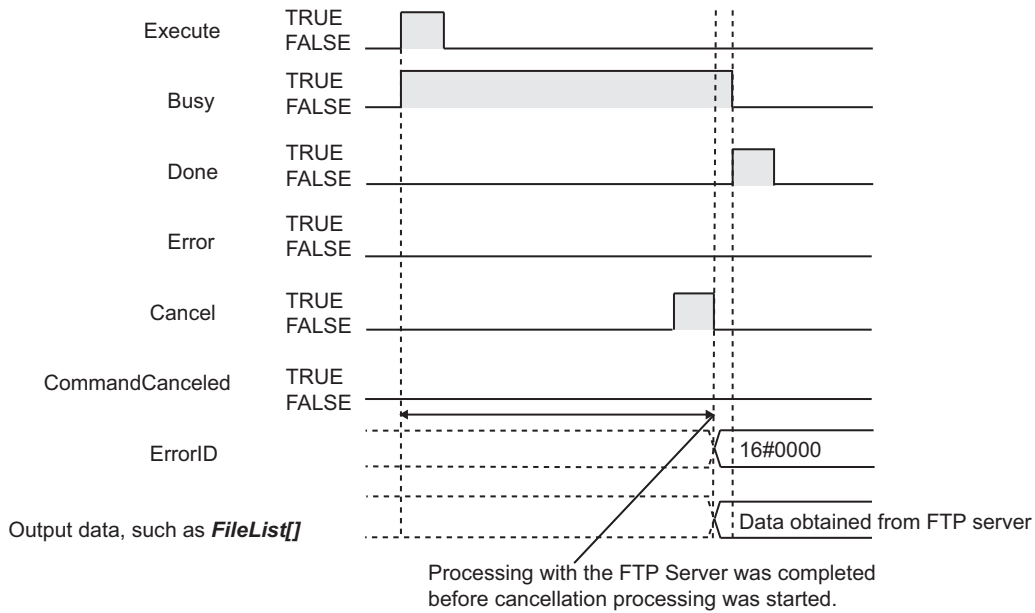
The value of *Done* does not change to TRUE.

The value of *CommandCanceled* changes to TRUE when cancellation is completed. Use this to confirm normal completion of cancellation.



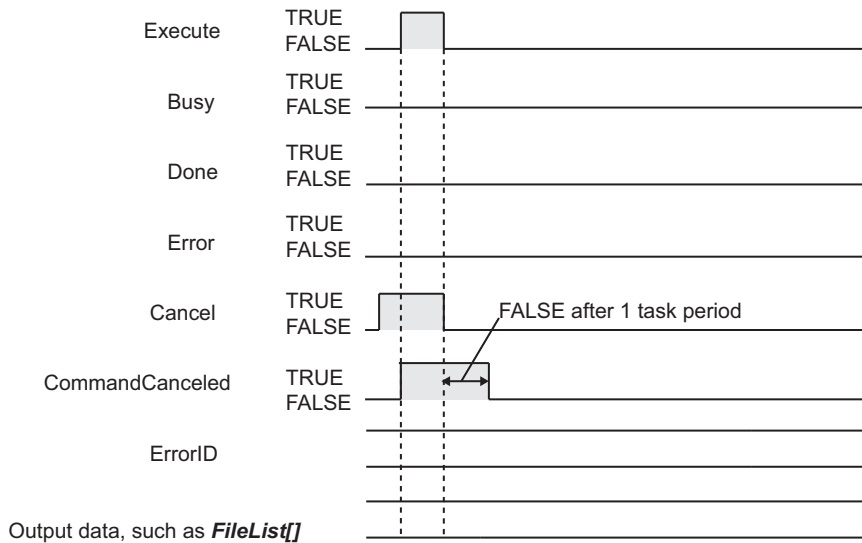
### ● When Processing with the FTP Server Is Completed Before Cancellation Processing Is Started

Even if *Cancel* is changed to TRUE, *Done* changes to TRUE to indicate normal completion if processing with the FTP server is completed before cancellation processing is started. The value of *CommandCanceled* does not change to TRUE.



● **When both *Cancel* and *Execute* Are TRUE**

If both *Cancel* and *Execute* are TRUE, cancellation is given priority and processing is not performed with the FTP server. *CommandCanceled* changes to TRUE.



**Related System-defined Variables**

Name	Meaning	Data type	Description
<code>_EIP_EtnOnlineSta</code> <sup>*1</sup>	Online	BOOL	This variable indicates when built-in EtherNet/IP port communications can be used. TRUE: Communications are possible. FALSE: Communications are not possible.
<code>_EIP1_EtnOnlineSta</code> <sup>*2</sup>			
<code>_EIP2_EtnOnlineSta</code> <sup>*3</sup>			

- \*1. Use this variable name for an NJ-series CPU Unit.
- \*2. Use this variable name for port 1 on an NX-series CPU Unit.  
You can specify `_EIP_EtnOnlineSta` instead of `_EIP1_EtnOnlineSta`.
- \*3. Use this variable name for port 2 on an NX-series CPU Unit.



## Precautions for Correct Use

- You can use this instruction through a built-in EtherNet/IP port on an NJ/NX-series CPU Unit, or through a port on an NX-series EtherNet/IP Unit connected to an NX502 CPU Unit.
- Execution of this instruction is continued until processing is completed even if the value of *Execute* changes to FALSE or the execution time exceeds the task period. The value of *Done* changes to TRUE when processing is completed. Use this to confirm normal completion of the processing.
- Refer to *Using this Section* on page 2-3 for a timing chart for *Execute*, *Done*, *Busy*, and *Error*.
- If there are no files or subdirectories in the directory specified by the *SvrDirName* input variable, *Done* changes to TRUE to indicate a normal end. If 0 is stored in *StoredNum*, nothing is stored in *FileList[]*.
- If the number of array elements in *FileList[]* is less than the number of files specified with the *GetFileNum* input variable, only the file information that will fit in *FileList[]* is stored and the file information that does not fit is not stored. In this case, *Error* does not change to TRUE.
- If a file name exceeds 255 characters, the first 255 characters are stored in *Name* in *FileList[]*. In this case, *Error* does not change to TRUE.
- It may be impossible to obtain some or all of the specified file details depending on FTP server specifications. The members of *FileList[]* take the following values for files for which details are not obtained. In this case, the value of *Error* is FALSE.

Member	Value
ModifiedDate	DT#1970-01-01-00:00:00.000000000
Size	0
ReadOnly	FALSE
Folder	FALSE

- You can execute a maximum of 3 of the following instructions at the same time: FTPGetFileList, FTPGetFile, FTPPutFile, FTPRemoveFile, and FTPRemoveDir.
- An error will occur in the following cases. *Error* will change to TRUE.
  - The value of any input parameter is outside of the valid range.
  - ".." is specified for a directory level in *SvrDirName*.
  - An incorrect path such as "/" is specified for *SvrDirName*.
  - The directory specified by *SvrDirName* does not exist on the FTP server.
  - The FTP server specified by *ConnectSvr* does not exist on the network or the specified FTP server is not operating.
  - More than 3 of the following instructions were executed at the same time: FTPGetFileList, FTPGetFile, FTPPutFile, FTPRemoveFile, and FTPRemoveDir.
  - File transfer processing was interrupted during FTP server connection processing by a problem on the network.
- For this instruction, expansion error code *ErrorIDEx* gives the FTP response code that was returned by the FTP server. The following table lists typical values of *ErrorIDEx* and describes the meanings of the errors and the corrections. For details, refer to FTP server specifications. An expansion error code is output to *ErrorIDEx* when the value of error code *ErrorID* is WORD#16#2407.

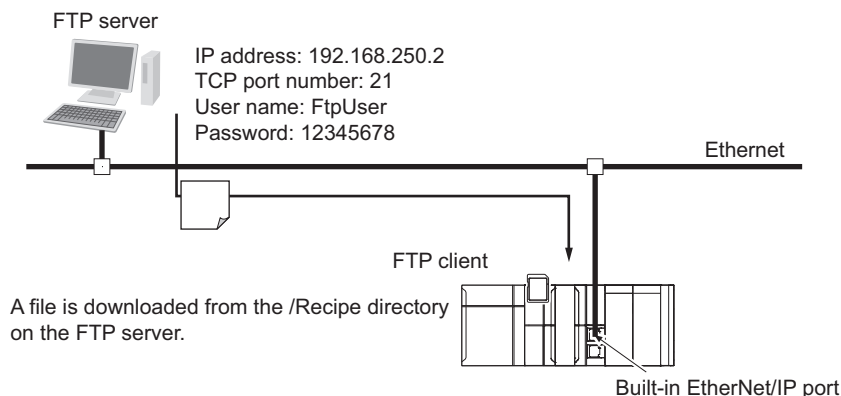
Value of <i>ErrorIDEx</i>	Meaning	Correction
16#000001A9	It was not possible to establish a data connection.	If you use FTP communications with an FTP server over the Internet, make sure that the FTP open mode is not set to active.

Value of <i>ErrorIDEx</i>	Meaning	Correction
16#000001AA	The connection was closed. Data transfer was aborted.	Check the connection to the FTP server. Make sure that the FTP server is operating.
16#000001C2	It was not possible to perform the requested file operation. Using the file was not possible, e.g., it is already open.	Make sure that the file is not open for any other application.
16#00000212	User login was not possible.	Check the FTP user name and password.
16#00000214	An account to save files is required.	Check the FTP user access rights.
16#00000226	Execution of the requested file operation was not possible because using the file was not possible, e.g., accessing it was not possible because it was not found.	Make sure that a file with the specified name exists in the directory on the FTP server. Check the access rights of the specified file.
16#00000229	Execution was not possible because the file name was not correct.	Check the access rights of the specified directory.

## Sample Programming

The following programming downloads a file from the '/Recipe' directory on the FTP server and stores it in the root directory of an SD Memory Card.

The file to download is the last file in the '/Recipe' directory on the FTP server when the files are sorted in ascending order of names.



The Controller is connected to the FTP server through an EtherNet/IP network. The settings of the parameters to connect to the FTP server are given in the following table.

Parameter	Value
IP address	192.168.250.2
TCP port number	21
User name	FtpUser
Password	12345678

The following procedure is used.

- 1 The FTPGetFileList instruction is used to get a file list from the FTP server. The following table gives the FTP server directory name, number of files to list, sort order, and variable to store file details.

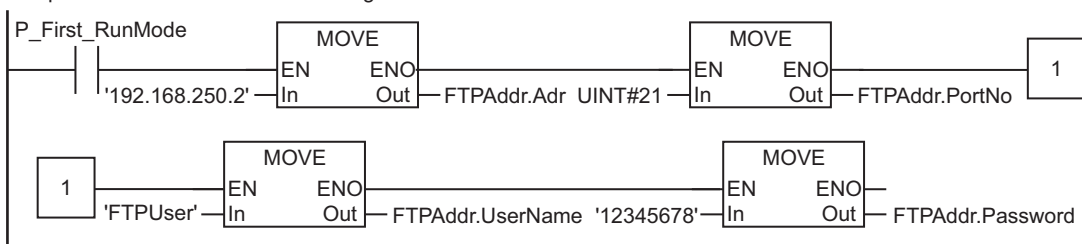
Item	Specification
FTP server directory name	'/Recipe'
Number of files to list	1000
Sort order	Ascending order of names
Variable to store file details	FTPFileList[]

- 2** The FTPGetFile instruction is used to download the last file from the file list obtained in step 1 when the list is in ascending order of names.  
The file is stored in the root directory on the SD Memory Card.
- 3** Normal end processing is executed if all processing ends normally.  
Processing for an error end is performed if an error occurs.

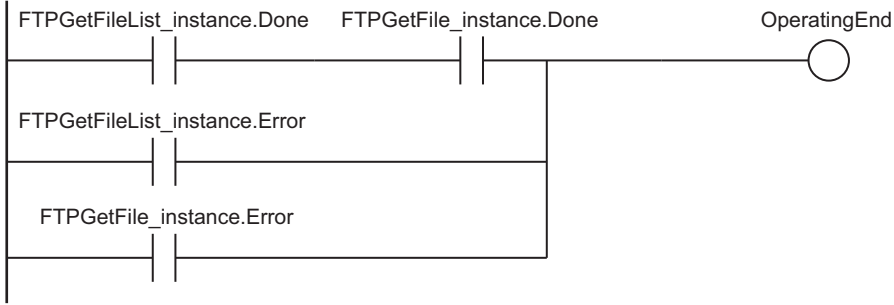
**LD**

Internal Variables	Variable	Data type	Initial value	Comment
	FTPGetFileList_instance	FTPGetFileList		Instance of FTPGetFileList instruction
	FTPGetFile_instance	FTPGetFile		Instance of FTPGetFile instruction
	FTPAddr	_sFTP_CONNECT_SVR	(Adr := ", PortNo := 0, UserName := ", Password := ")	Connected FTP server settings
	FTPFileList	ARRAY[0..999] OF _sFTP_FILE_DETAIL	[1000((Name := ", ModifiedDate := DT#1970-01-01-00:00:00, Size := 0, ReadOnly := False, Folder := False))]	File details
	GetResult	ARRAY[0..0] OF _sFTP_FILE_RESULT	[(Name := ", TxError := False, RemoveError := False, Reserved := [4(16#0)])]	Downloaded file results
	FTPStoredNum	UINT	0	Number of files obtained in file list
	LastFileIndex	UINT	0	Index of last file when list is in ascending order of names
	RS_instance	RS		Instance of RS instruction
	OperatingEnd	BOOL	FALSE	Processing completed
	Trigger	BOOL	FALSE	Execution condition
	Operating	BOOL	FALSE	Processing

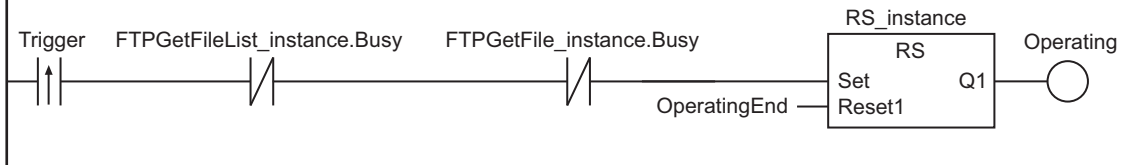
Prepare connected FTP server settings.



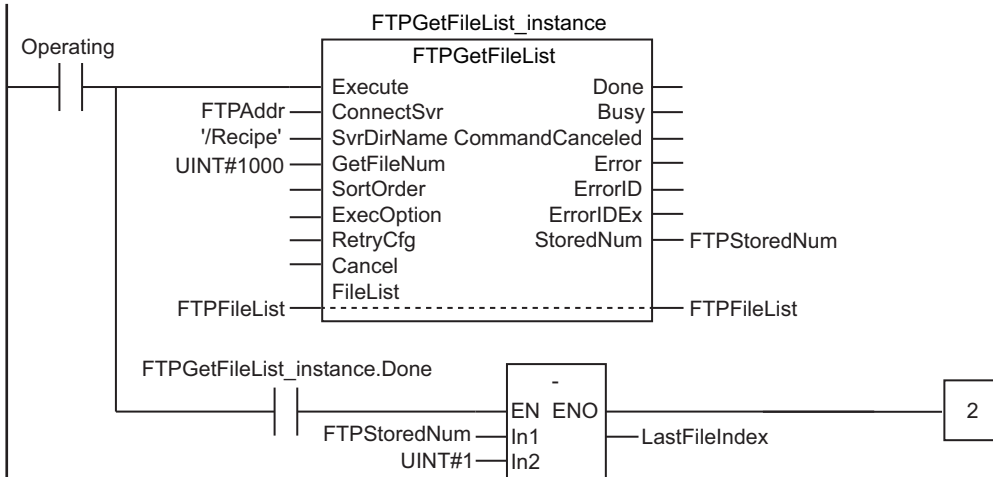
Determine if instruction execution is completed.



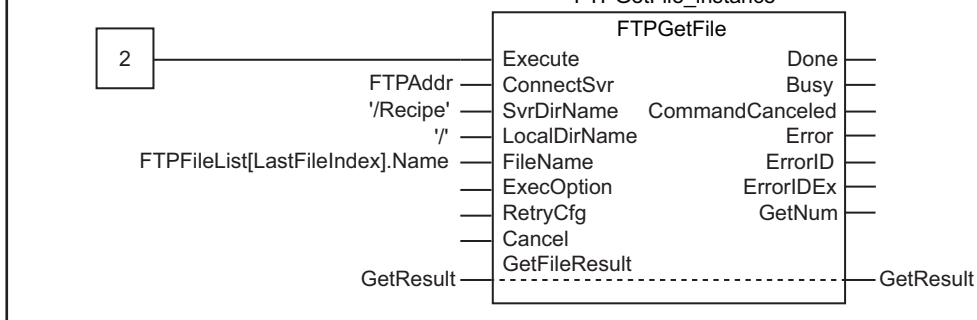
Accept trigger.



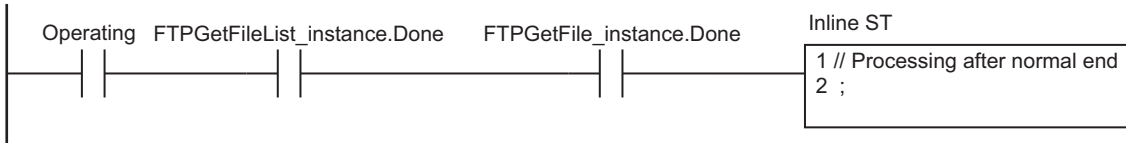
Execute FTPGetFileList instruction.

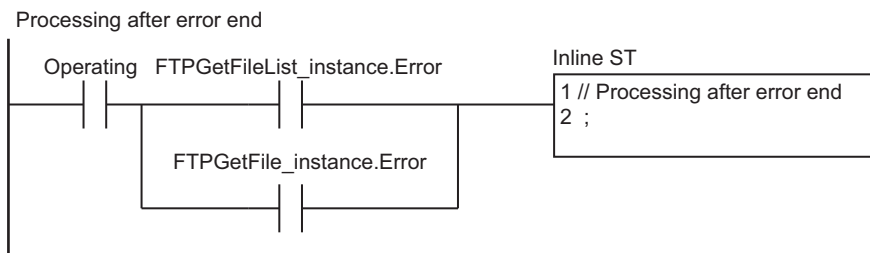


Execute FTPGetFile instruction.



Processing after normal end





## ST

Internal Variables	Variable	Data type	Initial value	Comment
	R_TRIG_instance	R_TRIG		Instance of R_TRIG instruction
	UP_Q	BOOL	FALSE	Trigger output
	FTPGetFile_instance	FTPGetFile		Instance of FTPGetFile instruction
	FTPGetFileList_instance	FTPGetFileList		Instance of FTPGetFileList instruction
	FTPFileList	ARRAY[0..999] OF _sFTP_FILE_DE TAIL	[1000((Name := ", Modified-Date := DT#1970-01-01-00:00:00, Size := 0, ReadOnly := False, Folder := False))]	File details
	FTPStoredNum	UINT	0	Number of files obtained in file list
	DoFTPTrigger	BOOL	FALSE	Execution condition for FTPGetFileList and FTPGetFile
	FTPAddr	_sFTP_CONNECT_SVR	(Adr := ", PortNo := 0, UserName := ", Password := ")	Connected FTP server settings
	GetResult	ARRAY[0..0] OF _sFTP_FILE_RESULT	[(Name := ", TxError := False, RemoveError := False, Reserved := [4(16#0)])]	Downloaded file results
	Stage	UINT	0	Instruction execution stage
	Trigger	BOOL	FALSE	Execution condition

```

// Prepare connected FTP server settings.
IF P_First_RunMode THEN
  FTPAddr.Adr := '192.168.250.2'; // Address
  FTPAddr.PortNo := UINT#21; // Port number
  FTPAddr.UserName := 'FtpUser'; // User name
  FTPAddr.Password := '12345678'; // Password
END_IF;

```

```

// Accept trigger.

```

```

R_TRIG_instance(Trigger, UP_Q);
IF ( (UP_Q = TRUE) AND (FTPGetFileList_instance.Busy = FALSE) AND
    (FTPGetFile_instance.Busy = FALSE) ) THEN
    DoFTPTrigger := TRUE;
    Stage := INT#1;
    FTPGetFileList_instance( // Initialize instance.
        Execute := FALSE,
        ConnectSvr := FTPAddr,
        SvrDirName := '/Recipe',
        GetFileNum := UINT#1000,
        FileList := FTPFileList,
        StoredNum => FTPStoredNum) ;
    FTPGetFile_instance( // Initialize instance.
        Execute := FALSE,
        ConnectSvr := FTPAddr,
        SvrDirName := '/Recipe',
        LocalDirName := '/',
        FileName := '',
        GetFileResult := GetResult) ;
END_IF;
IF (DoFTPTrigger = TRUE) THEN
    CASE Stage OF
        1 : // Execute FTPGetFileList instruction
            FTPGetFileList_instance(
                Execute := TRUE, // Execution
                ConnectSvr := FTPAddr, // Connected FTP server
                SvrDirName := '/Recipe', // FTP server directory name
                GetFileNum := UINT#1000, // Number of files to list
                FileList := FTPFileList, // File details
                StoredNum => FTPStoredNum); // Number of files obtained in list
            IF (FTPGetFileList_instance.Done = TRUE) THEN
                Stage := INT#2; // To next stage
            ELSIF (FTPGetFileList_instance.Error = TRUE) THEN
                Stage := INT#10; // Error end
            END_IF;
        2 : // Execute FTPGetFile instruction.
            FTPGetFile_instance(
                Execute := TRUE, // Execution
                ConnectSvr := FTPAddr, // Connected FTP server
                SvrDirName := '/Recipe', // FTP server directory name
                LocalDirName := '/', // Local directoryname
                FileName := FTPFileList[FTPStoredNum - 1].Name, // File name
                GetFileResult := GetResult); // Downloaded filerresults
            IF (FTPGetFile_instance.Done = TRUE) THEN
                Stage := INT#0; // Normal end
            ELSIF (FTPGetFile_instance.Error = TRUE) THEN
                Stage := INT#20; // Error end
    END_CASE;
END_IF;

```

```
        END_IF;
    0 : // Processing after normal end
        DoFTPTrigger := FALSE;
        Trigger := FALSE;
    ELSE // Processing after error end
        DoFTPTrigger := FALSE;
        Trigger := FALSE;
    END_CASE;
END_IF;
```

# FTPGetFile

The FTPGetFile instruction downloads a file from the FTP server.

Instruction	Name	FB/ FUN	Graphic expression	ST expression
FTPGetFile	Get File from FTP Server	FB	<p>FTPGetFile_instance FTPGetFile</p> <ul style="list-style-type: none"> <li>Execute</li> <li>ConnectSvr</li> <li>SvrDirName</li> <li>LocalDirName</li> <li>FileName</li> <li>ExecOption</li> <li>RetryCfg</li> <li>Cancel</li> <li>GetFileResult</li> <li>Done</li> <li>Busy</li> <li>CommandCanceled</li> <li>Error</li> <li>ErrorID</li> <li>ErrorIDEx</li> <li>GetNum</li> </ul>	<pre>FTPGetFile_instance(Execute, ConnectSvr, SvrDirName, Local- DirName, FileName, ExecOption, RetryCfg, Cancel, GetFileResult, Done, Busy, CommandCanceled, Error, ErrorID, ErrorIDEx, Get- Num);</pre>



## Version Information

A CPU Unit with unit version 1.08 or later and Sysmac Studio version 1.09 or higher are required to use this instruction.



Variables							
	Meaning	I/O	Description	Valid range	Unit	Default	
ConnectSvr	Connected FTP server settings	Input	Setting parameters for the connected FTP server	---	---	*1	
SvrDirName	FTP server directory name		Name of FTP server directory from which to download a file	256 bytes max. (255 single-byte alphanumeric characters plus the final NULL character) <sup>*2*3</sup>		"*4	
LocalDir-Name	Local directory name		Name of the directory in which to store the file downloaded from the FTP server	256 bytes max. (255 single-byte alphanumeric characters plus the final NULL character) <sup>*3</sup>		'/	
FileName	File name		Name of file to download <sup>*5</sup>	256 bytes max. (255 single-byte alphanumeric characters plus the final NULL character) <sup>*3*6</sup>		*1	
ExecOption	FTP execution options		Options for FTP execution	---		---	
RetryCfg	Execution retry settings		Instruction execution retry settings	---		---	
Cancel	Cancel	Output	TRUE: Instruction execution is canceled. FALSE: Instruction execution is not canceled.	Depends on data type.	---	FALSE	
GetFile Result[] array <sup>*7*8*9</sup>	Downloaded file results		In-out	Downloaded file results	---	---	*1
Command-Canceled	Cancel completed		TRUE: Canceling completed. FALSE: Canceling not completed.	Depends on data type.	---	---	
GetNum	Number of files to download		Number of files to download	---			

\*1. If you omit an input parameter, the default value is not applied. A building error will occur.

\*2. You cannot use the following characters in FTP server directory names:

\* ? < > | "

\*3. The use of single-byte spaces is not recommended because it may change the behavior of some FTP servers. Single-byte spaces are treated as two characters.

\*4. The default is the home directory when you log onto the FTP server.

\*5. You can use wildcards in file names.

\*6. You cannot use the following character in file names:

|

\*7. The array can have a maximum of 1,000 elements.

\*8. This is a one-dimensional array. If an array with more than one dimension is specified, a building error will occur.

- \*9. The first array element number is 0. If a number other than 0 is specified for the first array element, a building error will occur.

	Boo lean	Bit strings				Integers							Real num- bers		Times, durations, dates, and text strings					
	BOOL	BYTE	WORD	DWORD	LWORD	USINT	UINT	UDINT	ULINT	SINT	INT	DINT	LINT	REAL	LREAL	TIME	DATE	TOD	DT	STRING
ConnectSvr	Refer to <i>Function</i> on page 2-1304 for details on the structure <code>_sFTP_CONNECT_SVR</code> .																			
SvrDirName																				OK
LocalDir- Name																				OK
FileName																				OK
ExecOption	Refer to <i>Specifying Options for FTP Server Processing</i> on page 2-1306 for details on the structure <code>_sFTP_EXEC_OPTION</code> .																			
RetryCfg	Refer to <i>Specifying Retrying Connection Processing with the FTP Server</i> on page 2-1308 for details on the structure <code>_sFTP_RETRY_CFG</code> .																			
Cancel	OK																			
GetFileRe- sult[] array	Refer to <i>Function</i> on page 2-1304 for details on the structure <code>_sFTP_FILE_RESULT</code> .																			
Command- Canceled	OK																			
GetNum							OK													

### Function

The FTPGetFile instruction downloads the file specified with *FileName* from the specified directory *SvrDirName* on the connected FTP server *ConnectSvr* to the directory specified with *LocalDirName* in the SD Memory Card.

If the specified directory *LocalDirName* does not exist in the SD Memory Card, a new directory is created and the specified file is downloaded.

You can use wildcards in *FileName*. This allows you to download more than one file at one time.

The results of downloading is stored in `GetFileResult[]` for each file.

Store the number of files to download in *GetNum*.

If you use a wildcard in *FileName*, store the number of files with names that match the wildcard.

If the actual number of transferred files is different, the value of `GetFileResult[]`.*TxError* changes to TRUE.

If an error occurs when deleting the source file after the download, the value of `GetFileResult[]`.*RemoveError* changes to TRUE.

The data type of *ConnectSvr* is structure `_sFTP_CONNECT_SVR`. The specifications are as follows:

Name	Meaning	Description	Data type	Valid range	Unit	Default
ConnectSvr	Connected FTP server settings	Setting parameters for the connected FTP server	_sFTP_CONNECT_SVR	---	---	---
Adr	Address	IP address or host name*1	STRING	1 to 200 bytes*2	---	---
PortNo	Port number	TCP port number of FTP server control connection	UINT	0 to 65535*3		
UserName	User name	User name on FTP server	STRING	33 bytes max.*4*5*6		
Password	Password	FTP server password	STRING	33 bytes max.*4*5*6		

- \*1. A separate DNS or Hosts setting is required to specify a host name.
- \*2. You can use the following single-byte characters: "A to Z", "a to z", "0 to 9", "-" (hyphen), "." (period), and "\_" (underscore).
- \*3. If you specify 0, TCP port number 21 is used.
- \*4. You can use the following single-byte characters: "A to Z", "a to z", "0 to 9", "-" (hyphen), "." (period), and "\_" (underscore). You can also use "\" (backslash) and "@" for a CPU Unit with unit version 1.16 or later.
- \*5. The NULL character at the end must be counted in the number of bytes.
- \*6. For CPU Units with unit version 1.08, specify a text string of one character or more. An error will occur if you specify a text string that contains only the final NULL character.

The data type of GetFileResult[] is structure \_sFTP\_FILE\_RESULT. The specifications are as follows:

Name	Meaning	Description	Data type	Valid range	Unit	Default
GetFileResult	Downloaded file results	Transferred file results	_sFTP_FILE_RESULT	---	---	---
Name	File name*1	Transferred file name	STRING	256 bytes max. (255 single-byte alphanumeric characters plus the final NULL character)	---	---
TxError	Transfer error	TRUE: Transfer ended in an error. FALSE: Transfer ended normally.	BOOL	Depends on data type.		
RemoveError	Deletion error	TRUE: Deletion ended in an error. FALSE: Deletion ended normally.	BOOL			
Reserved	Reserved	Reserved by the system.	ARRAY[0..3] Of Byte	---		

- \*1. The file name extension is included.

## Using Wildcards to Specify File Names

You can use wildcards to specify the names of the files to download in *FileName*.

As wildcards, you can specify "\*" and "?".

"\*" represents one or more characters. "?" represents only one character.

Examples of using wildcard specifications are given below.

Assume that the FTP server directory has the following file structure.

```

|---DataFiles (specified directory)
|   | LogA01.log
|   | LogA02.txt
|   | LogB.log
|   | LogC.txt
|   | ControlDataA1.csv
|   | ControlDataA10.csv
|   | ControlDataA100.csv
|   | ControlDataB10.csv
|   | ControlDataC100.csv
|---ControlSubDataFiles (subdirectory)
|   | SubData_A001.txt
|   | SubData_A002.txt

```

As shown in the following table, the way that the wildcards are used determines the files that are specified.

Wildcard specification	Specified files
Log*.log	LogA01.log, LogB.log
Log?.log	LogB.log
Log?.*	LogB.log, LogC.txt
*Data*	ControlDataA1.csv, ControlDataA10.csv, ControlDataA100.csv, ControlDataB10.csv, ControlDataC100.csv, (ControlSubDataFiles)* <sup>1</sup>
*	All files except for those in the subdirectory
*.*	All files except for those in the subdirectory
??	No files
????.???	LogB.log, LogC.txt

\*1. Subdirectory files will also be included for some FTP server specifications.

If you specify wildcards, you can download up to 1,000 files.

If *GetFileResult[]*.TxError or *GetFileResult[]*.RemoveError is TRUE as the result of downloading files, *Error* changes to TRUE, the corresponding error code for the first error is stored in *ErrorID* and the error response from the FTP server is stored in *ErrorIDEx*.

## Specifying Options for FTP Server Processing

The operation specified with *ExecOption* is performed to download files from the FTP server.

The data type of *ExecOption* is structure `_sFTP_EXEC_OPTION`. The specifications are as follows:

Name	Meaning	Description	Data type	Valid range	Unit	Default
ExecOption	FTP execution options	Options for FTP execution	_sFTP_EXEC_OPTION	---	---	---
Passive-Mode	Passive mode specification	TRUE: Passive mode FALSE: Active mode	BOOL	Depends on data type.	---	FALSE
ASCII Mode	ASCII mode specification	TRUE: ASCII mode FALSE: Binary mode	BOOL			
FileRemove	File deletion after transfer specification *1	TRUE: Delete files after transfer. FALSE: Do not delete files after transfer.	BOOL			
OverWrite	Overwrite specification	TRUE: Overwrite files at transfer destination. FALSE: Do not overwrite files at transfer destination.	BOOL			
Reserved	Reserved	Reserved by the system.	ARRAY[0..7] Of Byte	---		0

\*1. The transfer source files are not deleted when the transfer fails.

### ● PassiveMode (Passive Mode Specification)

The passive mode specification tells whether to use passive mode for the data connection request to the FTP server.

If passive mode is not specified, active mode is used for the data connection request to the FTP server.

Refer to the *NJ/NX-series CPU Unit Built-in EtherNet/IP Port User's Manual (Cat. No. W506)* for details on connection request methods.

The values and their meanings for *PassiveMode* are given in the following table.

Set value	Meaning
TRUE	The data connection request with the FTP server is performed in passive mode. The data connection request is performed from the FTP client.
FALSE	The data connection request with the FTP server is performed in active mode. The data connection request is performed from the FTP server.

### ● ASCII Mode (ASCII Mode Specification)

The ASCII mode specification tells whether ASCII mode is used as the transfer mode from the transfer source system to the transfer destination system.

If ASCII mode is not specified, binary mode is used as the transfer mode from the transfer source system to the transfer destination system.

The values and their meanings for *ASCII Mode* are given in the following table.

Set value	Meaning
TRUE	ASCII mode is used as the transfer mode from the transfer source system to the transfer destination system. Text line feed codes are converted from those for the transfer source system to those for the transfer destination system.

Set value	Meaning
FALSE	Binary mode is used as the transfer mode from the transfer source system to the transfer destination system. Text line feed codes are transferred as is from the transfer source system.

### ● FileRemove (File Deletion after Transfer Specification)

The file deletion after transfer specification tells whether to delete the transfer source files after they are transferred to the transfer destination.

The values and their meanings for *FileRemove* are given in the following table.

Set value	Meaning
TRUE	The transfer source files are deleted.
FALSE	The transfer source files are not deleted.

### ● OverWrite (Overwrite Specification)

The overwrite specification tells whether to overwrite files with the same name at the transfer destination when files are downloaded.

If overwriting is not specified, files with the same name as those at the transfer destination are not transferred.

File names are not case sensitive.

The values and their meanings for *OverWrite* are given in the following table.

Set value	Meaning
TRUE	The transfer destination files are overwritten.
FALSE	The transfer destination files are not overwritten. The files are not transferred to the transfer destination.

## Specifying Retrying Connection Processing with the FTP Server

You can specify retrying connection processing with the FTP server.

The operation for the retry settings is the same as that for the FTPGetFileList instruction. Refer to *Specifying Retrying Connection Processing with the FTP Server* on page 2-1290 for the FTPGetFileList instruction.

## Canceling Instruction Execution

You can cancel execution of the FTPGetFile instruction after execution has started.

The results of downloading files from the FTP server up to the point where it is canceled are stored in *GetNum* and *GetFileResult[]*.

The operation for cancellation is the same as that for the FTPGetFileList instruction. Refer to *Canceling Instruction Execution* on page 2-1292 for the FTPGetFileList instruction.

## Related System-defined Variables

Name	Meaning	Data type	Description
_EIP_EtnOnlineSta *1	Online	BOOL	This variable indicates when built-in EtherNet/IP port communications can be used. TRUE: Communications are possible. FALSE: Communications are not possible.
_EIP1_EtnOnlineSta *2			
_EIP2_EtnOnlineSta *3			
_Card1Ready	SD Memory Card Ready Flag	BOOL	This variable indicates whether the SD Memory Card is recognized and usable. TRUE: Can be used. FALSE: Cannot be used.

\*1. Use this variable name for an NJ-series CPU Unit.

\*2. Use this variable name for port 1 on an NX-series CPU Unit.  
You can specify `_EIP_EtnOnlineSta` instead of `_EIP1_EtnOnlineSta`.

\*3. Use this variable name for port 2 on an NX-series CPU Unit.

## Precautions for Correct Use

- You can use this instruction through a built-in EtherNet/IP port on an NJ/NX-series CPU Unit, or through a port on an NX-series EtherNet/IP Unit connected to an NX502 CPU Unit.
- Execution of this instruction is continued until processing is completed even if the value of *Execute* changes to FALSE or the execution time exceeds the task period. The value of *Done* changes to TRUE when processing is completed. Use this to confirm normal completion of the processing.
- Refer to *Using this Section* on page 2-3 for a timing chart for *Execute*, *Done*, *Busy*, and *Error*.
- If the number of downloaded file results to store exceeds the number of array elements in `GetFileResult[]`, the results that will not fit are not stored. In this case, *Error* does not change to TRUE.
- If a file name exceeds 255 characters, the first 255 characters are stored in *Name* in `GetFileResult[]`. In this case, *Error* does not change to TRUE.
- You can execute a maximum of 3 of the following instructions at the same time: `FTPGetFileList`, `FTPGetFile`, `FTPPutFile`, `FTPRemoveFile`, and `FTPRemoveDir`.
- If a wildcard is used in the file name and an error occurs for more than one file, the results of the first file for which the value of `GetFileResult[]`.*TxError* is TRUE of all the files for which results are stored in `GetFileResult[]` are stored in *ErrorID* and *ErrorIDEx*.
- File names are not case sensitive. Therefore, if the only difference between the names of the files at the transfer destination and the transfer files is in capitalization, the files are detected as having the same names. The following is performed in this case.

Value of <i>OverWrite</i>	Overwrite specification	Processing
TRUE	Overwrite	The files are overwritten.
FALSE	Do not overwrite.	The transfer destination files are not overwritten. The files are not transferred to the transfer destination.

- If the file specified by *FileName* does not exist in the specified directory on the FTP server, a transfer error occurs and the value of `GetFileResult[]`.*TxError* changes to TRUE.
- If the name specified for *FileName* is actually the name of a directory, a transfer error occurs and the value of `GetFileResult[]`.*TxError* changes to TRUE.
- If *ExecOption.FileRemove* is TRUE and the file specified with *FileName* has a read-only attribute, a deletion error occurs and `GetFileResult[]`.*RemoveError* changes to TRUE.
- An error will occur in the following cases. *Error* will change to TRUE.

- a) The value of any input parameter is outside of the valid range.
  - b) "." is specified for a directory level in *SvrDirName* or *LocalDirName*.
  - c) An incorrect path such as "/" is specified for *SvrDirName* or *LocalDirName*.
  - d) The directory specified by *SvrDirName* does not exist on the FTP server.
  - e) More than 1,000 files to download exist in the FTP server directory specified with *SvrDirName*.
  - f) The file directory specified with *FileName* does not exist in the download source directory on the FTP server.
  - g) *ExecOption.OverWrite* is FALSE and a file with the same name as the specified file name *FileName* already exists in the specified directory *SvrDirName*.
  - h) *ExecOption.FileRemove* is TRUE but a file with a name that matches *FileName* has a read-only attribute.
  - i) The FTP server specified by *ConnectSvr* does not exist on the network or the specified FTP server is not operating.
  - j) Accessing the file specified with *FileName* failed because there is no access right to the file or the file is corrupted.
  - k) More than 3 of the following instructions were executed at the same time: *FTPGetFileList*, *FTPGetFile*, *FTPPutFile*, *FTPRemoveFile*, and *FTPRemoveDir*.
  - l) The SD Memory Card is not in a usable condition.
  - m) The SD Memory Card is write protected.
  - n) There is insufficient space available on the SD Memory Card.
  - o) The maximum number of files or directories was exceeded on the SD Memory Card.
- For this instruction, expansion error code *ErrorIDEx* gives the FTP response code that was returned by the FTP server. The following table lists typical values of *ErrorIDEx* and describes the meanings of the errors and the corrections. For details, refer to FTP server specifications. An expansion error code is output to *ErrorIDEx* when the value of error code *ErrorID* is WORD#16#2407.

Value of <i>ErrorIDEx</i>	Meaning	Correction
16#000001A9	It was not possible to establish a data connection.	If you use FTP communications with an FTP server over the Internet, make sure that the FTP open mode is not set to active.
16#000001AA	The connection was closed. Data transfer was aborted.	Check the connection to the FTP server. Make sure that the FTP server is operating.
16#000001C2	It was not possible to perform the requested file operation. Using the file was not possible, e.g., it is already open.	Make sure that the file is not open for any other application.
16#00000212	User login was not possible.	Check the FTP user name and password.
16#00000214	An account to save files is required.	Check the FTP user access rights.
16#00000226	Execution of the requested file operation was not possible because using the file was not possible, e.g., accessing it was not possible because it was not found.	Make sure that a file with the specified name exists in the directory on the FTP server. Check the access rights of the specified file.
16#00000229	Execution was not possible because the file name was not correct.	Check the access rights of the specified directory.

## Sample Programming

Refer to *Sample Programming* on page 2-1296 for the *FTPGetFileList* instruction.



# FTPPutFile

The FTPPutFile instruction uploads a file to the FTP server.

Instruction	Name	FB/ FUN	Graphic expression	ST expression
FTPPutFile	Put File onto FTP Server	FB		<pre>FTPPutFile_instance(Execute, ConnectSvr, SvrDirName, Local- DirName, FileName, ExecOption, RetryCfg, Cancel, PutFileResult, Done, Busy, CommandCanceled, Error, ErrorID, ErrorIDEx, Put- Num);</pre>



## Version Information

A CPU Unit with unit version 1.08 or later and Sysmac Studio version 1.09 or higher are required to use this instruction.

## Variables

	Meaning	I/O	Description	Valid range	Unit	Default
ConnectSvr	Connected FTP server settings	Input	Setting parameters for the connected FTP server	---	---	*1
SvrDirName	FTP server directory name		Name of FTP server directory to which to upload a file	256 bytes max. (255 single-byte alphanumeric characters plus the final NULL character) <sup>*2*3</sup>		"*4
LocalDirName	Local directory name		Name of the directory in which to store the file uploaded to the FTP server	256 bytes max. (255 single-byte alphanumeric characters plus the final NULL character) <sup>*3</sup>		'/'
FileName	File name		Name of file to upload <sup>*5</sup>	(255 single-byte alphanumeric characters plus the final NULL character) <sup>*3</sup>		*1
ExecOption	FTP execution options		Options for FTP execution	---		---
RetryCfg	Execution retry settings		Instruction execution retry settings	---		---
Cancel	Cancel		TRUE: Instruction execution is canceled. FALSE: Instruction execution is not canceled.	Depends on data type.		FALSE

	Meaning	I/O	Description	Valid range	Unit	Default
PutFile Result[] array <sup>*6*7*8</sup>	Uploaded file results	In-out	Uploaded file results	---	---	*1
Command-Canceled	Cancel completed	Output	TRUE: Canceling completed. FALSE: Canceling not completed.	Depends on data type.	---	---
PutNum	Number of files to upload		Number of files to upload			

- \*1. If you omit an input parameter, the default value is not applied. A building error will occur.
- \*2. You cannot use the following characters in FTP server directory names:  
\* ? < > | "
- \*3. The use of single-byte spaces is not recommended because it may change the behavior of some FTP servers. Single-byte spaces are treated as two characters.
- \*4. The default is the home directory when you log onto the FTP server.
- \*5. You can use wildcards in file names.
- \*6. The array can have a maximum of 1,000 elements.
- \*7. This is a one-dimensional array. If an array with more than one dimension is specified, a building error will occur.
- \*8. The first array element number is 0. If a number other than 0 is specified for the first array element, a building error will occur.

	Boo lean	Bit strings				Integers								Real num- bers		Times, durations, dates, and text strings				
	BOOL	BYTE	WORD	DWORD	LWORD	USINT	UINT	UDINT	ULINT	SINT	INT	DINT	LINT	REAL	LREAL	TIME	DATE	TOD	DT	STRING
ConnectSvr	Refer to <i>Function</i> on page 2-1312 for details on the structure <code>_sFTP_CONNECT_SVR</code> .																			
SvrDirName																				OK
LocalDir-Name																				OK
FileName																				OK
ExecOption	Refer to <i>Specifying Options for FTP Server Processing</i> on page 2-1314 for details on the structure <code>_sFTP_EXEC_OPTION</code> .																			
RetryCfg	Refer to <i>Specifying Retrying Connection Processing with the FTP Server</i> on page 2-1308 for details on the structure <code>_sFTP_RETRY_CFG</code> .																			
Cancel	OK																			
PutFileResult[] array	Refer to <i>Function</i> on page 2-1312 for details on the structure <code>_sFTP_FILE_RESULT</code> .																			
Command-Canceled	OK																			
PutNum							OK													

## Function

The FTTPutFile instruction uploads the file specified with *FileName* in the specified directory *LocalDirName* in the SD Memory Card to the directory specified with *SvrDirName* on the connected FTP server *ConnectSvr*.

If the specified directory *SvrDirName* does not exist on the FTP server, a new directory is created and the specified file is uploaded.

You can use wildcards in *FileName*. This allows you to upload more than one file at one time.

The results of uploading is stored in *PutFileResult[]* for each file.

Store the number of files to upload in *PutNum*.

If you use a wildcard in *FileName*, store the number of files with names that match the wildcard.

If the actual number of transferred files is different, the value of *PutFileResult[].TxError* changes to TRUE.

If an error occurs when deleting the source file after the upload, the value of *PutFileResult[].RemoveError* changes to TRUE.

The data type of *ConnectSvr* is structure *\_sFTP\_CONNECT\_SVR*. The specifications are as follows:

Name	Meaning	Description	Data type	Valid range	Unit	Default
ConnectSvr	Connected FTP server settings	Setting parameters for the connected FTP server	_sFTP_CONNECT_SVR	---	---	---
Adr	Address	IP address or host name*1	STRING	1 to 200 bytes*2	---	---
PortNo	Port number	TCP port number of FTP server control connection	UINT	0 to 65535*3		
UserName	User name	User name on FTP server	STRING	33 bytes max.*4*5*6		
Password	Password	FTP server password	STRING	33 bytes max.*4*5*6		

\*1. A separate DNS or Hosts setting is required to specify a host name.

\*2. You can use the following single-byte characters: "A to Z", "a to z", "0 to 9", "-" (hyphen), "." (period), and "\_" (underscore).

\*3. If you specify 0, TCP port number 21 is used.

\*4. You can use the following single-byte characters: "A to Z", "a to z", "0 to 9", "-" (hyphen), "." (period), and "\_" (underscore). You can also use "\" (backslash) and "@" for a CPU Unit with unit version 1.16 or later.

\*5. The NULL character at the end must be counted in the number of bytes.

\*6. For CPU Units with unit version 1.08, specify a text string of one character or more. An error will occur if you specify a text string that contains only the final NULL character.

The data type of *PutFileResult[]* is structure *\_sFTP\_FILE\_RESULT*. The specifications are as follows:

Name	Meaning	Description	Data type	Valid range	Unit	Default
PutFileResult	Uploaded file results	Transferred file results	_sFTP_FILE_RESULT	---	---	---
Name	File name* <sup>1</sup>	Transferred file name	STRING	256 bytes max. (255 single-byte alphanumeric characters plus the final NULL character)	---	---
TxError	Transfer error	TRUE: Transfer ended in an error. FALSE: Transfer ended normally.	BOOL	Depends on data type.		
RemoveError	Deletion error	TRUE: Deletion ended in an error. FALSE: Deletion ended normally.	BOOL			
Reserved	Reserved	Reserved by the system.	ARRAY[0..3] Of Byte	---		

\*1. The file name extension is included.

## Using Wildcards to Specify File Names

You can use wildcards to specify the names of the files to upload.

Wildcard specifications are the same as those for the FTPGetFile instruction. Refer to *Using Wildcards to Specify File Names* on page 2-1305 for the FTPGetFile instruction.

## Specifying Options for FTP Server Processing

You can specify FTP server processing options when you upload files.

The option settings are the same as those for the FTPGetFile instruction. Refer to *Specifying Options for FTP Server Processing* on page 2-1306 for the FTPGetFile instruction.

## Specifying Retrying Connection Processing with the FTP Server

You can specify retrying connection processing with the FTP server.

The operation for the retry settings is the same as that for the FTPGetFileList instruction. Refer to *Specifying Retrying Connection Processing with the FTP Server* on page 2-1290 for the FTPGetFileList instruction.

## Canceling Instruction Execution

You can cancel execution of the FTTPutFile instruction after execution has started.

The results of uploading files from the FTP server up to the point where it is canceled are stored in *PutNum* and *PutFileResult[]*.

The operation for cancellation is the same as that for the FTPGetFileList instruction. Refer to *Canceling Instruction Execution* on page 2-1292 for the FTPGetFileList instruction.

## Related System-defined Variables

Name	Meaning	Data type	Description
_EIP_EtnOnlineSta *1	Online	BOOL	This variable indicates when built-in EtherNet/IP port communications can be used. TRUE: Communications are possible. FALSE: Communications are not possible.
_EIP1_EtnOnlineSta *2			
_EIP2_EtnOnlineSta *3			
_Card1Ready	SD Memory Card Ready Flag	BOOL	This variable indicates whether the SD Memory Card is recognized and usable. TRUE: Can be used. FALSE: Cannot be used.

\*1. Use this variable name for an NJ-series CPU Unit.

\*2. Use this variable name for port 1 on an NX-series CPU Unit.  
You can specify \_EIP\_EtnOnlineSta instead of \_EIP1\_EtnOnlineSta.

\*3. Use this variable name for port 2 on an NX-series CPU Unit.

## Precautions for Correct Use

- You can use this instruction through a built-in EtherNet/IP port on an NJ/NX-series CPU Unit, or through a port on an NX-series EtherNet/IP Unit connected to an NX502 CPU Unit.
- Execution of this instruction is continued until processing is completed even if the value of *Execute* changes to FALSE or the execution time exceeds the task period. The value of *Done* changes to TRUE when processing is completed. Use this to confirm normal completion of the processing.
- Refer to *Using this Section* on page 2-3 for a timing chart for *Execute*, *Done*, *Busy*, and *Error*.
- If the number of uploaded file results to store exceeds the number of array elements in *PutFileResult[]*, the results that will not fit are not stored. In this case, *Error* does not change to TRUE.
- If a file name exceeds 255 characters, the first 255 characters are stored in *Name* in *PutFileResult[]*. In this case, *Error* does not change to TRUE.
- You can execute a maximum of 3 of the following instructions at the same time: FTPGetFileList, FTPGetFile, FTPPutFile, FTPRemoveFile, and FTPRemoveDir.
- If a wildcard is used in the file name and an error occurs for more than one file, the results of the first file for which the value of *PutFileResult[]*.*TxError* is TRUE of all the files for which results are stored in *PutFileResult[]* are stored in *ErrorID* and *ErrorIDEx*.
- File names are not case sensitive. Therefore, if the only difference between the names of the files at the transfer destination and the transfer files is in capitalization, the files are detected as having the same names. The following is performed in this case.

Value of OverWrite	Overwrite specification	Processing
TRUE	Overwrite	If overwriting is not specified, the operation depends on the FTP server specifications.
FALSE	Do not overwrite.	The transfer destination files are not overwritten. The files are not transferred to the transfer destination.

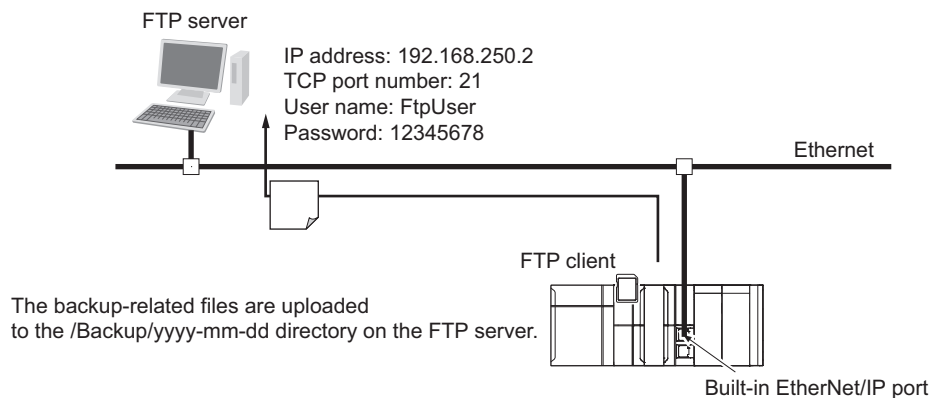
- If the file specified by *FileName* does not exist in the specified directory on the SD Memory Card, a transfer error occurs and the value of *PutFileResult[]*.*TxError* changes to TRUE.

- If the name specified for *FileName* is actually the name of a directory, a transfer error occurs and the value of *PutFileResult[].TxError* changes to TRUE.
- If *ExecOption.FileRemove* is TRUE and the file specified with *FileName* has a read-only attribute, a deletion error occurs and the value of *PutFileResult[].RemoveError* changes to TRUE.
- An error will occur in the following cases. *Error* will change to TRUE.
  - a) The value of any input parameter is outside of the valid range.
  - b) "." is specified for a directory level in *SvrDirName* or *LocalDirName*.
  - c) An incorrect path such as "/" is specified for *SvrDirName* or *LocalDirName*.
  - d) The directory specified by *SvrDirName* does not exist on the FTP server.
  - e) The directory specified by *LocalDirName* does not exist on the FTP client.
  - f) More than 1,000 files to upload exist in the directory specified with *LocalDirName*.
  - g) The file directory specified with *FileName* does not exist in the upload source directory on the SD Memory Card.
  - h) *ExecOption.OverWrite* is FALSE and a file with the same name as the specified file name *FileName* already exists in the specified directory *SvrDirName*.
  - i) *ExecOption.FileRemove* is TRUE but a file with a name that matches *FileName* has a read-only attribute.
  - j) The FTP server specified by *ConnectSvr* does not exist on the network or the specified FTP server is not operating.
  - k) Accessing the file specified with *FileName* failed because there is no access right to the file or the file is corrupted.
  - l) More than 3 of the following instructions were executed at the same time: *FTPGetFileList*, *FTPGetFile*, *FTPPutFile*, *FTPRemoveFile*, and *FTPRemoveDir*.
  - m) The SD Memory Card is not in a usable condition.
- For this instruction, expansion error code *ErrorIDEx* gives the FTP response code that was returned by the FTP server. The following table lists typical values of *ErrorIDEx* and describes the meanings of the errors and the corrections. For details, refer to FTP server specifications. An expansion error code is output to *ErrorIDEx* when the value of error code *ErrorID* is WORD#16#2407.

Value of <i>ErrorIDEx</i>	Meaning	Correction
16#000001A9	It was not possible to establish a data connection.	If you use FTP communications with an FTP server over the Internet, make sure that the FTP open mode is not set to active.
16#000001AA	The connection was closed. Data transfer was aborted.	Check the connection to the FTP server. Make sure that the FTP server is operating.
16#000001C2	It was not possible to perform the requested file operation. Using the file was not possible, e.g., it is already open.	Make sure that the file is not open for any other application.
16#00000212	User login was not possible.	Check the FTP user name and password.
16#00000214	An account to save files is required.	Check the FTP user access rights.
16#00000226	Execution of the requested file operation was not possible because using the file was not possible, e.g., accessing it was not possible because it was not found.	Make sure that a file with the specified name exists in the directory on the FTP server. Check the access rights of the specified file.
16#00000229	Execution was not possible because the file name was not correct.	Check the access rights of the specified directory.

## Sample Programming

This programming executes an SD Memory Card backup and then uploads all of the backup-related files to the '/Backup/yyyy-mm-dd' directory on the FTP server.



The backup-related files are uploaded to the '/Backup/yyyy-mm-dd' directory on the FTP server.

The Controller is connected to the FTP server through an EtherNet/IP network. The settings of the parameters to connect to the FTP server are given in the following table.

Parameter	Value
IP address	192.168.250.2
TCP port number	21
User name	FtpUser
Password	12345678

The following procedure is used.

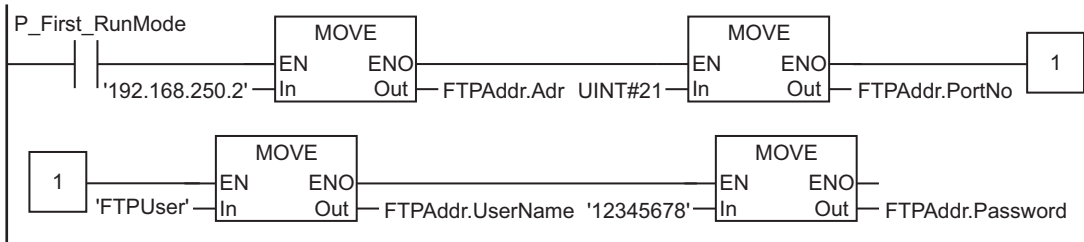
- 1** The BackupToMemoryCard instruction is used to save Controller backup-related files to the root directory on the SD Memory Card.
- 2** The FTPPutFile instruction is used to upload the backup-related files to the '/Backup/yyyy-mm-dd' directory on the FTP server. The wildcard specification '\*' is used to specify the names of the files to transfer.
- 3** Normal end processing is executed if all processing ends normally. Processing for an error end is performed if an error occurs.

## LD

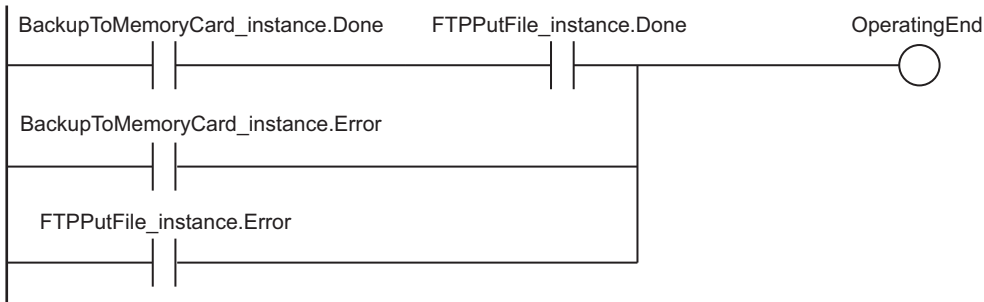
Internal Variables	Variable	Data type	Initial value	Comment
	FTPPutFile_instance	FTPPutFile		Instance of FTPPutFile instruction
	FTPAddr	_sFTP_CONNECT_SVR	(Adr := ", PortNo := 0, UserName := ", Password := ")	Connected FTP server settings

Internal Variables	Variable	Data type	Initial value	Comment
	PutResult	ARRAY[0..0] OF _sFTP_FILE_RESULT	[(Name := "", TxError := False, RemoveError := False, Reserved := [4(16#0)])]	Uploaded file results
	RS_instance	RS		Instance of RS instruction
	OperatingEnd	BOOL	FALSE	Processing completed
	Trigger	BOOL	FALSE	Execution condition
	Operating	BOOL	FALSE	Processing
	BackupToMemoryCard_instance	BackupToMemoryCard		Instance of BackupToMemoryCard instruction

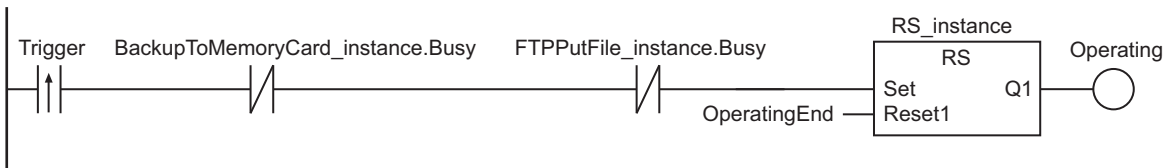
Prepare connected FTP server settings.



Determine if instruction execution is completed.

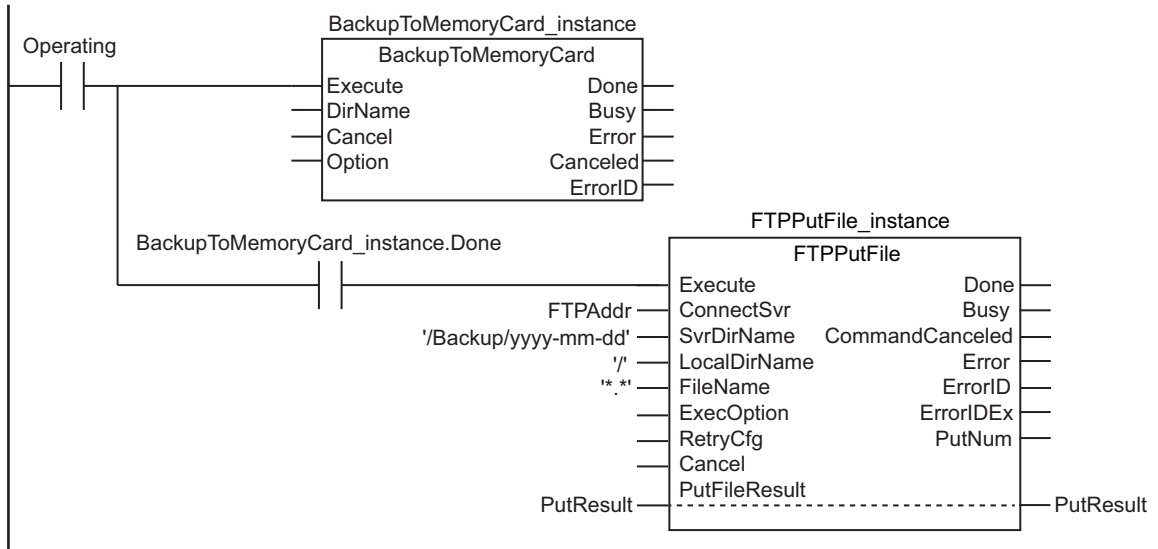


Accept trigger.

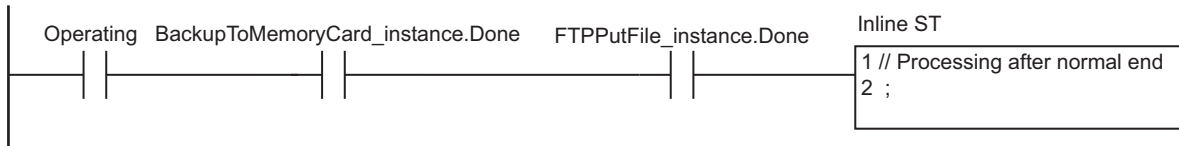




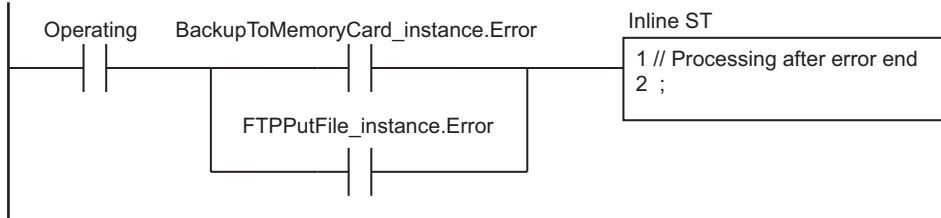
Execute BackupToMemoryCard and FTPPutFile instructions.



Processing after normal end



Processing after error end



**ST**

Internal Variables	Variable	Data type	Initial value	Comment
	R_TRIG_instance	R_TRIG		Instance of R_TRIG instruction
	UP_Q	BOOL	FALSE	Trigger output
	FTPPutFile_instance	FTPPutFile		Instance of FTPPutFile instruction
	DoFTPTrigger	BOOL	FALSE	Execution condition for BackupToMemoryCard and FTPPutFile
	FTPAddr	_sFTP_CONNECT_SVR	(Adr := ", PortNo := 0, UserName := ", Password := ")	Connected FTP server settings

Internal Variables	Variable	Data type	Initial value	Comment
	PutResult	ARRAY[0..0] OF _sFTP_FILE_RESULT	[(Name := "", TxError := False, RemoveError := False, Reserved := [4(16#0)])]	Uploaded file results
	Stage	UINT	0	Instruction execution stage
	Trigger	BOOL	FALSE	Execution condition
	BackupToMemoryCard_instance	BackupToMemoryCard		Instance of BackupToMemoryCard instruction

```

// Prepare connected FTP server settings.
IF P_First_RunMode THEN
  FTPAddr.Adr      := '192.168.250.2'; // Address
  FTPAddr.PortNo  := UINT#21;         // Port number
  FTPAddr.UserName := 'FtpUser';      // User name
  FTPAddr.Password := '12345678';     // Password
END_IF;

// Accept trigger.
R_TRIG_instance(Trigger, UP_Q);
IF ( (UP_Q = TRUE) AND (BackupToMemoryCard_instance.Busy = FALSE) AND
    (FTPPutFile_instance.Busy = FALSE) ) THEN
  DoFTPTrigger := TRUE;
  Stage := INT#1;
  BackupToMemoryCard_instance( // Initialize instance.
    Execute := FALSE) ;
  FTPPutFile_instance( // Initialize instance.
    Execute      := FALSE,
    ConnectSvr   := FTPAddr,
    SvrDirName   := '/Backup/yyyy-mm-dd',
    LocalDirName := '/',
    FileName     := '*.*',
    PutFileResult := PutResult) ;
END_IF;

IF (DoFTPTrigger = TRUE) THEN
  CASE Stage OF
    1 :// Execute BackupToMemoryCard instruction.
      BackupToMemoryCard_instance(
        Execute := TRUE) ;// Execution
      IF (BackupToMemoryCard_instance.Done = TRUE) THEN
        Stage := INT#2; // To next stage
      ELSIF (BackupToMemoryCard_instance.Error = TRUE) THEN
        Stage := INT#10; // Error end
      END_IF;
    2 : // Execute FTPPutFile instruction.

```

```

FTPPutFile_instance(
    Execute      := TRUE,           // Execution
    ConnectSvr  := FTPAddr,       // Connected FTP server
    SvrDirName   := '/Backup/yyyy-mm-dd', // FTP server directory name
    LocalDirName := '/',           // Local directory name
    FileName     := '*.*',        // File name
    PutFileResult := PutResult) ; // Uploaded file results
IF (FTPPutFile_instance.Done = TRUE) THEN
    Stage := INT#0; // Normal end
ELSIF (FTPPutFile_instance.Error = TRUE) THEN
    Stage := INT#20; // Error end
END_IF;
0 : // Processing after normal end
DoFTPTrigger:=FALSE;
Trigger      :=FALSE;
ELSE // Processing after error end
DoFTPTrigger:=FALSE;
Trigger      :=FALSE;
END_CASE;
END_IF;

```

# FTPRemoveFile

The FTPRemoveFile instruction deletes a file from the FTP server.

Instruction	Name	FB/ FUN	Graphic expression	ST expression
FTPRemove- File	Delete FTP Server File	FB	<pre> graph LR     subgraph FTPRemoveFile_instance [FTPRemoveFile_instance]         subgraph FTPRemoveFile [FTPRemoveFile]             Execute --- Done             ConnectSvr --- Busy             SvrDirName --- CommandCanceled             FileName --- Error             ExecOption --- ErrorID             RetryCfg --- ErrorIDEx             Cancel --- RemoveNum             RemoveFileResult --- Output         end     end </pre>	FTPRemoveFile_instance(Execute, ConnectSvr, SvrDirName, FileName, ExecOption, RetryCfg, Cancel, RemoveFileResult, Done, Busy, CommandCanceled, Error, ErrorID, ErrorIDEx, RemoveNum);



## Version Information

A CPU Unit with unit version 1.08 or later and Sysmac Studio version 1.09 or higher are required to use this instruction.

## Variables

	Meaning	I/O	Description	Valid range	Unit	Default
ConnectSvr	Connected FTP server settings	Input	Setting parameters for the connected FTP server	---	---	*1
SvrDirName	FTP server directory name		Name of FTP server directory containing the file to delete	256 bytes max. (255 single-byte alphanumeric characters plus the final NULL character) <sup>*2*3</sup>		**4
FileName	File name		Name of file to delete <sup>*5</sup>	256 bytes max. (255 single-byte alphanumeric characters plus the final NULL character) <sup>*3*6</sup>		*1
ExecOption	FTP execution options		Options for FTP execution	---		---
RetryCfg	Execution retry settings		Instruction execution retry settings	---		
Cancel	Cancel		TRUE: Instruction execution is canceled. FALSE: Instruction execution is not canceled.	Depends on data type.		

	Meaning	I/O	Description	Valid range	Unit	Default
Remove FileResult []array <sup>*7*8*9</sup>	Deleted file results	In-out	Deleted file results	---	---	*1
Command-Canceled	Cancel completed	Output	TRUE: Canceling completed. FALSE: Canceling not completed.	Depends on data type.	---	---
Remove-Num	Number of files to delete		Number of files to delete	---		

- \*1. If you omit an input parameter, the default value is not applied. A building error will occur.
- \*2. You cannot use the following characters in FTP server directory names:  
\* ? < > | "
- \*3. The use of single-byte spaces is not recommended because it may change the behavior of some FTP servers. Single-byte spaces are treated as two characters.
- \*4. The default is the home directory when you log onto the FTP server.
- \*5. You can use wildcards in file names.
- \*6. You cannot use the following character in file names:  
|
- \*7. The array can have a maximum of 1,000 elements.
- \*8. This is a one-dimensional array. If an array with more than one dimension is specified, a building error will occur.
- \*9. The first array element number is 0. If a number other than 0 is specified for the first array element, a building error will occur.

	Boo lean	Bit strings					Integers							Real num- bers		Times, durations, dates, and text strings				
	BOOL	BYTE	WORD	DWORD	LWORD	USINT	UINT	UDINT	ULINT	SINT	INT	DINT	LINT	REAL	LREAL	TIME	DATE	TOD	DT	STRING
ConnectSvr	Refer to <i>Function</i> on page 2-1323 for details on the structure <code>_sFTP_CONNECT_SVR</code> .																			
SvrDirName																				OK
FileName																				OK
ExecOption	Refer to <i>Specifying Options for FTP Server Processing</i> on page 2-1325 for details on the structure <code>_sFTP_EXEC_OPTION</code> .																			
RetryCfg	Refer to <i>Specifying Retrying Connection Processing with the FTP Server</i> on page 2-1308 for details on the structure <code>_sFTP_RETRY_CFG</code> .																			
Cancel	OK																			
Remove FileResult[] array	Refer to <i>Function</i> on page 2-1323 for details on the structure <code>_sFTP_FILE_RESULT</code> .																			
Command-Canceled	OK																			
Remove-Num							OK													

## Function

The FTPRemoveFile instruction deletes the file specified by *FileName* in the specified directory *SvrDirName* on the connected FTP server *ConnectSvr*.

You can use wildcards in *FileName*. This allows you to delete more than one file at one time.

The results of deleting files is stored by file in `RemoveFileResult[]`. Store the number of files to delete in `RemoveNum`.

If you use a wildcard in `FileName`, store the number of files with names that match the wildcard.

If the actual number of deleted files is different, the value of `RemoveFileResult[].RemoveError` changes to TRUE.

The data type of `ConnectSvr` is structure `_sFTP_CONNECT_SVR`. The specifications are as follows:

Name	Meaning	Description	Data type	Valid range	Unit	Default
ConnectSvr	Connected FTP server settings	Setting parameters for the connected FTP server	<code>_sFTP_CONNECT_SVR</code>	---	---	---
Adr	Address	IP address or host name* <sup>1</sup>	STRING	1 to 200 bytes* <sup>2</sup>	---	---
PortNo	Port number	TCP port number of FTP server control connection	UINT	0 to 65535* <sup>3</sup>		
UserName	User name	User name on FTP server	STRING	33 bytes max.* <sup>4</sup> * <sup>5</sup> * <sup>6</sup>		
Password	Password	FTP server password	STRING	33 bytes max.* <sup>4</sup> * <sup>5</sup> * <sup>6</sup>		

\*1. A separate DNS or Hosts setting is required to specify a host name.

\*2. You can use the following single-byte characters: "A to Z", "a to z", "0 to 9", "-" (hyphen), "." (period), and "\_" (underbar).

\*3. If you specify 0, TCP port number 21 is used.

\*4. You can use the following single-byte characters: "A to Z", "a to z", "0 to 9", "-" (hyphen), "." (period), and "\_" (underbar). You can also use "\" (backslash) and "@" for a CPU Unit with unit version 1.16 or later.

\*5. The NULL character at the end must be counted in the number of bytes.

\*6. For CPU Units with unit version 1.08, specify a text string of one character or more. An error will occur if you specify a text string that contains only the final NULL character.

The data type of `RemoveFileResult[]` is structure `_sFTP_FILE_RESULT`. The specifications are as follows:

Name	Meaning	Description	Data type	Valid range	Unit	Default
RemoveFileResult	Deleted file results	Transferred file results	_sFTP_FILE_RESULT	---	---	---
Name	File name* <sup>1</sup>	Transferred file name	STRING	256 bytes max. (255 single-byte alphanumeric characters plus the final NULL character)		
TxError	Transfer error	TRUE: Transfer ended in an error. FALSE: Transfer ended normally.	BOOL	Depends on data type.	---	---
RemoveError	Deletion error	TRUE: Deletion ended in an error. FALSE: Deletion ended normally.	BOOL			
Reserved	Reserved	Reserved by the system.	ARRAY[0..3] Of Byte	---		0

\*1. The file name extension is included.

## Using Wildcards to Specify File Names

You can use wildcards to specify the names of the files to delete.

Wildcard specifications are the same as those for the FTPGetFile instruction. Refer to *Using Wildcards to Specify File Names* on page 2-1305 for the FTPGetFile instruction.

## Specifying Options for FTP Server Processing

The operation specified with *ExecOption* is performed to delete the files from the FTP server.

The option settings are the same as those for the FTPGetFile instruction. Refer to *Specifying Options for FTP Server Processing* on page 2-1306 for the FTPGetFileList instruction.

However, the option that is valid for this instruction is *ExecOption.PassiveMode* alone.

## Specifying Retrying Connection Processing with the FTP Server

You can specify retrying connection processing with the FTP server.

The operation for the retry settings is the same as that for the FTPGetFileList instruction. Refer to *Specifying Retrying Connection Processing with the FTP Server* on page 2-1290 for the FTPGetFileList instruction.

## Canceling Instruction Execution

You can cancel execution of the FTPRemoveFile instruction after execution has started.

The results of deleting files from the FTP server up to the point where it is canceled are stored in *RemoveNum* and *RemoveFileResult[]*.

The operation for cancellation is the same as that for the FTPGetFileList instruction. Refer to *Cancelling Instruction Execution* on page 2-1292 for the FTPGetFileList instruction.

## Related System-defined Variables

Name	Meaning	Data type	Description
_EIP_EtnOnlineSta* <sup>1</sup>	Online	BOOL	This variable indicates when built-in EtherNet/IP port communications can be used. TRUE: Communications are possible. FALSE: Communications are not possible.
_EIP1_EtnOnlineSta* <sup>2</sup>			
_EIP2_EtnOnlineSta* <sup>3</sup>			

- \*1. Use this variable name for an NJ-series CPU Unit.
- \*2. Use this variable name for port 1 on an NX-series CPU Unit.  
You can specify \_EIP\_EtnOnlineSta instead of \_EIP1\_EtnOnlineSta.
- \*3. Use this variable name for port 2 on an NX-series CPU Unit.

## Precautions for Correct Use

- You can use this instruction through a built-in EtherNet/IP port on an NJ/NX-series CPU Unit, or through a port on an NX-series EtherNet/IP Unit connected to an NX502 CPU Unit.
- Execution of this instruction is continued until processing is completed even if the value of *Execute* changes to FALSE or the execution time exceeds the task period. The value of *Done* changes to TRUE when processing is completed. Use this to confirm normal completion of the processing.
- Refer to *Using this Section* on page 2-3 for a timing chart for *Execute*, *Done*, *Busy*, and *Error*.
- If the number of deleted files exceeds the number of array elements in RemoveFileResult[], the results that will not fit are not stored. In this case, *Error* does not change to TRUE.
- If a file name exceeds 255 characters, the first 255 characters are stored in Name in RemoveFileResult[].Name. In this case, *Error* does not change to TRUE.
- You can execute a maximum of 3 of the following instructions at the same time: FTPGetFileList, FTPGetFile, FTPPutFile, FTPRemoveFile, and FTPRemoveDir.
- If a wildcard is used in the file name and an error occurs for more than one file, the results of the first file for which the value of RemoveFileResult[].TxError is TRUE of all the files for which results are stored in RemoveFileResult[] are stored in ErrorID and ErrorIDEx.
- In the following cases, the value of RemoveFileResult[].RemoveError changes to TRUE.
  - a) The file directory specified with FileName does not exist on the FTP server.
  - b) A file specified with FileName has a read-only attribute.
  - c) The name specified for FileName is actually the name of a directory.
- An error will occur in the following cases. *Error* will change to TRUE.
  - a) The value of any input parameter is outside of the valid range.
  - b) "." is specified for a directory level in SvrDirName.
  - c) An incorrect path such as "/" is specified for SvrDirName.
  - d) The directory specified by SvrDirName does not exist on the FTP server.
  - e) More than 1,000 files to delete exist in the directory specified with SvrDirName.
  - f) A file that matches the file name specified with a wildcard in FileName does not exist in the directory on the FTP server.
  - g) A file specified with FileName has a read-only attribute.
  - h) The FTP server specified by ConnectSvr does not exist on the network or the specified FTP server is not operating.

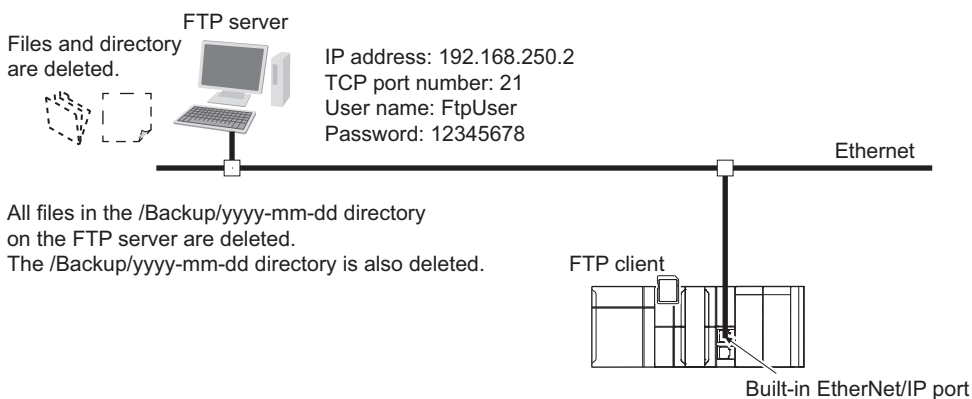


- i) More than 3 of the following instructions were executed at the same time: FTPGetFileList, FTPGetFile, FTPPutFile, FTPRemoveFile, and FTPRemoveDir.
- For this instruction, expansion error code *ErrorIDEx* gives the FTP response code that was returned by the FTP server. The following table lists typical values of *ErrorIDEx* and describes the meanings of the errors and the corrections. For details, refer to FTP server specifications. An expansion error code is output to *ErrorIDEx* when the value of error code *ErrorID* is WORD#16#2407.

Value of <i>ErrorIDEx</i>	Meaning	Correction
16#000001A9	It was not possible to establish a data connection.	If you use FTP communications with an FTP server over the Internet, make sure that the FTP open mode is not set to active.
16#000001AA	The connection was closed. Data transfer was aborted.	Check the connection to the FTP server. Make sure that the FTP server is operating.
16#000001C2	It was not possible to perform the requested file operation. Using the file was not possible, e.g., it is already open.	Make sure that the file is not open for any other application.
16#00000212	User login was not possible.	Check the FTP user name and password.
16#00000214	An account to save files is required.	Check the FTP user access rights.
16#00000226	Execution of the requested file operation was not possible because using the file was not possible, e.g., accessing it was not possible because it was not found.	Make sure that a file with the specified name exists in the directory on the FTP server. Check the access rights of the specified file.
16#00000229	Execution was not possible because the file name was not correct.	Check the access rights of the specified directory.

## Sample Programming

This programming deletes all of the files in the '/Backup/yyyy-mm-dd' directory on the FTP server. It then deletes the '/Backup/yyyy-mm-dd' directory too.



The Controller is connected to the FTP server through an EtherNet/IP network. The settings of the parameters to connect to the FTP server are given in the following table.

Parameter	Value
IP address	192.168.250.2
TCP port number	21
User name	FtpUser
Password	12345678

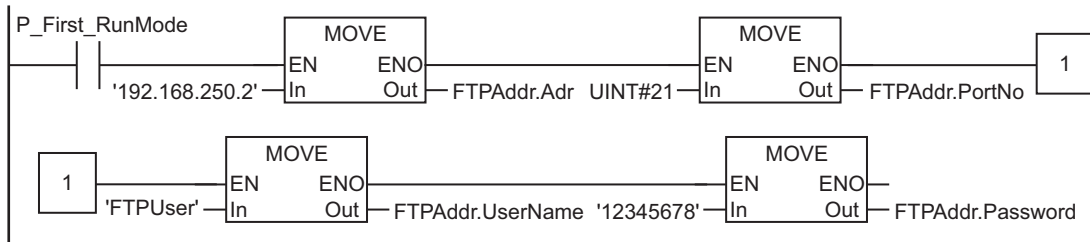
The following procedure is used.

- 1** The FTPRemoveFile instruction is used to delete all of the files in the '/Backup/yyyy-mm-dd' directory on the FTP server. The wildcard specification '\*.\*' is used to specify the names of the files to delete.
- 2** The FTPRemoveDir instruction is used to delete the '/Backup/yyyy-mm-dd' directory from the FTP server.
- 3** Normal end processing is executed if all processing ends normally. Processing for an error end is performed if an error occurs.

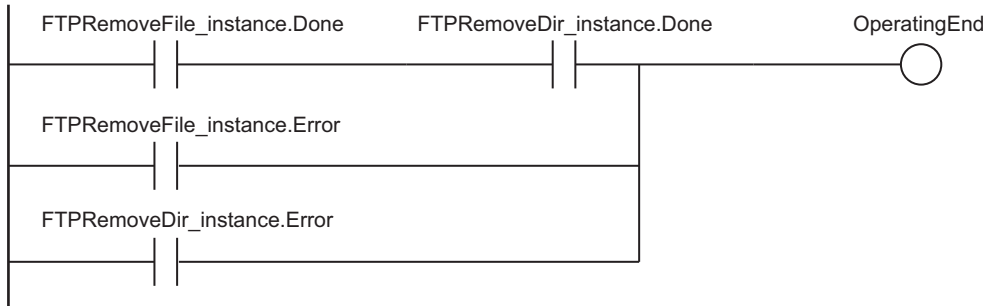
### LD

Internal Variables	Variable	Data type	Initial value	Comment
	FTPRemoveFile_instance	FTPRemoveFile		Instance of FTPRemoveFile instruction
	FTPRemoveDir_instance	FTPRemoveDir		Instance of FTPRemoveDir instruction
	FTPAddr	_sFTP_CONNECT_SVR	(Adr := ", PortNo := 0, UserName := ", Password := ")	Connected FTP server settings
	RemoveResult	ARRAY[0..0] OF _sFTP_FILE_RESULT	[(Name := ", TxError := False, RemoveError := False, Reserved := [4(16#0)])]	Deleted file results
	RS_instance	RS		Instance of RS instruction
	OperatingEnd	BOOL	FALSE	Processing completed
	Trigger	BOOL	FALSE	Execution condition
	Operating	BOOL	FALSE	Processing

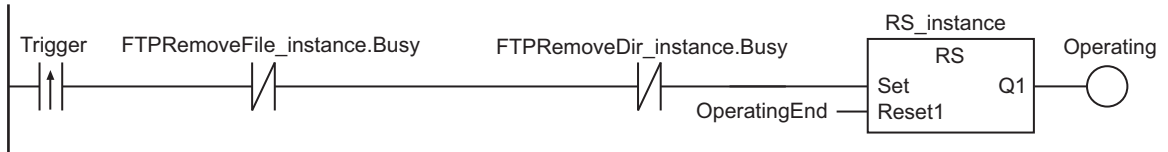
Prepare connected FTP server settings.



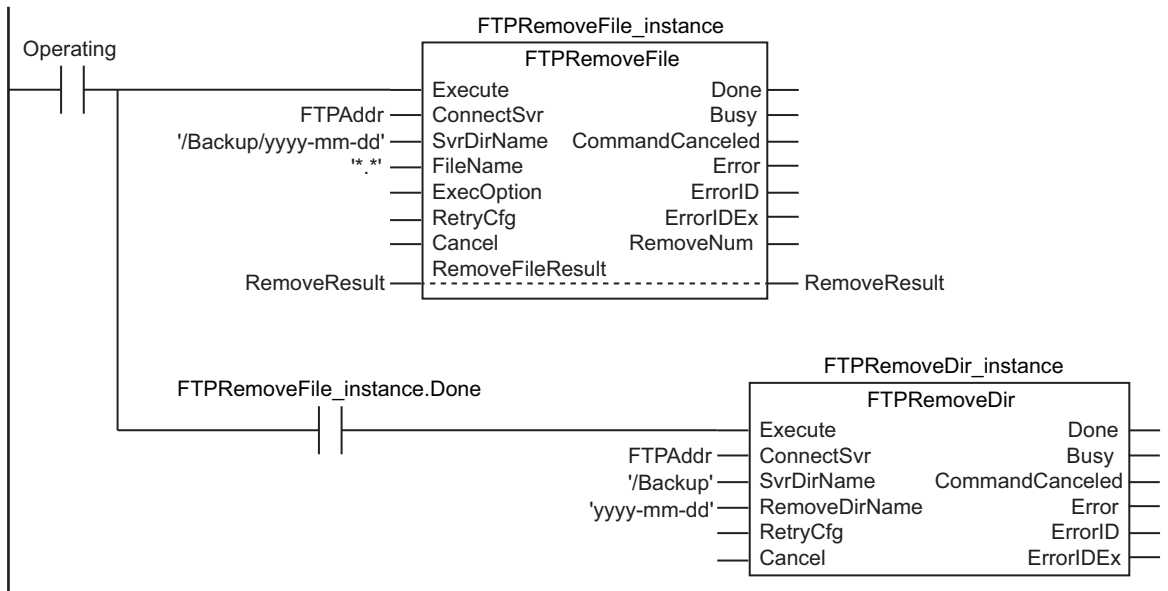
Determine if instruction execution is completed.



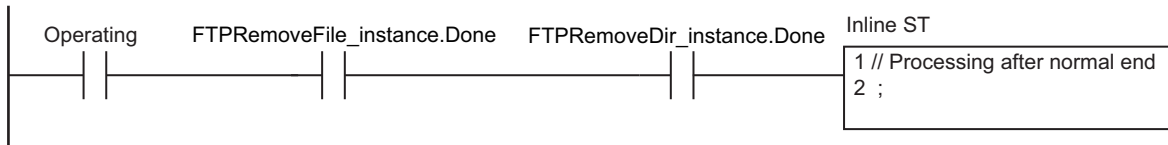
Accept trigger.



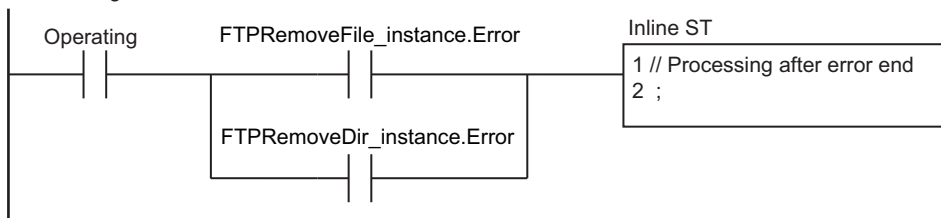
Execute FTPRemoveFile and FTPRemoveDir instructions.



Processing after normal end



Processing after error end



## ST

Internal Variables	Variable	Data type	Initial value	Comment
	R_TRIG_instance	R_TRIG		Instance of R_TRIG instruction
	UP_Q	BOOL	FALSE	Trigger output
	FTPRemoveFile_instance	FTPRemoveFile		Instance of FTPRemoveFile instruction
	FTPRemoveDir_instance	FTPRemoveDir		Instance of FTPRemoveDir instruction
	DoFTPTrigger	BOOL	FALSE	Execution condition for FTPRemoveFile and FTPRemoveDir
	FTPAddr	_sFTP_CONNECT_SVR	(Adr := ", PortNo := 0, UserName := ", Password := ")	Connected FTP server settings
	RemoveResult	ARRAY[0..0] OF _sFTP_FILE_RESULT	[(Name := ", TxError := False, RemoveError := False, Reserved := [4(16#0)])]	Deleted file results
	Stage	UINT	0	Instruction execution stage
	Trigger	BOOL	FALSE	Execution condition

```
// Prepare connected FTP server settings.
IF P_First_RunMode THEN
  FTPAddr.Adr      := '192.168.250.2'; // Address
  FTPAddr.PortNo  := UINT#21;         // Port number
  FTPAddr.UserName := 'FtpUser';      // User name
  FTPAddr.Password := '12345678';     // Password
END_IF;

// Accept trigger.
R_TRIG_instance(Trigger, UP_Q);
IF ( (UP_Q = TRUE) AND (FTPRemoveFile_instance.Busy = FALSE) AND
    (FTPRemoveDir_instance.Busy = FALSE) ) THEN
  DoFTPTrigger := TRUE;
  Stage := INT#1;
  FTPRemoveFile_instance( // Initialize instance.
    Execute      := FALSE,
    ConnectSvr   := FTPAddr,
    SvrDirName   := '/Backup/yyyy-mm-dd',
    FileName     := '*.*',
    RemoveFileResult := RemoveResult) ;
  FTPRemoveDir_instance( // Initialize instance.
    Execute      := FALSE,
    ConnectSvr   := FTPAddr,
    SvrDirName   := '/Backup',
```

```

        RemoveDirName := 'yyyy-mm-dd') ;
END_IF;

IF (DoFTPTrigger = TRUE) THEN
  CASE Stage OF
    1 : // Execute FTPRemoveFile instruction.
      FTPRemoveFile_instance(
        Execute           := TRUE,           // Execution
        ConnectSvr       := FTPAddr,       // Connected FTP server
        SvrDirName       := '/Backup/yyyy-mm-dd', //FTP server directory name
        FileName         := '.*.*',       // File name
        RemoveFileResult := RemoveResult) ; // Deleted file results
      IF (FTPRemoveFile_instance.Done = TRUE) THEN
        Stage := INT#2; // To next stage
      ELSIF (FTPRemoveFile_instance.Error = TRUE) THEN
        Stage := INT#10; // Error end
      END_IF;
    2 : // Execute FTPRemoveDir instruction.
      FTPRemoveDir_instance(
        Execute           := TRUE,           // Execution
        ConnectSvr       := FTPAddr,       // Connected FTP server
        SvrDirName       := '/Backup',     // FTP server directory name
        RemoveDirName    := 'yyyy-mm-dd') ;// Directory to delete
      IF (FTPRemoveDir_instance.Done = TRUE) THEN
        Stage:=INT#0; // Normal end
      ELSIF (FTPRemoveDir_instance.Error = TRUE) THEN
        Stage:=INT#20; // Error end
      END_IF;
    0 : // Processing after normal end
      DoFTPTrigger:=FALSE;
      Trigger      :=FALSE;
  ELSE // Processing after error end
      DoFTPTrigger:=FALSE;
      Trigger      :=FALSE;
  END_CASE;
END_IF;

```

# FTPRemoveDir

The FTPRemoveDir instruction deletes a directory from the FTP server.

Instruction	Name	FB/ FUN	Graphic expression	ST expression
FTPRemoveDir	Delete FTP Server Directory	FB		FTPRemoveDir_instance(Execute, ConnectSvr, SvrDirName, RemoveDirName, Cancel, RetryCfg, Done, Busy, CommandCanceled, Error, ErrorID, ErrorIDEx);



## Version Information

A CPU Unit with unit version 1.08 or later and Sysmac Studio version 1.09 or higher are required to use this instruction.

## Variables

	Meaning	I/O	Description	Valid range	Unit	Default
ConnectSvr	Connected FTP server settings	Input	Setting parameters for the connected FTP server	---	---	*1
SvrDirName	FTP server directory name		Name of FTP server directory containing the directory to delete	256 bytes max. (255 single-byte alphanumeric characters plus the final NULL character) <sup>*2*3</sup>		**4
RemoveDir-Name	Directory to delete		Directory to delete	256 bytes max. (255 single-byte alphanumeric characters plus the final NULL character) <sup>*3</sup>		*1
RetryCfg	Execution retry settings		Instruction execution retry settings	---		---
Cancel	Cancel		TRUE: Instruction execution is canceled. FALSE: Instruction execution is not canceled.	Depends on data type.		FALSE
Command-Canceled	Cancel completed	Output	TRUE: Canceling completed. FALSE: Canceling not completed.	---	---	---

\*1. If you omit an input parameter, the default value is not applied. A building error will occur.

\*2. You cannot use the following characters in FTP server directory names: \* ? < > | “

- \*3. The use of single-byte spaces is not recommended because it may change the behavior of some FTP servers. Single-byte spaces are treated as two characters.
- \*4. The default is the home directory when you log onto the FTP server.

	Boo lean	Bit strings					Integers							Real num- bers		Times, durations, dates, and text strings				
	BOOL	BYTE	WORD	DWORD	LWORD	USINT	UINT	UDINT	ULINT	SINT	INT	DINT	LINT	REAL	LREAL	TIME	DATE	TOD	DT	STRING
ConnectSvr	Refer to <i>Function</i> on page 2-1333 for details on the structure <code>_sFTP_CONNECT_SVR</code> .																			
SvrDirName																				OK
RemoveDir- Name																				OK
RetryCfg	Refer to <i>Specifying Retrying Connection Processing with the FTP Server</i> on page 2-1308 for details on the structure <code>_sFTP_RETRY_CFG</code> .																			
Cancel	OK																			
Command- Canceled	OK																			

## Function

The FTPRemoveDir instruction deletes the specified directory *RemoveDirName* from the directory containing the directory to delete *SvrDirName* on the connected FTP server *ConnectSvr*.

When the value of *Done* in the instruction changes to TRUE, deletion of the specified directory is already completed.

If the instruction fails to delete the directory, the value of *Error* changes to TRUE.

The data type of *ConnectSvr* is structure `_sFTP_CONNECT_SVR`. The specifications are as follows:

Name	Meaning	Description	Data type	Valid range	Unit	Default
ConnectSvr	Connected FTP server settings	Setting parameters for the connected FTP server	_sFTP_CONNECT_SVR	---	---	---
Adr	Address	IP address or host name*1	STRING	1 to 200 bytes*2	---	---
PortNo	Port number	TCP port number of FTP server control connection	UINT	0 to 65535*3		
UserName	User name	User name on FTP server	STRING	33 bytes max.*4*5*6		
Password	Password	FTP server password	STRING	33 bytes max.*4*5*6		

\*1. A separate DNS or Hosts setting is required to specify a host name.

\*2. You can use the following single-byte characters: "A to Z", "a to z", "0 to 9", "-" (hyphen), "." (period), and "\_" (underscore).

\*3. If you specify 0, TCP port number 21 is used.

\*4. You can use the following single-byte characters: "A to Z", "a to z", "0 to 9", "-" (hyphen), "." (period), and "\_" (underscore). You can also use "\" (backslash) and "@" for a CPU Unit with unit version 1.16 or later.

\*5. The NULL character at the end must be counted in the number of bytes.

\*6. For CPU Units with unit version 1.08, specify a text string of one character or more. An error will occur if you specify a text string that contains only the final NULL character.

## Specifying Retrying Connection Processing with the FTP Server

You can specify retrying connection processing with the FTP server.

The operation for the retry settings is the same as that for the FTPGetFileList instruction. Refer to *Specifying Retrying Connection Processing with the FTP Server* on page 2-1290 for the FTPGetFileList instruction.

## Canceling Instruction Execution

You can cancel execution of the FTPRemoveDir instruction after execution has started.

The operation for cancellation is the same as that for the FTPGetFileList instruction. Refer to *Canceling Instruction Execution* on page 2-1292 for the FTPGetFileList instruction.

## Related System-defined Variables

Name	Meaning	Data type	Description
_EIP_EtnOnlineSta*1	Online	BOOL	This variable indicates when built-in EtherNet/IP port communications can be used. TRUE: Communications are possible. FALSE: Communications are not possible.
_EIP1_EtnOnlineSta*2			
_EIP2_EtnOnlineSta*3			

\*1. Use this variable name for an NJ-series CPU Unit.

\*2. Use this variable name for port 1 on an NX-series CPU Unit.  
You can specify \_EIP\_EtnOnlineSta instead of \_EIP1\_EtnOnlineSta.

\*3. Use this variable name for port 2 on an NX-series CPU Unit.



## Precautions for Correct Use

- You can use this instruction through a built-in EtherNet/IP port on an NJ/NX-series CPU Unit, or through a port on an NX-series EtherNet/IP Unit connected to an NX502 CPU Unit.
- Execution of this instruction is continued until processing is completed even if the value of *Execute* changes to FALSE or the execution time exceeds the task period. The value of *Done* changes to TRUE when processing is completed. Use this to confirm normal completion of the processing.
- Refer to *Using this Section* on page 2-3 for a timing chart for *Execute*, *Done*, *Busy*, and *Error*.
- Even if you use *Cancel* to cancel the execution of this instruction, sometimes the directory on the FTP server is deleted depending on the timing of when *Cancel* changes to TRUE. Check the directory on the FTP server.
- You can execute a maximum of 3 of the following instructions at the same time: FTPGetFileList, FTPGetFile, FTPPutFile, FTPRemoveFile, and FTPRemoveDir.
- An error will occur in the following cases. *Error* will change to TRUE.
  - a) The value of any input parameter is outside of the valid range.
  - b) The directory specified by *SvrDirName* does not exist on the FTP server.
  - c) "." is specified for a directory level in *SvrDirName* or *RemoveDirName*.
  - d) An incorrect path such as "/" is specified for *SvrDirName* or *RemoveDirName*.
  - e) The directory specified by *RemoveDirName* does not exist on the FTP server.
  - f) There are no files or subdirectories in the directory specified with *RemoveDirName*.
  - g) The directory specified with *RemoveDirName* has a read-only attribute.
  - h) The FTP server specified by *ConnectSvr* does not exist on the network or the specified FTP server is not operating.
  - i) More than 3 of the following instructions were executed at the same time: FTPGetFileList, FTPGetFile, FTPPutFile, FTPRemoveFile, and FTPRemoveDir.
- For this instruction, expansion error code *ErrorIDEx* gives the FTP response code that was returned by the FTP server. The following table lists typical values of *ErrorIDEx* and describes the meanings of the errors and the corrections. For details, refer to FTP server specifications. An expansion error code is output to *ErrorIDEx* when the value of error code *ErrorID* is WORD#16#2407.

Value of <i>ErrorIDEx</i>	Meaning	Correction
16#000001A9	It was not possible to establish a data connection.	If you use FTP communications with an FTP server over the Internet, make sure that the FTP open mode is not set to active.
16#000001AA	The connection was closed. Data transfer was aborted.	Check the connection to the FTP server. Make sure that the FTP server is operating.
16#000001C2	It was not possible to perform the requested file operation. Using the file was not possible, e.g., it is already open.	Make sure that the file is not open for any other application.
16#00000212	User login was not possible.	Check the FTP user name and password.
16#00000214	An account to save files is required.	Check the FTP user access rights.
16#00000226	Execution of the requested file operation was not possible because using the file was not possible, e.g., accessing it was not possible because it was not found.	Make sure that a file with the specified name exists in the directory on the FTP server. Check the access rights of the specified file.
16#00000229	Execution was not possible because the file name was not correct.	Check the access rights of the specified directory.

## Sample Programming

Refer to *Sample Programming* on page 2-1327 for the FTPRemoveFile instruction

# Serial Communications Instructions

Instruction	Name	Page
ExecPMCR	Protocol Macro	page 2-1338
SerialSend	SCU Send Serial	page 2-1352
SerialRcv and SerialRcvNoClear	SCU Receive Serial/SCU Receive Serial without Receive Buffer Clear	page 2-1363
SendCmd	Send Command	page 2-1378
NX_SerialSend	Send No-protocol Data	page 2-1391
NX_SerialRcv	Receive No-protocol Data	page 2-1404
NX_ModbusRtuCmd	Send Modbus RTU General Command	page 2-1419
NX_ModbusRtuRead	Send Modbus RTU Read Command	page 2-1430
NX_ModbusRtuWrite	Send Modbus RTU Write Command	page 2-1441
NX_SerialSigCtl	Serial Control Signal ON/OFF Switching	page 2-1452
NX_SerialSigRead	Read Serial Control Signal	page 2-1460
NX_SerialStatusRead	Read Serial Port Status	page 2-1465
NX_SerialBufClear	Clear Buffer	page 2-1470
NX_SerialStartMon	Start Serial Line Monitoring	page 2-1480
NX_SerialStopMon	Stop Serial Line Monitoring	page 2-1485

# ExecPMCR

The ExecPMCR instruction requests execution of a communications sequence (protocol data) registered in a Serial Communications Unit.

Instruction	Name	FB/ FUN	Graphic expression	ST expression
ExecPMCR	Protocol Macro	FB	<pre> ExecPMCR_instance   ExecPMCR   - Execute  Done   - Port     Busy   - SeqNo    Error   - SrcDat   ErrorID   - DstDat   - ErrorIDEx           </pre>	ExecPMCR_instance(Execute, Port, SeqNo, SrcDat, DstDat, Done, Busy, Error, ErrorID, ErrorIDEx);



## Precautions for Correct Use

You cannot use this instruction with NX-series CPU Units.

## Variables

	Meaning	I/O	Description	Valid range	Unit	Default
Port	Destination port	Input	Destination port	---	---	---
SeqNo	Communications sequence number		Communications sequence number	0 to 999		0
SrcDat[] (array)	Send data array		Send data array	Depends on data type.		*1
DstDat[] (array)	Receive data array	In-out	Receive data array	Depends on data type.	---	---

\*1. If you omit the input parameter, the default value is not applied. A building error will occur.

	Boo lean	Bit strings					Integers							Real numbers		Times, durations, dates, and text strings				
	BOOL	BYTE	WORD	DWORD	LWORD	USINT	UINT	UDINT	ULINT	SINT	INT	DINT	LINT	REAL	LREAL	TIME	DATE	TOD	DT	STRING
Port		Refer to <i>Function</i> on page 2-1338 for details on the structure <code>_sPORT</code> .																		
SeqNo							OK													
SrcDat[] (array)			OK																	
DstDat[] (array)			OK																	

## Function

The ExecPMCR instruction requests execution of the sequence that is specified with communications sequence number *SeqNo* from the specified destination port *Port*.

If data is sent, it is sent from the second element (SrcDat[1]) of send data array SrcDat[]. The number of array elements to send is specified in SrcDat[0].

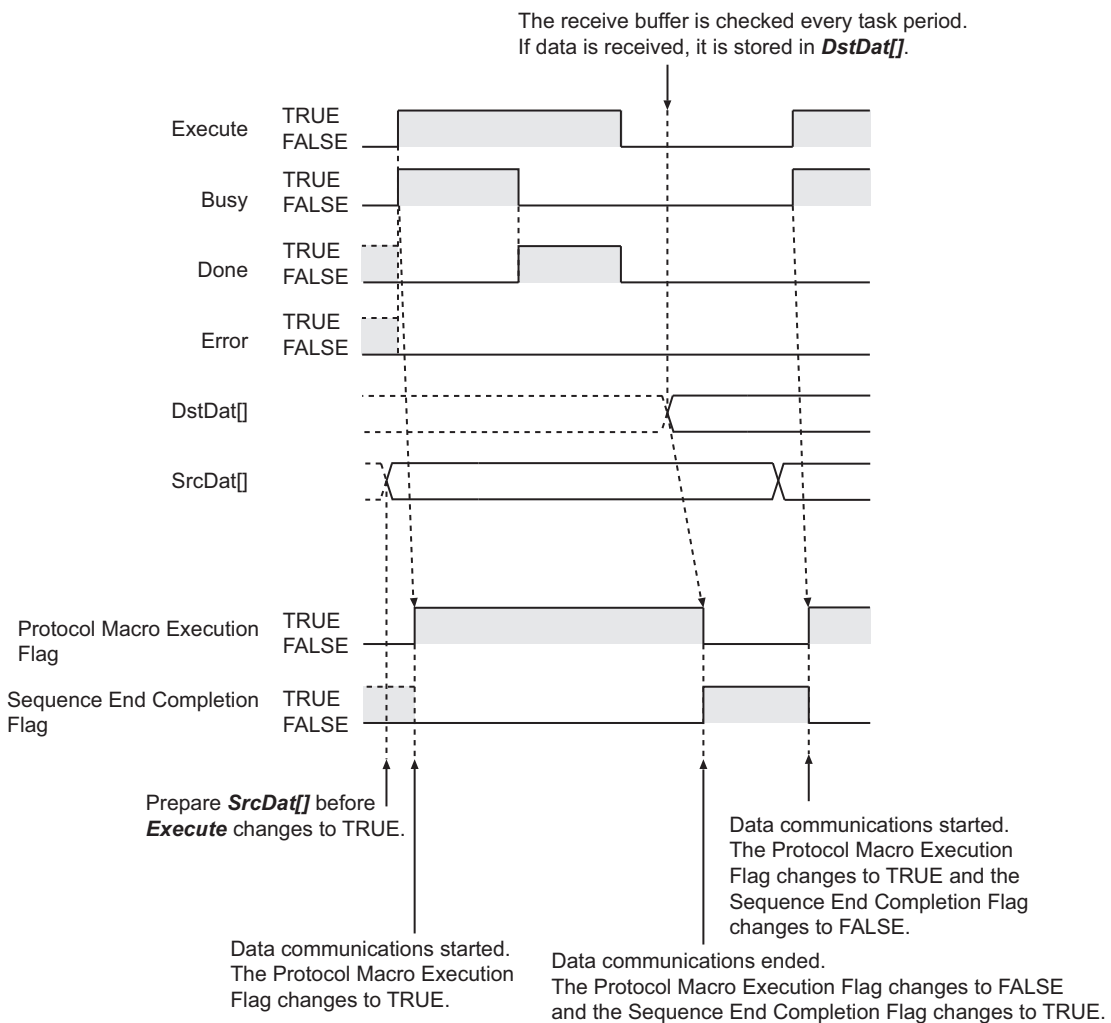
If data is received successfully, the receive data is stored from the second element (DstDat[1]) of receive data array DstDat[]. The number of receive data elements is stored in DstDat[0].

If data is not received successfully, the contents of DstDat[] from before instruction execution is retained for the number of elements specified in DstDat[0].

The data type of destination port *Port* is the structure `_sPORT`. The specifications are as follows:

Name	Meaning	Description	Data type	Valid range	Unit	Default
Port	Destination port	Destination port	<code>_sPORT</code>	---	---	---
UnitNo	Unit number	Unit number of Serial Communications Unit	<code>_eUnitNo</code>	<code>_CBU_No00</code> to <code>_CBU_No15</code>	---	<code>_CBU_No00</code>
PhysicPortNo	Serial port number	Serial port number on Serial Communications Unit	USINT	1 or 2	---	1

The following figure shows a timing chart. Communications is performed to the end after the value of *Done* changes to TRUE.



## Related System-defined Variables

Name	Meaning	Data type	Description
_Port_numUsingPort	Number of Used Ports	USINT	This is the number of ports that are currently used.
_Port_isAvailable	Network Communications Instruction Enabled Flag	BOOL	TRUE: A port is available. FALSE: A port is not available.
_CJB_SCU##P1ChgSta, _CJB_SCU##P2ChgSta*1	Serial Communications Unit ## Port 1/2 Settings Changing Flag	BOOL	TRUE: The serial port settings are currently being changed. FALSE: The serial port settings are currently not being changed.

\*1. "##" denotes the unit number on the Serial Communications Unit.

## Related Semi-user-defined Variables

Name	Meaning	Data type	Description
P#_PmrExecSta*1	Protocol Macro Execution Flag	BOOL	TRUE: Protocol macro execution is in progress. FALSE: Protocol macro execution is not in progress or failed.
P#_PmrSeqEndSta*1	Sequence End Completion Flag	BOOL	TRUE: The sequence was completed with an End. FALSE: The sequence was not completed with an End.
P#_PmrSeqAbtSta*1	Sequence Abort Completion Flag	BOOL	TRUE: The sequence was completed with an Abort. FALSE: The sequence was not completed with an Abort.

\*1. "#" denotes the port number on the Serial Communications Unit.

## Additional Information

Refer to the *SYSMAC CX-Protocol Operation Manual (Cat. No. W344)* for details on protocol macros.

## Precautions for Correct Use

- The ExecPMCR instruction starts execution of a protocol macro. Use the *P#PmrExecSta* (Protocol Macro Execution Flag) system-defined variable to check the status of protocol macro execution.
- Execution of this instruction is continued until completed even when the value of *Execute* changes to FALSE or the execution time exceeds the task period. The value of *Done* changes to TRUE when the execution is completed. Use this to confirm normal completion of processing.
- Refer to *Using this Section* on page 2-3 for a timing chart for *Execute*, *Done*, *Busy*, and *Error*.
- An address in memory for CJ-series Units must be specified in the AT Specification attribute of DstDat[ ].
- Set the value of SrcDat[0] and DstDat[0] to 0 to use a direct specification and link word specification. An error occurs if you set any other constant or variable, and the instruction is not executed.
- If the value of DstDat[0] is 0 or 1 and reception fails, all elements in DstDat[ ] change to 0.
- The instruction is executed only when there is an available port. Therefore, use the *\_Port\_isAvailable* (Network Communications Instruction Enabled Flag) system-defined variable in an N.O. execution condition for the instruction.
- The instruction is not executed while *Busy* is TRUE. Therefore, use *Busy* in an N.C. execution condition for the instruction.
- The *P#\_PmrExecSta* (Protocol Macro Execution Flag) semi-user-defined variable changes to TRUE when instruction execution is started. It changes to FALSE after the communications sequence is

completed and the receive data is stored in `DstDat[]`. You cannot execute this instruction for the same serial port until then. Therefore, use `P#_PmrExecSta` in an N.C. execution condition for the instruction.

- If the instruction is used in ST, make sure that the instruction is processed each task period as long as instruction execution continues. Otherwise, normal processing may not be possible.
- An error will occur in the following cases. *Error* will change to TRUE.
  - a) The serial communications mode is not set to Protocol Macro Mode when the instruction is executed.
  - b) The value of `_Port_isAvailable` is FALSE.
  - c) The value of `SeqNo` is outside the valid range.
  - d) The value of `SeqNo` is not registered to a Serial Communications Unit.
  - e) The value of `Port.UnitNo` or `Port.PhysicPortNo` is outside the valid range.
  - f) There is no CJ-series Serial Communications Unit with the specified unit number.
  - g) The value of `SrcDat[0]` exceeds the size of `SrcDat[]`.
  - h) The value of `DstDat[0]` exceeds the size of `DstDat[]`.
  - i) The value of `SrcDat[0]` or `DstDat[0]` exceeds 250 words.
  - j) Communications fail.
  - k) An address in memory for CJ-series Units is not specified in the AT Specification attribute of `DstDat[]`.
- For this instruction, expansion error code *ErrorIDEx* gives the communications response code. The values and meanings are listed in the following table. An expansion error code is output to *ErrorIDEx* when the value of error code *ErrorID* is WORD#16#0800.

Value	Error	Correction
16#00000001	The communications service was interrupted.	<ul style="list-style-type: none"> <li>• Check the data link execution status.</li> <li>• Check the capacity of the transfer destination area on the third node.</li> </ul>
16#00000101	The local node is not part of the network.	Make the local node part of the network.
16#00000102	A token timeout occurred.	Set the local node address to be within the maximum node address.
16#00000103	The retry count was exceeded.	Perform inter-node tests. If any error is found, check the operating environment.
16#00000104	The allowable number of send frames was exceeded.	Check the status of events in the network and reduce the number of events in each task period. Or, increase the number of allowable send frames.
16#00000105	The IP address of the local node is out of range.	Set the rotary switches on the Serial Communications Unit correctly.
16#00000106	The IP address of the local node is also used by another node in the network.	Change one of the node addresses that are duplicated.
16#00000201	The remote node is not part of the network.	Make the remote node part of the network.
16#00000202	A Unit with the specified unit address does not exist at the destination.	Correctly set the unit address for the destination network address.
16#00000203	The third node is not part of the network.	<ul style="list-style-type: none"> <li>• Check the address of the Unit that is the third node.</li> <li>• Specify only one node for the third node.</li> </ul>
16#00000204	The remote node is busy.	Increase the number of retries or correct the system so that communications traffic is not concentrated on the remote node.

Value	Error	Correction
16#00000205	A response timeout occurred.	Check the settings of the communications parameters.
16#00000206	There is an error in the transmission path.	<ul style="list-style-type: none"> <li>• Attempt retries.</li> <li>• If this error occurs frequently, check for noise.</li> </ul>
16#00000301	A Communications Controller Error occurred.	Refer to the operation manual for the relevant Unit and make suitable corrections.
16#00000302	There is an error in the CPU Unit at the remote node.	Refer to the manual for the CPU Unit at the remote node and remove the error.
16#00000303	There is an error in the relevant Controller and a response is not returned.	Check the communications status on the network and restart the relevant Controller. If the error still occurs, replace the relevant Controller.
16#00000304	The unit number setting is not correct.	Set the rotary switches on the Serial Communications Unit correctly.
16#00000401	The command that was sent is not supported.	Set the command array correctly.
16#00000402	The Unit model or version is not supported.	Check the Unit model and version.
16#00000501	The remote address setting is wrong.	Set the destination address in the routing tables.
16#00000502	Routing tables are not registered.	Set the source node, destination node, and relay nodes in the routing tables.
16#00000503	There is an error in the routing tables.	Correct the settings in the routing tables.
16#00000504	There are too many relay points.	Restructure the network or correct the routing tables so that commands are used within a three-layer range.
16#00001001	The command is too long.	Set the command array correctly.
16#00001002	The command is too short.	Set the command array correctly.
16#00001003	The number of write elements that is specified in the command does not agree with the number of write data.	Specify the same number of write elements and write data.
16#00001004	The command format is incorrect.	Set the command array correctly.
16#00001005	There is an error in the header.	Correct the settings in the routing tables.
16#00001101	The area type does not exist.	Refer to the command variables and parameter type codes and set the relevant codes.
16#00001102	An access size is wrong.	Correctly set the variable and parameter access sizes.
16#00001103	An out-of-range address was specified.	Specify an address that is within the process range.
16#00001104	The address range was exceeded.	<ul style="list-style-type: none"> <li>• Specify an address that is within the process range.</li> <li>• Correct the settings in the data link table.</li> </ul>
16#00001106	A communications sequence number that is not registered was specified.	Correct the communications sequence number or add the sequence with the CX-Protocol.
16#00001109	An interrelationship error occurred.	<ul style="list-style-type: none"> <li>• Correct the size relationships in the command data.</li> <li>• Correct the settings in the data link table.</li> </ul>
16#0000110A	Data is redundant.	<ul style="list-style-type: none"> <li>• Cancel the current process or wait for it to be completed before you execute the command.</li> <li>• Correct the settings in the data link table.</li> </ul>
16#0000110B	The response is too long.	Set the number of elements in the command array correctly.
16#0000110C	This is another parameter error.	Set the command array correctly.
16#00002002	The data is protected.	Execute the command again after clearing the protection.
16#00002003	There is no registered table.	Set the table correctly.



Value	Error	Correction
16#00002004	There is no data that matches the search data.	Set the search data correctly.
16#00002005	The relevant program number does not exist.	Set a valid program number.
16#00002006	The relevant file does not exist.	Set the file name correctly, including the subdirectory names.
16#00002007	A verification error occurred.	<ul style="list-style-type: none"> <li>• Check the contents of memory and write the correct data.</li> <li>• Check the contents of the file.</li> </ul>
16#00002101	Access is not possible because the area is read-only.	Execute the command again after clearing the write protection.
16#00002102	The data is protected or the data link table cannot be written.	<ul style="list-style-type: none"> <li>• Execute the command again after clearing the write protection.</li> <li>• Set the system settings in the data link table.</li> </ul>
16#00002103	Registration is not possible.	<ul style="list-style-type: none"> <li>• Create the file after deleting unnecessary files or prepare new file memory.</li> <li>• Execute the command again after closing open files.</li> </ul>
16#00002105	The relevant program number does not exist.	Set a valid program number.
16#00002106	The relevant file does not exist.	Set the file name correctly, including the subdirectory names.
16#00002107	A file with the same name already exists.	Execute the command again after changing the name of the file to write.
16#00002108	The change is not allowed because it causes an error.	Correct the settings.
16#00002201	The operation was not possible because a protocol macros is already in execution.	Use an N.C. program input for the Protocol Macro Execution Flag.
16#00002202	The operating mode is wrong.	Check the operating mode.
16#00002203	The operating mode is wrong for the instruction (PROGRAM mode).	Check the operating mode of the Controller.
16#00002204	The operating mode is wrong for the instruction (DEBUG mode).	Check the operating mode of the Controller.
16#00002205	The operating mode is wrong for the instruction (MONITOR mode).	Check the operating mode of the Controller.
16#00002206	The operating mode is wrong for the instruction (RUN mode).	Check the operating mode of the Controller.
16#00002207	The specified node is not the polling node.	Confirm which node is the polling node of the network.
16#00002208	The operating mode is wrong for the instruction.	Check step activation status.
16#00002211	The Unit is busy.	Increase the number of retries or review the system so that communications traffic is not concentrated on the relevant Unit.
16#00002301	The file device does not exist.	Insert the media. Or, format the EM.
16#00002302	There is no file memory.	Check the file memory device.
16#00002303	There is no built-in clock.	Check the specifications of the model.
16#00002401	A checksum error occurred in the protocol macro data, or the data transfer is not yet completed.	Transfer the protocol macro data from the CX-Protocol again.

Value	Error	Correction
16#00002502	There is an error in the memory.	Transfer the correct data to the memory.
16#00002503	The registered I/O Unit configuration does not agree with the actual Unit configuration.	Check the I/O Unit configuration.
16#00002504	There are too many local or remote I/O points.	Set the number of local and remote I/O points correctly.
16#00002505	An error occurred in a data transmission between the CPU Unit and a CPU Bus Unit.	Check the Units and the connecting cables. After removing the error, execute a command to reset the error.
16#00002506	The same rack number, unit number, or I/O address is set more than once.	Correct the settings so that each number is unique.
16#00002507	An error occurred in a data transmission between the CPU Unit and an I/O Unit.	Check the Units and connecting cables. After removing the error, execute a command to reset the error.
16#00002509	There is an error in SYSMAC BUS/2 data transmission.	Check the Units and connecting cables. After removing the error, execute a command to reset the error.
16#0000250A	An error occurred in a CPU Bus Unit data transmission.	Check the Units and connecting cables. After removing the error, execute a command to reset the error.
16#0000250D	The same channel setting is used more than once.	Set the I/O channels correctly.
16#0000250F	There is an error in memory.	<ul style="list-style-type: none"> <li>For internal memory, execute the command again after writing the correct data.</li> <li>For a Memory Card or EM file memory, execute the expansion memory format command.</li> <li>If the error cannot be reset with the above corrections, replace the memory.</li> </ul>
16#00002510	The end station setting is wrong.	Set the end station correctly.
16#00002601	Protection is already cleared.	You do not need to clear protection.
16#00002602	The password was wrong.	Specify the correct password.
16#00002604	The data is protected.	<ul style="list-style-type: none"> <li>Execute the command again after clearing the write protection.</li> <li>Wait for the service that is currently in execution to end, or stop the service and execute the command again.</li> </ul>
16#00002605	The service is busy.	Wait for the service that is currently in execution to end, or stop the service and execute the command again.
16#00002606	The service is stopped.	Execute the relevant service as required.
16#00002607	You do not have the execution right.	<ul style="list-style-type: none"> <li>Execute the operation from the node that accessed the data link.</li> <li>If the error still occurs after a restart, replace the Controller.</li> </ul>
16#00002608	The environment is not set.	Make the necessary settings.
16#00002609	The required items are not set.	Set the required items.
16#0000260A	The specified number is already defined.	Execute the command again after changing the specified number to an action or transition number that is not already registered.
16#0000260B	The error cannot be reset.	Remove the cause of the error and then execute the error reset command.
16#00003001	You do not have access rights.	Wait for the access to be allowed and then execute the command again.

Value	Error	Correction
16#00004001	The service was interrupted.	Execute the command again after clearing the cause of the service interruption.

**Note** In addition to the codes in the above table, the values of bits 6, 7, and 15 in the end code can be TRUE. If the value of bit 6 or 7 is TRUE, there is an error in the CPU Unit at the destination. If the value of bit 15 is TRUE, an error occurred during a network relay.

## Sample Programming

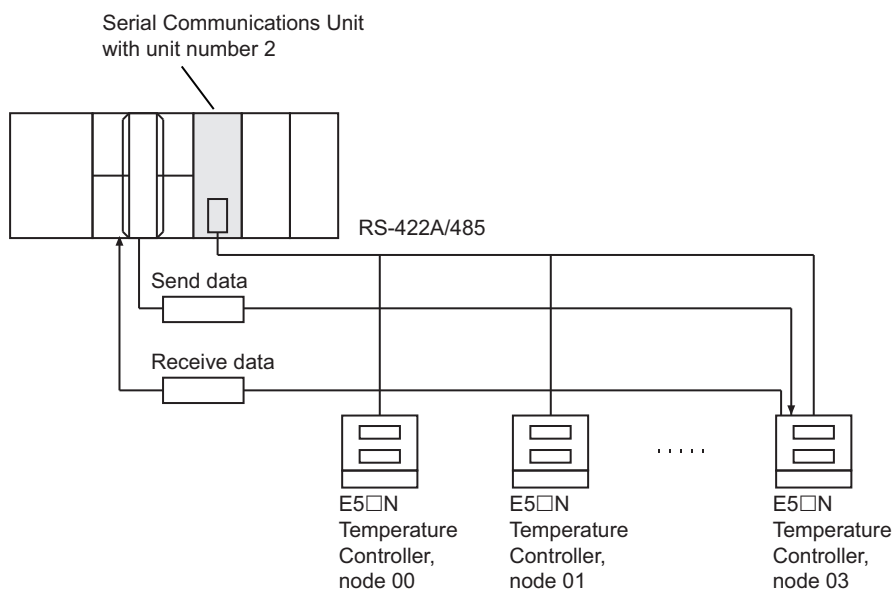
In this sample, a CJ-series Serial Communications Unit is used for data communications with an OMRON Temperature Controller. The present value of the Temperature Controller is read with a protocol macro. CompoWay/F master sequence 610 (Read Variable Area) is used.

The contents of send data array SendData[] is sent from the Controller.

The data received from the Temperature Controller is stored in receive data array RecvData[].

The following communications specifications are used.

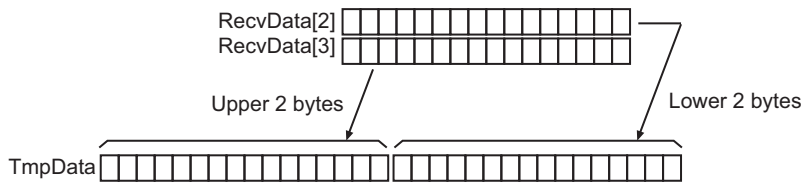
Item	Description
Unit used	Serial Communications Unit
Unit number	2
Port number	1 (RS-422/485)
Communications sequence number	610 (Read Variable Area)
Remote node number	3
Data to read	Present value



The communications data for sequence 610 (Read Variable Area) is allocated as shown below.

Send Data: WORD Array		Receive Data: WORD Array	
SendData[0]	Number of send data words	RecvData[0]	Number of receive data words
SendData[1]	Not used. Node No.	RecvData[1]	Response code
SendData[2]	Variable type	RecvData[2]	Receive data
SendData[3]	Read start address	RecvData[3]	
SendData[4]	Number of elements		

If the data is received successfully, the lower two bytes (RecvData[2]) and the upper two bytes (RecvData[3]) of the present value of the Temperature Controller are assigned to *TmpData*.



## Send data SendData[] and Receive data RecvData[]

The contents of send data SendData[] and receive data RecvData[] are as follows:

### ● Send Data: WORD Array

Variable	Item	Contents	Value
SendData[0]	Number of send data words	Five words from SendData[0] to SendData[4] are sent.	WORD#16#0005
SendData[1]	Node number	Node 3 is used.	WORD#16#0003
SendData[2]	Variable type + Upper byte of read start address	To read the present value, the variable type is BYTE#16#C0 and the read start address is WORD#16#00.	WORD#16#C000
SendData[3]	Lower byte of read start address + BYTE#16#00 (fixed value)		WORD#16#0000
SendData[4]	Number of elements	One element is read.	WORD#16#0001

### ● Receive Data: WORD Array

Variable	Item	Contents	Value
RecvData[0]	Number of receive data words	Four words from RecvData[0] to RecvData[3] are received.	WORD#16#0004
RecvData[1]	Response code	WORD#16#0000 is returned for a normal end.	
RecvData[2]	Receive data	The lower two bytes of the present value of the Temperature Controller are returned.	
RecvData[3]		The upper two bytes of the present value of the Temperature Controller are returned.	

## Definitions of Global Variables

### ● Global Variables

Name	Data type	AT specification*1	Comment
SCU_P1_PmrSeqEndSta	BOOL	IOBus://rack#0/slot#0/P1_PmrSta/P1_PmrSeqEndSta	Sequence End Completion Flag

Name	Data type	AT specification*1	Comment
SCU_P1_PmrSeqAbtSta	BOOL	IOBus://rack#0/slot#0/P1_PmrSta/P1_PmrSeqAbtSta	Sequence Abort Completion Flag
SCU_P1_PmrExecSta	BOOL	IOBus://rack#0/slot#0/P1_PmrSta/P1_PmrExecSta	Protocol Macro Execution Flag

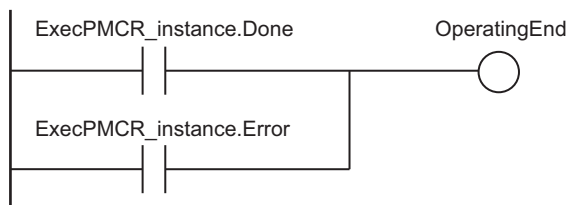
\*1. AT when the Serial Communications Unit is mounted to slot number 0 in rack number 0.

## LD

Internal Variables	Variable	Data type	Initial value	AT	Retain	Comment
	OperatingEnd	BOOL	FALSE		<input type="checkbox"/>	Processing completed
	Trigger	BOOL	FALSE		<input type="checkbox"/>	Execution condition
	Operating	BOOL	FALSE		<input type="checkbox"/>	Processing
	InPort	_sPORT	(UnitNo:=_CBU_No00, PhysicPortNo:=0)		<input type="checkbox"/>	Port settings
	SendData	ARRAY[0..4] OF WORD	[5(16#0)]		<input type="checkbox"/>	Send data
	RecvData	ARRAY[0..3] OF WORD	[4(16#0)]	%D200	<input checked="" type="checkbox"/>	Receive data
	TmpData	DINT	0		<input type="checkbox"/>	Present value
	RS_instance	RS			<input type="checkbox"/>	
	ExecPMCR_instance	ExecPMCR			<input type="checkbox"/>	

External Variables	Variable	Data type	Comment
	SCU_P1_PmrSeqEndSta	BOOL	Sequence End Completion Flag
	SCU_P1_PmrSeqAbtSta	BOOL	Sequence Abort Completion Flag
	SCU_P1_PmrExecSta	BOOL	Protocol Macro Execution Flag
	_Port_isAvailable	BOOL	Network Communications Instruction Enabled Flag

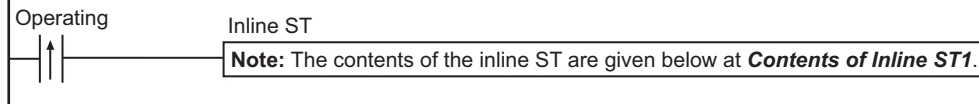
Determine if execution of the ExecPMCR instruction is completed.



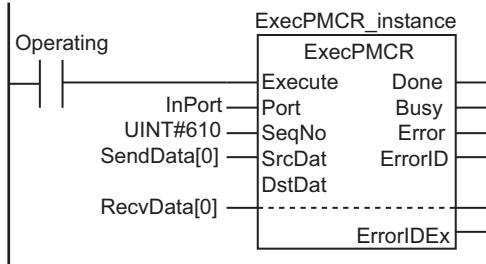
Accept trigger.



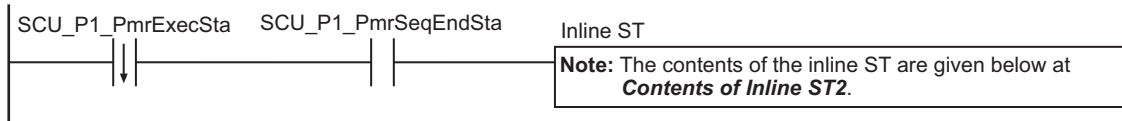
Set communications parameters.



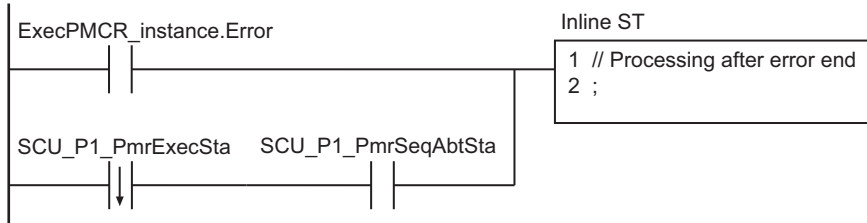
Execute ExecPMCR instruction.



Processing after normal end



Processing after error end



### ● Contents of Inline ST1

```
InPort.UnitNo      :=_CBU_No02;    // Serial Communications Unit with unit number 2
InPort.PhysicPortNo :=USINT#1;     // Port number 1
SendData[0]        :=WORD#16#0005;
SendData[1]        :=WORD#16#0003;
SendData[2]        :=WORD#16#C000;
SendData[3]        :=WORD#16#0000;
SendData[4]        :=WORD#16#0001;
RecvData[0]        :=WORD#16#0004;
```

## ● Contents of Inline ST2

```
// Processing after normal end
TmpData:=DWORD_TO_DINT(SHL(WORD_TO_DWORD(
    RecvData[3]), 16) OR WORD_TO_DWORD(RecvData[2]));
```

## ST

Internal Variables	Variable	Data type	Initial value	AT	Retain	Comment
	State	INT	0		<input type="checkbox"/>	Current state
	Trigger	BOOL	FALSE		<input type="checkbox"/>	Execution condition
	LastTrigger	BOOL	FALSE		<input type="checkbox"/>	Value of Trigger from previous task period
	InPort	_sPORT	(UnitNo:=_CBU_No00, PhysicPortNo:=0)		<input type="checkbox"/>	Port settings
	SendData	ARRAY[0..4] OF WORD	[5(16#0)]		<input type="checkbox"/>	Send data
	RecvData	ARRAY[0..3] OF WORD	[4(16#0)]	%D200	<input checked="" type="checkbox"/>	Receive data
	End_ExecPMCR	BOOL	FALSE		<input type="checkbox"/>	Completion of ExecPMCR instruction execution
	TmpData	DINT	0		<input type="checkbox"/>	Present value
	RS_instance	RS			<input type="checkbox"/>	
	ExecPMCR_instance	ExecPMCR			<input type="checkbox"/>	
	F_TRIG_instance	F_TRIG			<input type="checkbox"/>	

External Variables	Variable	Data type	Comment
	SCU_P1_PmrSeqEndSta	BOOL	Sequence End Completion Flag
	SCU_P1_PmrSeqAbtSta	BOOL	Sequence Abort Completion Flag
	SCU_P1_PmrExecSta	BOOL	Protocol Macro Execution Flag
	_Port_isAvailable	BOOL	Network Communications Instruction Enabled Flag

```
// Accept trigger.
IF (State=INT#0) THEN
    IF ( (Trigger=TRUE) AND (LastTrigger=FALSE) AND (_Port_isAvailable=TRUE) AND (SCU_P1_PmrExecSta<>TRUE)
        AND (ExecPMCR_instance.Busy<>TRUE) ) THEN
        State:=INT#1;
    END_IF;
END_IF;
LastTrigger:=Trigger;
```

```

// Set communications parameters and initialize ExecPMCR instruction.
IF (State=INT#1) THEN
    InPort.UnitNo          :=_CBU_No02;    // Serial Communications Unit with unit
number 2
    InPort.PhysicPortNo   :=USINT#1;      // Port number 1
    SendData[0]           :=WORD#16#0005;
    SendData[1]           :=WORD#16#0003;
    SendData[2]           :=WORD#16#C000;
    SendData[3]           :=WORD#16#0000;
    SendData[4]           :=WORD#16#0001;
    RecvData[0]           :=WORD#16#0004;
    ExecPMCR_instance(
        Execute :=FALSE,          // Initialize ExecPMCR instruction.
        SrcDat  :=SendData[0],    // Dummy
        DstDat  :=RecvData[0]);
    State:=INT#2;
END_IF;
// Execute ExecPMCR instruction.
IF (State=INT#2) THEN
    ExecPMCR_instance(
        Execute :=TRUE,
        Port    :=InPort,
        SeqNo   :=UINT#610,
        SrcDat  :=SendData[0],
        DstDat  :=RecvData[0]);

    F_TRIG_instance(SCU_P1_PmrExecSta, End_ExecPMCR);

    IF (End_ExecPMCR=TRUE) THEN
        End_ExecPMCR:=FALSE;
        State:=INT#3;
    END_IF;

    IF (ExecPMCR_instance.Error=TRUE) THEN
        State:=INT#5;
    END_IF;
END_IF;

// Confirm completion of ExecPMCR instruction execution.
IF (State=INT#3) THEN
    IF (SCU_P1_PmrSeqEndSta=TRUE) THEN
        State:=INT#4;
    END_IF;
    IF (SCU_P1_PmrSeqAbtSta=TRUE) THEN
        State:=INT#5;
    END_IF;

```



```
END_IF;

IF (State=INT#4) THEN
    // Processing after normal end.
    TempData:=DWORD_TO_DINT(SHL(WORD_TO_DWORD(RecvData[3]), 16)
        OR WORD_TO_DWORD(RecvData[2]));
    State:=INT#0;
END_IF;

IF (State=INT#5) THEN
    // Processing after error end
    State:=INT#0;
END_IF;
```

# SerialSend

The SerialSend instruction sends data in No-protocol Mode from a serial port on a Serial Communications Unit.

Instruction	Name	FB/ FUN	Graphic expression	ST expression
SerialSend	SCU Send Serial	FB		SerialSend_instance(Execute, Port, SrcDat, SendSize, Done, Busy, Error, ErrorID, ErrorIDEx);



## Precautions for Correct Use

You cannot use this instruction with NX-series CPU Units.

## Variables

	Meaning	I/O	Description	Valid range	Unit	Default
Port	Destination port	Input	Destination port	---	---	---
SrcDat[] (array)	Send data array		Send data array	Depends on data type.		*1
SendSize	Send data size		Data size to send from SrcDat[]	0 to 256	Bytes	1

\*1. If you omit an input parameter, the default value is not applied. A building error will occur.

	Boo lean	Bit strings					Integers							Real numbers		Times, durations, dates, and text strings				
	BOOL	BYTE	WORD	DWORD	LWORD	USINT	UINT	UDINT	ULINT	SINT	INT	DINT	LINT	REAL	LREAL	TIME	DATE	TOD	DT	STRING
Port		Refer to <i>Function</i> on page 2-1352 for details on the structure <code>_sPORT</code> .																		
SrcDat[] (array)		OK																		
SendSize							OK													

## Function

The SerialSend instruction sends data in No-protocol Mode from the port of the Serial Communications Unit specified with *Port*.

The data to send is contained in SrcDat[] (send data array). The size of the data to send is specified in *SendSize* (send data size).

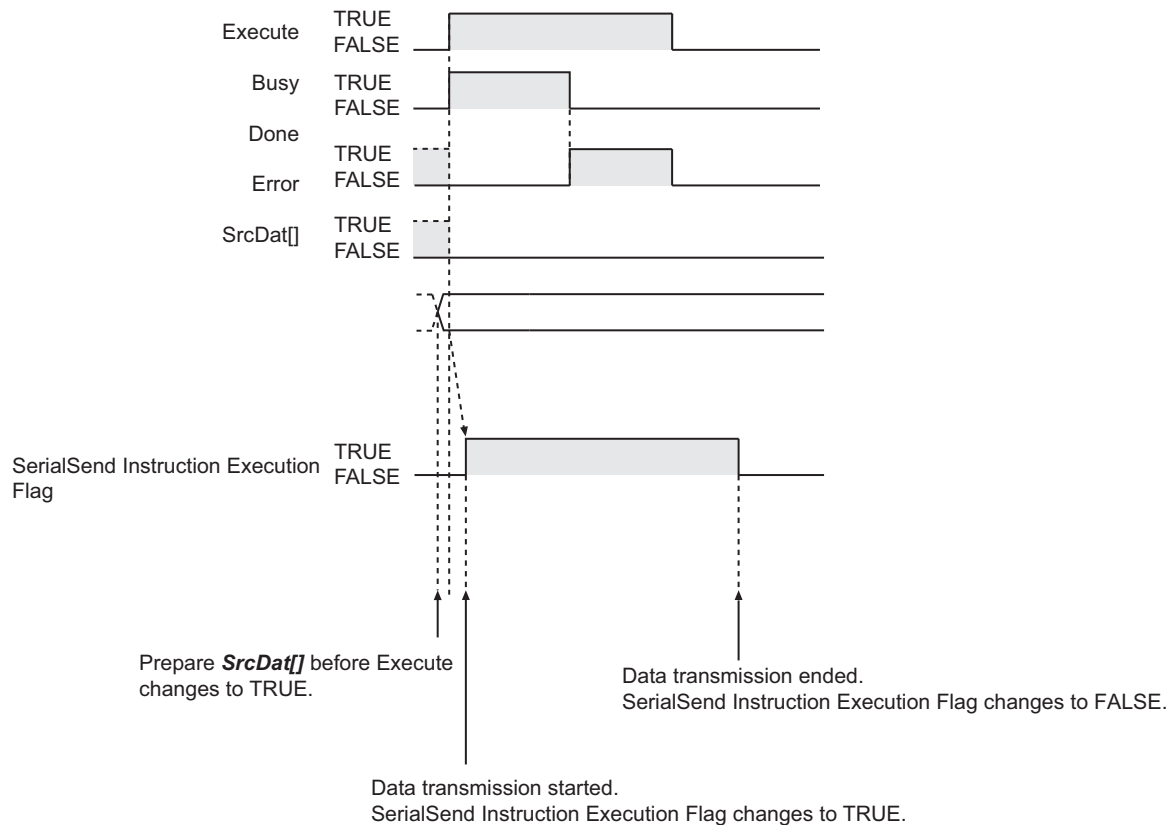
To attach start and end codes to the send data, set them in the DM Area words that are assigned to the Special Unit.

If you add start and end codes, the maximum number of bytes to send is 259 (1-byte start code, 2-byte end code (for CR+LF specification), and 256 bytes of send data).

The data type of destination port *Port* is the structure `_sPORT`. The specifications are as follows:

Name	Meaning	Description	Data type	Valid range	Unit	Default
Port	Destination port	Destination port	<code>_sPORT</code>	---	---	---
UnitNo	Unit number	Unit number of Serial Communications Unit	<code>_eUnitNo</code>	<code>_CBU_No00</code> to <code>_CBU_No15</code>	---	<code>_CBU_No00</code>
PhysicPortNo	Serial port number	Serial port number on Serial Communications Unit	USINT	1 or 2	---	1

The following figure shows a timing chart. Communications are performed to the end after the value of *Done* changes to TRUE.



## Related System-defined Variables

Name	Meaning	Data type	Description
<code>_Port_numUsingPort</code>	Number of Used Ports	USINT	This is the number of ports that are currently used.
<code>_Port_isAvailable</code>	Network Communications Instruction Enabled Flag	BOOL	TRUE: A port is available. FALSE: A port is not available.

## Related Semi-user-defined Variables

Name	Meaning	Data type	Description
P#_NopSerialSendExecSta* <sup>1</sup>	SerialSend Instruction Execution Flag	BOOL	TRUE: Execution of the SerialSend instruction is in progress. FALSE: Execution of the SerialSend instruction is not in progress.
P#_NopStartCodeYNCfg* <sup>1</sup>	No-protocol Start Code Enable	BOOL	TRUE: Start code FALSE: No start code
P#_NopEndCodeYNCfg* <sup>1</sup>	No-protocol End Code Enable	BOOL	TRUE: End code FALSE: No end code
P#_NopCRLFCfg* <sup>1</sup>	No-protocol CR LF Specification	BOOL	TRUE: CR+LF FALSE: No CR+LF
P#_NopStartCodeCfg* <sup>1</sup>	No-protocol Start Code	USINT	16#00 to 16#FF
P#_NopEndCodeCfg* <sup>1</sup>	No-protocol End Code	USINT	16#00 to 16#FF

\*1. "#" denotes the port number on the Serial Communications Unit.

## Additional Information

Refer to the following manual for details on no-protocol communications.

- *CJ-series Serial Communications Units Operation Manual for NJ-series CPU Unit (Cat. No. W494)*

## Precautions for Correct Use

- Execution of this instruction is continued until completed even when the value of *Execute* changes to FALSE or the execution time exceeds the task period. The value of *Done* changes to TRUE when the execution is completed. Use this to confirm normal completion of processing.
- Refer to *Using this Section* on page 2-3 for a timing chart for *Execute*, *Done*, *Busy*, and *Error*.
- You can use this instruction only for a Serial Communications Unit's serial port that is set to No-protocol Mode.
- Nothing is sent if the value of *SendSize* is 0. When the instruction is executed, the value of *Done* changes to TRUE.
- Even when attaching a start or end code, do not include it in the value of *SendSize*.
- The instruction is executed only when there is an available port. Therefore, use the *\_Port\_isAvailable* (Network Communications Instruction Enabled Flag) system-defined variable in an N.O. execution condition for the instruction.
- The instruction is not executed while *Busy* is TRUE. Therefore, use *Busy* in an N.C. execution condition for the instruction.
- You cannot execute this instruction while the SerialSend Instruction Executing Flag (semi-user-defined variable *P#NopSerialSendExecSta*) is TRUE. Use *P#NopSerialSendExecSta* in an N.C. execution condition for the instruction.
- If the instruction is used in ST, make sure that the instruction is processed each task period as long as instruction execution continues. Otherwise, normal processing may not be possible.
- An error occurs in the following cases. *Error* will change to TRUE.
  - a) The serial communications mode is not set to No-protocol Mode when the instruction is executed.
  - b) The value of *\_Port\_isAvailable* is FALSE.
  - c) The value of *Port.UnitNo* or *Port.PhysicPortNo* is outside the valid range.

- d) There is no CJ-series Serial Communications Unit with the specified unit number.
  - e) The value of *SendSize* is outside of the valid range.
  - f) The value of *SendSize* exceeds the size of *SrcDat[]*.
  - g) Communications fail.
  - h) The instruction is executed during a Unit restart.
- For this instruction, expansion error code *ErrorIDEx* gives the communications response code. The values and meanings are listed in the following table. An expansion error code is output to *ErrorIDEx* when the value of error code *ErrorID* is WORD#16#0800.

Value	Error	Correction
16#00000001	The communications service was interrupted.	<ul style="list-style-type: none"> <li>• Check the data link execution status.</li> <li>• Check the capacity of the transfer destination area on the third node.</li> </ul>
16#00000101	The local node is not part of the network.	Make the local node part of the network.
16#00000102	A token timeout occurred.	Set the local node address to be within the maximum node address.
16#00000103	The retry count was exceeded.	Perform inter-node tests. If any error is found, check the operating environment.
16#00000104	The allowable number of send frames was exceeded.	Check the status of events in the network and reduce the number of events in each task period. Or, increase the number of allowable send frames.
16#00000105	The IP address of the local node is out of range.	Set the rotary switches on the Serial Communications Unit correctly.
16#00000106	The IP address of the local node is also used by another node in the network.	Change one of the node addresses that are duplicated.
16#00000201	The remote node is not part of the network.	Make the remote node part of the network.
16#00000202	A Unit with the specified unit address does not exist at the destination.	Correctly set the unit address for the destination network address.
16#00000203	The third node is not part of the network.	<ul style="list-style-type: none"> <li>• Check the address of the Unit that is the third node.</li> <li>• Specify only one node for the third node.</li> </ul>
16#00000204	The remote node is busy.	Increase the number of retries or correct the system so that communications traffic is not concentrated on the remote node.
16#00000205	A response timeout occurred.	Check the settings of the communications parameters.
16#00000206	There is an error in the transmission path.	<ul style="list-style-type: none"> <li>• Attempt retries.</li> <li>• If this error occurs frequently, check for noise.</li> </ul>
16#00000301	A Communications Controller Error occurred.	Refer to the operation manual for the relevant Unit and make suitable corrections.
16#00000302	There is an error in the CPU Unit at the remote node.	Refer to the manual for the CPU Unit at the remote node and remove the error.
16#00000303	There is an error in the relevant Controller and a response is not returned.	Check the communications status on the network and restart the relevant Controller. If the error still occurs, replace the relevant Controller.
16#00000304	The unit number setting is not correct.	Set the rotary switches on the Serial Communications Unit correctly.
16#00000401	The command that was sent is not supported.	Set the command array correctly.

Value	Error	Correction
16#0000402	The Unit model or version is not supported.	Check the Unit model and version.
16#0000501	The remote address setting is wrong.	Set the destination address in the routing tables.
16#0000502	Routing tables are not registered.	Set the source node, destination node, and relay nodes in the routing tables.
16#0000503	There is an error in the routing tables.	Correct the settings in the routing tables.
16#0000504	There are too many relay points.	Restructure the network or correct the routing tables so that commands are used within a three-layer range.
16#00001001	The command is too long.	Set the command array correctly.
16#00001002	The command is too short.	Set the command array correctly.
16#00001003	The number of write elements that is specified in the command does not agree with the number of write data.	Specify the same number of write elements and write data.
16#00001004	The command format is incorrect.	Set the command array correctly.
16#00001005	There is an error in the header.	Correct the settings in the routing tables.
16#00001101	The area type does not exist.	Refer to the command variables and parameter type codes and set the relevant codes.
16#00001102	An access size is wrong.	Correctly set the variable and parameter access sizes.
16#00001103	An out-of-range address was specified.	Specify an address that is within the process range.
16#00001104	The address range was exceeded.	<ul style="list-style-type: none"> <li>Specify an address that is within the process range.</li> <li>Correct the settings in the data link table.</li> </ul>
16#00001106	A communications sequence number that is not registered was specified.	Correct the communications sequence number or add the sequence with the CX-Protocol.
16#00001109	An interrelationship error occurred.	<ul style="list-style-type: none"> <li>Correct the size relationships in the command data.</li> <li>Correct the settings in the data link table.</li> </ul>
16#0000110A	Data is redundant.	<ul style="list-style-type: none"> <li>Cancel the current process or wait for it to be completed before you execute the command.</li> <li>Correct the settings in the data link table.</li> </ul>
16#0000110B	The response is too long.	Set the number of elements in the command array correctly.
16#0000110C	This is another parameter error.	Set the command array correctly.
16#00002002	The data is protected.	Execute the command again after clearing the protection.
16#00002003	There is no registered table.	Set the table correctly.
16#00002004	There is no data that matches the search data.	Set the search data correctly.
16#00002005	The relevant program number does not exist.	Set a valid program number.
16#00002006	The relevant file does not exist.	Set the file name correctly, including the subdirectory names.
16#00002007	A verification error occurred.	<ul style="list-style-type: none"> <li>Check the contents of memory and write the correct data.</li> <li>Check the contents of the file.</li> </ul>
16#00002101	Access is not possible because the area is read-only.	Execute the command again after clearing the write protection.
16#00002102	The data is protected or the data link table cannot be written.	<ul style="list-style-type: none"> <li>Execute the command again after clearing the write protection.</li> <li>Set the system settings in the data link table.</li> </ul>

Value	Error	Correction
16#00002103	Registration is not possible.	<ul style="list-style-type: none"> <li>• Create the file after deleting unnecessary files or prepare new file memory.</li> <li>• Execute the command again after closing open files.</li> </ul>
16#00002105	The relevant program number does not exist.	Set a valid program number.
16#00002106	The relevant file does not exist.	Set the file name correctly, including the subdirectory names.
16#00002107	A file with the same name already exists.	Execute the command again after changing the name of the file to write.
16#00002108	The change is not allowed because it causes an error.	Correct the settings.
16#00002201	The operation was not possible because a protocol macros is already in execution.	Use an N.C. program input for the Protocol Macro Execution Flag.
16#00002202	The operating mode is wrong.	Check the operating mode.
16#00002203	The operating mode is wrong for the instruction (PROGRAM mode).	Check the operating mode of the Controller.
16#00002204	The operating mode is wrong for the instruction (DEBUG mode).	Check the operating mode of the Controller.
16#00002205	The operating mode is wrong for the instruction (MONITOR mode).	Check the operating mode of the Controller.
16#00002206	The operating mode is wrong for the instruction (RUN mode).	Check the operating mode of the Controller.
16#00002207	The specified node is not the polling node.	Confirm which node is the polling node of the network.
16#00002208	The operating mode is wrong for the instruction.	Check step activation status.
16#00002211	The Unit is busy.	Increase the number of retries or review the system so that communications traffic is not concentrated on the relevant Unit.
16#00002301	The file device does not exist.	Insert the media. Or, format the EM.
16#00002302	There is no file memory.	Check the file memory device.
16#00002303	There is no built-in clock.	Check the specifications of the model.
16#00002401	A checksum error occurred in the protocol macro data, or the data transfer is not yet completed.	Transfer the protocol macro data from the CX-Protocol again.
16#00002502	There is an error in the memory.	Transfer the correct data to the memory.
16#00002503	The registered I/O Unit configuration does not agree with the actual Unit configuration.	Check the I/O Unit configuration.
16#00002504	There are too many local or remote I/O points.	Set the number of local and remote I/O points correctly.
16#00002505	An error occurred in a data transmission between the CPU Unit and a CPU Bus Unit.	Check the Units and the connecting cables. After removing the error, execute a command to reset the error.
16#00002506	The same rack number, unit number, or I/O address is set more than once.	Correct the settings so that each number is unique.
16#00002507	An error occurred in a data transmission between the CPU Unit and an I/O Unit.	Check the Units and connecting cables. After removing the error, execute a command to reset the error.

Value	Error	Correction
16#00002509	There is an error in SYSMAC BUS/2 data transmission.	Check the Units and connecting cables. After removing the error, execute a command to reset the error.
16#0000250A	An error occurred in a CPU Bus Unit data transmission.	Check the Units and connecting cables. After removing the error, execute a command to reset the error.
16#0000250D	The same channel setting is used more than once.	Set the I/O channels correctly.
16#0000250F	There is an error in memory.	<ul style="list-style-type: none"> <li>For internal memory, execute the command again after writing the correct data.</li> <li>For a Memory Card or EM file memory, execute the expansion memory format command.</li> <li>If the error cannot be reset with the above corrections, replace the memory.</li> </ul>
16#00002510	The end station setting is wrong.	Set the end station correctly.
16#00002601	Protection is already cleared.	You do not need to clear protection.
16#00002602	The password was wrong.	Specify the correct password.
16#00002604	The data is protected.	<ul style="list-style-type: none"> <li>Execute the command again after clearing the write protection.</li> <li>Wait for the service that is currently in execution to end, or stop the service and execute the command again.</li> </ul>
16#00002605	The service is busy.	Wait for the service that is currently in execution to end, or stop the service and execute the command again.
16#00002606	The service is stopped.	Execute the relevant service as required.
16#00002607	You do not have the execution right.	<ul style="list-style-type: none"> <li>Execute the operation from the node that accessed the data link.</li> <li>If the error still occurs after a restart, replace the Controller.</li> </ul>
16#00002608	The environment is not set.	Make the necessary settings.
16#00002609	The required items are not set.	Set the required items.
16#0000260A	The specified number is already defined.	Execute the command again after changing the specified number to an action or transition number that is not already registered.
16#0000260B	The error cannot be reset.	Remove the cause of the error and then execute the error reset command.
16#00003001	You do not have access rights.	Wait for the access to be allowed and then execute the command again.
16#00004001	The service was interrupted.	Execute the command again after clearing the cause of the service interruption.

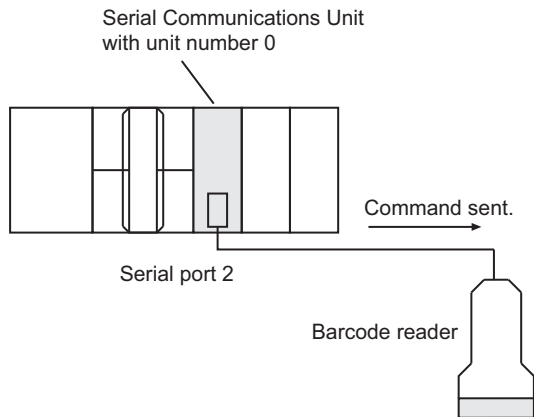
**Note** In addition to the codes in the above table, the values of bits 6, 7, and 15 in the end code can be TRUE. If the value of bit 6 or 7 is TRUE, there is an error in the CPU Unit at the destination. If the value of bit 15 is TRUE, an error occurred during a network relay.

## Sample Programming

In this sample, a no-protocol command is sent to the barcode reader that is connected to serial port 2 of a CJ-series Serial Communications Unit (unit number 0, device name 'Barcode'). The scene number acquisition command (@READ) is sent.

The send data is the contents of the array variable SendDat[]. There is no start code and the end code is 16#OD (CR).

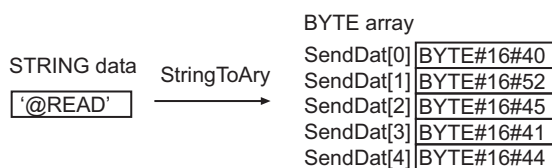




The settings of Serial Communications Unit are given in the following table.

Item	Set value
Port 2: User-specified Setting Inclusion	User settings
Port 2: Serial Communications Mode	No-protocol
Port 2: Data Length	8 bits
Port 2: Stop Bits	1 bit
Port 2: Parity	No
Port 2: Baud Rate	38,400 bps
Port 2: No-Protocol End Code	D
Port 2: No-Protocol Start Code Inclusion Setting	No
Port 2: No-Protocol End Code Inclusion Setting	Yes (Specify a desired end code.)

The text string '@READ' is separated into individual characters and the character codes are stored in the array elements of SendDat[]. Therefore, BYTE#16#40 (@) is stored in SendDat[0], BYTE#16#52(R) is stored in SendData[1], etc. The StringToAry instruction is used to store the character codes.



## Definitions of Global Variables

### ● Global Variables

Name	Data type	AT specification*1	Comment
Barcode_P2_NopSerialSendExecSta	BOOL	IOBus://rack#0/slot#0/P2_NopSta/P2_NopSerialSendExecSta	SerialSend Instruction Execution Flag

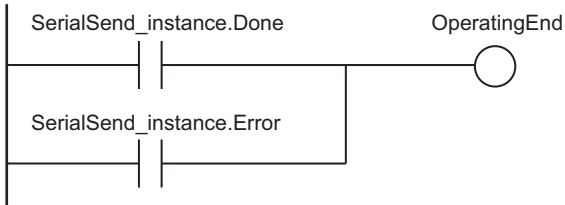
\*1. AT when the Serial Communications Unit is mounted to slot number 0 in rack number 0.

# LD

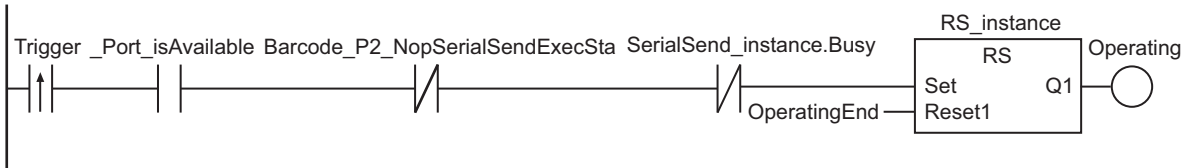
Internal Variables	Variable	Data type	Initial value	Comment
	OperatingEnd	BOOL	FALSE	Processing completed
	Trigger	BOOL	FALSE	Execution condition
	Operating	BOOL	FALSE	Processing
	InPort	_sPORT	(UnitNo:=_CBU_No00, PhysicPortNo:=0)	Port settings
	SendDat	ARRAY[0..4] OF BYTE	[5(16#0)]	Send data
	RS_instance	RS		
	SerialSend_instance	SerialSend		

External Variables	Variable	Data type	Comment
	_Port_isAvailable	BOOL	Network Communications Instruction Enabled Flag
	Barcode_P2_NopSerialSendExecSta	BOOL	SerialSend Instruction Execution Flag

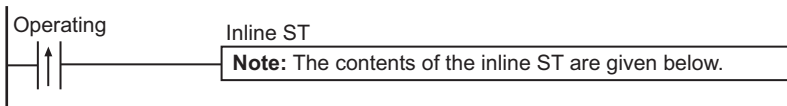
Determine if execution of the SerialSend instruction is completed.



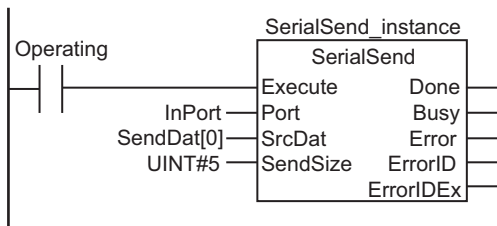
Accept trigger.



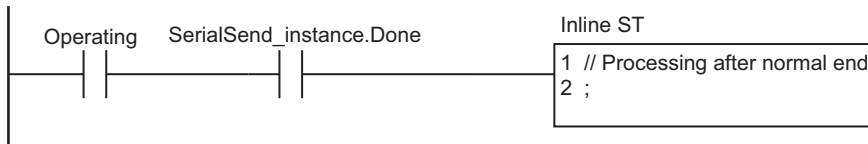
Set communications parameters.



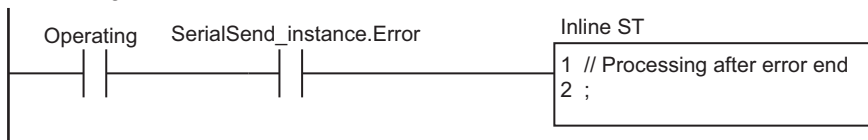
Execute SerialSend instruction.



Processing after normal end



Processing after error end



## ● Contents of Inline ST

```
StringToArray(In:='@READ', AryOut:=SendDat[0]); // Prepare SendDat[].
InPort.UnitNo      :=_CBU_No00; // Serial Communications Unit with
unit number 0
InPort.PhysicPortNo:=USINT#2; // Serial port 2
```

## ST

Internal Variables	Variable	Data type	Initial value	Comment
	Trigger	BOOL	FALSE	Execution condition
	LastTrigger	BOOL	FALSE	Value of Trigger from previous task period
	OperatingStart	BOOL	FALSE	Processing started
	Operating	BOOL	FALSE	Processing
	InPort	_sPORT	(UnitNo:=_CBU_No00, PhysicPortNo:=0)	Port settings
	SendDat	ARRAY[0..4] OF BYTE	[5(16#0)]	Send data
	SerialSend_instance	SerialSend		

External Variables	Variable	Data type	Comment
	_Port_isAvailable	BOOL	Network Communications Instruction Enabled Flag
	Barcode_P2_NopSerialSendExecSta	BOOL	SerialSend Instruction Execution Flag

```

// Detect when Trigger changes to TRUE.
IF ( (Trigger=TRUE) AND (LastTrigger=FALSE) AND (_Port_isAvailable=TRUE)
      AND (Barcode_P2_NopSerialSendExecSta=FALSE) AND (SerialSend_instance.Busy=FALSE) ) THEN
    OperatingStart:=TRUE;
    Operating      :=TRUE;
END_IF;
LastTrigger:=Trigger;

// Set communications parameters and initialize SerialSend instruction.
IF (OperatingStart=TRUE) THEN
    SerialSend_instance(
        Execute:=FALSE,
        SrcDat :=SendDat[0]);
    StringToAry(In:='@READ', AryOut:=SendDat[0]);
    InPort.UnitNo      :=_CBU_No00;           // Serial Communications Unit with unit number 0
    InPort.PhysicPortNo:=USINT#2;           // Serial port 2
    OperatingStart     :=FALSE;
END_IF;

// Execute SerialSend instruction.
IF (Operating=TRUE) THEN
    SerialSend_instance(
        Execute :=TRUE,
        Port    :=InPort,           // Port settings
        SrcDat  :=SendDat[0],       // Send data
        SendSize:=UINT#5);         // Send data size

    IF (SerialSend_instance.Done=TRUE) THEN
        // Processing after normal end
        Operating:=FALSE;
    END_IF;

    IF (SerialSend_instance.Error=TRUE) THEN
        // Processing after error end
        Operating:=FALSE;
    END_IF;
END_IF;

```

# SerialRcv and SerialRcvNoClear

The SerialRcv and SerialRcvNoClear instructions receive data in No-protocol Mode from a serial port on a Serial Communications Unit.

SerialRcv : Clears the receive buffer after reading the data.

SerialRcvNoClear : Does not clear the receive buffer after reading the data.

Instruction	Name	FB/ FUN	Graphic expression	ST expression
SerialRcv	SCU Receive Serial	FB		SerialRcv_instance(Execute, Port, Size, DstDat, Done, Busy, Error, ErrorID, ErrorIDEx, RcvSize);
SerialRcvNoClear	SCU Receive Serial without Receive Buffer Clear	FB		SerialRcvNoClear_instance(Execute, Port, Size, DstDat, Done, Busy, Error, ErrorID, ErrorIDEx, RcvSize);



## Precautions for Correct Use

You cannot use these instructions with NX-series CPU Units.



## Version Information

A CPU Unit with unit version 1.03 or later, Sysmac Studio version 1.04 or higher, and a Serial Communications Unit with unit version 2.1 or later are required to use the SerialRcvNoClear instruction.

## Variables

	Meaning	I/O	Description	Valid range	Unit	Default
Port	Destination port	Input	Destination port	---	---	---
Size	Receive data size		Size of receive data stored in DstDat[]	0 to 256	Bytes	1
DstDat[] (array)	Receive data array	In-out	Receive data array	Depends on data type.	---	---
RcvSize	Receive data storage size	Output	Size of receive data that was actually stored in DstDat[]	0 to 256	Bytes	---

	Boo lean	Bit strings				Integers							Real num- bers		Times, durations, dates, and text strings					
	BOOL	BYTE	WORD	DWORD	LWORD	USINT	UINT	UDINT	ULINT	SINT	INT	DINT	LINT	REAL	LREAL	TIME	DATE	TOD	DT	STRING
Port	Refer to <i>Data Types of Destination Port Port</i> on page 2-1365 for details on the structure <code>_sPORT</code> .																			
Size							OK													
DstDat[] (ar- ray)		OK																		
RcvSize							OK													

## Function

First, data which is received in No-protocol Mode from the serial port specified with *Port* is stored in the receive buffer in the Serial Communications Unit.

The SerialRcv and SerialRcvNoClear instructions transfer data of the size specified with *Size* (receive data size ) from the receive buffer to DstDat[] (receive data array).

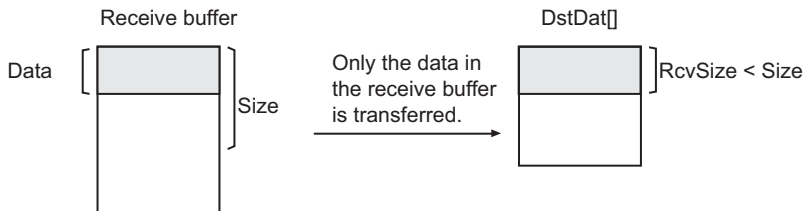
After the data is transferred, the number of array elements that was actually stored in DstDat[] is assigned to *RcvSize* (receive data storage size).

If the size of data in the receive buffer is smaller than *Size*, all of the data in the receive buffer is transferred to DstDat[]. The size of the data which was actually transferred and stored in DstDat[] is assigned to *RcvSize*.

When the Data In the Receive Buffer Is the Same or Larger than *Size*



When the Data In the Receive Buffer Is Less than *Size*



## Start Code and End Code in Receive Data

Device variables are used in the user program to recognize the start code and end code in the receive data. The start and end codes are deleted from the receive data before it is stored in DstDat[].

Code to attach	Device variable for port 1	Value
Specified start code	P1_NopStartCodeYNCfg	TRUE
	P1_NopStartCodeCfg	Start code (16#00 to 16#FF)
Specified end code	P1_NopEndCodeYNCfg	TRUE
	P1_NopCRLFCfg	FALSE
	P1_NopEndCodeCfg	End code (16#00 to 16#FF)
CR+LF as end code	P1_NopEndCodeYNCfg	TRUE
	P1_NopCRLFCfg	TRUE

If you add start and end codes, the maximum number of bytes to receive is 259 (1-byte start code, 2-byte end code (for CR+LF specification), and 256 bytes of send data).

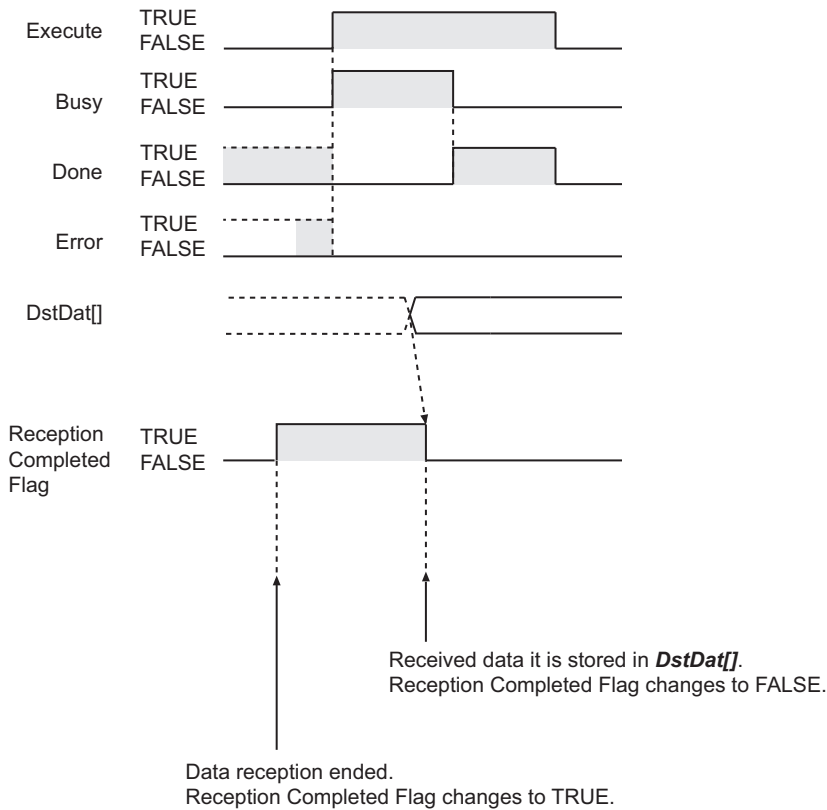
## Data Types of Destination Port *Port*

The data type of destination port *Port* is the structure `_sPORT`. The specifications are as follows:

Name	Meaning	Description	Data type	Valid range	Unit	Default
Port	Destination port	Destination port	<code>_sPORT</code>	---	---	---
UnitNo	Unit number	Unit number of Serial Communications Unit	<code>_eUnitNo</code>	<code>_CBU_No00</code> to <code>_CBU_No15</code>	---	<code>_CBU_No00</code>
PhysicPortNo	Serial port number	Serial port number on Serial Communications Unit	USINT	1 or 2	---	1

## Timing Chart

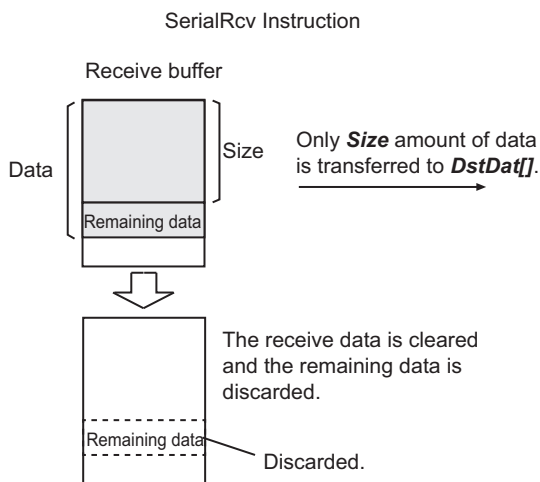
The following figure shows a timing chart.



## Difference between the SerialRcv and SerialRcvNoClear Instructions

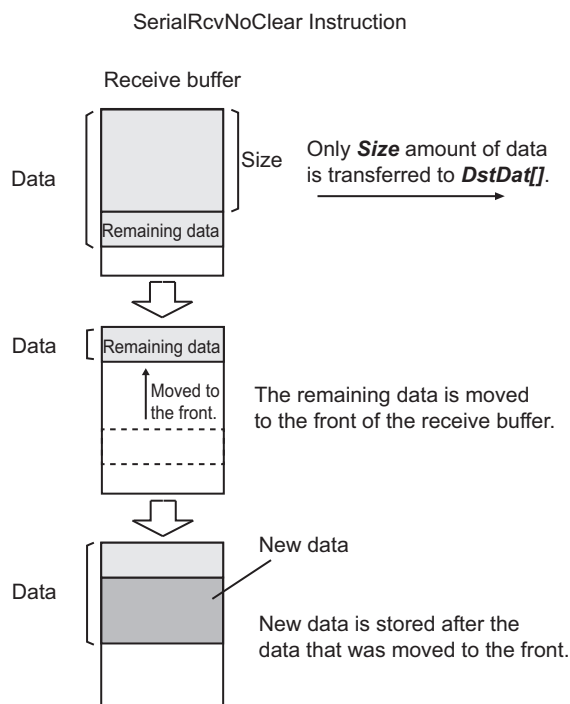
The SerialRcv and SerialRcvNoClear instructions are different in whether the receive buffer is cleared after data is transferred from the receive buffer to DstDat[].

The SerialRcv instruction clears the receive buffer after it transfers the data. Therefore, if the data in the receive buffer is larger than *Size*, the excess data will be left in the buffer and then discarded after the transfer.



The SerialRcvNoClear instruction clears only the data that was transferred after the data transfer. The data that remains in the receive buffer is moved to the front of the receive buffer. If new data enters the receive buffer after that, it is stored after the data that was moved to the front of the buffer.





## Related System-defined Variables

Name	Meaning	Data type	Description
_Port_numUsingPort	Number of Used Ports	USINT	This is the number of ports that are currently used.
_Port_isAvailable	Network Communications Instruction Enabled Flag	BOOL	TRUE: A port is available. FALSE: A port is not available.

## Related Semi-user-defined Variables

Name	Meaning	Data type	Description
P#_NopRcvOvfSta* <sup>1</sup>	Reception Overflow Flag	BOOL	TRUE: The Unit received more than the specified amount of data. (i.e., data was received after the Reception Completed Flag changed to TRUE.) FALSE: The Unit did no receive more than the specified number of bytes.
P#_NopRcvCompleteSta* <sup>1</sup>	Reception Completed Flag	BOOL	TRUE: Reception was completed. FALSE: No data received or currently receiving data.
P#_NopRcvCntSta* <sup>1</sup>	Reception Counter	UINT	16#0000 to 16#0100: Number of bytes of receive data
P#_NopStartCodeYNCfg* <sup>1</sup>	No-protocol Start Code Enable	BOOL	TRUE: Start code FALSE: None
P#_NopEndCodeYNCfg* <sup>1</sup>	No-protocol End Code Enable	BOOL	TRUE: End code FALSE: None
P#_NopCRLFCfg* <sup>1</sup>	No-protocol CR LF Specification	BOOL	TRUE: CR+LF FALSE: No CR+LF

Name	Meaning	Data type	Description
P#_NopRcvDatSzCfg <sup>*1</sup>	Number of No-protocol Receive Data Bytes	USINT	16#01 to 16#FF: 1 to 255 bytes 16#00: 256 bytes
P#_NopStartCodeCfg <sup>*1</sup>	No-protocol Start Code	USINT	16#00 to 16#FF
P#_NopEndCodeCfg <sup>*1</sup>	No-protocol End Code	USINT	16#00 to 16#FF
P#_TransErr <sup>*1</sup>	Transmission Error	BOOL	TRUE: Error occurred. FALSE: No error occurred.
P#_OverRunErr <sup>*1</sup>	Overrun Error	BOOL	TRUE: Error occurred. FALSE: No error occurred.

\*1. "#" denotes the port number on the Serial Communications Unit.

## Additional Information

- *P#\_NopRcvCompleteSta* (Reception Completed Flag) changes to TRUE when the following occur.
  - a) The size of received data has reached the size specified with *P#\_NopRcvDatSzCfg* (Number of No-protocol Receive Data Bytes).
  - b) The specified end code is received.
  - c) A total of 256 bytes of data is received.
- *P#\_NopRcvOvfSta* (Reception Overflow Flag) changes to TRUE when the following occur.
  - a) While *P#\_NopRcvCompleteSta* (Reception Completed Flag) is TRUE, further data is received before the *SerialRcv* or *SerialRcvNoClear* instruction is executed.
  - b) The size of received data has exceeded the size specified with *P#\_NopRcvDatSzCfg* (Number of No-protocol Receive Data Bytes).
- Refer to the *CJ-series Serial Communications Units Operation Manual for NJ-series CPU Unit (Cat. No. W494)* for details on no-protocol communications.

## Precautions for Correct Use

- Execution of this instruction is continued until completed even when the value of *Execute* changes to FALSE or the execution time exceeds the task period. The value of *Done* changes to TRUE when the execution is completed. Use this to confirm normal completion of processing.
- Refer to *Using this Section* on page 2-3 for a timing chart for *Execute*, *Done*, *Busy*, and *Error*.
- Execute these instructions while *P#\_NopRcvCompleteSta* (Reception Completed Flag) is TRUE.
- When data is received, always execute this instruction to transfer the data in the receive buffer to *DstDat[]*. No more data is received until the previous data is transferred.
- Once the size of received data reaches 259 bytes, no more data is received automatically. If further data is received before the *SerialRcv* or *SerialRcvNoClear* instruction is executed, *P#\_OverRunErr* (Overrun Error) changes to TRUE.
- When a start code or end code is attached, do not include it in the value of *Size*.
- You can use this instruction only for a Serial Communications Unit's serial port that is set to No-protocol Mode.
- If the value of *Size* is 0, the data in the receive buffer is not transferred to *DstDat[]*. In this case, *P#\_NopRcvCompleteSta* (Reception Completed Flag) and *P#\_NopRcvOvfSta* (Reception Overflow Flag) will change to FALSE. And the value of *P#\_NopRcvCntSta* (Reception Counter) will be 0.
- The instruction is executed only when there is an available port. Therefore, use the *\_Port\_isAvailable* (Network Communications Instruction Enabled Flag) system-defined variable in an N.O. execution condition for the instruction.

- The instruction is not executed while *Busy* is TRUE. Therefore, use *Busy* in an N.C. execution condition for the instruction.
- If the instruction is used in ST, make sure that the instruction is processed each task period as long as instruction execution continues. Otherwise, normal processing may not be possible.
- The receive buffer in the Serial Communications Unit is cleared when the SerialRcv instruction is executed. Therefore, you cannot separate the data in the receive buffer to transfer it to DstDat[.].
- As for the SerialRcv instruction, if the size of received data exceeds the value of *Size*, the excess data will be discarded when another SerialRcv instruction is executed.
- An error will occur in the following cases. *Error* will change to TRUE.
  - a) The serial communications mode is not set to No-protocol Mode when the instruction is executed.
  - b) The value of *\_Port\_isAvailable* is FALSE.
  - c) The value of *Port.UnitNo* or *Port.PhysicPortNo* is outside the valid range.
  - d) There is no CJ-series Serial Communications Unit with the specified unit number.
  - e) The value of *Size* is outside the valid range.
  - f) The value of *Size* exceeds the size of DstDat[.].
  - g) Communications fail.
  - h) The instruction is executed during a Unit restart.
- For this instruction, expansion error code *ErrorIDEx* gives the communications response code. The values and meanings are listed in the following table. An expansion error code is output to *ErrorIDEx* when the value of error code *ErrorID* is WORD#16#0800.

Value	Error	Correction
16#00000001	The communications service was interrupted.	<ul style="list-style-type: none"> <li>• Check the data link execution status.</li> <li>• Check the capacity of the transfer destination area on the third node.</li> </ul>
16#00000101	The local node is not part of the network.	Make the local node part of the network.
16#00000102	A token timeout occurred.	Set the local node address to be within the maximum node address.
16#00000103	The retry count was exceeded.	Perform inter-node tests. If any error is found, check the operating environment.
16#00000104	The allowable number of send frames was exceeded.	Check the status of events in the network and reduce the number of events in each task period. Or, increase the number of allowable send frames.
16#00000105	The IP address of the local node is out of range.	Set the rotary switches on the Serial Communications Unit correctly.
16#00000106	The IP address of the local node is also used by another node in the network.	Change one of the node addresses that are duplicated.
16#00000201	The remote node is not part of the network.	Make the remote node part of the network.
16#00000202	A Unit with the specified unit address does not exist at the destination.	Correctly set the unit address for the destination network address.
16#00000203	The third node is not part of the network.	<ul style="list-style-type: none"> <li>• Check the address of the Unit that is the third node.</li> <li>• Specify only one node for the third node.</li> </ul>
16#00000204	The remote node is busy.	Increase the number of retries or correct the system so that communications traffic is not concentrated on the remote node.
16#00000205	A response timeout occurred.	Check the settings of the communications parameters.

Value	Error	Correction
16#00000206	There is an error in the transmission path.	<ul style="list-style-type: none"> <li>Attempt retries.</li> <li>If this error occurs frequently, check for noise.</li> </ul>
16#00000301	A Communications Controller Error occurred.	Refer to the operation manual for the relevant Unit and make suitable corrections.
16#00000302	There is an error in the CPU Unit at the remote node.	Refer to the manual for the CPU Unit at the remote node and remove the error.
16#00000303	There is an error in the relevant Controller and a response is not returned.	Check the communications status on the network and restart the relevant Controller. If the error still occurs, replace the relevant Controller.
16#00000304	The unit number setting is not correct.	Set the rotary switches on the Serial Communications Unit correctly.
16#00000401	The command that was sent is not supported.	Set the command array correctly.
16#00000402	The Unit model or version is not supported.	Check the Unit model and version.
16#00000501	The remote address setting is wrong.	Set the destination address in the routing tables.
16#00000502	Routing tables are not registered.	Set the source node, destination node, and relay nodes in the routing tables.
16#00000503	There is an error in the routing tables.	Correct the settings in the routing tables.
16#00000504	There are too many relay points.	Restructure the network or correct the routing tables so that commands are used within a three-layer range.
16#00001001	The command is too long.	Set the command array correctly.
16#00001002	The command is too short.	Set the command array correctly.
16#00001003	The number of write elements that is specified in the command does not agree with the number of write data.	Specify the same number of write elements and write data.
16#00001004	The command format is incorrect.	Set the command array correctly.
16#00001005	There is an error in the header.	Correct the settings in the routing tables.
16#00001101	The area type does not exist.	Refer to the command variables and parameter type codes and set the relevant codes.
16#00001102	An access size is wrong.	Correctly set the variable and parameter access sizes.
16#00001103	An out-of-range address was specified.	Specify an address that is within the process range.
16#00001104	The address range was exceeded.	<ul style="list-style-type: none"> <li>Specify an address that is within the process range.</li> <li>Correct the settings in the data link table.</li> </ul>
16#00001106	A communications sequence number that is not registered was specified.	Correct the communications sequence number or add the sequence with the CX-Protocol.
16#00001109	An interrelationship error occurred.	<ul style="list-style-type: none"> <li>Correct the size relationships in the command data.</li> <li>Correct the settings in the data link table.</li> </ul>
16#0000110A	Data is redundant.	<ul style="list-style-type: none"> <li>Cancel the current process or wait for it to be completed before you execute the command.</li> <li>Correct the settings in the data link table.</li> </ul>
16#0000110B	The response is too long.	Set the number of elements in the command array correctly.
16#0000110C	This is another parameter error.	Set the command array correctly.
16#00002002	The data is protected.	Execute the command again after clearing the protection.
16#00002003	There is no registered table.	Set the table correctly.

Value	Error	Correction
16#00002004	There is no data that matches the search data.	Set the search data correctly.
16#00002005	The relevant program number does not exist.	Set a valid program number.
16#00002006	The relevant file does not exist.	Set the file name correctly, including the subdirectory names.
16#00002007	A verification error occurred.	<ul style="list-style-type: none"> <li>• Check the contents of memory and write the correct data.</li> <li>• Check the contents of the file.</li> </ul>
16#00002101	Access is not possible because the area is read-only.	Execute the command again after clearing the write protection.
16#00002102	The data is protected or the data link table cannot be written.	<ul style="list-style-type: none"> <li>• Execute the command again after clearing the write protection.</li> <li>• Set the system settings in the data link table.</li> </ul>
16#00002103	Registration is not possible.	<ul style="list-style-type: none"> <li>• Create the file after deleting unnecessary files or prepare new file memory.</li> <li>• Execute the command again after closing open files.</li> </ul>
16#00002105	The relevant program number does not exist.	Set a valid program number.
16#00002106	The relevant file does not exist.	Set the file name correctly, including the subdirectory names.
16#00002107	A file with the same name already exists.	Execute the command again after changing the name of the file to write.
16#00002108	The change is not allowed because it causes an error.	Correct the settings.
16#00002201	The operation was not possible because a protocol macros is already in execution.	Use an N.C. program input for the Protocol Macro Execution Flag.
16#00002202	The operating mode is wrong.	Check the operating mode.
16#00002203	The operating mode is wrong for the instruction (PROGRAM mode).	Check the operating mode of the Controller.
16#00002204	The operating mode is wrong for the instruction (DEBUG mode).	Check the operating mode of the Controller.
16#00002205	The operating mode is wrong for the instruction (MONITOR mode).	Check the operating mode of the Controller.
16#00002206	The operating mode is wrong for the instruction (RUN mode).	Check the operating mode of the Controller.
16#00002207	The specified node is not the polling node.	Confirm which node is the polling node of the network.
16#00002208	The operating mode is wrong for the instruction.	Check step activation status.
16#00002211	The Unit is busy.	Increase the number of retries or review the system so that communications traffic is not concentrated on the relevant Unit.
16#00002301	The file device does not exist.	Insert the media. Or, format the EM.
16#00002302	There is no file memory.	Check the file memory device.
16#00002303	There is no built-in clock.	Check the specifications of the model.
16#00002401	A checksum error occurred in the protocol macro data, or the data transfer is not yet completed.	Transfer the protocol macro data from the CX-Protocol again.

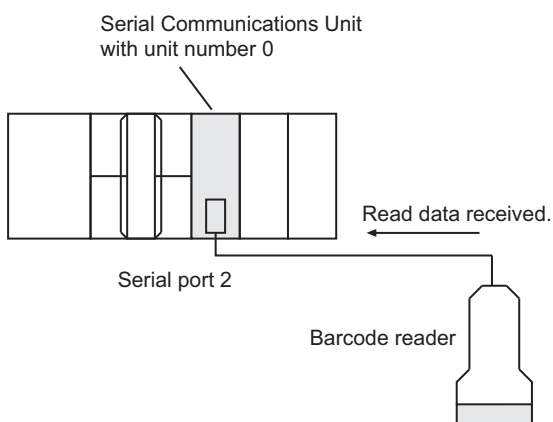
Value	Error	Correction
16#00002502	There is an error in the memory.	Transfer the correct data to the memory.
16#00002503	The registered I/O Unit configuration does not agree with the actual Unit configuration.	Check the I/O Unit configuration.
16#00002504	There are too many local or remote I/O points.	Set the number of local and remote I/O points correctly.
16#00002505	An error occurred in a data transmission between the CPU Unit and a CPU Bus Unit.	Check the Units and the connecting cables. After removing the error, execute a command to reset the error.
16#00002506	The same rack number, unit number, or I/O address is set more than once.	Correct the settings so that each number is unique.
16#00002507	An error occurred in a data transmission between the CPU Unit and an I/O Unit.	Check the Units and connecting cables. After removing the error, execute a command to reset the error.
16#00002509	There is an error in SYSMAC BUS/2 data transmission.	Check the Units and connecting cables. After removing the error, execute a command to reset the error.
16#0000250A	An error occurred in a CPU Bus Unit data transmission.	Check the Units and connecting cables. After removing the error, execute a command to reset the error.
16#0000250D	The same channel setting is used more than once.	Set the I/O channels correctly.
16#0000250F	There is an error in memory.	<ul style="list-style-type: none"> <li>For internal memory, execute the command again after writing the correct data.</li> <li>For a Memory Card or EM file memory, execute the expansion memory format command.</li> <li>If the error cannot be reset with the above corrections, replace the memory.</li> </ul>
16#00002510	The end station setting is wrong.	Set the end station correctly.
16#00002601	Protection is already cleared.	You do not need to clear protection.
16#00002602	The password was wrong.	Specify the correct password.
16#00002604	The data is protected.	<ul style="list-style-type: none"> <li>Execute the command again after clearing the write protection.</li> <li>Wait for the service that is currently in execution to end, or stop the service and execute the command again.</li> </ul>
16#00002605	The service is busy.	Wait for the service that is currently in execution to end, or stop the service and execute the command again.
16#00002606	The service is stopped.	Execute the relevant service as required.
16#00002607	You do not have the execution right.	<ul style="list-style-type: none"> <li>Execute the operation from the node that accessed the data link.</li> <li>If the error still occurs after a restart, replace the Controller.</li> </ul>
16#00002608	The environment is not set.	Make the necessary settings.
16#00002609	The required items are not set.	Set the required items.
16#0000260A	The specified number is already defined.	Execute the command again after changing the specified number to an action or transition number that is not already registered.
16#0000260B	The error cannot be reset.	Remove the cause of the error and then execute the error reset command.
16#00003001	You do not have access rights.	Wait for the access to be allowed and then execute the command again.

Value	Error	Correction
16#00004001	The service was interrupted.	Execute the command again after clearing the cause of the service interruption.

**Note** In addition to the codes in the above table, the values of bits 6, 7, and 15 in the end code can be TRUE. If the value of bit 6 or 7 is TRUE, there is an error in the CPU Unit at the destination. If the value of bit 15 is TRUE, an error occurred during a network relay.

## Sample Programming

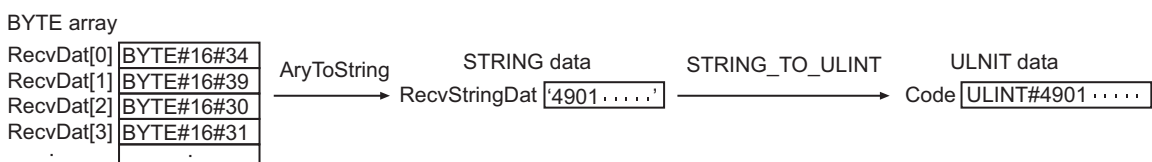
In this sample, data that was read by the barcode reader that is connected to serial port 2 of a CJ-series Serial Communications Unit (unit number 0, device name 'Barcode') is received. The receive data is stored in array variable RecvDat[]. There is no start code and the end code is 16#0D (CR).



The settings of Serial Communications Unit are given in the following table.

Item	Set value
Port 2: User-specified Setting Inclusion	User settings
Port 2: Serial Communications Mode	No-protocol
Port 2: Data Length	8 bits
Port 2: Stop Bits	1 bit
Port 2: Parity	No
Port 2: Baud Rate	38,400 bps
Port 2: No-Protocol End Code	D
Port 2: No-Protocol Start Code Inclusion Setting	No
Port 2: No-Protocol End Code Inclusion Setting	Yes (Specify a desired end code.)

The number from the barcode reader is separated into individual characters and bit strings for the character codes are stored in RecvDat[]. One element of the RecvDat[] array corresponds to one character from the barcode. First, the AryToString instruction is used to convert the data to a text string, *RecvStringDat*. Next, the STRING\_TO\_ULINT instruction is used to convert the data to an ULINT integer, *Code*.



## Definitions of Global Variables

### ● Global Variables

Name	Data type	AT specification*1	Comment
Barcode_P2_NopRcvCompleteSta	BOOL	IOBus://rack#0/slot#0/P2_NopSta/ P2_NopRcvCompleteSta	Reception Completed Flag

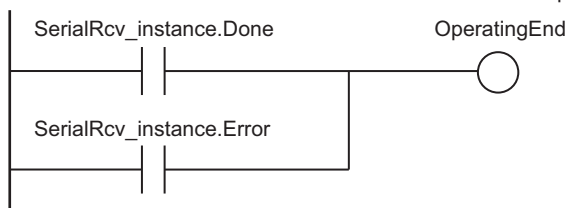
\*1. AT when the Serial Communications Unit is mounted to slot number 0 in rack number 0.

## LD

Internal Variables	Variable	Data type	Initial value	Comment
	OperatingEnd	BOOL	FALSE	Processing completed
	Trigger	BOOL	FALSE	Execution condition
	Operating	BOOL	FALSE	Processing
	InPort	_sPORT	(UnitNo:=_CBU_No00, PhysicPortNo:=0)	Port settings
	RecvDat	ARRAY[0..12] OF BYTE	[13(16#0)]	Receive data
	RecvSize	UINT	0	Receive data size
	RecvStringDat	STRING[255]	"	Barcode text string
	Code	ULINT	0	Barcode integer
	RS_instance	RS		
	SerialRcv_instance	SerialRcv		

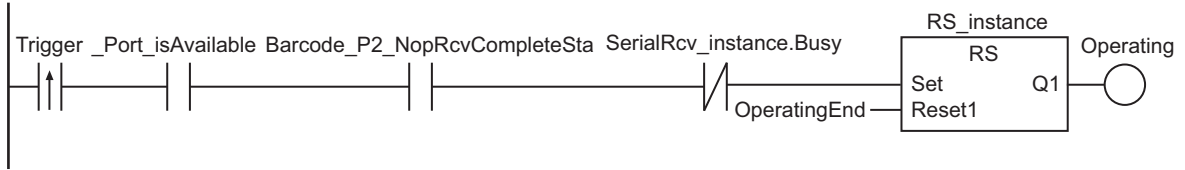
External Variables	Variable	Data type	Comment
	_Port_isAvailable	BOOL	Network Communications Instruction Enabled Flag
	Barcode_P2_NopRcvCompleteSta	BOOL	Reception Completed Flag

Determine if execution of the SerialRcv instruction is completed.

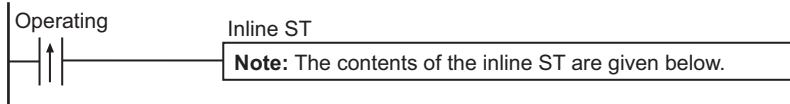




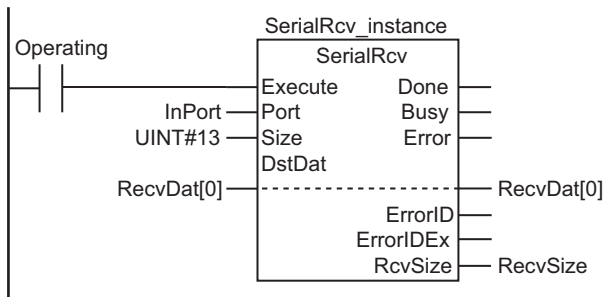
Accept trigger.



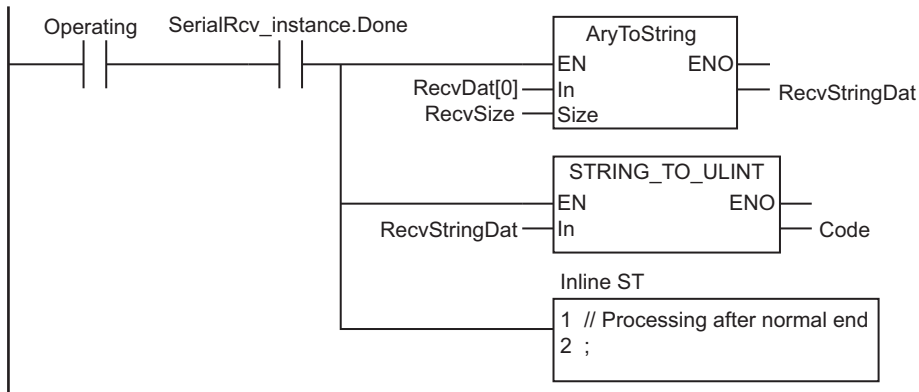
Set communications parameters.



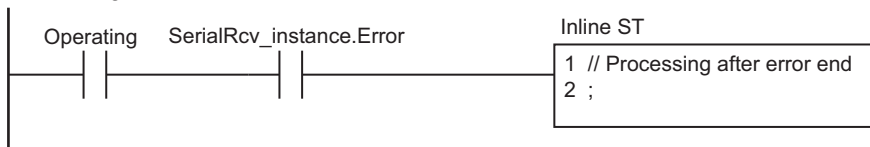
Execute SerialRcv instruction.



Processing after normal end



Processing after error end



● Contents of Inline ST

```
InPort.UnitNo      :=_CBU_No00;    // Serial Communications Unit with unit number 0
InPort.PhysicPortNo:=USINT#2;     // Serial port 2
```

## ST

Internal Variables	Variable	Data type	Initial value	Comment
	Trigger	BOOL	FALSE	Execution condition
	LastTrigger	BOOL	FALSE	Value of Trigger from previous task period
	OperatingStart	BOOL	FALSE	Processing started
	Operating	BOOL	FALSE	Processing
	InPort	_sPORT	(UnitNo:=_CBU_No00, PhysicPortNo:=0)	Port settings
	RecvDat	ARRAY[0..12] OF BYTE	[13(16#0)]	Receive data
	RecvSize	UINT	0	Receive data size
	RecvStringDat	STRING[255]	"	Barcode text string
	Code	ULINT	0	Barcode integer
	SerialRcv_instance	SerialRcv		

External Variables	Variable	Data type	Comment
	_Port_isAvailable	BOOL	Network Communications Instruction Enabled Flag
	Barcode_P2_NopRcvCompleteSta	BOOL	Reception Completed Flag

```

// Detect when Trigger changes to TRUE.
IF ( (Trigger=TRUE) AND (LastTrigger=FALSE) AND (_Port_isAvailable=TRUE)
    AND (Barcode_P2_NopRcvCompleteSta=TRUE) AND (SerialRcv_instance.Busy=FALSE) )
THEN
    OperatingStart:=TRUE;
    Operating      :=TRUE;
END_IF;
LastTrigger:=Trigger;

// Set communications parameters and initialize SerialRcv instruction.
IF (OperatingStart=TRUE) THEN
    SerialRcv_instance(
        Execute:=FALSE,      // Initialize instance.
        Port   :=InPort,     // Port settings
        Size   :=UINT#13,    // Receive data size
        DstDat :=RecvDat[0], // Receive data
        RcvSize =>RecvSize); // Data size that was actually received
    InPort.UnitNo      :=_CBU_No00; // Serial Communications Unit with unit number
0
    InPort.PhysicPortNo:=USINT#2;  // Serial port 2

```

```

    OperatingStart      :=FALSE;
END_IF;

// Execute SerialRcv instruction.
IF (Operating=TRUE) THEN
    SerialRcv_instance(
        Execute:=TRUE,
        Port    :=InPort,
        Size    :=UINT#13,
        DstDat  :=RecvDat[0],
        RcvSize =>RecvSize);

    IF (SerialRcv_instance.Done=TRUE) THEN
        // Processing after normal end
        RecvStringDat:=AryToString(In:=RecvDat[0], Size:=RecvSize); // Convert character codes to a text string.
        Code          :=STRING_TO_ULINT(RecvStringDat);           // Convert text string to an integer.
        Operating     :=FALSE;
    END_IF;
    IF (SerialRcv_instance.Error=TRUE) THEN
        // Processing after error end
        Operating:=FALSE;
    END_IF;
END_IF;

```

# SendCmd

The SendCmd instruction sends a command to CJ-series Units.

- This instruction uses a serial gateway and sends a command to a Serial Communications Unit.
- This instruction sends an explicit command to a DeviceNet Unit or CompoNet Master Unit.
- This instruction produces a command for the socket service function to the EtherNet/IP Unit (CJ1W-EIP21S).

Refer to the *CJ-series EtherNet/IP Units Operation Manual for NJ-series CPU Unit (Cat. No. W495)* for more information on the socket service.

Instruction	Name	FB/ FUN	Graphic expression	ST expression
SendCmd	Send Command	FB		SendCmd_instance(Execute, DstNetAdr, CommPort, CmdDat, CmdSize, RespDat, Option, Done, Busy, Error, ErrorID, ErrorIDEx);



## Precautions for Correct Use

You cannot use this instruction with NX-series CPU Units.

## Variables

	Meaning	I/O	Description	Valid range	Unit	Default
DstNetAdr	Destination network address	Input	Destination network address	---	---	---
CommPort	Destination serial port		Destination serial port	_NONE		_NONE
CmdDat[] (array)	Command array		Command to send	Depends on data type.		*1
CmdSize	Command data size		Command data size	0 to max. data length *2	Bytes	2
Option	Response		Response monitoring and retry specifications	---	---	---
RespDat[] (array)	Response storage array	In-out	Array to store response	Depends on data type.	---	---

\*1. If you omit an input parameter, the default value is not applied. A building error will occur.

\*2. This may vary depending on the network type.

	Boo lean	Bit strings				Integers							Real num- bers		Times, durations, dates, and text strings					
	BOOL	BYTE	WORD	DWORD	LWORD	USINT	UINT	UDINT	ULINT	SINT	INT	DINT	LINT	REAL	LREAL	TIME	DATE	TOD	DT	STRING
DstNetAdr	Refer to <i>Function</i> on page 2-1379 for details on the structure <code>_sDNET_ADR</code> .																			
CommPort	For enumeration <code>_ePORT</code> enumerator, refer to <i>Function</i> on page 2-1379.																			
CmdDat[] (array)		OK																		
CmdSize							OK													
Option	Refer to <i>Function</i> on page 2-1379 for details on the structure <code>_sRESPONSE</code> .																			
RespDat[] (array)		OK																		

## Function

The SendCmd instruction sends the contents of command array `CmdDat[]` to the destination specified with destination network address `DstNetAdr` and destination serial port `CommPort`.

The command data size `CmdSize` specifies how many elements of `CmdDat[]` contain the command.

The response that is returned is stored in response storage array `RespDat[]`.

The data type of `DstNetAdr` is structure `_sDNET_ADR`. The specifications are as follows:

Name	Meaning	Description	Data type	Valid range	Unit	Default
DstNetAdr	Destination network address	Destination network address	<code>_sDNET_ADR</code>	---	---	---
NetNo	Network address	Network address	USINT	0 to 127	---	0
NodeNo	Node address	Node address	USINT	Depends on data type.		
UnitNo	Unit address	Unit address	BYTE	Depends on data type.		16#00

The data type of `CommPort` is enumerated type `_ePORT`.

The meanings of the enumerators of enumerated type `_ePORT` are as follows:

Enumerators	Meaning
<code>_NONE</code>	The destination is not a serial port in Host Link Mode.

The data type of `Option` is structure `_sRESPONSE`. The specifications are as follows:

Name	Meaning	Description	Data type	Valid range	Unit	Default
Option	Response	Response monitoring and retry specifications	_sRESPONSE	---	---	---
isNonResp	No response	TRUE: Response is not required. FALSE: Response is required.	BOOL	Depends on data type.	---	FALSE
TimeOut	Timeout time	Timeout time 0: 2.0 s	UINT		0.1 s	20 (2.0 s)
Retry	Retry count	Retry count	USINT	0 to 15	Time s	0

If no response is returned within the timeout time *Option.TimeOut* when the value of the Response Not Necessary Flag *Option.isNonResp* is FALSE, the command is retried until the response is returned.

The retry count is specified by *Option.Retry*.

The timeout time is *Option.TimeOut* multiplied by 0.1 s. However, if the value of *Option.TimeOut* is 0, the timeout time is 2.0 s. The default value of *Option.TimeOut* is 2.0 s.

## Related System-defined Variables

Name	Meaning	Data type	Description
_Port_numUsingPort	Number of Used Ports	USINT	This is the number of ports that are currently used.
_Port_isAvailable	Network Communications Instruction Enabled Flag	BOOL	TRUE: A port is available. FALSE: A port is not available.

## Additional Information

- Commands or responses may be lost during communications due to noise or other factors. You can increase reliability by setting *Option.Retry* to other values than 0 so that the retry process can be performed when no response is returned.
- Refer to the *SYSMAC CS/CJ/CP/NSJ-series Communications Commands Reference Manual (Cat. No. W342)* for details on how to specify the destination network address.  
For the FINS routing specifications, the specification is different between CS/CJ-series CPU Units and NX-series CPU Units.  
Refer to *Difference Between CS/CJ-series and NX-series in FINS Routing* in the *NX-series CPU Unit FINS Function User's Manual (Cat. No. W596)* for information on the differences in routing specifications.
- To specify a serial port with the serial gateway function, specify the unit address of the serial port for *DstNetAdr.UnitNo*. The unit addresses of the ports on Serial Communications Units are as follows:
  - a) Port 1  
Unit address = BYTE#16#80 + BYTE#16#04 × unit number (hex)  
Example for Unit Number 1  
BYTE#16#80 + BYTE#16#04 × 1 = BYTE#16#84
  - b) Port 2  
Unit address = BYTE#16#81 + BYTE#16#04 × unit number (hex)  
Example for Unit Number 2

BYTE#16#81 + BYTE#16#04 × 2 = BYTE#16#89

## Precautions for Correct Use

- Execution of this instruction is continued until completed even when the value of *Execute* changes to FALSE or the execution time exceeds the task period. The value of *Done* changes to TRUE when the execution is completed. Use this to confirm normal completion of processing.
- Refer to *Using this Section* on page 2-3 for a timing chart for *Execute*, *Done*, *Busy*, and *Error*.
- The command is not sent if the value of *CmdSize* is 0. In this case, the value of *Done* changes to TRUE at instruction execution.
- The instruction is executed only when there is an available port. Therefore, use the *\_Port\_isAvailable* (Network Communications Instruction Enabled Flag) system-defined variable in an N.O. execution condition for the instruction.
- If the instruction is used in ST, make sure that the instruction is processed each task period as long as instruction execution continues. Otherwise, normal processing may not be possible.
- An error will occur in the following cases. *Error* will change to TRUE.
  - a) The value of *\_Port\_isAvailable* is FALSE.
  - b) The value of *CommPort* is outside the valid range.
  - c) The value of a member of *DstNetAdr* is outside the valid range.
  - d) The value of *CmdSize* is outside the valid range.
  - e) The value of a member of *Option* is outside the valid range.
  - f) The value of *CmdSize* exceeds the size of *CmdDat*[].
  - g) The response size exceeds the size of *RespDat*[].
  - h) Communications fail.
- For this instruction, expansion error code *ErrorIDEx* gives the communications response code. The values and meanings are listed in the following table. An expansion error code is output to *ErrorIDEx* when the value of error code *ErrorID* is WORD#16#0800.

Value	Error	Correction
16#00000001	The communications service was interrupted.	<ul style="list-style-type: none"> <li>• Check the data link execution status.</li> <li>• Check the capacity of the transfer destination area on the third node.</li> </ul>
16#00000101	The local node is not part of the network.	Make the local node part of the network.
16#00000102	A token timeout occurred.	Set the local node address to be within the maximum node address.
16#00000103	The retry count was exceeded.	Perform inter-node tests. If any error is found, check the operating environment.
16#00000104	The allowable number of send frames was exceeded.	Check the status of events in the network and reduce the number of events in each task period. Or, increase the number of allowable send frames.
16#00000105	The IP address of the local node is out of range.	Set the rotary switches on the Serial Communications Unit correctly.
16#00000106	The IP address of the local node is also used by another node in the network.	Change one of the node addresses that are duplicated.
16#00000201	The remote node is not part of the network.	Make the remote node part of the network.
16#00000202	A Unit with the specified unit address does not exist at the destination.	Correctly set the unit address for the destination network address.

Value	Error	Correction
16#00000203	The third node is not part of the network.	<ul style="list-style-type: none"> <li>• Check the address of the Unit that is the third node.</li> <li>• Specify only one node for the third node.</li> </ul>
16#00000204	The remote node is busy.	Increase the number of retries or correct the system so that communications traffic is not concentrated on the remote node.
16#00000205	A response timeout occurred.	Check the settings of the communications parameters.
16#00000206	There is an error in the transmission path.	<ul style="list-style-type: none"> <li>• Attempt retries.</li> <li>• If this error occurs frequently, check for noise.</li> </ul>
16#00000301	A Communications Controller Error occurred.	Refer to the operation manual for the relevant Unit and make suitable corrections.
16#00000302	There is an error in the CPU Unit at the remote node.	Refer to the manual for the CPU Unit at the remote node and remove the error.
16#00000303	There is an error in the relevant Controller and a response is not returned.	Check the communications status on the network and restart the relevant Controller. If the error still occurs, replace the relevant Controller.
16#00000304	The unit number setting is not correct.	Set the rotary switches on the Serial Communications Unit correctly.
16#00000401	The command that was sent is not supported.	Set the command array correctly.
16#00000402	The Unit model or version is not supported.	Check the Unit model and version.
16#00000501	The remote address setting is wrong.	Set the destination address in the routing tables.
16#00000502	Routing tables are not registered.	Set the source node, destination node, and relay nodes in the routing tables.
16#00000503	There is an error in the routing tables.	Correct the settings in the routing tables.
16#00000504	There are too many relay points.	Restructure the network or correct the routing tables so that commands are used within a three-layer range.
16#00001001	The command is too long.	Set the command array correctly.
16#00001002	The command is too short.	Set the command array correctly.
16#00001003	The number of write elements that is specified in the command does not agree with the number of write data.	Specify the same number of write elements and write data.
16#00001004	The command format is incorrect.	Set the command array correctly.
16#00001005	There is an error in the header.	Correct the settings in the routing tables.
16#00001101	The area type does not exist.	Refer to the command variables and parameter type codes and set the relevant codes.
16#00001102	An access size is wrong.	Correctly set the variable and parameter access sizes.
16#00001103	An out-of-range address was specified.	Specify an address that is within the process range.
16#00001104	The address range was exceeded.	<ul style="list-style-type: none"> <li>• Specify an address that is within the process range.</li> <li>• Correct the settings in the data link table.</li> </ul>
16#00001106	A communications sequence number that is not registered was specified.	Correct the communications sequence number or add the sequence with the CX-Protocol.
16#00001109	An interrelationship error occurred.	<ul style="list-style-type: none"> <li>• Correct the size relationships in the command data.</li> <li>• Correct the settings in the data link table.</li> </ul>
16#0000110A	Data is redundant.	<ul style="list-style-type: none"> <li>• Cancel the current process or wait for it to be completed before you execute the command.</li> <li>• Correct the settings in the data link table.</li> </ul>



Value	Error	Correction
16#0000110B	The response is too long.	Set the number of elements in the command array correctly.
16#0000110C	This is another parameter error.	Set the command array correctly.
16#00002002	The data is protected.	Execute the command again after clearing the protection.
16#00002003	There is no registered table.	Set the table correctly.
16#00002004	There is no data that matches the search data.	Set the search data correctly.
16#00002005	The relevant program number does not exist.	Set a valid program number.
16#00002006	The relevant file does not exist.	Set the file name correctly, including the subdirectory names.
16#00002007	A verification error occurred.	<ul style="list-style-type: none"> <li>• Check the contents of memory and write the correct data.</li> <li>• Check the contents of the file.</li> </ul>
16#00002101	Access is not possible because the area is read-only.	Execute the command again after clearing the write protection.
16#00002102	The data is protected or the data link table cannot be written.	<ul style="list-style-type: none"> <li>• Execute the command again after clearing the write protection.</li> <li>• Set the system settings in the data link table.</li> </ul>
16#00002103	Registration is not possible.	<ul style="list-style-type: none"> <li>• Create the file after deleting unnecessary files or prepare new file memory.</li> <li>• Execute the command again after closing open files.</li> </ul>
16#00002105	The relevant program number does not exist.	Set a valid program number.
16#00002106	The relevant file does not exist.	Set the file name correctly, including the subdirectory names.
16#00002107	A file with the same name already exists.	Execute the command again after changing the name of the file to write.
16#00002108	The change is not allowed because it causes an error.	Correct the settings.
16#00002201	The operation was not possible because a protocol macros is already in execution.	Use an N.C. program input for the Protocol Macro Execution Flag.
16#00002202	The operating mode is wrong.	Check the operating mode.
16#00002203	The operating mode is wrong for the instruction (PROGRAM mode).	Check the operating mode of the Controller.
16#00002204	The operating mode is wrong for the instruction (DEBUG mode).	Check the operating mode of the Controller.
16#00002205	The operating mode is wrong for the instruction (MONITOR mode).	Check the operating mode of the Controller.
16#00002206	The operating mode is wrong for the instruction (RUN mode).	Check the operating mode of the Controller.
16#00002207	The specified node is not the polling node.	Confirm which node is the polling node of the network.
16#00002208	The operating mode is wrong for the instruction.	Check step activation status.
16#00002211	The Unit is busy.	Increase the number of retries or review the system so that communications traffic is not concentrated on the relevant Unit.

Value	Error	Correction
16#00002301	The file device does not exist.	Insert the media. Or, format the EM.
16#00002302	There is no file memory.	Check the file memory device.
16#00002303	There is no built-in clock.	Check the specifications of the model.
16#00002401	A checksum error occurred in the protocol macro data, or the data transfer is not yet completed.	Transfer the protocol macro data from the CX-Protocol again.
16#00002502	There is an error in the memory.	Transfer the correct data to the memory.
16#00002503	The registered I/O Unit configuration does not agree with the actual Unit configuration.	Check the I/O Unit configuration.
16#00002504	There are too many local or remote I/O points.	Set the number of local and remote I/O points correctly.
16#00002505	An error occurred in a data transmission between the CPU Unit and a CPU Bus Unit.	Check the Units and the connecting cables. After removing the error, execute a command to reset the error.
16#00002506	The same rack number, unit number, or I/O address is set more than once.	Correct the settings so that each number is unique.
16#00002507	An error occurred in a data transmission between the CPU Unit and an I/O Unit.	Check the Units and connecting cables. After removing the error, execute a command to reset the error.
16#00002509	There is an error in SYSMAC BUS/2 data transmission.	Check the Units and connecting cables. After removing the error, execute a command to reset the error.
16#0000250A	An error occurred in a CPU Bus Unit data transmission.	Check the Units and connecting cables. After removing the error, execute a command to reset the error.
16#0000250D	The same channel setting is used more than once.	Set the I/O channels correctly.
16#0000250F	There is an error in memory.	<ul style="list-style-type: none"> <li>• For internal memory, execute the command again after writing the correct data.</li> <li>• For a Memory Card or EM file memory, execute the expansion memory format command.</li> <li>• If the error cannot be reset with the above corrections, replace the memory.</li> </ul>
16#00002510	The end station setting is wrong.	Set the end station correctly.
16#00002601	Protection is already cleared.	You do not need to clear protection.
16#00002602	The password was wrong.	Specify the correct password.
16#00002604	The data is protected.	<ul style="list-style-type: none"> <li>• Execute the command again after clearing the write protection.</li> <li>• Wait for the service that is currently in execution to end, or stop the service and execute the command again.</li> </ul>
16#00002605	The service is busy.	Wait for the service that is currently in execution to end, or stop the service and execute the command again.
16#00002606	The service is stopped.	Execute the relevant service as required.
16#00002607	You do not have the execution right.	<ul style="list-style-type: none"> <li>• Execute the operation from the node that accessed the data link.</li> <li>• If the error still occurs after a restart, replace the Controller.</li> </ul>
16#00002608	The environment is not set.	Make the necessary settings.
16#00002609	The required items are not set.	Set the required items.

Value	Error	Correction
16#0000260A	The specified number is already defined.	Execute the command again after changing the specified number to an action or transition number that is not already registered.
16#0000260B	The error cannot be reset.	Remove the cause of the error and then execute the error reset command.
16#00003001	You do not have access rights.	Wait for the access to be allowed and then execute the command again.
16#00004001	The service was interrupted.	Execute the command again after clearing the cause of the service interruption.

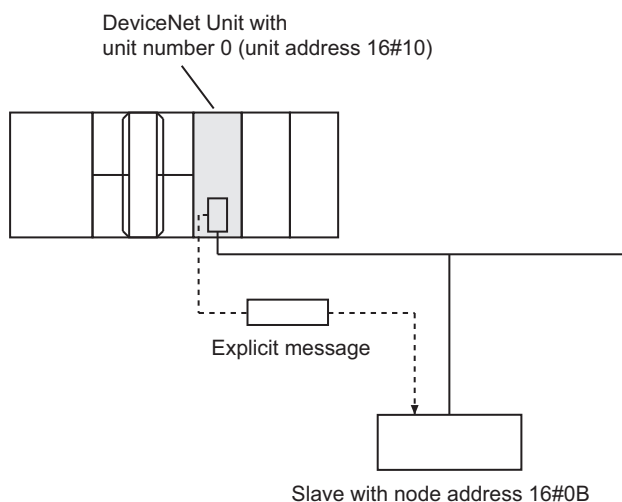
**Note** In addition to the codes in the above table, the values of bits 6, 7, and 15 in the end code can be TRUE. If the value of bit 6 or 7 is TRUE, there is an error in the CPU Unit at the destination. If the value of bit 15 is TRUE, an error occurred during a network relay.

## Sample Programming

In this sample, the SendCmd instruction sends an explicit message via a DeviceNet Unit. This sample reads the vendor ID from the slave with node address 16#0B through the DeviceNet Unit with unit address 16#10.

The following communications specifications are used.

Item	Description
Unit address of DeviceNet Unit	16#10
Slave node address	16#0B
Service code	16#0E
Class ID	1
Instance ID	1
Attribute ID	1
Timeout time	2.0 s
Retry count	2



## Command array SendDat[] and Response storage array RecvDat[]

The contents of command array SendDat[] and response storage array RecvDat[] are as follows:

### ● Command Array: BYTE array

Array element	Item	Content	Value
SendDat[0]	Command code	The command code to send an explicit message is 16#2801.	BYTE#16#28
SendDat[1]			BYTE#16#01
SendDat[2]	Slave node address	The node address is 16#0B.	BYTE#16#0B
SendDat[3]	Service code	The service code to read the value of a specified attribute (Get Attribute Single) is 16#0E.	BYTE#16#0E
SendDat[4]	Class ID	The class ID of the Identity object is 16#0001.	BYTE#16#00
SendDat[5]			BYTE#16#01
SendDat[6]	Instance ID	---	BYTE#16#00
SendDat[7]			BYTE#16#01
SendDat[8]	Attribute ID	The attribute ID of the vendor ID (Vendor ID) is 16#01.	BYTE#16#01

### ● Response Storage Array: BYTE Array

Array element	Item	Content
RecvDat[0]	Command code	The command code to send an explicit message is 16#2801.
RecvDat[1]		
RecvDat[2]	Completion code	The completion code is 16#0000 for a normal end.
RecvDat[3]		
RecvDat[4]	Number of bytes received after the slave node address	4 bytes
RecvDat[5]		
RecvDat[6]	Slave node address	The node address is 16#0B for a normal end.
RecvDat[7]	Service code	The service code for a normal end is 16#8E.
RecvDat[8]	Vendor ID	Slave vendor ID.
RecvDat[9]		

## Definitions of Global Variables

### ● Global Variables

Name	Data type	AT specification*1	Comment
DeviceNet_OnlineSta	BOOL	IOBus://rack#0/slot#0/Unit2Sta/OnlineSta	Online

\*1. AT when the Serial Communications Unit is mounted to slot number 0 in rack number 0.

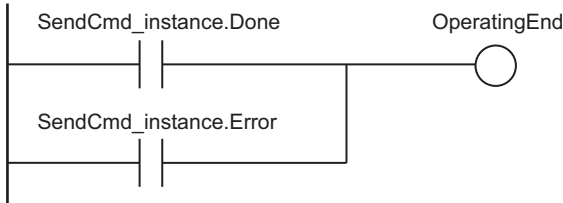
## LD

Internal Variables	Variable	Data type	Initial value	Comment
	OperatingEnd	BOOL	FALSE	Processing completed
	Trigger	BOOL	FALSE	Execution condition
	Operating	BOOL	FALSE	Processing
	InDNetAdr	_sDNET_ADR	(NetNo:=0, NodeNo:=0, UnitNo:=16#0)	Destination network address

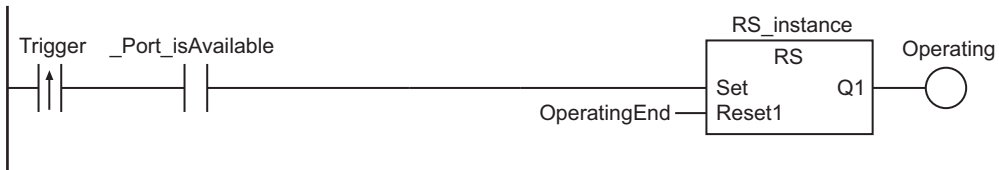
Internal Variables	Variable	Data type	Initial value	Comment
	InOption	_sRESPONSE	(isNonResp:=FALSE, TimeOut:=0, Retry:=0)	Response
	SendDat	ARRAY[0..8] OF BYTE	[9(16#0)]	Send data
	RecvDat	ARRAY[0..9] OF BYTE	[10(16#0)]	Receive data
	RS_instance	RS		
	SendCmd_instance	SendCmd		

External Variables	Variable	Data type	Comment
	_Port_isAvailable	BOOL	Network Communications Instruction Enabled Flag

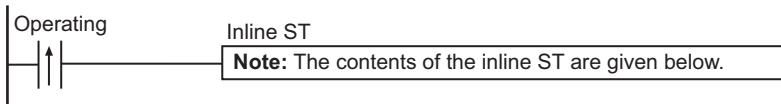
Determine if execution of the SendCmd instruction is completed.



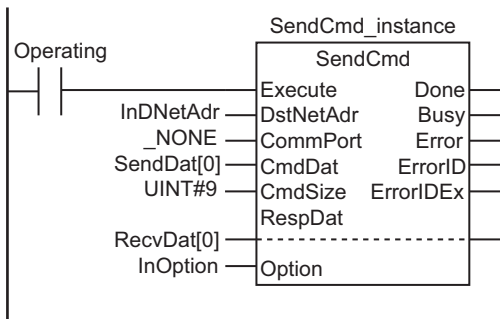
Accept trigger.

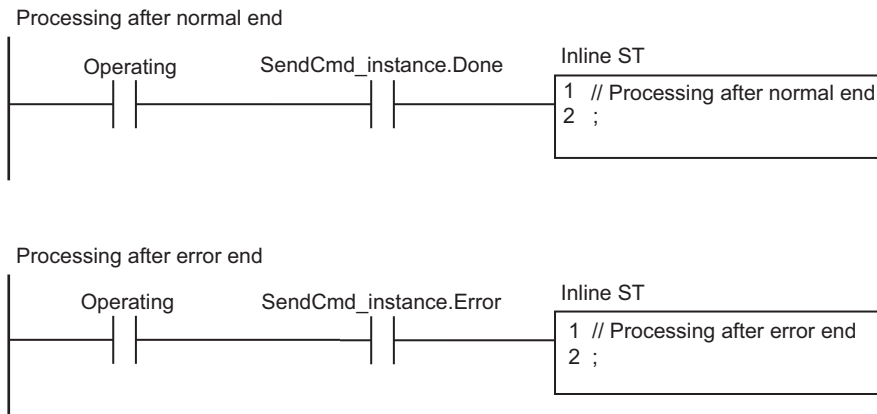


Set communications parameters.



Execute SendCmd instruction.





### ● Contents of Inline ST

```

InDNetAdr.NetNo      :=USINT#0;      // Set network address.
InDNetAdr.NodeNo    :=USINT#0;
InDNetAdr.UnitNo    :=BYTE#16#10;
InOption.isNonResp  :=FALSE;        // Set response.
InOption.TimeOut    :=UINT#20;
InOption.Retry      :=USINT#2;
SendDat[0]          :=BYTE#16#28;    // Set command array.
SendDat[1]          :=BYTE#16#01;
SendDat[2]          :=BYTE#16#0B;
SendDat[3]          :=BYTE#16#0E;
SendDat[4]          :=BYTE#16#00;
SendDat[5]          :=BYTE#16#01;
SendDat[6]          :=BYTE#16#00;
SendDat[7]          :=BYTE#16#01;
SendDat[8]          :=BYTE#16#01;
    
```

## ST

Internal Variables	Variable	Data type	Initial value	Comment
	Trigger	BOOL	FALSE	Execution condition
	LastTrigger	BOOL	FALSE	Value of Trigger from previous task period
	OperatingStart	BOOL	FALSE	Processing started
	Operating	BOOL	FALSE	Processing
	InDNetAdr	_sDNET_ADR	(NetNo:=0, NodeNo:=0, UnitNo:=16#0)	Destination network address
	InOption	_sRESPONSE	(isNonResp:=FALSE, TimeOut:=0, Retry:=0)	Response
	SendDat	ARRAY[0..8] OF BYTE	[9(16#0)]	Send data
	RecvDat	ARRAY[0..9] OF BYTE	[10(16#0)]	Receive data
	SendCmd_instance	SendCmd		

External Variables	Variable	Data type	Comment
	DeviceNet_OnlineSta	BOOL	Online
	_Port_isAvailable	BOOL	Network Communications Instruction Enabled Flag

```

// Detect when Trigger changes to TRUE.
IF ( (Trigger=TRUE) AND (LastTrigger=FALSE) AND (_Port_isAvailable=TRUE)
    AND (DeviceNet_OnlineSta=TRUE) ) THEN
    OperatingStart:=TRUE;
    Operating      :=TRUE;
END_IF;
LastTrigger:=Trigger;

// Set communications parameters and initialize SendCmd instruction.
IF (OperatingStart=TRUE) THEN
    SendCmd_instance(
        Execute      :=FALSE,
        DstNetAdr:=InDNetAdr,
        CommPort :=_NONE,
        CmdDat      :=SendDat[0],
        CmdSize     :=UINT#9,
        RespDat     :=RecvDat[0],
        Option      :=InOption);
    InDNetAdr.NetNo    :=USINT#0;      // Set network address.
    InDNetAdr.NodeNo  :=USINT#0;
    InDNetAdr.UnitNo  :=BYTE#16#10;
    InOption.isNonResp :=FALSE;      // Set response.
    InOption.TimeOut  :=UINT#20;
    InOption.Retry    :=USINT#2;
    SendDat[0]        :=BYTE#16#28;  // Set command array.
    SendDat[1]        :=BYTE#16#01;
    SendDat[2]        :=BYTE#16#0B;
    SendDat[3]        :=BYTE#16#0E;
    SendDat[4]        :=BYTE#16#00;
    SendDat[5]        :=BYTE#16#01;
    SendDat[6]        :=BYTE#16#00;
    SendDat[7]        :=BYTE#16#01;
    SendDat[8]        :=BYTE#16#01;
    OperatingStart    :=FALSE;
END_IF;
// Execute SendCmd instruction.
IF (Operating=TRUE) THEN
    SendCmd_instance(
        Execute      :=TRUE,
        DstNetAdr:=InDNetAdr,
        CommPort :=_NONE,

```

```
    CmdDat    :=SendDat[0],
    CmdSize   :=UINT#9,
    RespDat   :=RecvDat[0],
    Option    :=InOption);

IF (SendCmd_instance.Done=TRUE) THEN
    // Processing after normal end
    Operating:=FALSE;
END_IF;

IF (SendCmd_instance.Error=TRUE) THEN
    // Processing after error end
    Operating:=FALSE;
END_IF;
END_IF;
```



# NX\_SerialSend

The NX\_SerialSend instruction sends data in No-protocol Mode from a serial port on an NX-series Communications Interface Unit or Option Board.

Instruction	Name	FB/ FUN	Graphic expression	ST expression
NX_SerialSend	Send No-protocol Data	FB		NX_SerialSend_instance(Execute, DevicePort, SendDat, SendSize, SendCfg, Option, Abort, Done, Busy, CommandAborted, Error, ErrorID);



## Version Information

A CPU Unit with unit version 1.11 or later and Sysmac Studio version 1.15 or higher are required to use this instruction.

## Variables

	Meaning	I/O	Description	Valid range	Unit	Default
DevicePort	Device port	Input	Object that represents a device port	---	---	---
SendDat[] (array)	Send data array		Send data array	Depends on data type.	---	*1
SendSize	Send data size		Send data size	0 to 4096	Bytes	0
SendCfg	Conditions attached to send data		Conditions attached to send data	---	---	---
Option	Option		Option	---	---	---
Abort	Interruption	Output	Interruption of instruction execution	Depends on data type.	---	FALSE
CommandAborted	Interruption completion		Interruption completion	Depends on data type.	---	---

\*1. If you omit an input parameter, the default value is not applied. A building error will occur.

	Boo lean	Bit strings					Integers							Real numbers		Times, durations, dates, and text strings				
	BOOL	BYTE	WORD	DWORD	LWORD	USINT	UINT	UDINT	ULINT	SINT	INT	DINT	LINT	REAL	LREAL	TIME	DATE	TOD	DT	STRING
DevicePort																				
SendDat[] (array)		OK																		
SendSize							OK													

	Boo lean	Bit strings					Integers							Real num- bers		Times, durations, dates, and text strings				
	BOOL	BYTE	WORD	DWORD	LWORD	USINT	UINT	UDINT	ULINT	SINT	INT	DINT	LINT	REAL	LREAL	TIME	DATE	TOD	DT	STRING
SendCfg	Refer to <i>Function</i> on page 2-1392 for details on the structure <code>_sSERIAL_CFG</code> .																			
Option	Refer to <i>Function</i> on page 2-1392 for details on the structure <code>_sSERIAL_SEND_OPTION</code> .																			
Abort	OK																			
CommandA- borted	OK																			

## Function

The `NX_SerialSend` instruction sends data in No-protocol Mode from the specified port on an NX-series Communications Interface Unit or Option Board.

The data type of the `DevicePort` input variable is structure `_sDEVICE_PORT`. The specifications are as follows:

Name	Meaning	Description	Data type	Valid range	Unit	De- fault
DevicePort	Device port	Object that represents a device port	<code>_sDEVICE_PORT</code>	---	---	---
DeviceType	Device type	Type of the device to specify	<code>_eDEVICE_TYPE</code>	<code>_DeviceNXUnit</code> <code>_DeviceEcat-Slave</code> <code>_DeviceOption-Board</code>	---	---
NxUnit	Specified Unit	NX Unit to control	<code>_sNXUNIT_ID</code>	---	---	---
EcatSlave	Specified slave	EtherCAT slave to control	<code>_sECAT_ID</code>	---	---	---
OptBoard	Specified Option Board	Option Board to control	<code>_sOPTBOARD_ID</code>	---	---	---
Reserved	Reserved	Reserved	Reserved	---	---	---
PortNo	Port number	Port number 1: Port 1 2: Port 2	USINT	Depends on data type.	---	---

Use `DeviceType` to specify the device type.

Set this to `_DeviceNXUnit` for an NX Unit and `_DeviceOptionBoard` for an Option Board.

The variable used to specify the device is determined by the specified device type.

To specify an NX Unit, use `NxUnit` to specify the device.

In this case, `EcatSlave` and `OptBoard` are not used.

To `NxUnit`, pass the device variable that is assigned to the node location information on the I/O Map for the device to specify.

To specify an Option Board, use `OptBoard` to specify the device.

In this case, `NxUnit` and `EcatSlave` are not used.

To `OptBoard`, pass the device variable that is assigned to the node location information on the I/O Map for the device to specify.

If you use this instruction, be sure to assign a device variable to the node location information. Do not assign device variables to any I/O ports following the node location information that are indicated by *W* under the R/W column.

The figure below is an example of using this instruction for port 1 on an NX-CIF210.

Position Unit1	Port	Description	R/W	Data Type	Variable
	NX-CIF210	Node location information	R	_sNXUNIT_ID	N1_Node_location_information
		Ch1 Output SID	W	JSINT	
		Ch1 Input SID Response	W	JSINT	
		▶ Ch1 Output Data Type	W	WORD	
		Ch1 Output Sub Info	W	WORD	
		Ch1 Output Data Length	W	UINT	
		▶ Ch1 Output Data 01	W	ARRAY[0..3] OF BYTE	
		▶ Ch1 Output Data 02	W	ARRAY[0..3] OF BYTE	
		▶ Ch1 Output Data 03	W	ARRAY[0..3] OF BYTE	
		▶ Ch1 Output Data 04	W	ARRAY[0..3] OF BYTE	
		▶ Ch1 Output Data 05	W	ARRAY[0..3] OF BYTE	

Refer to the *Sysmac Studio Version 1 Operation Manual (Cat. No. W504)* for details on assigning a device variable to the node location information.

Use *PortNo* to specify the port number.

1: Port 1

2: Port 2

For an NX Unit, set this to Port 1 or Port 2.

For an Option Board, set this to Port 1.

The data type of *DeviceType* is enumerated type `_eDEVICE_TYPE`.

The meanings of the enumerators of enumerated type `_eDEVICE_TYPE` are as follows:

Enumerator	Meaning
<code>_DeviceNXUnit</code>	NX Unit is specified.
<code>_DeviceEcatSlave</code>	EtherCAT slave is specified.
<code>_DeviceOptionBoard</code>	Option Board is specified.

In this instruction, you can specify `_DeviceNXUnit` or `_DeviceOptionBoard`.

Data of the size specified with the *SendSize* input variable is sent from the send data specified with the *SendDat* input variable.

If the value of *SendSize* is 0, nothing is sent. When the instruction is executed, the value of *Done* changes to TRUE instead of *Busy*.

To attach start and end codes to the send data, set them in the *SendCfg* input variable.

The data type of the *SendCfg* input variable is structure `_sSERIAL_CFG`. The specifications are as follows:

Name	Meaning	Description	Data type	Valid range	Unit	Default
SendCfg	Conditions attached to send data	Conditions attached to send data	_sSERIAL_CFG	---	---	---
StartTrig	Start code existence	Start code existence	_eSERIAL_START	_SERIAL_START_NONE _SERIAL_START_STARTCODE1 _SERIAL_START_STARTCODE2	---	_SERIAL_START_NONE
StartCode	Start code	Start code	BYTE[2]	Depends on data type.	---	[2(16#0)]
EndTrig	End code existence	End code existence	_eSERIAL_END	_SERIAL_END_NONE _SERIAL_END_ENDCODE1 _SERIAL_END_ENDCODE2 _SERIAL_END_TERMINATION_CHAR _SERIAL_END_RCV_SIZE	---	_SERIAL_END_NONE
EndCode	End code	End code	BYTE[2]	Depends on data type.	---	[2(16#0)]
RcvSizeCfg	Receive size	Not used in this instruction.	UINT	0 to 4096	Bytes	0

The data type of *StartTrig* is enumerated type `_eSERIAL_START`.

The meanings of the enumerators of enumerated type `_eSERIAL_START` are as follows:

Enumerator	Meaning
<code>_SERIAL_START_NONE</code>	None
<code>_SERIAL_START_STARTCODE1</code>	1-byte code
<code>_SERIAL_START_STARTCODE2</code>	2-byte code

The data type of *EndTrig* is enumerated type `_eSERIAL_END`.

The meanings of the enumerators of enumerated type `_sSERIAL_END` are as follows:

Enumerator	Meaning
<code>_SERIAL_END_NONE</code>	None
<code>_SERIAL_END_ENDCODE1</code>	1-byte code
<code>_SERIAL_END_ENDCODE2</code>	2-byte code
<code>_SERIAL_END_TERMINATION_CHAR</code>	Termination condition
<code>_SERIAL_END_RCV_SIZE</code>	Receive size

Refer to *Operation of Start Code and End Code* on page 2-1408 for details on the operation of start code and end code.

To delay data transmission from the Controller to an NX-series Communications Interface Unit, set a delay time in units of 0.01 s with the *Option.SendDelay* input variable.

The data type of the *Option* input variable is structure `_sSERIAL_SEND_OPTION`. The specifications are as follows:

Name	Meaning	Description	Data type	Valid range	Unit	Default
Option	Option	Option	_sSERIAL_SEND_OPTION	---	---	---
SendDelay	Send delay time	Send delay time	UINT	Depends on data type.	0.01 s	0



#### Precautions for Correct Use

An error occurs if this instruction is executed for Units other than NX-series Communications Interface Units and Option Boards.

## Operation of Start Code and End Code

Use *SendCfg.StartTrig* and *SendCfg.EndTrig* to specify the conditions of start and end codes that are attached to the send data.

If you attach a start or end code to the send data, exclude it from the value set for the *SendSize* input variable.

The operations of *StartTrig* and *EndTrig* are given below.

Value of <i>StartTrig</i>	Operation
_SERIAL_START_NONE	---
_SERIAL_START_STARTCODE1	<i>SendDat</i> is sent with start code attached to its beginning. Example: STX
_SERIAL_START_STARTCODE2	

Value of <i>EndTrig</i>	Operation
_SERIAL_END_NONE	---
_SERIAL_END_ENDCODE1	<i>SendDat</i> is sent with end code attached to its end. Example: ETX
_SERIAL_END_ENDCODE2	
_SERIAL_END_TERMINATION_CHAR	Error
_SERIAL_END_RCV_SIZE	Error

## Interruption of Instruction Execution

If *Abort* is changed to TRUE during instruction execution, the execution is interrupted.

When the instruction execution is interrupted, *CommandAborted* changes to TRUE. The instruction is interrupted even when the data transmission is in progress.

If the instruction execution is completed before an attempt of interruption, *Done* changes to TRUE and the instruction ends normally.

If both *Abort* and *Execute* are changed to TRUE, *CommandAborted* changes to TRUE.

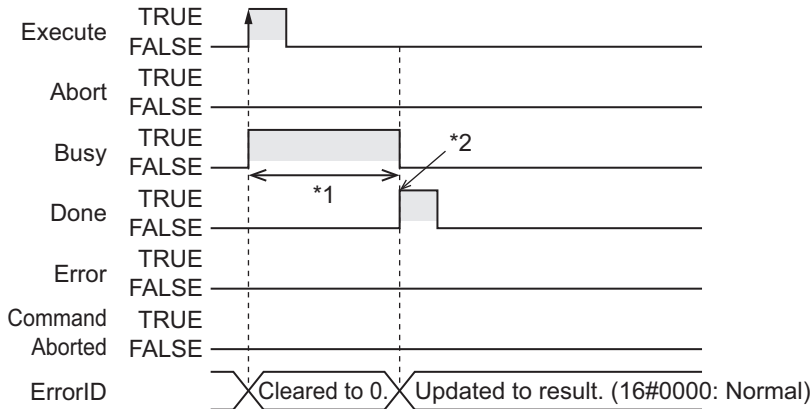
The interruption operation only finishes the *Busy* processing, and it does not clear the send buffer. To clear the buffer, use the instruction, *NX\_SerialBufClear* on page 2-1470.

## Timing Charts

The following figures show the timing charts.

● **Normal end (when *SendDelay* is 0 (0 s))**

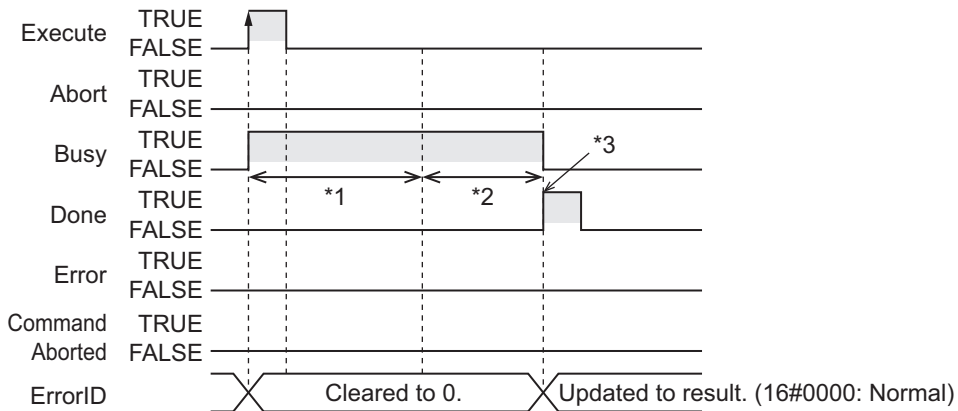
The operation is as follows when *SendDelay* is 0 (0 s).



- \*1. Sending processing
- \*2. Sending completed

● **Normal end (when *SendDelay* is 100 (1 s))**

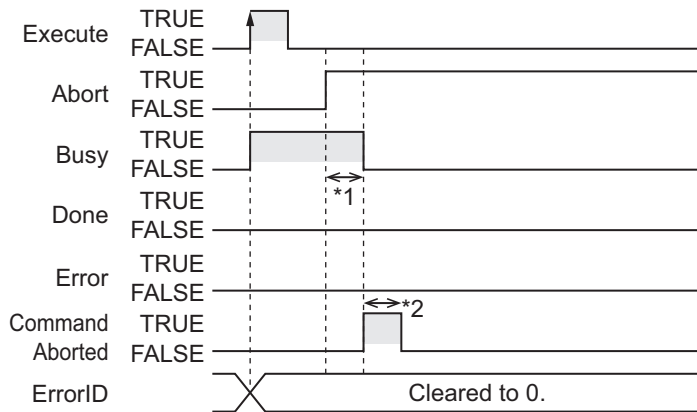
The operation is as follows when *SendDelay* is 100 (1 s).



- \*1. The send delay time of 1 s
- \*2. Sending processing
- \*3. Sending completed

● **Interruption executed (when *Busy* is TRUE)**

The operation is as follows if *Abort* is changed to TRUE while *Busy* is TRUE.

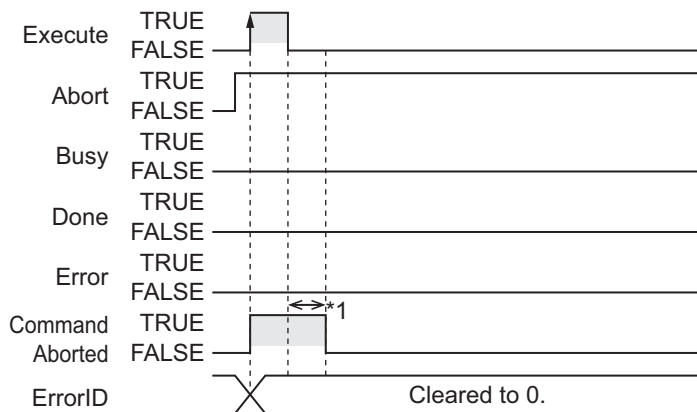


\*1. Interruption processing

\*2. Changes to FALSE after one task period.

### ● Interruption executed (when *Execute* is TRUE)

The operation is as follows if both *Abort* and *Execute* are changed to TRUE.



\*1. Changes to FALSE after one task period.

## Related System-defined Variables

Name	Meaning	Data type	Description
_PLC_OptBoardSta <sup>*1</sup>	Option Board Status	ARRAY[1..2] of _sOPTBOARD_STA	This stores the status of the Option Board.
_NXB_UnitIOActiveTbl <sup>*2</sup>	NX Unit I/O Data Active Status	ARRAY[0..32] OF BOOL <sup>*3</sup>	<ul style="list-style-type: none"> <li>This status tells the NX Units whether I/O data communications can be processed.</li> <li>The subscript of the array corresponds to the NX Unit numbers. A subscript of 0 means the NX bus master.</li> </ul>

\*1. You can use this variable only with NX1P2 CPU Units.

\*2. You can use this variable with NX502 CPU Units, NX102 CPU Units, and NX1P2 CPU Units.

\*3. For the NX1P2 CPU Units, the data type is ARRAY [0..8] OF BOOL.

## Precautions for Correct Use

- While *Abort* remains FALSE, execution of this instruction is continued until completed even when *Execute* changes to FALSE or the execution time exceeds the task period.

The value of *Done* changes to TRUE when the execution is completed. Use this to confirm normal completion of processing. If *Abort* is changed to TRUE during instruction execution, *CommandAborted* or *Done* changes to TRUE.

- A compiling error will occur if you use this instruction in an event task. Do not use this instruction in event tasks.
- A *CIF Unit Initialized* error may occur when the NX-series Communications Interface Unit is restarted. Send or receive the data again, if necessary.
- If you use this instruction, do not assign device variables to any I/O ports that are indicated with *W* in the R/W column on the I/O Map Tab Page in the Sysmac Studio for the applicable NX-series Communications Interface Unit.
- An error will occur in the following cases. *Error* will change to TRUE.
  - a) A value that is out of range is set for *SendSize*, *SendCfg.StartTrig*, *SendCfg.EndTrig*, *DevicePort.DevicePortType*, or *DevicePort.PortNo*.
  - b) The array variable specified for *SendDat* is smaller than the size specified with *SendSize*.
  - c) The Unit, Option Board, or port specified with *DevicePort* does not exist.
  - d) The data type of *DevicePort* is invalid.
  - e) More than 32 of the following instructions were executed at the same time: *NX\_SerialSend*, *NX\_SerialRcv*, *NX\_ModbusRtuCmd*, *NX\_ModbusRtuRead*, *NX\_ModbusRtuWrite*, *NX\_SerialSigCtl*, *NX\_SerialSigRead*, *NX\_SerialStatusRead*, *NX\_SerialBufClear*, *NX\_SerialStartMon*, and *NX\_SerialStopMon*.
  - f) This instruction is executed with a device port variable that is the same as the one specified for another instruction that is still being executed.

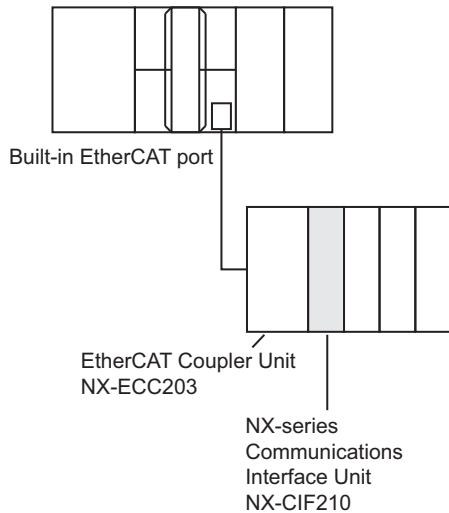
In this case, the instruction which is still being executed is one of the followings: the *NX\_SerialSend* instruction, *NX\_ModbusRtuCmd* instruction, *NX\_ModbusRtuRead* instruction, and *NX\_ModbusWrite* instruction.
  - g) This instruction is executed for Units other than NX-series Communications Interface Units and Option Boards.
  - h) The serial communications mode of the specified Option Board is not *No-protocol*.

### Sample Programming

In this sample, an NX-series Communications Interface Unit (NX-CIF210) is connected to an Ether-CAT Coupler Unit (NX-ECC203).

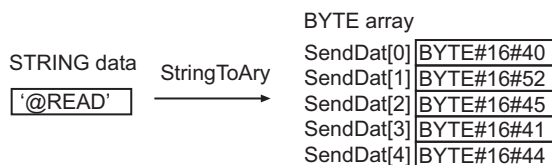
The unit number of the NX-CIF210 is set to 1.





A no-protocol command is sent to the barcode reader that is connected to serial port 2 of the NX-CIF210. The send command is the scene number acquisition command (@READ).

For the send command, the StringToAry instruction is used to separate the text string '@READ' into individual characters and convert them to the character codes. The character codes are stored in the array elements of SendDat[].



There is no start code. End code is 16#0D (CR).

The settings of NX-CIF210 are given in the following table.

Item	Set value
Port 2: Baud Rate	38,400 bps
Port 2: Data Length	8 bits
Port 2: Parity	None
Port 2: Stop Bits	1 bit
Port 2: Flow Control	None

## Definitions of Global Variables

### ● Global Variables

Name	Data type	AT	Comment
E001_NX_Unit_I_O_Data_Active_Status_63	ARRAY[0..63] OF BOOL	ECAT://node#1/NX Unit I/O Data Active Status 125	Usage of I/O data for 63 NX Units.

Name	Data type	AT	Comment
N1_Node_location_information	_sNXUNIT_ID	---	Device variable to specify NX-CIF210*1

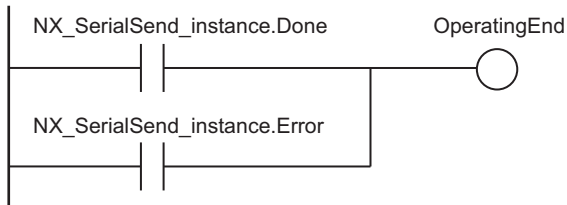
\*1. On the Sysmac Studio, right-click an NX-series slave terminal unit, select **Display Node Location Port**, and set the device variable. Refer to the *Sysmac Studio Version 1 Operation Manual (Cat. No. W504)* for details.

## LD

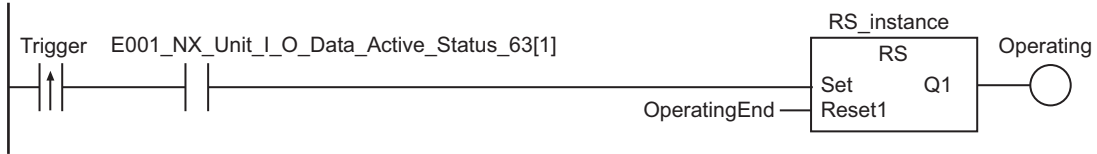
Internal Variables	Variable	Data type	Initial value	Comment
	OperationEnd	BOOL	FALSE	Processing completed
	Trigger	BOOL	FALSE	Execution condition
	Operating	BOOL	FALSE	Processing
	DevicePort	_sDEVICE_PORT		Port settings
	SendDat	ARRAY [0..5] OF BYTE	[6(16#0)]	Send data
	SendSize	UINT	0	Send data size
	RS_instance	RS		
	NX_SerialSend_instance	NX_SerialSend		
	SendCfg	_sSERIAL_CFG		
	StartTrig	_eSERIAL_START	_SERIAL_START_NONE	Without start code
	StartCode	BYTE[2]	[2(16#0)]	
	EndTrig	_eSERIAL_END	_SERIAL_END_ENDCODE1	With end code
	EndCode	BYTE[2]	[16#0D,16#00]	16#0D(CR)

External Variables	Variable	Data type	Comment
	E001_NX_Unit_I_O_Data_Active_Status_63	ARRAY[0..63] OF BOOL	<ul style="list-style-type: none"> <li>Usage of I/O data for 63 NX Units.</li> <li>If the relevant Unit number is 1, E001_NX_Unit_I_O_Data_Active_Status_63[1] is used.</li> </ul>
	N1_Node_location_information	_sNXUNIT_ID	Device variable to specify NX-CIF210

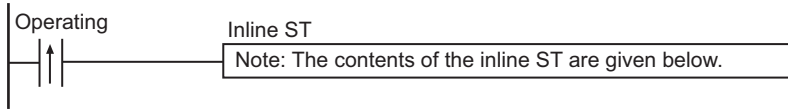
Determine if execution of the NX\_SerialSend instruction has ended.



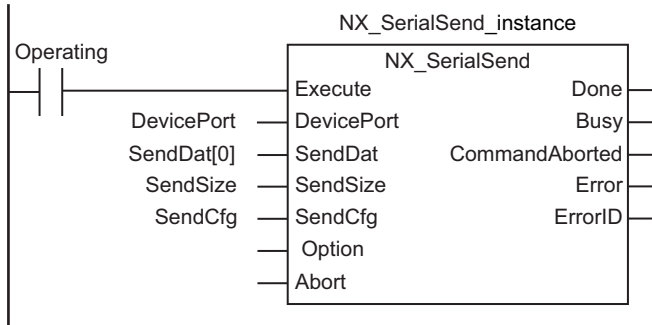
Accept trigger.



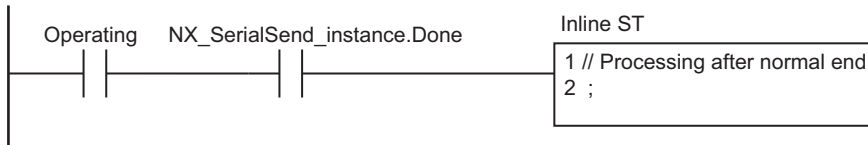
Set communications parameters.



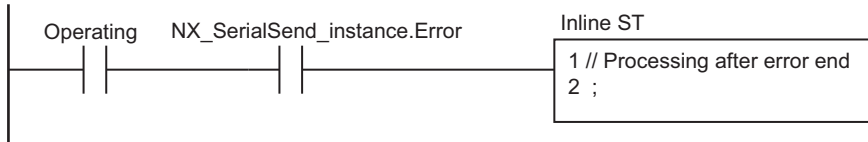
Execute NX\_SerialSend instruction.



Processing after normal end



Processing after error end



### ● Contents of Inline ST

```
DevicePort.DeviceType:=_eDEVICE_TYPE#_DeviceNXUnit;
DevicePort.NxUnit:=N1_Node_location_information;
DevicePort.PortNo:=2;
StringToAry(In:='@READ', AryOut:=SendDat[0]);
SendSize := UINT#10#5;
```

### ST

Internal Variables	Variable	Data type	Initial value	Comment
	Trigger	BOOL	FALSE	Execution condition

Internal Variables	Variable	Data type	Initial value	Comment
	LastTrigger	BOOL	FALSE	Value of Trigger from previous task period
	OperatingStart	BOOL	FALSE	Processing started
	Operating	BOOL	FALSE	Processing
	DevicePort	_sDEVICE_PORT		Port settings
	SendDat	ARRAY[0..5] OF BYTE	[6(16#0)]	Send data
	SendSize	UINT	0	Send data size
	NX_SerialSend_instance	NX_SerialSend		
	SendCfg	_sSERIAL_CFG		
	StartTrig	_eSERIAL_START	_SERIAL_START_NONE	Without start code
	StartCode	BYTE[2]	[2(16#0)]	
	EndTrig	_eSERIAL_END	_SERIAL_END_ENDCODE1	With end code
	EndCode	BYTE[2]	[16#0D, 16#00]	16#0D(CR)

External Variables	Variable	Data type	Comment
	E001_NX_Unit_I_O_Data_Active_Status_63	ARRAY[0..63] OF BOOL	<ul style="list-style-type: none"> <li>Usage of I/O data for 63 NX Units.</li> <li>If the relevant Unit number is 1, E001_NX_Unit_I_O_Data_Active_Status_63[1] is used.</li> </ul>
	N1_Node_location_information	_sNXUNIT_ID	Device variable to specify NX-CIF210

```
// Detect when Trigger changes to TRUE.
IF ( (Trigger=TRUE) AND (LastTrigger=FALSE)
    AND (E001_NX_Unit_I_O_Data_Active_Status_63[1]) AND (NX_SerialSend_instance.Busy=FALSE) ) THEN
    OperatingStart:=TRUE;
    Operating:=TRUE;
    DevicePort.DeviceType:=_eDEVICE_TYPE#_DeviceNXUnit;
    DevicePort.NxUnit:=N1_Node_location_information;
    DevicePort.PortNo:=2;
END_IF;
LastTrigger:=Trigger;

// Set communications parameters and initialize NX_SerialSend instruction.
IF (OperatingStart=TRUE) THEN
    NX_SerialSend_instance(
        Execute:=FALSE,
        DevicePort:=DevicePort;
        SendDat:=SendDat[0],
        SendSize:=UINT#1,
        SendCfg:=SendCfg);
```

```
StringToAry(In:='@READ', AryOut:=SendDat[0]);
SendSize:=UINT#10#5;
OperatingStart:=FALSE;
END_IF;

// Execute NX_SerialSend instruction.
IF (Operating=TRUE) THEN
    NX_SerialSend_instance(
        Execute:=TRUE,
        DevicePort:=DevicePort, // Port settings
        SendDat:=SendDat[0],     // Send data
        SendSize:=SendSize,     // Send data size
        SendCfg:=SendCfg);     // End code settings
    IF (NX_SerialSend_instance.Done=TRUE) THEN
        // Processing after normal end

        Operating:=FALSE;
    END_IF;

    IF (NX_SerialSend_instance.Error=TRUE) THEN
        // Processing after error end

        Operating:=FALSE;
    END_IF;
END_IF;
```

# NX\_SerialRcv

The NX\_SerialRcv instruction reads data in No-protocol Mode from a serial port on an NX-series Communications Interface Unit or Option Board.

Instruction	Name	FB/ FUN	Graphic expression	ST expression
NX_SerialRcv	Receive No-protocol Data	FB		NX_SerialRcv_instance(Execute, DevicePort, RcvDat, Size, RcvCfg, Option, Abort, Done, Busy, CommandAborted, Error, ErrorID, RcvSize);



## Version Information

A CPU Unit with unit version 1.11 or later and Sysmac Studio version 1.15 or higher are required to use this instruction.

## Variables

	Meaning	I/O	Description	Valid range	Unit	Default
DevicePort	Device port	Input	Object that represents a device port	---	---	---
Size	Storage size		Size of <i>RcvDat</i> in bytes	1 to 4096	Bytes	1
RcvCfg	Reception completion setting		Reception completion setting	---	---	---
Option	Option		Option	---	---	---
Abort	Interruption		Interruption of instruction execution	---	---	FALSE
RcvDat[] (array)	Receive data	In-out	Variable to store data received from the receive buffer	Depends on data type.	---	---
CommandAborted	Interruption completion	Output	Interruption completion	Depends on data type.	---	---
RcvSize	Receive size		Size of data actually received from the receive buffer	0 to 4096	Bytes	---

	Boo lean	Bit strings				Integers							Real num- bers		Times, durations, dates, and text strings					
	BOOL	BYTE	WORD	DWORD	LWORD	USINT	UINT	UDINT	ULINT	SINT	INT	DINT	LINT	REAL	LREAL	TIME	DATE	TOD	DT	STRING
DevicePort	Refer to <i>Function</i> on page 2-1405 for details on the structure <code>_sDEVICE_PORT</code> .																			

	Boo lean	Bit strings				Integers								Real num bers		Times, durations, dates, and text strings				
	BOOL	BYTE	WORD	DWORD	LWORD	USINT	UINT	UDINT	ULINT	SINT	INT	DINT	LINT	REAL	LREAL	TIME	DATE	TOD	DT	STRING
Size							OK													
RcvCfg	Refer to <i>Function</i> on page 2-1405 for details on the structure <code>_sSERIAL_CFG</code> .																			
Option	Refer to <i>Function</i> on page 2-1405 for details on the structure <code>_sSERIAL_RCV_OPTION</code> .																			
Abort	OK																			
RcvDat[] (array)		OK																		
CommandA- borted	OK																			
RcvSize							OK													

## Function

The `NX_SerialRcv` instruction reads data in No-protocol Mode from the specified port on an NX-series Communications Interface Unit or Option Board.

The data type of the *DevicePort* input variable is structure `_sDEVICE_PORT`. The specifications are as follows:

Name	Meaning	Description	Data type	Valid range	Unit	De- fault
DevicePort	Device port	Object that represents a device port	<code>_sDEVICE_PORT</code>	---	---	---
DeviceType	Device type	Type of the device to specify	<code>_eDEVICE_TYPE</code>	<code>_DeviceNXUnit</code> <code>_DeviceEcat-Slave</code> <code>_DeviceOption-Board</code>	---	---
NxUnit	Specified Unit	NX Unit to control	<code>_sNXUNIT_ID</code>	---	---	---
EcatSlave	Specified slave	EtherCAT slave to control	<code>_sECAT_ID</code>	---	---	---
OptBoard	Specified Option Board	Option Board to control	<code>_sOPTBOARD_ID</code>	---	---	---
Reserved	Reserved	Reserved	Reserved	---	---	---
PortNo	Port number	Port number 1: Port 1 2: Port 2	USINT	Depends on data type.	---	---

Use *DeviceType* to specify the device type.

Set this to `_DeviceNXUnit` for an NX Unit and `_DeviceOptionBoard` for an Option Board.

The variable used to specify the device is determined by the specified device type.

To specify an NX Unit, use *NxUnit* to specify the device.

In this case, *EcatSlave* and *OptBoard* are not used.

To *NxUnit*, pass the device variable that is assigned to the node location information on the I/O Map for the device to specify.

To specify an Option Board, use *OptBoard* to specify the device.

In this case, *NxUnit* and *EcatSlave* are not used.

To *OptBoard*, pass the device variable that is assigned to the node location information on the I/O Map for the device to specify.

If you use this instruction, be sure to assign a device variable to the node location information. Do not assign device variables to any I/O ports following the node location information that are indicated by *W* under the R/W column.

The figure below is an example of using this instruction for port 1 on an NX-CIF210.

Assign a variable.

Position	Port	Description	R/W	Data Type	Variable
Unit1	▼ NX-CIF210				
	Node location information	Node location information	R	_sNXUNIT_ID	N1_Node_location_information
	⋮				
	Ch1 Output SID	Ch1 Output SID	W	USINT	
	Ch1 Input SID Response	Ch1 Input SID Response	W	USINT	
	▶ Ch1 Output Data Type	Ch1 Output Data Type	W	WORD	
	Ch1 Output Sub Info	Ch1 Output Sub Info	W	WORD	
	Ch1 Output Data Length	Ch1 Output Data Length	W	UINT	
	▶ Ch1 Output Data 01	Ch1 Output Data 01	W	ARRAY[0..3] OF BYTE	
	▶ Ch1 Output Data 02	Ch1 Output Data 02	W	ARRAY[0..3] OF BYTE	
	▶ Ch1 Output Data 03	Ch1 Output Data 03	W	ARRAY[0..3] OF BYTE	
	▶ Ch1 Output Data 04	Ch1 Output Data 04	W	ARRAY[0..3] OF BYTE	
	▶ Ch1 Output Data 05	Ch1 Output Data 05	W	ARRAY[0..3] OF BYTE	

Do not assign variables.

Refer to the *Sysmac Studio Version 1 Operation Manual (Cat. No. W504)* for details on assigning a device variable to the node location information.

Use *PortNo* to specify the port number.

1: Port 1

2: Port 2

For an NX Unit, set this to Port 1 or Port 2.

For an Option Board, set this to Port 1.

The data type of *DeviceType* is enumerated type `_eDEVICE_TYPE`.

The meanings of the enumerators of enumerated type `_eDEVICE_TYPE` are as follows:

Enumerator	Meaning
<code>_DeviceNXUnit</code>	NX Unit is specified.
<code>_DeviceEcatSlave</code>	EtherCAT slave is specified.
<code>_DeviceOptionBoard</code>	Option Board is specified.

In this instruction, you can specify `_DeviceNXUnit` or `_DeviceOptionBoard`.

First, data received by the Unit is stored in the receive buffer.

Use the *RcvDat* in-out variable to specify the variable to store data received from the receive buffer.

Use the *Size* input variable to set the size of *RcvDat* in bytes.

The *RcvSize* output variable represents the size of data actually received from the receive buffer.

When the receive data includes start or end code, you must set the *RcvCfg* input variable.

The data type of *RcvCfg* input variable is structure `_sSERIAL_CFG`. The specifications are as follows:



Name	Meaning	Description	Data type	Valid range	Unit	Default
RcvCfg	Reception completion setting	Reception completion setting	_sSERIAL_CFG	---	---	---
StartTrig	Start code existence	Start code existence	_eSERIAL_START	_SERIAL_START_NONE _SERIAL_START_STARTCODE1 _SERIAL_START_STARTCODE2	---	_SERIAL_START_NONE
StartCode	Start code	Start code	BYTE[2]	Depends on data type.	---	[2(16#0)]
EndTrig	End code existence	End code existence	_eSERIAL_END	_SERIAL_END_NONE _SERIAL_END_ENDCODE1 _SERIAL_END_ENDCODE2 _SERIAL_END_TERMINATION_CHAR _SERIAL_END_RCV_SIZE	---	_SERIAL_END_NONE
EndCode	End code	End code	BYTE[2]	Depends on data type.	---	[2(16#0)]
RcvSizeCfg	Receive size	Receive size specified when end code is _SERIAL_END_RCV_SIZE	UINT	0 to 4,096	Bytes	0

The data type of *StartTrig* is enumerated type `_eSERIAL_START`.

The meanings of the enumerators of enumerated type `_eSERIAL_START` are as follows:

Enumerator	Meaning
<code>_SERIAL_START_NONE</code>	None
<code>_SERIAL_START_STARTCODE1</code>	1-byte code
<code>_SERIAL_START_STARTCODE2</code>	2-byte code

The data type of *EndTrig* is enumerated type `_eSERIAL_END`.

The meanings of the enumerators of enumerated type `_eSERIAL_END` are as follows:

Enumerator	Meaning
<code>_SERIAL_END_NONE</code>	None
<code>_SERIAL_END_ENDCODE1</code>	1-byte code
<code>_SERIAL_END_ENDCODE2</code>	2-byte code
<code>_SERIAL_END_TERMINATION_CHAR</code>	Termination condition
<code>_SERIAL_END_RCV_SIZE</code>	Receive size

Refer to *Operation of Start Code and End Code* on page 2-1408 for details on the operation of start code and end code.

To set options, use the *Option* input variable.

The data type of the *Option* input variable is structure `_eSERIAL_RCV_OPTION`. The specifications are as follows:

Name	Meaning	Description	Data type	Valid range	Unit	Default
Option	Option	Option	_sSERIAL_RCV_OPTION	---	---	---
TimeOut* <sup>1</sup>	Timeout time	Timeout time	UINT	Depends on data type.	0.1 s	20
LastDatRcv (Reserved)	Last data reception	Last data reception	BOOL	FALSE* <sup>2</sup>	---	FALSE
ClearBuf (Reserved)	Receive buffer clear condition	Receive buffer clear condition	BOOL	Depends on data type.* <sup>3</sup>	---	FALSE

\*1. An error occurs if the processing does not ends normally within the specified time.

If *TimeOut* is set to 0, the completion of processing will be waited indefinitely.

\*2. Always set the value to FALSE.

\*3. Receive buffer clear is not executed even if either TRUE or FALSE is specified.



### Precautions for Correct Use

An error occurs if this instruction is executed for Units other than NX-series Communications Interface Units and Option Boards.

## Operation of Start Code and End Code

Use the *RcvCfg.StartTrig* input variable to set the start code condition for the receive data, and use the *RcvCfg.EndTrig* input variable to set the end code condition for the receive data.

The following table shows operation based on combination of *StartTrig* and *EndTrig*.

StartTrig	EndTrig	Operation
_SERIAL_START_NONE	_SERIAL_END_NONE	Data in the receive buffer is received. If there is no receive data in the receive buffer, 0 byte is output to the <i>RcvSize</i> output variable and the receive instruction ends normally. If this condition is set, the data of the storage size that is remaining in the receive buffer is read.
	_SERIAL_END_ENDCODE1 _SERIAL_END_ENDCODE2	The following range of data is received from the receive buffer: from the beginning to the end code. Example: ETX
	_SERIAL_END_TERMINATION_CHAR	The following range of data is received from the receive buffer: from the beginning to the data detected as the end. * <sup>1</sup>
	_SERIAL_END_RCV_SIZE	The following range of data is received from the receive buffer: from the beginning to the receive size specified in <i>RcvSizeCfg</i> . Processing is performed only after the specified amount of data is accumulated in the buffer.

StartTrig	EndTrig	Operation
_SERIAL_START_STARTCODE1 _SERIAL_START_STARTCODE2	_SERIAL_END_NONE	The following range of data is received from the receive buffer: from the start code to the end of data.
	_SERIAL_END_ENDCODE1 _SERIAL_END_ENDCODE2	The following range of data is received from the receive buffer: from the start code to the end code. Example: ETX
	_SERIAL_END_TERMINATION_CHAR	The following range of data is received from the receive buffer: from the start code to the data detected as the end. *1
	_SERIAL_END_RCV_SIZE	The following range of data is received from the receive buffer: from the start code to the receive size specified in <i>RcvSize</i> . Processing is performed only after the specified amount of data is accumulated in the buffer.

\*1. If the number of characters detected as the end of data in the Communications Interface Unit is set to 0 (*Do not detect the end*), reception will continue until the data of the storage size specified in the *Size* input variable is received.



#### Precautions for Correct Use

If **\_SERIAL\_END\_TERMINATION\_CHAR** is selected when an Option Board is specified, an error will occur.

## Operation When Receive Data Storage Is Insufficient

If the receive data storage specified in the *Size* input variable is smaller than the received data, operation is performed according to the combination of start and end codes, as shown below.

StartTrig	EndTrig	Operation
_SERIAL_START_NONE	_SERIAL_END_NONE	Normal end
	_SERIAL_END_ENDCODE1 _SERIAL_END_ENDCODE2	Error end, but data is received. Example: ETX
	_SERIAL_END_TERMINATION_CHAR	Error end, but data is received.*1
	_SERIAL_END_RCV_SIZE	<ul style="list-style-type: none"> <li>Error end for an input value check error</li> <li>Data cannot be received.</li> </ul>
_SERIAL_START_STARTCODE1 _SERIAL_START_STARTCODE2	_SERIAL_END_NONE	Error end, but data is received.
	_SERIAL_END_ENDCODE1 _SERIAL_END_ENDCODE2	Error end, but data is received. Example: ETX
	_SERIAL_END_TERMINATION_CHAR	Error end, but data is received.*1
	_SERIAL_END_RCV_SIZE	<ul style="list-style-type: none"> <li>Error end for an input value check error</li> <li>Data cannot be received.</li> </ul>

\*1. An error occurs if an Option Board is specified.

Data of the size of the storage *RcvDat* is received and the rest of data is retained in the receive buffer. The retained data can be received when the next *SerialRcv* instruction is executed.

For example, when 10-byte data exists in the receive buffer and the capacity of the receive data storage *RcvDat* is 5 bytes, 5-byte data is received and other 5-byte data is retained in the receive buffer. The value of the *RcvSize* output variable will be 5 bytes, which represents the size of data that is stored.

Receive buffer		Receive data storage <i>RcvDat</i> [ ]
1st byte	Receive processing is performed.	1
2nd byte		2
3rd byte		3
4th byte		4
5th byte		5
6th byte	Cannot be stored in <i>RcvDat</i> . Data is retained in the receive buffer. Receive processing for the data is performed when the next <i>NX_SerialRcv</i> instruction is executed.	---
7th byte		
8th byte		
9th byte		
10th byte		

### Interruption of Instruction Execution

If *Abort* is changed to TRUE during instruction execution, the execution is interrupted.

When the instruction execution is interrupted, *CommandAborted* changes to TRUE. The instruction is interrupted even when the data transmission is in progress.

If the instruction execution is completed before an attempt of interruption, *Done* changes to TRUE and the instruction ends normally.

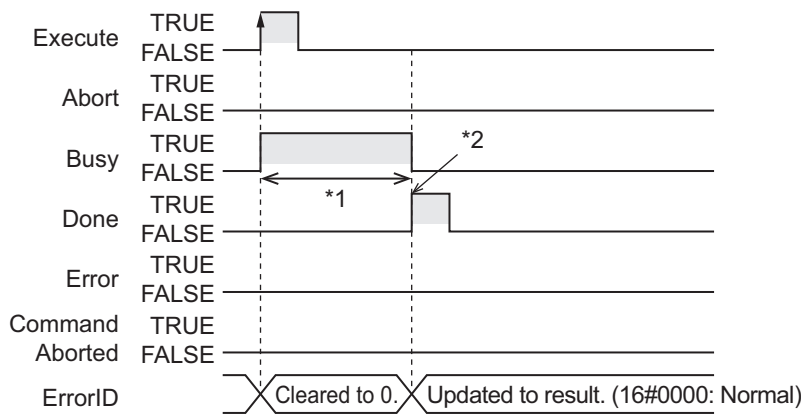
If both *Abort* and *Execute* are changed to TRUE, *CommandAborted* changes to TRUE.

The interruption operation only finishes the *Busy* processing, and it does not clear the send buffer. To clear the buffer, use the instruction, *NX\_SerialBufClear* on page 2-1470.

### Timing Charts

The following figures show the timing charts.

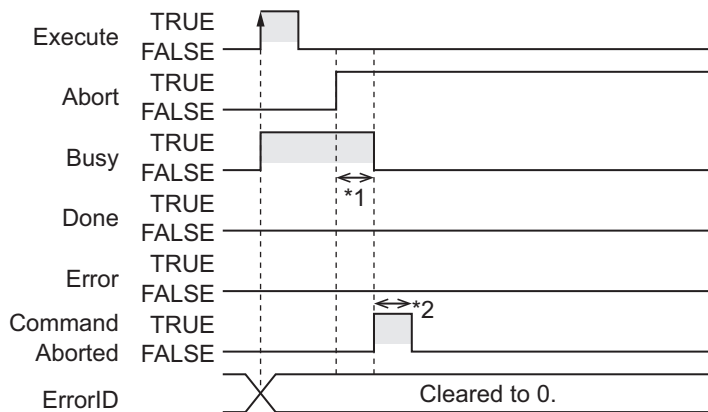
● Normal end



- \*1. Receive processing
- \*2. Data is received in No-protocol mode.

● Interruption executed (when *Busy* is TRUE)

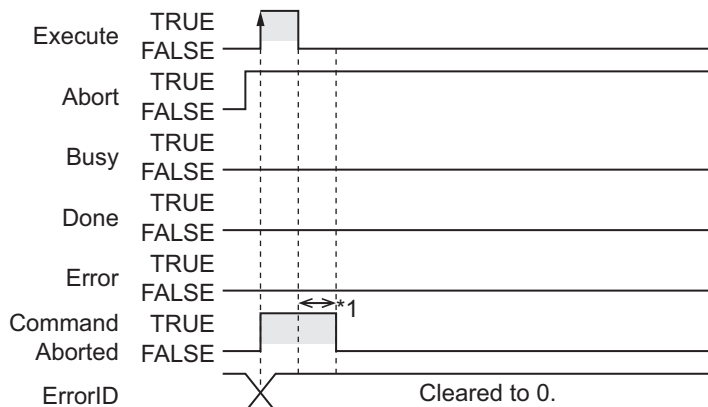
The operation is as follows if *Abort* is changed to TRUE while *Busy* is TRUE.



- \*1. Interruption processing
- \*2. Changes to FALSE after one task period.

● Interruption executed (when *Execute* is TRUE)

The operation is as follows if both *Abort* and *Execute* are changed to TRUE.



\*1. Changes to FALSE after one task period.

## Related System-defined Variables

Name	Meaning	Data type	Description
_PLC_OptBoardSta*1	Option Board Status	ARRAY[1..2] of _SOPTBOARD_STA	This stores the status of the Option Board.
_NXB_UnitIOActiveTbl*2	NX Unit I/O Data Active Status	ARRAY[0..32] OF BOOL*3	<ul style="list-style-type: none"> <li>This status tells the NX Units whether I/O data communications can be processed.</li> <li>The subscript of the array corresponds to the NX Unit numbers. A subscript of 0 means the NX bus master.</li> </ul>

\*1. You can use this variable only with NX1P2 CPU Units.

\*2. You can use this variable with NX502 CPU Units, NX102 CPU Units, and NX1P2 CPU Units.

\*3. For the NX1P2 CPU Units, the data type is *ARRAY [0..8] OF BOOL*.

## Precautions for Correct Use

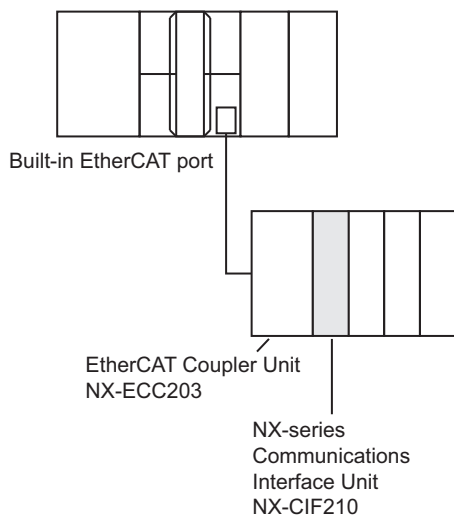
- While *Abort* remains FALSE, execution of this instruction is continued until completed even when *Execute* changes to FALSE or the execution time exceeds the task period. The value of *Done* changes to TRUE when the execution is completed. Use this to confirm normal completion of processing. If *Abort* is changed to TRUE during instruction execution, *CommandAborted* or *Done* changes to TRUE.
- Data is not received when *RcvCfg.EndTrig* is *\_SERIAL\_END\_RCV\_SIZE* and the value of the *RcvCfg.RcvSizeCfg* input variable is 0. In this case, the value of *Done* changes to TRUE at instruction execution.
- A compiling error will occur if you use this instruction in an event task. Do not use this instruction in event tasks.
- A *CIF Unit Initialized* error may occur when the NX-series Communications Interface Unit is restarted. Send or receive the data again, if necessary.
- If you use this instruction, do not assign device variables to any I/O ports that are indicated with *W* in the R/W column on the I/O Map Tab Page in the Sysmac Studio for the applicable NX-series Communications Interface Unit.
- An error will occur in the following cases. *Error* will change to TRUE.
  - A value that is out of range is set for *RcvCfg.RcvSizeCfg* while *RcvCfg.EndTrig* is set to *\_SERIAL\_END\_RCV\_SIZE*.
  - A value that is out of range is set for *Size*, *DevicePort.DevicePortType* or *DevicePort.PortNo*.
  - Option.LastDatRcv* is TRUE.
  - The array variable specified for the *RcvDat* in-out variable is smaller than the size specified with the *Size* input variable.
  - The storage size that is specified by *Size* for saving the data in *RcvDat* is smaller than the actually received data.
  - The Unit, Option Board, or port specified with *DevicePort* does not exist.
  - The data type of *DevicePort* is invalid.
  - \_SERIAL\_END\_TERMINATION\_CHAR* is selected with *RcvCfg.EndTrig* when an Option Board is specified with *DevicePort*.

- i) More than 32 of the following instructions were executed at the same time: NX\_SerialSend, NX\_SerialRcv, NX\_ModbusRtuCmd, NX\_ModbusRtuRead, NX\_ModbusRtuWrite, NX\_SerialSigCtl, NX\_SerialSigRead, NX\_SerialStatusRead, NX\_SerialBufClear, NX\_SerialStartMon, and NX\_SerialStopMon.
- j) The receive buffer is full.
- k) This instruction is executed with a device port variable that is the same as the one specified for another instruction that is still being executed.  
In this case, the instruction which is still being executed is one of the followings: the NX\_SerialRcv instruction, NX\_ModbusRtuCmd instruction, NX\_ModbusRtuRead instruction, and NX\_ModbusRtuWrite instruction.
- l) A parity error occurred in the data received.
- m) A framing error occurred in the data received.
- n) An overrun error occurred in the data received.
- o) Timeout time elapsed.
- p) This instruction is executed for Units other than NX-series Communications Interface Units and Option Boards.
- q) The serial communications mode of the specified Option Board is not *No-protocol*.

## Sample Programming

In this sample, an NX-series Communications Interface Unit (NX-CIF210) is connected to an EtherCAT Coupler Unit (NX-ECC203).

The unit number of the NX-CIF210 is set to 1.



Data that was read by the barcode reader which is connected to serial port 2 of the NX-CIF210 is obtained.

The receive data is stored in the *RecvDat* in-out variable. There is no start code. End code is 16#0D (CR).

The settings of NX-CIF210 are given in the following table.

Item	Set value
Port 2: Baud Rate	38,400 bps
Port 2: Data Length	8 bits
Port 2: Parity	None

Item	Set value
Port 2: Stop Bits	1 bit
Port 2: Flow Control	None

## Definitions of Global Variables

### ● Global Variables

Name	Data type	AT	Comment
E001_NX_Unit_I_O_Data_Active_Status_63	ARRAY[0..63] OF BOOL	ECAT://node#1/NX Unit I/O Data Active Status 125	Usage of I/O data for 63 NX Units.
N1_Node_location_information	_sNXUNIT_ID	---	Device variable to specify NX- CIF210*1

\*1. On the Sysmac Studio, right-click an NX-series slave terminal unit, select **Display Node Location Port**, and set the device variable. Refer to the *Sysmac Studio Version 1 Operation Manual (Cat. No. W504)* for details.

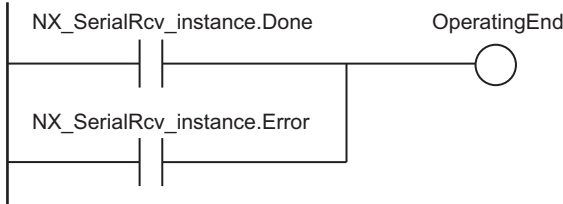
## LD

Internal Variables	Variable	Data type	Initial value	Comment
	OperationEnd	BOOL	FALSE	Processing completed
	Trigger	BOOL	FALSE	Execution condition
	Operating	BOOL	FALSE	Processing
	DevicePort	_sDEVICE_PORT		Port settings
	RecvDat	ARRAY[0..255] OF BYTE	[256(16#0)]	Receive data
	RecvSize	UINT	0	Receive data size
	RecvStringDat	STRING[257]	"	
	Code	ULINT	0	Barcode (integer)
	RS_instance	RS		
	NX_SerialRcv_instance	NX_SerialRcv		
	RcvCfg	_sSERIAL_CFG		Reception completion setting
	StartTrig	_eSERIAL_START	_SERIAL_START_NONE	Without start code
	StartCode	BYTE[2]	[2(16#0)]	
	EndTrig	_eSERIAL_END	_SERIAL_END_ENDCODE1	With end code
	EndCode	BYTE[2]	[16#0D, 16#00]	16#0D(CR)
	RcvSizeCfg	UINT	0	
	Option	_sSERIAL_RCV_OPTION		Option
	TimeOut	UINT	0	
	LastDatRcv	BOOL	FALSE	

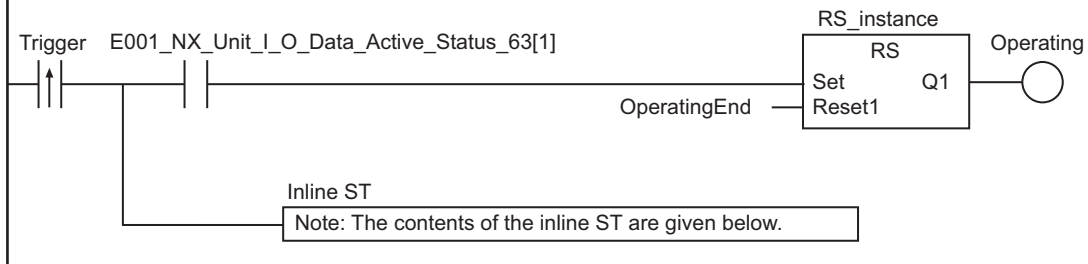


External Variables	Variable	Data type	Comment
	E001_NX_Unit_I_O_Data_Active_Status_63	ARRAY[0..63] OF BOOL	<ul style="list-style-type: none"> <li>Usage of I/O data for 63 NX Units.</li> <li>If the relevant Unit number is 1, E001_NX_Unit_I_O_Data_Active_Status_63[1] is used.</li> </ul>
	N1_Node_location_information	_sNXUNIT_ID	Device variable to specify NX-CIF210

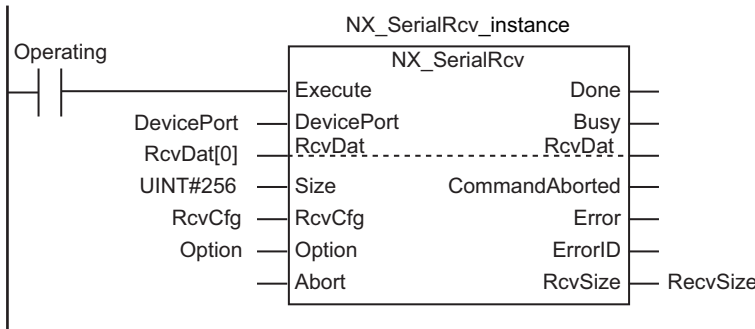
Determine if execution of the NX\_SerialRcv instruction has ended.



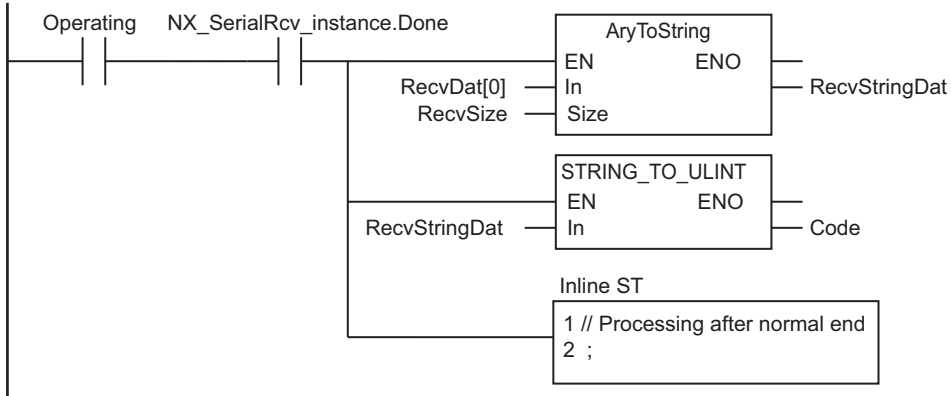
Accept trigger.

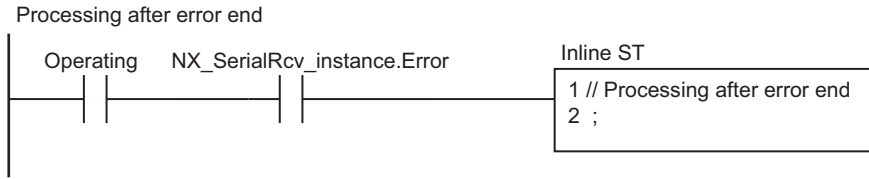


Execute NX\_SerialRcv instruction.



Processing after normal end





### ● Contents of Inline ST

```

DevicePort.DeviceType:=_eDEVICE_TYPE#_DeviceNXUnit;
DevicePort.NxUnit:=N1_Node_location_information;
DevicePort.PortNo:=2;
  
```

## ST

Internal Variables	Variable	Data type	Initial value	Comment
	Trigger	BOOL	FALSE	Execution condition
	LastTrigger	BOOL	FALSE	Value of Trigger from previous task period
	OperatingStart	BOOL	FALSE	Processing started
	Operating	BOOL	FALSE	Processing
	DevicePort	_sDEVICE_PORT		Port settings
	RecvDat	ARRAY[0..255] OF BYTE	[256(16#0)]	Receive data
	RecvSize	UINT	0	Receive data size
	RecvStringDat	STRING[257]	"	
	Code	ULINT	0	Barcode (integer)
	NX_SerialRcv_instance	NX_SerialRcv		
	RcvCfg	_sSERIAL_CFG		Reception completion setting
	StartTrig	_eSERIAL_START	_SERIAL_START_NONE	Without start code
	StartCode	BYTE[2]	[2(16#0)]	
	EndTrig	_eSERIAL_END	_SERIAL_END_ENDCODE1	With end code
	EndCode	BYTE[2]	[16#0D, 16#00]	16#0D(CR)
	RcvSizeCfg	UINT	0	
	Option	_sSERIAL_RCV_OPTION		Option
	TimeOut	UINT	0	
	LastDatRcv	BOOL	FALSE	

External Variables	Variable	Data type	Comment
	E001_NX_Unit_I_O_Data_Active_Status_63	ARRAY[0..63] OF BOOL	<ul style="list-style-type: none"> <li>Usage of I/O data for 63 NX Units.</li> <li>If the relevant Unit number is 1, E001_NX_Unit_I_O_Data_Active_Status_63[1] is used.</li> </ul>
	N1_Node_location_information	_sNXUNIT_ID	Device variable to specify NX-CIF210

```

// Detect when Trigger changes to TRUE.
IF ( (Trigger=TRUE) AND (LastTrigger=FALSE)
    AND(E001_NX_Unit_I_O_Data_Active_Status_63[1]) AND (SerialRcv_instance.Busy=FALSE) ) THEN
    OperatingStart:=TRUE;
    Operating:=TRUE;
    DevicePort.DeviceType:=_eDEVICE_TYPE#_DeviceNXUnit;
    DevicePort.NxUnit:=N1_Node_location_information;
    DevicePort.Port.PortNo:=2;
END_IF;
LastTrigger:=Trigger;

// Set communications parameters and initialize SerialRcv instruction.
IF (OperatingStart=TRUE) THEN
    NX_SerialRcv_instance(
        Execute:=FALSE,           // Initialize instance.
        DevicePort:=DevicePort,  // Port settings
        Size:=UINT#256,,         // Receive data size
        RcvDat:=RcvDat,          // Receive data
        RcvSize=>RcvSize);       // Data size that was actually
received
    OperatingStart:=FALSE;
END_IF;
// Execute NX_SerialRcv instruction.
IF (Operating=TRUE) THEN
    NX_SerialRcv_instance(
        Execute:=TRUE,
        DevicePort:=DevicePort,
        Size:=UINT#256,
        RcvDat:=RcvDat,
        RcvSize=>RcvSize);
    IF (NX_SerialRcv_instance.Done=TRUE) THEN
        // Processing after normal end
        RcvStringDat:=AryToString(In:=RcvDat[0],Size:=RcvSize); // Convert
character codes to a text string.
        Code:=STRING_TO_ULINT(RcvDat); // Convert text string to an integer.

        Operating:=FALSE;
    END_IF;

```

```
IF (NX_SerialRcv_instance.Error=TRUE) THEN
    // Processing after error end
    Operating:=FALSE;
END_IF;
END_IF;
```

# NX\_ModbusRtuCmd

The NX\_ModbusRtuCmd instruction sends general commands from a serial port on an NX-series Communications Interface Unit or Option Board to Modbus-RTU slaves using Modbus-RTU protocol.

Instruction	Name	FB/ FUN	Graphic expression	ST expression
NX_ModbusRtuCmd	Send Modbus RTU General Command	FB		<code>NX_ModbusRtuCmd_in- stance( Execute, DevicePort, SlaveAdr, CmdDat, CmdSize, Re- spDat, Option, Abort, Done, Busy, CommandAborted, Error, ErrorID, ErrorIDEx, RespSize);</code>



## Version Information

A CPU Unit with unit version 1.11 or later and Sysmac Studio version 1.15 or higher are required to use this instruction.

## Variables

	Meaning	I/O	Description	Valid range	Unit	Default
DevicePort	Device port	Input	Object that represents a device port	---	---	---
SlaveAdr	Slave address		Address of Modbus-RTU slave*1	0 to 247	---	1
CmdDat[] (array)	Command data		Command data	Depends on data type.	---	*2
CmdSize	Command data size		Command data size	1 to 253	Bytes	*2*3
Option	Option		Option	---	---	---
Abort	Interruption		Interruption of instruction execution	Depends on data type.	---	FALSE
RespDat[] (array)	Read data	In-out	Variable that stores read data	Depends on data type.	---	---
CommandAborted	Interruption completion	Output	Interruption completion	Depends on data type.	---	---
RespSize	Receive size		Receive data size	1 to 253	Bytes	*4

\*1. If 0 is set, you can broadcast commands to Modbus-RTU slaves.

\*2. If you omit an input parameter, the default value is not applied. A building error will occur.

\*3. Set the total number of bytes for the function code and command data. The number of bytes for the function code is one.

\*4. The total number of bytes for the function code and read data is stored. The number of bytes for the function code is one.

	Boo lean	Bit strings					Integers							Real num- bers		Times, durations, dates, and text strings				
	BOOL	BYTE	WORD	DWORD	LWORD	USINT	UINT	UDINT	ULINT	SINT	INT	DINT	LINT	REAL	LREAL	TIME	DATE	TOD	DT	STRING
DevicePort	Refer to <i>Function</i> on page 2-1420 for details on the structure <code>_sDEVICE_PORT</code> .																			
SlaveAdr							OK													
CmdDat[] (array)		OK																		
CmdSize							OK													
Option	Refer to <i>Function</i> on page 2-1420 for details on the structure <code>_sSERIAL_MODBUSRTU_OPTION</code> .																			
Abort	OK																			
RespDat[]ar- ray		OK																		
CommandA- borted	OK																			
RespSize							OK													

## Function

The `NX_ModbusRtuCmd` instruction sends general commands from a serial port on an NX-series Communications Interface Unit or Option Board to Modbus-RTU slaves using Modbus-RTU protocol. This instruction ends normally when a normal response to the sent command is received. When a command is broadcasted, this instruction ends normally without waiting for responses from slaves.

The data type of the *DevicePort* input variable is structure `_sDEVICE_PORT`. The specifications are as follows:

Name	Meaning	Description	Data type	Valid range	Unit	De- fault
DevicePort	Device port	Object that represents a device port	<code>_sDEVICE_PORT</code>	---	---	---
DeviceType	Device type	Type of the device to specify	<code>_eDEVICE_TYPE</code>	<code>_DeviceNXUnit</code> <code>_DeviceEcat-Slave</code> <code>_DeviceOption-Board</code>	---	---
NxUnit	Specified Unit	NX Unit to control	<code>_sNXUNIT_ID</code>	---	---	---
EcatSlave	Specified slave	EtherCAT slave to control	<code>_sECAT_ID</code>	---	---	---
OptBoard	Specified Option Board	Option Board to control	<code>_sOPTBOARD_ID</code>	---	---	---
Reserved	Reserved	Reserved	Reserved	---	---	---
PortNo	Port number	Port number 1: Port 1 2: Port 2	USINT	Depends on data type.	---	---

Use *DeviceType* to specify the device type.

Set this to `_DeviceNXUnit` for an NX Unit and `_DeviceOptionBoard` for an Option Board.

The variable used to specify the device is determined by the specified device type.

To specify an NX Unit, use *NxUnit* to specify the device.

In this case, *EcatSlave* and *OptBoard* are not used.

To *NxUnit*, pass the device variable that is assigned to the node location information on the I/O Map for the device to specify.

To specify an Option Board, use *OptBoard* to specify the device.

In this case, *NxUnit* and *EcatSlave* are not used.

To *OptBoard*, pass the device variable that is assigned to the node location information on the I/O Map for the device to specify.

If you use this instruction, be sure to assign a device variable to the node location information. Do not assign device variables to any I/O ports following the node location information that are indicated by *W* under the R/W column.

The figure below is an example of using this instruction for port 1 on an NX-CIF210.

Position	Port	Description	R/W	Data Type	Variable
Unit1	NX-CIF210	Node location information	R	_sNXUNIT_ID	N1_Node_location_information
		...			
		Ch1 Output SID	W	JSINT	
		Ch1 Input SID Response	W	JSINT	
		▶ Ch1 Output Data Type	W	WORD	
		Ch1 Output Sub Info	W	WORD	
		Ch1 Output Data Length	W	UINT	
		▶ Ch1 Output Data 01	W	ARRAY[0..3] OF BYTE	
		▶ Ch1 Output Data 02	W	ARRAY[0..3] OF BYTE	
		▶ Ch1 Output Data 03	W	ARRAY[0..3] OF BYTE	
		▶ Ch1 Output Data 04	W	ARRAY[0..3] OF BYTE	
		▶ Ch1 Output Data 05	W	ARRAY[0..3] OF BYTE	

Refer to the *Sysmac Studio Version 1 Operation Manual (Cat. No. W504)* for details on assigning a device variable to the node location information.

Use *PortNo* to specify the port number.

1: Port 1

2: Port 2

For an NX Unit, set this to Port 1 or Port 2.

For an Option Board, set this to Port 1.

The data type of *DeviceType* is enumerated type `_eDEVICE_TYPE`.

The meanings of the enumerators of enumerated type `_eDEVICE_TYPE` are as follows:

Enumerator	Meaning
<code>_DeviceNXUnit</code>	NX Unit is specified.
<code>_DeviceEcatSlave</code>	EtherCAT slave is specified.
<code>_DeviceOptionBoard</code>	Option Board is specified.

In this instruction, you can specify `_DeviceNXUnit` or `_DeviceOptionBoard`.

Use the *SlaveAdr* input variable to specify the address of a Modbus-RTU slave.

To broadcast commands to Modbus-RTU slaves, set the *SlaveAdr* input variable to 0.

Set the command data with the *CmdDat* input variable, and set the size of command data with the *CmdSize* input variable.

CRC is attached by the instruction.

Use the *RespDat* in-out variable to specify the variable to store the read data.

The *RespSize* output variable represents the size of received data.

To set options, use the *Option* input variable.

The data type of the *Option* input variable is structure `_sSERIAL_MODBUSRTU_OPTION`. The specifications are as follows:

Name	Meaning	Description	Data type	Valid range	Unit	Default
Option	Option	Option	_sSERIAL_MODBUSRTU_OPTION	---	---	---
SendDelay	Send delay time	Send delay time in units of 0.01 s	UINT	Depends on data type.	0.01 s	0
TimeOut	Timeout time	Timeout time If 0 is set, the timeout time is 2.0 s.	UINT	Depends on data type.	0.1 s	20
NoResponse	No response	<ul style="list-style-type: none"> <li>Set TRUE when no response is waited for the send command.</li> <li>If TRUE is set, this instruction sends a command and ends normally without waiting for the elapse of the timeout time.</li> </ul>	BOOL	Depends on data type.	---	FALSE
Retry	Retry count	Retry count	USINT	0 to 15	---	0



### Precautions for Correct Use

An error occurs if this instruction is executed for Units other than NX-series Communications Interface Units and Option Boards.

## Interruption of Instruction Execution

If *Abort* is changed to TRUE during instruction execution, the execution is interrupted.

When the instruction execution is interrupted, *CommandAborted* changes to TRUE.

If the instruction execution is completed before an attempt of interruption, *Done* changes to TRUE and the instruction ends normally.

If both *Abort* and *Execute* are changed to TRUE, *CommandAborted* changes to TRUE.

This interruption operation only finishes the *Busy* processing, and it does not clear the send or receive buffer. To clear the buffer, use the instruction, *NX\_SerialBufClear* on page 2-1470.

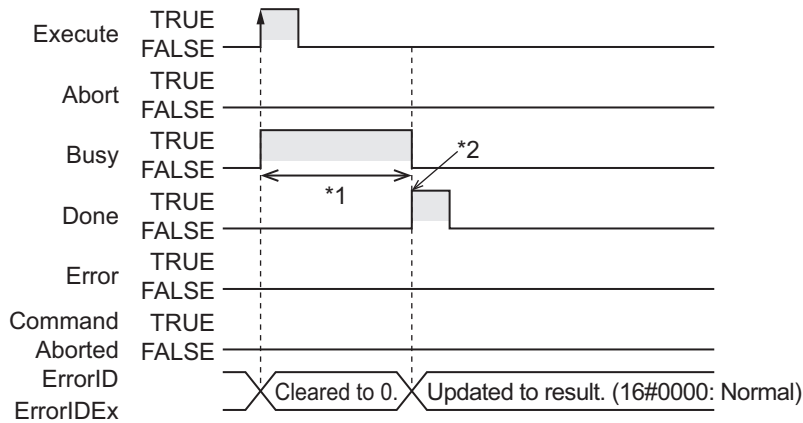
## Timing Charts

The following figures show the timing charts.



### ● Normal end (when *SendDelay* is 0 (0 s))

The operation is as follows when *SendDelay* is 0 (0 s).

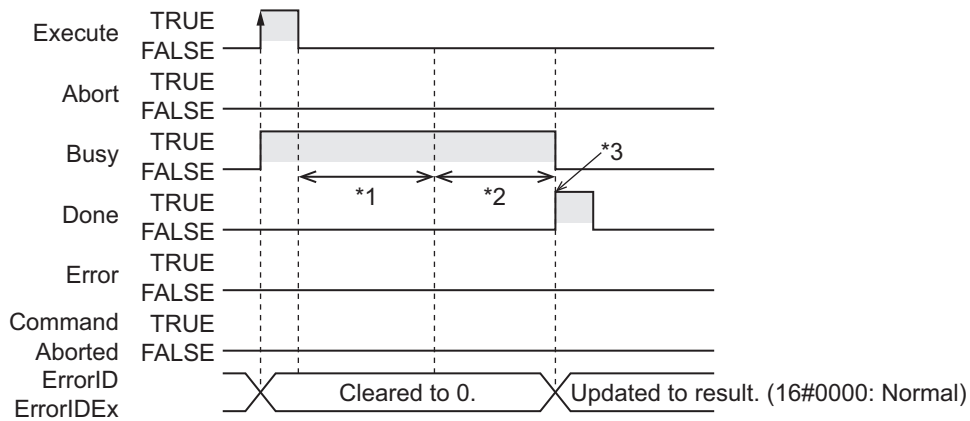


\*1. Processing with Modbus-RTU slave

\*2. A response to the command is received.

### ● Normal end (when *SendDelay* is 100 (1 s))

The operation is as follows when *SendDelay* is 100 (1 s).



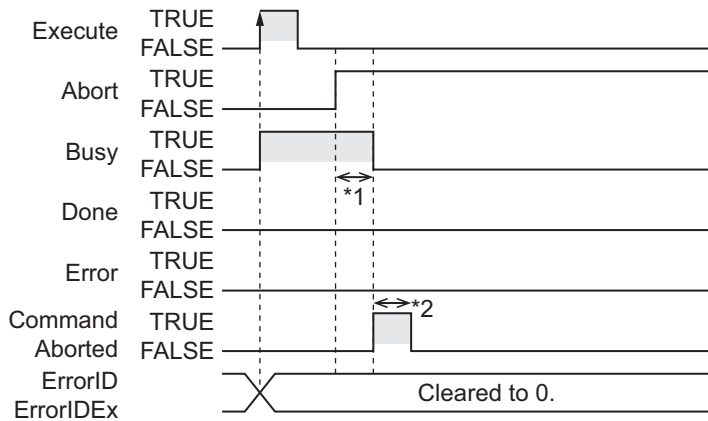
\*1. The send delay time of 1 s

\*2. A command is sent to a Modbus-RTU slave, and a response is received from the Modbus-RTU slave.

\*3. A response to the command is received.

### ● Interruption executed (when *Busy* is TRUE)

The operation is as follows if *Abort* is changed to TRUE while *Busy* is TRUE.

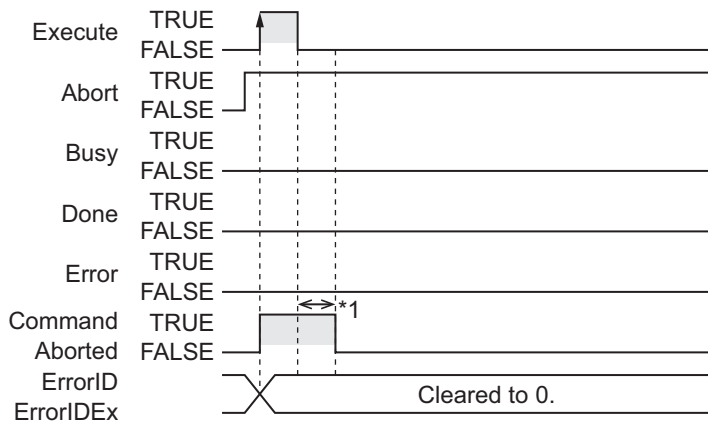


\*1. Interruption processing

\*2. Changes to FALSE after one task period.

### ● Interruption executed (when *Execute* is TRUE)

The operation is as follows if both *Abort* and *Execute* are changed to TRUE.



\*1. Changes to FALSE after one task period.

## Related System-defined Variables

Name	Meaning	Data type	Description
_PLC_OptBoard-Sta <sup>*1</sup>	Option Board Status	ARRAY[1..2] of _sOPTBOARD_STA	This stores the status of the Option Board.
_NXB_UnitIOActiveTbi <sup>*2</sup>	NX Unit I/O Data Active Status	ARRAY[0..32] OF BOOL <sup>*3</sup>	<ul style="list-style-type: none"> <li>This status tells the NX Units whether I/O data communications can be processed.</li> <li>The subscript of the array corresponds to the NX Unit numbers. A subscript of 0 means the NX bus master.</li> </ul>

\*1. You can use this variable only with NX1P2 CPU Units.

\*2. You can use this variable with NX502 CPU Units, NX102 CPU Units, and NX1P2 CPU Units.

\*3. For the NX1P2 CPU Units, the data type is ARRAY [0..8] OF BOOL.

## Additional Information

The frame format used in Modbus-RTU mode is as follows.

Slaves Address	Function Code	Data	CRC
1 byte	1 byte	0 to 252 bytes	2 bytes*

\* In CRC code, the low byte comes first, and the high byte comes second.

Refer to the *MODBUS Application Protocol Specification* for the specifications of the MODBUS communications protocol.

You can obtain *MODBUS Application Protocol Specification* from Modbus Organization, Inc.  
<http://www.modbus.org/>

## Precautions for Correct Use

- Execution of this instruction is continued until completed even when *Execute* changes to FALSE or the execution time exceeds the task period.  
 The value of *Done* changes to TRUE when the execution is completed. Use this to confirm normal completion of processing. If *Abort* is changed to TRUE during instruction execution, *CommandAborted* or *Done* changes to TRUE.
- A compiling error will occur if you use this instruction in an event task. Do not use this instruction in event tasks.
- A *CIF Unit Initialized* error may occur when the NX-series Communications Interface Unit is restarted. Send or receive the data again, if necessary.
- If you use this instruction, do not assign device variables to any I/O ports that are indicated with *W* in the R/W column on the I/O Map Tab Page in the Sysmac Studio for the applicable NX-series Communications Interface Unit.
- Data may still remain in the buffer of the target device port in the following cases. To clear the buffer, execute the NX\_SerialBufClear instruction before executing the following instructions: NX\_ModbusRtuCmd instruction, NX\_ModbusRtuRead instruction, or NX\_ModbusRtuWrite instruction.
  - a) After the operation starts or when you change the operating mode to RUN mode.
  - b) The retry was set (i.e., *Option.Retry* is not 0) in the previous instruction execution.
  - c) The previous instruction execution is interrupted (i.e., the *CommandAborted* output variable is TRUE).
  - d) An error occurred (i.e., *Error* is TRUE) in the previous instruction execution.
- An error will occur in the following cases. *Error* will change to TRUE.
  - a) A value that is out of range was set for *CmdSize*, *Option.Retry*, *DevicePort.DevicePortType*, *DevicePort.PortNo*, or *SlaveAdr*.
  - b) The variable specified with *CmdDat* is smaller than the size specified with *CmdSize*.
  - c) The size of the received data is larger than the size of the variable set in *RespDat*.
  - d) The Unit or port specified with *DevicePort* does not exist.
  - e) The data type of *DevicePort* is invalid.
  - f) More than 32 of the following instructions were executed at the same time: NX\_SerialSend, NX\_SerialRcv, NX\_ModbusRtuCmd, NX\_ModbusRtuRead, NX\_ModbusRtuWrite, NX\_SerialSigCtl, NX\_SerialSigRead, NX\_SerialStatusRead, NX\_SerialBufClear, NX\_SerialStartMon, and NX\_SerialStopMon.
  - g) This instruction is executed with a device port variable that is the same as the one specified for the instruction which is still being executed.

In this case, the instruction which is still being executed is one of the followings. The NX\_Serial-Send instruction, NX\_SerialRcv instruction, NX\_ModbusRtuCmd instruction, NX\_ModbusRtu-Read instruction, and NX\_ModbusRtuWrite instruction.

- h) A parity error occurred in the data received.
  - i) A framing error occurred in the data received.
  - j) An overrun error occurred in the data received.
  - k) CRC mismatch occurred for the received data.
  - l) Timeout time elapsed.
  - m) This instruction is executed for Units other than NX-series Communications Interface Units and Option Boards.
  - n) An Exception Response was received from a Modbus-RTU slave. You can check Exception Codes with the *ErrorIDEx* output variable.
  - o) There was an invalid function code, receive size, etc. in the response data from a Modbus-RTU slave.
  - p) The serial communications mode of the specified Option Board is not *Modbus-RTU master*.
- In this instruction, the expansion error code *ErrorIDEx* is displayed when an error is detected in a Modbus-RTU slave. An expansion error code is output to *ErrorIDEx* when the value of error code *ErrorID* is *WORD#16#0C10*. The display format is *ErrorIDEx=000000XX*. For the value *XX*, refer to the Exception Code specifications of the MODBUS communications protocol.

Refer to the *MODBUS Application Protocol Specification* for the Exception Code specifications of the MODBUS communications protocol.

You can obtain *MODBUS Application Protocol Specification* from Modbus Organization, Inc.

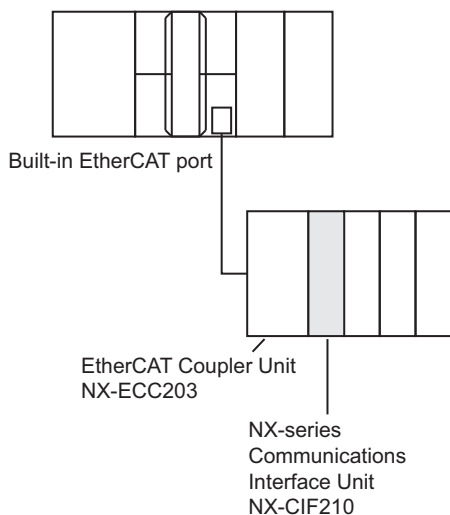
<http://www.modbus.org/>

## Sample Programming

In this sample, an NX-series Communications Interface Unit (NX-CIF210) is connected to an EtherCAT Coupler Unit (NX-ECC203).

The unit number of the NX-CIF210 is set to 1.

For the Unit operation settings of the NX-CIF210, set **Ch2 Number of Characters to Determine the End** to 35. The number of characters is regarded as 3.5 during operation because the unit for setting the Number of Characters to Determine the End is 0.1 character.



When *Trigger* changes to TRUE, the instruction clears the buffer of the serial port 2 on the NX-CIF210 and then sends a Modbus-RTU command.

It reads a holding register from the read start address 32 (BYTE#16#0020) in slave address 1.

General commands are sent/received to read a variable.

## ST

Internal Variables	Variable	Data type	Initial value	Comment
	Stage	INT	0	
	Trigger	BOOL	FALSE	Execution condition
	DevicePort	_sDEVICE_PORT		Port settings
	NX_SerialBufClear_instance	NX_SerialBufClear		Clear buffer
	ClearDone	BOOL		
	ClearError	BOOL		
	NX_ModbusRtuCmd_instance	NX_ModbusRtuCmd		
	ModbusSlaveAdr	UINT	UINT#0	Slave address
	ModbusCmdDat	ARRAY[0..19] OF BYTE		Modbus command data
	ModbusDatSize	UINT	UINT#0	Modbus command data total size (byte)
	ModbusRespDat	ARRAY[0..275] OF BYTE		Received data storage area
	ModbusDone	BOOL		
	ModbusCommandAborted	BOOL		
	ModbusError	BOOL		
	ModbusRspSize	UINT		Actually received data size (byte)
	DoModbusTrigger	BOOL		

External Variables	Variable	Data type	Constant	Comment
	N1_Node_location_information	_sNXUNIT_ID	<input checked="" type="checkbox"/>	

```
// Start sequence when Trigger changes to TRUE.
IF (Trigger=TRUE) AND (DoModbusTrigger=FALSE) THEN
  DoModbusTrigger := TRUE;

  NX_SerialBufClear_instance(Execute := FALSE,
    DevicePort:=DevicePort );
  NX_ModbusRtuCmd_instance(Execute:= FALSE,
    DevicePort:=DevicePort,
```

```

        CmdDat:=ModbusCmdDat[1],
        CmdSize:=ModbusDatSize,
        RespDat:=ModbusRespDat[0] );
    Stage := 1; // Initialization completed.
END_IF;

IF (DoModbusTrigger=TRUE) THEN
    CASE Stage OF
    1: // Buffer clear request
        DevicePort.DeviceType:=_eDEVICE_TYPE#_DeviceNXUnit;
        DevicePort.NxUnit:=N1_Node_location_information;
        DevicePort.PortNo:=2;

        NX_SerialBufClear_instance(Execute := TRUE,
            DevicePort:=DevicePort,
            Done => ClearDone,
            Error => ClearError);

        IF (ClearDone = TRUE) THEN
            Stage := 2; // Buffer clear is normal end.
        ELSIF ( ClearError = TRUE ) THEN
            Stage := 99; // Buffer clear is error end.
        END_IF;

    2: // Modbus Cmd send request
        ModbusSlaveAdr := 1; // Slave address
        ModbusCmdDat[1]:=BYTE#16#03; // Function code (read variable)
        ModbusCmdDat[2]:=BYTE#16#00; // Read start address (H)
        ModbusCmdDat[3]:=BYTE#16#20; // Read start address (L)
        ModbusCmdDat[4]:=BYTE#16#00; // Number of data (H)
        ModbusCmdDat[5]:=BYTE#16#01; // Number of data (L)
        ModbusDatSize:=5;

        NX_ModbusRtuCmd_instance(Execute:= TRUE,
            DevicePort:=DevicePort,
            SlaveAdr:=ModbusSlaveAdr,
            CmdDat:=ModbusCmdDat[1],
            CmdSize:=ModbusDatSize,
            RespDat:=ModbusRespDat[0],
            Done=>ModbusDone,
            CommandAborted=>ModbusCommandAborted,
            Error=>ModbusError,
            RespSize=>ModbusRspSize);

        IF (ModbusDone = TRUE) THEN
            Stage := 3; // The NX_ModbusRtuCmd instruction is normal end.
        ELSIF (ModbusError=TRUE) OR (ModbusCommandAborted=TRUE) THEN

```

```
        Stage :=99; // The NX_ModbusRtuCmd instruction is error end or Abort.
    END_IF;

3: // Processing after the NX_ModbusRtuCmd instruction is normal end.
    Trigger := FALSE;
    DoModbusTrigger := FALSE;

99: // Error Processing
    Trigger := FALSE;
    DoModbusTrigger := FALSE;
END_CASE;
END_IF;
```

# NX\_ModbusRtuRead

The NX\_ModbusRtuRead instruction sends read commands from a serial port on an NX-series Communications Interface Unit or Option Board to Modbus-RTU slaves using Modbus-RTU protocol.

Instruction	Name	FB/ FUN	Graphic expression	ST expression
NX_ModbusRtuRead	Send Modbus RTU Read Command	FB		<pre>NX_ModbusRtuRead_in- stance( Execute, DevicePort, SlaveAdr, ReadCmd, ReadDat, Option, Abort, Done, Busy, Com- mandAborted, Error, ErrorID, Er- rorIDEx, ReadSize);</pre>



## Version Information

A CPU Unit with unit version 1.11 or later and Sysmac Studio version 1.15 or higher are required to use this instruction.

## Variables

	Meaning	I/O	Description	Valid range	Unit	Default
DevicePort	Device port	Input	Object that represents a device port	---	---	---
SlaveAdr	Slave address		Address of Modbus-RTU slave*1	1 to 247	---	1
ReadCmd	Read command		Read command	---	---	*2
Option	Option		Option	---	---	---
Abort	Interruption		Interruption of instruction execution	Depends on data type.	---	FALSE
ReadDat[] (array)	Read data	In-out	Variable that stores read data	Depends on data type.	---	---
CommandAborted	Interruption completion	Output	Interruption completion	Depends on data type.	---	---
ReadSize	Receive size		Receive data size	1 to 2,000*3	---*4	---

\*1. An error occurs if 0 is set.

\*2. If you omit an input parameter, the default value is not applied. A building error will occur.

\*3. If receive data is WORD data, the upper limit value is 125.

\*4. The unit is the same as the unit of read data specified with *ReadCmd.Fun*.



	Boo lean	Bit strings				Integers							Real num bers		Times, durations, dates, and text strings					
	BOOL	BYTE	WORD	DWORD	LWORD	USINT	UINT	UDINT	ULINT	SINT	INT	DINT	LINT	REAL	LREAL	TIME	DATE	TOD	DT	STRING
DevicePort	Refer to <i>Function</i> on page 2-1431 for details on the structure <code>_sDEVICE_PORT</code> .																			
SlaveAdr							OK													
ReadCmd	Refer to <i>Function</i> on page 2-1431 for details on the structure <code>_sSERIAL_MODBUSRTU_READ</code> .																			
Option	Refer to <i>Function</i> on page 2-1431 for details on the structure <code>_sSERIAL_MODBUSRTU_OPTION</code> .																			
Abort	OK																			
ReadDat[] (array)	OK		OK																	
	An array can also be specified.																			
CommandA- borted	OK																			
ReadSize							OK													

## Function

The `NX_ModbusRtuRead` instruction sends read commands from a serial port on an NX-series Communications Interface Unit or Option Board to Modbus-RTU slaves using Modbus-RTU protocol. The requested data is read from the Modbus-RTU slaves.

This instruction ends normally when a normal response to the sent command is received.

The data type of the *DevicePort* input variable is structure `_sDEVICE_PORT`. The specifications are as follows:

Name	Meaning	Description	Data type	Valid range	Unit	De- fault
DevicePort	Device port	Object that represents a device port	<code>_sDEVICE_PORT</code>	---	---	---
DeviceType	Device type	Type of the device to specify	<code>_eDEVICE_TYPE</code>	<code>_DeviceNXUnit</code> <code>_DeviceEcat-Slave</code> <code>_DeviceOption-Board</code>	---	---
NxUnit	Specified Unit	NX Unit to control	<code>_sNXUNIT_ID</code>	---	---	---
EcatSlave	Specified slave	EtherCAT slave to control	<code>_sECAT_ID</code>	---	---	---
OptBoard	Specified Option Board	Option Board to control	<code>_sOPTBOARD_ID</code>	---	---	---
Reserved	Reserved	Reserved	Reserved	---	---	---
PortNo	Port number	Port number 1: Port 1 2: Port 2	USINT	Depends on data type.	---	---

Use *DeviceType* to specify the device type.

Set this to `_DeviceNXUnit` for an NX Unit and `_DeviceOptionBoard` for an Option Board.

The variable used to specify the device is determined by the specified device type.

To specify an NX Unit, use *NxUnit* to specify the device.

In this case, *EcatSlave* and *OptBoard* are not used.

To *NxUnit*, pass the device variable that is assigned to the node location information on the I/O Map for the device to specify.

To specify an Option Board, use *OptBoard* to specify the device.

In this case, *NxUnit* and *EcatSlave* are not used.

To *OptBoard*, pass the device variable that is assigned to the node location information on the I/O Map for the device to specify.

If you use this instruction, be sure to assign a device variable to the node location information. Do not assign device variables to any I/O ports following the node location information that are indicated by *W* under the R/W column.

The figure below is an example of using this instruction for port 1 on an NX-CIF210.

Position	Port	Description	R/W	Data Type	Variable
Unit1	NX-CIF210	Node location information	R	_sNXUNIT_ID	N1_Node_location_information
		...			
		Ch1 Output SID	W	JSINT	
		Ch1 Input SID Response	W	JSINT	
		▶ Ch1 Output Data Type	W	WORD	
		Ch1 Output Sub Info	W	WORD	
		Ch1 Output Data Length	W	UINT	
		▶ Ch1 Output Data 01	W	ARRAY[0..3] OF BYTE	
		▶ Ch1 Output Data 02	W	ARRAY[0..3] OF BYTE	
		▶ Ch1 Output Data 03	W	ARRAY[0..3] OF BYTE	
		▶ Ch1 Output Data 04	W	ARRAY[0..3] OF BYTE	
		▶ Ch1 Output Data 05	W	ARRAY[0..3] OF BYTE	

Refer to the *Sysmac Studio Version 1 Operation Manual (Cat. No. W504)* for details on assigning a device variable to the node location information.

Use *PortNo* to specify the port number.

1: Port 1

2: Port 2

For an NX Unit, set this to Port 1 or Port 2.

For an Option Board, set this to Port 1.

The data type of *DeviceType* is enumerated type `_eDEVICE_TYPE`.

The meanings of the enumerators of enumerated type `_eDEVICE_TYPE` are as follows:

Enumerator	Meaning
<code>_DeviceNXUnit</code>	NX Unit is specified.
<code>_DeviceEcatSlave</code>	EtherCAT slave is specified.
<code>_DeviceOptionBoard</code>	Option Board is specified.

In this instruction, you can specify `_DeviceNXUnit` or `_DeviceOptionBoard`.

Use the *SlaveAdr* input variable to specify the address of a Modbus-RTU slave.

If 0 is set for the *SlaveAdr* input variable, an error occurs and you cannot broadcast commands to Modbus-RTU slaves.

Use the *ReadCmd* input variable to specify the read command.

CRC is attached by the instruction.

The data type of *ReadCmd* input variable is structure `_sSERIAL_MODBUSRTU_READ`. The specifications are as follows:

Name	Meaning	Description	Data type	Valid range	Unit	Default
ReadCmd	Read command	Read command	<code>_sSERIAL_MODBUSRTU_READ</code>	---	---	---
Fun	Function code	Function code	<code>_eMDB_FUN</code>	<code>_MDB_READ_COILS</code> <code>_MDB_READ_DISCRETE_INPUTS</code> <code>_MDB_READ_HOLDING_REGISTERS</code> <code>_MDB_READ_INPUT_REGISTERS</code>	---	<code>_MDB_READ_COILS</code>
ReadAdr	Read address	Read start address	UINT	Depends on data type.	---	0
ReadSize	Read size	Read size	UINT	Depends on function code.	---*1	1

\*1. The unit is the same as the unit of read data specified with *ReadCmd.Fun*.

The data type of *Fun* is enumerated type `_eMDB_FUN`.

The meanings of the enumerators of enumerated type `_eMDB_FUN` are as follows:

Enumerator	Meaning
<code>_MDB_READ_COILS</code>	Read outputs (bit)
<code>_MDB_READ_DISCRETE_INPUTS</code>	Read inputs (bit)
<code>_MDB_READ_HOLDING_REGISTERS</code>	Read holding registers (word)
<code>_MDB_READ_INPUT_REGISTERS</code>	Read input registers (word)

The valid range that you can specify with *ReadSize* varies depending on the function code.

Each value is determined by the size of data that is read and the maximum command length.

The specifications are as follows:

Function code	ReadSize
<code>_MDB_READ_COILS</code>	1 to 2,000 (bit)
<code>_MDB_READ_DISCRETE_INPUTS</code>	1 to 2,000 (bit)
<code>_MDB_READ_HOLDING_REGISTERS</code>	1 to 125 (word)
<code>_MDB_READ_INPUT_REGISTERS</code>	1 to 125 (word)

Use the *ReadDat* in-out variable to specify the variable to store the read data.

The data type that you can use for *ReadDat* differs depending on the function code.

The specifications are as follows:

Function code	Data type
<code>_MDB_READ_COILS</code>	BOOL BOOL[]
<code>_MDB_READ_DISCRETE_INPUTS</code>	BOOL BOOL[]
<code>_MDB_READ_HOLDING_REGISTERS</code>	WORD WORD[]

Function code	Data type
_MDB_READ_INPUT_REGISTERS	WORD WORD[]

The *ReadSize* output variable represents the size of data that was read.

To set options, use the *Option* input variable.

The data type of the *Option* input variable is structure `_sSERIAL_MODBUSRTU_OPTION`. The specifications are as follows:

Name	Meaning	Description	Data type	Valid range	Unit	Default
Option	Option	Option	_sSERIAL_MODBUSRTU_OPTION	---	---	---
SendDelay	Send delay time	Send delay time	UINT	Depends on data type.	0.01 s	0
TimeOut	Timeout time	Timeout time If 0 is set, the timeout time is 2.0 s.	UINT	Depends on data type.	0.1 s	20
NoResponse	No response	Not used in this instruction.	BOOL	Depends on data type.	---	FALSE
Retry	Retry count	Retry count	USINT	0 to 15	---	0



#### Precautions for Correct Use

An error occurs if this instruction is executed for Units other than NX-series Communications Interface Units and Option Boards.

## Interruption of Instruction Execution

If *Abort* is changed to TRUE during instruction execution, the execution is interrupted.

When the instruction execution is interrupted, *CommandAborted* changes to TRUE.

If the instruction execution is completed before an attempt of interruption, *Done* changes to TRUE and the instruction ends normally.

If both *Abort* and *Execute* are changed to TRUE, *CommandAborted* changes to TRUE.

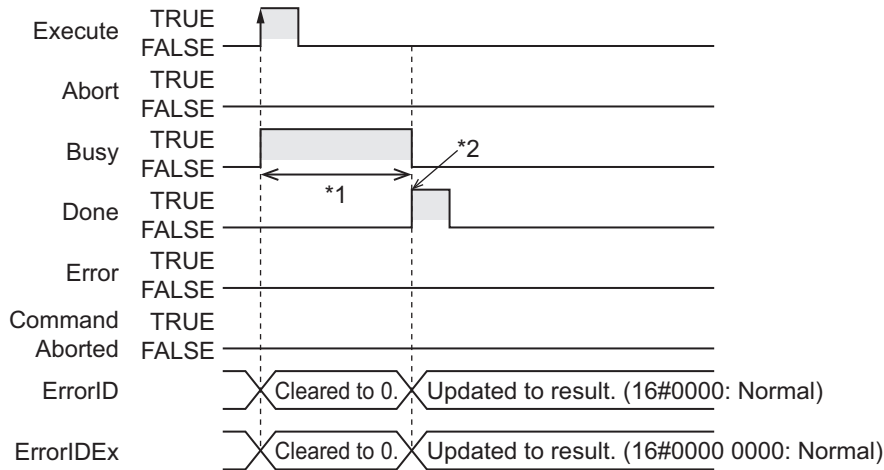
This interruption operation only finishes the *Busy* processing, and it does not clear the send or receive buffer. To clear the buffer, use the instruction, *NX\_SerialBufClear* on page 2-1470.

## Timing Charts

The following figures show the timing charts.

### ● Normal end (when *SendDelay* is 0 (0 s))

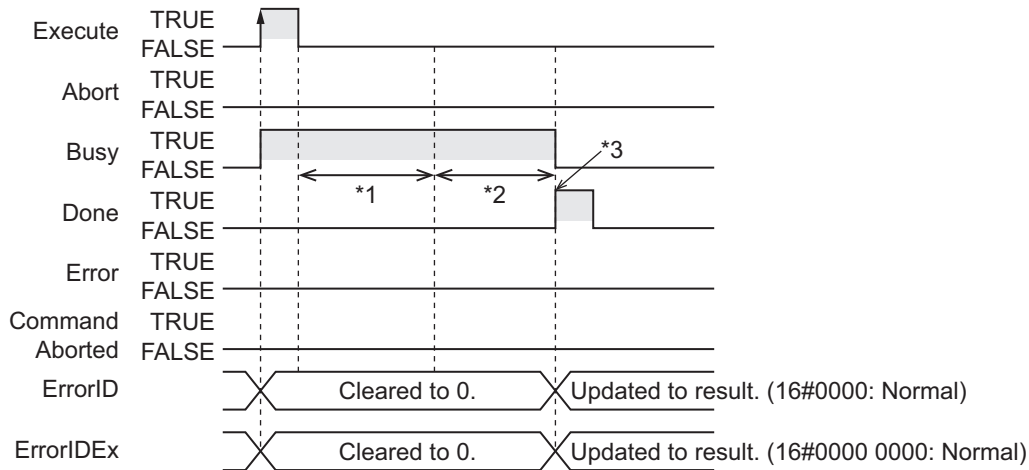
The operation is as follows when *SendDelay* is 0 (0 s).



- \*1. Processing with Modbus-RTU slave
- \*2. A response to the command is received.

● Normal end (when *SendDelay* is 100 (1 s))

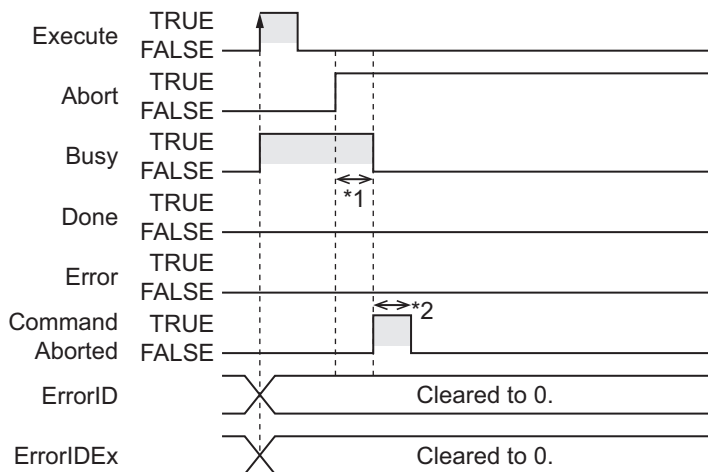
The operation is as follows when *SendDelay* is 100 (1 s).



- \*1. The send delay time of 1 s
- \*2. A read command is sent to Modbus-RTU slave, and a response is received from Modbus-RTU slave.
- \*3. A response to the command is received.

● Interruption executed (when *Busy* is TRUE)

The operation is as follows if *Abort* is changed to TRUE while *Busy* is TRUE.

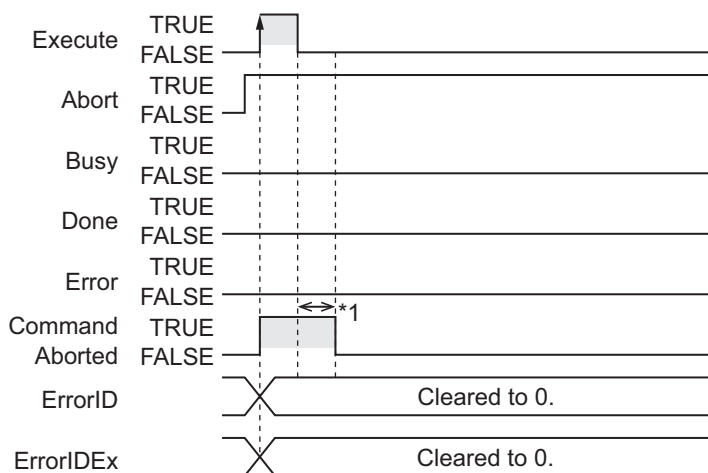


\*1. Interruption processing

\*2. Changes to FALSE after one task period.

### ● Interruption executed (when *Execute* is TRUE)

The operation is as follows if both *Abort* and *Execute* are changed to TRUE.



\*1. Changes to FALSE after one task period.

## Related System-defined Variables

Name	Meaning	Data type	Description
_PLC_OptBoardSta <sup>*1</sup>	Option Board Status	ARRAY[1..2] of _sOPTBOARD_STA	This stores the status of the Option Board.
_NXB_UnitIOActiveTbi <sup>*2</sup>	NX Unit I/O Data Active Status	ARRAY[0..32] OF BOOL <sup>*3</sup>	<ul style="list-style-type: none"> <li>This status tells the NX Units whether I/O data communications can be processed.</li> <li>The subscript of the array corresponds to the NX Unit numbers. A subscript of 0 means the NX bus master.</li> </ul>

\*1. You can use this variable only with NX1P2 CPU Units.

\*2. You can use this variable with NX502 CPU Units, NX102 CPU Units, and NX1P2 CPU Units.

\*3. For the NX1P2 CPU Units, the data type is ARRAY [0..8] OF BOOL.

## Additional Information

Refer to the *MODBUS Application Protocol Specification* for the specifications of the MODBUS communications protocol.

You can obtain *MODBUS Application Protocol Specification* from Modbus Organization, Inc.

<http://www.modbus.org/>

## Precautions for Correct Use

- Execution of this instruction is continued until completed even when *Execute* changes to FALSE or the execution time exceeds the task period.  
The value of *Done* changes to TRUE when the execution is completed. Use this to confirm normal completion of processing. If *Abort* is changed to TRUE during instruction execution, *CommandAborted* or *Done* changes to TRUE.
- A compiling error will occur if you use this instruction in an event task. Do not use this instruction in event tasks.
- A *CIF Unit Initialized* error may occur when the NX-series Communications Interface Unit is restarted. Send or receive the data again, if necessary.
- If you use this instruction, do not assign device variables to any I/O ports that are indicated with *W* in the R/W column on the I/O Map Tab Page in the Sysmac Studio for the applicable NX-series Communications Interface Unit.
- Data may still remain in the buffer of the target device port in the following cases. To clear the buffer, execute the NX\_SerialBufClear instruction before executing the following instructions: NX\_ModbusRtuCmd instruction, NX\_ModbusRtuRead instruction, or NX\_ModbusRtuWrite instruction.
  - a) After the operation starts or when you change the operating mode to RUN mode.
  - b) The retry was set (i.e., *Option.Retry* is not 0) in the previous instruction execution.
  - c) The previous instruction execution is interrupted (i.e., the *CommandAborted* output variable is TRUE).
  - d) An error occurred (i.e., *Error* is TRUE) in the previous instruction execution.
- An error will occur in the following cases. *Error* will change to TRUE.
  - a) A value that is out of range was set for *SlaveAdr*, *ReadCmd.ReadSize*, *ReadCmd.Fun*, *Option.Retry*, *DevicePort.DevicePortType*, or *DevicePort.PortNo*.
  - b) The variable specified for *ReadDat* is smaller than the size specified with *ReadCmd.ReadSize*.
  - c) The Unit or port specified with *DevicePort* does not exist.
  - d) The data type of *DevicePort* or *RespDat* is invalid.
  - e) More than 32 of the following instructions were executed at the same time: NX\_SerialSend, NX\_SerialRcv, NX\_ModbusRtuCmd, NX\_ModbusRtuRead, NX\_ModbusRtuWrite, NX\_SerialSigCtl, NX\_SerialSigRead, NX\_SerialStatusRead, NX\_SerialBufClear, NX\_SerialStartMon, and NX\_SerialStopMon.
  - f) This instruction is executed with a device port variable that is the same as the one specified for another instruction that is still being executed.  
In this case, the instruction which is still being executed is one of the followings: the NX\_SerialSend instruction, NX\_SerialRcv instruction, NX\_ModbusRtuCmd instruction, NX\_ModbusRtuRead instruction, and NX\_ModbusRtuWrite instruction.
  - g) A parity error occurred in the data received.
  - h) A framing error occurred in the data received.
  - i) An overrun error occurred in the data received.

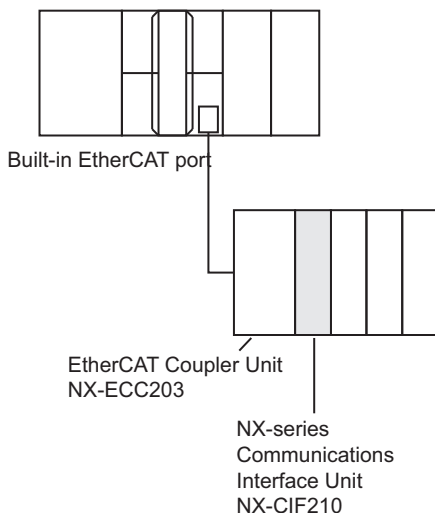
- j) CRC mismatch occurred for the received data.
  - k) Timeout time elapsed. (When the retry is set, timeout time is multiplied by the number of retries.)
  - l) This instruction is executed for Units other than NX-series Communications Interface Units and Option Boards.
  - m) An Exception Response was received from a Modbus-RTU slave. You can check Exception Codes with the *ErrorIDEx* output variable.
  - n) There was an invalid function code, receive size, etc. in the response data from a Modbus-RTU slave.
  - o) The serial communications mode of the specified Option Board is not *Modbus-RTU master*.
- In this instruction, the expansion error code *ErrorIDEx* is displayed when an error is detected in a Modbus-RTU slave. An expansion error code is output to *ErrorIDEx* when the value of error code *ErrorID* is *WORD#16#0C10*. The display format is *ErrorIDEx=000000XX*. For the value *XX*, refer to the Exception Code specifications of the MODBUS communications protocol. Refer to the *MODBUS Application Protocol Specification* for the Exception Code specifications of the MODBUS communications protocol. You can obtain *MODBUS Application Protocol Specification* from Modbus Organization, Inc. <http://www.modbus.org/>

## Sample Programming

In this sample, an NX-series Communications Interface Unit (NX-CIF210) is connected to an EtherCAT Coupler Unit (NX-ECC203).

The unit number of the NX-CIF210 is set to 1.

For the Unit operation settings of the NX-CIF210, set **Ch2 Number of Characters to Determine the End** to 35. The number of characters is regarded as 3.5 during operation because the unit for setting the Number of Characters to Determine the End is 0.1 character.



When *Trigger* changes to TRUE, the instruction clears the buffer of the serial port 2 on the NX-CIF210 and then sends a Modbus-RTU command.

It reads the status of an output from the read start address 19 in slave address 1.

A read command is sent to read a variable.



## ST

Internal Variables	Variable	Data type	Initial value	Comment
	Stage	INT	0	
	Trigger	BOOL	FALSE	Execution condition
	DevicePort	_sDEVICE_PORT		Port settings
	NX_SerialBufClear_instance	NX_SerialBufClear		Clear buffer
	ClearDone	BOOL		
	ClearError	BOOL		
	NX_ModbusRtuRead_instance	NX_ModbusRtuRead		
	ModbusSlaveAdr	UINT	UINT#0	Slave address
	ModbusDone	BOOL		
	ModbusCommandAborted	BOOL		
	ModbusError	BOOL		
	ModbusReadSize	UINT		Actually received data size (byte)
	DoModbusTrigger	BOOL		
	ModbusReadDat	BOOL		
	ModbusReadCmd	_sSERIAL_MODBUSRTU_READ		

External Variables	Variable	Data type	Constant	Comment
	N1_Node_location_information	_sNXUNIT_ID	☑	

```
// Start sequence when Trigger changes to TRUE.
IF (Trigger=TRUE) AND (DoModbusTrigger=FALSE) THEN
  DoModbusTrigger := TRUE;

  NX_SerialBufClear_instance(Execute := FALSE,
    DevicePort:=DevicePort);
  NX_ModbusRtuRead_instance(Execute:= FALSE,
    DevicePort:=DevicePort,
    ReadDat:=ModbusReadDat);
  Stage := 1; // Initialization completed.
END_IF;

IF (DoModbusTrigger=TRUE) THEN
  CASE Stage OF
  1: // Buffer clear request
    DevicePort.DeviceType:=_eDEVICE_TYPE#_DeviceNXUnit;
    DevicePort.NxUnit:=N1_Node_location_information;
```

```

DevicePort.PortNo:=2;

NX_SerialBufClear_instance(Execute := TRUE,
    DevicePort:=DevicePort,
    Done => ClearDone,
    Error => ClearError);

IF (ClearDone = TRUE) THEN
    Stage := 2; // Buffer clear is normal end.
ELSIF (ClearError = TRUE) THEN
    Stage := 99; // Buffer clear is error end.
END_IF;

2: // Modbus read request
ModbusSlaveAdr := 1; // Slave address
ModbusReadCmd.Fun:=_MDB_READ_COILS; // Function code
ModbusReadCmd.ReadAdr:=19; // Read address
ModbusReadCmd.ReadSize:=1; // Read size

NX_ModbusRtuRead_instance(Execute:= TRUE,
    DevicePort:=DevicePort,
    SlaveAdr:=ModbusSlaveAdr,
    ReadCmd:=ModbusReadCmd,
    ReadDat:=ModbusReadDat,
    Done=>ModbusDone,
    CommandAborted=>ModbusCommandAborted,
    Error=>ModbusError,
    ReadSize=>ModbusReadSize);

IF (ModbusDone = TRUE) THEN
    Stage := 3; // The NX_ModbusRead instruction is normal end.
ELSIF (ModbusError=TRUE) OR (ModbusCommandAborted=TRUE) THEN
    Stage :=99; // The NX_ModbusRead instruction is error end or Abort.
END_IF;

3: // Processing after the NX_ModbusRead instruction is normal end.
Trigger := FALSE;
DoModbusTrigger := FALSE;

99: // Error Processing
Trigger := FALSE;
DoModbusTrigger := FALSE;
END_CASE;
END_IF;

```

# NX\_ModbusRtuWrite

The NX\_ModbusRtuWrite instruction sends write commands from a serial port on an NX-series Communications Interface Unit or Option Board to Modbus-RTU slaves using Modbus-RTU protocol.

Instruction	Name	FB/ FUN	Graphic expression	ST expression
NX_ModbusRtuWrite	Send Modbus RTU Write Command	FB		NX_ModbusRtuWrite_instance( Execute, DevicePort, SlaveAdr, WriteCmd, WriteDat, Option, Abort, Done, Busy, CommandAborted, Error, ErrorID, ErrorIDEx);



## Version Information

A CPU Unit with unit version 1.11 or later and Sysmac Studio version 1.15 or higher are required to use this instruction.

## Variables

	Meaning	I/O	Description	Valid range	Unit	Default
DevicePort	Device port	Input	Object that represents a device port	---	---	---
SlaveAdr	Slave address		Address of Modbus-RTU slave <sup>*1</sup>	0 to 247	---	1
WriteCmd	Write command		Write command	---	---	*2
WriteDat[] (array)	Write data		Write data	Depends on data type.	---	*2
Option	Option		Option	---	---	---
Abort	Interruption	Output	Interruption of instruction execution	Depends on data type.	---	FALSE
CommandAborted	Interruption completion		Interruption completion	Depends on data type.	---	---

\*1. If 0 is set, you can broadcast commands to Modbus-RTU slaves.

\*2. If you omit an input parameter, the default value is not applied. A building error will occur.

	Boo lean	Bit strings				Integers							Real num bers		Times, durations, dates, and text strings						
	BOOL	BYTE	WORD	DWORD	LWORD	USINT	UINT	UDINT	ULINT	SINT	INT	DINT	LINT	REAL	LREAL	TIME	DATE	TOD	DT	STRING	
DevicePort																					
SlaveAdr							OK														
WriteCmd																					

	Boo lean	Bit strings					Integers							Real num- bers		Times, durations, dates, and text strings				
	BOOL	BYTE	WORD	DWORD	LWORD	USINT	UINT	UDINT	ULINT	SINT	INT	DINT	LINT	REAL	LREAL	TIME	DATE	TOD	DT	STRING
WriteDat[] (array)	OK		OK																	
	An array can also be specified.																			
Option	Refer to <i>Function</i> on page 2-1442 for details on the structure <code>_sSERIAL_MODBUSRTU_OPTION</code> .																			
Abort	OK																			
CommandA- borted	OK																			

## Function

The `NX_ModbusRtuWrite` instruction sends write commands from a serial port on an NX-series Communications Interface Unit or Option Board to Modbus-RTU slaves using Modbus-RTU protocol. This instruction ends normally when a normal response to the sent command is received. When a command is broadcasted, this instruction ends normally without waiting for responses from slaves.

The data type of the *DevicePort* input variable is structure `_sDEVICE_PORT`. The specifications are as follows:

Name	Meaning	Description	Data type	Valid range	Unit	De- fault
DevicePort	Device port	Object that represents a device port	<code>_sDEVICE_PORT</code>	---	---	---
DeviceType	Device type	Type of the device to specify	<code>_eDEVICE_TYPE</code>	<code>_DeviceNXUnit</code> <code>_DeviceEcat-Slave</code> <code>_DeviceOption-Board</code>	---	---
NxUnit	Specified Unit	NX Unit to control	<code>_sNXUNIT_ID</code>	---	---	---
EcatSlave	Specified slave	EtherCAT slave to control	<code>_sECAT_ID</code>	---	---	---
OptBoard	Specified Option Board	Option Board to control	<code>_sOPTBOARD_ID</code>	---	---	---
Reserved	Reserved	Reserved	Reserved	---	---	---
PortNo	Port number	Port number 1: Port 1 2: Port 2	USINT	Depends on data type.	---	---

Use *DeviceType* to specify the device type.

Set this to `_DeviceNXUnit` for an NX Unit and `_DeviceOptionBoard` for an Option Board. The variable used to specify the device is determined by the specified device type.

To specify an NX Unit, use *NxUnit* to specify the device.

In this case, *EcatSlave* and *OptBoard* are not used.

To *NxUnit*, pass the device variable that is assigned to the node location information on the I/O Map for the device to specify.

To specify an Option Board, use *OptBoard* to specify the device.

In this case, *NxUnit* and *EcatSlave* are not used.

To *OptBoard*, pass the device variable that is assigned to the node location information on the I/O Map for the device to specify.

If you use this instruction, be sure to assign a device variable to the node location information. Do not assign device variables to any I/O ports following the node location information that are indicated by *W* under the R/W column.

The figure below is an example of using this instruction for port 1 on an NX-CIF210.

Assign a variable.

Position	Port	Description	R/W	Data Type	Variable
Unit1	▼ NX-CIF210				
	Node location information	Node location information	R	_sNXUNIT_ID	N1_Node_location_information
	⋮				
	Ch1 Output SID	Ch1 Output SID	W	JSINT	
	Ch1 Input SID Response	Ch1 Input SID Response	W	JSINT	
	▶ Ch1 Output Data Type	Ch1 Output Data Type	W	WORD	
	Ch1 Output Sub Info	Ch1 Output Sub Info	W	WORD	
	Ch1 Output Data Length	Ch1 Output Data Length	W	UINT	
	▶ Ch1 Output Data 01	Ch1 Output Data 01	W	ARRAY[0..3] OF BYTE	
	▶ Ch1 Output Data 02	Ch1 Output Data 02	W	ARRAY[0..3] OF BYTE	
	▶ Ch1 Output Data 03	Ch1 Output Data 03	W	ARRAY[0..3] OF BYTE	
	▶ Ch1 Output Data 04	Ch1 Output Data 04	W	ARRAY[0..3] OF BYTE	
	▶ Ch1 Output Data 05	Ch1 Output Data 05	W	ARRAY[0..3] OF BYTE	

Do not assign variables.

Refer to the *SyMac Studio Version 1 Operation Manual (Cat. No. W504)* for details on assigning a device variable to the node location information.

Use *PortNo* to specify the port number.

1: Port 1

2: Port 2

For an NX Unit, set this to Port 1 or Port 2.

For an Option Board, set this to Port 1.

The data type of *DeviceType* is enumerated type `_eDEVICE_TYPE`.

The meanings of the enumerators of enumerated type `_eDEVICE_TYPE` are as follows:

Enumerator	Meaning
<code>_DeviceNXUnit</code>	NX Unit is specified.
<code>_DeviceEcatSlave</code>	EtherCAT slave is specified.
<code>_DeviceOptionBoard</code>	Option Board is specified.

In this instruction, you can specify `_DeviceNXUnit` or `_DeviceOptionBoard`.

Use the *SlaveAdr* input variable to specify the address of a Modbus-RTU slave.

To broadcast commands to Modbus-RTU slaves, set the *SlaveAdr* input variable to 0.

Use the *WriteCmd* input variable to specify the write command.

CRC is attached by the instruction.

The data type of *WriteCmd* input variable is structure `_sSERIAL_MODBUSRTU_WRITE`. The specifications are as follows:

Name	Meaning	Description	Data type	Valid range	Unit	Default
WriteCmd	Write command	Write command	_sSERIAL_MODBUSRTU_WRITE	---	---	---
Fun	Function code	Function code	_eMDB_FUN	_MDB_WRITE_SINGLE_COIL _MDB_WRITE_SINGLE_REGISTER _MDB_WRITE_MULTIPLE_COILS _MDB_WRITE_MULTIPLE_REGISTERS	---	_eMDB_WRITE_SINGLE_COIL
WriteAdr	Write address	Write start address	UINT	Depends on data type.	---	0
WriteSize	Write size	Write size	UINT	Depends on function code.	---	_MDB_WRITE_SINGLE_COIL

The data type of *Fun* is enumerated type `_eMDB_FUN`.

The meanings of the enumerators of enumerated type `_eMDB_FUN` are as follows:

Enumerator	Meaning
<code>_MDB_WRITE_SINGLE_COIL</code>	Write an output (bit)
<code>_MDB_WRITE_SINGLE_REGISTER</code>	Write a holding register (word)
<code>_MDB_WRITE_MULTIPLE_COILS</code>	Write multiple outputs (bit)
<code>_MDB_WRITE_MULTIPLE_REGISTERS</code>	Write multiple holding registers (word)

The valid range that you can specify with *WriteSize* varies depending on the function code.

Each value is determined by the size of data that is written and the maximum command length.

The specifications are as follows:

Function code	WriteSize
<code>_MDB_WRITE_SINGLE_COIL</code>	1 (bit)
<code>_MDB_WRITE_SINGLE_REGISTER</code>	1 (word)
<code>_MDB_WRITE_MULTIPLE_COILS</code>	1 to 1,968 (bit)
<code>_MDB_WRITE_MULTIPLE_REGISTERS</code>	1 to 123 (word)

Use the *WriteDat* input variable to specify the data to write.

The data type that you can use for *WriteDat* differs depending on the function code.

The specifications are as follows:

Function code	Data type
<code>_MDB_WRITE_SINGLE_COIL</code>	BOOL BOOL[]
<code>_MDB_WRITE_SINGLE_REGISTER</code>	WORD WORD[]
<code>_MDB_WRITE_MULTIPLE_COILS</code>	BOOL BOOL[]
<code>_MDB_WRITE_MULTIPLE_REGISTERS</code>	WORD WORD[]

To set options, use the *Option* input variable.

The data type of the *Option* input variable is structure `_sSERIAL_MODBUSRTU_OPTION`. The specifications are as follows:

Name	Meaning	Description	Data type	Valid range	Unit	Default
Option	Option	Option	<code>_sSERIAL_MODBUSRTU_OPTION</code>	---	---	---
SendDelay	Send delay time	Send delay time	UINT	Depends on data type.	0.01 s	0
TimeOut	Timeout time	Timeout time If 0 is set, the timeout time is 2.0 s.	UINT	Depends on data type.	0.1 s	20
NoResponse	No response	Not used in this instruction.	BOOL	Depends on data type.	---	FALSE
Retry	Retry count	Retry count	USINT	0 to 15	---	0



#### Precautions for Correct Use

An error occurs if this instruction is executed for Units other than NX-series Communications Interface Units and Option Boards.

## Interruption of Instruction Execution

If *Abort* is changed to TRUE during instruction execution, the execution is interrupted.

When the instruction execution is interrupted, *CommandAborted* changes to TRUE.

If the instruction execution is completed before an attempt of interruption, *Done* changes to TRUE and the instruction ends normally.

If both *Abort* and *Execute* are changed to TRUE, *CommandAborted* changes to TRUE.

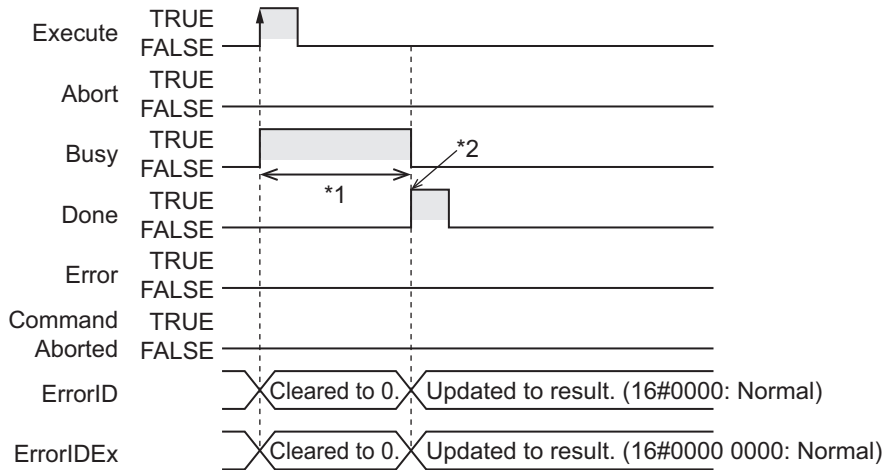
This interruption operation only finishes the *Busy* processing, and it does not clear the send or receive buffer. To clear the buffer, use the instruction, *NX\_SerialBufClear* on page 2-1470.

## Timing Charts

The following figures show the timing charts.

### ● Normal end (when *SendDelay* is 0 (0 s))

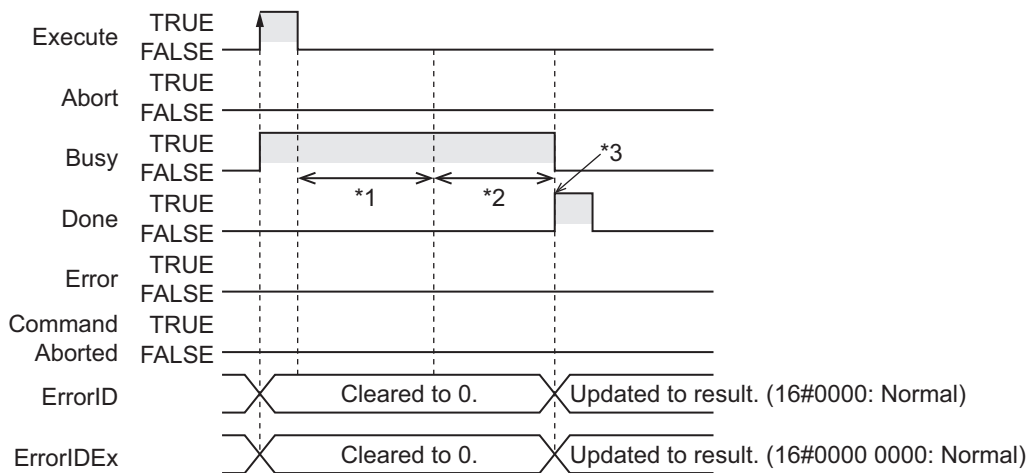
The operation is as follows when *SendDelay* is 0 (0 s).



- \*1. Processing with Modbus-RTU slave
- \*2. A response to the command is received.

● **Normal end (when *SendDelay* is 100 (1 s))**

The operation is as follows when *SendDelay* is 100 (1 s).

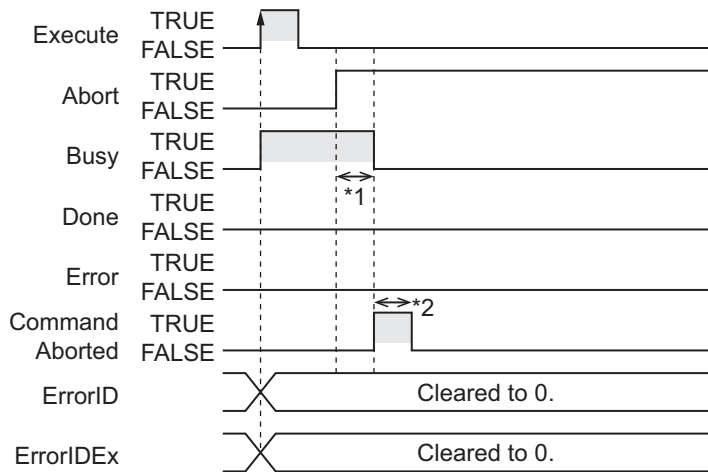


- \*1. The send delay time of 1 s
- \*2. A write command is sent to Modbus-RTU slave, and a response is received from Modbus-RTU slave.
- \*3. A response to the command is received.

● **Interruption executed (when *Busy* is TRUE)**

The operation is as follows if *Abort* is changed to TRUE while *Busy* is TRUE.

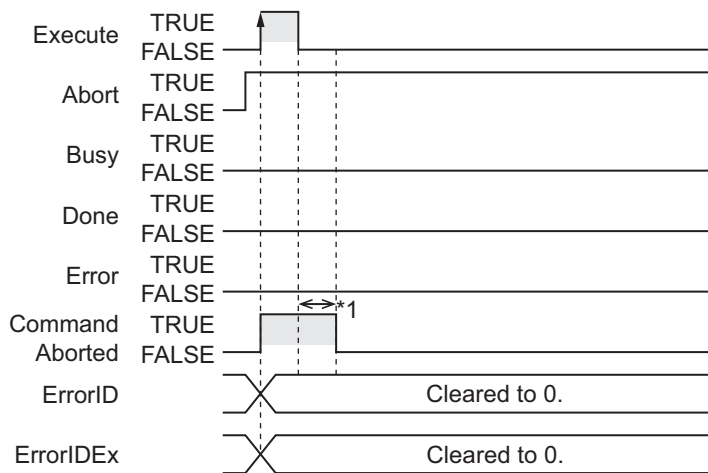




- \*1. Interruption processing
- \*2. Changes to FALSE after one task period.

● **Interruption executed (when *Execute* is TRUE)**

The operation is as follows if both *Abort* and *Execute* are changed to TRUE.



- \*1. Changes to FALSE after one task period.

**Related System-defined Variables**

Name	Meaning	Data type	Description
_PLC_OptBoard- Sta <sup>*1</sup>	Option Board Sta- tus	ARRAY[1..2] of _sOPTBOARD_STA	This stores the status of the Option Board.
_NXB_UnitIOAc- tiveTbl <sup>*2</sup>	NX Unit I/O Data Active Status	ARRAY[0..32] OF BOOL <sup>*3</sup>	<ul style="list-style-type: none"> <li>• This status tells the NX Units whether I/O data com- munications can be processed.</li> <li>• The subscript of the array corresponds to the NX Unit numbers. A subscript of 0 means the NX bus master.</li> </ul>

- \*1. You can use this variable only with NX1P2 CPU Units.
- \*2. You can use this variable with NX502 CPU Units, NX102 CPU Units, and NX1P2 CPU Units.
- \*3. For the NX1P2 CPU Units, the data type is ARRAY [0..8] OF BOOL.

## Additional Information

Refer to the *MODBUS Application Protocol Specification* for the specifications of the MODBUS communications protocol.

You can obtain *MODBUS Application Protocol Specification* from Modbus Organization, Inc.

<http://www.modbus.org/>

## Precautions for Correct Use

- Execution of this instruction is continued until completed even when *Execute* changes to FALSE or the execution time exceeds the task period.  
The value of *Done* changes to TRUE when the execution is completed. Use this to confirm normal completion of processing. If *Abort* is changed to TRUE during instruction execution, *CommandAborted* or *Done* changes to TRUE.
- A compiling error will occur if you use this instruction in an event task. Do not use this instruction in event tasks.
- A *CIF Unit Initialized* error may occur when the NX-series Communications Interface Unit is restarted. Send or receive the data again, if necessary.
- If you use this instruction, do not assign device variables to any I/O ports that are indicated with *W* in the R/W column on the I/O Map Tab Page in the Sysmac Studio for the applicable NX-series Communications Interface Unit.
- Data may still remain in the buffer of the target device port in the following cases. To clear the buffer, execute the *NX\_SerialBufClear* instruction before executing the following instructions: *NX\_ModbusRtuCmd* instruction, *NX\_ModbusRtuRead* instruction, or *NX\_ModbusRtuWrite* instruction.
  - a) After the operation starts or when you change the operating mode to RUN mode.
  - b) The retry was set (i.e., *Option.Retry* is not 0) in the previous instruction execution.
  - c) The previous instruction execution is interrupted (i.e., the *CommandAborted* output variable is TRUE).
  - d) An error occurred (i.e., *Error* is TRUE) in the previous instruction execution.
- An error will occur in the following cases. *Error* will change to TRUE.
  - a) A value that is out of range was set for *SlaveAdr*, *WriteCmd.Fun*, *WriteCmd.WriteSize*, *Option.Retry*, *DevicePort.DevicePortType*, or *DevicePort.PortNo*.
  - b) The variable specified for *WriteDat* is smaller than the size specified with *WriteCmd.WriteSize*.
  - c) The Unit or port specified with *DevicePort* does not exist.
  - d) The data type of *DevicePort* or *WriteDat* is invalid.
  - e) More than 32 of the following instructions were executed at the same time: *NX\_SerialSend*, *NX\_SerialRcv*, *NX\_ModbusRtuCmd*, *NX\_ModbusRtuRead*, *NX\_ModbusRtuWrite*, *NX\_SerialSigCtl*, *NX\_SerialSigRead*, *NX\_SerialStatusRead*, *NX\_SerialBufClear*, *NX\_SerialStartMon*, and *NX\_SerialStopMon*.
  - f) This instruction is executed with a device port variable that is the same as the one specified for another instruction that is still being executed.  
In this case, the instruction which is still being executed is one of the followings: the *NX\_SerialSend* instruction, *NX\_SerialRcv* instruction, *NX\_ModbusRtuCmd* instruction, *NX\_ModbusRtuRead* instruction, and *NX\_ModbusRtuWrite* instruction.
  - g) A parity error occurred in the data received.
  - h) A framing error occurred in the data received.
  - i) An overrun error occurred in the data received.

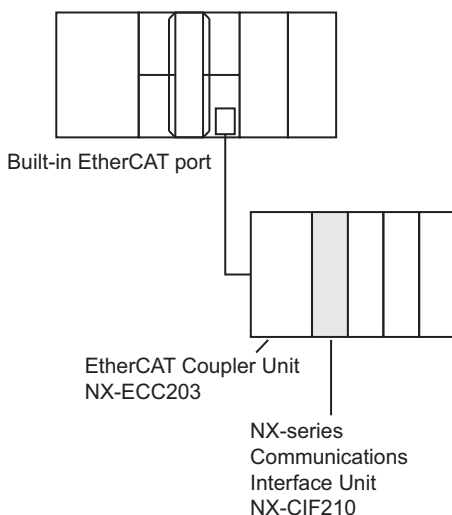
- j) CRC mismatch occurred for the received data.
  - k) Timeout time elapsed.
  - l) This instruction is executed for Units other than NX-series Communications Interface Units and Option Boards.
  - m) An Exception Response was received from a Modbus-RTU slave. You can check Exception Codes with the *ErrorIDEx* output variable.
  - n) There was an invalid function code, receive size, etc. in the response data from a Modbus-RTU slave.
  - o) The serial communications mode of the specified Option Board is not *Modbus-RTU master*.
- In this instruction, the expansion error code *ErrorIDEx* is displayed when an error is detected in a Modbus-RTU slave. An expansion error code is output to *ErrorIDEx* when the value of error code *ErrorID* is *WORD#16#0C10*. The display format is *ErrorIDEx=00000XX*. For the value *XX*, refer to the Exception Code specifications of the MODBUS communications protocol. Refer to the *MODBUS Application Protocol Specification* for the Exception Code specifications of the MODBUS communications protocol. You can obtain *MODBUS Application Protocol Specification* from Modbus Organization, Inc. <http://www.modbus.org/>

## Sample Programming

In this sample, an NX-series Communications Interface Unit (NX-CIF210) is connected to an EtherCAT Coupler Unit (NX-ECC203).

The unit number of the NX-CIF210 is set to 1.

For the Unit operation settings of the NX-CIF210, set **Ch2 Number of Characters to Determine the End** to 35. The number of characters is regarded as 3.5 during operation because the unit for setting the Number of Characters to Determine the End is 0.1 character.



When *Trigger* changes to TRUE, the instruction clears the buffer of the serial port 2 on the NX-CIF210 and then sends a Modbus-RTU command.

It changes an output from the write start address 149 in slave address 1.

Write commands are sent/received to write a variable.

## ST

Internal Variables	Variable	Data type	Initial value	Comment
	Stage	INT	0	
	Trigger	BOOL	FALSE	Execution condition
	DevicePort	_sDEVICE_PORT		Port settings
	NX_SerialBufClear_instance	NX_SerialBufClear		Clear buffer
	ClearDone	BOOL		
	ClearError	BOOL		
	NX_ModbusRtuWrite_instance	NX_ModbusRtuWrite		
	ModbusSlaveAdr	UINT	UINT#0	Slave address
	ModbusDone	BOOL		
	ModbusCommandAborted	BOOL		
	ModbusError	BOOL		
	DoModbusTrigger	BOOL		
	ModbusWriteDat	ARRAY[0..5] OF BOOL	[6(FALSE)]	
	ModbusWriteCmd	_sSERIAL_MODBUSRTU_WRITE		

External Variables	Variable	Data type	Constant	Comment
	N1_Node_location_information	_sNXUNIT_ID	☑	

```
// Start sequence when Trigger changes to TRUE.
IF (Trigger=TRUE) AND (DoModbusTrigger=FALSE) THEN
  DoModbusTrigger := TRUE;

  NX_SerialBufClear_instance(Execute := FALSE,
    DevicePort:=DevicePort);
  NX_ModbusRtuWrite_instance(Execute:= FALSE,
    DevicePort:=DevicePort,
    WriteDat:=ModbusWriteDat);
  Stage := 1; // Initialization completed.
END_IF;

IF (DoModbusTrigger=TRUE) THEN
  CASE Stage OF
  1: // Buffer clear request
    DevicePort.DeviceType:=_eDEVICE_TYPE#_DeviceNXUnit;
    DevicePort.NxUnit:=N1_Node_location_information;
    DevicePort.PortNo:=2;
```

```

NX_SerialBufClear_instance(Execute := TRUE,
    DevicePort:=DevicePort,
    Done => ClearDone,
    Error => ClearError);

IF (ClearDone = TRUE) THEN
    Stage := 2; // Buffer clear is normal end.
ELSIF (ClearError = TRUE) THEN
    Stage := 99; // Buffer clear is error end.
END_IF;

2: // Modbus write request
ModbusSlaveAdr := 1; // Slave address
ModbusWriteCmd.Fun:=_MDB_WRITE_SINGLE_COIL; // Function code
ModbusWriteCmd.WriteAdr:=149; // Write address
ModbusWriteCmd.WriteSize:=1; // Write size

NX_ModbusRtuWrite_instance(Execute:= TRUE,
    DevicePort:=DevicePort,
    SlaveAdr:=ModbusSlaveAdr,
    WriteCmd:=ModbusWriteCmd,
    WriteDat:=ModbusWriteDat,
    Done=>ModbusDone,
    CommandAborted=>ModbusCommandAborted,
    Error=>ModbusError);

IF (ModbusDone = TRUE) THEN
    Stage := 3; // The NX_ModbusRtuWrite instruction is normal end.
ELSIF (ModbusError=TRUE) OR (ModbusCommandAborted=TRUE) THEN
    Stage :=99; // The NX_ModbusRtuWrite instruction is error end or Abort.
END_IF;

3: // Processing after the NX_ModbusRtuWrite instruction is normal end.
Trigger := FALSE;
DoModbusTrigger := FALSE;

99: // Error Processing
Trigger := FALSE;
DoModbusTrigger := FALSE;
END_CASE;
END_IF;

```

# NX\_SerialSigCtl

The NX\_SerialSigCtl instruction turns ON or OFF the ER or RS signal of a serial port on an NX-series Communications Interface Unit or Option Board.

Instruction	Name	FB/ FUN	Graphic expression	ST expression
NX_Serial- SigCtl	Serial Control Signal ON/OFF Switching	FB		NX_SerialSigCtl_instance(Execute, DevicePort, Kind, Sig, TimeOut, Done, Busy, Error, ErrorID);



## Version Information

A CPU Unit with unit version 1.11 or later and Sysmac Studio version 1.15 or higher are required to use this instruction.

## Variables

	Meaning	I/O	Description	Valid range	Unit	Default
DevicePort	Device port	Input	Object that represents a device port	---	---	---
Kind	Signal command		Signal command	_RS_SIG _ER_SIG*1	---	*2
Sig	ON/OFF command		ON/OFF command	Depends on data type.	---	*2
TimeOut	Timeout time		Timeout time If 0 is set, the timeout time is 2.0 s.	Depends on data type.	0.1 s	0

\*1. You cannot use \_CS\_SIG or \_DR\_SIG. If either of them is specified, an error will occur when the instruction is executed.

\*2. If you omit an input parameter, the default value is not applied. A building error will occur.

	Boo lean	Bit strings				Integers								Real num- bers		Times, durations, dates, and text strings					
	BOOL	BYTE	WORD	DWORD	LWORD	USINT	UINT	UDINT	ULINT	SINT	INT	DINT	LINT	REAL	LREAL	TIME	DATE	TOD	DT	STRING	
DevicePort																					
Kind																					
Sig	OK																				
TimeOut							OK														

## Function

The `NX_SerialSigCtl` instruction turns ON or OFF the ER or RS signal of a serial port on an NX-series Communications Interface Unit or Option Board.

The data type of the *DevicePort* input variable is structure `_sDEVICE_PORT`. The specifications are as follows:

Name	Meaning	Description	Data type	Valid range	Unit	De- fault
DevicePort	Device port	Object that represents a device port	<code>_sDEVICE_PORT</code>	---	---	---
DeviceType	Device type	Type of the device to specify	<code>_eDEVICE_TYPE</code>	<code>_DeviceNXUnit</code> <code>_DeviceEcat-Slave</code> <code>_DeviceOption-Board</code>	---	---
NxUnit	Specified Unit	NX Unit to control	<code>_sNXUNIT_ID</code>	---	---	---
EcatSlave	Specified slave	EtherCAT slave to control	<code>_sECAT_ID</code>	---	---	---
OptBoard	Specified Option Board	Option Board to control	<code>_sOPTBOARD_ID</code>	---	---	---
Reserved	Reserved	Reserved	Reserved	---	---	---
PortNo	Port number	Port number 1: Port 1 2: Port 2	USINT	Depends on data type.	---	---

Use *DeviceType* to specify the device type.

Set this to `_DeviceNXUnit` for an NX Unit and `_DeviceOptionBoard` for an Option Board.

The variable used to specify the device is determined by the specified device type.

To specify an NX Unit, use *NxUnit* to specify the device.

In this case, *EcatSlave* and *OptBoard* are not used.

To *NxUnit*, pass the device variable that is assigned to the node location information on the I/O Map for the device to specify.

To specify an Option Board, use *OptBoard* to specify the device.

In this case, *NxUnit* and *EcatSlave* are not used.

To *OptBoard*, pass the device variable that is assigned to the node location information on the I/O Map for the device to specify.

If you use this instruction, be sure to assign a device variable to the node location information. Do not assign device variables to any I/O ports following the node location information that are indicated by *W* under the R/W column.

The figure below is an example of using this instruction for port 1 on an NX-CIF210.

Position	Port	Description	R/W	Data Type	Variable
Unit1	NX-CIF210	Node location information	R	_sNXUNIT_ID	N1_Node_location_information
		Ch1 Output SID	W	USINT	
		Ch1 Input SID Response	W	USINT	
		▶ Ch1 Output Data Type	W	WORD	
		Ch1 Output Sub Info	W	WORD	
		Ch1 Output Data Length	W	UINT	
		▶ Ch1 Output Data 01	W	ARRAY[0..3] OF BYTE	
		▶ Ch1 Output Data 02	W	ARRAY[0..3] OF BYTE	
		▶ Ch1 Output Data 03	W	ARRAY[0..3] OF BYTE	
		▶ Ch1 Output Data 04	W	ARRAY[0..3] OF BYTE	
		▶ Ch1 Output Data 05	W	ARRAY[0..3] OF BYTE	

Refer to the *Sysmac Studio Version 1 Operation Manual (Cat. No. W504)* for details on assigning a device variable to the node location information.

Use *PortNo* to specify the port number.

1: Port 1

2: Port 2

For an NX Unit, set this to Port 1 or Port 2.

For an Option Board, set this to Port 1.

The data type of *DeviceType* is enumerated type `_eDEVICE_TYPE`.

The meanings of the enumerators of enumerated type `_eDEVICE_TYPE` are as follows:

Enumerator	Meaning
<code>_DeviceNXUnit</code>	NX Unit is specified.
<code>_DeviceEcatSlave</code>	EtherCAT slave is specified.
<code>_DeviceOptionBoard</code>	Option Board is specified.

In this instruction, you can specify `_DeviceNXUnit` or `_DeviceOptionBoard`.

Use the *Kind* input variable to select the ER or RS signal.

When the *Sig* input variable is TRUE, the ER or RS signal turns ON.

When the *Sig* input variable is FALSE, the ER or RS signal turns OFF.

The data type of *Kind* is enumerated type `_eSERIAL_SIG`.

The meanings of the enumerators of enumerated type `_eSERIAL_SIG` are as follows:

Enumerator	Meaning
<code>_RS_SIG</code>	RS signal
<code>_ER_SIG</code>	ER signal
<code>_CS_SIG</code>	CS signal
<code>_DR_SIG</code>	DR signal



### Precautions for Correct Use

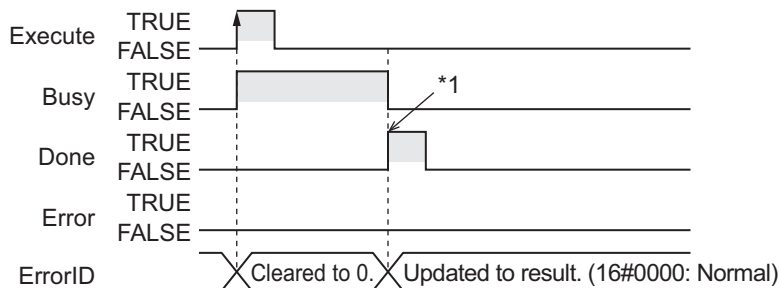
An error occurs if this instruction is executed for Units other than NX-series Communications Interface Units and Option Boards.



## Timing Charts

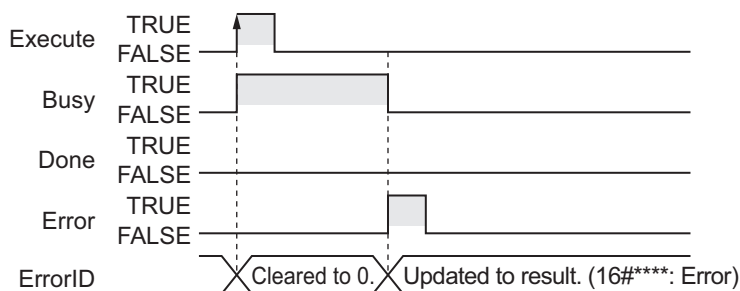
The following figures show the timing charts.

### ● Normal end



\*1. Signal ON/OFF control is completed.

### ● Error end



## Related System-defined Variables

Name	Meaning	Data type	Description
_PLC_OptBoard- Sta <sup>*1</sup>	Option Board Sta- tus	ARRAY[1..2] of _sOPTBOARD_STA	This stores the status of the Option Board.
_NXB_UnitIOAc- tiveTbl <sup>*2</sup>	NX Unit I/O Data Active Status	ARRAY[0..32] OF BOOL <sup>*3</sup>	<ul style="list-style-type: none"> <li>This status tells the NX Units whether I/O data communications can be processed.</li> <li>The subscript of the array corresponds to the NX Unit numbers. A subscript of 0 means the NX bus master.</li> </ul>

\*1. You can use this variable only with NX1P2 CPU Units.

\*2. You can use this variable with NX502 CPU Units, NX102 CPU Units, and NX1P2 CPU Units.

\*3. For the NX1P2 CPU Units, the data type is *ARRAY [0..8] OF BOOL*.

## Precautions for Correct Use

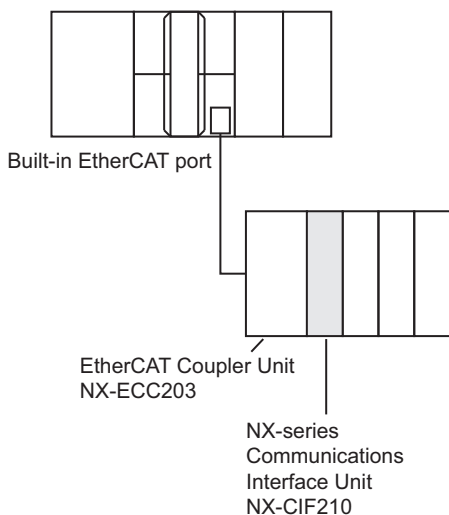
- Execution of this instruction is continued until completed even when the value of *Execute* changes to FALSE or the execution time exceeds the task period. The value of *Done* changes to TRUE when the execution is completed. Use this to confirm normal completion of processing.
- A compiling error will occur if you use this instruction in an event task. Do not use this instruction in event tasks.

- This instruction does not check the communications protocol and wiring conditions. Before use, check the wiring conditions and communication protocol.
- A *CIF Unit Initialized* error may occur when the NX-series Communications Interface Unit is restarted. Send or receive the data again, if necessary.
- If you use this instruction, do not assign device variables to any I/O ports that are indicated with *W* in the R/W column on the I/O Map Tab Page in the Sysmac Studio for the applicable NX-series Communications Interface Unit.
- An error will occur in the following cases. *Error* will change to TRUE.
  - a) A value that is out of range was set for *Kind*, *DevicePort.DevicePortType*, or *DevicePort.PortNo*.
  - b) The Unit, Option Board, or port specified with *DevicePort* does not exist.
  - c) An RS-422A/485 serial port is specified with *DevicePort*.
  - d) When **RS/CS flow control** is selected for the flow control setting of the NX-series Communications Interface Unit and this instruction sends *RS Signal ON* or *RS Signal OFF*.
  - e) More than 32 of the following instructions were executed at the same time: *NX\_SerialSend*, *NX\_SerialRcv*, *NX\_ModbusRtuCmd*, *NX\_ModbusRtuRead*, *NX\_ModbusRtuWrite*, *NX\_SerialSigCtl*, *NX\_SerialSigRead*, *NX\_SerialStatusRead*, *NX\_SerialBufClear*, *NX\_SerialStartMon*, and *NX\_SerialStopMon*.
  - f) This instruction is executed with a device port variable that is the same as the one specified for another instruction that is still being executed.  
 In this case, the instruction which is still being executed is one of the followings: the *NX\_SerialSigRead* instruction, *NX\_SerialStatusRead* instruction, *NX\_SerialSigCtl* instruction, *NX\_SerialBufClear* instruction, *NX\_SerialStartMon* instruction, and *NX\_SerialStopMon* instruction.
  - g) Timeout time elapsed.
  - h) This instruction is executed for Units other than NX-series Communications Interface Units and Option Boards.
  - i) The serial communications mode of the specified Option Board is not *No-protocol* or *Modbus-RTU master*.

### Sample Programming

In this sample, an NX-series Communications Interface Unit (NX-CIF210) is connected to an EtherCAT Coupler Unit (NX-ECC203).

The unit number of the NX-CIF210 is set to 1.



The ER signal is turned ON if the SetER signal is turned ON for a no-protocol remote node that is connected to serial port 2 of the NX-CIF210. The ER signal is turned OFF if the ResetER signal is turned ON for the same remote node.

## Definitions of Global Variables

### ● Global Variables

Name	Data type	AT	Comment
E001_NX_Unit_I_O_Data_Active_Status_63	ARRAY[0..63] OF BOOL	ECAT://node#1/NX Unit I/O Data Active Status 125	Usage of I/O data for 63 NX Units.
N1_Node_location_information	_sNXUNIT_ID	---	Device variable to specify NX-CIF210*1

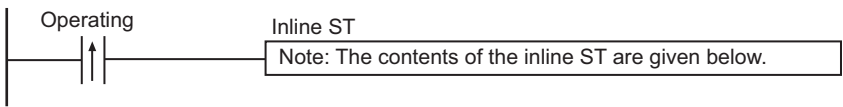
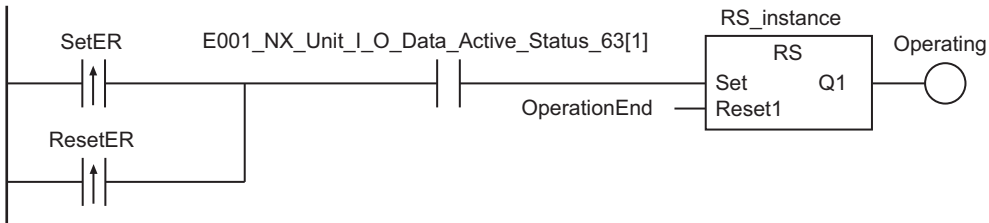
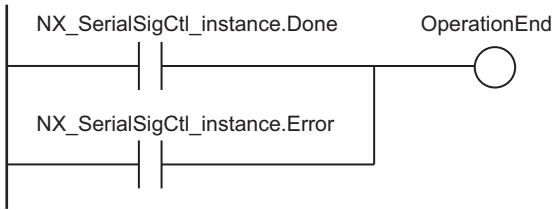
- \*1. On the Sysmac Studio, right-click an NX-series slave terminal unit, select **Display Node Location Port**, and set the device variable. Refer to the *Sysmac Studio Version 1 Operation Manual (Cat. No. W504)* for details.

## LD

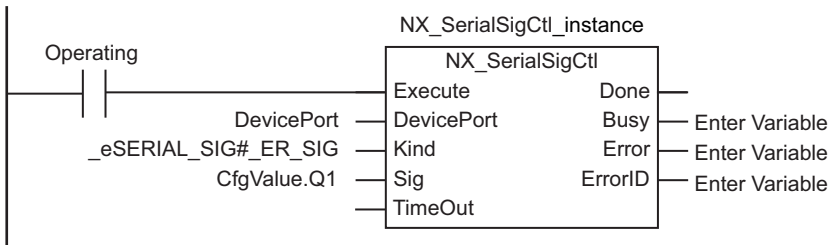
Internal Variables	Variable	Data type	Initial value	Comment
	OperationEnd	BOOL	FALSE	Processing completed
	SetER	BOOL	FALSE	ER signal ON execution condition
	ResetER	BOOL	FALSE	ER signal OFF execution condition
	Operating	BOOL	FALSE	Processing
	DevicePort	_sDEVICE_PORT		Port settings
	RS_instance	RS	---	<i>Operating</i> retained
	CfgValue	RS	---	Value determined by <i>SetER</i> or <i>ResetER</i>
	NX_SerialSigCtl_instance	NX_SerialSigCtl	---	

External Variables	Variable	Data type	Comment
	E001_NX_Unit_I_O_Data_Active_Status_63	ARRAY[0..63] OF BOOL	<ul style="list-style-type: none"> <li>Usage of I/O data for 63 NX Units.</li> <li>If the relevant Unit number is 1, E001_NX_Unit_I_O_Data_Active_Status_63[1] is used.</li> </ul>
	N1_Node_location_information	_sNXUNIT_ID	Device variable to specify NX-CIF210

Determine if execution of the NX\_SerialSigCtl instruction has ended.



Execute NX\_SerialSigCtl instruction.



● Contents of Inline ST

```
DevicePort.DeviceType:=_eDEVICE_TYPE#_DeviceNXUnit;
DevicePort.NxUnit:=N1_Node_location_information;
DevicePort.PortNo:=2;
```

ST

Internal Variables	Variable	Data type	Initial value	Comment
	OperatingStart	BOOL	FALSE	Processing started
	SetER	BOOL	FALSE	ER signal ON execution condition

Internal Variables	Variable	Data type	Initial value	Comment
	ResetER	BOOL	FALSE	ER signal OFF execution condition
	DevicePort	_sDEVICE_PORT		Port settings
	CfgValue	RS	---	Value determined by <i>SetER</i> or <i>ResetER</i>
	NX_SerialSigCtl_instance	NX_SerialSigCtl	---	

External Variables	Name	Data type	Comment
	E001_NX_Unit_I_O_Data_Active_Status_63	ARRAY[0..63] OF BOOL	<ul style="list-style-type: none"> <li>Usage of I/O data for 63 NX Units.</li> <li>If the relevant Unit number is 1, E001_NX_Unit_I_O_Data_Active_Status_63[1] is used.</li> </ul>
	N1_Node_location_information	_sNXUNIT_ID	Device variable to specify NX-CIF210

```
// Detection of SetER or ResetER
IF (NX_SerialSigCtl_instance.Done OR NX_SerialSigCtl_instance.Error) THEN
    OperatingStart:=FALSE;
ELSE_IF
    OperatingStart:=(SetER OR ResetER)
                    AND E001_NX_Unit_I_O_Data_Active_Status_63[1]
                    AND NOT(P_FirstRun);
    DevicePort.DeviceType:=_eDEVICE_TYPE#_DeviceNXUnit;
    DevicePort.NxUnit:=N1_Node_location_information;
    DevicePort.PortNo:=2;
END_IF;

// ER signal value is determined.
CfgValue(Set:=SetER, Reset1:=ResetER);

// NX_SerialSigCtl instruction is executed.
NX_SerialSigCtl_instance(Execute:=OperatingStart,
                        DevicePort:=DevicePort,
                        Kind:=_eSERIAL_SIG#_SIG_ER,
                        Sig:=CfgValue.Q1);
```

# NX\_SerialSigRead

The NX\_SerialSigRead instruction reads the CS or DR signal of a serial port on an Option Board.

Instruction	Name	FB/ FUN	Graphic expression	ST expression
NX_SerialSig- Read	Read Serial Control Signal	FB		NX_SerialSigRead_instance(Execute, DevicePort, Kind, TimeOut, Done, Busy, Error, ErrorID, Sig);



## Precautions for Correct Use

You can use this instruction for an Option Board for the NX1P2 CPU Unit only.

## Variables

	Meaning	I/O	Description	Valid range	Unit	Default
DevicePort	Device port	Input	Object that represents a device port	---	---	---
Kind	Signal command		Signal command	_CS_SIG _DR_SIG*1	---	*2
TimeOut	Timeout time		Timeout time If 0 is set, the timeout time is 2.0 s.	Depends on data type.	0.1 s	0
Sig	Signal	Output	Outputs the signal that was read.	Depends on data type.	---	---

\*1. You cannot use \_RS\_SIG or \_ER\_SIG. If either of them is specified, an error will occur when the instruction is executed.

\*2. If you omit an input parameter, the default value is not applied. A building error will occur.

	Boo lean	Bit strings				Integers								Real num- bers		Times, durations, dates, and text strings					
	BOOL	BYTE	WORD	DWORD	LWORD	USINT	UINT	UDINT	ULINT	SINT	INT	DINT	LINT	REAL	LREAL	TIME	DATE	TOD	DT	STRING	
DevicePort																					
Kind																					
TimeOut							OK														
Sig	OK																				

## Function

The NX\_SerialSigRead instruction reads the CS or DR signal of a serial port on an Option Board.

If the signal that was read is ON, the *Sig* output variable is TRUE. If the signal is OFF, *Sig* is FALSE.

The data type of the *DevicePort* input variable is structure `_sDEVICE_PORT`. The specifications are as follows:

Name	Meaning	Description	Data type	Valid range	Unit	De- fault
DevicePort	Device port	Object that represents a device port	<code>_sDEVICE_PORT</code>	---	---	---
DeviceType	Device type	Type of the device to specify	<code>_eDEVICE_TYPE</code>	<code>_DeviceNXUnit</code> <code>_DeviceEcat-Slave</code> <code>_DeviceOption-Board</code>	---	---
NxUnit	Specified Unit	NX Unit to control	<code>_sNXUNIT_ID</code>	---	---	---
EcatSlave	Specified slave	EtherCAT slave to control	<code>_sECAT_ID</code>	---	---	---
OptBoard	Specified Option Board	Option Board to control	<code>_sOPTBOARD_ID</code>	---	---	---
Reserved	Reserved	Reserved	Reserved	---	---	---
PortNo	Port number	Port number 1: Port 1 2: Port 2	USINT	Depends on data type.	---	---

Use *DeviceType* to specify the device type.

For an Option Board, set this to `_DeviceOptionBoard`.

The variable used to specify the device is determined by the specified device type.

To specify an Option Board, use *OptBoard* to specify the device.

In this case, *NxUnit* and *EcatSlave* are not used.

To *OptBoard*, pass the device variable that is assigned to the node location information on the I/O Map for the device to specify.

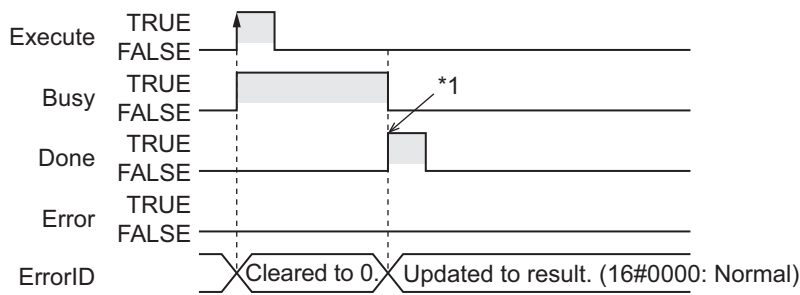
If you use this instruction, be sure to assign a device variable to the node location information. Do not assign device variables to any I/O ports following the node location information that are indicated by *W* under the R/W column.

The figure below is an example of using this instruction for port 1 on an NX-CIF210.



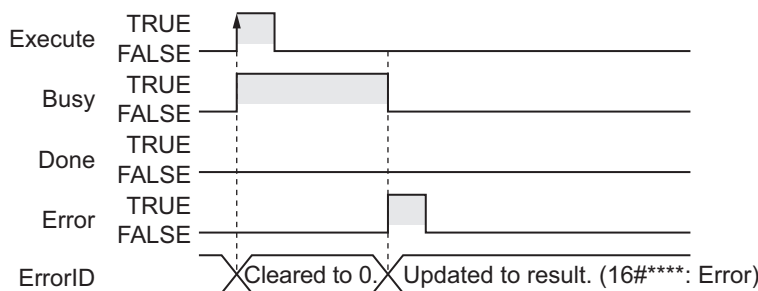


### ● Normal end



\*1. Signal reading is completed.

### ● Error end



## Related System-defined Variables

Name	Meaning	Data type	Description
_PLC_OptBoardSta	Option Board Status	ARRAY[1..2] of _sOPT-BOARD_STA	This stores the status of the Option Board.

## Precautions for Correct Use

- Execution of this instruction is continued until completed even when the value of *Execute* changes to FALSE or the execution time exceeds the task period. The value of *Done* changes to TRUE when the execution is completed. Use this to confirm normal completion of processing.
- A compiling error will occur if you use this instruction in an event task. Do not use this instruction in event tasks.
- This instruction does not check the communications protocol and wiring conditions. Before use, check the wiring conditions and communication protocol.
- A *CIF Unit Initialized* error may occur when the NX-series Communications Interface Unit is restarted. Send or receive the data again, if necessary.
- If you use this instruction, do not assign device variables to any I/O ports that are indicated with *W* in the R/W column on the I/O Map Tab Page in the Sysmac Studio for the applicable NX-series Communications Interface Unit.
- An error will occur in the following cases. *Error* will change to TRUE.
  - a) A value that is out of range was set for *Kind*, *DevicePort.DevicePortType*, or *DevicePort.PortNo*.
  - b) The Unit, Option Board, or port specified with *DevicePort* does not exist.
  - c) An RS-422A/485 serial port is specified with *DevicePort*.

- d) More than 32 of the following instructions were executed at the same time: NX\_SerialSend, NX\_SerialRcv, NX\_ModbusRtuCmd, NX\_ModbusRtuRead, NX\_ModbusRtuWrite, NX\_SerialSigCtl, NX\_SerialSigRead, NX\_SerialStatusRead, NX\_SerialBufClear, NX\_SerialStartMon, and NX\_SerialStopMon.
- e) This instruction is executed with a device port variable that is the same as the one specified for another instruction that is still being executed.  
In this case, the instruction which is still being executed is one of the followings: the NX\_SerialSigCtl instruction, NX\_SerialSigRead instruction, NX\_SerialStatusRead instruction, NX\_SerialBufClear instruction, NX\_SerialStartMon instruction, and NX\_SerialStopMon instruction.
- f) Timeout time elapsed.
- g) The instruction is executed for other than Option Boards.
- h) The serial communications mode of the specified Option Board is not *No-protocol* or *Modbus-RTU master*.

### Sample Programming

Refer to *Sample Programming* on page 2-1456 for the NX\_SerialSigCtl instruction.

# NX\_SerialStatusRead

The NX\_SerialStatusRead instruction reads the status of a serial port on an Option Board.

Instruction	Name	FB/ FUN	Graphic expression	ST expression
NX_SerialStatusRead	Read Serial Port Status	FB		NX_SerialStatusRead_instance(Execute, DevicePort, TimeOut, Done, Busy, Error, ErrorID, PortStatus);



## Precautions for Correct Use

You can use this instruction for an Option Board for the NX1P2 CPU Unit only.

## Variables

	Meaning	I/O	Description	Valid range	Unit	Default
DevicePort	Device port	Input	Object that represents a device port	---	---	---
TimeOut	Timeout time		Timeout time If 0 is set, the timeout time is 2.0 s.	Depends on data type.	0.1 s	0
PortStatus	Port status	Output	Outputs the port status that was read.	---	---	---

	Boo lean	Bit strings					Integers							Real num- bers		Times, durations, dates, and text strings				
	BOOL	BYTE	WORD	DWORD	LWORD	USINT	UINT	UDINT	ULINT	SINT	INT	DINT	LINT	REAL	LREAL	TIME	DATE	TOD	DT	STRING
DevicePort																				
TimeOut							OK													
PortStatus																				

## Function

The NX\_SerialStatusRead instruction reads the status of a serial port on an Option Board.

The data type of the *DevicePort* input variable is structure `_sDEVICE_PORT`. The specifications are as follows:

Name	Meaning	Description	Data type	Valid range	Unit	Default
DevicePort	Device port	Object that represents a device port	_sDEVICE_PORT	---	---	---
DeviceType	Device type	Type of the device to specify	_eDEVICE_TYPE	_DeviceNXUnit _DeviceEcat-Slave _DeviceOption-Board	---	---
NxUnit	Specified Unit	NX Unit to control	_sNXUNIT_ID	---	---	---
EcatSlave	Specified slave	EtherCAT slave to control	_sECAT_ID	---	---	---
OptBoard	Specified Option Board	Option Board to control	_sOPTBOARD_ID	---	---	---
Reserved	Reserved	Reserved	Reserved	---	---	---
PortNo	Port number	Port number 1: Port 1 2: Port 2	USINT	Depends on data type.	---	---

Use *DeviceType* to specify the device type.

For an Option Board, set this to *\_DeviceOptionBoard*.

The variable used to specify the device is determined by the specified device type.

To specify an Option Board, use *OptBoard* to specify the device.

In this case, *NxUnit* and *EcatSlave* are not used.

To *OptBoard*, pass the device variable that is assigned to the node location information on the I/O Map for the device to specify.

If you use this instruction, be sure to assign a device variable to the node location information. Do not assign device variables to any I/O ports following the node location information that are indicated by *W* under the R/W column.

The figure below is an example of using this instruction for port 1 on an NX-CIF210.

Assign a variable.

Position	Port	Description	R/W	Data Type	Variable
Unit1	NX-CIF210	Node location information	R	_sNXUNIT_ID	N1_Node_location_information
		Ch1 Output SID	W	USINT	
		Ch1 Input SID Response	W	USINT	
		Ch1 Output Data Type	W	WORD	
		Ch1 Output Sub Info	W	WORD	
		Ch1 Output Data Length	W	UINT	
		Ch1 Output Data 01	W	ARRAY[0..3] OF BYTE	
		Ch1 Output Data 02	W	ARRAY[0..3] OF BYTE	
		Ch1 Output Data 03	W	ARRAY[0..3] OF BYTE	
		Ch1 Output Data 04	W	ARRAY[0..3] OF BYTE	
		Ch1 Output Data 05	W	ARRAY[0..3] OF BYTE	

Do not assign variables.

Refer to the *Sysmac Studio Version 1 Operation Manual (Cat. No. W504)* for details on assigning a device variable to the node location information.

Use *PortNo* to specify the port number.

1: Port 1

2: Port 2

For an Option Board, set this to Port 1.

The data type of *DeviceType* is enumerated type `_eDEVICE_TYPE`.

The meanings of the enumerators of enumerated type `_eDEVICE_TYPE` are as follows:

Enumerator	Meaning
<code>_DeviceNXUnit</code>	NX Unit is specified.
<code>_DeviceEcatSlave</code>	EtherCAT slave is specified.
<code>_DeviceOptionBoard</code>	Option Board is specified.

In this instruction, you can specify `_DeviceOptionBoard`.

The data type of *PortStatus* output variable is structure `_sSERIAL_PORT_STATUS`.

The specifications are as follows:

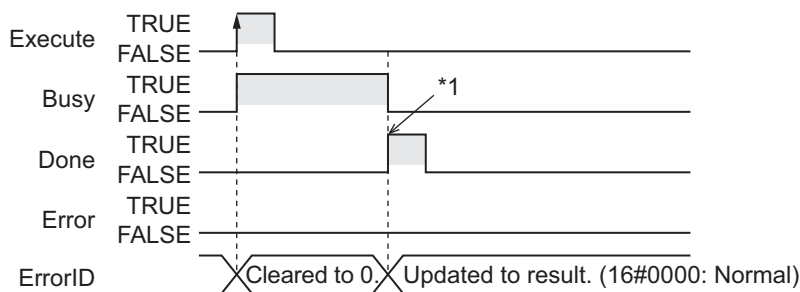
Name	Meaning	Description	Data type	Valid range	Unit	De- fault
PortStatus	Port status	Outputs the port status that was read.	<code>_sSERIAL_PORT_STATUS</code>	---	---	---
FullRcvBuf	Data discarded due to full receive buffer	TRUE: Data was discarded.*1 FALSE: Data was not discarded.	BOOL	Depends on data type.	---	---
Reserved	Reserved	Reserved	Reserved	---	---	---

\*1. Data in the receive buffer may not be complete.

## Timing Charts

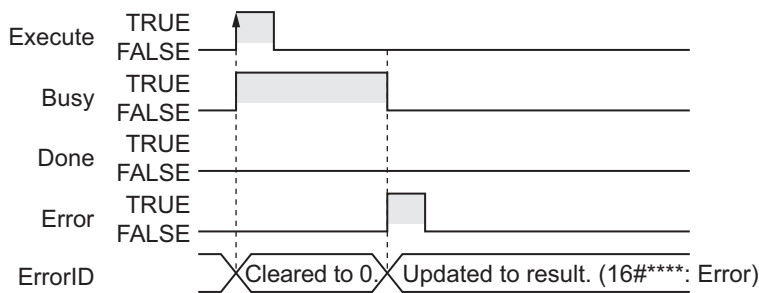
The following figures show the timing charts.

### ● Normal end



\*1. Port status reading is completed.

### ● Error end



### Related System-defined Variables

Name	Meaning	Data type	Description
_PLC_OptBoardSta	Option Board Status	ARRAY[1..2] of _sOPT-BOARD_STA	This stores the status of the Option Board.

### Precautions for Correct Use

- Execution of this instruction is continued until completed even when the value of *Execute* changes to FALSE or the execution time exceeds the task period. The value of *Done* changes to TRUE when the execution is completed. Use this to confirm normal completion of processing.
- A compiling error will occur if you use this instruction in an event task. Do not use this instruction in event tasks.
- This instruction does not check the communications protocol and wiring conditions. Before use, check the wiring conditions and communication protocol.
- A *CIF Unit Initialized* error may occur when the NX-series Communications Interface Unit is restarted. Send or receive the data again, if necessary.
- If you use this instruction, do not assign device variables to any I/O ports that are indicated with *W* in the R/W column on the I/O Map Tab Page in the Sysmac Studio for the applicable NX-series Communications Interface Unit.
- An error will occur in the following cases. *Error* will change to TRUE.
  - a) A value that is out of range was set for *Kind*, *DevicePort.DevicePortType*, or *DevicePort.PortNo*.
  - b) The Unit, Option Board, or port specified with *DevicePort* does not exist.
  - c) More than 32 of the following instructions were executed at the same time: *NX\_SerialSend*, *NX\_SerialRcv*, *NX\_ModbusRtuCmd*, *NX\_ModbusRtuRead*, *NX\_ModbusRtuWrite*, *NX\_SerialSigCtl*, *NX\_SerialSigRead*, *NX\_SerialStatusRead*, *NX\_SerialBufClear*, *NX\_SerialStartMon*, and *NX\_SerialStopMon*.
  - d) This instruction is executed with a device port variable that is the same as the one specified for another instruction that is still being executed.  
In this case, the instruction which is still being executed is one of the followings: the *NX\_SerialSigCtl* instruction, *NX\_SerialSigRead* instruction, *NX\_SerialStatusRead* instruction, *NX\_SerialBufClear* instruction, *NX\_SerialStartMon* instruction, and *NX\_SerialStopMon* instruction.
  - e) Timeout time elapsed.
  - f) The instruction is executed for other than Option Boards.
  - g) The serial communications mode of the specified Option Board is not *No-protocol* or *Modbus-RTU master*.

## Sample Programming

Refer to *Sample Programming* on page 2-1456 for the NX\_SerialSigCtl instruction.

# NX\_SerialBufClear

The NX\_SerialBufClear instruction clears the send or receive buffer.

Instruction	Name	FB/ FUN	Graphic expression	ST expression
NX_SerialBufClear	Clear Buffer	FB		NX_SerialBufClear_instance(Execute, DevicePort, BufKind, TimeOut, Done, Busy, Error, ErrorID);



## Version Information

A CPU Unit with unit version 1.11 or later and Sysmac Studio version 1.15 or higher are required to use this instruction.

## Variables

	Meaning	I/O	Description	Valid range	Unit	Default
DevicePort	Device port	Input	Object that represents a device port	---	---	---
BufKind	Buffer type		Type (send or receive) of buffer	_BUF_SENDR CV _BUF_SEND _BUF_RCV	---	_BUF- SENDR CV
TimeOut	Timeout time		Timeout time If 0 is set, the timeout time is 2.0 s.	Depends on data type.	0.1 s	0

	Boo lean	Bit strings				Integers								Real num- bers		Times, durations, dates, and text strings				
	BOOL	BYTE	WORD	DWORD	LWORD	USINT	UINT	UDINT	ULINT	SINT	INT	DINT	LINT	REAL	LREAL	TIME	DATE	TOD	DT	STRING
DevicePort	Refer to <i>Function</i> on page 2-1470 for details on the structure <code>_sDEVICE_PORT</code> .																			
BufKind	Refer to <i>Function</i> on page 2-1470 for the enumerators of the enumerated type <code>_eSERIAL_BUF_KIND</code> .																			
TimeOut							OK													

## Function

The NX\_SerialBufClear clears data in a buffer according to the setting of type of the port and buffer. The instruction ends normally when the clear processing is completed.

The data type of the *DevicePort* input variable is structure `_sDEVICE_PORT`. The specifications are as follows:



Name	Meaning	Description	Data type	Valid range	Unit	Default
DevicePort	Device port	Object that represents a device port	_sDEVICE_PORT	---	---	---
DeviceType	Device type	Type of the device to specify	_eDEVICE_TYPE	_DeviceNXUnit _DeviceEcat-Slave _DeviceOption-Board	---	---
NxUnit	Specified Unit	NX Unit to control	_sNXUNIT_ID	---	---	---
EcatSlave	Specified slave	EtherCAT slave to control	_sECAT_ID	---	---	---
OptBoard	Specified Option Board	Option Board to control	_sOPTBOARD_ID	---	---	---
Reserved	Reserved	Reserved	Reserved	---	---	---
PortNo	Port number	Port number 1: Port 1 2: Port 2	USINT	Depends on data type.	---	---

Use *DeviceType* to specify the device type.

Set this to `_DeviceNXUnit` for an NX Unit and `_DeviceOptionBoard` for an Option Board.

The variable used to specify the device is determined by the specified device type.

To specify an NX Unit, use *NxUnit* to specify the device.

In this case, *EcatSlave* and *OptBoard* are not used.

To *NxUnit*, pass the device variable that is assigned to the node location information on the I/O Map for the device to specify.

To specify an Option Board, use *OptBoard* to specify the device.

In this case, *NxUnit* and *EcatSlave* are not used.

To *OptBoard*, pass the device variable that is assigned to the node location information on the I/O Map for the device to specify.

If you use this instruction, be sure to assign a device variable to the node location information. Do not assign device variables to any I/O ports following the node location information that are indicated by *W* under the R/W column.

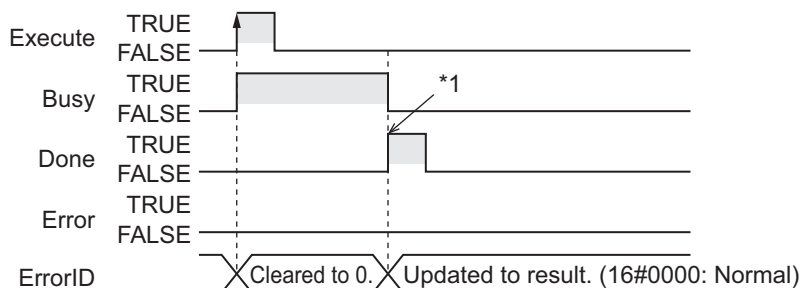
The figure below is an example of using this instruction for port 1 on an NX-CIF210.



## Timing Charts

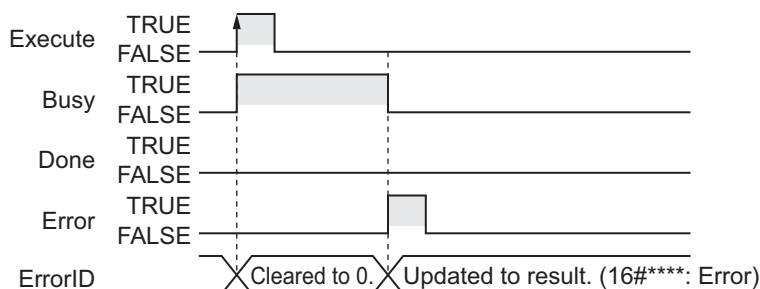
The following figures show the timing charts.

### ● Normal end



\*1. Buffer clear processing is completed.

### ● Error end



## Related System-defined Variables

Name	Meaning	Data type	Description
_PLC_OptBoard- Sta <sup>*1</sup>	Option Board Sta- tus	ARRAY[1..2] of _sOPTBOARD_STA	This stores the status of the Option Board.
_NXB_UnitIOAc- tiveTbl <sup>*2</sup>	NX Unit I/O Data Active Status	ARRAY[0..32] OF BOOL <sup>*3</sup>	<ul style="list-style-type: none"> <li>This status tells the NX Units whether I/O data communications can be processed.</li> <li>The subscript of the array corresponds to the NX Unit numbers. A subscript of 0 means the NX bus master.</li> </ul>

\*1. You can use this variable only with NX1P2 CPU Units.

\*2. You can use this variable with NX502 CPU Units, NX102 CPU Units, and NX1P2 CPU Units.

\*3. For the NX1P2 CPU Units, the data type is *ARRAY [0..8] OF BOOL*.

## Precautions for Correct Use

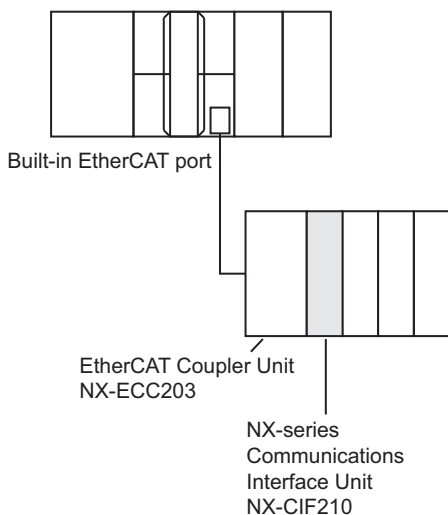
- Execution of this instruction is continued until completed even when the value of *Execute* changes to FALSE or the execution time exceeds the task period. The value of *Done* changes to TRUE when the execution is completed. Use this to confirm normal completion of processing.
- A compiling error will occur if you use this instruction in an event task. Do not use this instruction in event tasks.

- This instruction does not check the communications protocol and wiring conditions. Before use, check the wiring conditions and communication protocol.
- A *CIF Unit Initialized* error may occur when the NX-series Communications Interface Unit is restarted. Send or receive the data again, if necessary.
- If you use this instruction, do not assign device variables to any I/O ports that are indicated with *W* in the R/W column on the I/O Map Tab Page in the Sysmac Studio for the applicable NX-series Communications Interface Unit.
- An error will occur in the following cases. *Error* will change to TRUE.
  - a) A value that is out of range was set for *BufKind*, *DevicePort.DevicePortType*, or *DevicePort.PortNo*.
  - b) The Unit, Option Board, or port specified with *DevicePort* does not exist.
  - c) More than 32 of the following instructions were executed at the same time: *NX\_SerialSend*, *NX\_SerialRcv*, *NX\_ModbusRtuCmd*, *NX\_ModbusRtuRead*, *NX\_ModbusRtuWrite*, *NX\_SerialSigCtl*, *NX\_SerialSigRead*, *NX\_SerialStatusRead*, *NX\_SerialBufClear*, *NX\_SerialStartMon*, and *NX\_SerialStopMon*.
  - d) This instruction is executed with a device port variable that is the same as the one specified for another instruction that is still being executed.  
 In this case, the instruction which is still being executed is one of the followings: the *NX\_SerialSend* instruction, *NX\_SerialRcv* instruction, *NX\_ModbusRtuCmd* instruction, *NX\_ModbusRtuRead* instruction, *NX\_ModbusRtuWrite* instruction, *NX\_SerialSigCtl* instruction, *NX\_SerialSigRead* instruction, *NX\_SerialStatusRead* instruction, *NX\_SerialBufClear* instruction, *NX\_SerialStartMon* instruction, and *NX\_SerialStopMon* instruction.
  - e) Timeout time elapsed.
  - f) This instruction is executed for Units other than NX-series Communications Interface Units and Option Boards.
  - g) The serial communications mode of the specified Option Board is not *No-protocol* or *Modbus-RTU master*.

### Sample Programming

In this sample, an NX-series Communications Interface Unit (NX-CIF210) is connected to an EtherCAT Coupler Unit (NX-ECC203).

The unit number of the NX-CIF210 is set to 1.



This instruction clears the receive buffer of serial port 2 on NX-CIF210. When clear processing is completed, the instruction waits for data that does not have start code and has the *CR* end code.

## Definitions of Global Variables

### ● Global Variables

Name	Data type	AT	Comment
E001_NX_Unit_I_O_Data_Active_Status_63	ARRAY[0..63] OF BOOL	ECAT://node#1/NX Unit I/O Data Active Status 125	Usage of I/O data for 63 NX Units.
N1_Node_location_information	_sNXUNIT_ID	---	Device variable to specify NX-CIF210*1

\*1. On the Sysmac Studio, right-click an NX-series slave terminal unit, select **Display Node Location Port**, and set the device variable. Refer to the *Sysmac Studio Version 1 Operation Manual (Cat. No. W504)* for details.

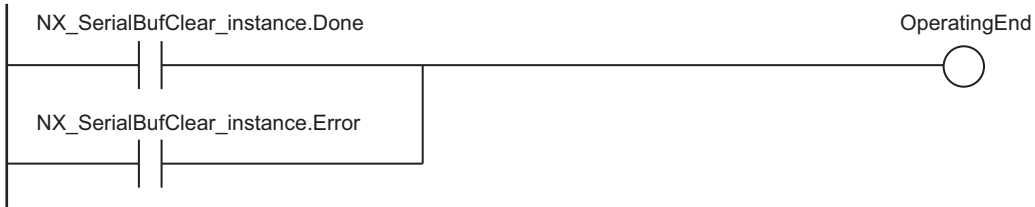
## LD

Internal Variables	Variable	Data type	Initial value	Comment
	OperatingEnd	BOOL	FALSE	Buffer clear processing finished
	Trigger	BOOL	FALSE	Buffer clear execution condition
	Operating	BOOL	FALSE	Buffer clear processing in progress
	SelectSendBuf	BOOL	FALSE	Send buffer selection
	SelectRcvBuf	BOOL	FALSE	Receive buffer selection
	BufKind	_eSERIAL_BUF_KIND	_BUF_SENDRCV	Buffer setting
	DevicePort	_sDEVICE_PORT		Port settings
	NX_SerialBufClear_instance	NX_SerialBufClear	---	
	RcvngEnd	BOOL		Receive processing completed
	Rcvng	BOOL		Receive processing in progress
	RcvCfg	_sSERIAL_CFG		Reception completion setting
	StartTrig	_eSERIAL_START	_SERIAL_START_NONE	
	StartCode	ARRAY[0..1] OF BYTE	[2(16#0)]	
	EndTrig	_eSERIAL_END	_SERIAL_END_CODE1	
	EndCode	ARRAY[0..1] OF BYTE	[16#0D, 16#00]	End code: CR
	RcvSizeCfg	UINT	0	
	Option	_sSERIAL_RCV_OPTION		

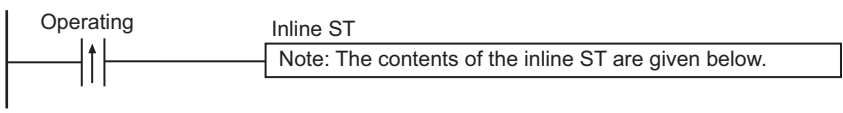
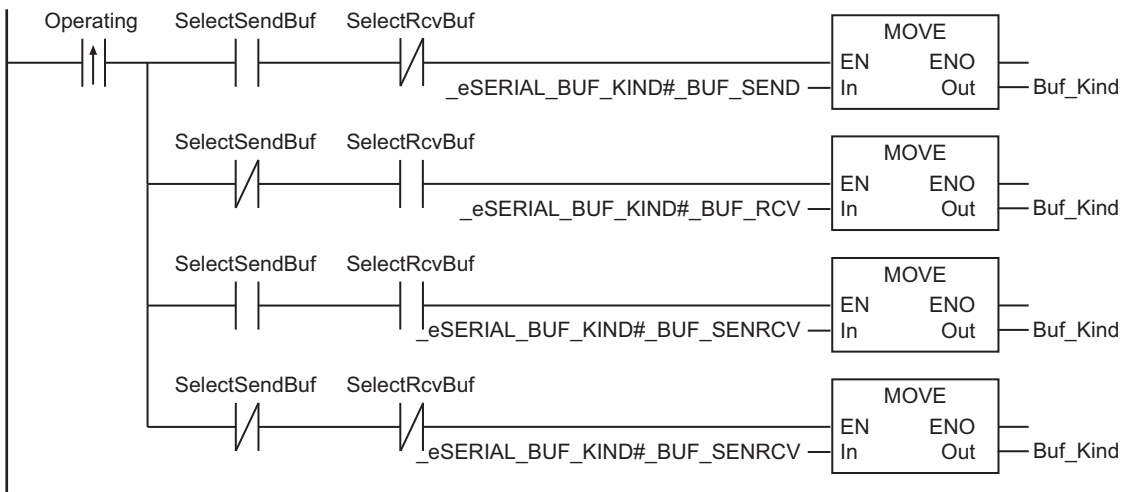
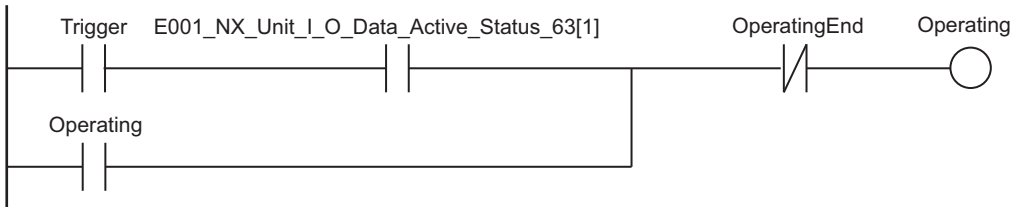
Internal Variables	Variable	Data type	Initial value	Comment
	TimeOut	TIME	TIME#0 s	
	LastDatRcv	BOOL	FALSE	
	ClearBuf	BOOL	FALSE	

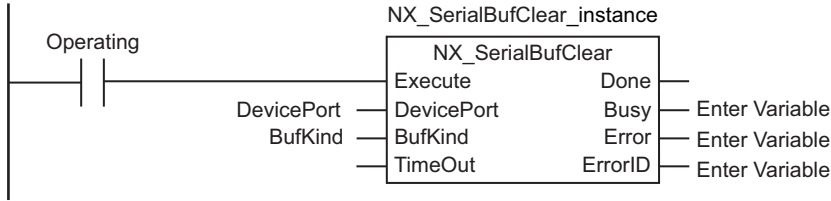
External Variables	Variable	Data type	Comment
	E001_NX_Unit_I_O_Data_Active_Status_63	ARRAY[0..63] OF BOOL	<ul style="list-style-type: none"> <li>Usage of I/O data for 63 NX Units.</li> <li>If the relevant Unit number is 1, E001_NX_Unit_I_O_Data_Active_Status_63[1] is used.</li> </ul>
	N1_Node_location_information	_sNXUNIT_ID	Device variable to specify NX-CIF210

Determine if execution of the NX\_SerialBufClear instruction has ended.

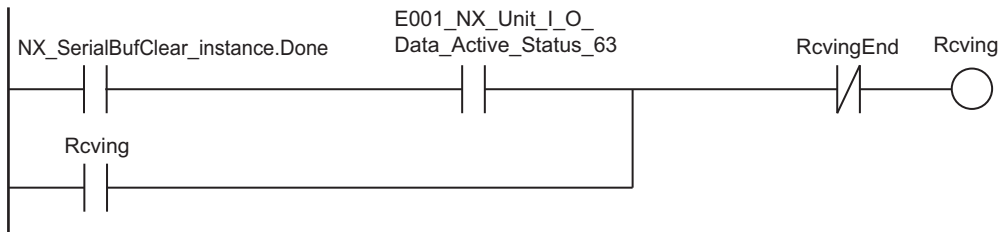
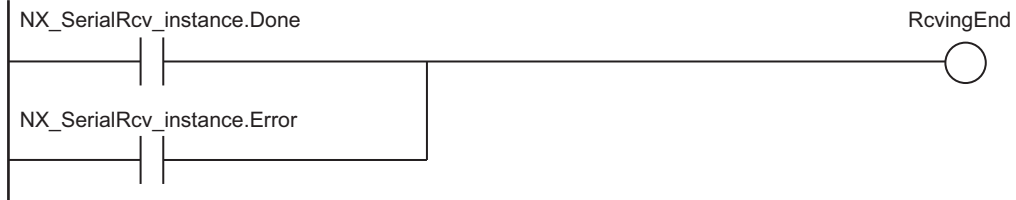


Accept trigger.

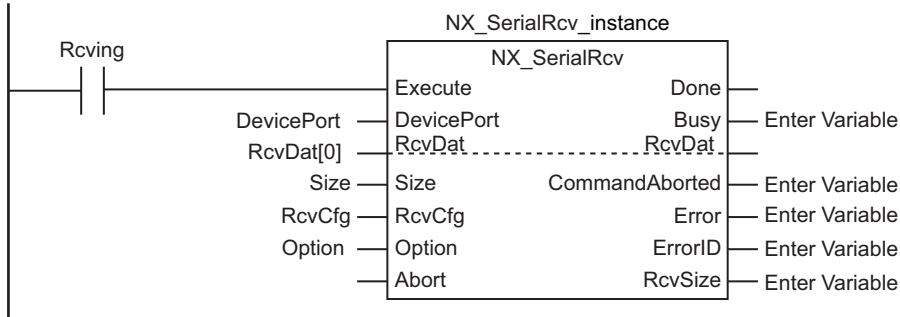




Determine if execution of the NX\_SerialRcv instruction has ended.



Execute NX\_SerialRcv instruction.



### ● Contents of Inline ST

```
DevicePort.DeviceType:=_eDEVICE_TYPE#_DeviceNXUnit;
DevicePort.NxUnit:=N1_Node_location_information;
DevicePort.PortNo:=2;
```

### ST

Internal Variables	Variable	Data type	Initial value	Comment
	OperatingEnd	BOOL	FALSE	Buffer clear processing finished
	Trigger	BOOL	FALSE	Buffer clear execution condition

Internal Variables	Variable	Data type	Initial value	Comment
	Operating	BOOL	FALSE	Buffer clear processing in progress
	SelectSendBuf	BOOL	FALSE	Send buffer selection
	SelectRcvBuf	BOOL	FALSE	Receive buffer selection
	BufKind	_eSERIAL_BUF_KIND	_BUF_SENDRCV	Buffer setting
	DevicePort	_sDEVICE_PORT		Port settings
	NX_SerialBuf-Clear_instance	NX_SerialBufClear	---	
	RcvingEnd	BOOL		Receive processing completed
	Rcving	BOOL		Receive processing in progress
	RcvCfg	_sSERIAL_CFG		Reception completion setting
	StartTrig	_eSERIAL_START	_SERIAL_START_NONE	
	StartCode	ARRAY[0..1] OF BYTE	[2(16#0)]	
	EndTrig	_eSERIAL_END	_SERIAL_END_CODE1	
	EndCode	ARRAY[0..1] OF BYTE	[16#0D, 16#00]	End code: CR
	RcvSizeCfg	UINT	0	
	Option	_sSERIAL_RCV_OPTION		
	TimeOut	TIME	TIME#0 s	
	LastDatRcv	BOOL	FALSE	
	ClearBuf	BOOL	FALSE	

External Variables	Variable	Data type	Comment
	E001_NX_Unit_I_O_Data_Active_Status_63	ARRAY[0..63] OF BOOL	<ul style="list-style-type: none"> <li>Usage of I/O data for 63 NX Units.</li> <li>If the relevant Unit number is 1, E001_NX_Unit_I_O_Data_Active_Status_63[1] is used.</li> </ul>
	N1_Node_location_information	_sNXUNIT_ID	Device variable to specify NX-CIF210

```
// Condition setting
RS_instance1(Set:=Trigger AND E001_NX_Unit_I_O_Data_Active_Status_63[1]
             Reset1:=OperatingEnd,
             Q1=>Operating);
R_Trigger_instance(Clk:=Operating);
IF ( (R_Trigger_instance.Q=TRUE) ) THEN
    DevicePort.DeviceType:=_eDEVICE_TYPE#_DeviceNXUnit;
    DevicePort.NxUnit:=N1_Node_location_information;
    DevicePort.PortNo:=2;
    IF ( (SelectSendBuf=TRUE) ) THEN
```



```

        IF (SelectRcvBuf=TRUE) THEN
            BufKind:=_eSERIAL_BUF_KIND#_BUF_SENDRCV;
        ELSE
            BufKind:=_eSERIAL_BUF_KIND#_BUF_SEND;
        END_IF;
    ELSE
        IF (SelectRcvBuf=TRUE) THEN
            BufKind:=_eSERIAL_BUF_KIND#_BUF_RCV;
        ELSE
            BufKind:=_eSERIAL_BUF_KIND#_BUF_SENDRCV;
        END_IF;
    END_IF;
END_IF;

// Execute buffer clear
NX_SerialBufClear_instance(Execute:=Operating,
                           DevicePort:=DevicePort,
                           BufKind:=BufKind);

//
RS_instane2(Set:=NX_SerialBufClear.Done AND E001_NX_Unit_I_O_Data_Active_Status_63[
1],
            Reset1:=NX_SerialRcv_instance.Done OR NX_SerialRcv_instance.Error,
            Q1=>Rcving);

//
NX_SerialRcv_instance(Execute:=Rcving,
                     DevicePort:=DevicePort,
                     RcvDat:=RcvDat[0],
                     Size:=Size,
                     RcvCfg:=RcvCfg,
                     Option:=Option);

```

# NX\_SerialStartMon

The NX\_SerialStartMon instruction starts serial line monitoring of an NX-series Communications Interface Unit.

Instruction	Name	FB/ FUN	Graphic expression	ST expression
NX_Serial- StartMon	Start Serial Line Monitoring	FB		NX_SerialStartMon_instance(Execute, DevicePort, Continuous, TimeOut, Done, Busy, Error, ErrorID);



## Precautions for Correct Use

You cannot use this instruction for an Option Board for the NX1P2 CPU Unit.



## Version Information

A CPU Unit with unit version 1.11 or later and Sysmac Studio version 1.15 or higher are required to use this instruction.

## Variables

	Meaning	I/O	Description	Valid range	Unit	Default
DevicePort	Device port	Input	Object that represents a device port	---	---	---
Continuous	Continuous monitoring		Serial line monitor operation method TRUE: Continuous FALSE: One-shot	Depends on data type.	---	FALSE
TimeOut	Timeout time		Timeout time If 0 is set, the timeout time is 2.0 s.	Depends on data type.	0.1 s	0

	Boo lean	Bit strings				Integers								Real numbers		Times, durations, dates, and text strings				
	BOOL	BYTE	WORD	DWORD	LWORD	USINT	UINT	UDINT	ULINT	SINT	INT	DINT	LINT	REAL	LREAL	TIME	DATE	TOD	DT	STRING
DevicePort	Refer to <i>Function</i> on page 2-1481 for details on the structure <code>_sDEVICE_PORT</code> .																			
Continuous	OK																			
TimeOut							OK													

## Function

The `NX_SerialStartMon` instruction starts serial line monitoring of an NX-series Communications Interface Unit.

This instruction ends normally after serial line monitoring starts.

The data type of the `DevicePort` input variable is structure `_sDEVICE_PORT`. The specifications are as follows:

Variables	Meaning	Description	Data type	Valid range	Unit	Default
<code>DevicePort</code>	Device port	Object that represents a device port	<code>_sDEVICE_PORT</code>	---	---	---
<code>DeviceType</code>	Device type	Type of the device to specify	<code>_eDEVICE_TYPE</code>	<code>_DeviceNXUnit</code> <code>_DeviceEcat-Slave</code> <code>_DeviceOption-Board</code>	---	---
<code>NxUnit</code>	Specified Unit	NX Unit to control	<code>_sNXUNIT_ID</code>	---	---	---
<code>EcatSlave</code>	Specified slave	EtherCAT slave to control	<code>_sECAT_ID</code>	---	---	---
<code>OptBoard</code>	Specified Option Board	Option Board to control	<code>_sOPTBOARD_ID</code>	---	---	---
Reserved	Reserved	Reserved	Reserved	---	---	---
<code>PortNo</code>	Port number	Port number 1: Port 1 2: Port 2	USINT	Depends on data type.	---	---

Use `DeviceType` to specify the device type.

Set this to `_DeviceNXUnit` for an NX Unit.

The variable used to specify the device is determined by the specified device type.

In this instruction, `NxUnit` is used to specify the device. `EcatSlave` and `OptBoard` are not used.

To `NxUnit`, pass the device variable that is assigned to the node location information on the I/O Map for the device to specify.

If you use this instruction, be sure to assign a device variable to the node location information. Do not assign device variables to any I/O ports following the node location information that are indicated by *W* under the R/W column.

The figure below is an example of using this instruction for port 1 on an NX-CIF210.

Assign a variable.

Position	Port	Description	R/W	Data Type	Variable
Unit1	▼ NX-CIF210	Node location information	R	_sNXUNIT_ID	N1_Node_location_information
		...			
		Ch1 Output SID	W	USINT	
		Ch1 Input SID Response	W	USINT	
		▶ Ch1 Output Data Type	W	WORD	
		Ch1 Output Sub Info	W	WORD	
		Ch1 Output Data Length	W	UINT	
		▶ Ch1 Output Data 01	W	ARRAY[0..3] OF BYTE	
		▶ Ch1 Output Data 02	W	ARRAY[0..3] OF BYTE	
		▶ Ch1 Output Data 03	W	ARRAY[0..3] OF BYTE	
		▶ Ch1 Output Data 04	W	ARRAY[0..3] OF BYTE	
		▶ Ch1 Output Data 05	W	ARRAY[0..3] OF BYTE	

Do not assign variables.

Refer to the *Sysmac Studio Version 1 Operation Manual (Cat. No. W504)* for details on assigning a device variable to the node location information.

Use *PortNo* to specify the port number.

- 1: Port 1
- 2: Port 2

The data type of *DeviceType* is enumerated type `_eDEVICE_TYPE`.

The meanings of the enumerators of enumerated type `_eDEVICE_TYPE` are as follows:

Enumerator	Meaning
<code>_DeviceNXUnit</code>	NX Unit is specified.
<code>_DeviceEcatSlave</code>	EtherCAT slave is specified.
<code>_DeviceOptionBoard</code>	Option Board is specified.

In this instruction, you can specify `_DeviceNXUnit`.

When the *Continuous* input variable is TRUE, continuous monitoring is selected and the monitoring is continued until the `NX_SerialStopMon` instruction is executed.

When the *Continuous* input variable is FALSE, one-shot monitoring is selected and serial line monitoring is continued until the buffer becomes full or the `NX_SerialStopMon` instruction is executed.

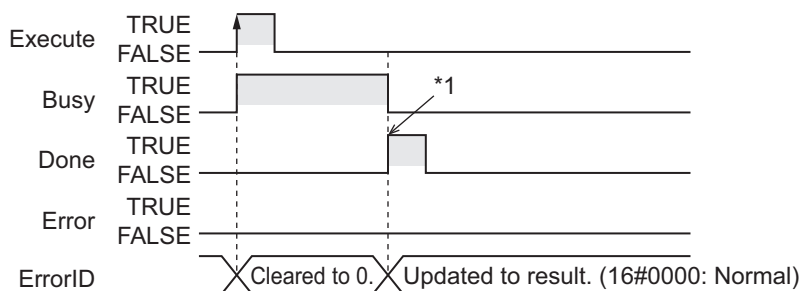
 **Precautions for Correct Use**

An error occurs if this instruction is executed for Units other than NX-series Communications Interface Units.

## Timing Charts

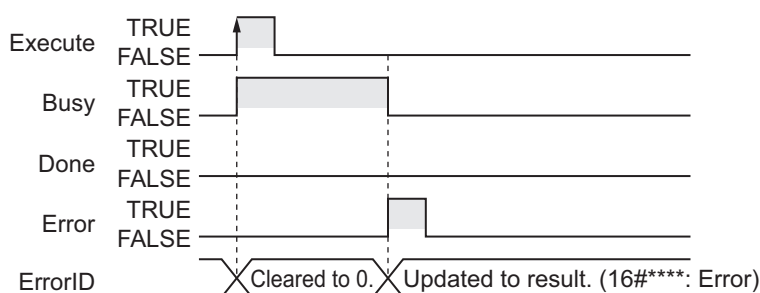
The following figures show the timing charts.

### ● Normal end



\*1. Serial line monitoring is started.

### ● Error end



## Related System-defined Variables

Name	Meaning	Data type	Description
_NXB_UnitIOActiveTbl	NX Unit I/O Data Active Status	ARRAY[0..32] OF BOOL	<ul style="list-style-type: none"> <li>This status tells the NX Units whether I/O data communications can be processed.</li> <li>The subscript of the array corresponds to the NX Unit numbers. A subscript of 0 means the NX bus master.</li> </ul>

## Precautions for Correct Use

- Execution of this instruction is continued until completed even when the value of *Execute* changes to FALSE or the execution time exceeds the task period. The value of *Done* changes to TRUE when the execution is completed. Use this to confirm normal completion of processing.
- A compiling error will occur if you use this instruction in an event task. Do not use this instruction in event tasks.
- A *CIF Unit Initialized* error may occur when the NX-series Communications Interface Unit is restarted. Send or receive the data again, if necessary.
- If you use this instruction, do not assign device variables to any I/O ports that are indicated with *W* in the R/W column on the I/O Map Tab Page in the Sysmac Studio for the applicable NX-series Communications Interface Unit.
- An error will occur in the following cases. *Error* will change to TRUE.
  - a) A value that is out of range was set for *DevicePort.DevicePortType* or *DevicePort.PortNo*.
  - b) The Unit, Option Board, or port specified with *DevicePort* does not exist.
  - c) More than 32 of the following instructions were executed at the same time: *NX\_SerialSend*, *NX\_SerialRcv*, *NX\_ModbusRtuCmd*, *NX\_ModbusRtuRead*, *NX\_ModbusRtuWrite*,

NX\_SerialSigCtl, NX\_SerialSigRead, NX\_SerialStatusRead, NX\_SerialBufClear, NX\_SerialStartMon, and NX\_SerialStopMon.

- d) This instruction is executed with a device port variable that is the same as the one specified for the instruction which is still being executed.

In this case, the instruction which is still being executed is one of the followings: the NX\_SerialSigCtl instruction, NX\_SerialSigRead instruction, NX\_SerialStatusRead instruction, NX\_SerialBufClear instruction, NX\_SerialStartMon instruction, and NX\_SerialStopMon instruction.

- e) Timeout time elapsed.
- f) This instruction is executed for Units other than NX-series Communications Interface Units.

# NX\_SerialStopMon

The NX\_SerialStopMon instruction stops serial line monitoring of an NX-series Communications Interface Unit.

Instruction	Name	FB/ FUN	Graphic expression	ST expression
NX_Serial- StopMon	Stop Serial Line Monitoring	FB		NX_SerialStopMon_instance(Execute, DevicePort, TimeOut, Done, Busy, Error, ErrorID);



## Precautions for Correct Use

You cannot use this instruction for an Option Board for the NX1P2 CPU Unit.



## Version Information

A CPU Unit with unit version 1.11 or later and Sysmac Studio version 1.15 or higher are required to use this instruction.

## Variables

	Meaning	I/O	Description	Valid range	Unit	Default
DevicePort	Device port	Input	Object that represents a device port	---	---	---
TimeOut	Timeout time		Timeout time If 0 is set, the timeout time is 2.0 s.	Depends on data type.	0.1 s	0

	Boo lean	Bit strings				Integers							Real num bers		Times, durations, dates, and text strings							
	BOOL	BYTE	WORD	DWORD	LWORD	USINT	UINT	UDINT	ULINT	SINT	INT	DINT	LINT	REAL	LREAL	TIME	DATE	TOD	DT	STRING		
DevicePort																						Refer to <i>Function</i> on page 2-1485 for details on the structure <code>_sDEVICE_PORT</code> .
TimeOut							OK															

## Function

The NX\_SerialStopMon instruction stops serial line monitoring of an NX-series Communications Interface Unit.

This instruction ends normally after serial line monitoring stops.

The data type of the *DevicePort* input variable is structure `_sDEVICE_PORT`. The specifications are as follows:

Variables	Meaning	Description	Data type	Valid range	Unit	De- fault
DevicePort	Device port	Object that represents a device port	_sDEVICE_PORT	---	---	---
DeviceType	Device type	Type of the device to specify	_eDEVICE_TYPE	_DeviceNXUnit _DeviceEcat-Slave _DeviceOption-Board	---	---
NxUnit	Specified Unit	NX Unit to control	_sNXUNIT_ID	---	---	---
EcatSlave	Specified slave	EtherCAT slave to control	_sECAT_ID	---	---	---
OptBoard	Specified Option Board	Option Board to control	_sOPTBOARD_ID	---	---	---
Reserved	Reserved	Reserved	Reserved	---	---	---
PortNo	Port number	Port number 1: Port 1 2: Port 2	USINT	Depends on data type.	---	---

Use *DeviceType* to specify the device type.

Set this to *\_DeviceNXUnit* for an NX Unit.

The variable used to specify the device is determined by the specified device type.

In this instruction, *NxUnit* is used to specify the device. *EcatSlave* and *OptBoard* are not used.

To *NxUnit*, pass the device variable that is assigned to the node location information on the I/O Map for the device to specify.

If you use this instruction, be sure to assign a device variable to the node location information. Do not assign device variables to any I/O ports following the node location information that are indicated by *W* under the R/W column.

The figure below is an example of using this instruction for port 1 on an NX-CIF210.

The screenshot shows the I/O Map configuration for Unit1. The top section shows 'Node location information' with a red arrow pointing to the 'Variable' column where 'N1\_Node\_location\_information' is assigned. The bottom section shows various output data points (Ch1 Output SID, Ch1 Input SID Response, Ch1 Output Data Type, Ch1 Output Sub Info, Ch1 Output Data Length, and Ch1 Output Data 01-05) with a red arrow pointing to the 'Variable' column, indicating that no variables should be assigned to these points.

Position	Port	Description	R/W	Data Type	Variable
Unit1	NX-CIF210	Node location information	R	_sNXUNIT_ID	N1_Node_location_information
		Ch1 Output SID	W	USINT	
		Ch1 Input SID Response	W	USINT	
		Ch1 Output Data Type	W	WORD	
		Ch1 Output Sub Info	W	WORD	
		Ch1 Output Data Length	W	UINT	
		Ch1 Output Data 01	W	ARRAY[0..3] OF BYTE	
		Ch1 Output Data 02	W	ARRAY[0..3] OF BYTE	
		Ch1 Output Data 03	W	ARRAY[0..3] OF BYTE	
		Ch1 Output Data 04	W	ARRAY[0..3] OF BYTE	
		Ch1 Output Data 05	W	ARRAY[0..3] OF BYTE	

Refer to the *Sysmac Studio Version 1 Operation Manual (Cat. No. W504)* for details on assigning a device variable to the node location information.

Use *PortNo* to specify the port number.



- 1: Port 1
- 2: Port 2

The data type of *DeviceType* is enumerated type `_eDEVICE_TYPE`.

The meanings of the enumerators of enumerated type `_eDEVICE_TYPE` are as follows:

Enumerator	Meaning
<code>_DeviceNXUnit</code>	NX Unit is specified.
<code>_DeviceEcatSlave</code>	EtherCAT slave is specified.
<code>_DeviceOptionBoard</code>	Option Board is specified.

In this instruction, you can specify `_DeviceNXUnit`.



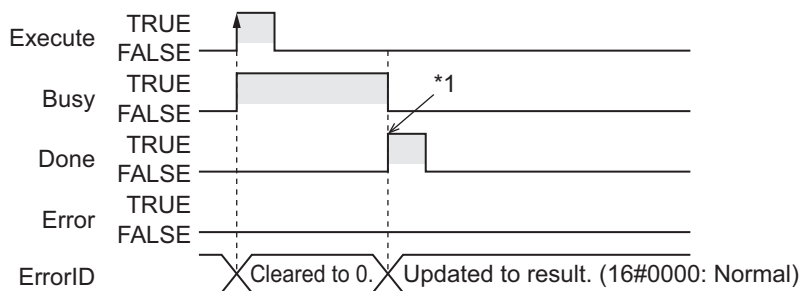
#### Precautions for Correct Use

An error occurs if this instruction is executed for Units other than NX-series Communications Interface Units.

## Timing Charts

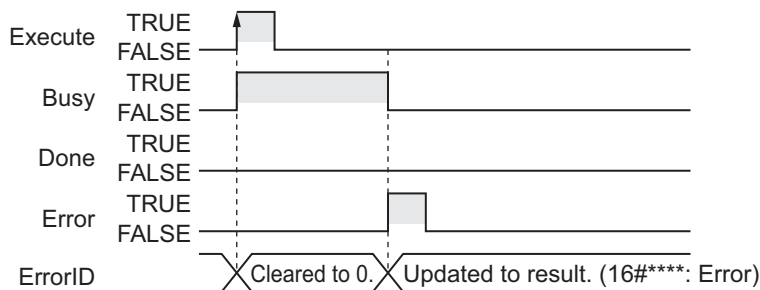
The following figures show the timing charts.

### ● Normal end



\*1. Serial line monitoring is stopped.

### ● Error end



## Related System-defined Variables

Name	Meaning	Data type	Description
_NXB_UnitIOActiveTbl	NX Unit I/O Data Active Status	ARRAY[0..32] OF BOOL	<ul style="list-style-type: none"> <li>This status tells the NX Units whether I/O data communications can be processed.</li> <li>The subscript of the array corresponds to the NX Unit numbers. A subscript of 0 means the NX bus master.</li> </ul>

## Precautions for Correct Use

- Execution of this instruction is continued until completed even when the value of *Execute* changes to FALSE or the execution time exceeds the task period. The value of *Done* changes to TRUE when the execution is completed. Use this to confirm normal completion of processing.
- A compiling error will occur if you use this instruction in an event task. Do not use this instruction in event tasks.
- A *CIF Unit Initialized* error may occur when the NX-series Communications Interface Unit is restarted. Send or receive the data again, if necessary.
- If you use this instruction, do not assign device variables to any I/O ports that are indicated with *W* in the R/W column on the I/O Map Tab Page in the Sysmac Studio for the applicable NX-series Communications Interface Unit.
- An error will occur in the following cases. *Error* will change to TRUE.
  - a) A value that is out of range was set for *DevicePort.DevicePortType* or *DevicePort.PortNo*.
  - b) The Unit, Option Board, or port specified with *DevicePort* does not exist.
  - c) More than 32 of the following instructions were executed at the same time: *NX\_SerialSend*, *NX\_SerialRcv*, *NX\_ModbusRtuCmd*, *NX\_ModbusRtuRead*, *NX\_ModbusRtuWrite*, *NX\_SerialSigCtl*, *NX\_SerialSigRead*, *NX\_SerialStatusRead*, *NX\_SerialBufClear*, *NX\_SerialStartMon*, and *NX\_SerialStopMon*.
  - d) This instruction is executed with a device port variable that is the same as the one specified for another instruction that is still being executed.  
In this case, the instruction which is still being executed is one of the followings: the *NX\_SerialSigCtl* instruction, *NX\_SerialSigRead* instruction, *NX\_SerialStatusRead* instruction, *NX\_SerialBufClear* instruction, *NX\_SerialStartMon* instruction, and *NX\_SerialStopMon* instruction.
  - e) Timeout time elapsed.
  - f) This instruction is executed for Units other than NX-series Communications Interface Units.

# SD Memory Card Instructions

Instruction	Name	Page
FileWriteVar	Write Variable to File	page 2-1490
FileReadVar	Read Variable from File	page 2-1496
FileOpen	Open File	page 2-1502
FileClose	Close File	page 2-1506
FileSeek	Seek File	page 2-1509
FileRead	Read File	page 2-1512
FileWrite	Write File	page 2-1520
FileGets	Get Text String	page 2-1528
FilePuts	Put Text String	page 2-1536
FileCopy	Copy File	page 2-1545
FileRemove	Delete File	page 2-1553
FileRename	Change File Name	page 2-1558
DirCreate	Create Directory	page 2-1564
DirRemove	Delete Directory	page 2-1567
BackupToMemoryCard	SD Memory Card Backup	page 2-1570

# FileWriteVar

The FileWriteVar instruction writes the value of a variable to the specified file in the SD Memory Card. The value is written in binary format.

Instruction	Name	FB/ FUN	Graphic expression	ST expression
FileWriteVar	Write Variable to File	FB	<pre> FileWriteVar_instance ┌───────────────────┐ │ FileWriteVar      │ ├───────────────────┤ │ Execute   Done   │ ├──────────┴───┬───┤ │ FileName   Busy │ ├──────────┴───┬───┤ │ WriteVar   Error│ ├──────────┴───┬───┤ │ OverWrite  ErrorID│ └──────────────────┘ </pre>	FileWriteVar_instance(Execute, FileName, WriteVar, OverWrite, Done, Busy, Error, ErrorID);

## Variables

	Meaning	I/O	Description	Valid range	Unit	Default
FileName	File name	Input	Name of file to which to write variable	66 bytes max. (65 single-byte alphanumeric characters plus the final NULL character)	---	"
WriteVar	Variable		Variable to write	Depends on data type.		*1
OverWrite	Overwrite enable		TRUE: Enable overwrite. FALSE: Prohibit overwrite.			FALSE

\*1. If you omit the input parameter, the default value is not applied. A building error will occur.

	Boo lean	Bit strings					Integers							Real num- bers		Times, durations, dates, and text strings				
	BOOL	BYTE	WORD	DWORD	LWORD	USINT	UINT	UDINT	ULINT	SINT	INT	DINT	LINT	REAL	LREAL	TIME	DATE	TOD	DT	STRING
FileName																				OK
WriteVar	OK	OK	OK	OK	OK	OK	OK	OK	OK	OK	OK	OK	OK	OK	OK	OK	OK	OK	OK	OK
	An enumeration, array, array element, structure, or structure member can also be specified.																			
OverWrite	OK																			

## Function

The FileWriteVar instruction writes the value of variable *WriteVar* to the file specified by *FileName* in the SD Memory Card. The value is written in binary format.

You can specify an enumeration, array, array element, structure, or structure member for *WriteVar*.

If a file with the name *FileName* does not exist on the SD Memory Card, it is created.

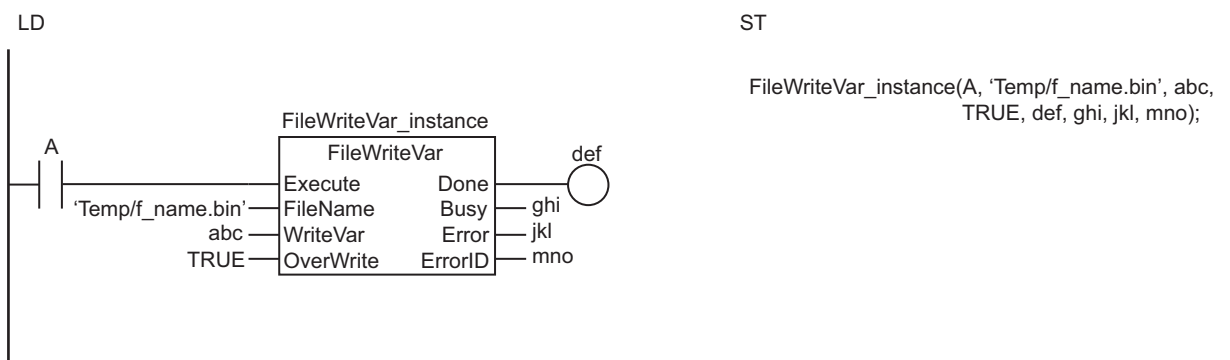
*FileName* includes the path. If a specified directory does not exist in the SD Memory Card, it is created. However, the directory is created only when only the lowest directory level of the specified path does not exist.

If a file with the name *FileName* already exists in the SD Memory Card, the following processing is performed depending on the value of overwrite enable *OverWrite*.

Value of <i>OverWrite</i>	Processing
TRUE (Enable overwrite.)	The existing file is overwritten.
FALSE (Prohibit overwrite.)	The file is not overwritten and an error occurs.

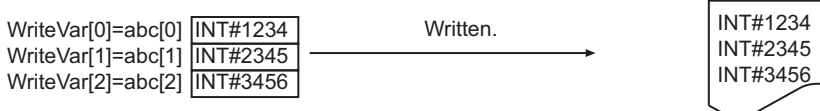
The following figure shows a programming example.

The contents of array variable *abc* is written to a file named 'Temp/f\_name.bin'. Variable *abc* is an INT array variable with three elements.



The FileWriteVar instruction writes the value of variable **WriteVar** to the file specified by **FileName** in the SD Memory Card. The value is written in binary format.

File **FileName** = 'Temp/f\_name.bin'



### Related System-defined Variables

Name	Meaning	Data type	Description
_Card1Ready	SD Memory Card Ready Flag	BOOL	This flag indicates if the SD Memory Card can be accessed by instructions and communications commands. *1 TRUE: Can be used. FALSE: Cannot be used.
_Card1Protect	SD Memory Card Write Protected Flag	BOOL	This flag indicates if the SD Memory Card is write protected when it is inserted and ready to use. TRUE: Write protected. FALSE: Not write protected.
_Card1Err	SD Memory Card Error Flag	BOOL	This flag indicates if an SD Memory Card that cannot be used is mounted or if a format error occurs. TRUE: Error. FALSE: No error.

Name	Meaning	Data type	Description
_Card1Access	SD Memory Card Access Flag	BOOL	This flag indicates if the SD Memory Card is currently being accessed. TRUE: Being accessed. FALSE: Not being accessed.
_Card1PowerFail	SD Memory Card Power Interruption Flag	BOOL	This flag indicates if an error occurred in completing processing when power was interrupted during access.*2 This flag is not cleared automatically. TRUE: Error. FALSE: No error.

\*1. It is a precondition that the SD Memory Card is physically inserted and mounted normally.

\*2. This indicates an access to the SD Memory Card.

## Additional Information

The root directory of the file name is the top level of the SD Memory Card.

## Precautions for Correct Use

- Execution of this instruction is continued until completed even when the value of *Execute* changes to FALSE or the execution time exceeds the task period. The value of *Done* changes to TRUE when the execution is completed. Use this to confirm normal completion of processing.
- Refer to *Using this Section* on page 2-3 for a timing chart of *Execute*, *Done*, *Busy*, and *Error*.
- The entire data to write in the instruction is not retained.  
The concurrency of the value may not be maintained because the value is not synchronized with the execution timing of the instruction and the variable to pass to *WriteVar* is accessed each time.  
Do not access to the target variable during instruction execution.  
If the variable is accessed during instruction execution, an unintended value may be written in the file.
- Always use a variable for the input parameter to pass to *WriteVar*. A building error will occur if a constant is passed.
- If *WriteVar* is an enumeration, you cannot directly pass an enumerator to it. A building error will occur if an enumerator is passed to it directly.
- If the specified file is larger than the size of *WriteVar*, an error does not occur and only data that corresponds to the size of *WriteVar* is written. Once this instruction is executed, the specified file is reduced to the size of *WriteVar*.
- Data is written in byte increments. The lower bytes are written before the upper bytes (little endian).
- If *WriteVar* is a structure, adjustment areas between members may be inserted depending on the composition.
- Do not simultaneously access the same file. Perform exclusive control of SD Memory Card instructions in the user program.
- Even if the FileWriteVar (Write Variable to File) instruction is used to write the data to the SD Memory Card and the instruction ends normally, the data may not be written correctly to the SD Memory Card.  
If you want to confirm that the data was written correctly to the SD Memory Card, write the user program so that the written data is read with the FileReadVar (Read Variable from File) instruction and compared to the original data.

- An error will occur in the following cases. *Error* will change to TRUE.
  - a) The SD Memory Card is not in a usable condition.
  - b) The SD Memory Card is write protected.
  - c) There is insufficient space available on the SD Memory Card.
  - d) The value of *FileName* is not a valid file name.
  - e) A file with the name *FileName* already exists, and the file is being accessed.
  - f) A file with the name *FileName* already exists, and the value of *OverWrite* is FALSE.
  - g) A file with the name *FileName* already exists, and the file is write protected.
  - h) The value of *FileName* exceeds the maximum number of bytes allowed in a file name.
  - i) The maximum number of files or directories is exceeded.
  - j) Five or more of the following SD Memory Card instructions, which do not have *FileID*, are executed at the same time: FileWriteVar, FileReadVar, FileCopy, DirCreate, FileRemove, DirRemove, and FileRename.
  - k) While the SD Memory Card is being accessed, an error occurs and causes an access failure.

## Sample Programming

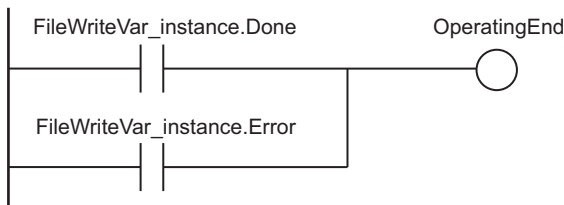
This sample writes all of array variable Var1[] to the file 'File1.dat.'

### LD

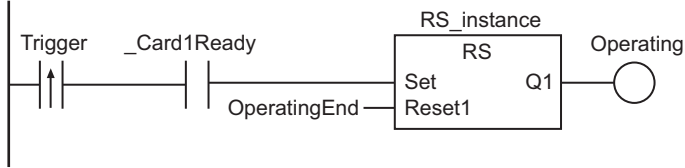
Internal Variables	Variable	Data type	Initial value	Comment
	OperatingEnd	BOOL	FALSE	Processing completed.
	Trigger	BOOL	FALSE	Execution condition
	Operating	BOOL	FALSE	Processing
	Var1	ARRAY[0..999] OF INT	[1000(0)]	Write data
	RS_instance	RS		
	FileWriteVar_instance	FileWriteVar		

External Variables	Variable	Data type	Comment
	_Card1Ready	BOOL	SD Memory Card Ready Flag

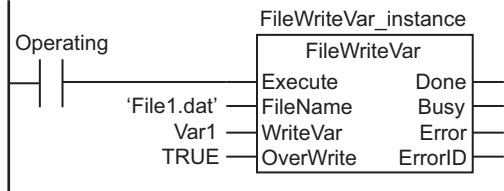
Determine if execution of the FileWriteVar instruction is completed.



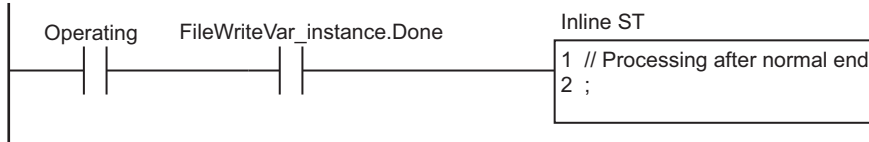
Accept trigger.



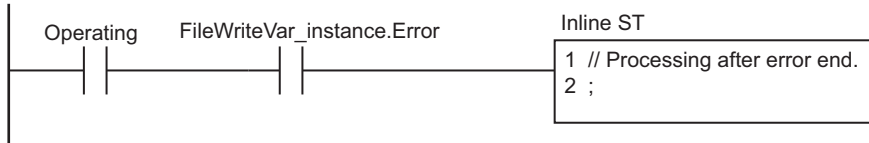
Execute FileWriteVar instruction.



Processing after normal end.



Processing after error end.



### ST

Internal Variables	Variable	Data type	Initial value	Comment
	Trigger	BOOL	FALSE	Execution condition
	LastTrigger	BOOL	FALSE	Value of Trigger from previous task period
	OperatingStart	BOOL	FALSE	Processing started.
	Operating	BOOL	FALSE	Processing
	Var1	ARRAY[0..999] OF INT	[1000(0)]	Variable
	FileWriteVar_instance	FileWriteVar		

External Variables	Variable	Data type	Comment
	_Card1Ready	BOOL	SD Memory Card Ready Flag

```
// Detect when Trigger changes to TRUE.
IF ( (Trigger=TRUE) AND (LastTrigger=FALSE) AND (_Card1Ready=TRUE) ) THEN
    OperatingStart:=TRUE;
```



```
        Operating      :=TRUE;
END_IF;
LastTrigger:=Trigger;

// Initialize FileWriteVar instruction.
IF (OperatingStart=TRUE) THEN
    FileWriteVar_instance(
        Execute      :=FALSE,
        WriteVar     :=Var1);
    OperatingStart:=FALSE;
END_IF;

// Execute FileWriteVar instruction.
IF (Operating=TRUE) THEN
    FileWriteVar_instance(
        Execute      :=TRUE,
        FileName    :='File1.dat', // File name
        WriteVar    :=Var1,        // Variable
        OverWrite:=TRUE);         // Enable overwrite.

    IF (FileWriteVar_instance.Done=TRUE) THEN
        // Processing after normal end.
        Operating:=FALSE;
    END_IF;

    IF (FileWriteVar_instance.Error=TRUE) THEN
        // Processing after error end.
        Operating:=FALSE;
    END_IF;
END_IF;
```

# FileReadVar

The FileReadVar instruction reads the contents of the specified file on the SD Memory Card as binary data and writes it to a variable.

Instruction	Name	FB/ FUN	Graphic expression	ST expression
FileReadVar	Read Variable from File	FB		FileReadVar_instance(Execute, FileName, ReadVar, Done, Busy, Error, ErrorID);

## Variables

	Meaning	I/O	Description	Valid range	Unit	Default
FileName	File name	Input	Name of file to read	66 bytes max. (65 single-byte alphanumeric characters plus the final NULL character)	---	"
ReadVar	Variable to write	In-out	Variable to which to write the value that was read	Depends on data type.	---	---

	Boo lean	Bit strings					Integers							Real num- bers		Times, durations, dates, and text strings				
	BOOL	BYTE	WORD	DWORD	LWORD	USINT	UINT	UDINT	ULINT	SINT	INT	DINT	LINT	REAL	LREAL	TIME	DATE	TOD	DT	STRING
FileName																				OK
ReadVar	OK	OK	OK	OK	OK	OK	OK	OK	OK	OK	OK	OK	OK	OK	OK	OK	OK	OK	OK	OK

An enumeration, array, array element, structure, or structure member can also be specified.

## Function

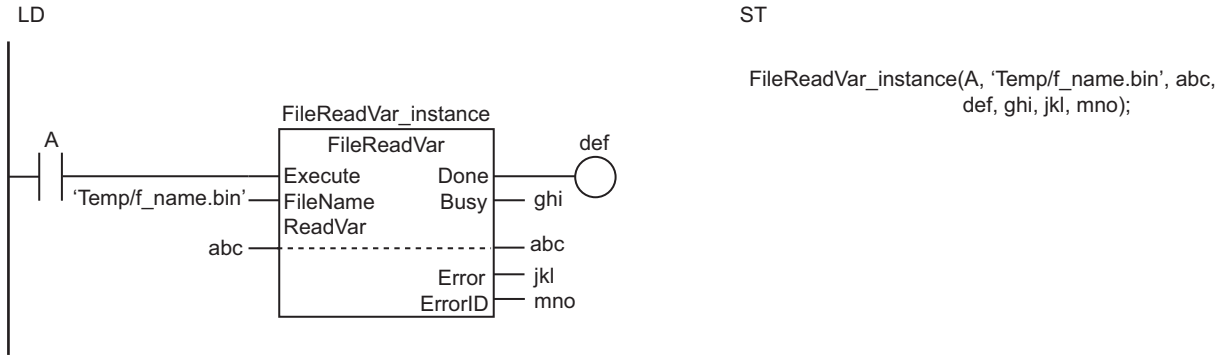
The FileReadVar instruction reads the contents of the file specified by *FileName* from the SD Memory Card as binary data. The contents that is read is assigned to variable to write *ReadVar*.

You can specify an enumeration, array, array element, structure, or structure member for *ReadVar*.

The following figure shows a programming example.

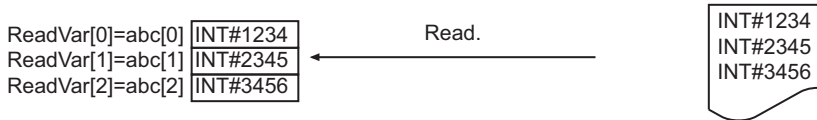
Here, the contents of the file called 'Temp/f\_name.bin' is read and written to the array variable abc[].

Variable *abc* is an INT array variable with three elements.



The FileReadVar instruction reads the contents of the file specified by **FileName** from the SD Memory Card as binary data and assigns it to variable **ReadVar**.

File **FileName** = 'Temp/f\_name.bin'



### Related System-defined Variables

Name	Meaning	Data type	Description
_Card1Ready	SD Memory Card Ready Flag	BOOL	This flag indicates if the SD Memory Card can be accessed by instructions and communications commands. *1 TRUE: Can be used. FALSE: Cannot be used.
_Card1Protect	SD Memory Card Write Protected Flag	BOOL	This flag indicates if the SD Memory Card is write protected when it is inserted and ready to use. TRUE: Write protected. FALSE: Not write protected.
_Card1Err	SD Memory Card Error Flag	BOOL	This flag indicates if an SD Memory Card that cannot be used is mounted or if a format error occurs. TRUE: Error. FALSE: No error.
_Card1Access	SD Memory Card Access Flag	BOOL	This flag indicates if the SD Memory Card is currently being accessed. TRUE: Being accessed. FALSE: Not being accessed.
_Card1PowerFail	SD Memory Card Power Interruption Flag	BOOL	This flag indicates if an error occurred in completing processing when power was interrupted during access.*2 This flag is not cleared automatically. TRUE: Error. FALSE: No error.

\*1. It is a precondition that the SD Memory Card is physically inserted and mounted normally.

\*2. This indicates an access to the SD Memory Card.

### Additional Information

The root directory of the file name is the top level of the SD Memory Card.

## Precautions for Correct Use

- Execution of this instruction is continued until completed even when the value of *Execute* changes to FALSE or the execution time exceeds the task period. The value of *Done* changes to TRUE when the execution is completed. Use this to confirm normal completion of processing.
- Refer to *Using this Section* on page 2-3 for a timing chart of *Execute*, *Done*, *Busy*, and *Error*.
- The entire data to read in the instruction is not retained.  
The concurrency of the value may not be maintained because the value is not synchronized with the execution timing of the instruction and the variable to pass to *ReadVar* is refreshed each time.  
Do not access to the target variable during instruction execution.  
If the variable is accessed during instruction execution, the variable may be refreshed with a value that is different from the value read from a file.
- If the specified file is larger than the size of *ReadVar*, an error does not occur and only data that corresponds to the size of *ReadVar* is read.
- If the specified file is smaller than the size of *ReadVar*, an error does not occur and only data that corresponds to the size of the specified file is read. The remaining area in *ReadVar* will retain the values from before execution of this instruction.
- Data is read in byte increments. The lower bytes are read before the upper bytes (little endian).
- If *ReadVar* is a structure, adjustment areas between members may be inserted depending on the composition.
- Do not simultaneously access the same file. Perform exclusive control of SD Memory Card instructions in the user program.
- You cannot specify a device variable for *ReadVar*. If you specify a device variable, the value that was read is not assigned to *ReadVar*.
- An error will occur in the following cases. *Error* will change to TRUE.
  - a) The SD Memory Card is not in a usable condition.
  - b) The file specified by *FileName* does not exist.
  - c) The file specified by *FileName* is being accessed.
  - d) The value of *FileName* is not a valid file name.
  - e) The value of *FileName* exceeds the maximum number of bytes allowed in a file name.
  - f) Five or more of the following SD Memory Card instructions, which do not have *FileID*, are executed at the same time: *FileWriteVar*, *FileReadVar*, *FileCopy*, *DirCreate*, *FileRemove*, *DirRemove*, and *FileRename*.
  - g) While the SD Memory Card is being accessed, an error occurs and causes an access failure.

## Sample Programming

This sample reads the contents of the file 'File1.dat' and stores it in array variable *Var1*.

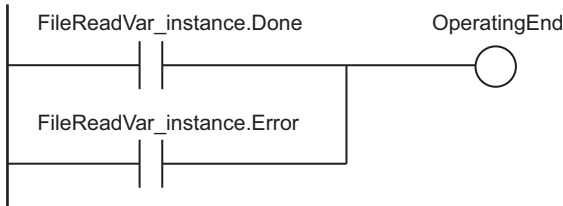
### LD

Internal Variables	Variable	Data type	Initial value	Comment
	OperatingEnd	BOOL	FALSE	Processing completed.
	Trigger	BOOL	FALSE	Execution condition
	Operating	BOOL	FALSE	Processing

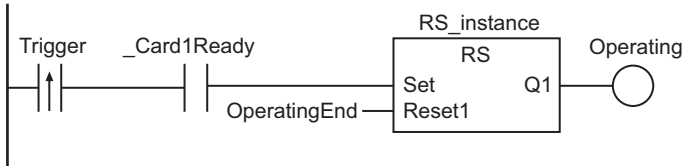
Internal Variables	Variable	Data type	Initial value	Comment
	Var1	ARRAY[0..999] OF INT	[1000(0)]	Read data
	RS_instance	RS		
	FileReadVar_instance	FileReadVar		

External Variables	Variable	Data type	Comment
	_Card1Ready	BOOL	SD Memory Card Ready Flag

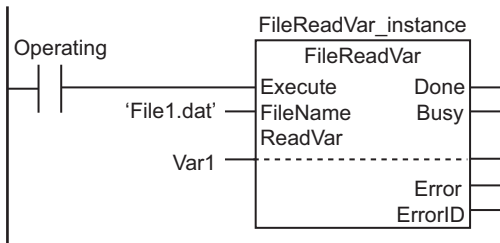
Determine if execution of the FileReadVar instruction is completed.



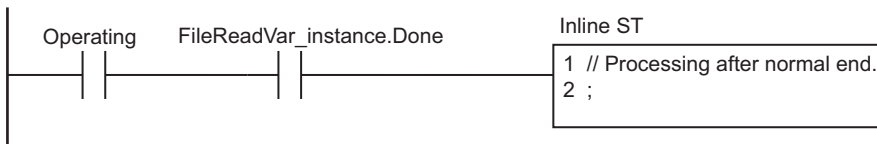
Accept trigger.



Execute FileReadVar instruction.



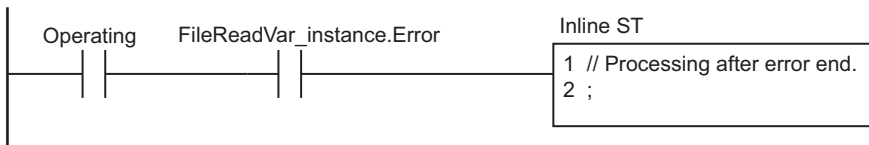
Processing after normal end.



```

Inline ST
1 // Processing after normal end.
2 ;
    
```

Processing after error end.



```

Inline ST
1 // Processing after error end.
2 ;
    
```

## ST

Internal Variables	Variable	Data type	Initial value	Comment
	Trigger	BOOL	FALSE	Execution condition
	LastTrigger	BOOL	FALSE	Value of Trigger from previous task period
	OperatingStart	BOOL	FALSE	Processing started.
	Operating	BOOL	FALSE	Processing
	Var1	ARRAY[0..999] OF INT	[1000(0)]	Variable to read
	FileReadVar_instance	FileReadVar		

External Variables	Variable	Data type	Comment
	_Card1Ready	BOOL	SD Memory Card Ready Flag

```
// Detect when Trigger changes to TRUE.
IF ( (Trigger=TRUE) AND (LastTrigger=FALSE) AND (_Card1Ready=TRUE) ) THEN
    OperatingStart:=TRUE;
    Operating      :=TRUE;
END_IF;
LastTrigger:=Trigger;

// Initialize FileReadVar instruction.
IF (OperatingStart=TRUE) THEN
    FileReadVar_instance(
        Execute      :=FALSE,
        ReadVar      :=Var1);
    OperatingStart:=FALSE;
END_IF;

// Execute FileReadVar instruction.
IF (Operating=TRUE) THEN
    FileReadVar_instance(
        Execute :=TRUE,
        FileName:='File1.dat',    // File name
        ReadVar :=Var1);         // Variable to read

    IF (FileReadVar_instance.Done=TRUE) THEN
        // Processing after normal end.
        Operating:=FALSE;
    END_IF;

    IF (FileReadVar_instance.Error=TRUE) THEN
        // Processing after error end.
```

```
        Operating:=FALSE;  
    END_IF;  
END_IF;
```

# FileOpen

The FileOpen instruction opens the specified file in the SD Memory Card.

Instruction	Name	FB/ FUN	Graphic expression	ST expression
FileOpen	Open File	FB		FileOpen_instance(Execute, File-Name, Mode, Done, Busy, Error, ErrorID, FileID);

## Variables

	Meaning	I/O	Description	Valid range	Unit	Default
FileName	File name	Input	Name of file to open	66 bytes max. (65 single-byte alphanumeric characters plus the final NULL character)	---	"
Mode	Open mode		Mode in which to open file	*1		_READ_EXIST
FileID	File ID	Output	ID of file that was opened	Depends on data type.	---	---

\*1. \_READ\_EXIST, \_RDWR\_EXIST, \_WRITE\_CREATE, \_RDWR\_CREATE, \_WRITE\_APPEND and \_RDWR\_APPEND

	Boo lean	Bit strings					Integers							Real num- bers		Times, durations, dates, and text strings				
	BOOL	BYTE	WORD	DWORD	LWORD	USINT	UINT	UDINT	ULINT	SINT	INT	DINT	LINT	REAL	LREAL	TIME	DATE	TOD	DT	STRING
FileName																				OK
Mode	Refer to <i>Function</i> on page 2-1502 for the enumerators for the enumerated type _eFOPEN_MODE.																			
FileID			OK																	

## Function

The FileOpen instruction opens the file specified by *FileName* in the SD Memory Card in the mode specified by *Mode*.

The result is output to file ID *FileID*. *FileID* is used to specify the file in other instructions, such as FileRead and FileWrite.

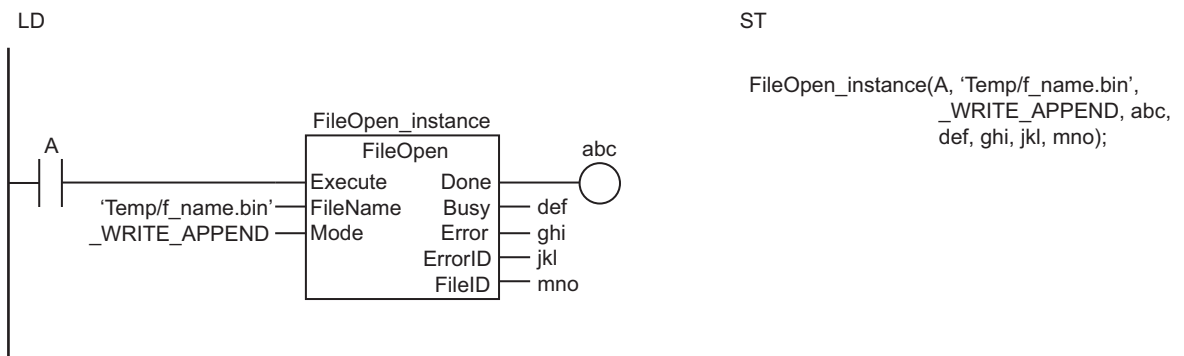
The data type of *Mode* is enumerated type \_eFOPEN\_MODE. The meanings of the enumerators are as follows:



Enumerator	Meaning
_READ_EXIST	Use this value to open a text file to read it. The file is read from the beginning.
_RDWR_EXIST	Use this value to open a file to read and write it. The file is read and written from the beginning.
_WRITE_CREATE	Use this value to open a file to write it. If the file already exists, the contents is discarded and the file size is set to 0. If the file does not exist, a new file is created. The file is written from the beginning. However, if the file already exists and it is write-protected, an error occurs and the file is not opened.
_RDWR_CREATE	Use this value to open a file to read and write it. If the file already exists, the contents is discarded and the file size is set to 0. If the file does not exist, a new file is created. The file is read and written from the beginning.
_WRITE_APPEND	Use this value to open a file to append data to it. If the file does not exist, a new file is created. The data is appended to the end of the file. However, if the file already exists and it is write-protected, an error occurs and the file is not opened.
_RDWR_APPEND	Use this value to open a file to read and append data to it. If the file does not exist, a new file is created. The file is read from the beginning. The data is appended to the end of the file.

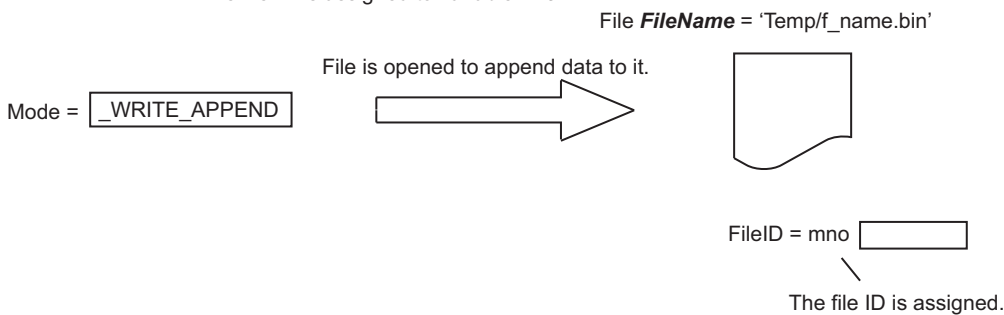
The following figure shows a programming example.

The file named 'Temp/f\_name.bin' is opened to append data to it. The file ID is assigned to variable *mno*.



The FileOpen instruction opens the file specified by **FileName** from the SD Memory Card to append data to it.

The file ID is assigned to variable **FileID**.



## Related System-defined Variables

Name	Meaning	Data type	Description
_Card1Ready	SD Memory Card Ready Flag	BOOL	This flag indicates if the SD Memory Card can be accessed by instructions and communications commands. *1 TRUE: Can be used. FALSE: Cannot be used.
_Card1Protect	SD Memory Card Write Protected Flag	BOOL	This flag indicates if the SD Memory Card is write protected when it is inserted and ready to use. TRUE: Write protected. FALSE: Not write protected.
_Card1Err	SD Memory Card Error Flag	BOOL	This flag indicates if an SD Memory Card that cannot be used is mounted or if a format error occurs. TRUE: Error. FALSE: No error.
_Card1Access	SD Memory Card Access Flag	BOOL	This flag indicates if the SD Memory Card is currently being accessed. TRUE: Being accessed. FALSE: Not being accessed.
_Card1PowerFail	SD Memory Card Power Interruption Flag	BOOL	This flag indicates if an error occurred in completing processing when power was interrupted during access.*2 This flag is not cleared automatically. TRUE: Error. FALSE: No error.

\*1. It is a precondition that the SD Memory Card is physically inserted and mounted normally.

\*2. This indicates an access to the SD Memory Card.

## Additional Information

The root directory of the file name is the top level of the SD Memory Card.

## Precautions for Correct Use

- Execution of this instruction is continued until completed even when the value of *Execute* changes to FALSE or the execution time exceeds the task period. The value of *Done* changes to TRUE when the execution is completed. Use this to confirm normal completion of processing.
- Refer to *Using this Section* on page 2-3 for a timing chart of *Execute*, *Done*, *Busy*, and *Error*.
- This instruction must be executed before any of the following instructions: FileSeek, FileRead, FileWrite, FileGets, and FilePuts.
- You must use the FileClose instruction to close any file that is opened with this instruction after you finish using it.
- A value is stored in *FileID* when the instruction is completed. Specifically, it is stored when the value of *Done* changes from FALSE to TRUE.
- When the operating mode of the CPU Unit is changed to PROGRAM mode or when a major fault level Controller error occurs, any open file is closed by the system. Any read or write operations in progress are continued up to the end.
- If a file is open when the power supply is stopped by pressing the SD Memory Card power supply switch, the file is not corrupted. The file, however, will remain open. Use the FileClose instruction to close the file.

- If a file is open and the SD Memory Card is removed before the SD Memory Card power supply switch is pressed, the contents of the file may be corrupted. Always turn OFF the power supply before removing the SD Memory Card.
- If a file is open and the SD Memory Card is removed before the SD Memory Card power supply switch is pressed, the file will remain open. Use the FileClose instruction to close the file.
- If a file is open when the power supply is stopped or the SD Memory Card is removed, the file will remain open, but it will not be possible to read or write the file even if the SD Memory Card is inserted again. To read or write the file, close the file and then open it again.
- Do not simultaneously access the same file. Perform exclusive control of SD Memory Card instructions in the user program.
- An error will occur in the following cases. *Error* will change to TRUE.
  - a) The SD Memory Card is not in a usable condition.
  - b) The SD Memory Card is write protected.
  - c) The value of *Mode* is `_READ_EXIST` or `_RDWR_EXIST`, and the file specified with *FileName* does not exist.
  - d) The value of *Mode* is outside the valid range.
  - e) The file specified by *FileName* is being accessed.
  - f) The value of *FileName* is not a valid file name.
  - g) The file specified by *FileName* is write protected.
  - h) The value of *FileName* exceeds the maximum number of bytes allowed in a file name.
  - i) An attempt was made to open more than five files at the same time.
  - j) The maximum number of files or directories is exceeded.
  - k) For CPU Unit version 1.10 or later, if you try to open a file that is already open, a *File Already in Use* error occurs, and the file ID of the open file is stored in the *FileID* output variable. The *FileID* output variable does not change if any other error occurs.  
For CPU Unit version 1.09 or earlier, 0 is stored in the *FileID* output variable if an error occurs.
  - l) While the SD Memory Card is being accessed, an error occurs and causes an access failure.

## Sample Programming

Refer to *Sample Programming* on page 2-1515 for the FileRead instruction, *Sample Programming* on page 2-1523 for the FileWrite instruction, *Sample Programming* on page 2-1530 for the FileGets instruction, and *Sample Programming* on page 2-1538 for the FilePuts instruction.

# FileClose

The FileClose instruction closes the specified file in the SD Memory Card.

Instruction	Name	FB/ FUN	Graphic expression	ST expression
FileClose	Close File	FB		FileClose_instance(Execute, FileID, Done, Busy, Error, ErrorID);

## Variables

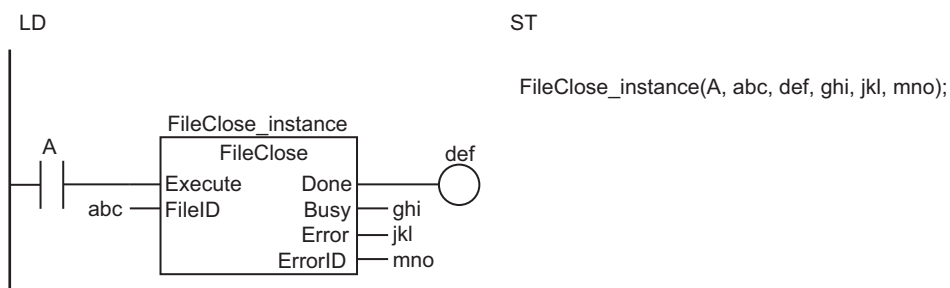
	Meaning	I/O	Description	Valid range	Unit	Default
FileID	File ID	Input	ID of file to close	Depends on data type.	---	0

	Boo lean	Bit strings					Integers							Real num- bers		Times, durations, dates, and text strings				
	BOOL	BYTE	WORD	DWORD	LWORD	USINT	UINT	UDINT	ULINT	SINT	INT	DINT	LINT	REAL	LREAL	TIME	DATE	TOD	DT	STRING
FileID				OK																

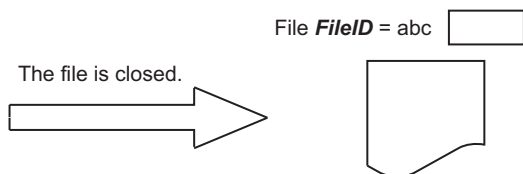
## Function

The FileClose instruction closes the file specified by *FileID* in the SD Memory Card.

The following figure shows a programming example. Here, the file whose file ID is the value of variable *abc* is closed.



The FileClose instruction closes the file specified by *FileID* in the SD Memory Card.



## Related System-defined Variables

Name	Meaning	Data type	Description
_Card1Ready	SD Memory Card Ready Flag	BOOL	This flag indicates if the SD Memory Card can be accessed by instructions and communications commands. <sup>*1</sup> TRUE: Can be used. FALSE: Cannot be used.
_Card1Protect	SD Memory Card Write Protected Flag	BOOL	This flag indicates if the SD Memory Card is write protected when it is inserted and ready to use. TRUE: Write protected. FALSE: Not write protected.
_Card1Err	SD Memory Card Error Flag	BOOL	This flag indicates if an SD Memory Card that cannot be used is mounted or if a format error occurs. TRUE: Error. FALSE: No error.
_Card1Access	SD Memory Card Access Flag	BOOL	This flag indicates if the SD Memory Card is currently being accessed. TRUE: Being accessed. FALSE: Not being accessed.
_Card1PowerFail	SD Memory Card Power Interruption Flag	BOOL	This flag indicates if an error occurred in completing processing when power was interrupted during access. <sup>*2</sup> This flag is not cleared automatically. TRUE: Error. FALSE: No error.

\*1. It is a precondition that the SD Memory Card is physically inserted and mounted normally.

\*2. This indicates an access to the SD Memory Card.

## Additional Information

You must open files with the FileOpen instruction for the following instructions: FileSeek, FileRead, FileWrite, FileGets, and FilePuts.

## Precautions for Correct Use

- Execution of this instruction is continued until completed even when the value of *Execute* changes to FALSE or the execution time exceeds the task period. The value of *Done* changes to TRUE when the execution is completed. Use this to confirm normal completion of processing.
- Refer to *Using this Section* on page 2-3 for a timing chart of *Execute*, *Done*, *Busy*, and *Error*.
- You must use the FileOpen instruction in advance to obtain the value for *FileID*.
- You must use this instruction to close any file that is opened with the FileOpen instruction after you finish using it.

- When the operating mode of the CPU Unit is changed to PROGRAM mode or when a major fault level Controller error occurs, any open file is closed by the system. Any read or write operations in progress are continued up to the end.
- If a file is open when the power supply is stopped by pressing the SD Memory Card power supply switch, the file is not corrupted. The file, however, will remain open. Use the FileClose instruction to close the file.
- If a file is open and the SD Memory Card is removed before the SD Memory Card power supply switch is pressed, the contents of the file may be corrupted. Always turn OFF the power supply before removing the SD Memory Card.
- If a file is open and the SD Memory Card is removed before the SD Memory Card power supply switch is pressed, the file will remain open. Use the FileClose instruction to close the file.
- If a file is open when the power supply is stopped or the SD Memory Card is removed, the file will remain open, but it will not be possible to read or write the file even if the SD Memory Card is inserted again. To read or write the file, close the file and then open it again.
- Do not simultaneously access the same file. Perform exclusive control of SD Memory Card instructions in the user program.
- An error will occur in the following cases. *Error* will change to TRUE.
  - a) The SD Memory Card is not in a usable condition.
  - b) The file specified by *FileID* does not exist.
  - c) The file specified by *FileID* is already closed.
  - d) The file specified by *FileID* is being accessed.
  - e) While the SD Memory Card is being accessed, an error occurs and causes an access failure.

### Sample Programming

Refer to *Sample Programming* on page 2-1515 for the FileRead instruction, *Sample Programming* on page 2-1523 for the FileWrite instruction, *Sample Programming* on page 2-1530 for the FileGets instruction, and *Sample Programming* on page 2-1538 for the FilePuts instruction.

# FileSeek

The FileSeek instruction sets a file position indicator in the specified file in the SD Memory Card.

Instruction	Name	FB/ FUN	Graphic expression	ST expression
FileSeek	Seek File	FB	<pre> FileSeek_instance ├── FileSeek │   ├── Execute │   ├── Done │   ├── FileID │   ├── Busy │   ├── Offset │   ├── Error │   ├── Origin │   └── ErrorID </pre>	FileSeek_instance(Execute, FileID, Offset, Origin, Done, Busy, Error, ErrorID);

## Variables

	Meaning	I/O	Description	Valid range	Unit	Default
FileID	File ID	Input	ID of file in which to set file position indicator	Depends on data type.	---	0
Offset	Offset		Offset from <i>Origin</i>		Bytes	
Origin	Reference position		Reference position for file position indicator	_SEEK_SET, _SEEK_CUR, or _SEEK_END	---	_SEEK_SET

	Boo lean	Bit strings					Integers							Real num bers		Times, durations, dates, and text strings				
	BOOL	BYTE	WORD	DWORD	LWORD	USINT	UINT	UDINT	ULINT	SINT	INT	DINT	LINT	REAL	LREAL	TIME	DATE	TOD	DT	STRING
FileID				OK																
Offset												OK								
Origin	Refer to <i>Function</i> on page 2-1509 for the enumerators for the enumerated type <code>_eFSEEK_ORIGIN</code> .																			

## Function

The FileSeek instruction sets a file position indicator in the file specified by file ID *FileID* in the SD Memory Card.

A file position indicator is the position in a file at which to start reading or writing when an instruction such as the FileRead or FileWrite instruction is executed.

For example, to read from the beginning of a file, set a file position indicator at the beginning of the file with the FileSeek instruction, and then execute the FileRead instruction.

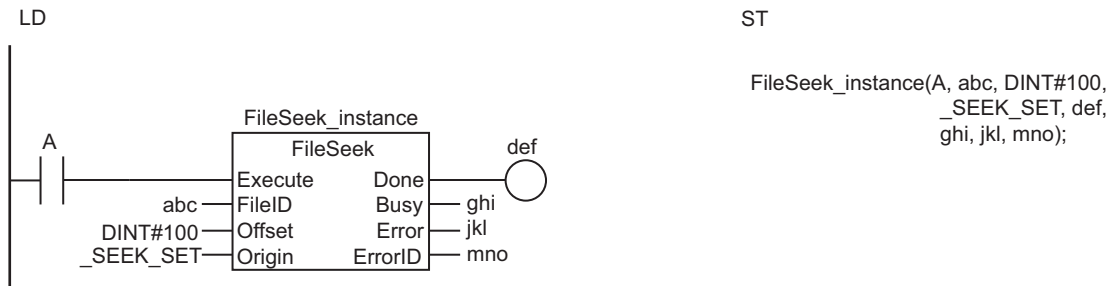
The file position indicator is set at offset *Offset* from reference position *Origin*.

The data type of *Origin* is enumerated type `_eFSEEK_ORIGIN`. The meanings of the enumerators are as follows:

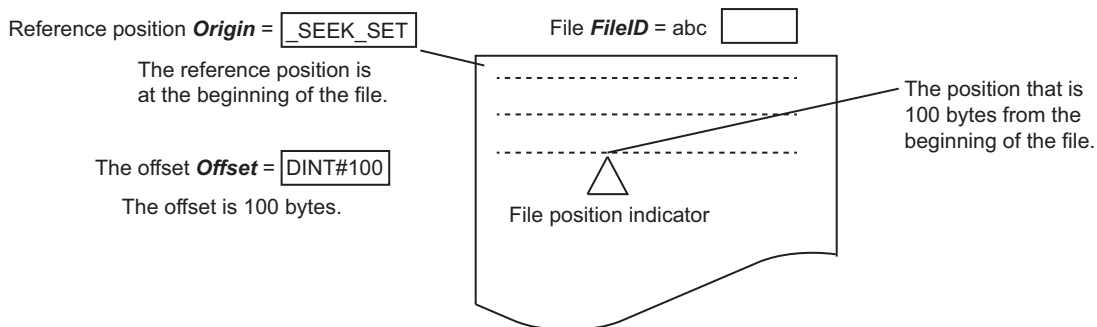
Enumerator	Meaning
<code>_SEEK_SET</code>	Beginning of file
<code>_SEEK_CUR</code>	Location of current file position indicator

Enumerator	Meaning
_SEEK_END	End of file

The following figure shows a programming example. A file position indicator is set at 100 bytes from the beginning of the file.



The FileSeek instruction sets a file position indicator in the file specified by **FileID** in the SD Memory Card. The file position indicator is at the position that is **Offset** from the beginning of the file.



### Related System-defined Variables

Name	Meaning	Data type	Description
_Card1Ready	SD Memory Card Ready Flag	BOOL	This flag indicates if the SD Memory Card can be accessed by instructions and communications commands. *1 TRUE: Can be used. FALSE: Cannot be used.
_Card1Protect	SD Memory Card Write Protected Flag	BOOL	This flag indicates if the SD Memory Card is write protected when it is inserted and ready to use. TRUE: Write protected. FALSE: Not write protected.
_Card1Err	SD Memory Card Error Flag	BOOL	This flag indicates if an SD Memory Card that cannot be used is mounted or if a format error occurs. TRUE: Error. FALSE: No error.
_Card1Access	SD Memory Card Access Flag	BOOL	This flag indicates if the SD Memory Card is currently being accessed. TRUE: Being accessed. FALSE: Not being accessed.



Name	Meaning	Data type	Description
_Card1PowerFail	SD Memory Card Power Interruption Flag	BOOL	This flag indicates if an error occurred in completing processing when power was interrupted during access.* <sup>2</sup> This flag is not cleared automatically. TRUE: Error. FALSE: No error.

\*1. It is a precondition that the SD Memory Card is physically inserted and mounted normally.

\*2. This indicates an access to the SD Memory Card.

## Precautions for Correct Use

- Execution of this instruction is continued until completed even when the value of *Execute* changes to FALSE or the execution time exceeds the task period. The value of *Done* changes to TRUE when the execution is completed. Use this to confirm normal completion of processing.
- Refer to *Using this Section* on page 2-3 for a timing chart of *Execute*, *Done*, *Busy*, and *Error*.
- You need to use the FileOpen instruction to obtain the value of *FileID* before you execute this instruction.
- If you specify **\_WRITE\_APPEND** or **\_RDWR\_APPEND** for *Mode* and execute the FileOpen instruction to append data to a file, the data is always appended to the end of the file.  
If you specify **\_RDWR\_APPEND** for *Mode* to execute the FileOpen instruction, the file position indicator set by the FileSeek instruction will be used only for reading data.
- Do not simultaneously access the same file. Perform exclusive control of SD Memory Card instructions in the user program.
- An error will occur in the following cases. *Error* will change to TRUE.
  - a) The SD Memory Card is not in a usable condition.
  - b) The value of *Origin* is outside the valid range.
  - c) The position specified by *Origin* and *Offset* exceeds the file size.
  - d) The file specified by *FileID* does not exist.
  - e) The file specified by *FileID* is being accessed.
  - f) While the SD Memory Card is being accessed, an error occurs and causes an access failure.

## Sample Programming

Refer to *Sample Programming* on page 2-1515 for the FileRead instruction, and *Sample Programming* on page 2-1523 for the FileWrite instruction.

# FileRead

The FileRead instruction reads the data from the specified file in the SD Memory Card.

Instruction	Name	FB/ FUN	Graphic expression	ST expression
FileRead	Read File	FB		FileRead_instance(Execute, FileID, ReadBuf, Size, Done, Busy, Error, ErrorID, ReadSize, EOF);

## Variables

	Meaning	I/O	Description	Valid range	Unit	Default
FileID	File ID	Input	ID of file to read	Depends on data type.	---	0
Size	Number of elements to read		Number of elements to read			1
ReadBuf[] (array)	Read buffer	In-out	Buffer in which to write data that was read	Depends on data type.	---	---
ReadSize	Number of read elements	Output	Number of elements that were actually read	Depends on data type.	---	---
EOF	End of file		Whether end of file was reached TRUE: Reached. FALSE: Not reached.			

	Boo lean	Bit strings					Integers							Real num bers		Times, durations, dates, and text strings				
	BOOL	BYTE	WORD	DWORD	LWORD	USINT	UINT	UDINT	ULINT	SINT	INT	DINT	LINT	REAL	LREAL	TIME	DATE	TOD	DT	STRING
FileID				OK																
Size							OK													
ReadBuf[] (array)	OK	OK	OK	OK	OK	OK	OK	OK	OK	OK	OK	OK	OK	OK	OK	OK	OK	OK	OK	OK
	Arrays enumerations or structures can also be specified.																			
ReadSize							OK													
EOF	OK																			

## Function

The FileRead instruction reads the data from position of the file position indicator in the file specified by file ID *FileID* in the SD Memory Card. It then stores the data in read buffer *ReadBuf[]*.

The file position indicator is set at the desired location in advance with the FileSeek instruction.

The amount of data to read is *Size* times the size of the *ReadBuf[]* data type. In other words, it is *Size* elements of *ReadBuf[]*.

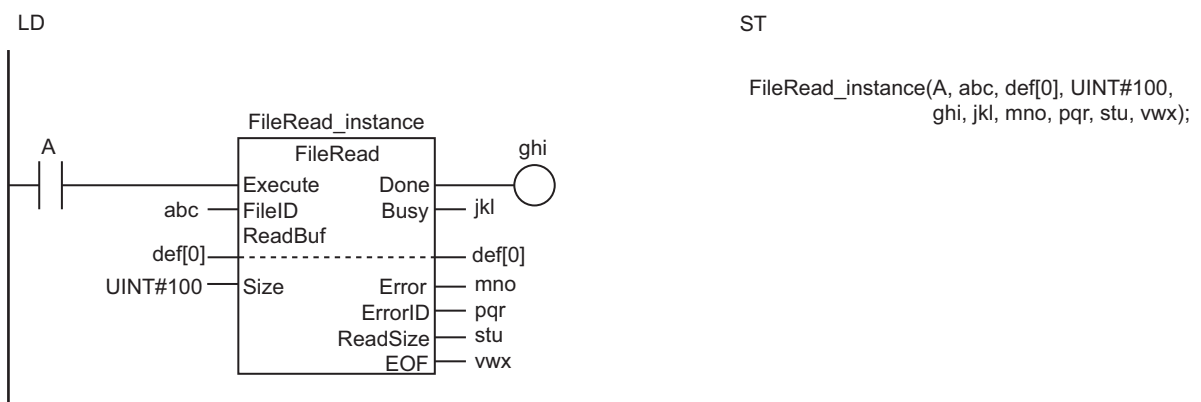
You can specify an array of enumerations or structures for *ReadBuf[]*.

The actual number of elements that were read is stored in *ReadSize*. Normally, *Size* and *ReadSize* will have the same values. If the amount of data from the file position indicator to the end of the file is smaller than *Size*, an error will not occur, and the data to the end of the file is stored in *ReadBuf[]*. In this case, the value of *ReadSize* will be smaller than the value of *Size*.

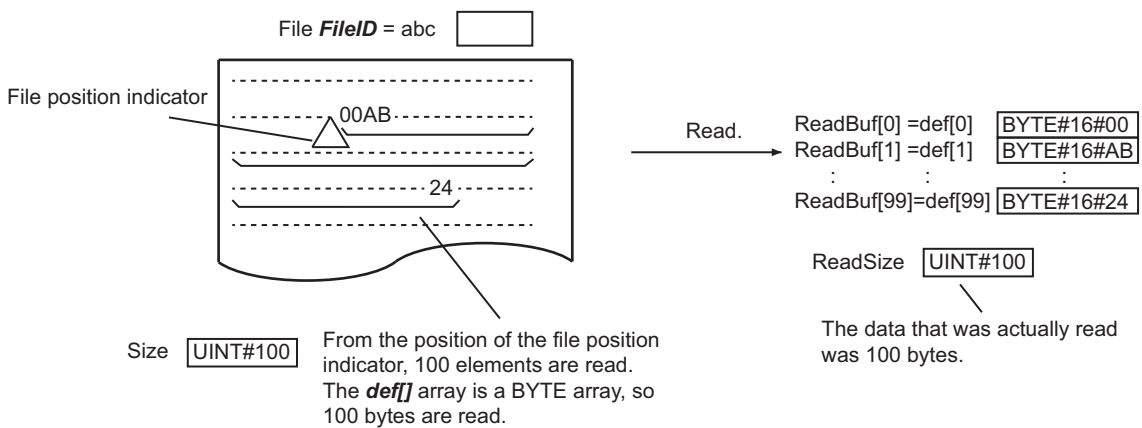
If data is read to the end of the file, end of file *EOF* changes to TRUE. Otherwise, the value of *EOF* will be FALSE.

The file position indicator advances by the amount of data read.

The following figure shows a programming example. If the read buffer *def[]* is a BYTE array, 100 bytes of data is read from the file.



The FileRead instruction reads **Size** elements from the position of the file position indicator in the file specified by **FileID** in the SD Memory Card. It then stores the data in read buffer **ReadBuf[]**. The actual data size that was read is output to **ReadSize**.



### Related System-defined Variables

Name	Meaning	Data type	Description
_Card1Ready	SD Memory Card Ready Flag	BOOL	This flag indicates if the SD Memory Card can be accessed by instructions and communications commands. *1 TRUE: Can be used. FALSE: Cannot be used.

Name	Meaning	Data type	Description
_Card1Protect	SD Memory Card Write Protected Flag	BOOL	This flag indicates if the SD Memory Card is write protected when it is inserted and ready to use. TRUE: Write protected. FALSE: Not write protected.
_Card1Err	SD Memory Card Error Flag	BOOL	This flag indicates if an SD Memory Card that cannot be used is mounted or if a format error occurs. TRUE: Error. FALSE: No error.
_Card1Access	SD Memory Card Access Flag	BOOL	This flag indicates if the SD Memory Card is currently being accessed. TRUE: Being accessed. FALSE: Not being accessed.
_Card1PowerFail	SD Memory Card Power Interruption Flag	BOOL	This flag indicates if an error occurred in completing processing when power was interrupted during access.* <sup>2</sup> This flag is not cleared automatically. TRUE: Error. FALSE: No error.

\*1. It is a precondition that the SD Memory Card is physically inserted and mounted normally.

\*2. This indicates an access to the SD Memory Card.

## Precautions for Correct Use

- Execution of this instruction is continued until completed even when the value of *Execute* changes to FALSE or the execution time exceeds the task period. The value of *Done* changes to TRUE when the execution is completed. Use this to confirm normal completion of processing.
- Refer to *Using this Section* on page 2-3 for a timing chart of *Execute*, *Done*, *Busy*, and *Error*.
- The entire data to read in the instruction is not retained.  
The concurrency of the value may not be maintained because the value is not synchronized with the execution timing of the instruction and the variable to pass to `ReadBuf[]` is refreshed each time.  
Do not access to the target variable during instruction execution.  
If the variable is accessed during instruction execution, a value that is different from the value read from a file may be stored in the variable.
- If the data is read to the end of the file and the size of the data is not evenly divisible by the size of the data type of `ReadBuf[]`, the data that is insufficient for the data size of `ReadBuf[]` is discarded. The file position indicator advances to the end of the file, and the value of *EOF* changes to TRUE.
- Elements beyond *Size* times `ReadBuf[]` (i.e., the elements not overwritten when data is read) will retain the values from before execution of this instruction.
- You need to use the `FileOpen` instruction to obtain the value of *FileID* before you execute this instruction.
- Data is read in byte increments. The lower bytes are read before the upper bytes (little endian).
- A value is stored in *EOF* when the instruction is completed. Specifically, it is stored when the value of *Done* changes from FALSE to TRUE.
- If `ReadBuf[]` is an array of structures, adjustment areas between members may be inserted depending on the composition.
- If the operating mode of the CPU Unit is changed to PROGRAM mode or if a major fault level Controller error occurs during instruction execution, the file is closed by the system. Any read or write operations in progress are continued up to the end.

- Do not simultaneously access the same file. Perform exclusive control of SD Memory Card instructions in the user program.
- You cannot specify a device variable for ReadBuf[]. If you specify a device variable, the data that was read is not assigned to ReadBuf[].
- An error will occur in the following cases. *Error* will change to TRUE.
  - a) The SD Memory Card is not in a usable condition.
  - b) The number of array elements in ReadBuf[] is smaller than the value of *Size*.
  - c) The file specified by *FileID* does not exist.
  - d) The file specified by *FileID* is being accessed.
  - e) The file specified by *FileID* was not opened in a reading mode.
  - f) While the SD Memory Card is being accessed, an error occurs and causes an access failure.

## Sample Programming

In this sample, four bytes of data are read from the second byte from beginning of the file named 'ABC.bin.' The data is written to BYTE array variable InDat[].

The processing procedure is as follows:

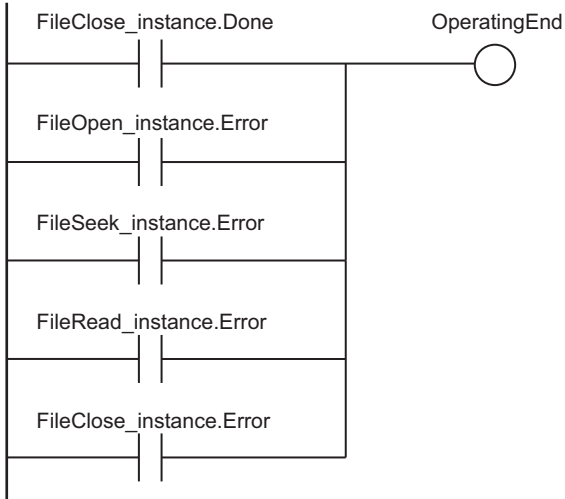
- 1** The FileOpen instruction is used to open the file 'ABC.bin.'
- 2** The FileSeek instruction is used to set a file position indicator at the second byte from the beginning of the file.
- 3** The FileRead instruction is used to read four bytes of data from the position of the file position indicator and store it in array variable InDat[].
- 4** The FileClose instruction is used to close the file 'ABC.bin.'

## LD

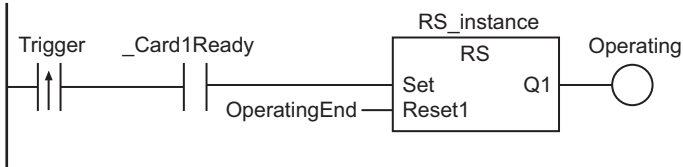
Internal Variables	Variable	Data type	Initial value	Comment
	OperatingEnd	BOOL	FALSE	Processing completed.
	Trigger	BOOL	FALSE	Execution condition
	Operating	BOOL	FALSE	Processing
	Fid	DWORD	16#0	File ID
	InDat	ARRAY[0..999] OF BYTE	[1000(16#0)]	Read data
	RS_instance	RS		
	FileOpen_instance	FileOpen		
	FileSeek_instance	FileSeek		
	FileRead_instance	FileRead		
	FileClose_instance	FileClose		

External Variables	Variable	Data type	Comment
	_Card1Ready	BOOL	SD Memory Card Ready Flag

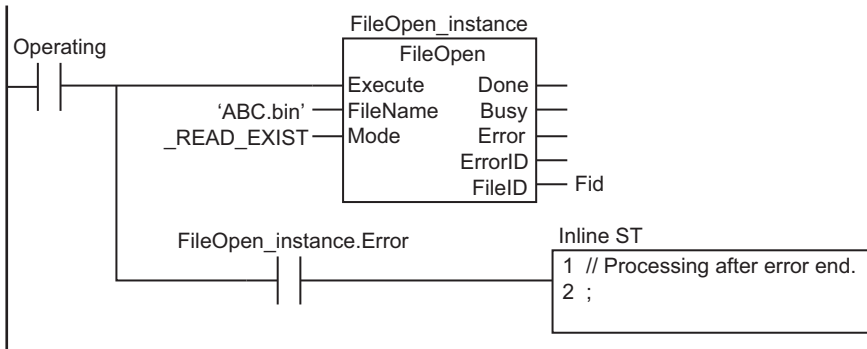
Determine if instruction execution is completed.



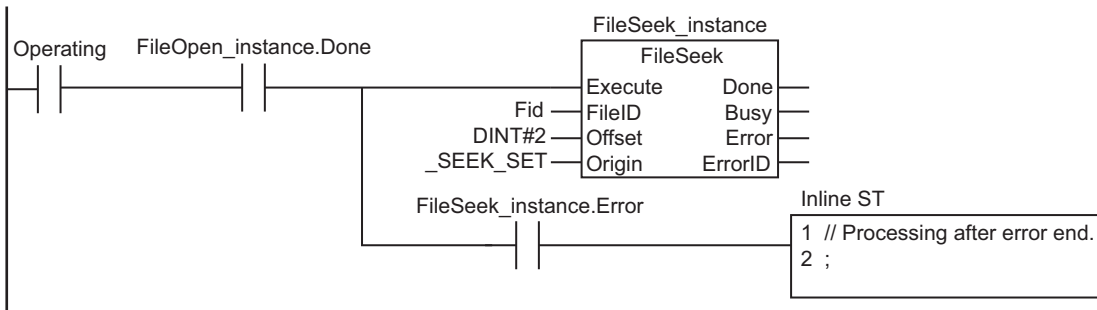
Accept trigger.



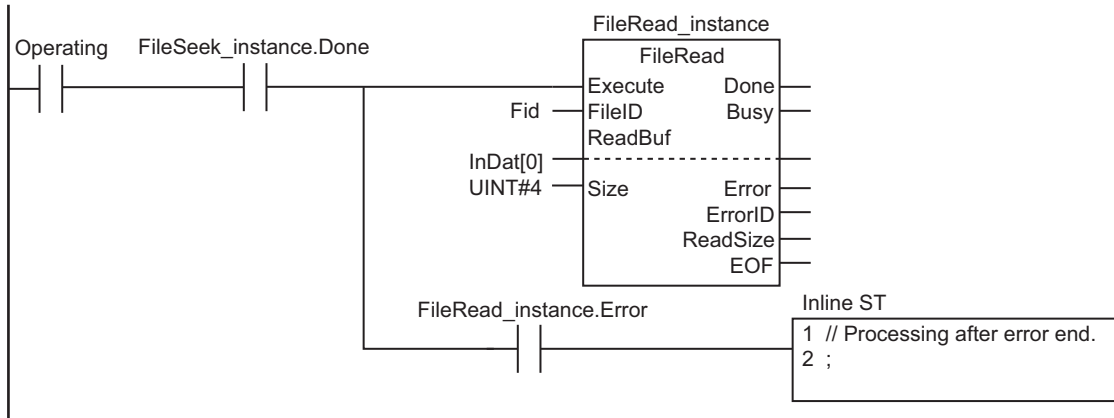
Execute FileOpen instruction.



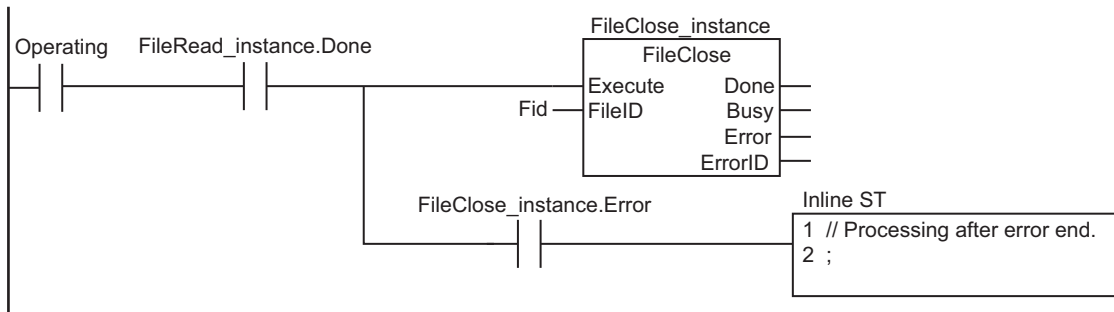
Execute FileSeek instruction.



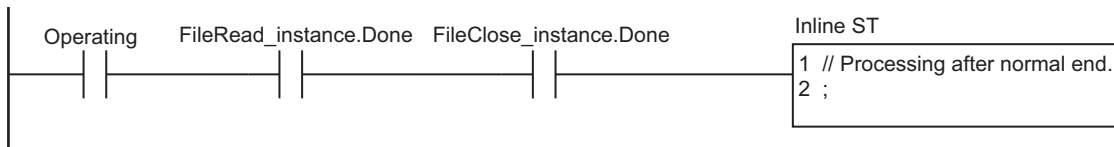
Execute FileRead instruction.



Execute FileClose instruction.



Processing after normal end.



**ST**

Internal Variables	Variable	Data type	Initial value	Comment
	Trigger	BOOL	FALSE	Execution condition
	LastTrigger	BOOL	FALSE	Value of Trigger from previous task period
	OperatingStart	BOOL	FALSE	Processing started.
	Operating	BOOL	FALSE	Processing
	InDat	ARRAY[0..999] OF BYTE	[1000(16#0)]	Read data
	Stage	INT	0	Stage change
	Fid	DWORD	16#0	File ID
	FileOpen_instance	FileOpen		
	FileSeek_instance	FileSeek		
	FileRead_instance	FileRead		
	FileClose_instance	FileClose		

External Variables	Variable	Data type	Comment
	_Card1Ready	BOOL	SD Memory Card Ready Flag

```

// Start sequence when Trigger changes to TRUE.
IF ( (Trigger=TRUE) AND (LastTrigger=FALSE) AND (_Card1Ready=TRUE) ) THEN
    OperatingStart:=TRUE;
    Operating      :=TRUE;
END_IF;
LastTrigger:=Trigger;

// Initialize instance.
IF (OperatingStart=TRUE) THEN
    FileOpen_instance(Execute:=FALSE);    // Initialize instance.
    FileSeek_instance(Execute:=FALSE);    // Initialize instance.
    FileRead_instance(
        Execute:=FALSE,                  // Initialize instance.
        ReadBuf:=InDat[0]);              // Dummy
    FileClose_instance(Execute:=FALSE);   // Initialize instance.
    Stage          :=INT#1;
    OperatingStart:=FALSE;
END_IF;

// Execute instructions.
IF (Operating=TRUE) THEN
    CASE Stage OF
    1 :                                // Open file.
        FileOpen_instance(
            Execute :=TRUE,
            FileName:='ABC.bin',        // File name
            Mode     :=_READ_EXIST,     // Read file.
            FileID   =>Fid);            // File ID

        IF (FileOpen_instance.Done=TRUE) THEN
            Stage:=INT#2;                // Normal end
        END_IF;

        IF (FileOpen_instance.Error=TRUE) THEN
            Stage:=INT#99;                // Error end
        END_IF;
    2 :                                // Seek file.
        FileSeek_instance(
            Execute:=TRUE,
            FileID :=Fid,                 // File ID
            Offset :=DINT#2,              // File position indicator goes to second byte from the beginning.
            Origin :=_SEEK_SET);          //

```



```

IF (FileSeek_instance.Done=TRUE) THEN
    Stage:=INT#3;                // Normal end
END_IF;

IF (FileSeek_instance.Error=TRUE) THEN
    Stage:=INT#99;              // Error end
END_IF;

3 :                               // Read file.
FileRead_instance(
    Execute:=TRUE,
    FileID :=Fid,                // File ID
    ReadBuf:=InDat[0],          // Read buffer
    Size   :=UINT#4);           // Number of elements to read: 4 bytes

IF (FileRead_instance.Done=TRUE) THEN
    Stage:=INT#4;                // Normal end
END_IF;

IF (FileRead_instance.Error=TRUE) THEN
    Stage:=INT#99;              // Error end
END_IF;

4 :                               // Close file.
FileClose_instance(
    Execute:=TRUE,
    FileID :=Fid);              // File ID

IF (FileClose_instance.Done=TRUE) THEN
    Operating:=FALSE;           // Normal end
END_IF;

IF (FileClose_instance.Error=TRUE) THEN
    Stage:=INT#99;              // Error end
END_IF;

99 :
    Operating:=FALSE;           // Processing after error end.
END_CASE;
END_IF;

```

# FileWrite

The FileWrite instruction writes data to the specified file in the SD Memory Card.

Instruction	Name	FB/ FUN	Graphic expression	ST expression
FileWrite	Write File	FB		FileWrite_instance(Execute, FileID, WriteBuf, Size, Done, Busy, Error, ErrorID, WriteSize);

## Variables

	Meaning	I/O	Description	Valid range	Unit	Default
FileID	File ID	Input	ID of file to write	Depends on data type.	---	0
WriteBuf[] (array)	Write buffer		Write data			*1
Size	Number of elements to write		Number of elements to write			1
WriteSize	Number of written elements	Output	Number of elements that were actually written	Depends on data type.	---	---

\*1. If you omit the input parameter, the default value is not applied. A building error will occur.

	Boo lean	Bit strings				Integers								Real num- bers		Times, durations, dates, and text strings				
	BOOL	BYTE	WORD	DWORD	LWORD	USINT	UINT	UDINT	ULINT	SINT	INT	DINT	LINT	REAL	LREAL	TIME	DATE	TOD	DT	STRING
FileID				OK																
WriteBuf[] (array)	OK	OK	OK	OK	OK	OK	OK	OK	OK	OK	OK	OK	OK	OK	OK	OK	OK	OK	OK	OK
Size							OK													
WriteSize							OK													

## Function

The FileWrite instruction writes data to the position of the file position indicator in the file specified by file ID *FileID* in the SD Memory Card.

The file position indicator is set at the desired location in advance with the FileSeek instruction.

The contents of the write buffer WriteBuf[] is written to the file.

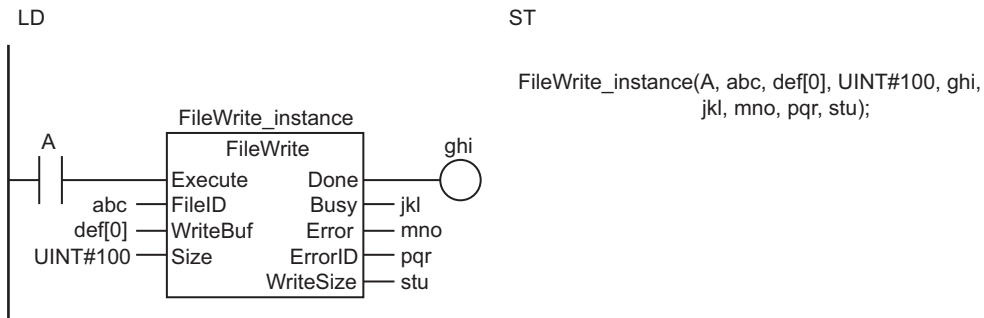
The amount of data to be written is the size of the data type of WriteBuf[] times Size. In other words, it is Size elements of WriteBuf[].

You can specify an array of enumerations or structures for WriteBuf[].

The data size that is actually written is output to WriteSize.

The file position indicator advances by the amount of data written.

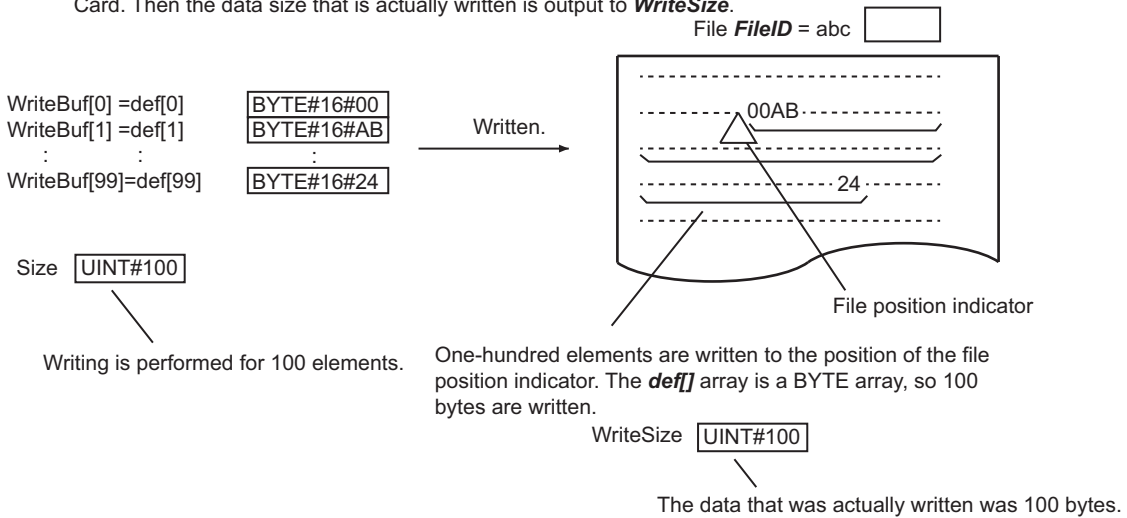
The following figure shows a programming example. If the write buffer `def[]` is BYTE data, 100 bytes of data is written to the file.



```

    ST
    FileWrite_instance(A, abc, def[0], UINT#100, ghi,
    jkl, mno, pqr, stu);
  
```

The FileWrite instruction writes the contents of the write buffer **WriteBuf[]** to the position of the file position indicator in the file specified by **FileID** in the SD Memory Card. Then the data size that is actually written is output to **WriteSize**.



### Related System-defined Variables

Name	Meaning	Data type	Description
<code>_Card1Ready</code>	SD Memory Card Ready Flag	BOOL	This flag indicates if the SD Memory Card can be accessed by instructions and communications commands. *1 TRUE: Can be used. FALSE: Cannot be used.
<code>_Card1Protect</code>	SD Memory Card Write Protected Flag	BOOL	This flag indicates if the SD Memory Card is write protected when it is inserted and ready to use. TRUE: Write protected. FALSE: Not write protected.
<code>_Card1Err</code>	SD Memory Card Error Flag	BOOL	This flag indicates if an SD Memory Card that cannot be used is mounted or if a format error occurs. TRUE: Error. FALSE: No error.

Name	Meaning	Data type	Description
_Card1Access	SD Memory Card Access Flag	BOOL	This flag indicates if the SD Memory Card is currently being accessed. TRUE: Being accessed. FALSE: Not being accessed.
_Card1PowerFail	SD Memory Card Power Interruption Flag	BOOL	This flag indicates if an error occurred in completing processing when power was interrupted during access.* <sup>2</sup> This flag is not cleared automatically. TRUE: Error. FALSE: No error.

\*1. It is a precondition that the SD Memory Card is physically inserted and mounted normally.

\*2. This indicates an access to the SD Memory Card.

## Precautions for Correct Use

- Execution of this instruction is continued until completed even when the value of *Execute* changes to FALSE or the execution time exceeds the task period. The value of *Done* changes to TRUE when the execution is completed. Use this to confirm normal completion of processing.
- Refer to *Using this Section* on page 2-3 for a timing chart of *Execute*, *Done*, *Busy*, and *Error*.
- The entire data to write in the instruction is not retained.  
The concurrency of the value may not be maintained because the value is not synchronized with the execution timing of the instruction and the variable to pass to WriteBuf[] is accessed each time.  
Do not access to the target variable during instruction execution.  
If the variable is accessed during instruction execution, an unintended value may be written in the file.
- You need to use the FileOpen instruction to obtain the value of *FileID* before you execute this instruction.
- Data is written in byte increments. The lower bytes are written before the upper bytes (little endian).
- If WriteBuf[] is an array of structures, adjustment areas between members may be inserted depending on the composition.
- If the operating mode of the CPU Unit is changed to PROGRAM mode or if a major fault level Controller error occurs during instruction execution, the file is closed by the system. Any read or write operations in progress are continued up to the end.
- Do not simultaneously access the same file. Perform exclusive control of SD Memory Card instructions in the user program.
- Even if the FileWrite (Write File) instruction is used to write the data to the SD Memory Card and the instruction ends normally, the data may not be written correctly to the SD Memory Card.  
If you want to confirm that the data was written correctly to the SD Memory Card, write the user program so that the written data is read with the FileRead (Read File) instruction and compared to the original data.
- An error will occur in the following cases. *Error* will change to TRUE.
  - a) The SD Memory Card is not in a usable condition.
  - b) The SD Memory Card is write protected.
  - c) There is insufficient space available on the SD Memory Card.
  - d) The number of array elements in WriteBuf[] is smaller than the value of *Size*.
  - e) The file specified by *FileID* does not exist.
  - f) The file specified by *FileID* is being accessed.

- g) The file specified by *FileID* was not opened in a writing mode.
- h) While the SD Memory Card is being accessed, an error occurs and causes an access failure.

## Sample Programming

Here, four bytes of data are written from the second byte from the beginning of the file 'ABC.bin.' The contents of the BYTE array variable OutDat[] is written to the file.

The processing procedure is as follows:

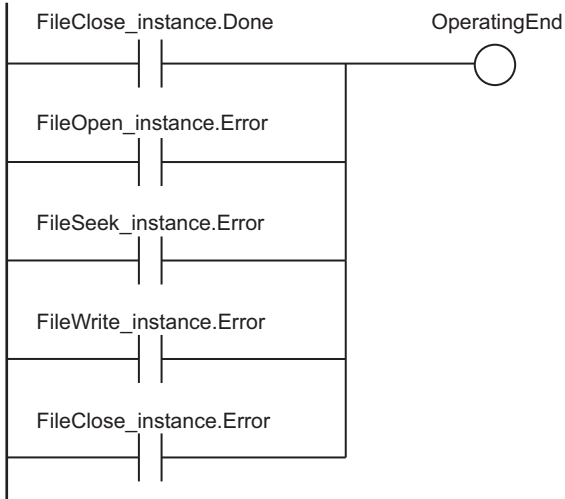
- 1** The FileOpen instruction is used to open the file 'ABC.bin.'
- 2** The FileSeek instruction is used to set a file position indicator at the second byte from the beginning of the file.
- 3** The FileWrite instruction is used to write four bytes from array variable OutDat[] to the position of the file position indicator.
- 4** The FileClose instruction is used to close the file 'ABC.bin.'

## LD

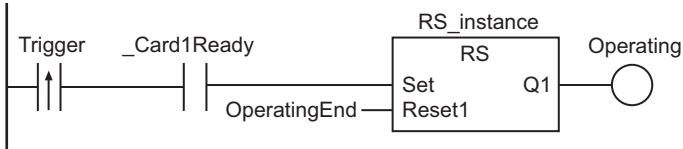
Internal Variables	Variable	Data type	Initial value	Comment
	OperatingEnd	BOOL	FALSE	Processing completed.
	Trigger	BOOL	FALSE	Execution condition
	Operating	BOOL	FALSE	Processing
	Fid	DWORD	16#0	File ID
	OutDat	ARRAY[0..999] OF BYTE	[1000(16#0)]	Write data
	RS_instance	RS		
	FileOpen_instance	FileOpen		
	FileSeek_instance	FileSeek		
	FileWrite_instance	FileWrite		
	FileClose_instance	FileClose		

External Variables	Variable	Data type	Comment
	_Card1Ready	BOOL	SD Memory Card Ready Flag

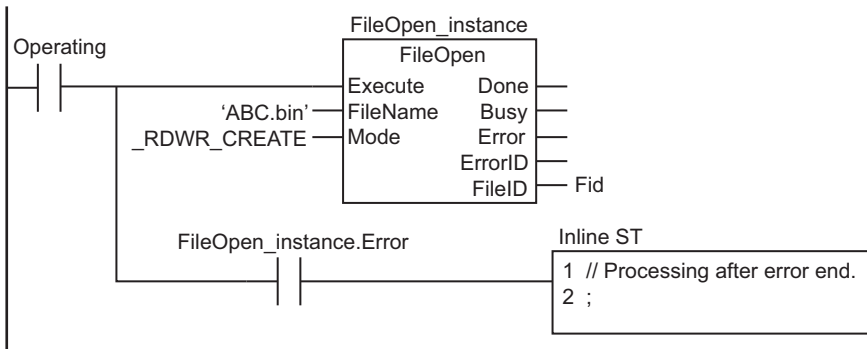
Determine if instruction execution is completed.



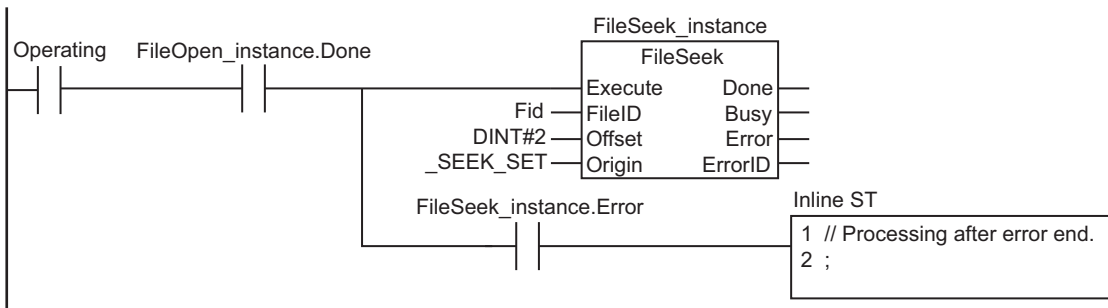
Accept trigger.



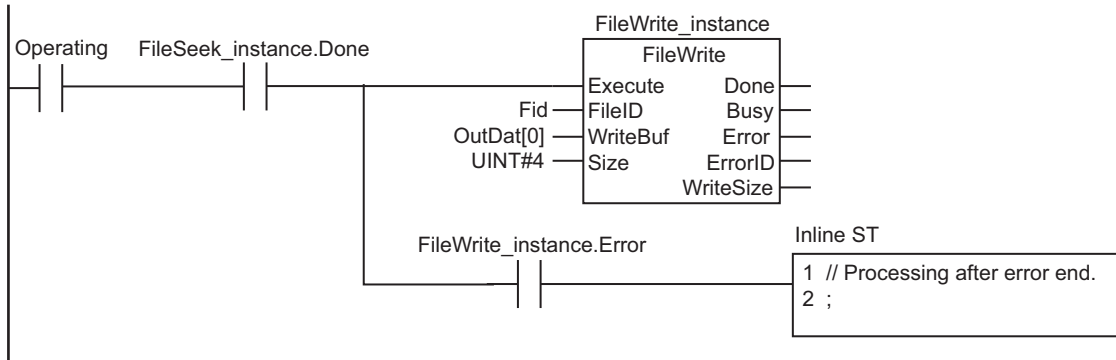
Execute FileOpen instruction.



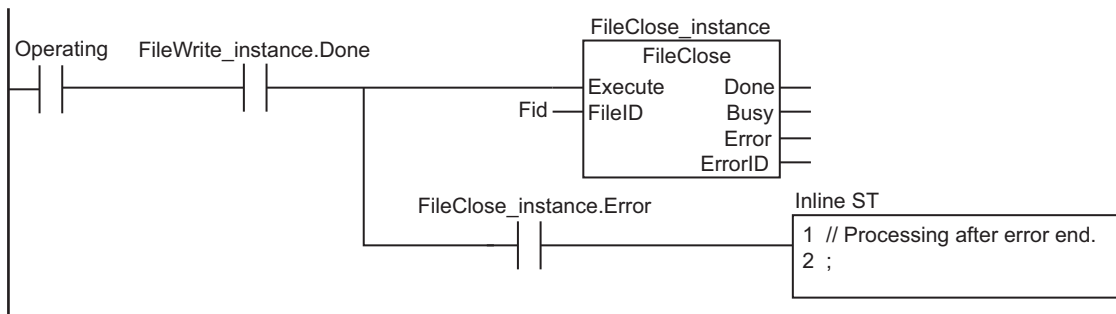
Execute FileSeek instruction.



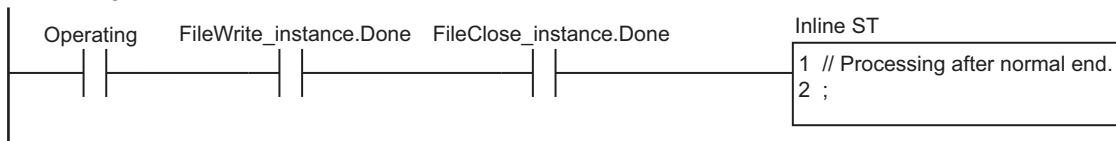
Execute FileWrite instruction.



Execute FileClose instruction.



Processing after normal end.



**ST**

Internal Variables	Variable	Data type	Initial value	Comment
	Trigger	BOOL	FALSE	Execution condition
	LastTrigger	BOOL	FALSE	Value of Trigger from previous task period
	OperatingStart	BOOL	FALSE	Processing started.
	Operating	BOOL	FALSE	Processing
	OutDat	ARRAY[0..999] OF BYTE	[1000(16#0)]	Write data
	Stage	INT	0	Stage change
	Fid	DWORD	16#0	File ID
	FileOpen_instance	FileOpen		
	FileSeek_instance	FileSeek		
	FileWrite_instance	FileWrite		
	FileClose_instance	FileClose		

External Variables	Variable	Data type	Comment
	_Card1Ready	BOOL	SD Memory Card Ready Flag

```

// Start sequence when Trigger changes to TRUE.
IF ( (Trigger=TRUE) AND (LastTrigger=FALSE) AND (_Card1Ready=TRUE) ) THEN
    OperatingStart:=TRUE;
    Operating      :=TRUE;
END_IF;
LastTrigger:=Trigger;

// Initialize instance.
IF (OperatingStart=TRUE) THEN
    FileOpen_instance(Execute:=FALSE);
    FileSeek_instance(Execute:=FALSE);
    FileWrite_instance(
        Execute :=FALSE,
        WriteBuf:=OutDat[0]);
    FileClose_instance(Execute:=FALSE);
    Stage          :=INT#1;
    OperatingStart:=FALSE;
END_IF;

// Execute instructions.
IF (Operating=TRUE) THEN
    CASE Stage OF
    1 :                               // Open file.
        FileOpen_instance(
            Execute :=TRUE,
            FileName:='ABC.bin',      // File name
            Mode     :=_RDWR_CREATE,  // Read file and write.
            FileID   =>Fid);          // File ID

        IF (FileOpen_instance.Done=TRUE) THEN
            Stage:=INT#2;             // Normal end
        END_IF;

        IF (FileOpen_instance.Error=TRUE) THEN
            Stage:=INT#99;            // Error end
        END_IF;
    2 :                               // Seek file.
        FileSeek_instance(
            Execute:=TRUE,
            FileID :=Fid,              // File ID
            Offset :=DINT#2,          // File position indicator goes to second byte
            Origin :=_SEEK_SET);      //
    te from the beginning.

```



```

IF (FileSeek_instance.Done=TRUE) THEN
    Stage:=INT#3;          // Normal end
END_IF;

IF (FileSeek_instance.Error=TRUE) THEN
    Stage:=INT#99;        // Error end
END_IF;

3 :                          // Write file.
FileWrite_instance(
    Execute :=TRUE,
    FileID  :=Fid,          // File ID
    WriteBuf:=OutDat[0],    // Write buffer
    Size    :=UINT#4);      // Number of elements to write: 4 bytes

IF (FileWrite_instance.Done=TRUE) THEN
    Stage:=INT#4;          // Normal end
END_IF;

IF (FileWrite_instance.Error=TRUE) THEN
    Stage:=INT#99;        // Error end
END_IF;

4 :                          // Close file.
FileClose_instance(
    Execute:=TRUE,
    FileID :=Fid);         // File ID

IF (FileClose_instance.Done=TRUE) THEN
    Operating:=FALSE;     // Normal end
END_IF;

IF (FileClose_instance.Error=TRUE) THEN
    Stage:=INT#99;        // Error end
END_IF;

99 :
    Operating:=FALSE;     // Processing after error end.
END_CASE;
END_IF;

```

# FileGets

The FileGets instruction reads a text string of one line from the specified file in the SD Memory Card.

Instruction	Name	FB/ FUN	Graphic expression	ST expression
FileGets	Get Text String	FB	<pre> graph LR     subgraph FileGets_instance         subgraph FileGets             Execute             FileID             TrimLF             Done             Busy             Error             ErrorID             Out             EOF         end     end </pre>	FileGets_instance(Execute, FileID, TrimLF, Done, Busy, Error, ErrorID, Out, EOF);

## Variables

	Meaning	I/O	Description	Valid range	Unit	Default
FileID	File ID	Input	ID of file to read	Depends on data type.	---	0
TrimLF	Line feed designation		Handling of the line feed code of text string that was read TRUE: Delete. FALSE: Do not delete.			FALSE
Out	Read text string	Output	Text string that was read	Depends on data type.	---	---
EOF	End of file		Whether end of file was reached TRUE: Reached. FALSE: Not reached.			

	Boo lean	Bit strings				Integers								Real num bers		Times, durations, dates, and text strings				
	BOOL	BYTE	WORD	DWORD	LWORD	USINT	UINT	UDINT	ULINT	SINT	INT	DINT	LINT	REAL	LREAL	TIME	DATE	TOD	DT	STRING
FileID				OK																
TrimLF	OK																			
Out																				OK
EOF	OK																			

## Function

The FileGets instruction reads a text string of one line from the position of the file position indicator in the file specified by file ID *FileID* in the SD Memory Card.

The file position indicator is set at the desired location in advance with the FileSeek instruction.

Line endings are determined by a line feed code.

The text string that is read is written to read text string *Out*.

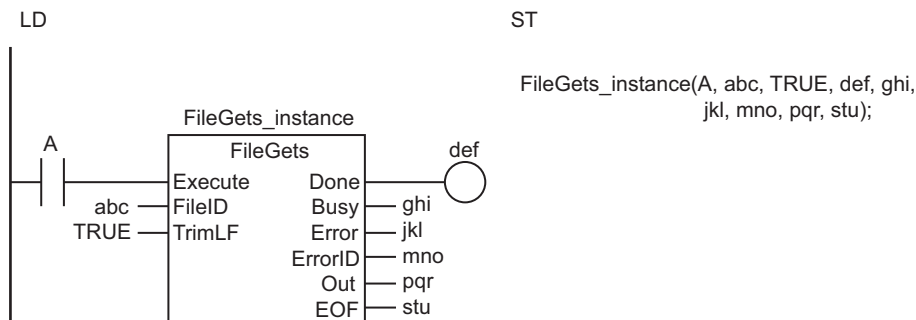
The following three line feeds are automatically detected: CR, LF, and CR+LF.

If line feed designation *TrimLF* is TRUE, the line feed code is deleted from the text string before it is written to *Out*.

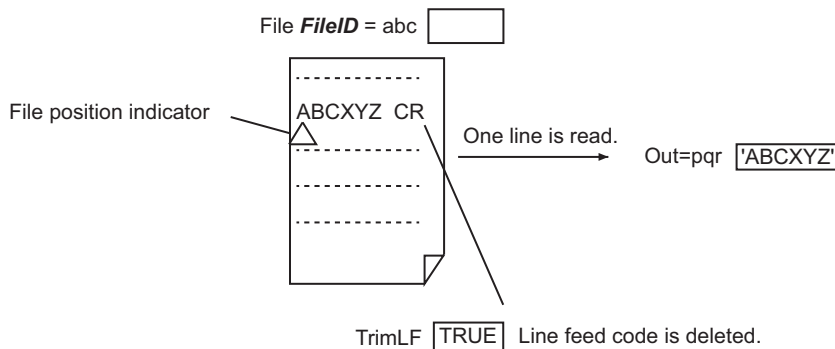
If data is read to the end of the file, end of file *EOF* changes to TRUE. Otherwise, the value of *EOF* will be FALSE.

The file position indicator advances by the amount of data read.

The following figure shows a programming example. Here, a text string of one line is read from a file, the line feed code is deleted, and the result is written to *pqr*.



The FileGets instruction reads a text string of one line from the position of the file position indicator in the file specified by *FileID* in the SD Memory Card and stores it in the read text string *Out*. The line feed code is deleted.



## Related System-defined Variables

Name	Meaning	Data type	Description
_Card1Ready	SD Memory Card Ready Flag	BOOL	This flag indicates if the SD Memory Card can be accessed by instructions and communications commands. *1 TRUE: Can be used. FALSE: Cannot be used.
_Card1Protect	SD Memory Card Write Protected Flag	BOOL	This flag indicates if the SD Memory Card is write protected when it is inserted and ready to use. TRUE: Write protected. FALSE: Not write protected.
_Card1Err	SD Memory Card Error Flag	BOOL	This flag indicates if an SD Memory Card that cannot be used is mounted or if a format error occurs. TRUE: Error. FALSE: No error.

Name	Meaning	Data type	Description
_Card1Access	SD Memory Card Access Flag	BOOL	This flag indicates if the SD Memory Card is currently being accessed. TRUE: Being accessed. FALSE: Not being accessed.
_Card1PowerFail	SD Memory Card Power Interruption Flag	BOOL	This flag indicates if an error occurred in completing processing when power was interrupted during access.* <sup>2</sup> This flag is not cleared automatically. TRUE: Error. FALSE: No error.

\*1. It is a precondition that the SD Memory Card is physically inserted and mounted normally.

\*2. This indicates an access to the SD Memory Card.

## Precautions for Correct Use

- Execution of this instruction is continued until completed even when the value of *Execute* changes to FALSE or the execution time exceeds the task period. The value of *Done* changes to TRUE when the execution is completed. Use this to confirm normal completion of processing.
- Refer to *Using this Section* on page 2-3 for a timing chart of *Execute*, *Done*, *Busy*, and *Error*.
- If the length of the one-line text string exceeds 1,986 bytes (with UTF-8 character codes, including the final NULL character), the first 1,985 bytes of the text string are stored in *Out* with a NULL character attached.
- You need to use the *FileOpen* instruction to obtain the value of *FileID* before you execute this instruction.
- If the operating mode of the CPU Unit is changed to PROGRAM mode or if a major fault level Controller error occurs during instruction execution, the file is closed by the system. Any read or write operations in progress are continued up to the end.
- Do not simultaneously access the same file. Perform exclusive control of SD Memory Card instructions in the user program.
- An error will occur in the following cases. *Error* will change to TRUE.
  - a) The SD Memory Card is not in a usable condition.
  - b) The file specified by *FileID* does not exist.
  - c) The file specified by *FileID* is being accessed.
  - d) The file specified by *FileID* was not opened in a reading mode.
  - e) While the SD Memory Card is being accessed, an error occurs and causes an access failure.

## Sample Programming

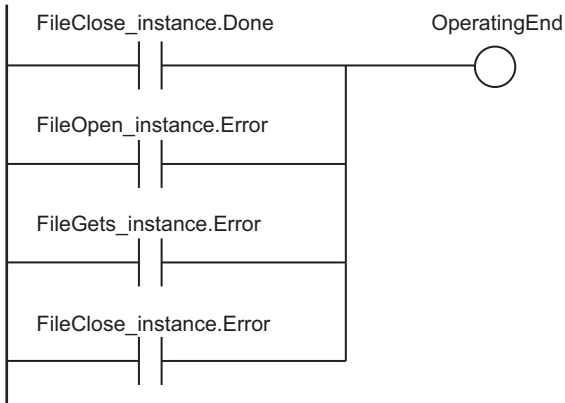
Here, multiple text strings that are separated by CR codes are stored in a file named 'ABC.csv.' All of them are text strings of numbers.

One line at a time is read from the file, the text strings are converted to integers, and the results are stored in INT array variable *InDat*[].

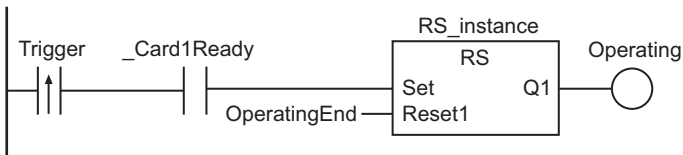
Processing is ended when all of the data to the end of the file is read. It is assumed that this sample programming is in a periodic task.



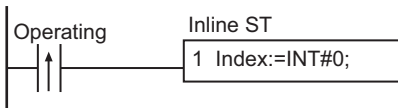
Determine if instruction execution is completed.



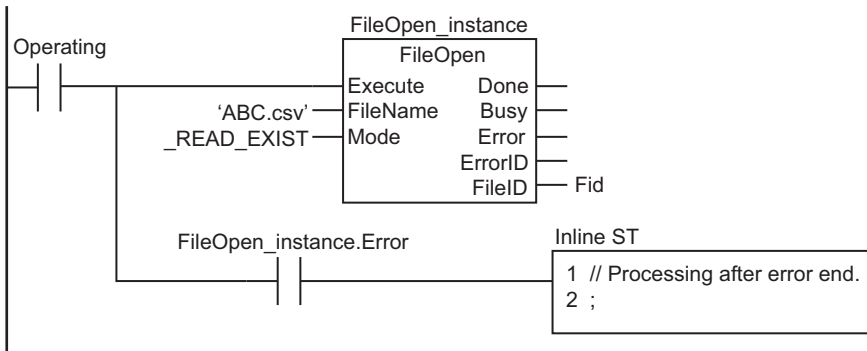
Accept trigger.



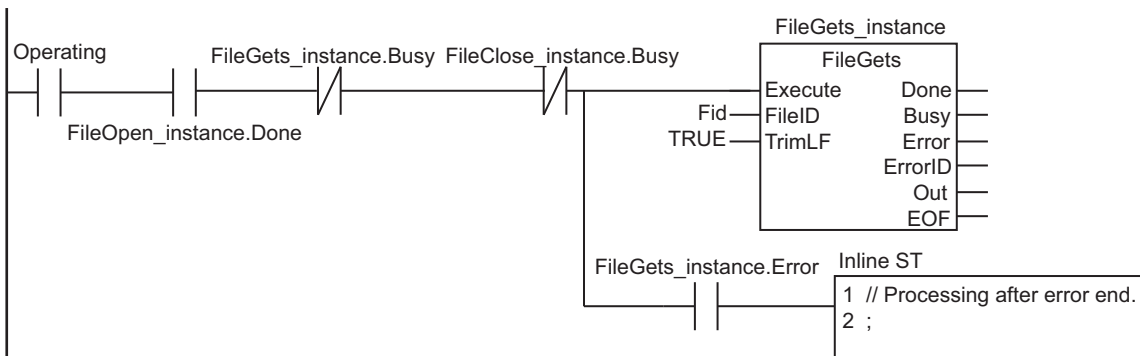
Initialize *InDat[]* element index.



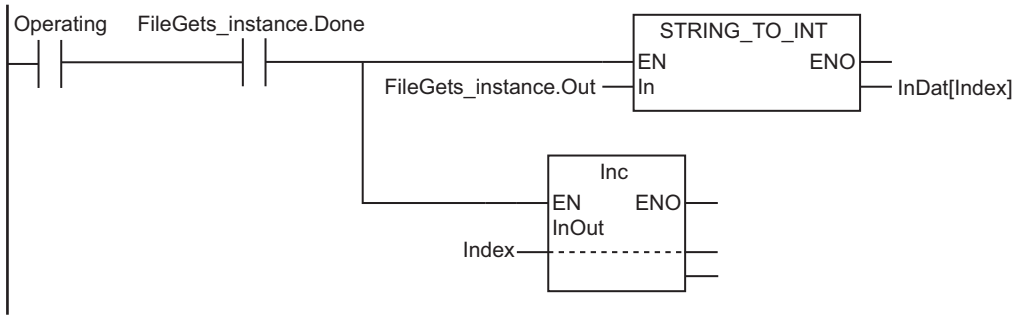
Execute FileOpen instruction.



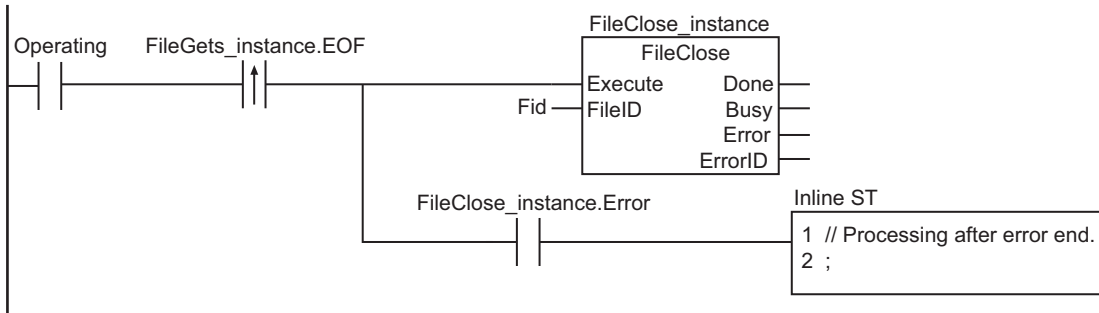
Execute FileGets instruction.



Execute STRING\_TO\_INT instruction.



Execute FileClose when EOF is detected.



Processing after normal end.



**ST**

Internal Variables	Variable	Data type	Initial value	Comment
	Trigger	BOOL	FALSE	Execution condition
	LastTrigger	BOOL	FALSE	Value of Trigger from previous task period
	OperatingStart	BOOL	FALSE	Processing started.
	Operating	BOOL	FALSE	Processing
	InDat	ARRAY[0..999] OF INT	[1000(0)]	Integer data
	Stage	INT	0	Stage change
	Index	INT	0	InDat[] element index
	Fid	DWORD	16#0	File ID
	FileOpen_instance	FileOpen		
	FileGets_instance	FileGets		
	FileClose_instance	FileClose		

External Variables	Variable	Data type	Comment
	_Card1Ready	BOOL	SD Memory Card Ready Flag

```

// Start sequence when Trigger changes to TRUE.
IF ( (Trigger=TRUE) AND (LastTrigger=FALSE) AND (_Card1Ready=TRUE) ) THEN
    OperatingStart:=TRUE;
    Operating      :=TRUE;
END_IF;
LastTrigger:=Trigger;

// Initialize instance.
IF (OperatingStart=TRUE) THEN
    FileOpen_instance(Execute:=FALSE);
    FileGets_instance(Execute:=FALSE);
    FileClose_instance(Execute:=FALSE);
    Stage             :=INT#1;
    Index             :=INT#0;
    OperatingStart:=FALSE;
END_IF;

// Execute instructions.
IF (Operating=TRUE) THEN
    CASE Stage OF
    1 :                // Open file.
        FileOpen_instance(
            Execute :=TRUE,
            FileName:='ABC.csv',    // File name
            Mode     :=_READ_EXIST, // Read file.
            FileID  =>Fid);        // File ID

        IF (FileOpen_instance.Done=TRUE) THEN
            Stage:=INT#2;    // Normal end
        END_IF;

        IF (FileOpen_instance.Error=TRUE) THEN
            Stage:=INT#99;   // Error end
        END_IF;
    2 :                // Read text string.
        FileGets_instance(
            Execute:=TRUE,
            FileID :=Fid,
            TrimLF :=TRUE);

        IF (FileGets_instance.Done=TRUE) THEN
            // Convert the text string that was read to an integer.
            InDat[Index]:=STRING_TO_INT(FileGets_instance.Out);

```



```

        Index:=Index+INT#1;

        // Reached end of file.
        IF (FileGets_instance.EOF=TRUE) THEN
            Stage:=INT#3;    // Normal end
        ELSE
            FileGets_instance(Execute:=FALSE);
        END_IF;
    END_IF;

    IF (FileGets_instance.Error=TRUE) THEN
        Stage:=INT#99;      // Error end
    END_IF;

3 :           // Close file.
    FileClose_instance(
        Execute:=TRUE,
        FileID :=Fid);      // File ID

    IF (FileClose_instance.Done=TRUE) THEN
        Operating:=FALSE;  // Normal end
    END_IF;

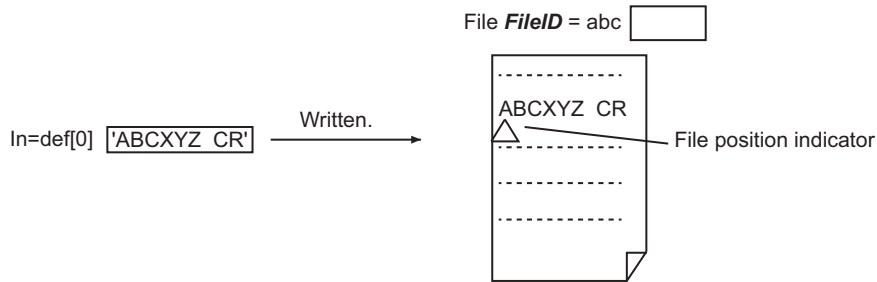
    IF (FileClose_instance.Error=TRUE) THEN
        Stage:=INT#99;     // Error end
    END_IF;

    99 :           // Processing after error end.
        Operating:=FALSE;
    END_CASE;
END_IF;

```



The FilePuts instruction writes the contents of the write text string *In* to the position of the file position indicator in the file specified by *FileID* in the SD Memory Card.



## Related System-defined Variables

Name	Meaning	Data type	Description
<code>_Card1Ready</code>	SD Memory Card Ready Flag	BOOL	This flag indicates if the SD Memory Card can be accessed by instructions and communications commands. <sup>*1</sup> TRUE: Can be used. FALSE: Cannot be used.
<code>_Card1Protect</code>	SD Memory Card Write Protected Flag	BOOL	This flag indicates if the SD Memory Card is write protected when it is inserted and ready to use. TRUE: Write protected. FALSE: Not write protected.
<code>_Card1Err</code>	SD Memory Card Error Flag	BOOL	This flag indicates if an SD Memory Card that cannot be used is mounted or if a format error occurs. TRUE: Error. FALSE: No error.
<code>_Card1Access</code>	SD Memory Card Access Flag	BOOL	This flag indicates if the SD Memory Card is currently being accessed. TRUE: Being accessed. FALSE: Not being accessed.
<code>_Card1PowerFail</code>	SD Memory Card Power Interruption Flag	BOOL	This flag indicates if an error occurred in completing processing when power was interrupted during access. <sup>*2</sup> This flag is not cleared automatically. TRUE: Error. FALSE: No error.

\*1. It is a precondition that the SD Memory Card is physically inserted and mounted normally.

\*2. This indicates an access to the SD Memory Card.

## Additional Information

To create a line feed after you write the text sting, add a line feed code to the end of *In*.

## Precautions for Correct Use

- Execution of this instruction is continued until completed even when the value of *Execute* changes to FALSE or the execution time exceeds the task period. The value of *Done* changes to TRUE when the execution is completed. Use this to confirm normal completion of processing.
- Refer to *Using this Section* on page 2-3 for a timing chart of *Execute*, *Done*, *Busy*, and *Error*.

- You need to use the FileOpen instruction to obtain the value of *FileID* before you execute this instruction.
- If the operating mode of the CPU Unit is changed to PROGRAM mode or if a major fault level Controller error occurs during instruction execution, the file is closed by the system. Any read or write operations in progress are continued up to the end.
- Do not simultaneously access the same file. Perform exclusive control of SD Memory Card instructions in the user program.
- Even if the FilePuts (Put Text String) instruction is used to write the data to the SD Memory Card and the instruction ends normally, the data may not be written correctly to the SD Memory Card. If you want to confirm that the data was written correctly to the SD Memory Card, write the user program so that the written data is read with the FileGets (Get Text String) instruction and compared to the original data.
- An error will occur in the following cases. *Error* will change to TRUE.
  - a) The SD Memory Card is not in a usable condition.
  - b) The SD Memory Card is write protected.
  - c) There is insufficient space available on the SD Memory Card.
  - d) The file specified by *FileID* does not exist.
  - e) The file specified by *FileID* is being accessed.
  - f) The file specified by *FileID* was not opened in a writing mode.
  - g) While the SD Memory Card is being accessed, an error occurs and causes an access failure.

### Sample Programming

Here, 100 lines of the contents of INT array variable `Dat[0..9,0..99]` are stored in a file named 'ABC.csv' in CSV file format.

Each line contains ten text strings of numbers. Commas are inserted between them. A CR+LF code is added to the end of the line.

The procedure is as follows:

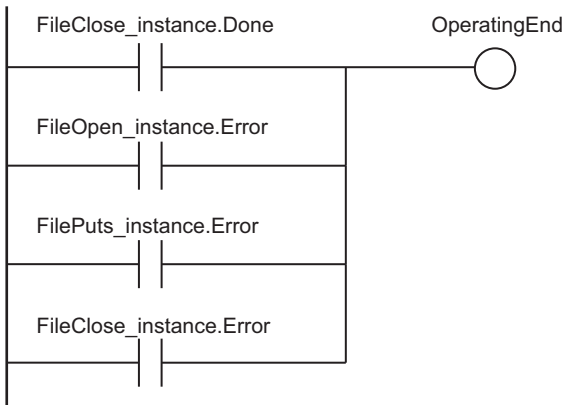
- 1** An element of `Dat[]` is converted into a text string and stored as a STRING variable, *Temp*.
- 2** If the *Temp* is not at the end of the row, insert a comma to join to the STRING variable *StrDat*. If the *Temp* is the last variable at the end of the row, add a CR+LF code to complete the STRING variable *StrDat*.
- 3** When the row is complete, *StrDat* is written into the file.
- 4** Steps 1 to 3 are repeated for 100 lines.



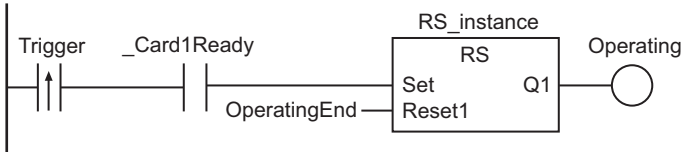
Internal Variables	Variable	Data type	Initial value	Comment
	FileOpen_instance	FileOpen		
	FilePuts_instance	FilePuts		
	FileClose_instance	FileClose		

External Variables	Variable	Data type	Comment
	_Card1Ready	BOOL	SD Memory Card Ready Flag

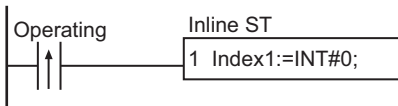
Determine if instruction execution is completed.



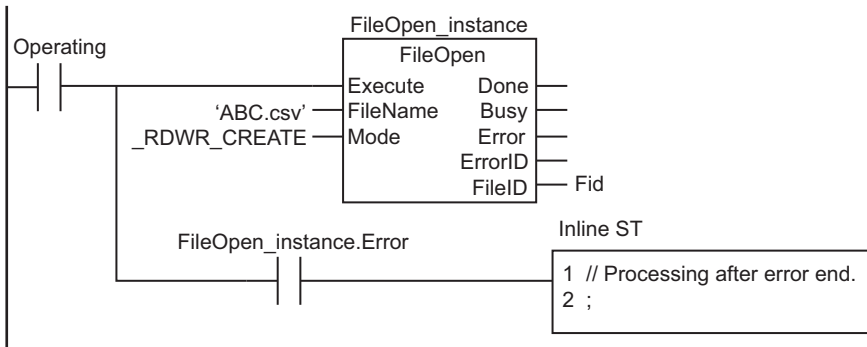
Accept trigger.



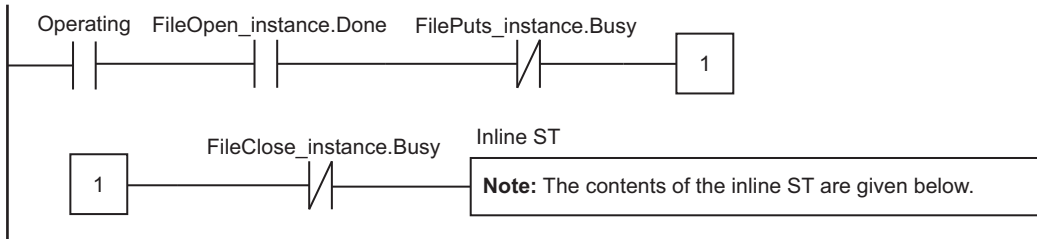
Initialize row index.



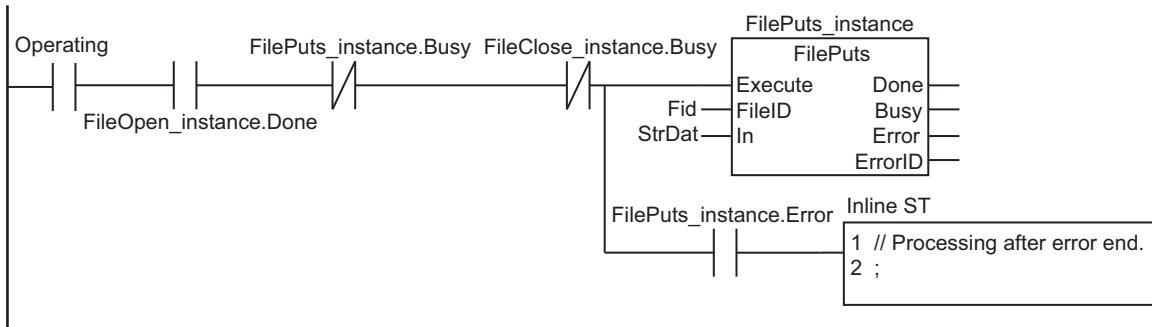
Execute FileOpen instruction.



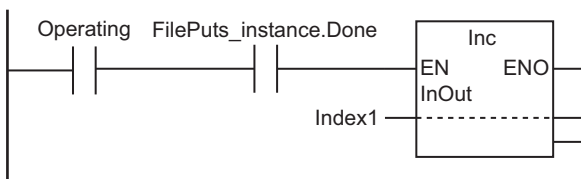
Create a text string for one line.



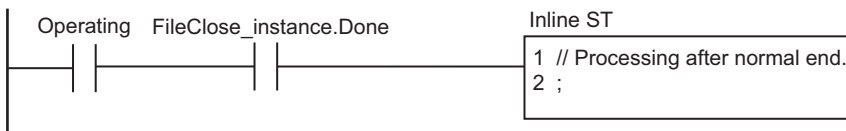
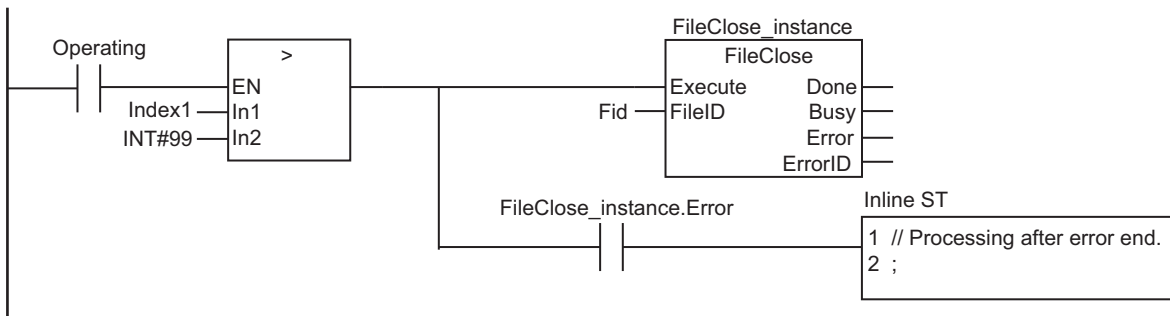
Write a text string for one line to the file.



Increment the line index.



Execute the FileClose instruction after 100 lines are written.



● Contents of Inline ST

```
StrDat:='';
```

```
// Concatenate text strings 0 to 8.
```

```
FOR Index0:=INT#0 TO INT#8 BY INT#1 DO
```

```

Temp :=INT_TO_STRING(Dat[Index1, Index0]);
Temp :=CONCAT(In1:=Temp, In2:=',');
StrDat:=CONCAT(In1:=StrDat, In2:=Temp);
END_FOR;

// Concatenate text string 9 and add CR+LF.
Temp :=INT_TO_STRING(Dat[Index1, Index0]);
Temp :=CONCAT(In1:=Temp, In2:='$r$1');
StrDat:=CONCAT(In1:=StrDat, In2:=Temp);

```

## ST

Internal Variables	Variable	Data type	Initial value	Comment
	Trigger	BOOL	FALSE	Execution condition
	LastTrigger	BOOL	FALSE	Value of Trigger from previous task period
	OperatingStart	BOOL	FALSE	Processing started.
	Operating	BOOL	FALSE	Processing
	Stage	INT	0	Stage change
	Index0	INT	0	Column index
	Index1	INT	0	Row index
	Fid	DWORD	16#0	File ID
	StrDat	STRING[255]	"	Text string data
	Dat	ARRAY[0..99,0..9] OF INT	[1000(0)]	Numeric data
	Temp	STRING[255]	"	Temporary data
	FileOpen_instance	FileOpen		
	FilePuts_instance	FilePuts		
	FileClose_instance	FileClose		

External Variables	Variable	Data type	Comment
	_Card1Ready	BOOL	SD Memory Card Ready Flag

```

// Start sequence when Trigger changes to TRUE.
IF ( (Trigger=TRUE) AND (LastTrigger=FALSE) AND (_Card1Ready=TRUE) ) THEN
    OperatingStart:=TRUE;
    Operating      :=TRUE;
END_IF;
LastTrigger:=Trigger;

// Initialize instance.
IF (OperatingStart=TRUE) THEN
    FileOpen_instance(Execute:=FALSE);
    FilePuts_instance(Execute:=FALSE);

```



```

FileClose_instance(Execute:=FALSE);
Stage           :=INT#1;
Index1          :=INT#0;           // Initialize row index.
OperatingStart:=FALSE;
END_IF;

// Execute instructions.
IF (Operating=TRUE) THEN
  CASE Stage OF
    1 :           // Open file.
      FileOpen_instance(
        Execute :=TRUE,
        FileName:='ABC.csv',      // File name
        Mode    :=_RDWR_CREATE,   // Read file
        FileID  =>Fid);           // File ID

      IF (FileOpen_instance.Done=TRUE) THEN
        Stage:=INT#2;           // Normal end
      END_IF;

      IF (FileOpen_instance.Error=TRUE) THEN
        Stage:=INT#99;          // Error end
      END_IF;

    2 :           // Create a text string for one line.
      StrDat:='';

      // Concatenate text strings 0 to 8.
      FOR Index0:=INT#0 TO INT#8 BY INT#1 DO
        Temp    :=INT_TO_STRING(Dat[Index1, Index0]);
        Temp    :=CONCAT(In1:=Temp, In2:=',');
        StrDat :=CONCAT(In1:=StrDat, In2:=Temp);
      END_FOR;

      // Concatenate text string 9 and add CR+LF.
      Temp :=INT_TO_STRING(Dat[Index1, Index0]);
      Temp :=CONCAT(In1:=Temp, In2:='$r$1');
      StrDat:=CONCAT(In1:=StrDat, In2:=Temp);

      Stage:=INT#3;

    3 :           // Write text string.
      FilePuts_instance(
        Execute:=TRUE,
        FileID :=Fid,
        In     :=StrDat);

      IF (FilePuts_instance.Done=TRUE) THEN

```

```
Index1:=Index1+INT#1;

IF (Index1>INT#99) THEN // If 100 lines were written.
    Stage:=INT#4;
ELSE
    FilePuts_instance(Execute:=FALSE);
    Stage:=INT#2;
END_IF;
END_IF;

IF (FilePuts_instance.Error=TRUE) THEN
    Stage:=INT#99; // Error end
END_IF;

4 : // Close file.
FileClose_instance(
    Execute:=TRUE,
    FileID :=Fid); // File ID

IF (FileClose_instance.Done=TRUE) THEN
    Operating:=FALSE; // Normal end
END_IF;

IF (FileClose_instance.Error=TRUE) THEN
    Stage:=INT#99; // Error end
END_IF;

99 : // Processing after error end.
    Operating:=FALSE;
END_CASE;
END_IF;
```

# FileCopy

The FileCopy instruction copies the specified file in the SD Memory Card.

Instruction	Name	FB/ FUN	Graphic expression	ST expression
FileCopy	Copy File	FB	<pre> FileCopy_instance ├── FileCopy │   ├── Execute │   ├── SrcFileName │   ├── DstFileName │   └── OverWrite │   ├── Done │   ├── Busy │   ├── Error │   └── ErrorID </pre>	FileCopy_instance(Execute, SrcFileName, DstFileName, OverWrite, Done, Busy, Error, ErrorID);

## Variables

	Meaning	I/O	Description	Valid range	Unit	Default
SrcFile-Name	Source file	Input	Name of file to copy	66 bytes max. (65 single-byte alphanumeric characters plus the final NULL character)	---	"
DstFile-Name	Destination file		Name of destination file			
OverWrite	Overwrite enable		TRUE: Enable overwrite. FALSE: Prohibit overwrite.	Depends on data type.		FALSE

	Boo lean	Bit strings				Integers							Real num- bers		Times, durations, dates, and text strings					
	BOOL	BYTE	WORD	DWORD	LWORD	USINT	UINT	UDINT	ULINT	SINT	INT	DINT	LINT	REAL	LREAL	TIME	DATE	TOD	DT	STRING
SrcFile-Name																				OK
DstFile-Name																				OK
OverWrite	OK																			

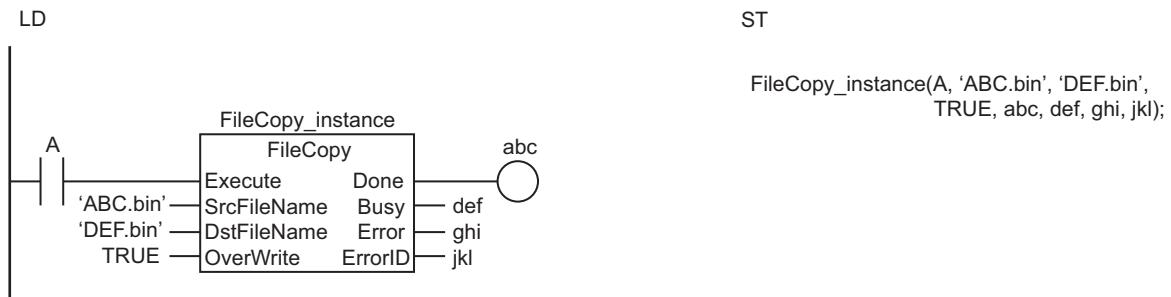
## Function

The FileCopy instruction copies the file specified by source file *SrcFileName* to designation file *DstFileName* in the SD Memory Card.

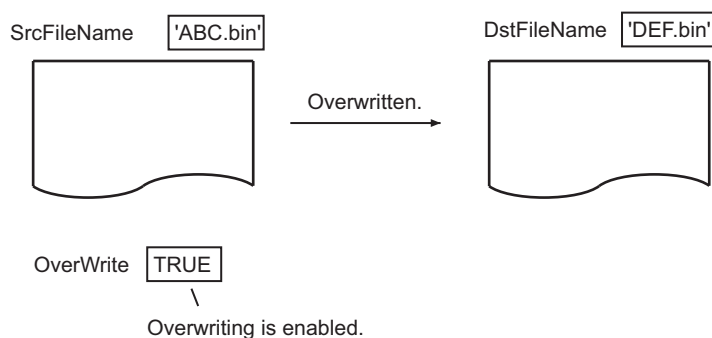
If a file with the name *DstFileName* already exists in the SD Memory Card, the following processing is performed depending on the value of *OverWrite* (overwrite enable).

Value of <i>OverWrite</i>	Description
TRUE (Enable overwrite.)	The existing file is overwritten.
FALSE (Prohibit overwrite.)	The file is not overwritten and an error occurs.

The following figure shows a programming example. Here, the file 'DEF.bin' is overwritten with the file 'ABC.bin.'



The FileCopy instruction overwrites the file specified by source file **SrcFileName** to designation file **DstFileName** in the SD Memory Card.



### Related System-defined Variables

Name	Meaning	Data type	Description
_Card1Ready	SD Memory Card Ready Flag	BOOL	This flag indicates if the SD Memory Card can be accessed by instructions and communications commands. *1 TRUE: Can be used. FALSE: Cannot be used.
_Card1Protect	SD Memory Card Write Protected Flag	BOOL	This flag indicates if the SD Memory Card is write protected when it is inserted and ready to use. TRUE: Write protected. FALSE: Not write protected.
_Card1Err	SD Memory Card Error Flag	BOOL	This flag indicates if an SD Memory Card that cannot be used is mounted or if a format error occurs. TRUE: Error. FALSE: No error.
_Card1Access	SD Memory Card Access Flag	BOOL	This flag indicates if the SD Memory Card is currently being accessed. TRUE: Being accessed. FALSE: Not being accessed.
_Card1PowerFail	SD Memory Card Power Interruption Flag	BOOL	This flag indicates if an error occurred in completing processing when power was interrupted during access.*2 This flag is not cleared automatically. TRUE: Error. FALSE: No error.

\*1. It is a precondition that the SD Memory Card is physically inserted and mounted normally.

\*2. This indicates an access to the SD Memory Card.

## Additional Information

The root directory of the file name is the top level of the SD Memory Card.

## Precautions for Correct Use

- Execution of this instruction is continued until completed even when the value of *Execute* changes to FALSE or the execution time exceeds the task period. The value of *Done* changes to TRUE when the execution is completed. Use this to confirm normal completion of processing.
- Refer to *Using this Section* on page 2-3 for a timing chart of *Execute*, *Done*, *Busy*, and *Error*.
- If the copy operation fails, the file specified by *DstFileName* may remain in an incomplete state in the SD Memory Card.
- When the operating mode of the CPU Unit is changed to PROGRAM mode or when a major fault level Controller error occurs, any open file is closed by the system. Any read or write operations in progress are continued up to the end.
- If a file is open when the power supply is stopped by pressing the SD Memory Card power supply switch, the file is not corrupted.
- If a file is open and the SD Memory Card is removed before the SD Memory Card power supply switch is pressed, the contents of the file may be corrupted. Always turn OFF the power supply before removing the SD Memory Card.
- If a file is open when the power supply is stopped or the SD Memory Card is removed, it will not be possible to read or write the file even if the SD Memory Card is inserted again.
- Do not simultaneously access the same file. Perform exclusive control of SD Memory Card instructions in the user program.
- An error will occur in the following cases. *Error* will change to TRUE.
  - a) The SD Memory Card is not in a usable condition.
  - b) The SD Memory Card is write protected.
  - c) There is insufficient space available on the SD Memory Card.
  - d) The file specified by *SrcFileName* does not exist.
  - e) The value of *SrcFileName* is not a valid file name.
  - f) The file specified by *SrcFileName* or *DstFileName* is already being accessed.
  - g) The value of *DstFileName* is not a valid file name.
  - h) A file with the name *DstFileName* already exists, and the value of *OverWrite* is FALSE.
  - i) A file with the name *DstFileName* already exists, and the file is write protected.
  - j) The value of *DstFileName* exceeds the maximum number of bytes allowed in a file name.
  - k) The maximum number of files or directories is exceeded.
  - l) Five or more of the following SD Memory Card instructions, which do not have *FileID*, are executed at the same time: *FileWriteVar*, *FileReadVar*, *FileCopy*, *DirCreate*, *FileRemove*, *DirRemove*, and *FileRename*.
  - m) While the SD Memory Card is being accessed, an error occurs and causes an access failure.

## Sample Programming

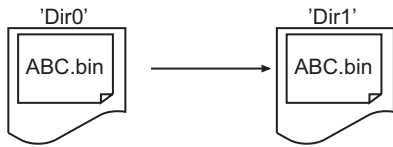
The following procedure is used to move a file.

- 1** The DirCreate instruction is used to create a directory called 'Dir1' in the SD Memory Card.
- 2** The FileCopy instruction is used to copy the file named 'ABC.bin' in the existing directory 'Dir0' to the directory 'Dir1.'
- 3** The DirRemove instruction is used to delete the directory 'Dir0' (the source of the copy).

1. Create directory.



2. Copy file.



3. Delete directory.

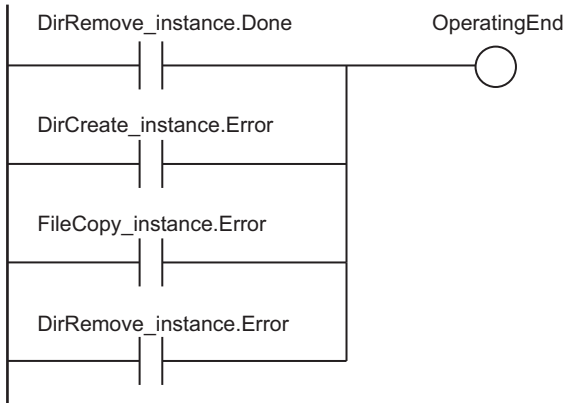


## LD

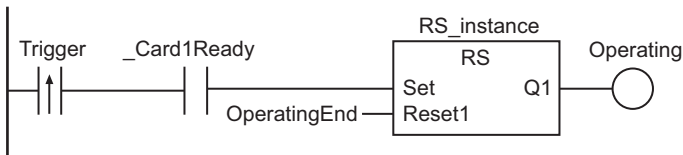
Internal Variables	Variable	Data type	Initial value	Comment
	OperatingEnd	BOOL	FALSE	Processing completed.
	Trigger	BOOL	FALSE	Execution condition
	Operating	BOOL	FALSE	Processing
	RS_instance	RS		
	DirCreate_instance	DirCreate		
	FileCopy_instance	FileCopy		
	DirRemove_instance	DirRemove		

External Variables	Variable	Data type	Comment
	_Card1Ready	BOOL	SD Memory Card Ready Flag

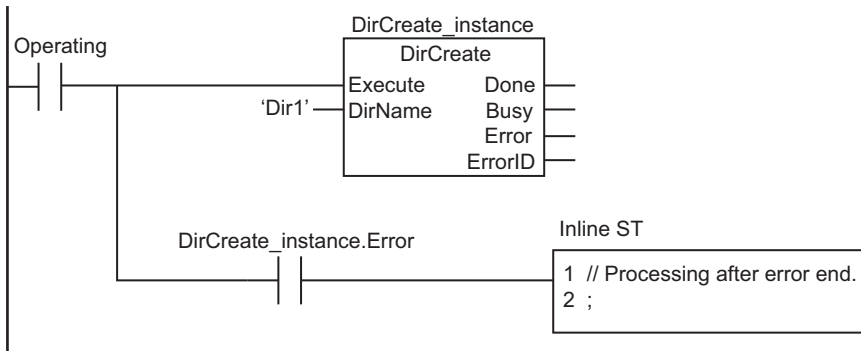
Determine if instruction execution is completed.



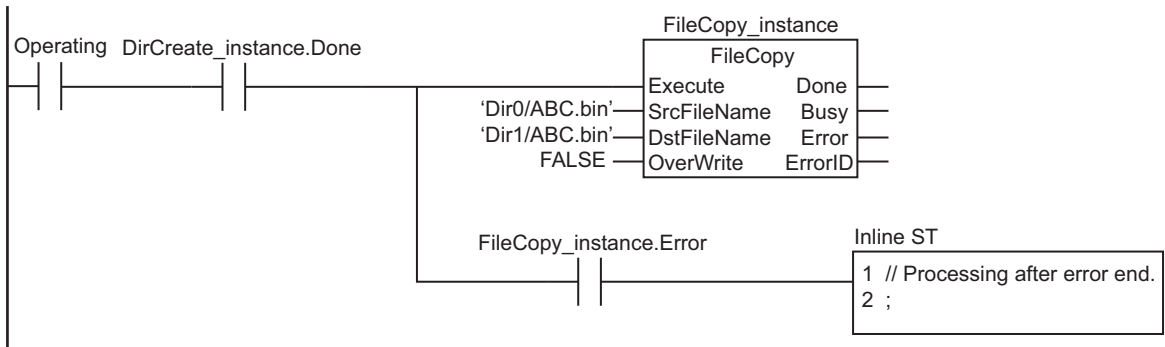
Accept trigger.



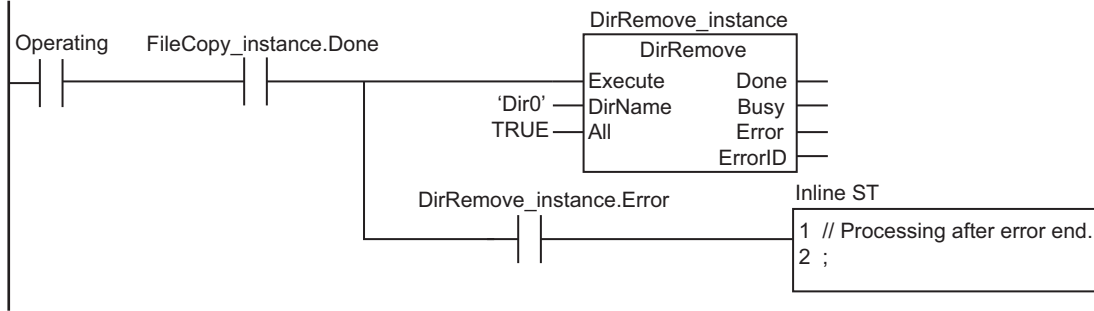
Execute DirCreate instruction.



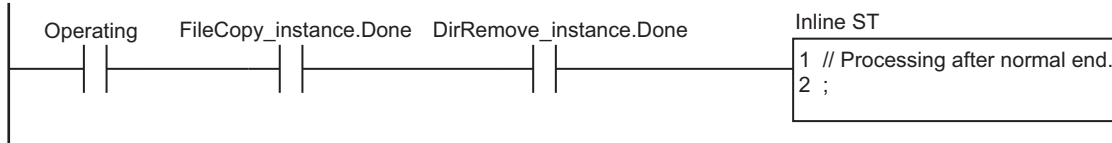
Execute FileCopy instruction.



Execute DirRemove instruction.



Processing after normal end.



### ST

Internal Variables	Variable	Data type	Initial value	Comment
	Trigger	BOOL	FALSE	Execution condition
	LastTrigger	BOOL	FALSE	Value of <i>Trigger</i> from previous task period
	OperatingStart	BOOL	FALSE	Processing started.
	Operating	BOOL	FALSE	Processing
	Stage	INT	0	Stage change
	DirCreate_instance	DirCreate		
	FileCopy_instance	FileCopy		
	DirRemove_instance	DirRemove		

External Variables	Variable	Data type	Comment
	_Card1Ready	BOOL	SD Memory Card Ready Flag

```
// Start sequence when Trigger changes to TRUE.
IF ( (Trigger=TRUE) AND (LastTrigger=FALSE) AND (_Card1Ready=TRUE) ) THEN
    OperatingStart:=TRUE;
    Operating      :=TRUE;
END_IF;
LastTrigger:=Trigger;

// Initialize instance.
IF (OperatingStart=TRUE) THEN
    DirCreate_instance(Execute:=FALSE);
    FileCopy_instance(Execute:=FALSE);
    DirRemove_instance(Execute:=FALSE);
```



```

        Stage          :=INT#1;
        OperatingStart:=FALSE;
    END_IF;

    // Execute instructions.
    IF (Operating=TRUE) THEN
        CASE Stage OF
            1 :                // Create directory.
                DirCreate_instance(
                    Execute:=TRUE,
                    DirName:='Dir1');                // Directory name

                IF (DirCreate_instance.Done=TRUE) THEN
                    Stage:=INT#2;                // Normal end
                END_IF;

                IF (DirCreate_instance.Error=TRUE) THEN
                    Stage:=INT#99;                // Error end
                END_IF;

            2 :                // Copy file.
                FileCopy_instance(
                    Execute      :=TRUE,
                    SrcFileName:='Dir0/ABC.bin',    // Name of file to copy
                    DstFileName:='Dir1/ABC.bin',    // Name of destination file
                    OverWrite   :=FALSE);          // Prohibit overwrite.

                IF (FileCopy_instance.Done=TRUE) THEN
                    Stage:=INT#3;
                END_IF;

                IF (FileCopy_instance.Error=TRUE) THEN
                    Stage:=INT#99;
                END_IF;

            3 :                // Delete directory.
                DirRemove_instance(
                    Execute:=TRUE,
                    DirName:='Dir0',                // Directory name
                    All     :=TRUE);                // Delete files and subdirectories.

                IF (DirRemove_instance.Done=TRUE) THEN
                    Operating:=FALSE;                // Normal end
                END_IF;

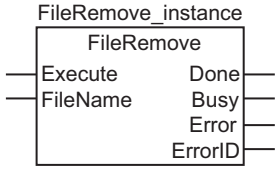
                IF (DirRemove_instance.Error=TRUE) THEN
                    Stage:=INT#99;                // Error end
                END_IF;
        END_CASE;
    END_IF;

```

```
99 :                               // Processing after error end.  
    Operating:=FALSE;  
END_CASE;  
END_IF;
```

# FileRemove

The FileRemove instruction deletes the specified file from the SD Memory Card.

Instruction	Name	FB/ FUN	Graphic expression	ST expression
FileRemove	Delete File	FB		FileRemove_instance(Execute, FileName, Done, Busy, Error, ErrorID);

## Variables

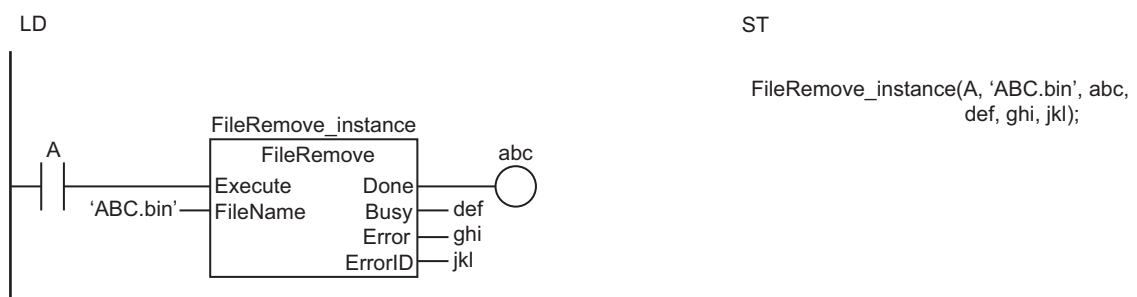
	Meaning	I/O	Description	Valid range	Unit	Default
FileName	File name	Input	Name of file to delete	66 bytes max. (65 single-byte alphanumeric characters plus the final NULL character)	---	"

	Boo lean	Bit strings					Integers							Real numbers		Times, durations, dates, and text strings				
	BOOL	BYTE	WORD	DWORD	LWORD	USINT	UINT	UDINT	ULINT	SINT	INT	DINT	LINT	REAL	LREAL	TIME	DATE	TOD	DT	STRING
FileName																				OK

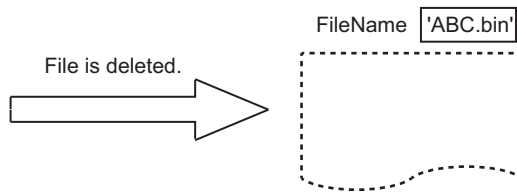
## Function

The FileRemove instruction deletes the file specified by file name *FileName* from the SD Memory Card.

The following figure shows a programming example. Here, the file named 'ABC.bin' is deleted.



The FileRemove instruction deletes the file specified by **FileName** from the SD Memory Card.



### Related System-defined Variables

Name	Meaning	Data type	Description
_Card1Ready	SD Memory Card Ready Flag	BOOL	This flag indicates if the SD Memory Card can be accessed by instructions and communications commands. <sup>*1</sup> TRUE: Can be used. FALSE: Cannot be used.
_Card1Protect	SD Memory Card Write Protected Flag	BOOL	This flag indicates if the SD Memory Card is write protected when it is inserted and ready to use. TRUE: Write protected. FALSE: Not write protected.
_Card1Err	SD Memory Card Error Flag	BOOL	This flag indicates if an SD Memory Card that cannot be used is mounted or if a format error occurs. TRUE: Error. FALSE: No error.
_Card1Access	SD Memory Card Access Flag	BOOL	This flag indicates if the SD Memory Card is currently being accessed. TRUE: Being accessed. FALSE: Not being accessed.
_Card1PowerFail	SD Memory Card Power Interruption Flag	BOOL	This flag indicates if an error occurred in completing processing when power was interrupted during access. <sup>*2</sup> This flag is not cleared automatically. TRUE: Error. FALSE: No error.

\*1. It is a precondition that the SD Memory Card is physically inserted and mounted normally.

\*2. This indicates an access to the SD Memory Card.

### Additional Information

The root directory of the file name is the top level of the SD Memory Card.

### Precautions for Correct Use

- Execution of this instruction is continued until completed even when the value of *Execute* changes to FALSE or the execution time exceeds the task period. The value of *Done* changes to TRUE when the execution is completed. Use this to confirm normal completion of processing.
- Refer to *Using this Section* on page 2-3 for a timing chart of *Execute*, *Done*, *Busy*, and *Error*.
- When the operating mode of the CPU Unit is changed to PROGRAM mode or when a major fault level Controller error occurs, any open file is closed by the system. Any read or write operations in progress are continued up to the end.

- If a file is open when the power supply is stopped by pressing the SD Memory Card power supply switch, the file is not corrupted.
- If a file is open and the SD Memory Card is removed before the SD Memory Card power supply switch is pressed, the contents of the file may be corrupted. Always turn OFF the power supply before removing the SD Memory Card.
- If a file is open when the power supply is stopped or the SD Memory Card is removed, it will not be possible to read or write the file even if the SD Memory Card is inserted again.
- Do not simultaneously access the same file. Perform exclusive control of SD Memory Card instructions in the user program.
- An error will occur in the following cases. *Error* will change to TRUE.
  - a) The SD Memory Card is not in a usable condition.
  - b) The SD Memory Card is write protected.
  - c) The file specified by *FileName* does not exist.
  - d) The file specified by *FileName* is being accessed.
  - e) A file with the name *FileName* already exists, and the file is write protected.
  - f) The value of *FileName* exceeds the maximum number of bytes allowed in a file name.
  - g) Five or more of the following SD Memory Card instructions, which do not have *FileID*, are executed at the same time: FileWriteVar, FileReadVar, FileCopy, DirCreate, FileRemove, DirRemove, and FileRename.
  - h) While the SD Memory Card is being accessed, an error occurs and causes an access failure.

## Sample Programming

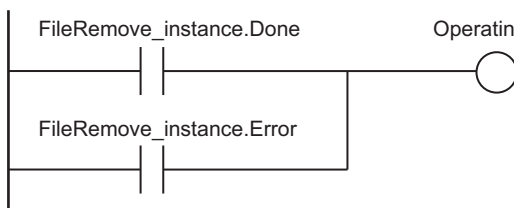
In this sample, the file named 'ABC.bin' is deleted from the SD Memory Card.

### LD

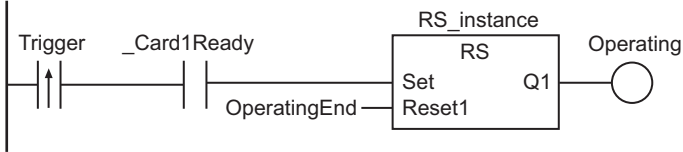
Internal Variables	Variable	Data type	Initial value	Comment
	OperatingEnd	BOOL	FALSE	Processing completed.
	Trigger	BOOL	FALSE	Execution condition
	Operating	BOOL	FALSE	Processing
	RS_instance	RS		
	FileRemove_instance	FileRemove		

External Variables	Variable	Data type	Comment
	_Card1Ready	BOOL	SD Memory Card Ready Flag

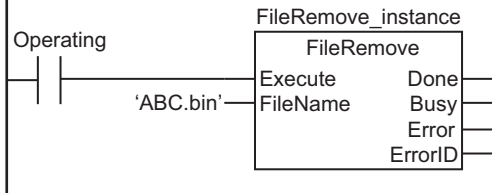
Determine if execution of the FileRemove instruction is completed.



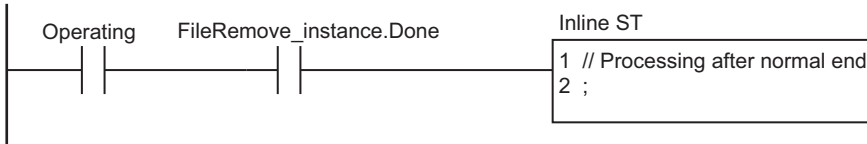
Accept trigger.



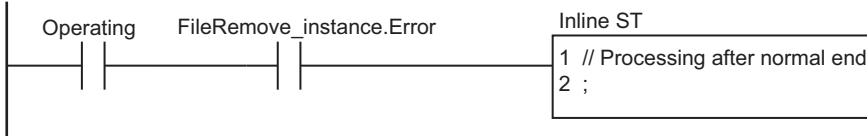
Execute FileRemove instruction.



Processing after normal end.



Processing after error end.



### ST

Internal Variables	Variable	Data type	Initial value	Comment
	Trigger	BOOL	FALSE	Execution condition
	LastTrigger	BOOL	FALSE	Value of <i>Trigger</i> from previous task period
	OperatingStart	BOOL	FALSE	Processing started.
	Operating	BOOL	FALSE	Processing
	FileRemove_instance	FileRemove		

External Variables	Variable	Data type	Comment
	_Card1Ready	BOOL	SD Memory Card Ready Flag

```
// Start sequence when Trigger changes to TRUE.
IF ( (Trigger=TRUE) AND (LastTrigger=FALSE) AND (_Card1Ready=TRUE) ) THEN
    OperatingStart:=TRUE;
    Operating      :=TRUE;
END_IF;
LastTrigger:=Trigger;
```

```
// Initialize instance.
IF (OperatingStart=TRUE) THEN
    FileRemove_instance(Execute:=FALSE);
    OperatingStart:=FALSE;
END_IF;

// Execute FileRemove instruction.
IF (Operating=TRUE) THEN
    FileRemove_instance(
        Execute :=TRUE,
        FileName:='ABC.bin'); // File name

    IF (FileRemove_instance.Done=TRUE) THEN
        Operating:=FALSE; // Normal end
    END_IF;

    IF (FileRemove_instance.Error=TRUE) THEN
        Operating:=FALSE; // Error end
    END_IF;
END_IF;
```

# FileRename

The FileRename instruction changes the name of the specified file or directory in the SD Memory Card.

Instruction	Name	FB/ FUN	Graphic expression	ST expression
FileRename	Change File Name	FB	<pre> FileRename_instance FileRename - Execute      Done - FileName     Busy - NewName      Error - OverWrite    ErrorID           </pre>	FileRename_instance(Execute, FileName, NewName, OverWrite, Done, Busy, Error, ErrorID);

## Variables

	Meaning	I/O	Description	Valid range	Unit	Default
FileName	Original file name	Input	Original file name	66 bytes max. (65 single-byte alphanumeric characters plus the final NULL character)	---	"
NewName	New file name		New file name			
OverWrite	Overwrite enable		TRUE: Enable overwrite. FALSE: Prohibit overwrite.	Depends on data type.		FALSE

	Boo lean	Bit strings					Integers							Real num- bers		Times, durations, dates, and text strings				
	BOOL	BYTE	WORD	DWORD	LWORD	USINT	UINT	UDINT	ULINT	SINT	INT	DINT	LINT	REAL	LREAL	TIME	DATE	TOD	DT	STRING
FileName																				OK
NewName																				OK
OverWrite	OK																			

## Function

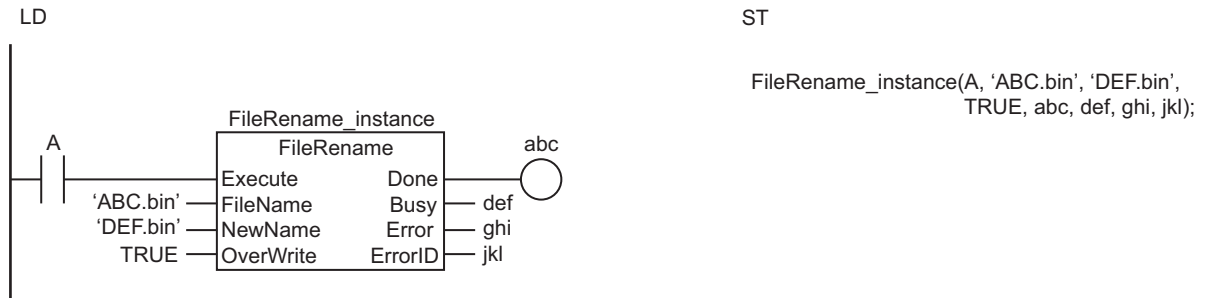
The FileRename instruction changes the name of the file or directory specified by original file name *FileName* to new file name *NewName* in the SD Memory Card.

If a file or directory with the name *NewName* already exists in the SD Memory Card, the following processing is performed depending on the value of *OverWrite* (overwrite enable).

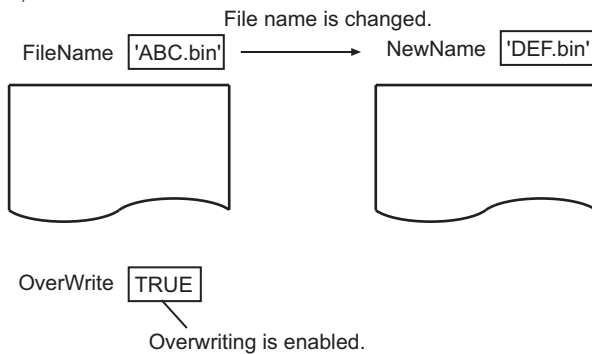
Value of <i>OverWrite</i>	Description
TRUE (Enable overwrite.)	The existing file or directory is overwritten.
FALSE (Prohibit overwrite.)	The file or directory is not overwritten and an error occurs.



The following figure shows a programming example. Here, the name of the file 'ABC.bin' is changed to 'DEF.bin.'



The FileRename instruction changes the name of the file specified by original file name **FileName** to new file name **NewName** in the SD Memory Card. If the file already exists, it is overwritten.



## Related System-defined Variables

Name	Meaning	Data type	Description
_Card1Ready	SD Memory Card Ready Flag	BOOL	This flag indicates if the SD Memory Card can be accessed by instructions and communications commands. *1 TRUE: Can be used. FALSE: Cannot be used.
_Card1Protect	SD Memory Card Write Protected Flag	BOOL	This flag indicates if the SD Memory Card is write protected when it is inserted and ready to use. TRUE: Write protected. FALSE: Not write protected.
_Card1Err	SD Memory Card Error Flag	BOOL	This flag indicates if an SD Memory Card that cannot be used is mounted or if a format error occurs. TRUE: Error. FALSE: No error.
_Card1Access	SD Memory Card Access Flag	BOOL	This flag indicates if the SD Memory Card is currently being accessed. TRUE: Being accessed. FALSE: Not being accessed.

Name	Meaning	Data type	Description
_Card1PowerFail	SD Memory Card Power Interruption Flag	BOOL	This flag indicates if an error occurred in completing processing when power was interrupted during access.*2 This flag is not cleared automatically. TRUE: Error. FALSE: No error.

\*1. It is a precondition that the SD Memory Card is physically inserted and mounted normally.

\*2. This indicates an access to the SD Memory Card.

## Additional Information

The root directory of the file name is the top level of the SD Memory Card.

## Precautions for Correct Use

- Execution of this instruction is continued until completed even when the value of *Execute* changes to FALSE or the execution time exceeds the task period. The value of *Done* changes to TRUE when the execution is completed. Use this to confirm normal completion of processing.
- Refer to *Using this Section* on page 2-3 for a timing chart of *Execute*, *Done*, *Busy*, and *Error*.
- If the directories are different for *FileName* and *NewName*, the file is moved to the directory that is specified with *NewName*.
- When the operating mode of the CPU Unit is changed to PROGRAM mode or when a major fault level Controller error occurs, any open file is closed by the system. Any read or write operations in progress are continued up to the end.
- If a file is open when the power supply is stopped by pressing the SD Memory Card power supply switch, the file is not corrupted.
- If a file is open and the SD Memory Card is removed before the SD Memory Card power supply switch is pressed, the contents of the file may be corrupted. Always turn OFF the power supply before removing the SD Memory Card.
- If a file is open when the power supply is stopped or the SD Memory Card is removed, it will not be possible to read or write the file even if the SD Memory Card is inserted again.
- Do not simultaneously access the same file. Perform exclusive control of SD Memory Card instructions in the user program.
- An error will occur in the following cases. *Error* will change to TRUE.
  - a) The SD Memory Card is not in a usable condition.
  - b) The SD Memory Card is write protected.
  - c) The file directory specified with *FileName* does not exist.
  - d) The value of *FileName* or *NewName* is not a valid file name or directory name.
  - e) The file specified by *FileName* is being accessed.
  - f) There is a subdirectory in the directory that was specified for *FileName*, and the value of *OverWrite* is TRUE.
  - g) A file with the name *NewName* already exists, and the value of *OverWrite* is FALSE.
  - h) A file with the name *NewName* already exists, the file is write protected, and the value of *OverWrite* is TRUE.
  - i) The value of *NewName* exceeds the maximum number of bytes allowed in a file name or directory name.
  - j) The maximum number of directories is exceeded.

- k) Five or more of the following SD Memory Card instructions, which do not have *FileID*, are executed at the same time: FileWriteVar, FileReadVar, FileCopy, DirCreate, FileRemove, DirRemove, and FileRename.
- l) While the SD Memory Card is being accessed, an error occurs and causes an access failure.

## Sample Programming

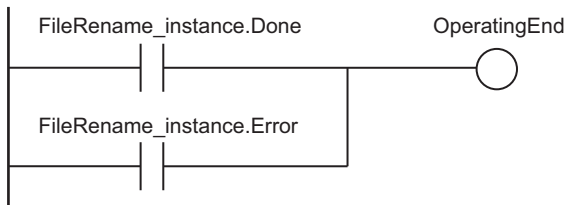
In this sample, the name of the file 'ABC.bin' is changed to 'DEF.bin' on the SD Memory Card.

### LD

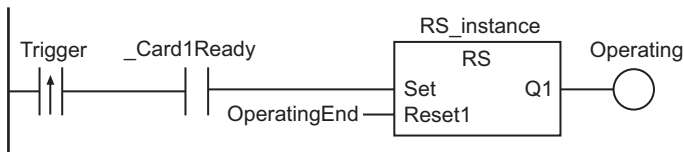
Internal Variables	Variable	Data type	Initial value	Comment
	OperatingEnd	BOOL	FALSE	Processing completed.
	Trigger	BOOL	FALSE	Execution condition
	Operating	BOOL	FALSE	Processing
	RS_instance	RS		
	FileRename_instance	FileRename		

External Variables	Variable	Data type	Comment
	_Card1Ready	BOOL	SD Memory Card Ready Flag

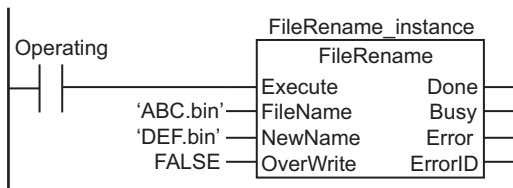
Determine if execution of the FileRename instruction is completed.



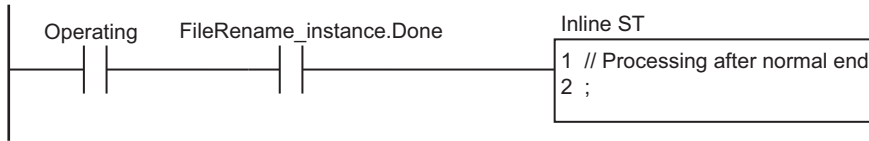
Accept trigger.



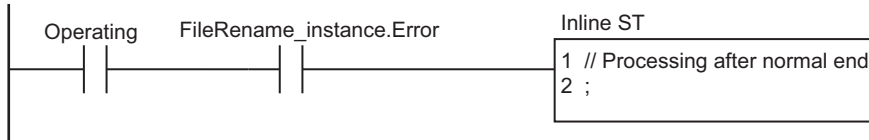
Execute FileRename instruction.



Processing after normal end.



Processing after error end.



### ST

Internal Variables	Variable	Data type	Initial value	Comment
	Trigger	BOOL	FALSE	Execution condition
	LastTrigger	BOOL	FALSE	Value of <i>Trigger</i> from previous task period
	OperatingStart	BOOL	FALSE	Processing started.
	Operating	BOOL	FALSE	Processing
	FileRename_instance	FileRename		

External Variables	Variable	Data type	Comment
	_Card1Ready	BOOL	SD Memory Card Ready Flag

```
// Start sequence when Trigger changes to TRUE.
IF ( (Trigger=TRUE) AND (LastTrigger=FALSE) AND (_Card1Ready=TRUE) ) THEN
    OperatingStart:=TRUE;
    Operating      :=TRUE;
END_IF;
LastTrigger:=Trigger;

// Initialize instance.
IF (OperatingStart=TRUE) THEN
    FileRename_instance(Execute:=FALSE);
    OperatingStart:=FALSE;
END_IF;

// Execute FileRename instruction.
IF (Operating=TRUE) THEN
    FileRename_instance(
        Execute :=TRUE,
        FileName :='ABC.bin', // Original file name
        NewName   :='DEF.bin', // New file name
        OverWrite:=FALSE); // Prohibit overwrite.
```

```
IF (FileRename_instance.Done=TRUE) THEN
    Operating:=FALSE;          // Normal end
END_IF;

IF (FileRename_instance.Error=TRUE) THEN
    Operating:=FALSE;          // Error end
END_IF;
END_IF;
```

# DirCreate

The DirCreate instruction creates a directory with the specified name in the SD Memory Card.

Instruction	Name	FB/ FUN	Graphic expression	ST expression
DirCreate	Create Directory	FB		DirCreate_instance(Execute, DirName, Done, Busy, Error, ErrorID);

## Variables

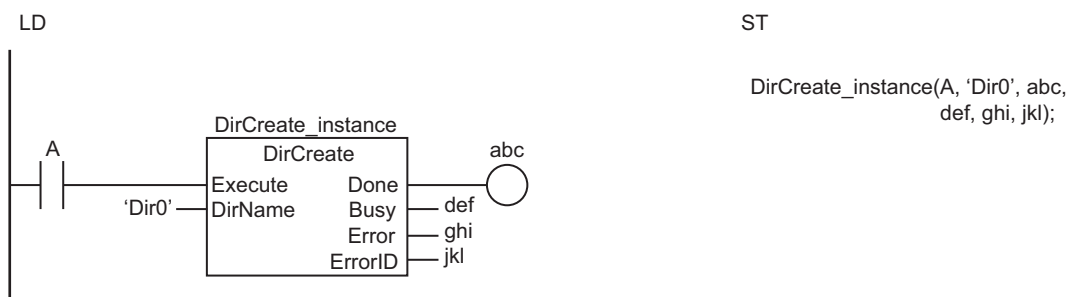
	Meaning	I/O	Description	Valid range	Unit	Default
DirName	Directory to create	Input	Name of directory to create	66 bytes max. (65 single-byte alphanumeric characters plus the final NULL character)	--	"

	Boo lean	Bit strings				Integers						Real num- bers		Times, durations, dates, and text strings						
	BOOL	BYTE	WORD	DWORD	LWORD	USINT	UINT	UDINT	ULINT	SINT	INT	DINT	LINT	REAL	LREAL	TIME	DATE	TOD	DT	STRING
DirName																				OK

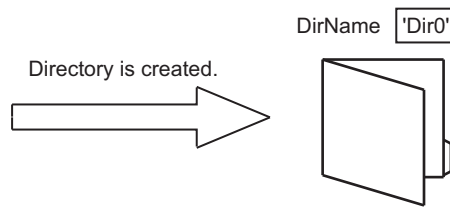
## Function

The DirCreate instruction creates a directory named by *DirName* (directory to create) in the SD Memory Card.

The following figure shows a programming example. Here, a directory named 'Dir0' is created.



The DirCreate instruction creates a directory with the name specified by **DirName** in the SD Memory Card.



## Related System-defined Variables

Name	Meaning	Data type	Description
_Card1Ready	SD Memory Card Ready Flag	BOOL	This flag indicates if the SD Memory Card can be accessed by instructions and communications commands. *1 TRUE: Can be used. FALSE: Cannot be used.
_Card1Protect	SD Memory Card Write Protected Flag	BOOL	This flag indicates if the SD Memory Card is write protected when it is inserted and ready to use. TRUE: Write protected. FALSE: Not write protected.
_Card1Err	SD Memory Card Error Flag	BOOL	This flag indicates if an SD Memory Card that cannot be used is mounted or if a format error occurs. TRUE: Error. FALSE: No error.
_Card1Access	SD Memory Card Access Flag	BOOL	This flag indicates if the SD Memory Card is currently being accessed. TRUE: Being accessed. FALSE: Not being accessed.
_Card1PowerFail	SD Memory Card Power Interruption Flag	BOOL	This flag indicates if an error occurred in completing processing when power was interrupted during access.*2 This flag is not cleared automatically. TRUE: Error. FALSE: No error.

\*1. It is a precondition that the SD Memory Card is physically inserted and mounted normally.

\*2. This indicates an access to the SD Memory Card.

## Additional Information

The root directory of the file name is the top level of the SD Memory Card.

## Precautions for Correct Use

- Execution of this instruction is continued until completed even when the value of *Execute* changes to FALSE or the execution time exceeds the task period. The value of *Done* changes to TRUE when the execution is completed. Use this to confirm normal completion of processing.
- Refer to *Using this Section* on page 2-3 for a timing chart of *Execute*, *Done*, *Busy*, and *Error*.
- When the operating mode of the CPU Unit is changed to PROGRAM mode or when a major fault level Controller error occurs, any open file is closed by the system. Any read or write operations in progress are continued up to the end.

- If a file is open when the power supply is stopped by pressing the SD Memory Card power supply switch, the file is not corrupted.
- If a file is open and the SD Memory Card is removed before the SD Memory Card power supply switch is pressed, the contents of the file may be corrupted. Always turn OFF the power supply before removing the SD Memory Card.
- If a file is open when the power supply is stopped or the SD Memory Card is removed, it will not be possible to read or write the file even if the SD Memory Card is inserted again.
- Do not simultaneously access the same file. Perform exclusive control of SD Memory Card instructions in the user program.
- An error will occur in the following cases. *Error* will change to TRUE.
  - a) The SD Memory Card is not in a usable condition.
  - b) The SD Memory Card is write protected.
  - c) There is insufficient space available on the SD Memory Card.
  - d) The file specified by *FileName* is being accessed.
  - e) The maximum number of directories is exceeded.
  - f) Five or more of the following SD Memory Card instructions, which do not have *FileID*, are executed at the same time: *FileWriteVar*, *FileReadVar*, *FileCopy*, *DirCreate*, *FileRemove*, *DirRemove*, and *FileRename*.
  - g) The directory specified by *DirName* already exists.
  - h) The value of *DirName* is not a valid directory name.
  - i) The value of *DirName* exceeds the maximum number of bytes allowed in a directory name.
  - j) While the SD Memory Card is being accessed, an error occurs and causes an access failure.

### Sample Programming

Refer to *Sample Programming* on page 2-1547 for the *FileCopy* instruction.



# DirRemove

The DirRemove instruction deletes the specified directory from the SD Memory Card.

Instruction	Name	FB/ FUN	Graphic expression	ST expression
DirRemove	Delete Directory	FB	<pre> graph TD     subgraph DirRemove_instance [DirRemove_instance]         DirRemove     end     Execute --- DirRemove     DirName --- DirRemove     All --- DirRemove     Done --- DirRemove     Busy --- DirRemove     Error --- DirRemove     ErrorID --- DirRemove           </pre>	DirRemove_instance(Execute, DirName, All, Done, Busy, Error, ErrorID);

## Variables

	Meaning	I/O	Description	Valid range	Unit	Default
DirName	Directory to delete	Input	Directory to delete	66 bytes max. (65 single-byte alphanumeric characters plus the final NULL character)	---	"
All	All designation		Specifies whether to delete files and subdirectories inside specified directory TRUE: Delete files and subdirectories. FALSE: Do not delete.	Depends on data type.		FALSE

	Boo lean	Bit strings					Integers							Real numbers		Times, durations, dates, and text strings				
	BOOL	BYTE	WORD	DWORD	LWORD	USINT	UINT	UDINT	ULINT	SINT	INT	DINT	LINT	REAL	LREAL	TIME	DATE	TOD	DT	STRING
DirName																				OK
All	OK																			

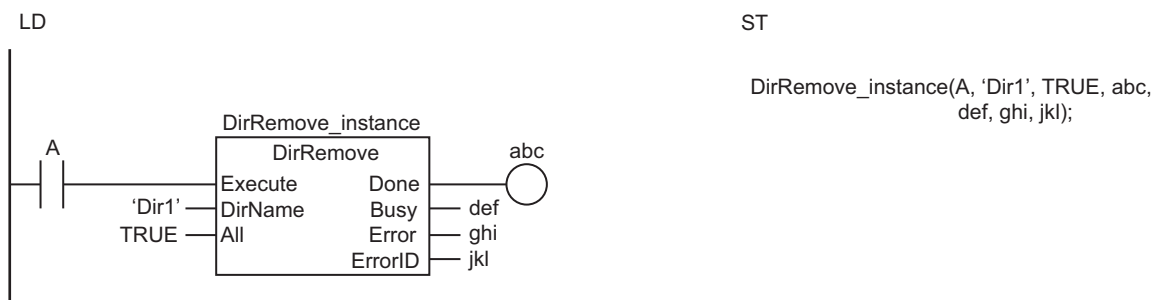
## Function

The DirRemove instruction deletes the directory specified by *DirName* (directory to delete) from the SD Memory Card.

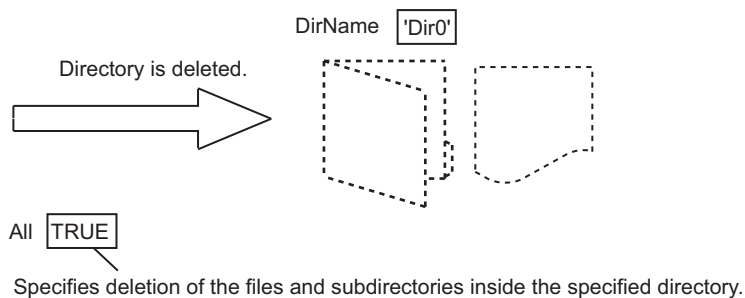
If there are files or subdirectories in the specified directory, the following processing is performed according to the value of *All* (all designation).

Value of <i>All</i>	Description
TRUE	All files and subdirectories are deleted along with the specified directory.
FALSE	The specified directory is not deleted and an error occurs.

The following figure shows a programming example. Here, a directory named 'Dir1' is deleted.



The DirRemove instruction deletes the directory with the name specified by **DirName** from the SD Memory Card. Files and subdirectories inside specified directory are deleted too.



### Related System-defined Variables

Name	Meaning	Data type	Description
_Card1Ready	SD Memory Card Ready Flag	BOOL	This flag indicates if the SD Memory Card can be accessed by instructions and communications commands. *1 TRUE: Can be used. FALSE: Cannot be used.
_Card1Protect	SD Memory Card Write Protected Flag	BOOL	This flag indicates if the SD Memory Card is write protected when it is inserted and ready to use. TRUE: Write protected. FALSE: Not write protected.
_Card1Err	SD Memory Card Error Flag	BOOL	This flag indicates if an SD Memory Card that cannot be used is mounted or if a format error occurs. TRUE: Error. FALSE: No error.
_Card1Access	SD Memory Card Access Flag	BOOL	This flag indicates if the SD Memory Card is currently being accessed. TRUE: Being accessed. FALSE: Not being accessed.
_Card1PowerFail	SD Memory Card Power Interruption Flag	BOOL	This flag indicates if an error occurred in completing processing when power was interrupted during access.*2 This flag is not cleared automatically. TRUE: Error. FALSE: No error.

\*1. It is a precondition that the SD Memory Card is physically inserted and mounted normally.

\*2. This indicates an access to the SD Memory Card.

## Additional Information

The root directory of the file name is the top level of the SD Memory Card.

## Precautions for Correct Use

- Execution of this instruction is continued until completed even when the value of *Execute* changes to FALSE or the execution time exceeds the task period. The value of *Done* changes to TRUE when the execution is completed. Use this to confirm normal completion of processing.
- Refer to *Using this Section* on page 2-3 for a timing chart of *Execute*, *Done*, *Busy*, and *Error*.
- When the operating mode of the CPU Unit is changed to PROGRAM mode or when a major fault level Controller error occurs, any open file is closed by the system. Any read or write operations in progress are continued up to the end.
- If a file is open when the power supply is stopped by pressing the SD Memory Card power supply switch, the file is not corrupted.
- If a file is open and the SD Memory Card is removed before the SD Memory Card power supply switch is pressed, the contents of the file may be corrupted. Always turn OFF the power supply before removing the SD Memory Card.
- If a file is open when the power supply is stopped or the SD Memory Card is removed, it will not be possible to read or write the file even if the SD Memory Card is inserted again.
- If the directory that is specified with *DirName* is write protected, an error occurs and the directory is not deleted. However, any files or directories that are not write-protected inside that directory are deleted.
- Do not simultaneously access the same file. Perform exclusive control of SD Memory Card instructions in the user program.
- An error will occur in the following cases. *Error* will change to TRUE.
  - a) The SD Memory Card is not in a usable condition.
  - b) The SD Memory Card is write protected.
  - c) The value of *All* is TRUE, and the directory specified with *DirName* is being accessed by another instruction.
  - d) The value of *All* is FALSE, and the directory specified with *DirName* contains files or directories.
  - e) The directory specified by *DirName* is write-protected.
  - f) The directory specified by *DirName* contains write-protected files or write-protected directories.
  - g) The directory specified by *DirName* does not exist.
  - h) The value of *DirName* exceeds the maximum number of bytes allowed in a directory name.
  - i) Five or more of the following SD Memory Card instructions, which do not have *FileID*, are executed at the same time: FileWriteVar, FileReadVar, FileCopy, DirCreate, FileRemove, DirRemove, and FileRename.
  - j) While the SD Memory Card is being accessed, an error occurs and causes an access failure.

## Sample Programming

Refer to *Sample Programming* on page 2-1547 for the FileCopy instruction.

# BackupToMemoryCard

The BackupToMemoryCard instruction backs up data to an SD Memory Card.

Instruction	Name	FB/ FUN	Graphic expression	ST expression
BackupToMemoryCard	SD Memory Card Backup	FB		BackupToMemoryCard_instance(Execute, DirName, Cancel, Option, Done, Busy, Error, Canceled, ErrorID);



## Version Information

A CPU Unit with unit version 1.08 or later and Sysmac Studio version 1.09 or higher are required to use this instruction.

## Variables

	Meaning	I/O	Description	Valid range	Unit	Default
DirName	Directory to save in	Input	Name of directory in which to save the backup data	64 bytes max. (63 single-byte alphanumeric characters plus the final NULL character)	---	"
Cancel	Cancel		Canceling the backup TRUE: Cancel FALSE: Do not cancel	Depends on data type.		FALSE
Option	For future expansion		This variable is for future expansion. It is not necessary to connect a parameter.	---		---
Canceled	Cancel completed	Output	A flag that indicates if canceling was completed TRUE: Canceling completed FALSE: Canceling failed	Depends on data type.	---	---

	Boolean	Bit strings				Integers							Real numbers		Times, durations, dates, and text strings					
	BOOL	BYTE	WORD	DWORD	LWORD	USINT	UINT	UDINT	ULINT	SINT	INT	DINT	LINT	REAL	LREAL	TIME	DATE	TOD	DT	STRING
DirName																				OK
Cancel	OK																			

	Boo lean	Bit strings				Integers							Real num- bers		Times, durations, dates, and text strings					
	BOOL	BYTE	WORD	DWORD	LWORD	USINT	UINT	UDINT	ULINT	SINT	INT	DINT	LINT	REAL	LREAL	TIME	DATE	TOD	DT	STRING
Option	For future expansion. It is not necessary to connect a parameter.																			
Canceled	OK																			

## Function

The BackupToMemoryCard instruction backs up data to an SD Memory Card.

This instruction performs the same processing as the processing that is performed for the front panel switch on the CPU Unit, the `_Card1BkupCmd` system-defined variable, or the SD Memory Card backup performed from the SD Memory Card Window on the Sysmac Studio.

Use *DirName* to specify the name of the directory in which to save the backup data.

If the value of *DirName* is "" (i.e., a text string with a length of 0 characters), the backup data is saved in the root directory of the SD Memory Card.

*DirName* can be omitted. If you omit *DirName*, data is saved as below.

Instruction execution	Directory to save in
1st execution	Root directory
2nd execution and beyond	The previously specified directory

If the directory specified with *DirName* does not exist in the SD Memory Card, a new directory is created and the backup data is saved in it.

If a file with the same name as the backup file already exists in the directory specified with *DirName*, the backup file is overwritten.

If the value of *Cancel* is changed to TRUE during backup processing, the backup processing is canceled.

If backup processing is canceled, the backup file will not be created.

If a backup file already exists in the directory specified with *DirName*, the backup file is not overwritten and remains unchanged.

You can cancel only the backup processing that is being executed for the same function block instance.

When the cancellation is completed, the value of *Canceled* changes to TRUE.

If the change of *Cancel* to TRUE is not completed in time, the value change for cancellation may not be received in time, and the backup process may be continued until completed. If the value change for cancellation is not received in time, the value of *Canceled* will be FALSE, and the value of *Done* will be TRUE.

If the value of *Cancel* is TRUE, backup processing is not performed even if the value of *Execute* is TRUE.

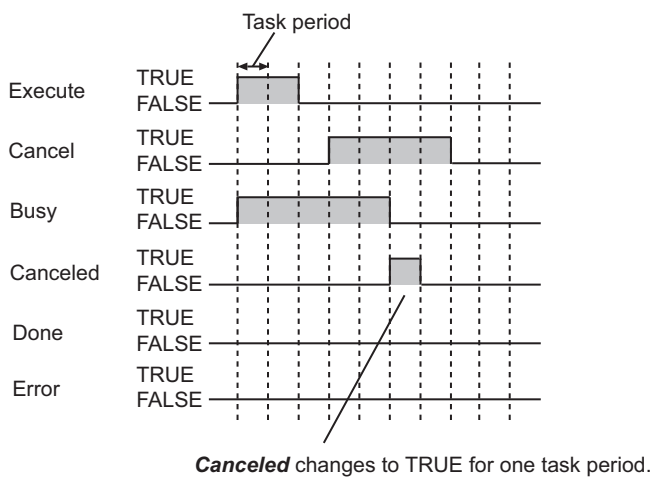
*Option* is for future expansion. Do not connect a parameter to it.

## Timing Chart for Canceling

Timing charts for the instruction variables are provided below for canceling.

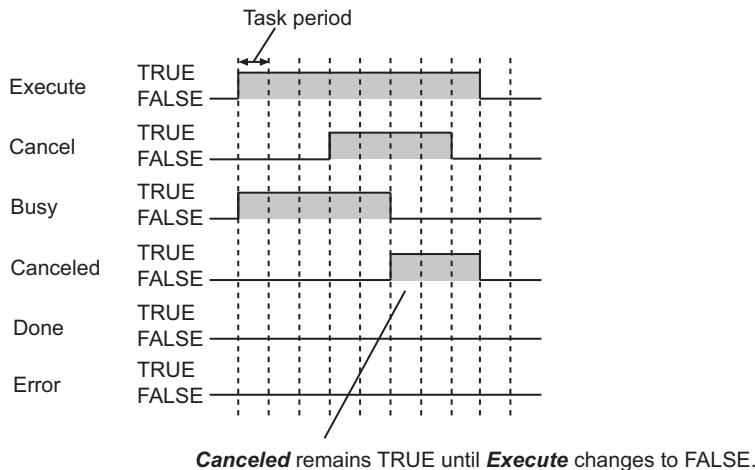
### ● To Change *Execute* to FALSE Before *Canceled* Changes to TRUE for a Successful Cancellation

- Backup processing is executed when *Execute* is changed to TRUE. The value of *Busy* changes to TRUE.
- Backup processing is canceled when *Cancel* is changed to TRUE.
- When the cancellation is completed, *Busy* changes to FALSE, and *Canceled* changes to TRUE.
- Change the value of *Execute* to FALSE before *Canceled* changes to TRUE.
- The value of *Canceled* changes to FALSE after one task period.
- Since the cancellation is successfully completed, *Done* remains FALSE.



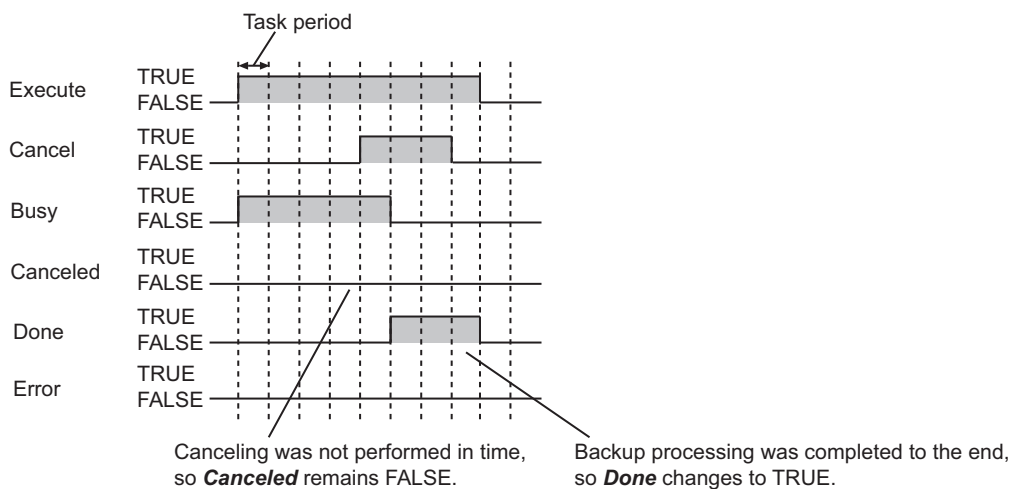
### ● To Change *Execute* to FALSE After *Canceled* Changes to TRUE for a Successful Cancellation

- Backup processing is executed when *Execute* is changed to TRUE. The value of *Busy* changes to TRUE.
- Backup processing is canceled when *Cancel* is changed to TRUE.
- When the cancellation is completed, *Busy* changes to FALSE, and *Canceled* changes to TRUE.
- Change the value of *Execute* to FALSE after *Canceled* changes to TRUE.
- The value of *Canceled* remains TRUE until *Execute* changes to FALSE.
- Since the cancellation is successfully completed, *Done* remains FALSE.



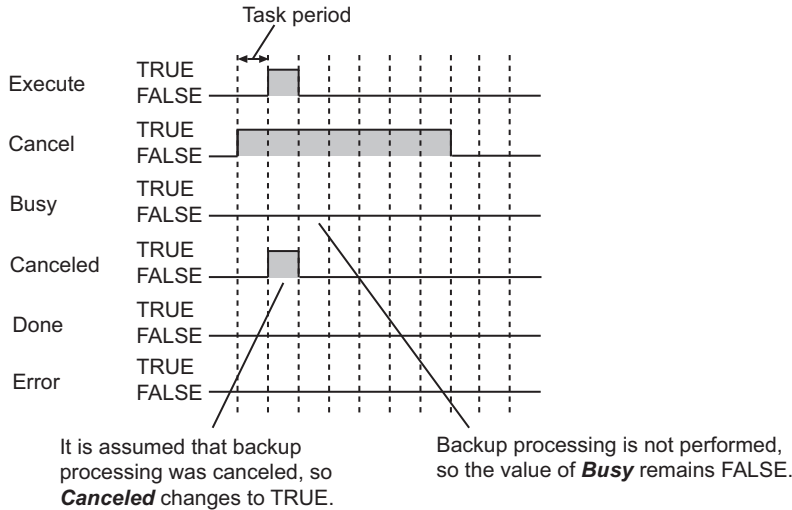
### ● When Canceling Is Not Performed in Time

- Backup processing is executed when *Execute* is changed to TRUE. The value of *Busy* changes to TRUE.
- The value of *Cancel* is changed to TRUE. The value change for cancellation is not received in time, and the backup process is continued.
- When the backup process is completed, the value of *Busy* changes to FALSE.
- The backup process was continued to the end, so the value of *Done* changes to TRUE.
- The cancellation was not received in time, so the value of *Canceled* remains FALSE.



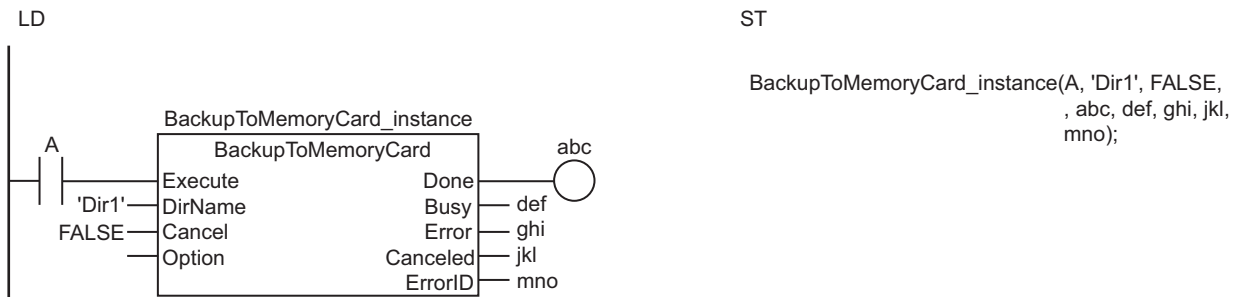
### ● To Change *Execute* to TRUE While *Cancel* Is TRUE

- Change the value of *Cancel* to TRUE.
- Backup processing is not executed even if *Execute* is changed to TRUE. Therefore, the value of *Busy* remains FALSE.
- It is assumed that backup processing was canceled, so *Canceled* changes to TRUE.
- If the value of *Execute* is changed to FALSE, *Canceled* changes to FALSE.



## Notation Example

The following figure shows a programming example. The backup file is saved in a directory called 'Dir1'.



## Related System-defined Variables

Name	Meaning	Data type	Description
_Card1Ready	SD Memory Card Ready Flag	BOOL	This flag indicates if the SD Memory Card can be accessed by instructions and communications commands. *1 TRUE: Can be used. FALSE: Cannot be used.
_Card1Protect	SD Memory Card Write Protected Flag	BOOL	This flag indicates if the SD Memory Card is write protected when it is inserted and ready to use. TRUE: Write protected. FALSE: Not write protected.
_Card1Err	SD Memory Card Error Flag	BOOL	This flag indicates if an SD Memory Card that cannot be used is mounted or if a format error occurs. TRUE: Error. FALSE: No error.
_Card1Access	SD Memory Card Access Flag	BOOL	This flag indicates if the SD Memory Card is currently being accessed. TRUE: Being accessed. FALSE: Not being accessed.



Name	Meaning	Data type	Description
_Card1Deteriorated	SD Memory Card Life Warning Flag <sup>*3</sup>	BOOL	This flag indicates if the end of the life of the SD Memory Card is detected. TRUE: End of life detected. FALSE: Not detected.
_Card1PowerFail	SD Memory Card Power Interruption Flag	BOOL	This flag indicates if an error occurred in completing processing when power was interrupted during access. <sup>*2</sup> This flag is not cleared automatically. TRUE: Error. FALSE: No error.
_BackupBusy	Backup Function Busy Flag	BOOL	This flag indicates if a backup, restoration, or verification is in progress. TRUE: Backup, restore, or compare operation is in progress. FALSE: Backup, restore, or compare operation is not in progress.

\*1. It is a precondition that the SD Memory Card is physically inserted and mounted normally.

\*2. This indicates an access to the SD Memory Card.

\*3. Combination of the CPU Unit version and SD Memory Card determines whether or not the SD Memory Card life expiration detection function can be used. Refer to *Specifications of Supported SD Memory Cards, Folders, and Files* in the *NJ/NX-series CPU Unit Software User's Manual (Cat. No. W501)* for details.

## Additional Information

- Refer to the *NJ/NX-series CPU Unit Software User's Manual (Cat. No. W501)* for details on the backup functions.
- The root directory of the file name is the top level of the SD Memory Card.

## Precautions for Correct Use

- Execution of this instruction is continued until completed even when the value of *Execute* changes to FALSE or the execution time exceeds the task period. The value of *Done* changes to TRUE when the execution is completed. Use this to confirm normal completion of processing.
- Refer to *Using this Section* on page 2-3 for a timing chart of *Execute*, *Done*, *Busy*, and *Error*.
- If a file is open and the SD Memory Card is removed before the SD Memory Card power supply switch is pressed, the contents of the file will sometimes be corrupted. Always turn OFF the power supply before removing the SD Memory Card.
- Even if data backup to the SD Memory Card is prohibited, you can execute this instruction to backup the data. No error will occur.
- The values of the following system-defined variables, which are related to backup, do not change when this instruction is executed.
  - a) SD Memory Card Backup Command: `_CardBkupCmd`
  - b) SD Memory Card Backup Status: `_Card1BkupSta`
- Do not read or write backup-related files during execution of this instruction. If you read a file that is being written, unexpected processing may occur.
- Backup processing will continue even if the operating mode of the CPU Unit is changed during execution of this instruction. If you change the operating mode from RUN mode to PROGRAM mode and then back to RUN mode, the value of *Busy* will be FALSE even if backup processing is in progress. If you cancel backup processing under that condition, the value of *Canceled* will change to TRUE.

- If the power supply to the Controller is turned OFF while this instruction is in execution, a major fault level error may occur when the power supply is turned ON next time.
- An error will occur in the following cases. *Error* will change to TRUE.
  - a) The SD Memory Card is not in a usable condition.
  - b) The SD Memory Card is write protected.
  - c) There is insufficient space available on the SD Memory Card.
  - d) The maximum number of files or directories is exceeded.
  - e) A file already exists with the name specified with *DirName*.
  - f) The value of *DirName* is not a valid directory name.
  - g) Another backup operation is already in progress.
  - h) Backup processing failed.
  - i) While the SD Memory Card is being accessed, an error occurs and causes an access failure.

### Sample Programming

In this example, the BackupToMemoryCard instruction backs up data to an SD Memory Card every day just after midnight.

The backup-related files are stored in directories named /Backup/yyyy-mm-dd in the SD Memory Card.

The directory name gives the date when the backup was executed.

"yyyy" is the year, "mm" is the month, and "dd" is the day of the month.

### Touch Panel Specifications

This example assumes that a touch panel is connected to the Controller.

The touch panel has the following lamps.

Lamp name	Description
Backup normal end lamp	Lights when backup processing ends normally.
Backup canceled lamp	Lights when backup processing is successfully canceled.
Backup error end lamp	Lights when backup processing ends in an error.
SD Memory Card life warning lamp	Lights when the life of the SD Memory Card was exceeded.
SD Memory Card power interrupted lamp	Lights when power to the SD Memory Card was interrupted during backup processing.

The touch panel also has the following buttons.

Button name	Operation when button is pressed
Lamps OFF button	Turns OFF the Backup Normal End Lamp, Backup Canceled Lamp, Backup Error End Lamp, and SD Memory Card Power Interrupted Lamp.
Cancel button	Cancels the backup.

## Definitions of Global Variables

### ● Global Variables

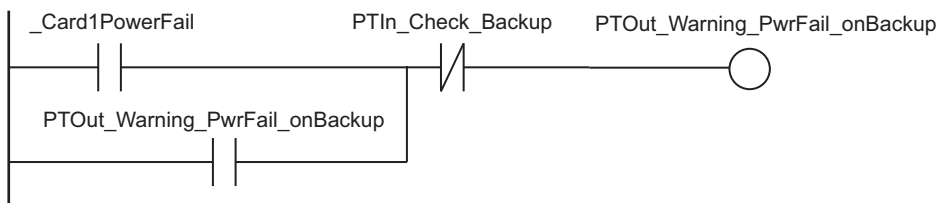
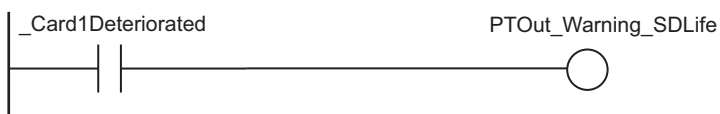
Variable	Data type	Initial value	Comment
PTOut_Warning_SDLife	BOOL	FALSE	Output to SD Memory Card life warning lamp
PTOut_Warning_PwrFail_onBackup	BOOL	FALSE	Output to SD Memory Card power interrupted lamp
PTOut_Done	BOOL	FALSE	Output to backup normal end lamp
PTOut_Cancel	BOOL	FALSE	Output to backup canceled lamp
PTOut_Error	BOOL	FALSE	Output to backup error end lamp
PTIn_Check_Backup	BOOL	FALSE	Input from lamps OFF button
PTIn_Cancel	BOOL	FALSE	Input from cancel button

## LD

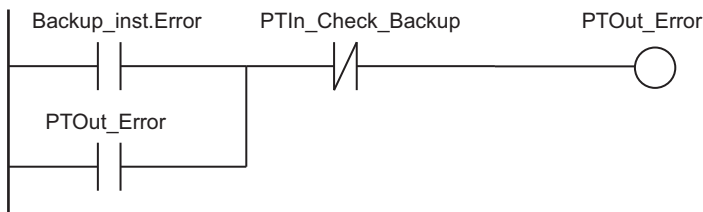
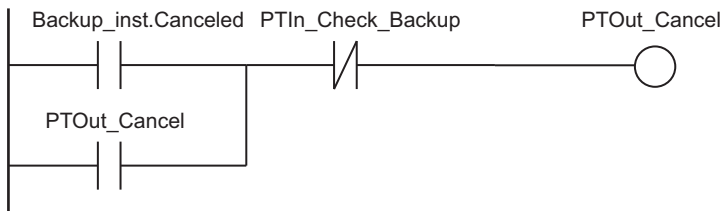
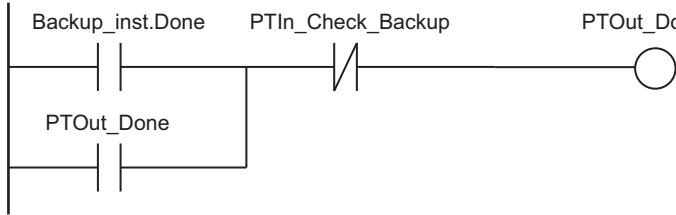
Internal Variables	Variable	Data type	Initial value	Comment
	CardOK	BOOL	FALSE	SD Memory Card Normal Flag
	Backup_inst	BackupToMemoryCard		Instance of BackupToMemoryCard instruction
	PreviousDay	USINT	0	Date of previous task period
	CurrentDT	DATE_AND_TIME	ST#1970-01-01-00:00:00.000000000	Current date and time
	Current_sDt	_sDT	(Year:=0, Month:=0, Day:=0, Hour:=0, Min:=0, Sec:=0, NSec:=0)	The current date and time separated into the year, month, day, hour, minutes, seconds, and nanoseconds.
	BackupCondition	BOOL	FALSE	Backup Condition Established Flag
	tmpString	STRING[256]	"	Temporary text string used when creating directory name
	tmpString2	STRING[256]	"	Temporary text string used when creating directory name
	BackupPath	STRING[64]	"	Directory name
	Cancel	BOOL	FALSE	Cancel Conditions Established Flag.

External Variables	Variable	Data type	Constant	Comment
	_Card1Ready	BOOL	☑	SD Memory Card Ready Flag
	_Card1Protect	BOOL	☑	SD Memory Card Write Protected Flag
	_Card1Err	BOOL	☑	SD Memory Card Error Flag
	_Card1Deteriorated	BOOL	☑	SD Memory Card Life Warning Flag
	_Card1PowerFail	BOOL	☐	SD Memory Card Power Interruption Flag
	_BackupBusy	BOOL	☑	Backup Function Busy Flag
	PTOut_Warning_SDLife	BOOL	☐	Output to SD Memory Card life warning lamp
	PTOut_Warning_PwrFail_on-Backup	BOOL	☐	Output to SD Memory Card power interrupted lamp
	PTOut_Done	BOOL	☐	Output to backup normal end lamp
	PTOut_Cancel	BOOL	☐	Output to backup canceled lamp
	PTOut_Error	BOOL	☐	Output to backup error end lamp
	PTIn_Check_Backup	BOOL	☐	Input from lamps OFF button
	PTIn_Cancel	BOOL	☐	Input from cancel button

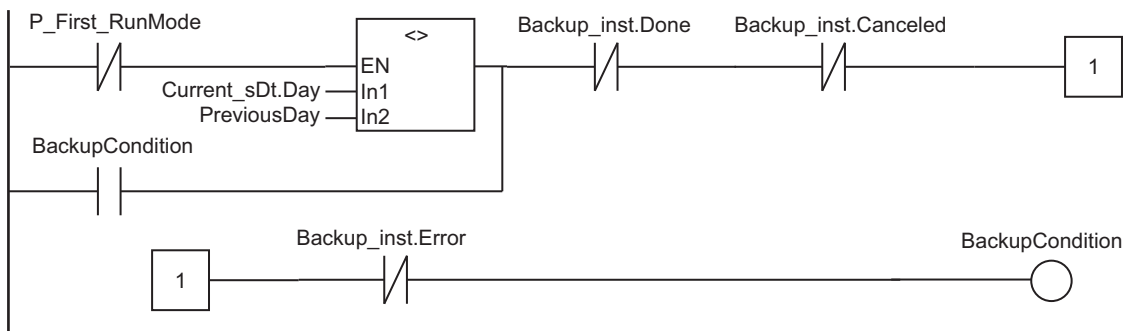
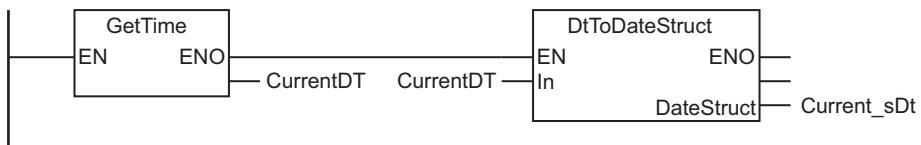
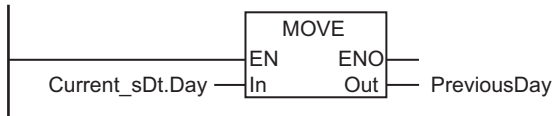
Check status of SD Memory Card.



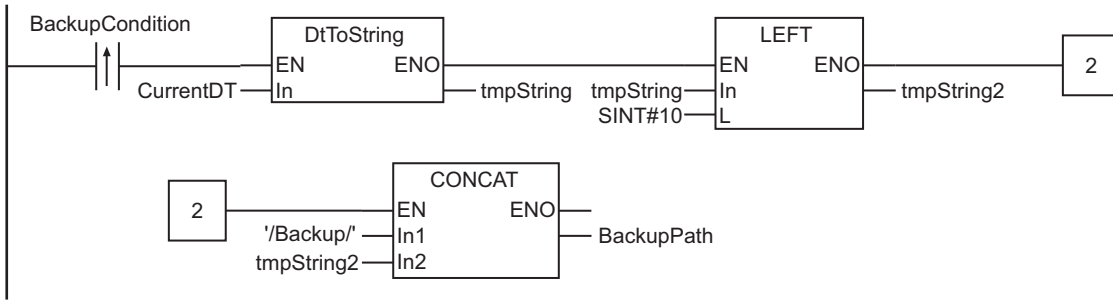
Light the Backup Normal End Lamp, Canceled Lamp, or Error End Lamp as required.



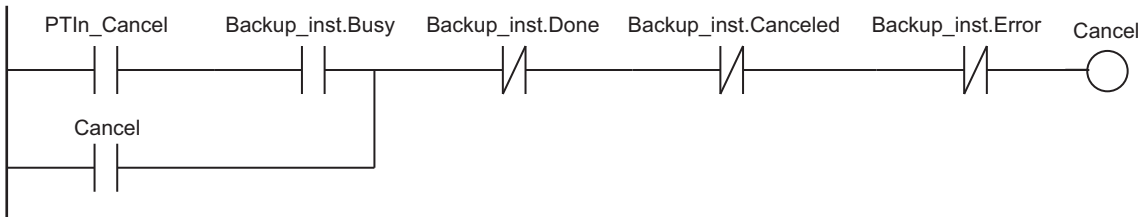
See if date has changed.



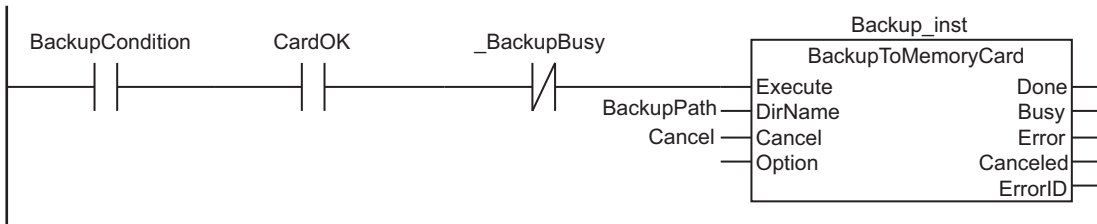
Create directory name.



Detect pressing of the Cancel Button.



Execute BackupToMemoryCard instruction.



**ST**

Internal Variables	Variable	Data type	Initial value	Comment
	CardOK	BOOL	FALSE	SD Memory Card Normal Flag
	Backup_inst	BackupToMemoryCard		Instance of BackupToMemoryCard instruction
	PreviousDay	USINT	0	Date of previous task period
	CurrentDT	DATE_AND_TIME	ST#1970-01-01-00:00:00.000000000	Current date and time
	Current_sDt	_sDT	(Year:=0, Month:=0, Day:=0, Hour:=0, Min:=0, Sec:=0, NSec:=0)	The current date and time separated into the year, month, day, hour, minutes, seconds, and nanoseconds.
	BackupCondition	BOOL	FALSE	Backup Condition Established Flag

Internal Variables	Variable	Data type	Initial value	Comment
	tmpString	STRING[256]	"	Temporary text string used when creating directory name
	tmpString2	STRING[256]	"	Temporary text string used when creating directory name
	BackupPath	STRING[64]	"	Directory name
	Cancel	BOOL	FALSE	Cancel Conditions Established Flag
	RS1	RS		Instance 1 of Reset-Priority Keep instruction
	RS2	RS		Instance 2 of Reset-Priority Keep instruction
	RS3	RS		Instance 3 of Reset-Priority Keep instruction
	RS4	RS		Instance 4 of Reset-Priority Keep instruction
	RS5	RS		Instance 5 of Reset-Priority Keep instruction
	RS6	RS		Instance 6 of Reset-Priority Keep instruction

External Variables	Variable	Data type	Constant	Comment
	_Card1Ready	BOOL	<input checked="" type="checkbox"/>	SD Memory Card Ready Flag
	_Card1Protect	BOOL	<input checked="" type="checkbox"/>	SD Memory Card Write Protected Flag
	_Card1Err	BOOL	<input checked="" type="checkbox"/>	SD Memory Card Error Flag
	_Card1Deteriorated	BOOL	<input checked="" type="checkbox"/>	SD Memory Card Life Warning Flag
	_Card1PowerFail	BOOL	<input type="checkbox"/>	SD Memory Card Power Interruption Flag
	_BackupBusy	BOOL	<input checked="" type="checkbox"/>	Backup Function Busy Flag
	PTOut_Warning_SDLife	BOOL	<input type="checkbox"/>	Output to SD Memory Card life warning lamp
	PTOut_Warning_PwrFail_on-Backup	BOOL	<input type="checkbox"/>	Output to SD Memory Card power interrupted lamp
	PTOut_Done	BOOL	<input type="checkbox"/>	Output to backup normal end lamp
	PTOut_Cancel	BOOL	<input type="checkbox"/>	Output to backup canceled lamp
	PTOut_Error	BOOL	<input type="checkbox"/>	Output to backup error end lamp
	PTIn_Check_Backup	BOOL	<input type="checkbox"/>	Input from lamps OFF button
	PTIn_Cancel	BOOL	<input type="checkbox"/>	Input from cancel button

```

// Check status of SD Memory Card.
CardOK := _Card1Ready OR NOT(_Card1Protect) OR NOT(_Card1Err);
PTOut_Warning_SDCardLife := _Card1Deteriorated;
RS1(Set := _Card1PowerFail, Reset1 := PTIn_Check_Backup, Q1=>PTOut_Warning_PwrFail_
onBackup);

// Light the Backup Normal End Lamp, Canceled Lamp, or Error End Lamp as required.
RS2(Set := Backup_inst.Done,
Reset1 := PTIn_Check_Backup,
Q1 => PTOut_Done);
RS3(Set := Backup_inst.Canceled,
Reset1 := PTIn_Check_Backup,
Q1 => PTOut_Cancel);
RS4(Set := Backup_inst.Error,
Reset1 := PTIn_Check_Backup,
Q1 => PTOut_Error);

// See if date has changed.
PreviousDay := Current_sDT.Day;
CurrentDT:=GetTime();
DtToDateStruct(In := CurrentDT,DateStruct=>Current_sDT);
RS5(Set := ( NOT (P_First_RunMode) & (Current_sDT.Day<>PreviousDay),
Reset1 := (Backup_inst.Done OR Backup_inst.Canceled OR Backup_inst.Error),
Q1 => BackupCondition);

// Create directory name.
IF(BackupCondition) THEN
BackupPath := CONCAT('/Backup/', Left(In:= DtToString(CurrentDT), L:=SINT#10));
END_IF;

// Detect pressing of the Cancel Button.
RS6(Set := (PTIn_Cancel &Backup_inst.Busy),
Reset1 := (Backup_inst.Done OR Backup_inst.Canceled OR Backup_inst.Error),
Q1 => Cancel);

// Execute BackupToMemoryCard instruction.
Backup_inst(Execute := (BackupCondition & CardOK & NOT (_BackupBusy)),
DirName := BackupPath,
Cancel := Cancel);

```



# Time Stamp Instructions

Instruction	Name	Page
NX_DOutTimeStamp	Write Digital Output with Specified Time Stamp	page 2-1584
NX_AryDOOutTimeStamp	Write Digital Output Array with Specified Time Stamp	page 2-1590

# NX\_DOutTimeStamp

The NX\_DOutTimeStamp instruction writes a value to the output bit of a Digital Output Unit that supports time stamp refreshing.

Instruction	Name	FB/ FUN	Graphic expression	ST expression
NX_DOutTimeStamp	Write Digital Output with Specified Time Stamp	FB		NX_DOutTimeStamp_instance( Enable, SetDOut, SetTimeStamp, SyncOutTime, DOut, TimeStamp);



## Version Information

A CPU Unit with unit version 1.06 or later and Sysmac Studio version 1.07 or higher are required to use this instruction.

## Variables

	Meaning	I/O	Description	Valid range	Unit	Default
Enable	Enable	Input	TRUE: Value of <i>SetDOut</i> is output. FALSE: Output changes to FALSE when this variable changes to FALSE.	Depends on data type.	---	FALSE
SetDOut	Output value		Output value			
SetTimeStamp	Specified time stamp		Time to output value		0	
SyncOutTime	Time stamp of synchronous output		The <i>Time Stamp of Synchronous Output</i> device variable of the EtherCAT Coupler Unit or an NX Unit on the CPU Unit		ns	*1
DOut	DOut Unit output bit	In-out	The <i>Output Bit</i> ** device variable of the Digital Output Unit that supports time stamp refreshing	Depends on data type.	---	---
TimeStamp	Time stamp		The <i>Output Bit</i> ** <i>Time Stamp</i> device variable of the Digital Output Unit that supports time stamp refreshing		ns	

\*1. If you omit the input parameter, the default value is not applied. A building error will occur.

	Boo lean	Bit strings					Integers							Real num- bers		Times, durations, dates, and text strings				
	BOOL	BYTE	WORD	DWORD	LWORD	USINT	UINT	UDINT	ULINT	SINT	INT	DINT	LINT	REAL	LREAL	TIME	DATE	TOD	DT	STRING
Enable	OK																			
SetDOut	OK																			
SetTimeS- tamp									OK											
SyncOut- Time									OK											
DOut	OK																			
TimeStamp									OK											

## Function

When the value of *Enable* is TRUE, the NX\_DOutTimeStamp instruction writes *SetDOut* (Output value) at the specified time to the output bit of a Digital Output Unit that supports time stamp refreshing. When *Enable* changes to FALSE, the value of the output bit changes to FALSE from the next task period.

The time difference between the specified time and the output time is  $\pm 1 \mu\text{s}$  max.

*SyncOutTime* (Time stamp of synchronous output) is based on the clock information in the EtherCAT Coupler Unit or NX Unit connected to the NX bus on the CPU Unit under which the Digital Output Unit that supports time stamp refreshing is connected.

Specify the *Time Stamp of Synchronous Output* device variable of the EtherCAT Coupler Unit or NX Unit connected to the NX bus on the CPU Unit under which the Digital Output Unit is connected. However, you must add 0x200A:02 (Time Stamp of Synchronous Output) to the I/O entries for the EtherCAT Coupler Unit.

Specify *DOut* (DOut Unit output bit) with the *Output Bit \*\** device variable that is assigned to the output bit of the Digital Output Unit that supports time stamp refreshing.

Specify *TimeStamp* with the *Output Bit \*\* Time Stamp* device variable that is assigned to the output bit time stamp of the Digital Output Unit that supports time stamp refreshing.

## Specifying the Output Time

Use the following procedure to specify the output time.

- 1** Get the device variable that is assigned to the clock information that is to serve as the reference time for the Unit bit.
- 2** Calculate the difference between the obtained clock information and the time to write the data to the output bit in nanoseconds, and add it to the device variable from step 1.
- 3** Pass the result of the addition to *SetTimeStamp* (Specified time stamp) in the NX\_DOutTimeS-tamp instruction.

For details, refer to *Sample Programming* on page 2-1586 for this instruction.

## Precautions for Correct Use

- You can execute this instruction only for a Digital Output Unit that supports time stamp refreshing. However, an error will not occur even if you execute this instruction when no Digital Output Unit that supports time stamp refreshing is connected.
- If an EtherCAT communications error occurs or if the task period is exceeded, writing may not occur at the specified time. In this case, the value is output in the next task period or later.
- If any device variables used for this instruction are modified or accessed for any other instruction or program, perform exclusive control.
- Specify *SyncOutTime* with the *Time Stamp of Synchronous Output* device variable of the EtherCAT Coupler Unit or NX Unit connected to the NX bus on the CPU Unit, to which the Digital Output Unit that supports time stamp refreshing is connected. However, an error will not occur even if another variable is specified.
- Specify *DOut* and *TimeStamp* with the device variables of the Digital Output Unit that supports time stamp refreshing. However, an error will not occur even if another variable is specified.
- Specify *DOut* and *TimeStamp* with the device variables for the same channel of the same Unit. However, an error will not occur even if another variable is specified.
- If the value of *TimeStamp* is set as a time in the past, the value of *TimeStamp* becomes 0. In this case, the output of the Digital Output Unit that supports time stamp refreshing is immediately refreshed.

Refer to the *NX-series Digital I/O Units User's Manual (Cat. No. W521)* for more details.

## Sample Programming

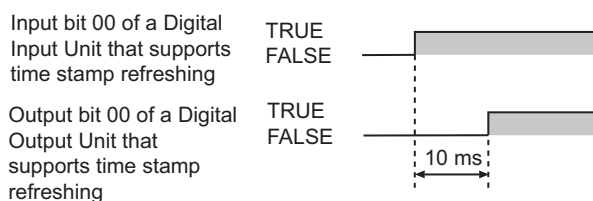
In this sample, 10 ms after the value of input bit 00 of a Digital Input Unit that supports time stamp refreshing changes to TRUE, output bit 00 of a Digital Output Unit that supports time stamp refreshing changes to TRUE.

It is assumed that the value of input bit 00 is TRUE for a longer period than the I/O refresh period of the NX bus.

A change to TRUE in input bit 00 is used as the input trigger in this sample.

If the value of input bit 00 is TRUE for a shorter period than the I/O refresh period of the NX bus, the change to TRUE in input bit 00 may not be detected. To solve this problem, for example, you could change the programming to use input changed time of input bit 00 as the input trigger.

Refer to the *NX-series Digital I/O Units User's Manual (Cat. No. W521)* for sample programming that turns ON an output when a specified time period expires after a change in a sensor input.



## Network Configuration

The network is configured with Units in the table below. A Slave Terminal configured with the following Units is connected at EtherCAT node address 1. The Units are assigned the device names as shown in the table.

Unit number	Model number	Unit	Device name
0	NX-ECC201	EtherCAT Coupler Unit	E001
1	NX-ID3344	Digital Input Unit that supports time stamp refreshing	N1
2	NX-OD2154	Digital Output Unit that supports time stamp refreshing	N2

## Unit Operation Settings

The Unit operation settings of the Digital Input Unit that supports time stamp refreshing are given in the following table.

Item	Set value	Meaning
Time Stamp (Trigger Setting): Input Bit 00 Trigger Setting	FALSE	Edge to read input changed time: Rising edge
Time Stamp (Mode Setting): Input Bit 00 Mode Setting	TRUE	Operating mode to read input changed time: One-shot (First changed time)

## I/O Map

The following I/O map settings are used.

Position	Port	Description	R/W	Data type	Variable	Variable type
Node1	Time Stamp of Synchronous Output	Contains the time stamp for the timing of synchronous outputs from the connected NX Unit. (Unit: ns)	R	ULINT	E001_Time_Stamp_of_Synchronous_Output	Global variable
Unit1	Input Bit 00	Input bit 00	R	BOOL	N1_Input_Bit_00	Global variable
Unit1	Input Bit 00 Time Stamp	Input changed time for input bit 00	R	ULINT	N1_Input_Bit_00_Time_Stamp	Global variable
Unit2	Output Bit 00 Time Stamp	Specified time for output bit 00	W	ULINT	N2_Output_Bit_00_Time_Stamp	Global variable
Unit2	Output Bit 00	Output bit 00	W	BOOL	N2_Output_Bit_00	Global variable

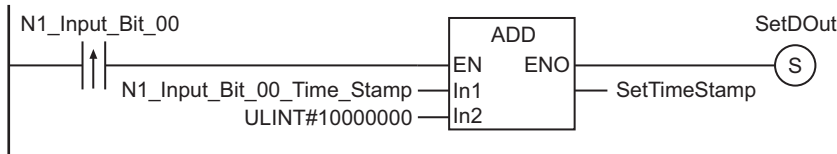
## LD

Internal Variables	Variable	Data type	Initial value	Comment
	SetTimeStamp	ULINT	0	Specified time stamp

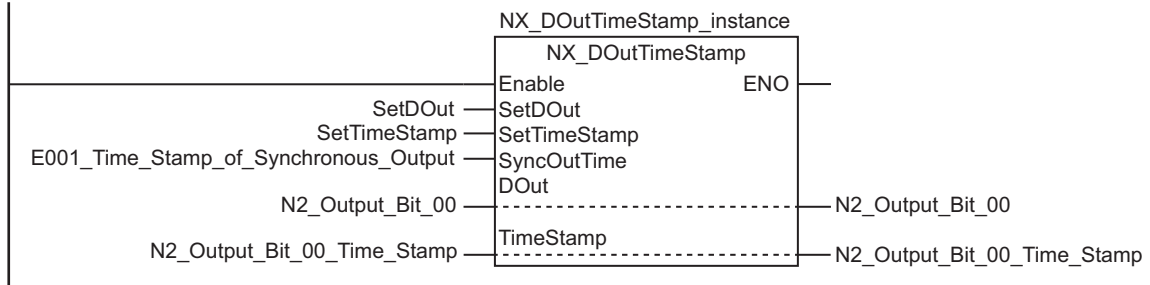
Internal Variables	Variable	Data type	Initial value	Comment
	SetDOut	BOOL	FALSE	Output value
	NX_DOutTimeStamp_instance	NX_DOutTimeStamp		

External Variables	Variable	Data type	Constant	Comment
	N1_Input_Bit_00	BOOL	<input type="checkbox"/>	Input bit 00
	N1_Input_Bit_00_Time_Stamp	ULINT	<input type="checkbox"/>	Input changed time for input bit 00
	E001_Time_Stamp_of_Synchronous_Output	ULINT	<input type="checkbox"/>	Time stamp for the timing of synchronous outputs from the connected NX Unit
	N2_Output_Bit_00	BOOL	<input type="checkbox"/>	Output bit 00
	N2_Output_Bit_00_Time_Stamp	ULINT	<input type="checkbox"/>	Specified time for output bit 00

Specify the output time stamp.



Output



## ST

Internal Variables	Variable	Data type	Initial value	Comment
	SetEN	BOOL	FALSE	Execution condition
	SetTimeStamp	ULINT	0	Specified time stamp
	SetDOut	BOOL	FALSE	Output Value
	R_TRIG_instance	R_TRIG		
	NX_DOutTimeStamp_instance	NX_DOutTimeStamp		

External Variables	Variable	Data type	Constant	Comment
	N1_Input_Bit_00	BOOL	<input type="checkbox"/>	Input bit 00
	N1_Input_Bit_00_Time_Stamp	ULINT	<input type="checkbox"/>	Input changed time for input bit 00
	E001_Time_Stamp_of_Synchronous_Output	ULINT	<input type="checkbox"/>	Time stamp for the timing of synchronous outputs from the connected NX Unit
	N2_Output_Bit_00	BOOL	<input type="checkbox"/>	Output bit 00
	N2_Output_Bit_00_Time_Stamp	ULINT	<input type="checkbox"/>	Specified time for output bit 00

```

// Execution trigger input
R_TRIG_instance( N1_Input_Bit_00, SetEN);
// Specify the output time stamp.
IF ( SetEN = TRUE ) THEN
SetDOut := TRUE;
SetTimeStamp := N1_Input_Bit_00_Time_Stamp + ULINT#10000000;
END_IF;
// Output
NX_DOutTimeStamp_instance(
Enable := TRUE,
SetDOut := SetDOut,
SetTimeStamp := SetTimeStamp,
SyncOutTime := E001_Time_Stamp_of_Synchronous_Output,
DOut := N2_Output_Bit_00,
TimeStamp := N2_Output_Bit_00_Time_Stamp);

```

# NX\_AryDOOutTimeStamp

The NX\_AryDOOutTimeStamp instruction outputs pulses from a Digital Output Unit that supports time stamp refreshing.

Instruction	Name	FB/ FUN	Graphic expression	ST expression
NX_AryDOOut- TimeStamp	Write Digital Output Array with Specified Time Stamp	FB		NX_AryDOOutTimeStamp_in- stance(Enable, SetDOut, Syn- cOutTime, DOut, TimeStamp);



## Version Information

A CPU Unit with unit version 1.06 or later and Sysmac Studio version 1.07 or higher are required to use this instruction.

## Variables

	Meaning	I/O	Description	Valid range	Unit	Default
Enable	Enable	Input	TRUE: Output changes according to the setting of <i>SetDOut</i> . FALSE: Output changes to FALSE when this variable changes to FALSE.	Depends on data type.	---	FALSE
SyncOut-Time	Time stamp of synchronous output		The <i>Time Stamp of Synchronous Output</i> device variable of the EtherCAT Coupler Unit or an NX Unit on the CPU Unit		ns	*1
SetDOut	Output pulses	In-out	Output pulses	Depends on data type.	---	---
DOut	DOut Unit output bit		The <i>Output Bit</i> ** device variable of the Digital Output Unit that supports time stamp refreshing		---	---
TimeStamp	Time stamp		The <i>Output Bit</i> ** <i>Time Stamp</i> device variable of the Digital Output Unit that supports time stamp refreshing		ns	---

\*1. If you omit the input parameter, the default value is not applied. A building error will occur.



	Boo lean	Bit strings				Integers							Real num- bers		Times, durations, dates, and text strings					
	BOOL	BYTE	WORD	DWORD	LWORD	USINT	UINT	UDINT	ULINT	SINT	INT	DINT	LINT	REAL	LREAL	TIME	DATE	TOD	DT	STRING
Enable	OK																			
SyncOut- Time									OK											
SetDOut	Refer to <i>Specifying the Output Pulses</i> on page 2-1592 for details on the structure <code>_sOUTPUT_REF</code> .																			
DOut	OK																			
TimeStamp									OK											

## Function

When the value of *Enable* is TRUE, the NX\_AryDOutTimeStamp instruction outputs pulses set with *SetDOut* (Output pulses) at the specified time from a Digital Output Unit that supports time stamp refreshing.

When the value of *Enable* changes to FALSE, the NX\_AryDOutTimeStamp instruction outputs FALSE to the Digital Output Unit that supports time stamp refreshing.

The time difference between the specified time and the output time is  $\pm 1 \mu\text{s}$  max.

*SyncOutTime* (Time stamp of synchronous output) is based on the clock information in the EtherCAT Coupler Unit or NX Unit connected to the NX bus on the CPU Unit under which the Digital Output Unit that supports time stamp refreshing is connected.

Specify the *Time Stamp of Synchronous Output* device variable of the EtherCAT Coupler Unit or NX Unit connected to the NX bus on the CPU Unit under which the Digital Output Unit is connected. However, you must add 0x200A:02 (Time Stamp of Synchronous Output) to the I/O entries for the EtherCAT Coupler Unit.

Specify *DOut* (DOut Unit output bit) with the *Output Bit \*\** device variable that is assigned to the output bit of the Digital Output Unit that supports time stamp refreshing.

Specify *TimeStamp* with the *Output Bit \*\* Time Stamp* device variable that is assigned to the output bit time stamp of the Digital Output Unit that supports time stamp refreshing.

## Specifying the Output Time

Use the following procedure to specify the output time.

- 1** Get the device variable that is assigned to the clock information that is to serve as the reference time for the Unit bit.
- 2** Calculate the difference between the obtained clock information and the time to turn ON the output bit in nanoseconds, and add it to the device variable from step 1.
- 3** Pass the result of the addition to `SetDOut.OnTime[]` in the NX\_AryDOutTimeStamp instruction.

- 4 In the same way as in step 2, calculate the difference between the obtained clock information and the time to turn OFF the output bit in nanoseconds, and add it to the device variable from step 1.
- 5 Pass the result of the addition to SetDOut.OffTime[] in the NX\_AryDOutTimeStamp instruction.

## Specifying the Output Pulses

The data type of the *SetDOut* output pulse is structure `_sOUTPUT_REF`. The specifications are as follows:

Name	Meaning	Description	Data type	Valid range	Unit	Default
SetDOut	Output pulses	Output pulses	<code>_sOUTPUT_REF</code>	---	---	---
EnableOut	Output enable	Output enable flag TRUE: Enable <i>OnTime</i> and <i>OffTime</i> settings. FALSE: Disable <i>OnTime</i> and <i>OffTime</i> settings.	BOOL	Depends on data type.	---	FALSE
OnTime[] array	ON times	Times at which to turn ON the output bit	ARRAY[0..15] OF ULINT		ns	0 for all the elements
OffTime[] array	OFF times	Times at which to turn OFF the output bit	ARRAY[0..15] OF ULINT			

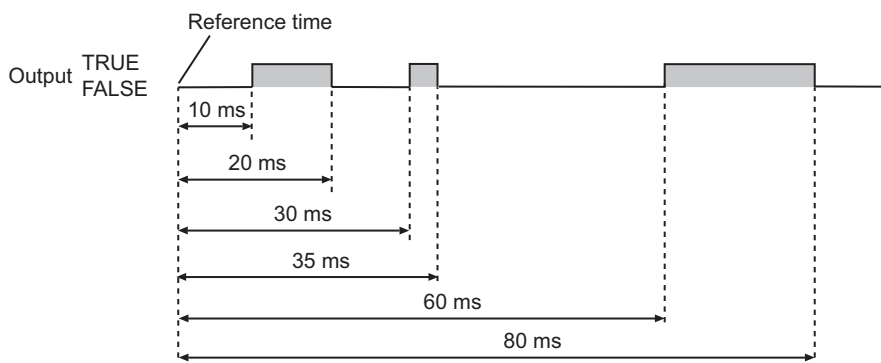
The OnTime[] (ON times) and OffTime[] (OFF times) arrays each have 16 elements.

Each corresponding element of the two arrays represents the ON time and OFF time for one pulse. Accordingly, you can specify up to 16 pulses with the array elements.

If both arrays have 0 at the same element number, the values of all of the subsequent elements are invalid.

For example, the figure below shows the output operation with the following values for the elements of OnTime[] and OffTime[]. The times specified in the following table indicate the number of milliseconds after the reference time.

Name	Element numbers				
	0	1	2	3	4
OnTime[]	10 ms later	30 ms later	60 ms later	0	90 ms later
OffTime[]	20 ms later	35 ms later	80 ms later	0	100 ms later



The values of the elements of OnTime[] and OffTime[] do not need to be in chronological order. For example, the output operation for the following values of the elements of OnTime[] and OffTime[] would be the same as the one shown above.

Name	Element numbers				
	0	1	2	3	4
OnTime[]	30 ms later	60 ms later	10 ms later	0	90 ms later
OffTime[]	35 ms later	80 ms later	20 ms later	0	100 ms later

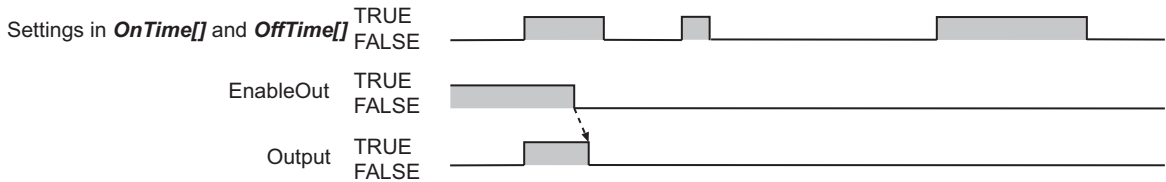
● **EnableOut (Output Enable)**

EnableOut (Output enable) enables the settings in OnTime[] and OffTime[].

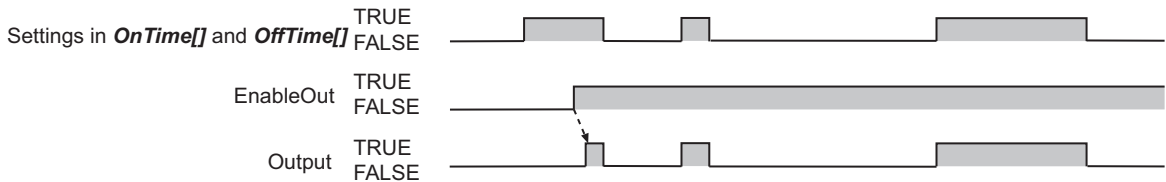
If the value of EnableOut is FALSE, the output value is FALSE regardless of the values in OnTime[] and OffTime[].

You can change the value of EnableOut during execution of the instruction.

When the value of EnableOut changes to FALSE, the output value changes to FALSE.



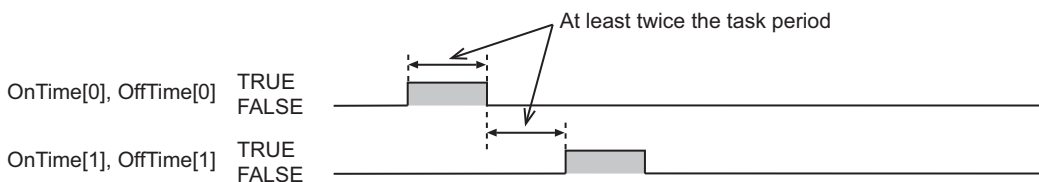
When the value of EnableOut changes to TRUE, the values in OnTime[] and OffTime[] are enabled.



● **Minimum Output Pulse Width**

To output pulses with a time accuracy of 1 μs, set each of the interval between OnTime[] and OffTime[] to at least twice the task period.

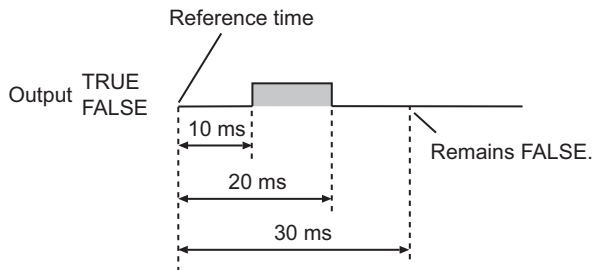
If the interval is less than two task periods, pulse output may not be performed as specified or may be delayed by one task period for the specified ON/OFF time.



● **When OnTime[] and OffTime[] contain the Same Value for the Same Element Number**

If OnTime[] and OffTime[] contain the same value at the same element number, the output will be FALSE. The figure below shows the output operation with the following values for the elements of the two arrays.

Name	Element numbers		
	0	1	2
OnTime[]	10 ms later	30 ms later	0
OffTime[]	20 ms later	30 ms later	0



### ● When the Value of an Element in OnTime[] Is Larger Than That of OffTime[]

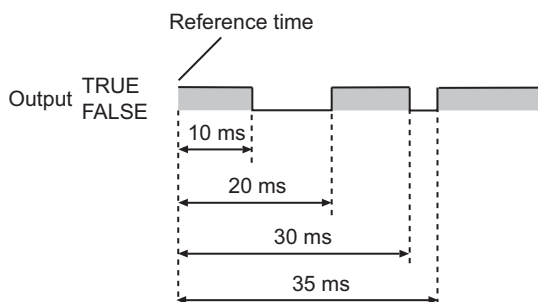
If the value of an element in OnTime[] is larger than that of the corresponding element of OffTime[], the output will change to FALSE and then back to TRUE.

If the lowest value of the elements of OnTime[] is larger than the lowest value of the elements of OffTime[], the output will change to TRUE immediately after execution of this instruction.

Also, if the highest value of the elements of OnTime[] is larger than the highest value of the elements of OffTime[], the output value will remain TRUE after execution of this instruction.

The figure below shows the output operation with the following values for the elements of the two arrays.

Name	Element numbers		
	0	1	2
OnTime[]	20 ms later	35 ms later	0
OffTime[]	10 ms later	30 ms later	0

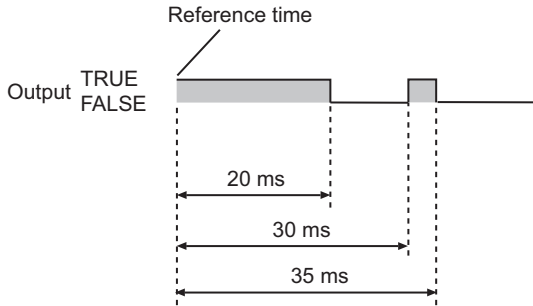


### ● When the Value of One Element in Either OnTime[] or OffTime[] Is 0

If the value of an element in either OnTime[] or OffTime[] is 0, the output will change to TRUE or FALSE immediately after execution of the instruction.

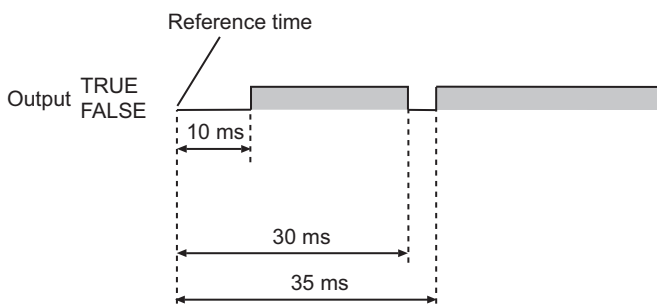
If an array element of OnTime[] is 0, the output will change to TRUE immediately after execution of the instruction. The figure below shows the output operation with the following values for the elements of the two arrays.

Name	Element numbers		
	0	1	2
OnTime[]	0	30 ms later	0
OffTime[]	20 ms later	35 ms later	0



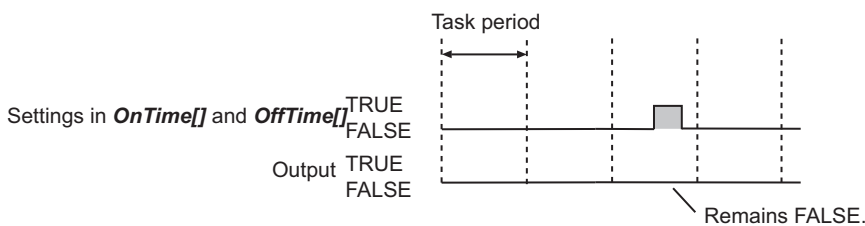
If an array element of OffTime[] is 0, the output will change to FALSE immediately after execution of the instruction. The figure below shows the output operation with the following values for the elements of the two arrays.

Name	Element numbers		
	0	1	2
OnTime[]	10 ms later	35 ms later	0
OffTime[]	0	30 ms later	0



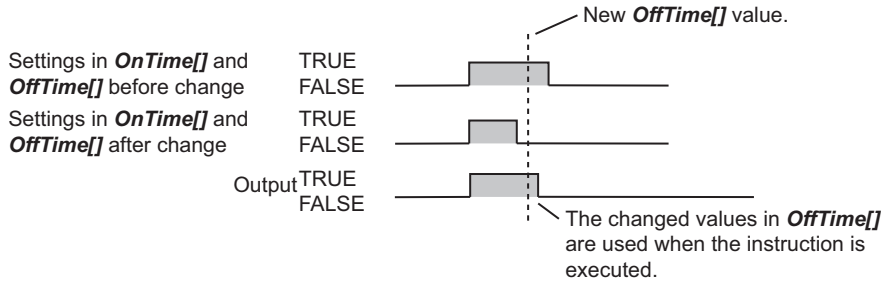
● **When the Output is Set to TRUE and Back to FALSE within One Task Period**

If the output is set to TRUE for one setting and back to FALSE for another setting within one task period, the value of the output will not change.



● **Changing the Values in OnTime[] or OffTime[] While the Instruction Is Enabled**

You can change the values in OnTime[] and OffTime[] while the instruction is enabled. The changes will become valid the next time the instruction is executed.



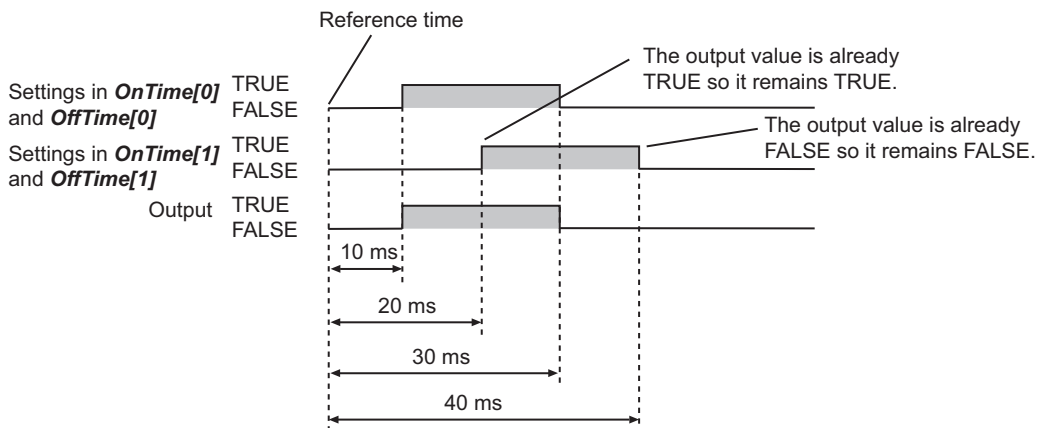
● **Overlapping TRUE Settings for an Output Value**

If TRUE settings for an output value overlap, an error will not occur and the output value will remain TRUE.

The same logic applies when the FALSE settings for an output value overlap.

The figure below shows the output operation with the following values for the elements of the two arrays.

Name	Element numbers		
	0	1	2
<i>OnTime[]</i>	10 ms later	20 ms later	0
<i>OffTime[]</i>	30 ms later	40 ms later	0

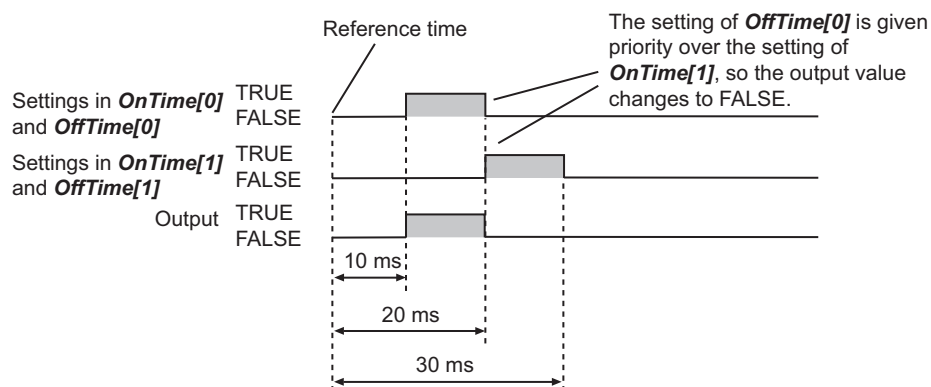


● **Simultaneous TRUE and FALSE Settings for an Output Value**

If there are TRUE and FALSE settings at the same time for an output value, an error will not occur and the setting for the element in *OnTime[]* and *OffTime[]* with the lower element number is given priority.

The figure below shows the output operation with the following values for the elements of the two arrays.

Name	Element numbers		
	0	1	2
<i>OnTime[]</i>	10 ms later	20 ms later	0
<i>OffTime[]</i>	20 ms later	30 ms later	0



## Additional Information

This instruction is used with the MC\_DigitalCamSwitch instruction.

Refer to the *NJ/NX-series Motion Control Instructions Reference Manual (Cat. No. W508)* for the detailed specifications of the MC\_DigitalCamSwitch instruction.

## Precautions for Correct Use

- You can execute this instruction only for a Digital Output Unit that supports time stamp refreshing. However, an error will not occur even if you execute this instruction when no Digital Output Unit that supports time stamp refreshing is connected.
- If an EtherCAT communications error occurs or if the task period is exceeded, the output may not occur at the specified time. In this case, the value is output in the next task period or later.
- If any device variables used for this instruction are modified or accessed for any other instruction or program, perform exclusive control.
- Specify *SyncOutTime* with the *Time Stamp of Synchronous Output* device variable of the EtherCAT Coupler Unit or NX Unit connected to the NX bus on the CPU Unit, to which the Digital Output Unit that supports time stamp refreshing is connected. However, an error will not occur even if another variable is specified.
- Specify *DOut* and *TimeStamp* with the device variables of the Digital Output Unit that supports time stamp refreshing. However, an error will not occur even if another variable is specified.
- Specify *DOut* and *TimeStamp* with the device variables for the same channel of the same Unit. However, an error will not occur even if another variable is specified.
- If the value of *TimeStamp* is set as a time in the past, the value of *TimeStamp* becomes 0. In this case, the output of the Digital Output Unit that supports time stamp refreshing is immediately refreshed.

Refer to the *NX-series Digital I/O Units User's Manual (Cat. No. W521)* for more details.

## Sample Programming

For sample programming, refer to the MC\_DigitalCamSwitch instruction in the *NJ/NX-series Motion Control Instructions Reference Manual (Cat. No. W508)*.



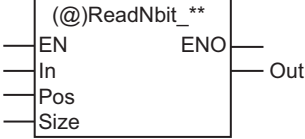


## Other Instructions

Instruction	Name	Page
ReadNbit_**	N-bit Read Group	page 2-1600
WriteNbit_**	N-bit Write Group	page 2-1602
ChkRange	Check Subrange Variable	page 2-1604
GetMyTaskStatus	Read Current Task Status	page 2-1607
GetMyTaskInterval	Read Current Task Period	page 2-1610
Task_IsActive	Determine Task Status	page 2-1612
Lock and Unlock	Lock Tasks/Unlock Tasks	page 2-1614
ActEventTask	Activate Event Task	page 2-1620
Get**Clk	Get Clock Pulse Group	page 2-1627
Get**Cnt	Get Incrementing Free-running Counter Group	page 2-1629
GetPrgHashCode	Get Program Hash Code	page 2-1631

# ReadNbit\_\*\*

The ReadNbit\_\*\* instructions read zero or more bits from a bit string.

Instruction	Name	FB/ FUN	Graphic expression	ST expression
ReadNbit_**	N-bit Read Group	FUN	 <p>**** must be a bit string data type.</p>	Out:=ReadNbit_**(In, Pos, Size); "****" must be a bit string data type.

## Variables

	Meaning	I/O	Description	Valid range	Unit	Default
In	Read source	Input	Bit string to read	Depends on data type.	---	0
Pos	Read position		Bit position to read	0 to No. of bits in <i>In</i> - 1		
Size	Read size		Number of bits to read	0 to No. of bits in <i>In</i>		
Out	Read result	Output	Read result	Depends on data type.	---	---

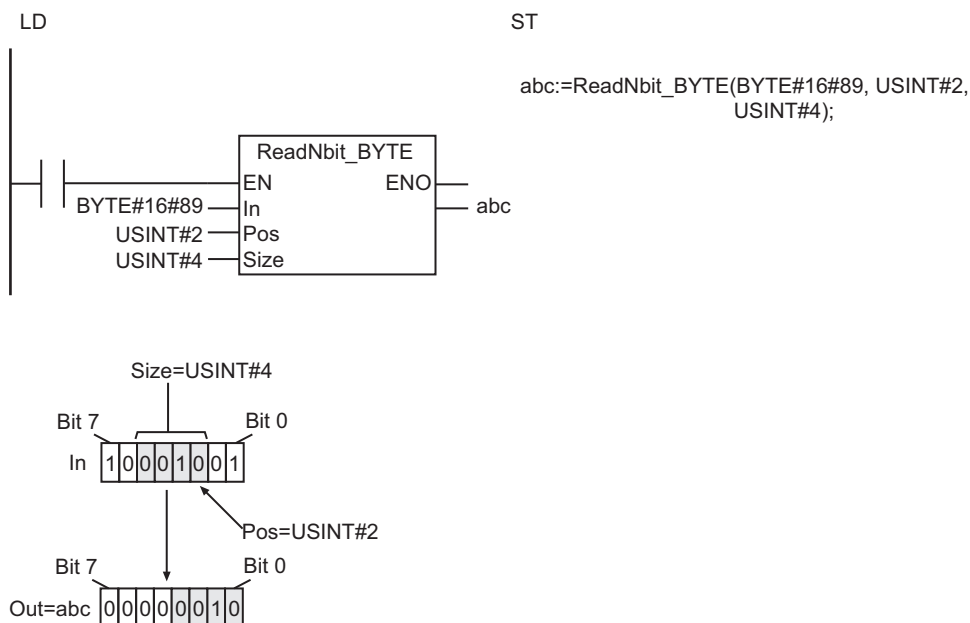
	Boo lean	Bit strings					Integers							Real num- bers		Times, durations, dates, and text strings				
	BOOL	BYTE	WORD	DWORD	LWORD	USINT	UINT	UDINT	ULINT	SINT	INT	DINT	LINT	REAL	LREAL	TIME	DATE	TOD	DT	STRING
In		OK	OK	OK	OK															
Pos						OK														
Size						OK														
Out	Must be same data type as <i>In</i>																			

## Function

The ReadNbit\_\*\* instruction reads the values of the upper *Size* bits from *Pos* (read position) in *In* (read source), and then assigns the values to *Out* (read result).

The name of the instruction is determined by the data type of *In* and *Out*. For example, if *In* and *Out* are both WORD data, the name of the instruction is ReadNbit\_WORD.

The following example shows the ReadNbit\_BYTE instruction when *In* is BYTE#16#89, *Pos* is USINT#2 and *Size* is USINT#4.



## Additional Information

Use the instruction, *WriteNbit\_\*\** on page 2-1602, to write zero or more bits to a bit string.

## Precautions for Correct Use

- The data types of *In* and *Out* must be the same.
- If the value of *Size* is 0, the value of *Out* is 16#0.
- An error will occur in the following cases. *ENO* will be FALSE, and *Out* will not change.
  - a) The value of *Size* is outside the valid range.
  - b) The value of *Pos* is outside the valid range.
  - c) *In* does not have so many bits as specified by *Size* after the position specified by *Pos*.

# WriteNbit\_\*\*

The WriteNbit\_\*\* instructions write zero or more bits to a bit string.

Instruction	Name	FB/ FUN	Graphic expression	ST expression
WriteNbit_**	N-bit Write Group	FUN	<p>**** must be a bit string data type.</p>	WriteNbit_**(In, InOut, Pos, Size); **** must be a bit string data type.

## Variables

	Meaning	I/O	Description	Valid range	Unit	Default
In	Read source	Input	Bit string from which to read bits to write to <i>InOut</i>	Depends on data type.	---	0
Pos	Write position		Bit position to which to write	0 to No. of bits in <i>InOut</i> - 1		
Size	Write size		Number of bits to write	0 to No. of bits in <i>In</i>		
InOut	Write target	In-out	Write result	Depends on data type.	---	---
Out	Return value	Output	Always TRUE	TRUE only	---	---

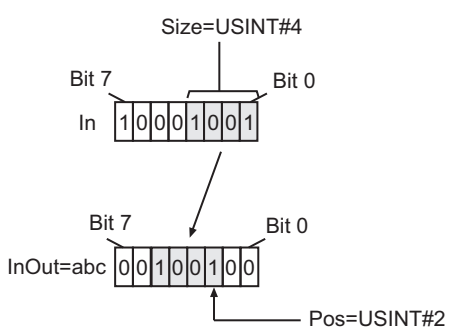
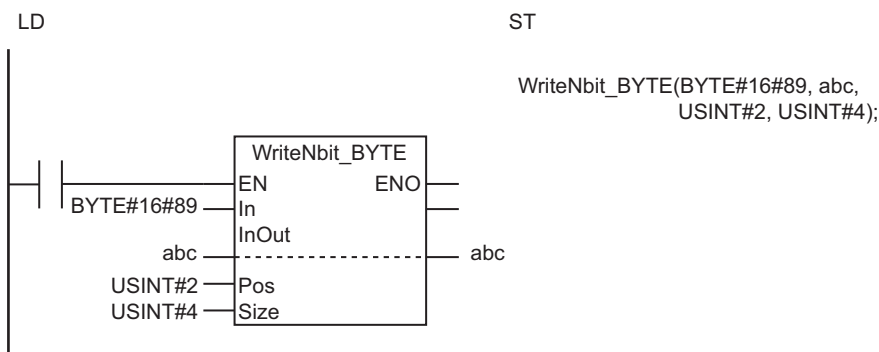
	Boo lean	Bit strings				Integers								Real num- bers		Times, durations, dates, and text strings					
	BOOL	BYTE	WORD	DWORD	LWORD	USINT	UINT	UDINT	ULINT	SINT	INT	DINT	LINT	REAL	LREAL	TIME	DATE	TOD	DT	STRING	
In		OK	OK	OK	OK																
Pos						OK															
Size						OK															
InOut	Must be same data type as <i>In</i>																				
Out	OK																				

## Function

The WriteNbit\_\*\* instruction first reads the values of the lower *Size* bits from *In* (read source). It writes the values to *Pos* (write position) in *InOut* (write target).

The name of the instruction is determined by the data type of *In* and *Out*. For example, if *In* and *Out* are both WORD data, the name of the instruction is WriteNbit\_WORD.

The following example shows the WriteNbit\_BYTE instruction when *In* is BYTE#16#89, *Pos* is USINT#2 and *Size* is USINT#4.



## Additional Information

Use the instruction, *ReadNbit\_\*\** on page 2-1600, to read zero or more bits from a bit string.

## Precautions for Correct Use

- The data types of *In* and *InOut* must be the same.
- The value of *InOut* does not change if the value of *Size* is 0.
- Return value *Out* is not used when the instruction is used in ST.
- An error occurs in the following cases. *ENO* will be FALSE, and *InOut* will not change.
  - a) The value of *Size* is outside of the valid range.
  - b) The value of *Pos* is outside of the valid range.
  - c) The bit string in *InOut* does not have enough bits for the number of bits specified by *Size* from the position specified by *Pos*.

# ChkRange

The ChkRange instruction determines if the value of a variable is within the valid range of the range specification.

Instruction	Name	FB/ FUN	Graphic expression	ST expression
ChkRange	Check Sub-range Variable	FUN		Out:=ChkRange(In, Val);

## Variables

	Meaning	I/O	Description	Valid range	Unit	Default
In	Variable to check	Input	Variable to check	Depends on data type.	---	*1
Val	Range specification variable		Range specification variable	Depends on the range specification.		
Out	Check result	Output	Check result	Depends on data type.	---	---

\*1. If you omit the input parameter, the default value is not applied. A building error will occur.

	Boo lean	Bit strings				Integers							Real num- bers		Times, durations, dates, and text strings					
	BOOL	BYTE	WORD	DWORD	LWORD	USINT	UINT	UDINT	ULINT	SINT	INT	DINT	LINT	REAL	LREAL	TIME	DATE	TOD	DT	STRING
In						OK	OK	OK	OK	OK	OK	OK	OK							
Val	The basic data type that is the basis for the range specification must be the same as <i>In</i> .																			
Out	OK																			

## Function

The ChkRange instruction determines if the value of *In* (variable to check) is within the valid range of the range specification variable *Val*.

If the value is within the valid range, the check result *Out* becomes TRUE. If the value is not within the valid range, the check result variable becomes FALSE.

## Additional Information

You can define the range type specification for integer variables (USINT, UINT, UDINT, ULINT, SINT, INT, DINT, and LINT).

## Precautions for Correct Use

- If *In* is not a range specification variable, the value of *Out* changes to TRUE.
- If this instruction is used in a ladder diagram, the value of *Out* changes to FALSE if an error occurs in the previous instruction on the rung.

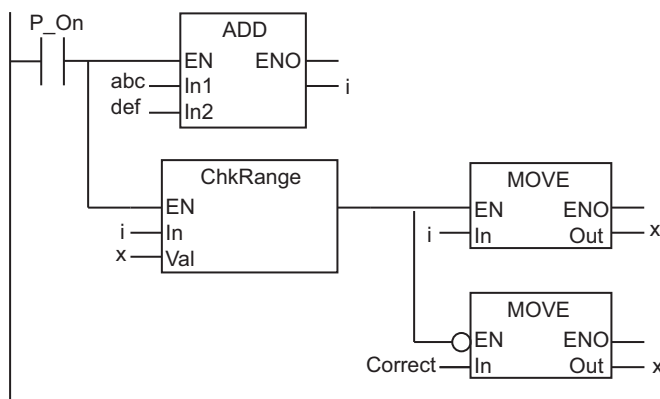
## Sample Programming

In the following examples, the result of addition *i* is checked to see if it is within the valid range (10 to 99) of the range specification variable *x*.

If it is within the valid range, the value of *i* is assigned to variable *x*. If it is not within the valid range, the value of variable *Correct* is assigned to variable *x*.

### LD

Variable	Data type	Initial value
<i>i</i>	INT	0
<i>abc</i>	INT	0
<i>def</i>	INT	0
<i>x</i>	INT(10..99)	10
<i>Correct</i>	INT	0



### ST

Variable	Data type	Initial value
<i>i</i>	INT	0
<i>abc</i>	INT	0
<i>def</i>	INT	0
<i>Chk</i>	BOOL	FALSE
<i>x</i>	INT(10..99)	10
<i>Correct</i>	INT	0

```
i := abc+def;
Chk:=ChkRange(i, x); // Check subrange variable.
```

```
IF (Chk=TRUE) THEN
  x := i;           // Assign i to x if value of i is in range.
ELSE
  x := Correct;    // Assign Correct to x if value of i is out of range.
END_IF;
```



# GetMyTaskStatus

The GetMyTaskStatus reads the status of the current task.

Instruction	Name	FB/ FUN	Graphic expression	ST expression
GetMyTask- Status	Read Current Task Status	FUN		GetMyTaskStatus(LastExecTime, MaxExecTime, MinExecTime, Ex- ecCount, Exceeded, Exceed- Count);

## Variables

	Meaning	I/O	Description	Valid range	Unit	Default
Out	Return value	Output	Always TRUE	TRUE only	---	---
LastExec- Time	Last task execution time		Last task execution time of the current task	Depends on da- ta type.*1	ns	
MaxExec- Time	Maximum task execu- tion time		Maximum task execu- tion time of the current task			
MinExec- Time	Minimum task execu- tion time		Minimum task execu- tion time of the current task			
ExecCount	Task execution count		Number of task execu- tions of the current task	Depends on da- ta type.	---	
Exceeded	Task period exceeded flag		TRUE: The last execu- tion of the current task was not completed within the task period. FALSE: The last execu- tion of the current task was completed within the task period.			
Exceed- Count	Task period exceeded count		The number of times the current task has exceeded the task pe- riod.			

\*1. Negative numbers are excluded.

	Boo lean	Bit strings					Integers								Real num- bers		Times, durations, dates, and text strings				
	BOOL	BYTE	WORD	DWORD	LWORD	USINT	UINT	UDINT	ULINT	SINT	INT	DINT	LINT	REAL	LREAL	TIME	DATE	TOD	DT	STRING	
Out						OK															
LastExec- Time																OK					
MaxExec- Time																OK					
MinExec- Time																OK					
ExecCount								OK													
Exceeded	OK																				
Exceed- Count								OK													

## Function

The `GetMyTaskStatus` reads the status of the current task.

The task status includes the last task execution time *LastExecTime*, maximum task execution time *MaxExecTime*, minimum task execution time *MinExecTime*, task execution count *ExecCount*, task period exceeded flag *Exceeded*, and task period exceeded count *ExceedCount*.

## Additional Information

*MaxExecTime*, *MinExecTime*, *ExecCount*, and *ExceedCount* are reset at the timing below.

- When operation is started
- When a reset operation is executed from the Task Execution Time Monitor of the Sysmac Studio.

## Precautions for Correct Use

- When the value of *ExecCount* or *ExceedCount* exceeds the maximum value of UDINT data (4,294,967,295), it returns to 0.
- Return value *Out* is not used when the instruction is used in ST.

## Sample Programming

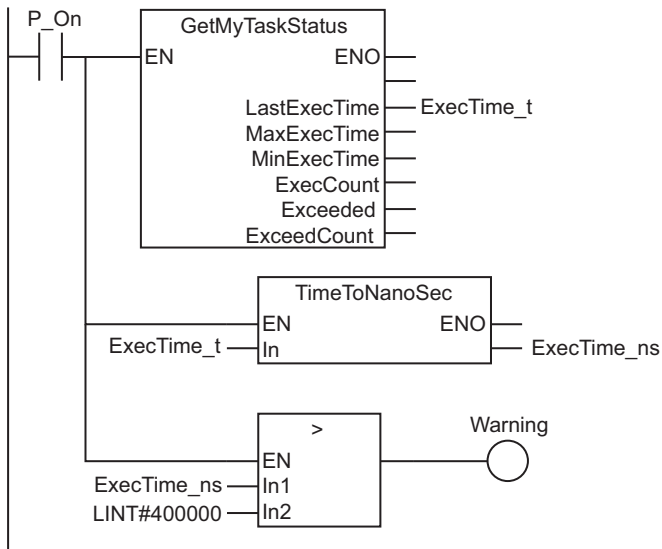
In this sample, the `GetMyTaskStatus` reads the status of the current task.

If the previous task execution time exceeds 400  $\mu$ s (400,000 ns), the value of the *Warning* variable changes to TRUE.

### LD

Variable	Data type	Initial value	Comment
ExecTime_t	TIME	T#0s	Previous task execution time (TIME data)
ExecTime_ns	LINT	0	Previous task execution time (nanoseconds LINT data)

Variable	Data type	Initial value	Comment
Warning	BOOL	FALSE	Warning



## ST

Variable	Data type	Initial value	Comment
ExecTime_t	TIME	T#0s	Previous task execution time (TIME data)
ExecTime_ns	LINT	0	Previous task execution time (nanoseconds LINT data)
Warning	BOOL	FALSE	Warning

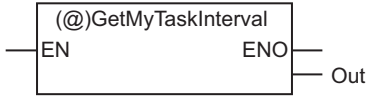
```

GetMyTaskStatus(LastExecTime=>ExecTime_t); // Get previous task period.
ExecTime_ns:=TimeToNanoSec(ExecTime_t); // Convert previous task period from TIME
data to nanoseconds.
IF (ExecTime_ns>DINT#400000) THEN // If previous task period exceeds 400,000 ns...
    Warning:=TRUE; // Assign TRUE to Warning variable.
ELSE
    Warning:=FALSE;
END_IF;

```

# GetMyTaskInterval

The GetMyTaskInterval instruction reads the task period of the current task.

Instruction	Name	FB/ FUN	Graphic expression	ST expression
GetMyTaskInterval	Read Current Task Period	FUN		Out:=GetMyTaskInterval();



## Version Information

A CPU Unit with unit version 1.08 or later and Sysmac Studio version 1.09 or higher are required to use this instruction.

## Variables

	Meaning	I/O	Description	Valid range	Unit	Default
Out	Task period	Output	Task period of current task	Depends on data type.*1	ms	---

\*1. Negative numbers are excluded.

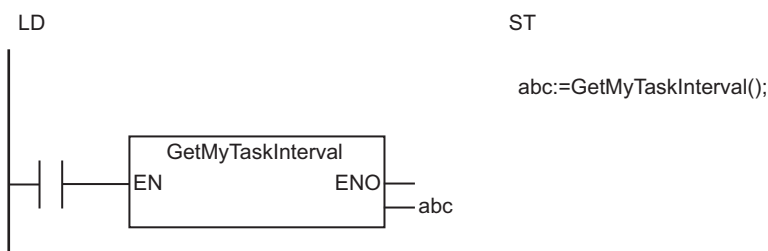
	Boo lean	Bit strings				Integers							Real num- bers		Times, durations, dates, and text strings					
	BOOL	BYTE	WORD	DWORD	LWORD	USINT	UINT	UDINT	ULINT	SINT	INT	DINT	LINT	REAL	LREAL	TIME	DATE	TOD	DT	STRING
Out																OK				

## Function

The GetMyTaskInterval instruction reads the task period of the current task and stores it in task period *Out* if the task that executes the instruction is the primary periodic task or a periodic task.

If an event task executes the instruction, the value of *Out* will be T#0 s.

The following figure shows a programming example. If the task period of the current task is 1 ms, the value of *abc* will be T#1 ms.



## Sample Programming

This example reads the task period of the current task when this program is first executed after operation starts. Then the task period that was read is converted from TIME data to LREAL data in milliseconds.

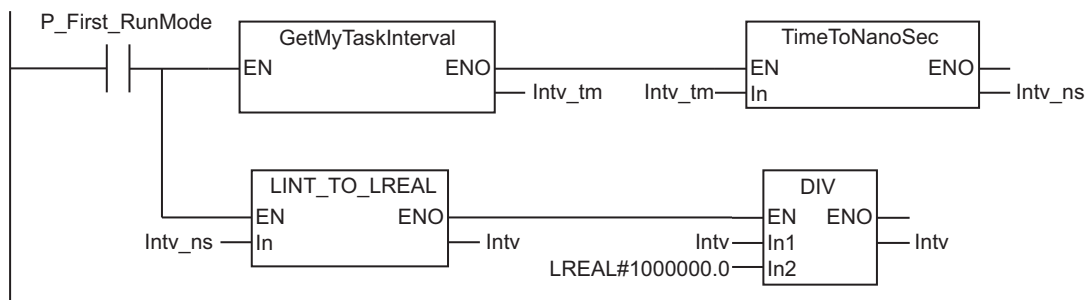
This sample programming can be used, for example, to calculate the axis target position for each task period.

The following procedure is used to convert TIME data to LREAL data in milliseconds.

- 1** The GetMyTaskInterval instruction is used to read the task period as TIME data.
- 2** The TimeToNanoSec instruction is used to convert TIME data to LINT data in nanoseconds.
- 3** The LINT\_TO\_LREAL instruction is used to convert LINT data in nanoseconds to LREAL data in nanoseconds.
- 4** The DIV instruction is used to divide the result of step 3 by 1,000,000 to convert to milliseconds.

### LD

Variable	Data type	Default	Comment
Intv_tm	TIME	T#0s	Task period as TIME data
Intv_ns	LINT	0	Task period as LINT data in nanoseconds
Intv	LREAL	0	Task period as LREAL data in milliseconds



### ST

Variable	Data type	Default	Comment
Intv	LREAL	0	Task period as LREAL data in milliseconds

```
IF P_First_RunMode = TRUE THEN
  Intv := LINT_TO_LREAL(TimeToNanoSec(GetMyTaskInterval()))/1000000;
END_IF;
```

# Task\_IsActive

The Task\_IsActive instruction determines if the specified task is currently in execution.

Instruction	Name	FB/ FUN	Graphic expression	ST expression
Task_IsActive	Determine Task Status	FUN		Out:=Task_IsActive(TaskName);

## Variables

	Meaning	I/O	Description	Valid range	Unit	Default
TaskName	Task name	Input	Task name	64 bytes max. (63 single-byte alphanumeric characters plus the final NULL character)	---	"
Out	Judgement	Output	TRUE: Task is in execution or on standby. FALSE: Not active	Depends on data type.	---	---

	Boo lean	Bit strings				Integers							Real num- bers		Times, durations, dates, and text strings					
	BOOL	BYTE	WORD	DWORD	LWORD	USINT	UINT	UDINT	ULINT	SINT	INT	DINT	LINT	REAL	LREAL	TIME	DATE	TOD	DT	STRING
TaskName																				OK
Out	OK																			

## Function

The Task\_IsActive instruction determines if the task specified with *TaskName* is currently in execution or on standby.

"On standby" means that a high-priority task was started after this task was started, so processing has been interrupted.

If it is being executed or on standby, the value of judgement *Out* is TRUE. If it is not being executed, the value of *Out* is FALSE.

## Precautions for Correct Use

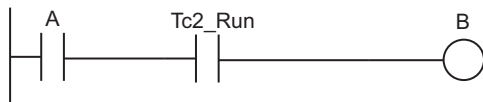
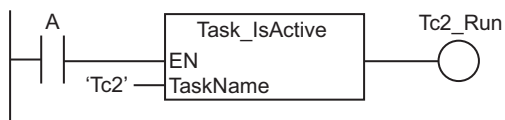
- You cannot specify *TaskName* with a variable containing a text string. Directly specify a text string.
- If this instruction is used in a ladder diagram, the value of *Out* changes to FALSE when an error occurs on the preceding rung.
- An error will occur in the following case. The value of *Out* will not change.
  - The task specified with *TaskName* does not exist.

## Sample Programming

In this sample, the instruction determines whether periodic task Tc2 is active when the value of variable *A* changes to TRUE. If it is active, the value of variable *B* changes to TRUE.

### LD

Variable	Data type	Initial value	Comment
A	BOOL	FALSE	
B	BOOL	FALSE	
Tc2_Run	BOOL	FALSE	Task Tc2 execution status



### ST

Variable	Data type	Initial value	Comment
A	BOOL	FALSE	
B	BOOL	FALSE	
Tc2_Run	BOOL	FALSE	Task Tc2 execution status

```

IF (A=TRUE) THEN
    // Determine task status.
    Tc2_Run:=Task_IsActive('Tc2');
    // Make variable B TRUE if Tc2 is running.
    IF (Tc2_Run=TRUE) THEN
        B := TRUE;
    END_IF;
END_IF;

```

# Lock and Unlock

**Lock** : Starts an exclusive lock between tasks. Execution of any other task with a lock region with the same lock number is disabled.

**Unlock** : Stops an exclusive lock between tasks.

Instruction	Name	FB/ FUN	Graphic expression	ST expression
Lock	Lock Tasks	FUN		Lock(Index);
Unlock	Unlock Tasks	FUN		Unlock(Index);

## Variables

	Meaning	I/O	Description	Valid range	Unit	Default
Index	Lock number	Input	Lock number	Depends on data type.	---	0
Out	Return value	Output	Always TRUE	TRUE only	---	---

	Boo lean	Bit strings					Integers							Real num- bers		Times, durations, dates, and text strings				
	BOOL	BYTE	WORD	DWORD	LWORD	USINT	UINT	UDINT	ULINT	SINT	INT	DINT	LINT	REAL	LREAL	TIME	DATE	TOD	DT	STRING
Index						OK														
Out	OK																			

## Function

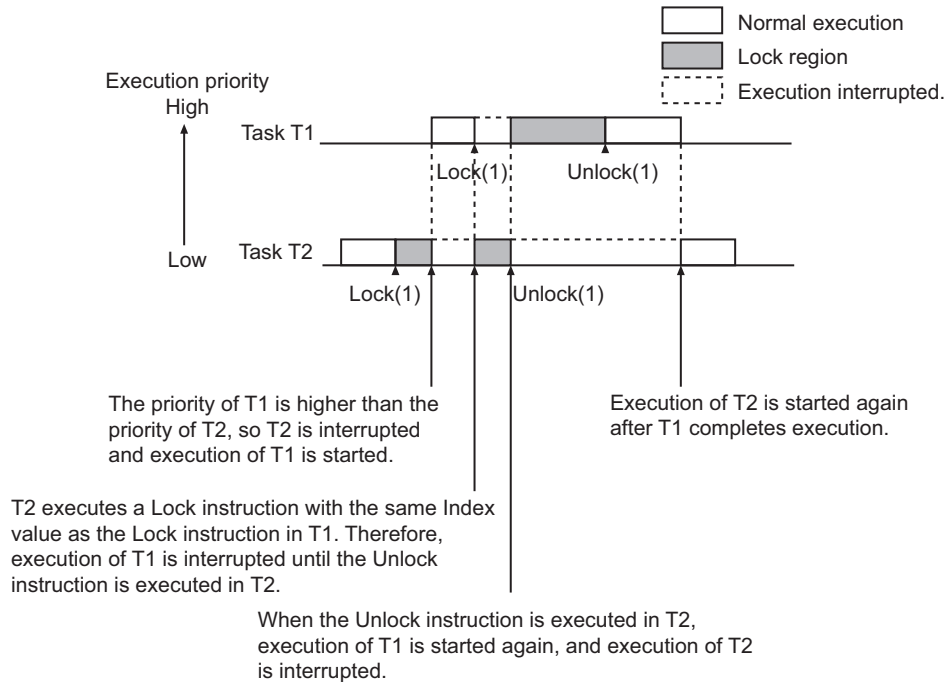
The Lock and Unlock instructions create lock regions. If a lock region in one task is being executed, the lock regions with the same lock number in other tasks are not executed.

Specify the lock number with *Index*.

The following figure shows a programming example.

Task T1 and task T2 each have a lock region with *Index* set to 1. If the Lock instruction in T2 is executed first, the lock region in T1 is not executed until the Unlock instruction is executed in T2.





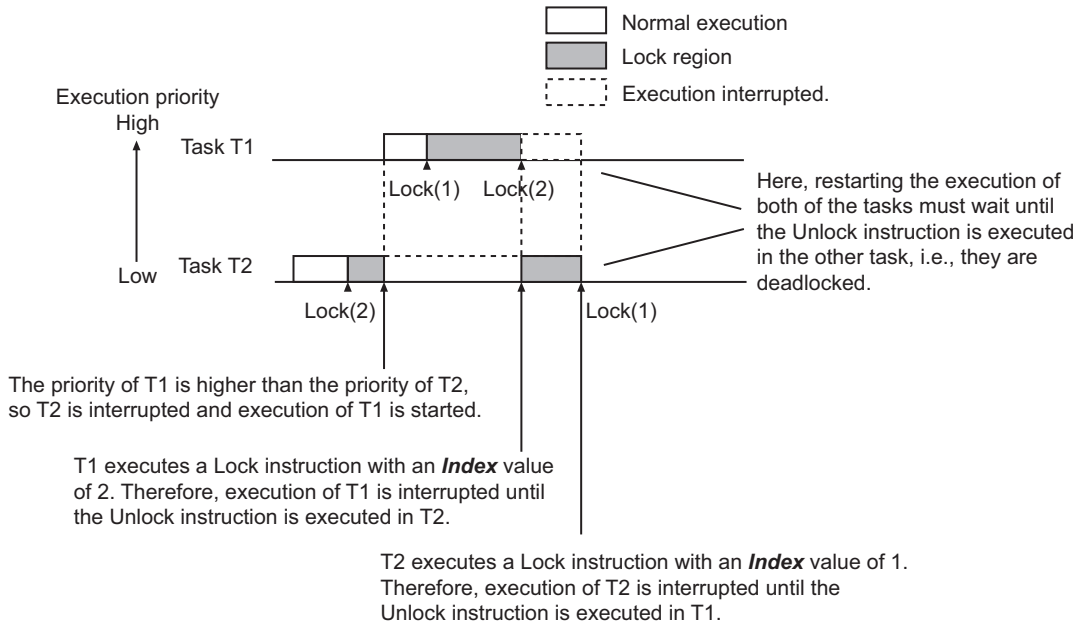
Lock regions with different values for *Index* do not affect each other.

## Additional Information

- The Lock and Unlock instructions are used when the same data is read or written from more than one task. They are used to prevent other tasks from reading or writing the data while a certain task is reading or writing the data.
- As long as the *Index* values are different, more than one pair of Lock and Unlock instructions can be placed in the same POU. The instruction pairs can also be nested.

## Precautions for Correct Use

- Do not make lock regions any longer than necessary. If the lock region is too long, the task execution period may be exceeded.
- Always use the Lock and Unlock instructions together as a set in the same section of the same POU.
- You can set a maximum of 16,777,215 lock regions at the same time.
- If Lock instructions are used in more than one task, a deadlock may occur if they are positioned poorly. A Task Execution Timeout Error will occur if there is a deadlock and a total stop is performed. The following shows an example where a deadlock occurs.



- An error will occur in the following case. The value of *Out* will not change.
  - An attempt is made to set up more than 16,777,215 lock regions at the same time.

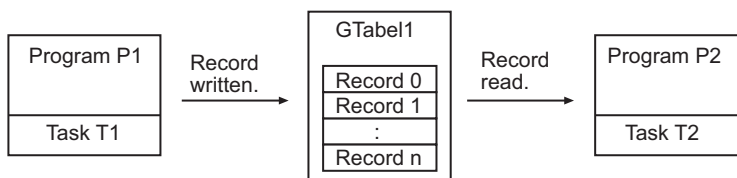
## Sample Programming

Here, program P1 in task T1 and program P2 in task T2 both access the same global variable *GTable1*.

When the value of write request *WriteReq* changes to TRUE, P1 writes one record to record array *GTable1.Record[]* and increments *GTable1.Index*.

When read request *ReadReq* changes to TRUE, P2 decrements *GTable1.Index* and reads one record from *GTable1.Record[]*.

The Lock instruction is used so that reading and writing do not occur at the same time.



## Definition of Global Variable *GTable*

### ● Data type

Variable	Data type	Comment
USERTABLE	STRUCT	Record storage structure
Index	INT	Index
Record	ARRAY[0..99] OF LREAL	Record array

● Global Variables

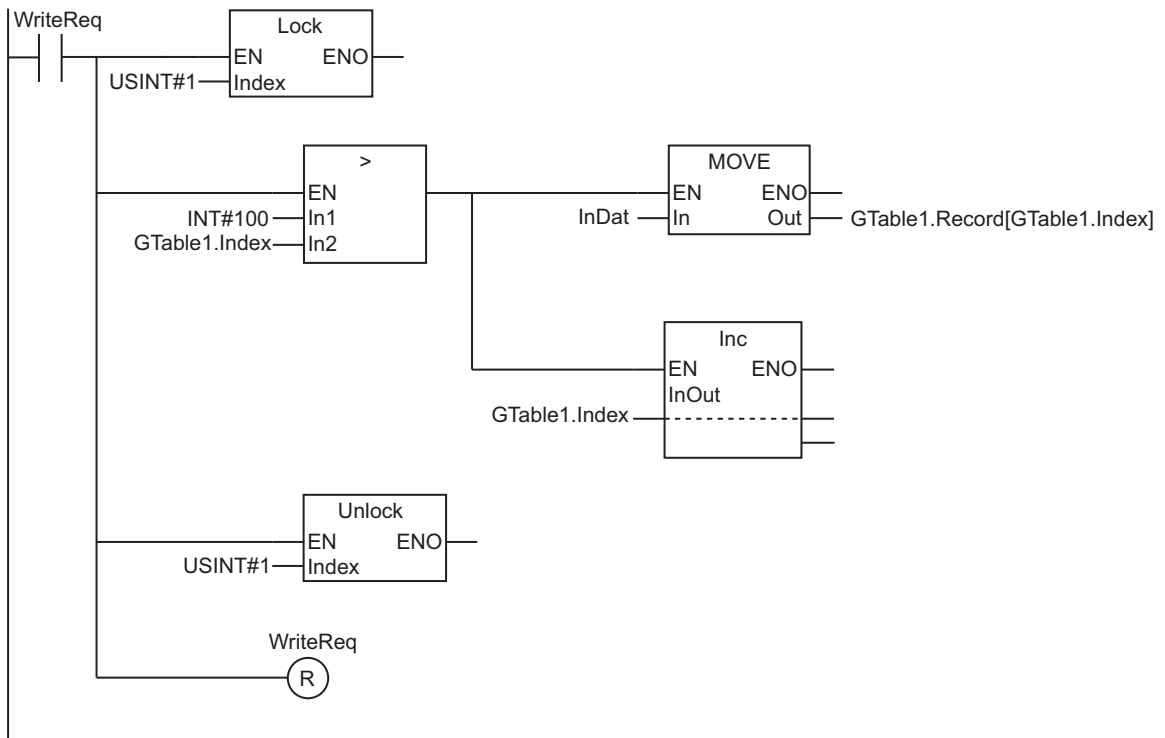
Variable	Data type	Initial value	Comment
GTable1	USERTABLE	(Index:=0,Record:=[100(0.0)])	Record storage structure

## Program P1

● LD

Internal Variables	Variable	Data type	Initial value	Comment
	WriteReq	BOOL	FALSE	Write request
	InDat	LREAL	0.0	Write data

External Variables	Variable	Data type	Comment
	GTable1	USERTABLE	Record storage structure



● ST

Internal Variables	Variable	Data type	Initial value	Comment
	WriteReq	BOOL	FALSE	Write request
	InDat	LREAL	0.0	Write data

External Variables	Variable	Data type	Comment
	GTable1	USERTABLE	Record storage structure

```
// Detect write request.
IF (WriteReq=TRUE) THEN
```

```

// Execute Lock instruction.
Lock(USINT#1);

IF (INT#100>GTable1.Index) THEN
    GTable1.Record[GTable1.Index]:=InDat;
    GTable1.Index                :=GTable1.Index+INT#1;
END_IF;

// Execute Unlock instruction.
Unlock(USINT#1);
WriteReq:=FALSE;

END_IF;

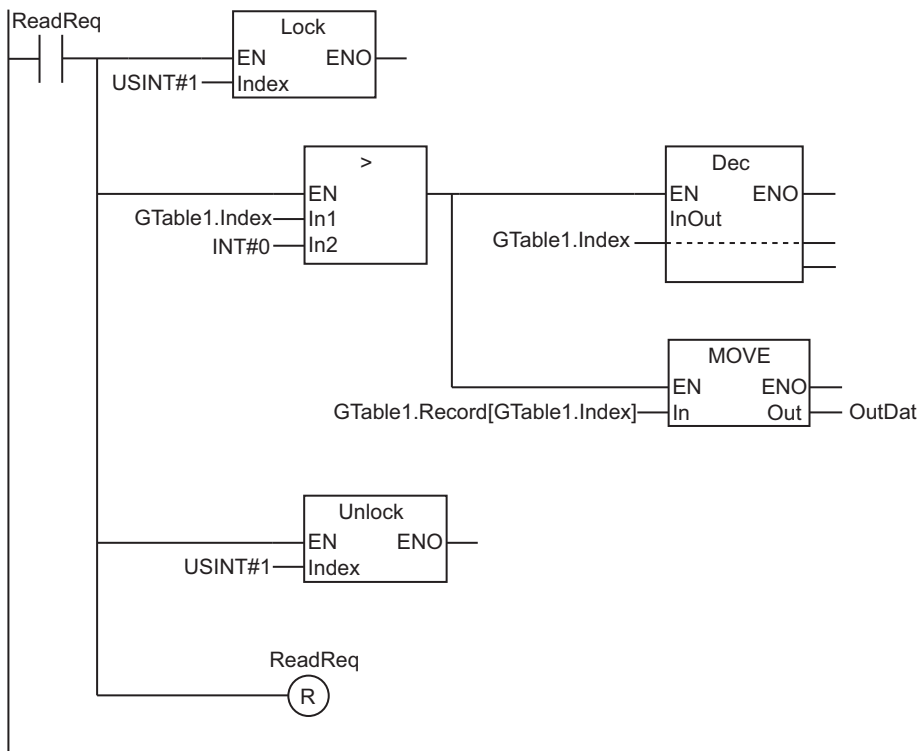
```

### Program P2

#### ● LD

Internal Variables	Variable	Data type	Initial value	Comment
	ReadReq	BOOL	FALSE	Read request
	OutDat	LREAL	0.0	Read data

External Variables	Variable	Data type	Comment
	GTable1	USERTABLE	Record storage structure



## ● ST

Internal Variables	Variable	Data type	Initial value	Comment
	ReadReq	BOOL	FALSE	Read request
	OutDat	LREAL	0.0	Read data

External Variables	Variable	Data type	Comment
	GTable1	USERTABLE	Record storage structure

```
// Detect read request.
IF (ReadReq=TRUE) THEN

    // Execute Lock instruction.
    Lock (USINT#1);

    IF (GTable1.Index>INT#0) THEN
        GTable1.Index:=GTable1.Index-INT#1;
        OutDat      :=GTable1.Record[GTable1.Index];
    END_IF;

    // Execute Unlock instruction.
    Unlock (USINT#1);
    ReadReq:=FALSE;

END_IF;
```

# ActEventTask

The ActEventTask instruction activates an event task.

Instruction	Name	FB/ FUN	Graphic expression	ST expression
ActEventTask	Activate Event Task	FUN		ActEventTask(TaskName);



## Version Information

A CPU Unit with unit version 1.03 or later and Sysmac Studio version 1.04 or higher are required to use this instruction.

## Variables

	Meaning	I/O	Description	Valid range	Unit	Default
TaskName	Task name	Input	The name of the event task to activate	64 bytes max. (63 single-byte alphanumeric characters plus the final NULL character)	---	"
Out	Return value	Output	TRUE: The instruction was executed without any errors. FALSE: The instruction was not executed or an error occurred.	Depends on data type.	---	---

	Boo lean	Bit strings				Integers								Real num- bers		Times, durations, dates, and text strings					
	BOOL	BYTE	WORD	DWORD	LWORD	USINT	UINT	UDINT	ULINT	SINT	INT	DINT	LINT	REAL	LREAL	TIME	DATE	TOD	DT	STRING	
TaskName																					OK
Out	OK																				

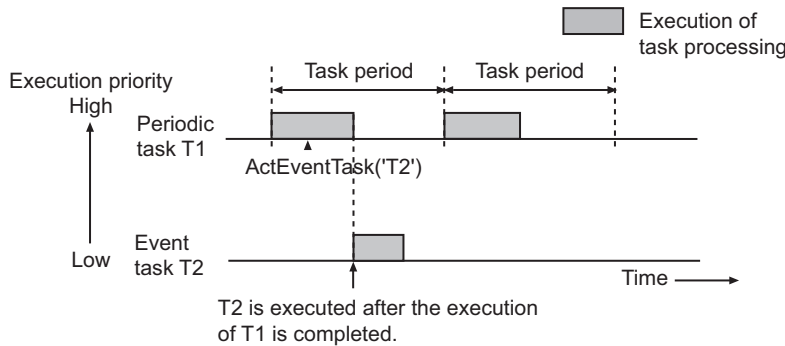
## Function

The ActEventTask instruction activates the event task with task name *TaskName*.

The event task operates according to its task execution priority.

If an event task is started that has an execution priority that is lower than the execution priority of the task in which this instruction was executed, the event task is executed after completion of the execution of the task in which this instruction was executed.

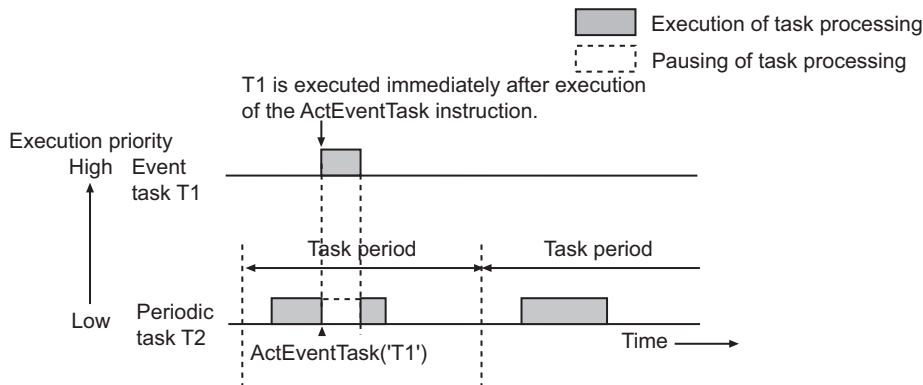
For example, assume that the execution priority of event task T2 is lower than the execution priority of periodic task T1.  
 If the ActEventTask instruction is executed for T2 in T1, the execution of T1 is completed before T2 is executed.



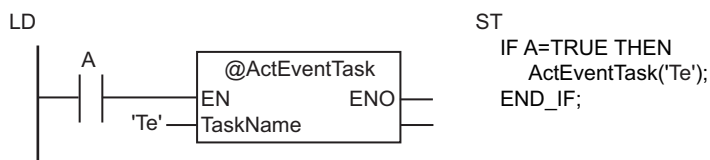
If an event task is started that has an execution priority that is higher than the execution priority of the task in which this instruction was executed, the execution of the task in which this instruction was executed is paused and the event task is executed.

For example, assume that the execution priority of periodic task T2 is lower than the execution priority of event task T1.

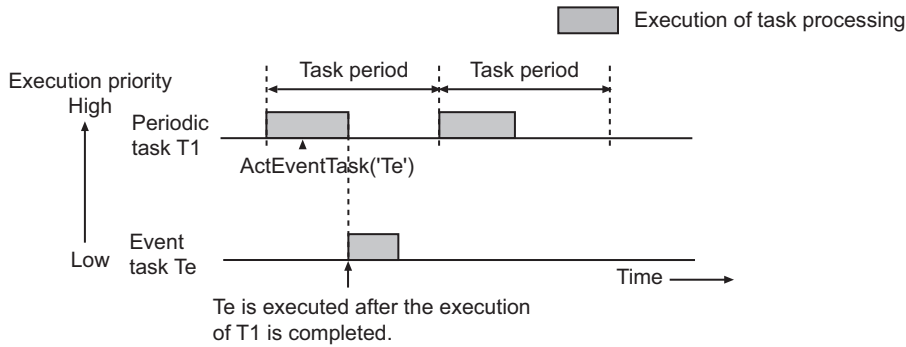
If the ActEventTask instruction is executed for T1 in T2, the execution of T2 is paused to execute T1.



The following figure shows a programming example. When the value of variable A is TRUE, event task 'Te' is executed.



Assume that the program with these instructions is assigned to periodic task T1 and that the execution priority of Te is lower than that of T1. If this instruction is executed in T1, the execution of T1 is completed before Te is executed.



## Related System-defined Variables

Name	Meaning	Data type	Description
<code>_**_Active</code> *1	Task Active Flag	BOOL	This variable indicates the execution status of the task. *2 TRUE: Execution processing is in progress. FALSE: Stopped.

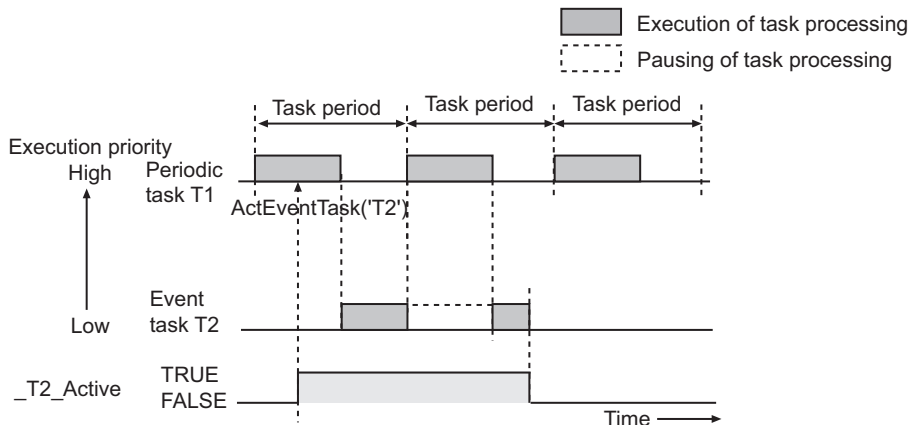
\*1. The asterisks (\*\*) are replaced with the task name.

\*2. Refer to the *NJ/NX-series CPU Unit Software User's Manual (Cat. No. W501)* for details.

## Additional Information

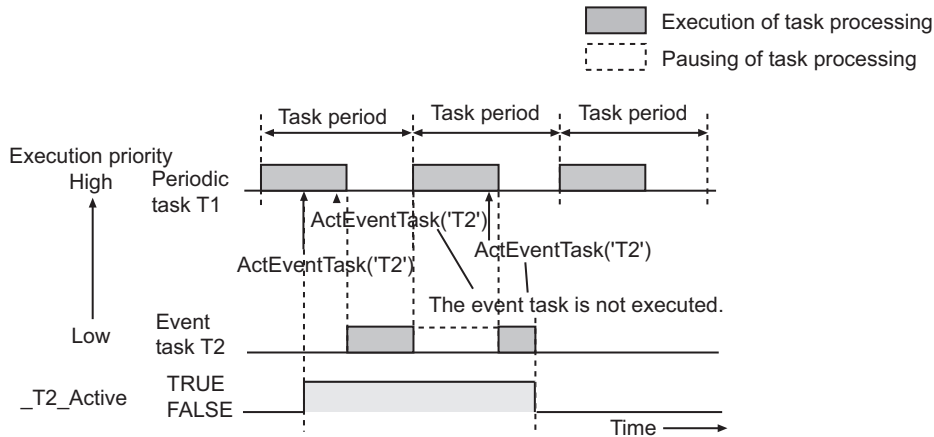
### Operation of `_**_Active` System-defined Variable

- When this instruction is executed, the `_**_Active` system-defined variable for the specified event task will change to TRUE. It will change to FALSE when execution of the event task is completed. For example, assume that the execution priority of event task T2 is lower than the execution priority of periodic task T1. When the ActEventTask instruction is executed for T2 in T1, the `_T2_Active` system-defined variable will change as shown in the following figure.



- The event task will not be activated even if this instruction is executed while the `_**_Active` system-defined variable for the event task is TRUE.



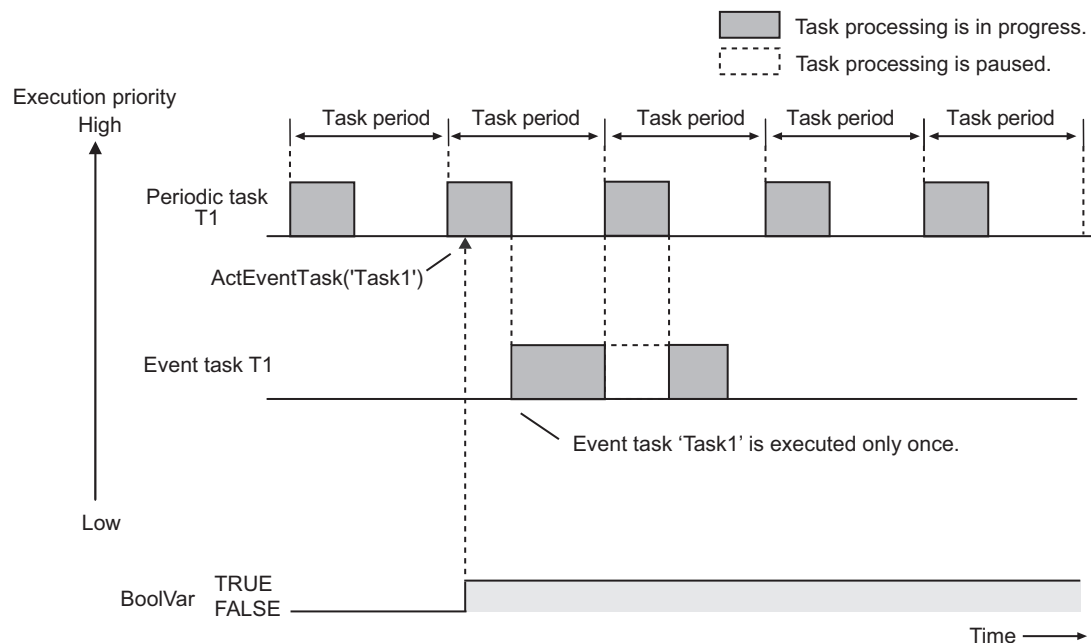
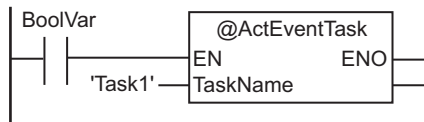


## Executing an Event Task Only Once and Executing It Repeatedly

Use the following type of programming when you want to execute an event task only once when the value of a specified variable changes and when you want to execute an event task repeatedly as long as the variable has a specific value.

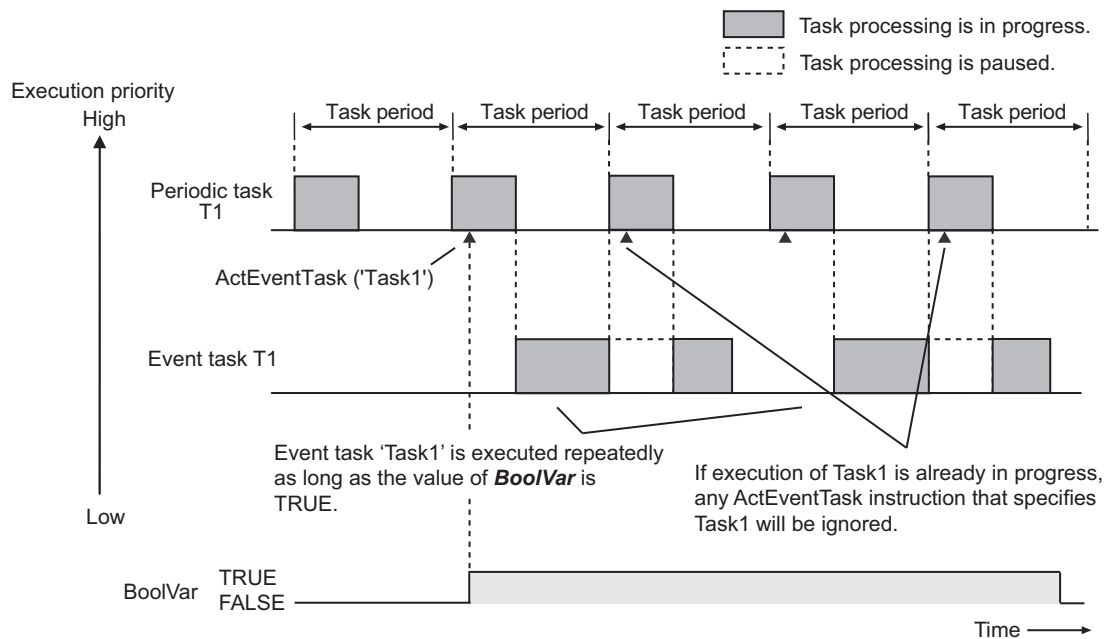
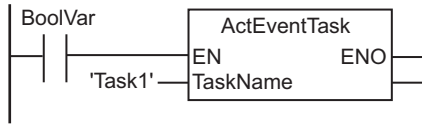
### ● Executing an Event Task Only Once When the Value of a Specified Variable Changes

If you use an upward differentiation instruction option for the instruction as shown below, event task 'Task1' will be executed only once when the value of BOOL variable *BoolVar* changes from FALSE to TRUE.



## ● Executing an Event Task Repeatedly for a Period of Time with a Variable at a Specific Value

If you do not use an upward differentiation instruction option for the instruction as shown below, event task 'Task1' will be executed repeatedly as long as the value of BOOL variable *BoolVar* is TRUE. However, if this instruction is executed for Task1 while Task1 execution is in progress, it will be ignored.



## Precautions for Correct Use

- To reduce the instruction execution time, execute this instruction only when it is necessary to execute the event task.  
If the instruction is executed while the `_**_Active` system-defined variable is TRUE, execution time is required even if the event task is not activated.
- An error will occur if the event task that is specified with *TaskName* does not exist. *ENO* will be FALSE.

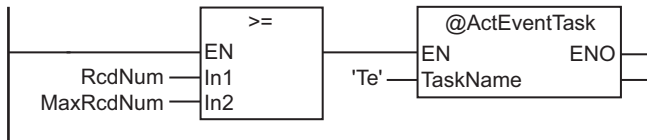
## Sample Programming

### Example of Executing an Event Task When the Value of a Variable Meets the Specified Condition

Event task 'Te' is executed only once when the value of variable *RcdNum* changes from less than the value of the variable *MaxRcdNum* to greater than or equal to the value of *MaxRcdNum*.

## ● LD

Variable	Data type	Initial value
RcdNum	INT	0
MaxRcdNum	INT	100



## ● ST

Variable	Data type	Initial value
RcdNum	INT	0
MaxRcdNum	INT	100
met	BOOL	FALSE

```

IF (RcdNum>=MaxRcdNum) THEN
  IF (met=FALSE) THEN
    ActEventTask('Te');
    met:=TRUE;
  END_IF;
ELSE
  met:=FALSE;
END_IF;

```

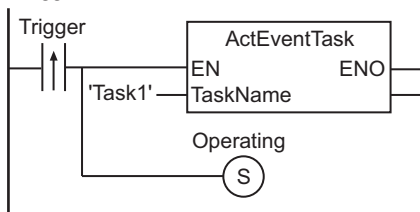
## Example of Confirming Completion of Event Task before Proceeding

In this example, event task 'Task1' is executed each time the value of *Trigger* changes to TRUE. The Task\_IsActive instruction is used to see when execution of Task 1 is completed.

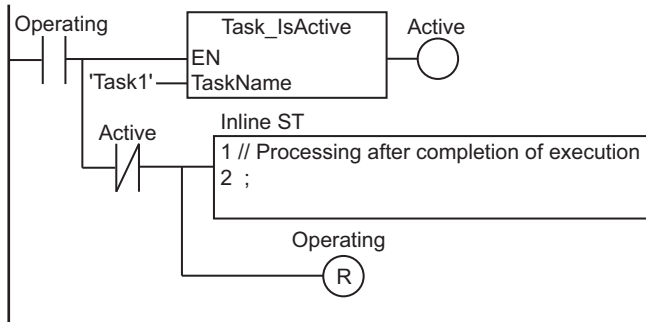
## ● LD

Name	Data type	Initial value	Comment
Trigger	BOOL	FALSE	Execution condition
Operating	BOOL	FALSE	Checking event task execution in progress
Active	BOOL	FALSE	Event task execution in progress

Trigger is received and ActEventTask is executed.



Task\_IsActive is used to see if Task1 execution is in progress.



### ● ST

Name	Data type	Initial value	Comment
Trigger	BOOL	FALSE	Execution condition
LastTrigger	BOOL	FALSE	Value of <i>Trigger</i> from previous task period
Operating	BOOL	FALSE	Checking event task execution in progress
Active	BOOL	FALSE	Event task execution in progress

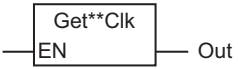
```
// Start sequence when Trigger changes to TRUE.
IF ( (Trigger=TRUE) AND (LastTrigger=FALSE) ) THEN
    ActEventTask('Task1');          // Execute event task 'Task1'.
    Operating:=TRUE;
END_IF;
LastTrigger:=Trigger;

// See if Task1 execution is in progress.
IF (Operating=TRUE) THEN
    Active:=Task_IsActive('Task1');

    IF (Active=FALSE) THEN          // Task1 execution completed.
        Operating:=FALSE;
    END_IF;
END_IF;
```

# Get\*\*Clk

The Get\*\*Clk instruction outputs a clock pulse at the specified cycle.

Instruction	Name	FB/ FUN	Graphic expression	ST expression
Get**Clk	Get Clock Pulse Group	FUN	 <p>*** must be 100 <math>\mu</math>s, 1 ms, 10 ms, 20 ms, 100 ms, 1 s, or 1 min.</p>	Out:=Get**Clk();  *** must be 100 $\mu$ s, 1 ms, 10 ms, 20 ms, 100 ms, 1 s, or 1 min.

## Variables

	Meaning	I/O	Description	Valid range	Unit	Default
Out	Clock pulse	Output	Clock pulse	Depends on data type.	---	---

	Boo lean	Bit strings					Integers							Real numbers		Times, durations, dates, and text strings				
	BOOL	BYTE	WORD	DWORD	LWORD	USINT	UINT	UDINT	ULINT	SINT	INT	DINT	LINT	REAL	LREAL	TIME	DATE	TOD	DT	STRING
Out	OK																			

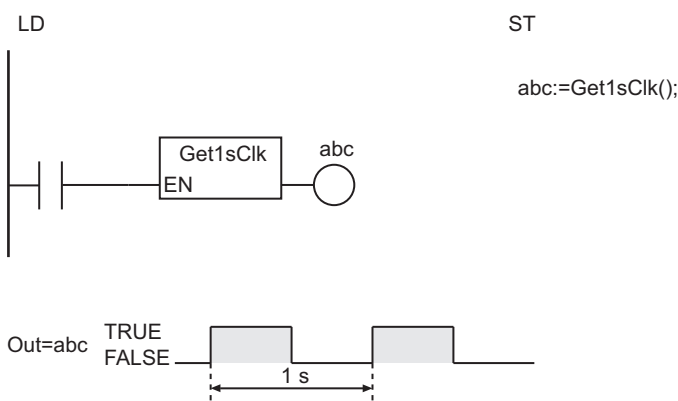
## Function

The Get\*\*Clk instruction outputs a clock pulse at the specified cycle.

The clock pulse period is 100  $\mu$ s, 1 ms, 10 ms, 20 ms, 100 ms, 1 s, or 1 min.

The name of the instruction is determined by the period of the clock pulse. For example, if the period of the clock pulse is 10 ms, the instruction name is Get10msClk.

The following example is for the Get1sClk instruction.

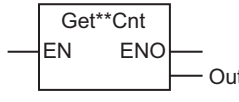


### Precautions for Correct Use

- The first value of *Out* after execution is not defined.
- If this instruction is used in a ladder diagram, the value of *Out* changes to FALSE when an error occurs on the preceding rung.

# Get\*\*Cnt

The Get\*\*Cnt instruction gets free-running counter values at the specified cycle.

Instruction	Name	FB/ FUN	Graphic expression	ST expression
Get**Cnt	Get Incrementing Free-running Counter Group	FUN	 <p>*** must be 100 ns, 1 µs, 1 ms, 10 ms, 100 ms, or 1 s.</p>	Out:=Get**Cnt();  *** must be 100 ns, 1 µs, 1 ms, 10 ms, 100 ms, or 1 s.

## Variables

	Meaning	I/O	Description	Valid range	Unit	Default
Out	Count	Output	Value of free-running counter	Depends on data type.	---	---

	Boo lean	Bit strings				Integers							Real numbers		Times, durations, dates, and text strings					
	BOOL	BYTE	WORD	DWORD	LWORD	USINT	UINT	UDINT	ULINT	SINT	INT	DINT	LINT	REAL	LREAL	TIME	DATE	TOD	DT	STRING
Out									OK											

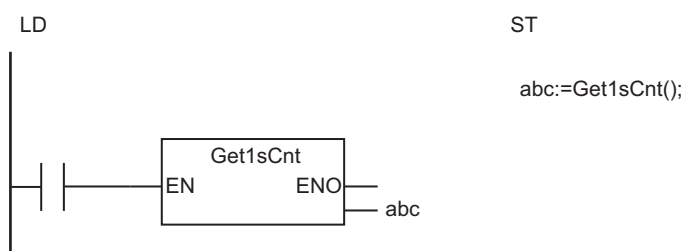
## Function

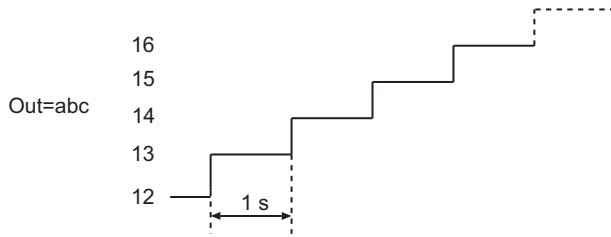
The Get\*\*Cnt instruction gets the values of free-running counters of the specified cycle.

A free-running counter is a counter that is incremented at specified intervals. *Out* contains the current value of the count. The counter period can be set to 100 ns, 1 µs, 1 ms, 10 ms, 100 ms, or 1 s.

The name of the instruction is determined by counter period. For example, if the counter period is 10 ms, the instruction name is Get10msCnt.

The following example is for the Get1sCnt instruction.





## Precautions for Correct Use

- Free-running counters start counting as soon as the power supply is turned ON. When the count exceeds the valid range of ULINT data (18,446,744,073,709,551,615), it returns to 0 and counting continues.
- This instruction only gets the current value of the free-running counter. It does not reset the counter to 0.
- The start value of *Out* is not defined. It does not necessarily start from 0.



# GetPrgHashCode

The GetPrgHashCode instruction gets the program hash code of the user program.

Instruction	Name	FB/ FUN	Graphic expression	ST expression
GetPrgHash- Code	Get Program Hash Code	FUN		Out := GetPrgHashCode(Code1, Code2, Code3, Code4);

## Version Information

You can use this instruction for the following CPU Units.

- An NX701 CPU Unit with unit version 1.32 or later and Sysmac Studio version 1.53 or higher
- An NX502 CPU Unit with unit version 1.60 or later and Sysmac Studio version 1.54 or higher
- An NJ-series, NX102, or NX1P2 CPU Unit with unit version 1.50 or later and Sysmac Studio version 1.52 or higher

## Variables

	Name	I/O	Description	Valid range	Unit	Default
Out	Return value	Output	TRUE: Program hash code acquisition succeeded FALSE: Program hash code acquisition failed	FALSE or TRUE	---	---
Code1	Code 1		Four bytes out of the obtained 16-byte program hash code*1	00000000 to FFFFFFFF	---	---
Code2	Code 2					
Code3	Code 3					
Code4	Code 4					

\*1. The value when the program hash code acquisition fails is undefined.

	Boo lean	Bit strings				Integers								Real num- bers		Times, durations, dates, and text strings				
	BOOL	BYTE	WORD	DWORD	LWORD	USINT	UINT	UDINT	ULINT	SINT	INT	DINT	LINT	REAL	LREAL	TIME	DATE	TOD	DT	STRING
Out	OK																			
Code1				OK																
Code2				OK																
Code3				OK																
Code4				OK																

## Function

This instruction gets the program hash code of the user program.

This instruction is used to detect changes in the user program. This prevents unintended modification of the user program.

A program hash code is a 16-byte value consisting of the output variables `Code1`, `Code2`, `Code3`, and `Code4`.

A program hash code is unique to a user program.

The value of the program hash code changes in the following cases.

- The user program is modified and the change is applied to the Controller.
- A user-defined variable is added, deleted, or changed and the change is applied to the Controller.
- A device variable is added or deleted when the device configuration is changed and the change is applied to the Controller.
- A user-defined data type is added, deleted, or changed and the change is applied to the Controller.



### Additional Information

The value of the program hash code does not change in the following cases.

- The program is transferred to the Controller without changing the user program, user-defined variables, or user-defined data types.
- Only program comments, user-defined variable comments, or user-defined data type comments are changed and the program is transferred to the Controller.

Program hash codes are unique to user programs, so program hash codes obtained from the same user program are the same.

Even if the user program is rebuilt, the program hash code does not change.



### Precautions for Correct Use

- The program hash code after transferring the user program by online editing may be different from the program hash code after transferring to the Controller after rebuilding. This is because rebuilding optimizes and changes the memory map.
- To evaluate the consistency of a user program that has been changed by online editing using the program hash code, go offline once and rebuild the program. After that, use the synchronization function to transfer the user program to the Controller, and use this instruction to obtain the program hash code.
- The hash code value may change if you change the project unit version. This is because the information that configures the user program may change due to version upgrades. If the project unit version is changed, transfer the user program to the Controller and then use this instruction to obtain the program hash code.

When you check the consistency of the user program using the program hash code, compare the 16 bytes of `Code1`, `Code2`, `Code3`, and `Code4`.

## Additional Information

- If the program hash code cannot be obtained, `Out` becomes `FALSE` and the values of `Code1`, `Code2`, `Code3`, and `Code4` become undefined.
- If the program hash code cannot be obtained and **Instruction Error Output** is *enabled*, an event log of Failed to Get The Program Hash Code (54010421 hex) is recorded.

- This instruction cannot be executed on the Simulator. Therefore, the following values are always displayed when this instruction is executed on the Simulator.

EN	ENO	Out	Code1	Code2	Code3	Code4
FALSE	FALSE	FALSE	16#0	16#0	16#0	16#0
TRUE	TRUE					

## Sample Programming

This instruction detects changes of the program hash code. *ProgramIsUpdated* changes to TRUE if the program hash code is different from the expected value.

## LD

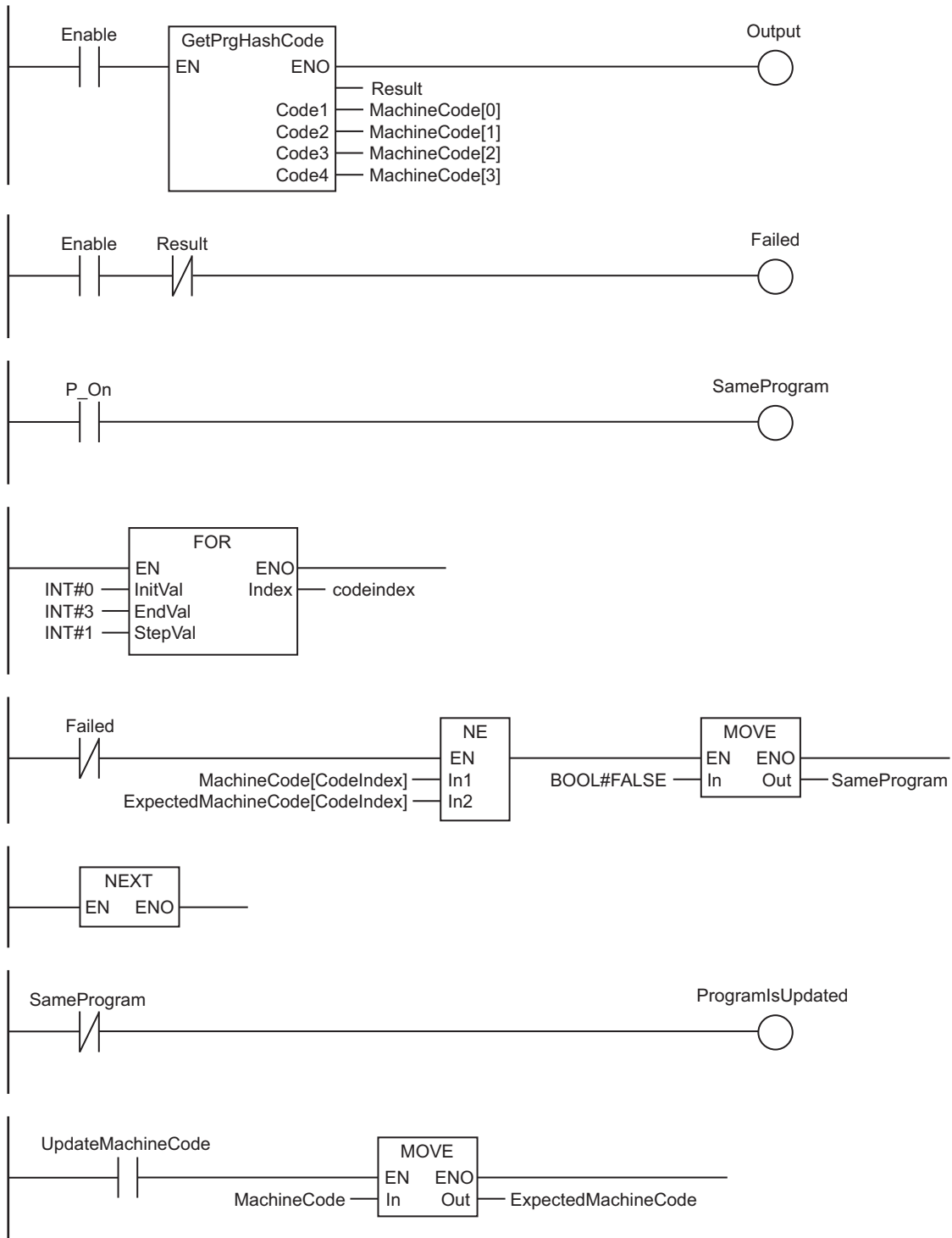
When *Enable* is set to TRUE, the program hash codes from *MachineCode[0]* to *MachineCode[3]* are obtained by using the Get Program Hash Code instruction. The obtained program hash codes are compared with the expected values of program hash code from *ExpectedMachineCode[0]* to *ExpectedMachineCode[3]*, and if they are different, *ProgramIsUpdated* is set to TRUE.

If the obtained program hash codes and the expected values are the same, *ProgramIsUpdated* is set to FALSE.

If the program hash codes fail to be obtained, *Failed* is set to TRUE and the *MachineCode* and *ExpectedMachineCode* are not compared.

When *UpdateMachineCode* is set to TRUE, the expected value *ExpectedMachineCode* is updated with the current program hash code.

Internal Variables	Name	Data type	Initial value	Comment
	Enable	BOOL		
	Output	BOOL		
	Result	BOOL		
	ExpectedMachineCode	ARRAY[0..3] OF DWORD		
	MachineCode	ARRAY[0..3] OF DWORD		
	CodeIndex	INT		
	SameProgram	BOOL		
	ProgramIsUpdated	BOOL		
	UpdateMachineCode	BOOL		
	Failed	BOOL		



**ST**

When *Enable* is set to TRUE, the program hash codes from *MachineCode[0]* to *MachineCode[3]* are obtained by using the Get Program Hash Code instruction. The obtained program hash codes are compared with the expected values of program hash code from *ExpectedMachineCode[0]* to *ExpectedMachineCode[3]*, and if they are different, *ProgramIsUpdated* is set to TRUE. If the obtained program hash codes and the expected values are the same, *ProgramIsUpdated* is set to FALSE.

If the program hash codes fail to be obtained, *Failed* is set to TRUE and the *MachineCode* and *ExpectedMachineCode* are not compared.

When *UpdateMachineCode* is set to TRUE, the expected value *ExpectedMachineCode* is updated with the current program hash code.

Internal Variables	Name	Data type	Initial value	Comment
	Enable	BOOL		
	Output	BOOL		
	Result	BOOL		
	ExpectedMachineCode	ARRAY[0..3] OF DWORD		
	MachineCode	ARRAY[0..3] OF DWORD		
	CodeIndex	INT		
	SameProgram	BOOL		
	ProgramIsUpdated	BOOL		
	UpdateMachineCode	BOOL		
	Failed	BOOL		

```

Result := GetPrgHashCode(
    MachineCode[0],
    MachineCode[1],
    MachineCode[2],
    MachineCode[3]
);

Failed :=NOT(Result);

IF Failed THEN
    RETURN;
END_IF;

SameProgram :=TRUE;

IF NOT(Failed) THEN
    FOR CodeIndex := INT#0 TO INT#3 BY INT#1 DO
        IF NOT(MachineCode[CodeIndex] = ExpectedMachineCode[CodeIndex]) THEN
            SameProgram := FALSE;
        END_IF;
    END_FOR;
END_IF;

ProgramIsUpdated := NOT(SameProgram);

IF UpdateMachineCode THEN
    ExpectedMachineCode := MachineCode;
END_IF;

```





# Appendices

A

---

<b>A-1</b>	<b>Error Codes That You Can Check with ErrorID .....</b>	<b>A-2</b>
<b>A-2</b>	<b>Error Codes .....</b>	<b>A-33</b>
<b>A-3</b>	<b>Instructions You Cannot Use in Event Tasks .....</b>	<b>A-34</b>
<b>A-4</b>	<b>Instructions Related to NX Message Communications Errors .....</b>	<b>A-37</b>
<b>A-5</b>	<b>SDO Abort Codes .....</b>	<b>A-38</b>
<b>A-6</b>	<b>Version Information .....</b>	<b>A-39</b>
A-6-1	Instructions with Specifications Changes and New Instructions for Version Upgrades .....	A-39
A-6-2	What to Do If An Error Message Says the Instruction May Cause Un- intended Operations .....	A-44

# A-1 Error Codes That You Can Check with ErrorID

Error codes are assigned to the errors that can occur when instructions are executed. When you use instructions that have an error code output variable (*ErrorID*), you can use the error codes to program error processing.

The following table lists the instructions with *ErrorID* and the error codes that can occur for those instructions.

Refer to the *NJ/NX-series Troubleshooting Manual (Cat. No. W503)* for the meanings of the error codes.



### Additional Information

You can check for errors for instructions that do not have *ErrorID* in the events in the event log.

Type	Instruction	Name	Error code	Error name
Analog Control Instructions	PIDAT	PID Control with Autotuning	16#0400	Input Value Out of Range
			16#0401	Input Mismatch
	PIDAT_HeatCool	Heating/Cooling PID with Autotuning	16#0400	Input Value Out of Range
			16#0401	Input Mismatch
	AC_StepProgram	Step Program	16#0400	Input Value Out of Range
	System Control Instructions	ResetPLCError	Reset PLC Controller Error	---
ResetCJBError		Reset CJ Bus Controller Error	16#0400	Input Value Out of Range
			16#040D	Illegal Unit Specified
ResetMCError		Reset Motion Control Error	---	---
ResetECCError		Reset EtherCAT Error	16#041A	Multi-execution of Instructions
GetNXUnitError		Get NX Unit Error Status	16#0400	Input Value Out of Range
			16#041A	Multi-execution of Instructions
			16#2C00	NX Message Error
			16#2C02	NX Message Timeout
ResetXBUnitError		Reset X Bus Unit Error	16#0400	Input Value Out of Range
			16#041A	Multi-execution of Instructions
			16#5800	X Bus Unit Does Not Exist
			16#5801	Response Timeout





Type	Instruction	Name	Error code	Error name
	GetXBUnitError	Get X Bus Unit Error Status	16#0400	Input Value Out of Range
			16#041A	Multi-execution of Instructions
			16#5800	X Bus Unit Does Not Exist
			16#5801	Response Timeout
	ResetUnit	Restart Unit	16#0400	Input Value Out of Range
			16#040D	Illegal Unit Specified
			16#040F	Unit Restart Failed
	RestartNXUnit	Restart NX Unit	16#0400	Input Value Out of Range
			16#0419	Incorrect Data Type
			16#2C00	NX Message Error
			16#2C01	NX Message Resource Overflow
			16#2C02	NX Message Timeout
			16#2C05	NX Message EtherCAT Network Error
			16#2C06	External Restart Already Executed for Specified NX Units
	NX_ChangeWriteMode	Change to NX Unit Write Mode	16#0400	Input Value Out of Range
			16#0419	Incorrect Data Type
			16#2C00	NX Message Error
			16#2C01	NX Message Resource Overflow
			16#2C02	NX Message Timeout
			16#2C05	NX Message EtherCAT Network Error
			16#2C07	Unapplicable Unit Specified for Instruction
	NX_SaveParam	Save NX Unit Parameters	16#0400	Input Value Out of Range
			16#0419	Incorrect Data Type
			16#2C00	NX Message Error
			16#2C01	NX Message Resource Overflow
			16#2C02	NX Message Timeout

Type	Instruction	Name	Error code	Error name	
	NX_ReadTotalPowerOn-Time	Read NX Unit Total Power ON Time	16#0400	Input Value Out of Range	
			16#0419	Incorrect Data Type	
			16#2C00	NX Message Error	
			16#2C01	NX Message Resource Overflow	
			16#2C02	NX Message Timeout	
			16#2C08	Invalid Total Power ON Time Record	
	XBUnit_ReadTotalPower-OnTime	Read X Bus Unit Total Power ON Time	16#0400	Input Value Out of Range	
			16#041A	Multi-execution of Instructions	
			16#5800	X Bus Unit Does Not Exist	
			16#5801	Response Timeout	
	APB_ChangeSampling-Settings	Change Sampling Settings	16#0400	Input Value Out of Range	
			16#0401	Input Mismatch	
			16#041A	Multi-execution of Instructions	
	EtherCAT Communications Instructions	EC_CoESDOWrite	Write EtherCAT CoE SDO	16#0400	Input Value Out of Range
				16#1800	EtherCAT Communications Error
16#1801				EtherCAT Slave Does Not Respond	
16#1802				EtherCAT Timeout	
16#1804				SDO Abort Error	
16#1808				Communications Resource Overflow	
EC_CoESDORead		Read EtherCAT CoE SDO	16#0400	Input Value Out of Range	
			16#1800	EtherCAT Communications Error	
			16#1801	EtherCAT Slave Does Not Respond	
			16#1802	EtherCAT Timeout	
			16#1803	Reception Buffer Overflow	
			16#1804	SDO Abort Error	
			16#1808	Communications Resource Overflow	



Type	Instruction	Name	Error code	Error name
	EC_StartMon	Start EtherCAT Packet Monitor	16#1805	Saving Packet Monitor File
			16#1807	Packet Monitoring Function in Operation
			16#1808	Communications Resource Overflow
			16#1809	Packet Monitoring Function Not Supported
	EC_StopMon	Stop EtherCAT Packet Monitor	16#1806	Packet Monitoring Function Not Started
			16#1808	Communications Resource Overflow
			16#1809	Packet Monitoring Function Not Supported
	EC_SaveMon	Save EtherCAT Packets	16#1805	Saving Packet Monitor File
			16#1807	Packet Monitoring Function in Operation
			16#1808	Communications Resource Overflow
			16#1809	Packet Monitoring Function Not Supported

Type	Instruction	Name	Error code	Error name
	EC_CopyMon	Transfer EtherCAT Packets	16#0400	Input Value Out of Range
			16#1400	SD Memory Card Access Failure
			16#1401	SD Memory Card Write-protected
			16#1402	SD Memory Card Insufficient Capacity
			16#1403	File Does Not Exist
			16#1404	Too Many Files/ Directories
			16#1405	File Already in Use
			16#140A	Write Access Denied
			16#140B	Too Many Files Open
			16#140D	File or Directory Name Is Too Long
			16#140E	SD Memory Card Access Failed
			16#1808	Communications Resource Overflow
			16#1809	Packet Monitoring Function Not Supported
	EC_DisconnectSlave	Disconnect EtherCAT Slave	16#1800	EtherCAT Communications Error
			16#1801	EtherCAT Slave Does Not Respond
			16#1808	Communications Resource Overflow
			16#180A	Cannot Execute Instruction to Slave
	EC_ConnectSlave	Connect EtherCAT Slave	16#1800	EtherCAT Communications Error
			16#1801	EtherCAT Slave Does Not Respond
			16#1808	Communications Resource Overflow
			16#180A	Cannot Execute Instruction to Slave
	EC_ChangeEnableSetting	Enable/Disable EtherCAT Slave	16#1800	EtherCAT Communications Error
			16#1801	EtherCAT Slave Does Not Respond
			16#1808	Communications Resource Overflow
			16#180A	Cannot Execute Instruction to Slave

Type	Instruction	Name	Error code	Error name
	EC_GetMasterStatistics	Read EtherCAT Master Diagnostic and Statistical Information	16#0419	Incorrect Data Type
			16#1800	EtherCAT Communications Error
			16#1808	Communications Resource Overflow
			16#180D	Diagnosis/Statistics Log Executing
			16#180E	Master Diagnostic and Statistical Information Instruction Multi-execution Disabled
	EC_ClearMasterStatistics	Clear EtherCAT Master Diagnostic and Statistical Information	16#1800	EtherCAT Communications Error
			16#1808	Communications Resource Overflow
			16#180D	Diagnosis/Statistics Log Executing
			16#180E	Master Diagnostic and Statistical Information Instruction Multi-execution Disabled
	EC_GetSlaveStatistics	Read EtherCAT Slave Diagnostic and Statistical Information	16#0400	Input Value Out of Range
			16#0419	Incorrect Data Type
			16#1800	EtherCAT Communications Error
			16#1808	Communications Resource Overflow
			16#180D	Diagnosis/Statistics Log Executing
			16#180F	Slave Diagnostic and Statistical Information Instruction Multi-execution Disabled
	EC_ClearSlaveStatistics	Clear EtherCAT Slave Diagnostic and Statistical Information	16#1800	EtherCAT Communications Error
			16#1808	Communications Resource Overflow
			16#180D	Diagnosis/Statistics Log Executing
			16#180F	Slave Diagnostic and Statistical Information Instruction Multi-execution Disabled

Type	Instruction	Name	Error code	Error name
	NX_WriteObj	Write NX Unit Object	16#0400	Input Value Out of Range
			16#0419	Incorrect Data Type
			16#041B	Data Capacity Exceeded
			16#2C00	NX Message Error
			16#2C01	NX Message Resource Overflow
			16#2C02	NX Message Timeout
			16#2C03	Incorrect NX Message Length
	NX_ReadObj	Read NX Unit Object	16#0400	Input Value Out of Range
			16#0410	Text String Format Error
			16#0419	Incorrect Data Type
			16#041C	Different Data Sizes
			16#2C00	NX Message Error
			16#2C01	NX Message Resource Overflow
16#2C02			NX Message Timeout	
IO-Link Communications Instructions	IOL_ReadObj	Read IO-Link Device Object	16#0400	Input Value Out of Range
			16#0410	Text String Format Error
			16#0419	Incorrect Data Type
			16#041C	Different Data Sizes
			16#4800	Device Error Received
			16#4801	Specified Unit Does Not Exist
			16#4802	Message Processing Limit Exceeded
			16#4803	Specified Unit Status Error
			16#4804	Too Many Simultaneous Instruction Executions
			16#4805	Communications Timeout
			16#4806	Invalid Mode
			16#4807	I/O Power OFF Status
			16#4808	Verification Error



Type	Instruction	Name	Error code	Error name
	IOL_WriteObj	Write IO-Link Device Object	16#0400	Input Value Out of Range
			16#0419	Incorrect Data Type
			16#041B	Data Capacity Exceeded
			16#4800	Device Error Received
			16#4801	Specified Unit Does Not Exist
			16#4802	Message Processing Limit Exceeded
			16#4803	Specified Unit Status Error
			16#4804	Too Many Simultaneous Instruction Executions
			16#4805	Communications Timeout
			16#4806	Invalid Mode
			16#4807	I/O Power OFF Status
		16#4808	Verification Error	
EtherNet/IP Communications Instructions	CIPOpen	Open CIP Class 3 Connection (Large_Forward_Open)	16#0400	Input Value Out of Range
			16#1C00	Explicit Message Error
			16#1C01	Incorrect Route Path
			16#1C03	CIP Communications Resource Overflow
			16#1C04	CIP Timeout
			16#1C05	Class-3 Connection Not Established
			16#2000	Local IP Address Setting Error
			16#2004	Local IP Address Not Set

Type	Instruction	Name	Error code	Error name
	CIPOpenWithDataSize	Open CIP Class 3 Connection with Specified Data Size	16#0400	Input Value Out of Range
			16#1C00	Explicit Message Error
			16#1C01	Incorrect Route Path
			16#1C03	CIP Communications Resource Overflow
			16#1C04	CIP Timeout
			16#1C05	Class-3 Connection Not Established
			16#2000	Local IP Address Setting Error
			16#2004	Local IP Address Not Set
	CIPRead	Read Variable Class 3 Explicit	16#0400	Input Value Out of Range
			16#0407	Data Range Exceeded
			16#0419	Incorrect Data Type
			16#1C00	Explicit Message Error
			16#1C02	CIP Handle Out Of Range
			16#1C03	CIP Communications Resource Overflow
			16#1C04	CIP Timeout
			16#1C06	CIP Communications Data Size Exceeded
	CIPWrite	Write Variable Class 3 Explicit	16#0400	Input Value Out of Range
			16#0406	Illegal Data Position Specified
			16#0407	Data Range Exceeded
			16#0419	Incorrect Data Type
			16#1C00	Explicit Message Error
			16#1C02	CIP Handle Out Of Range
			16#1C03	CIP Communications Resource Overflow
			16#1C04	CIP Timeout
16#1C06	CIP Communications Data Size Exceeded			





Type	Instruction	Name	Error code	Error name
CIPSend	Send Explicit Message Class 3		16#0400	Input Value Out of Range
			16#0401	Input Mismatch
			16#0406	Illegal Data Position Specified
			16#0407	Data Range Exceeded
			16#0419	Incorrect Data Type
			16#1C00	Explicit Message Error
			16#1C02	CIP Handle Out Of Range
			16#1C03	CIP Communications Resource Overflow
			16#1C04	CIP Timeout
			16#1C06	CIP Communications Data Size Exceeded
CIPCclose	Close CIP Class 3 Connection		16#1C02	CIP Handle Out Of Range
			16#1C03	CIP Communications Resource Overflow
CIPUCMMRead	Read Variable UCMM Explicit		16#0400	Input Value Out of Range
			16#0407	Data Range Exceeded
			16#0419	Incorrect Data Type
			16#1C00	Explicit Message Error
			16#1C01	Incorrect Route Path
			16#1C03	CIP Communications Resource Overflow
			16#1C04	CIP Timeout
			16#2000	Local IP Address Setting Error
			16#2004	Local IP Address Not Set

Type	Instruction	Name	Error code	Error name
	CIPUCMMWrite	Write Variable UCMM Explicit	16#0400	Input Value Out of Range
			16#0406	Illegal Data Position Specified
			16#0419	Incorrect Data Type
			16#1C00	Explicit Message Error
			16#1C01	Incorrect Route Path
			16#1C03	CIP Communications Resource Overflow
			16#1C04	CIP Timeout
			16#2000	Local IP Address Setting Error
			16#2004	Local IP Address Not Set
	CIPUCMMSend	Send Explicit Message UCMM	16#0400	Input Value Out of Range
			16#0401	Input Mismatch
			16#0406	Illegal Data Position Specified
			16#0407	Data Range Exceeded
			16#0419	Incorrect Data Type
			16#1C00	Explicit Message Error
			16#1C01	Incorrect Route Path
			16#1C03	CIP Communications Resource Overflow
			16#1C04	CIP Timeout
			16#2000	Local IP Address Setting Error
	SktUDPCreate	Create UDP Socket	16#0400	Input Value Out of Range
			16#2000	Local IP Address Setting Error
			16#2001	TCP/UDP Port Already in Use
			16#2003	Socket Status Error
			16#2004	Local IP Address Not Set
			16#2008	Socket Communications Resource Overflow



Type	Instruction	Name	Error code	Error name
	SktUDPRcv	UDP Socket Receive	16#0400	Input Value Out of Range
			16#0407	Data Range Exceeded
			16#0419	Incorrect Data Type
			16#2003	Socket Status Error
			16#2006	Socket Timeout
			16#2007	Socket Handle Out of Range
			16#2008	Socket Communications Resource Overflow
	SktUDPSend	UDP Socket Send	16#0400	Input Value Out of Range
			16#0406	Illegal Data Position Specified
			16#0419	Incorrect Data Type
			16#2002	Address Resolution Failed
			16#2003	Socket Status Error
			16#2007	Socket Handle Out of Range
			16#2008	Socket Communications Resource Overflow
	SktTCPAccept	Accept TCP Socket	16#0400	Input Value Out of Range
			16#2000	Local IP Address Setting Error
			16#2001	TCP/UDP Port Already in Use
			16#2002	Address Resolution Failed
			16#2003	Socket Status Error
			16#2004	Local IP Address Not Set
			16#2006	Socket Timeout
			16#2008	Socket Communications Resource Overflow

Type	Instruction	Name	Error code	Error name
	SktTCPConnect	Connect TCP Socket	16#0400	Input Value Out of Range
			16#2000	Local IP Address Setting Error
			16#2001	TCP/UDP Port Already in Use
			16#2002	Address Resolution Failed
			16#2003	Socket Status Error
			16#2004	Local IP Address Not Set
			16#2005	Unable to Use Built-in EtherNet/IP Port
			16#2006	Socket Timeout
			16#2008	Socket Communications Resource Overflow
	SktTCPRcv	TCP Socket Receive	16#0400	Input Value Out of Range
			16#0407	Data Range Exceeded
			16#0419	Incorrect Data Type
			16#2003	Socket Status Error
			16#2006	Socket Timeout
			16#2007	Socket Handle Out of Range
			16#2008	Socket Communications Resource Overflow
	SktTCPSEND	TCP Socket Send	16#0400	Input Value Out of Range
			16#0406	Illegal Data Position Specified
			16#0419	Incorrect Data Type
			16#2003	Socket Status Error
			16#2006	Socket Timeout
			16#2007	Socket Handle Out of Range
			16#2008	Socket Communications Resource Overflow
	SktGetTCPStatus	Read TCP Socket Status	16#2003	Socket Status Error
			16#2007	Socket Handle Out of Range
			16#2008	Socket Communications Resource Overflow

Type	Instruction	Name	Error code	Error name
	SkdClose	Close TCP/UDP Socket	16#2007	Socket Handle Out of Range
			16#2008	Socket Communications Resource Overflow
	SkdClearBuf	Clear TCP/UDP Socket Receive Buffer	16#2007	Socket Handle Out of Range
			16#2008	Socket Communications Resource Overflow
	SkdSetOption	Set TCP Socket Option	16#0400	Input Value Out of Range
			16#0419	Incorrect Data Type
			16#2003	Socket Status Error
			16#2007	Socket Handle Out of Range
	SkdTLSConnect	Establish TLS Session	16#0400	Input Value Out of Range
			16#2003	Socket Status Error
			16#2006	Socket Timeout
			16#2007	Socket Handle Out of Range
			16#2008	Socket Communications Resource Overflow
			16#200A	Invalid TLS Session Name
			16#200B	Access to the Certificate Failed
16#200C	TLS Session Establishment Error			
	SkdTLSRead	Receive TLS	16#0400	Input Value Out of Range
			16#0407	Data Range Exceeded
			16#0419	Incorrect Data Type
			16#2006	Socket Timeout
			16#2008	Socket Communications Resource Overflow
			16#200E	Invalid TLS Session Handle
16#200F	TLS Error			

Type	Instruction	Name	Error code	Error name
	SktTLSWrite	Send TLS	16#0400	Input Value Out of Range
			16#0406	Illegal Data Position Specified
			16#0419	Incorrect Data Type
			16#2006	Socket Timeout
			16#2008	Socket Communications Resource Overflow
			16#200E	Invalid TLS Session Handle
			16#200F	TLS Error
	SktTLSDisconnect	Disconnect TLS Session	16#2008	Socket Communications Resource Overflow
			16#200E	Invalid TLS Session Handle
			16#200F	TLS Error
	SktTLSClearBuf	Clear TLS Session Receive Buffer	16#2008	Socket Communications Resource Overflow
			16#200E	Invalid TLS Session Handle
	SktTLSStopLog	Stop Secure Socket Communications Log	16#2008	Socket Communications Resource Overflow
	ModbusTCPcmd	Send Modbus TCP General Command	16#0400	Input Value Out of Range
			16#0406	Illegal Data Position Specified
			16#0407	Data Range Exceeded
			16#0C10	Exceptional Modbus Response
			16#0C11	Invalid Modbus Response
			16#2003	Socket Status Error
			16#2006	Socket Timeout
			16#2007	Socket Handle Out of Range
			16#2008	Socket Communications Resource Overflow

Type	Instruction	Name	Error code	Error name
ModbusTCPRead	Send Modbus TCP Read Command		16#0400	Input Value Out of Range
			16#0406	Illegal Data Position Specified
			16#0407	Data Range Exceeded
			16#0419	Incorrect Data Type
			16#0C10	Exceptional Modbus Response
			16#0C11	Invalid Modbus Response
			16#2003	Socket Status Error
			16#2006	Socket Timeout
			16#2007	Socket Handle Out of Range
			16#2008	Socket Communications Resource Overflow
ModbusTCPWrite	Send Modbus TCP Write Command		16#0400	Input Value Out of Range
			16#0406	Illegal Data Position Specified
			16#0419	Incorrect Data Type
			16#0C10	Exceptional Modbus Response
			16#0C11	Invalid Modbus Response
			16#2003	Socket Status Error
			16#2006	Socket Timeout
			16#2007	Socket Handle Out of Range
			16#2008	Socket Communications Resource Overflow
ChangeIPAdr	Change IP Address		16#0400	Input Value Out of Range
			16#040D	Illegal Unit Specified
			16#2400	No Execution Right
ChangeXBusUnitIPAdr	Change IP Address of X Bus Unit		16#0400	Input Value Out of Range
			16#2400	No Execution Right
			16#2402	Too Many Simultaneous Instruction Executions
			16#240D	IP Address Setting Invalid
ChangeFTPAccount	Change FTP Account		16#0400	Input Value Out of Range
			16#040D	Illegal Unit Specified
			16#2400	No Execution Right

Type	Instruction	Name	Error code	Error name
	ChangeNTPServerAdr	Change NTP Server Address	16#0400	Input Value Out of Range
			16#040D	Illegal Unit Specified
			16#2400	No Execution Right
	FTPGetFileList	Get FTP Server File List	16#0400	Input Value Out of Range
			16#2403	FTP Client Execution Limit Exceeded
			16#2405	Directory Does Not Exist (FTP)
			16#2406	FTP Server Connection Error
			16#2407	Destination FTP Server Execution Failure
	FTPGetFile	Get File from FTP Server	16#0400	Input Value Out of Range
			16#2403	FTP Client Execution Limit Exceeded
			16#2404	File Number Limit Exceeded
			16#2405	Directory Does Not Exist (FTP)
			16#2406	FTP Server Connection Error
			16#2407	Destination FTP Server Execution Failure
			16#2408	SD Memory Card Access Failed for FTP
			16#2409	Specified File Does Not Exist
			16#240A	Specified File Is Write Protected
			16#240C	Specified File Access Failed



Type	Instruction	Name	Error code	Error name
	FTPputFile	Put File onto FTP Server	16#0400	Input Value Out of Range
			16#2403	FTP Client Execution Limit Exceeded
			16#2404	File Number Limit Exceeded
			16#2405	Directory Does Not Exist (FTP)
			16#2406	FTP Server Connection Error
			16#2407	Destination FTP Server Execution Failure
			16#2408	SD Memory Card Access Failed for FTP
			16#2409	Specified File Does Not Exist
			16#240A	Specified File Is Write Protected
			16#240B	Failed To Delete Specified File
			16#240C	Specified File Access Failed
				FTPRemoveFile
16#2403	FTP Client Execution Limit Exceeded			
16#2404	File Number Limit Exceeded			
16#2405	Directory Does Not Exist (FTP)			
16#2406	FTP Server Connection Error			
16#2407	Destination FTP Server Execution Failure			
16#2409	Specified File Does Not Exist			
	FTPRemoveDir	Delete FTP Server Directory	16#0400	Input Value Out of Range
			16#2405	Directory Does Not Exist (FTP)
			16#2406	FTP Server Connection Error
			16#2407	Destination FTP Server Execution Failure

Type	Instruction	Name	Error code	Error name
Serial Communications Instructions	ExecPMCR	Protocol Macro	16#0400	Input Value Out of Range
			16#0406	Illegal Data Position Specified
			16#0407	Data Range Exceeded
			16#040D	Illegal Unit Specified
			16#0413	Undefined CJ-series Memory Address
			16#0419	Incorrect Data Type
			16#0C00	Illegal Serial Communications Mode
			16#0800	FINS Error
			16#0801	FINS Port Already in Use
	SerialSend	SCU Send Serial	16#0400	Input Value Out of Range
			16#0406	Illegal Data Position Specified
			16#040D	Illegal Unit Specified
			16#0419	Incorrect Data Type
			16#0C00	Illegal Serial Communications Mode
			16#0800	FINS Error
	SerialRcv	SCU Receive Serial	16#0400	Input Value Out of Range
16#0407			Data Range Exceeded	
16#040D			Illegal Unit Specified	
16#0419			Incorrect Data Type	
16#0C00			Illegal Serial Communications Mode	
16#0800			FINS Error	
SerialRcvNoClear	SCU Receive Serial without Receive Buffer Clear	16#0400	Input Value Out of Range	
		16#0407	Data Range Exceeded	
		16#040D	Illegal Unit Specified	
		16#0419	Incorrect Data Type	
		16#0C00	Illegal Serial Communications Mode	
		16#0800	FINS Error	
		16#0801	FINS Port Already in Use	

Type	Instruction	Name	Error code	Error name
	SendCmd	Send Command	16#0400	Input Value Out of Range
			16#0406	Illegal Data Position Specified
			16#0407	Data Range Exceeded
			16#0419	Incorrect Data Type
			16#0800	FINS Error
			16#0801	FINS Port Already in Use
	NX_SerialSend	Send No-protocol Data	16#0400	Input Value Out of Range
			16#0406	Illegal Data Position Specified
			16#040D	Illegal Unit Specified
			16#0419	Incorrect Data Type
			16#041D	Exceeded Simultaneous Instruction Executed Resources
			16#0C04	Multi-execution of Ports
			16#0C0C	Instruction Executed to Inapplicable Port
			16#0C0D	CIF Unit Initialized
	NX_SerialRcv	Receive No-protocol Data	16#0400	Input Value Out of Range
			16#0406	Illegal Data Position Specified
			16#0407	Data Range Exceeded
			16#040D	Illegal Unit Specified
			16#0419	Incorrect Data Type
			16#041D	Exceeded Simultaneous Instruction Executed Resources
			16#0C03	Full Reception Buffer
			16#0C04	Multi-execution of Ports
			16#0C05	Parity Error
			16#0C06	Framing Error
			16#0C07	Overrun Error
			16#0C0B	Serial Communications Timeout
			16#0C0C	Instruction Executed to Inapplicable Port
			16#0C0D	CIF Unit Initialized

Type	Instruction	Name	Error code	Error name
	NX_ModbusRtuCmd	Send Modbus RTU General Command	16#0400	Input Value Out of Range
			16#0406	Illegal Data Position Specified
			16#0407	Data Range Exceeded
			16#040D	Illegal Unit Specified
			16#0419	Incorrect Data Type
			16#041D	Exceeded Simultaneous Instruction Executed Resources
			16#0C03	Full Reception Buffer
			16#0C04	Multi-execution of Ports
			16#0C05	Parity Error
			16#0C06	Framing Error
			16#0C07	Overrun Error
			16#0C08	CRC Mismatch
			16#0C0B	Serial Communications Timeout
			16#0C0C	Instruction Executed to Inapplicable Port
			16#0C0D	CIF Unit Initialized
16#0C10	Exceptional Modbus Response			
16#0C11	Invalid Modbus Response			

Type	Instruction	Name	Error code	Error name
	NX_ModbusRtuRead	Send Modbus RTU Read Command	16#0400	Input Value Out of Range
			16#0406	Illegal Data Position Specified
			16#040D	Illegal Unit Specified
			16#0419	Incorrect Data Type
			16#041D	Exceeded Simultaneous Instruction Executed Resources
			16#0C03	Full Reception Buffer
			16#0C04	Multi-execution of Ports
			16#0C05	Parity Error
			16#0C06	Framing Error
			16#0C07	Overrun Error
			16#0C08	CRC Mismatch
			16#0C0B	Serial Communications Timeout
			16#0C0C	Instruction Executed to Inapplicable Port
			16#0C0D	CIF Unit Initialized
	16#0C10	Exceptional Modbus Response		
	16#0C11	Invalid Modbus Response		

Type	Instruction	Name	Error code	Error name
NX_ModbusRtuWrite	Send Modbus RTU Write Command		16#0400	Input Value Out of Range
			16#0406	Illegal Data Position Specified
			16#040D	Illegal Unit Specified
			16#0419	Incorrect Data Type
			16#041D	Exceeded Simultaneous Instruction Executed Resources
			16#0C03	Full Reception Buffer
			16#0C04	Multi-execution of Ports
			16#0C05	Parity Error
			16#0C06	Framing Error
			16#0C07	Overrun Error
			16#0C08	CRC Mismatch
			16#0C0B	Serial Communications Timeout
			16#0C0C	Instruction Executed to Inapplicable Port
			16#0C0D	CIF Unit Initialized
			16#0C10	Exceptional Modbus Response
16#0C11	Invalid Modbus Response			
NX_SerialSigCtl	Serial Control Signal ON/OFF Switching		16#0400	Input Value Out of Range
			16#040D	Illegal Unit Specified
			16#0419	Incorrect Data Type
			16#041D	Exceeded Simultaneous Instruction Executed Resources
			16#0C04	Multi-execution of Ports
			16#0C0B	Serial Communications Timeout
			16#0C0C	Instruction Executed to Inapplicable Port
			16#0C0D	CIF Unit Initialized

Type	Instruction	Name	Error code	Error name
	NX_SerialSigRead	Read Serial Control Signal	16#0400	Input Value Out of Range
			16#040D	Illegal Unit Specified
			16#0419	Incorrect Data Type
			16#041D	Exceeded Simultaneous Instruction Executed Resources
			16#0C04	Multi-execution of Ports
			16#0C0B	Serial Communications Timeout
			16#0C0C	Instruction Executed to Inapplicable Port
			16#0C0D	CIF Unit Initialized
	NX_SerialStatusRead	Read Serial Port Status	16#0400	Input Value Out of Range
			16#040D	Illegal Unit Specified
			16#0419	Incorrect Data Type
			16#041D	Exceeded Simultaneous Instruction Executed Resources
			16#0C04	Multi-execution of Ports
			16#0C0B	Serial Communications Timeout
			16#0C0C	Instruction Executed to Inapplicable Port
			16#0C0D	CIF Unit Initialized
	NX_SerialBufClear	Clear Buffer	16#0400	Input Value Out of Range
			16#040D	Illegal Unit Specified
			16#0419	Incorrect Data Type
			16#041D	Exceeded Simultaneous Instruction Executed Resources
			16#0C04	Multi-execution of Ports
			16#0C0B	Serial Communications Timeout
			16#0C0C	Instruction Executed to Inapplicable Port
			16#0C0D	CIF Unit Initialized

Type	Instruction	Name	Error code	Error name
	NX_SerialStartMon	Start Serial Line Monitoring	16#0400	Input Value Out of Range
			16#040D	Illegal Unit Specified
			16#0419	Incorrect Data Type
			16#041D	Exceeded Simultaneous Instruction Executed Resources
			16#0C04	Multi-execution of Ports
			16#0C0B	Serial Communications Timeout
			16#0C0C	Instruction Executed to Inapplicable Port
			16#0C0D	CIF Unit Initialized
	NX_SerialStopMon	Stop Serial Line Monitoring	16#0400	Input Value Out of Range
			16#040D	Illegal Unit Specified
			16#0419	Incorrect Data Type
			16#041D	Exceeded Simultaneous Instruction Executed Resources
			16#0C04	Multi-execution of Ports
			16#0C0B	Serial Communications Timeout
			16#0C0C	Instruction Executed to Inapplicable Port
			16#0C0D	CIF Unit Initialized





Type	Instruction	Name	Error code	Error name
SD Memory Card Instructions	FileWriteVar	Write Variable to File	16#0400	Input Value Out of Range
			16#1400	SD Memory Card Access Failure
			16#1401	SD Memory Card Write-protected
			16#1402	SD Memory Card Insufficient Capacity
			16#1403	File Does Not Exist
			16#1404	Too Many Files/ Directories
			16#1405	File Already in Use
			16#1409	That File Name Already Exists
			16#140A	Write Access Denied
			16#140B	Too Many Files Open
			16#140D	File or Directory Name Is Too Long
			16#140E	SD Memory Card Access Failed
				FileReadVar
16#1400	SD Memory Card Access Failure			
16#1403	File Does Not Exist			
16#1405	File Already in Use			
16#140B	Too Many Files Open			
16#140D	File or Directory Name Is Too Long			
16#140E	SD Memory Card Access Failed			

Type	Instruction	Name	Error code	Error name
FileOpen	Open File	Open File	16#0400	Input Value Out of Range
			16#1400	SD Memory Card Access Failure
			16#1401	SD Memory Card Write-protected
			16#1403	File Does Not Exist
			16#1404	Too Many Files/ Directories
			16#1405	File Already in Use
			16#140A	Write Access Denied
			16#140B	Too Many Files Open
			16#140D	File or Directory Name Is Too Long
			16#140E	SD Memory Card Access Failed
FileClose	Close File	Close File	16#1400	SD Memory Card Access Failure
			16#1403	File Does Not Exist
			16#1405	File Already in Use
			16#140E	SD Memory Card Access Failed
FileSeek	Seek File	Seek File	16#0400	Input Value Out of Range
			16#1400	SD Memory Card Access Failure
			16#1403	File Does Not Exist
			16#1405	File Already in Use
			16#1407	Offset Out of Range
			16#140E	SD Memory Card Access Failed
FileRead	Read File	Read File	16#0406	Illegal Data Position Specified
			16#0419	Incorrect Data Type
			16#1400	SD Memory Card Access Failure
			16#1403	File Does Not Exist
			16#1405	File Already in Use
			16#1406	Open Mode Mismatch
			16#140E	SD Memory Card Access Failed

Type	Instruction	Name	Error code	Error name
FileWrite	Write File		16#0406	Illegal Data Position Specified
			16#0419	Incorrect Data Type
			16#1400	SD Memory Card Access Failure
			16#1401	SD Memory Card Write-protected
			16#1402	SD Memory Card Insufficient Capacity
			16#1403	File Does Not Exist
			16#1405	File Already in Use
			16#1406	Open Mode Mis-match
FileGets	Get Text String		16#1400	SD Memory Card Access Failure
			16#1403	File Does Not Exist
			16#1405	File Already in Use
			16#1406	Open Mode Mis-match
			16#140E	SD Memory Card Access Failed
FilePuts	Put Text String		16#1400	SD Memory Card Access Failure
			16#1401	SD Memory Card Write-protected
			16#1402	SD Memory Card Insufficient Capacity
			16#1403	File Does Not Exist
			16#1405	File Already in Use
			16#1406	Open Mode Mis-match
			16#140E	SD Memory Card Access Failed



Type	Instruction	Name	Error code	Error name
FileCopy	Copy File	Copy File	16#0400	Input Value Out of Range
			16#1400	SD Memory Card Access Failure
			16#1401	SD Memory Card Write-protected
			16#1402	SD Memory Card Insufficient Capacity
			16#1403	File Does Not Exist
			16#1404	Too Many Files/ Directories
			16#1405	File Already in Use
			16#1409	That File Name Already Exists
			16#140A	Write Access Denied
			16#140B	Too Many Files Open
			16#140D	File or Directory Name Is Too Long
			16#140E	SD Memory Card Access Failed
			FileRemove	Delete File
16#1400	SD Memory Card Access Failure			
16#1401	SD Memory Card Write-protected			
16#1403	File Does Not Exist			
16#1405	File Already in Use			
16#140A	Write Access Denied			
16#140B	Too Many Files Open			
16#140D	File or Directory Name Is Too Long			
16#140E	SD Memory Card Access Failed			

Type	Instruction	Name	Error code	Error name
FileRename	Change File Name		16#0400	Input Value Out of Range
			16#1400	SD Memory Card Access Failure
			16#1401	SD Memory Card Write-protected
			16#1403	File Does Not Exist
			16#1404	Too Many Files/ Directories
			16#1405	File Already in Use
			16#1408	Directory Not Empty
			16#1409	That File Name Already Exists
			16#140A	Write Access Denied
			16#140B	Too Many Files Open
			16#140D	File or Directory Name Is Too Long
			16#140E	SD Memory Card Access Failed
DirCreate	Create Directory		16#0400	Input Value Out of Range
			16#1400	SD Memory Card Access Failure
			16#1401	SD Memory Card Write-protected
			16#1402	SD Memory Card Insufficient Capacity
			16#1404	Too Many Files/ Directories
			16#1405	File Already in Use
			16#1409	That File Name Already Exists
			16#140B	Too Many Files Open
			16#140C	Directory Does Not Exist
			16#140D	File or Directory Name Is Too Long
			16#140E	SD Memory Card Access Failed



Type	Instruction	Name	Error code	Error name
	DirRemove	Delete Directory	16#0400	Input Value Out of Range
			16#1400	SD Memory Card Access Failure
			16#1401	SD Memory Card Write-protected
			16#1405	File Already in Use
			16#1408	Directory Not Empty
			16#140A	Write Access Denied
			16#140B	Too Many Files Open
			16#140C	Directory Does Not Exist
			16#140D	File or Directory Name Is Too Long
			16#140E	SD Memory Card Access Failed
	BackupToMemoryCard	SD Memory Card Backup	16#0400	Input Value Out of Range
			16#1400	SD Memory Card Access Failure
			16#1401	SD Memory Card Write-protected
			16#1402	SD Memory Card Insufficient Capacity
			16#1404	Too Many Files/ Directories
			16#1409	That File Name Already Exists
			16#140C	Directory Does Not Exist
			16#140E	SD Memory Card Access Failed
			16#140F	Backup Operation Already in Progress
			16#1410	Cannot Execute Backup
			16#1411	Unit/Slave Backup Failed

## A-2 Error Codes

---

The lower four digits of the event code give the error code for the instruction.

For descriptions of the error codes, refer to the descriptions of the corresponding event codes. For example, if the error code of the instruction is 16#0400, refer to the description of the event with event code 54010400 hex.

Refer to the *NJ/NX-series Troubleshooting Manual (Cat. No. W503)* for event codes.



### Version Information

---

Event codes for instructions are supported by CPU Units with unit version 1.02 or later.

---

# A-3 Instructions You Cannot Use in Event Tasks

An event task is executed only once when the specified execution condition is met. They are not executed repeatedly each task period. Therefore, programs that contain instructions that are executed over more than one task period cannot be assigned to event tasks.

The instructions in the following table are executed over more than one task period. Do not use these instructions in programs that are assigned to an event task. If you do, a building error will occur.

Type	Instruction	Name	Page
Stack and Table Instructions	RecSort	Record Sort	page 2-553
Analog Control Instructions	PIDAT	PID Control with Autotuning	page 2-716
	PIDAT_HeatCool	Heating/Cooling PID with Autotuning	page 2-747
	AC_StepProgram	Step Program	page 2-836
System Control Instructions	ResetPLCError	Reset PLC Controller Error	page 2-884
	ResetCJBError	Reset I/O Bus Error	page 2-890
	ResetMCErr	Reset Motion Control Error	page 2-896
	ResetECErr	Reset EtherCAT Error	page 2-904
	ResetNXBErr	Reset NX Bus Error	page 2-909
	GetNXUnitErr	Get NX Unit Error Status	page 2-913
	ResetXBUnitErr	Reset X Bus Unit Error	page 2-920
	GetXBUnitErr	Get X Bus Unit Error Status	page 2-924
	ResetUnit	Restart Unit	page 2-929
	RestartNXUnit	Restart NX Unit	page 2-936
	NX_ChangeWriteMode	Change to NX Unit Write Mode	page 2-942
	NX_SaveParam	Save NX Unit Parameters	page 2-948
	NX_ReadTotalPowerOnTime	Read NX Unit Total Power ON Time	page 2-957
	XBUnit_ReadTotalPowerOnTime	Read X Bus Unit Total Power ON Time	page 2-965
	APB_ChangeSamplingSettings	Change Sampling Settings	page 2-967
EtherCAT Communications Instructions	EC_CoESDOWrite	Write EtherCAT CoE SDO	page 2-1006
	EC_CoESDORead	Read EtherCAT CoE SDO	page 2-1009
	EC_StartMon	Start EtherCAT Packet Monitor	page 2-1015
	EC_StopMon	Stop EtherCAT Packet Monitor	page 2-1021
	EC_SaveMon	Save EtherCAT Packets	page 2-1023
	EC_CopyMon	Transfer EtherCAT Packets	page 2-1025
	EC_DisconnectSlave	Disconnect EtherCAT Slave	page 2-1027
	EC_ConnectSlave	Connect EtherCAT Slave	page 2-1035
	EC_ChangeEnableSetting	Enable/Disable EtherCAT Slave	page 2-1037
EC_GetMasterStatistics	Read EtherCAT Master Diagnostic and Statistical Information	page 2-1057	



Type	Instruction	Name	Page
	EC_ClearMasterStatistics	Clear EtherCAT Master Diagnostic and Statistical Information	page 2-1060
	EC_GetSlaveStatistics	Read EtherCAT Slave Diagnostic and Statistical Information	page 2-1062
	EC_ClearSlaveStatistics	Clear EtherCAT Slave Diagnostic and Statistical Information	page 2-1065
	NX_WriteObj	Write NX Unit Object	page 2-1067
	NX_ReadObj	Read NX Unit Object	page 2-1083
IO-Link Communications Instructions	IOL_ReadObj	Read IO-Link Device Object	page 2-1092
	IOL_WriteObj	Write IO-Link Device Object	page 2-1101
EtherNet/IP Communications Instructions	CIPOpen	Open CIP Class 3 Connection (Large_Forward_Open)	page 2-1113
	CIPOpenWithDataSize	Open CIP Class 3 Connection with Specified Data Size	page 2-1123
	CIPRead	Read Variable Class 3 Explicit	page 2-1127
	CIPWrite	Write Variable Class 3 Explicit	page 2-1133
	CIPSend	Send Explicit Message Class 3	page 2-1139
	CIPCclose	Close CIP Class 3 Connection	page 2-1144
	CIPUCMMRead	Read Variable UCMM Explicit	page 2-1147
	CIPUCMMWrite	Write Variable UCMM Explicit	page 2-1153
	CIPUCMMSend	Send Explicit Message UCMM	page 2-1160
	SkUDPCreate	Create UDP Socket	page 2-1171
	SkUDPRcv	UDP Socket Receive	page 2-1179
	SkUDPSend	UDP Socket Send	page 2-1183
	SkTCPAccept	Accept TCP Socket	page 2-1186
	SkTCPConnect	Connect TCP Socket	page 2-1189
	SkTCPRcv	TCP Socket Receive	page 2-1198
	SkTCPSTransmit	TCP Socket Send	page 2-1201
	SkGetTCPStatus	Read TCP Socket Status	page 2-1204
	SkClose	Close TCP/UDP Socket	page 2-1207
	SkClearBuf	Clear TCP/UDP Socket Receive Buffer	page 2-1210
	SkSetOption	Set TCP Socket Option	page 2-1213
	SkTLSConnect	Establish TLS Session	page 2-1218
	SkTLSRead	Receive TLS	page 2-1228
	SkTLSWrite	Send TLS	page 2-1231
	SkTLSDisconnect	Disconnect TLS Session	page 2-1233
	SkTLSClearBuf	Clear TLS Session Receive Buffer	page 2-1235
	SkTLSStopLog	Stop Secure Socket Communications Log	page 2-1237
	ChangeIPAdr	Change IP Address	page 2-1264
	ChangeXBusUnitIPAdr	Change IP Address of X Bus Unit	page 2-1274
	ChangeFTPAccount	Change FTP Account	page 2-1278
	ChangeNTPServerAdr	Change NTP Server Address	page 2-1282
	FTPGetFileList	Get FTP Server File List	page 2-1287
	FTPGetFile	Get File from FTP Server	page 2-1302



Type	Instruction	Name	Page
Serial Communications Instructions	FTPPutFile	Put File onto FTP Server	page 2-1311
	FTPRemoveFile	Delete FTP Server File	page 2-1322
	FTPRemoveDir	Delete FTP Server Directory	page 2-1332
	ExecPMCR	Protocol Macro	page 2-1338
	SerialSend	SCU Send Serial	page 2-1352
	SerialRcv	SCU Receive Serial	page 2-1363
	SerialRcvNoClear	SCU Receive Serial without Receive Buffer Clear	page 2-1363
	SendCmd	Send Command	page 2-1378
	NX_SerialSend	Send No-protocol Data	page 2-1391
	NX_SerialRcv	Receive No-protocol Data	page 2-1404
	NX_ModbusRtuCmd	Send Modbus RTU General Command	page 2-1419
	NX_ModbusRtuRead	Send Modbus RTU Read Command	page 2-1430
	NX_ModbusRtuWrite	Send Modbus RTU Write Command	page 2-1441
	NX_SerialSigCtl	Serial Control Signal ON/OFF Switching	page 2-1452
	NX_SerialSigRead	Read Serial Control Signal	page 2-1460
	NX_SerialStatusRead	Read Serial Port Status	page 2-1465
	SD Memory Card Instructions	NX_SerialBufClear	Clear Buffer
NX_SerialStartMon		Start Serial Line Monitoring	page 2-1480
NX_SerialStopMon		Stop Serial Line Monitoring	page 2-1485
FileWriteVar		Write Variable to File	page 2-1490
FileReadVar		Read Variable from File	page 2-1496
FileOpen		Open File	page 2-1502
FileClose		Close File	page 2-1506
FileSeek		Seek File	page 2-1509
FileRead		Read File	page 2-1512
FileWrite		Write File	page 2-1520
FileGets		Get Text String	page 2-1528
FilePuts		Put Text String	page 2-1536
FileCopy		Copy File	page 2-1545
FileRemove		Delete File	page 2-1553
FileRename	Change File Name	page 2-1558	
DirCreate	Create Directory	page 2-1564	
DirRemove	Delete Directory	page 2-1567	
BackupToMemoryCard	SD Memory Card Backup	page 2-1570	
Time Stamp Instructions	NX_DOutTimeStamp	Write Digital Output with Specified Time Stamp	page 2-1584
	NX_AryDOutTimeStamp	Write Digital Output Array with Specified Time Stamp	page 2-1590

## A-4 Instructions Related to NX Message Communications Errors

If too many of the following instructions are executed at the same time, an *NX Message Communications Error* may occur. If an *NX Message Communications Error* occurs, reduce the number of the following instructions that are executed. The conditions for an *NX Message Communications Error* depends on factors such as the communications traffic.

Classification	Instruction	Name	Page
System Control Instructions	RestartNXUnit	Restart NX Unit	page 2-936
	NX_ChangeWriteMode	Change to NX Unit Write Mode	page 2-942
	NX_SaveParam	Save NX Unit Parameters	page 2-948
	NX_ReadTotalPowerOnTime	Read NX Unit Total Power ON Time	page 2-957
EtherCAT Communications Instructions	EC_CoESDOWrite	Write EtherCAT CoE SDO	page 2-1006
	EC_CoESDORead	Read EtherCAT CoE SDO	page 2-1009
	EC_StartMon	Start EtherCAT Packet Monitor	page 2-1015
	EC_StopMon	Stop EtherCAT Packet Monitor	page 2-1021
	EC_SaveMon	Save EtherCAT Packets	page 2-1023
	EC_CopyMon	Transfer EtherCAT Packets	page 2-1025
	EC_DisconnectSlave	Disconnect EtherCAT Slave	page 2-1027
	EC_ConnectSlave	Connect EtherCAT Slave	page 2-1035
	EC_ChangeEnableSetting	Enable/Disable EtherCAT Slave	page 2-1037
	NX_WriteObj	Write NX Unit Object	page 2-1067
	NX_ReadObj	Read NX Unit Object	page 2-1083
IO-Link Communications Instructions	IOL_ReadObj	Read IO-Link Device Object	page 2-1092
	IOL_WriteObj	Write IO-Link Device Object	page 2-1101



### Version Information

A CPU Unit with unit version 1.05 or later and Sysmac Studio version 1.06 or higher are required for an *NX Message Communications Error* to occur.

## A-5 SDO Abort Codes

As reference information, the following table lists the SDO abort codes for EtherCAT communications. The abort codes that are used in actual communications are specified by the slaves. Refer to the slave manuals when programming communications.

Value	Meaning
16#05030000	Toggle bit not changed
16#05040000	SDO protocol timeout
16#05040001	Client/Server command specifier not valid or unknown
16#05040005	Out of memory
16#06010000	Unsupported access to an object
16#06010001	Attempt to read to a write only object
16#06010002	Attempt to write to a read only object
16#06020000	The object does not exist in the object directory
16#06040041	The object cannot be mapped into the PDO
16#06040042	The number and length of the objects to be mapped would exceed the PDO length
16#06040043	General parameter incompatibility reason
16#06040047	General internal incompatibility in the device
16#06060000	Access failed due to a hardware error
16#06070010	Data type does not match, length of service parameter does not match
16#06070012	Data type does not match, length of service parameter too high
16#06070013	Data type does not match, length of service parameter too low
16#06090011	Subindex does not exist
16#06090030	Value range of parameter exceeded (only for write access)
16#06090031	Value of parameter written too high
16#06090032	Value of parameter written too low
16#06090036	Maximum value is less than minimum value
16#08000000	General error
16#08000020	Data cannot be transferred or stored to the application
16#08000021	Data cannot be transferred or stored to the application because of local control <sup>*1</sup>
16#08000022	Data cannot be transferred or stored to the application because of the present device state
16#08000023	Object dictionary dynamic generation failed or no object dictionary is present

\*1. This is internal status that is unique to the slave.

Source: EtherCAT Specification Part 6 Application Layer Protocol Specification.  
Document No.: ETG.1000.6 S (R) V1.0.2

# A-6 Version Information

This appendix lists the instructions for which specifications were changed and instructions that were added for different unit versions of the CPU Units and for different versions of the Sysmac Studio. It also describes the actions to take if the following error message is displayed for Sysmac Studio version 1.02.

- The instruction may cause unintended operations.

## A-6-1 Instructions with Specifications Changes and New Instructions for Version Upgrades

The instructions that are supported and their specifications depend on the unit version of the CPU Unit and the version of the Sysmac Studio. These are given in the following table.

If a version is given for both the CPU Unit and Sysmac Studio, both versions are required.

Type	Instruction	Name	New/Changed	Versions		Page
				CPU Unit	Sysmac Studio	
ST Statement Instructions	FOR	Repeat Start	Changed	---	Ver. 1.08	page 2-46
Sequence Input Instructions	R_TRIG	Up Trigger	Changed	Ver. 1.02	---	page 2-48
Sequence Output Instructions	RS	Reset-Priority Keep	Changed	---	Ver. 1.03	page 2-56
	SR	Set-Priority Keep	Changed	---	Ver. 1.03	page 2-59
Comparison Instructions	EQ (=)	Equal	Changed	---	Ver. 1.02	page 2-102
	NE (<>)	Not Equal	Changed	---	Ver. 1.02	page 2-105
	LT (<)	Less Than	Changed	---	Ver. 1.02	page 2-108
	LE (<=)	Less Than Or Equal	Changed	---	Ver. 1.02	page 2-108
	GT (>)	Greater Than	Changed	---	Ver. 1.02	page 2-108
	GE (>=)	Greater Than Or Equal	Changed	---	Ver. 1.02	page 2-108
	ZoneCmp	Zone Comparison	Changed	Ver. 1.01	Ver. 1.02	page 2-120
	Counter Instructions	CTD	Down-counter	Changed	---	Ver. 1.03
CTD_**		Down-counter Group	Changed	---	Ver. 1.03	page 2-158
CTU		Up-counter	Changed	---	Ver. 1.03	page 2-161
CTU_**		Up-counter Group	Changed	---	Ver. 1.03	page 2-164
CTUD		Up-down Counter	Changed	---	Ver. 1.03	page 2-167
CTUD_**		Up-down Counter Group	Changed	---	Ver. 1.03	page 2-172
Math Instructions	EXPT(**)	Exponentiation	Changed	Ver. 1.16	Ver. 1.20	page 2-226
Data Type Conversion Instructions	EnumToNum	Enumeration-to-Integer	New	Ver. 1.02	Ver. 1.03	page 2-333
	NumToEnum	Integer-to-Enumeration	New	Ver. 1.02	Ver. 1.03	page 2-335
Selection Instructions	SEL	Binary Selection	Changed	Ver. 1.02	Ver. 1.03	page 2-354
	MUX	Multiplexer	Changed	Ver. 1.02	Ver. 1.03	page 2-356

Type	Instruction	Name	New/ Change d	Versions		Page
				CPU Unit	Sysmac Studio	
	AryMax	Array Maximum	Changed	Ver. 1.01	Ver. 1.02	page 2-367
	AryMin	Array Minimum	Changed	Ver. 1.01	Ver. 1.02	page 2-367
	ArySearch	Array Search	Changed	Ver. 1.01	Ver. 1.02	page 2-370
Shift Instruc- tions	SHL	N-bit Left Shift	Changed	Ver. 1.02	Ver. 1.03	page 2-416
	SHR	N-bit Right Shift	Changed	Ver. 1.02	Ver. 1.03	page 2-416
	ROL	Rotate N-bits Left	Changed	Ver. 1.02	Ver. 1.03	page 2-422
	ROR	Rotate N-bits Right	Changed	Ver. 1.02	Ver. 1.03	page 2-422
Conversion In- structions	UTF8ToSJIS	UTF-8 to SJIS Character Code Conversion	New	Ver. 1.01	Ver. 1.02	page 2-446
	SJISToUTF8	SJIS to UTF-8 Character Code Conversion	New	Ver. 1.01	Ver. 1.02	page 2-448
	PWLApproxNoLineChk	Broken Line Approximation without Broken Line Data Check	New	Ver. 1.03	Ver. 1.04	page 2-450
	PWLLineChk	Broken Line Data Check	New	Ver. 1.03	Ver. 1.04	page 2-456
	PackWord	2-byte Join	New	Ver. 1.12	Ver. 1.16	page 2-516
	PackDword	4-byte Join	New	Ver. 1.12	Ver. 1.16	page 2-518
	LOWER_BOUND	Get First Number of Array	New	Ver.1.18	Ver.1.22	page 2-520
	UPPER_BOUND	Get Last Number of Array	New	Ver.1.18	Ver.1.22	page 2-520
Stack and Ta- ble Instruc- tions	RecSearch	Record Search	Changed	Ver. 1.01	Ver. 1.02	page 2-543
	RecRangeSearch	Range Record Search	Changed	Ver. 1.01	Ver. 1.02	page 2-548
	RecSort	Record Sort	Changed	Ver. 1.01	Ver. 1.02	page 2-553
	RecNum	Get Number of Records	Changed	Ver. 1.01	Ver. 1.02	page 2-559
				Ver. 1.02	Ver. 1.03	
	RecMax	Maximum Record Search	Changed	Ver. 1.01	Ver. 1.02	page 2-562
RecMin	Minimum Record Search	Changed	Ver. 1.01	Ver. 1.02	page 2-562	
Text String In- structions	AddDelimiter	Put Text Strings with Delimiters	New	Ver. 1.02	Ver. 1.03	page 2-609
	SubDelimiter	Get Text Strings Minus Delimiters	New	Ver. 1.02	Ver. 1.03	page 2-621
	StringMD5	Convert String to MD5	New	Ver.1.63	Ver.1.55	page 2-633
Time and Time of Day Instruc- tions	TruncTime	Truncate Time	New	Ver. 1.01	Ver. 1.02	page 2-702
	TruncDt	Truncate Date and Time	New	Ver. 1.01	Ver. 1.02	page 2-706
	TruncTod	Truncate Time of Day	New	Ver. 1.01	Ver. 1.02	page 2-710
Analog Control Instructions	PIDAT_HeatCool	Heating/Cooling PID with Autotuning	New	Ver. 1.08	Ver. 1.09	page 2-747
	TimeProportionalOut	Time-proportional output	New	Ver. 1.02	Ver. 1.03	page 2-785
	LimitAlarm_**	Upper/Lower Limit Alarm Group	New	Ver. 1.02	Ver. 1.03	page 2-805

Type	Instruction	Name	New/ Change d	Versions		Page
				CPU Unit	Sysmac Studio	
	LimitAlarmDv_**	Upper/Lower Deviation Alarm Group	New	Ver. 1.02	Ver. 1.03	page 2-810
	LimitAlarmDvStby-Seq_**	Upper/Lower Deviation Alarm with Standby Sequence Group	New	Ver. 1.02	---	page 2-815
	ScaleTrans	Scale Transformation	New	Ver. 1.05	Ver. 1.06	page 2-833
	AC_StepProgram	Step Program	New Changed	Ver. 1.06 Ver.1.21/ Ver.1.32	Ver. 1.07 Ver.1.28	page 2-836
System Control Instructions	ResetMCErr	Reset Motion Control Error	Changed	Ver. 1.02 Ver. 1.10	Ver. 1.03 Ver. 1.12	page 2-896
	GetECErr	Get EtherCAT Error Status	Changed	Ver. 1.02	Ver. 1.03	page 2-906
	ResetNXBErr	Reset NX Bus Error	New	Ver. 1.13	Ver. 1.17	page 2-909
	GetNXBErr	Get NX Bus Error Status	New	Ver. 1.13	Ver. 1.17	page 2-911
	GetNXUnitErr	Get NX Unit Error Status	New	Ver. 1.13	Ver. 1.17	page 2-913
	ResetXBUnitErr	Reset X Bus Unit Error	New	Ver. 1.61	Ver. 1.54	page 2-920
	GetXBErr	Get X Bus Error Status	New	Ver. 1.61	Ver. 1.54	page 2-922
	GetXBUnitErr	Get X Bus Unit Error Status	New	Ver. 1.61	Ver. 1.54	page 2-924
	RestartNXUnit	Restart NX Unit	New Changed	Ver. 1.05 Ver. 1.07	Ver. 1.06 Ver. 1.08	page 2-936
	NX_ChangeWrite-Mode	Change to NX Unit Write Mode	New	Ver. 1.05	Ver. 1.06	page 2-942
	NX_SaveParam	Save NX Unit Parameters	New	Ver. 1.05	Ver. 1.06	page 2-948
	PLC_ReadTotal-PowerOnTime	Read PLC Total Power ON Time	New	Ver. 1.13	Ver. 1.17	page 2-954
	NX_ReadTotalPowerOnTime	Read NX Unit Total Power ON Time	New	Ver. 1.10	Ver. 1.12	page 2-957
	XBUnit_ReadTotal-PowerOnTime	Read X Bus Unit Total Power ON Time	New	Ver. 1.61	Ver. 1.54	page 2-965
APB_ChangeSamplingSettings	Change Sampling Settings	New	Ver.1.63 <sup>*3</sup>	Ver.1.55	page 2-967	
Program Control Instructions	PrgStart	Enable Program	New	Ver. 1.08	Ver. 1.09	page 2-972
	PrgStop	Disable Program	New	Ver. 1.08	Ver. 1.09	page 2-981
	PrgStatus	Read Program Status	New	Ver. 1.08	Ver. 1.09	page 2-1000
EtherCAT Communications Instructions	EC_StartMon	Start EtherCAT Packet Monitor	Changed	Ver. 1.10	Ver.1.12 <sup>*1</sup>	page 2-1015
			Changed	Ver.1.40 <sup>*2</sup>	Ver.1.29	
	EC_StopMon	Stop EtherCAT Packet Monitor	Changed	Ver. 1.10	Ver.1.12 <sup>*1</sup>	page 2-1021
			Changed	Ver.1.40 <sup>*2</sup>	Ver.1.29	

Type	Instruction	Name	New/ Change d	Versions		Page
				CPU Unit	Sysmac Studio	
	EC_SaveMon	Save EtherCAT Packets	Changed	Ver. 1.10	Ver.1.12 <sup>*1</sup>	page 2-1023
			Changed	Ver.1.40 <sup>*2</sup>	Ver.1.29	
	EC_CopyMon	Transfer EtherCAT Packets	Changed	Ver. 1.10	Ver.1.12 <sup>*1</sup>	page 2-1025
			Changed	Ver.1.40 <sup>*2</sup>	Ver.1.29	
	EC_ChangeEnableSetting	Enable/Disable EtherCAT Slave	New	Ver. 1.04	Ver. 1.05	page 2-1037
	EC_GetMasterStatistics	Read EtherCAT Master Diagnostic and Statistical Information	New	Ver.1.64	Ver.1.56	page 2-1057
	EC_ClearMasterStatistics	Clear EtherCAT Master Diagnostic and Statistical Information	New	Ver.1.64	Ver.1.56	page 2-1060
	EC_GetSlaveStatistics	Read EtherCAT Slave Diagnostic and Statistical Information	New	Ver.1.64	Ver.1.56	page 2-1062
	EC_ClearSlaveStatistics	Clear EtherCAT Slave Diagnostic and Statistical Information	New	Ver.1.64	Ver.1.56	page 2-1065
NX_WriteObj	Write NX Unit Object	New	Ver. 1.05	Ver. 1.06	page 2-1067	
NX_ReadObj	Read NX Unit Object	New	Ver. 1.05	Ver. 1.06	page 2-1083	
IO-Link Communications Instructions	IOL_ReadObj	Read IO-Link Device Object	New	Ver. 1.12	Ver. 1.16	page 2-1092
	IOL_WriteObj	Write IO-Link Device Object	New	Ver. 1.12	Ver. 1.16	page 2-1101
EtherNet/IP Communications Instructions	CIPOpenWithDataSize	Open CIP Class 3 Connection with Specified Data Size	New	Ver. 1.06	Ver. 1.07	page 2-1123
	CIPSend	Send Explicit Message Class 3	Changed	Ver. 1.11	Ver. 1.15	page 2-1139
	CIPUCMMSend	Send Explicit Message UCMM	Changed	Ver. 1.11	Ver. 1.15	page 2-1160
	SkTUDPCreate	Create UDP Socket	Changed	Ver. 1.03	---	page 2-1171
			Changed	Ver. 1.10	Ver. 1.13	
	SkTTCPAccept	Accept TCP Socket	Changed	Ver. 1.03	---	page 2-1186
	SkTTCPCConnect	Connect TCP Socket	Changed	Ver. 1.03	---	page 2-1189
	SkTSetOption	Set TCP Socket Option	New	Ver. 1.12 <sup>*4</sup>	Ver.1.16 <sup>*4</sup>	page 2-1213
	SkTTLSCConnect	Establish TLS Session	New	*5	Ver. 1.46	page 2-1218
	SkTTLSTRead	Receive TLS	New	*5	Ver. 1.46	page 2-1228
	SkTTLSTWrite	Send TLS	New	*5	Ver. 1.46	page 2-1231
	SkTTLSTDisconnect	Disconnect TLS Session	New	*5	Ver. 1.46	page 2-1233
	SkTTLSTClearBuf	Clear TLS Session Receive Buffer	New	*5	Ver. 1.46	page 2-1235
SkTTLSTStopLog	Stop Secure Socket Communications Log	New	*5	Ver. 1.46	page 2-1237	



Type	Instruction	Name	New/ Change d	Versions		Page
				CPU Unit	Sysmac Studio	
	ModbusTCPcmd	Send Modbus TCP General Command	New	Ver.1.30	Ver.1.23	page 2-1240
	ModbusTCPRead	Send Modbus TCP Read Command	New	Ver.1.30	Ver.1.23	page 2-1248
	ModbusTCPWrite	Send Modbus TCP Write Command	New	Ver.1.30	Ver.1.23	page 2-1256
	ChangeIPAdr	Change IP Address	New	Ver. 1.02	Ver. 1.03	page 2-1264
			Changed	Ver. 1.10	Ver. 1.13	
	ChangeXBUnitl-PAAdr	Change IP Address of X Bus Unit	New	Ver. 1.61	Ver. 1.54	page 2-1274
	ChangeFTPAccount	Change FTP Account	New	Ver. 1.02	Ver. 1.03	page 2-1278
			Changed	Ver. 1.10	Ver. 1.13	
	ChangeNTPServerAdr	Change NTP Server Address	New	Ver. 1.02	Ver. 1.03	page 2-1282
			Changed	Ver. 1.10	Ver. 1.13	
	FTPGetFileList	Get FTP Server File List	New	Ver. 1.08	Ver. 1.09	page 2-1287
			Changed	Ver. 1.09	Ver. 1.10	
			Changed	Ver. 1.16	---	
	FTPGetFile	Get File from FTP Server	New	Ver. 1.08	Ver. 1.09	page 2-1302
			Changed	Ver. 1.09	Ver. 1.10	
			Changed	Ver. 1.16	---	
	FTPputFile	Put File onto FTP Server	New	Ver. 1.08	Ver. 1.09	page 2-1311
			Changed	Ver. 1.09	Ver. 1.10	
			Changed	Ver. 1.16	---	
	FTPRemoveFile	Delete FTP Server File	New	Ver. 1.08	Ver. 1.09	page 2-1322
			Changed	Ver. 1.09	Ver. 1.10	
			Changed	Ver. 1.16	---	
	FTPRemoveDir	Delete FTP Server Directory	New	Ver. 1.08	Ver. 1.09	page 2-1332
			Changed	Ver. 1.09	Ver. 1.10	
			Changed	Ver. 1.16	---	
Serial Communications Instructions	SerialRcvNoClear*6	SCU Receive Serial without Receive Buffer Clear	New	Ver. 1.03	Ver. 1.04	page 2-1363
	NX_SerialSend	Send No-protocol Data	New	Ver. 1.11	Ver. 1.15	page 2-1391
	NX_SerialRcv	Receive No-protocol Data	New	Ver. 1.11	Ver. 1.15	page 2-1404
	NX_ModbusRtuCmd	Send Modbus RTU General Command	New	Ver. 1.11	Ver. 1.15	page 2-1419
	NX_ModbusRtuRead	Send Modbus RTU Read Command	New	Ver. 1.11	Ver. 1.15	page 2-1430
	NX_ModbusRtuWrite	Send Modbus RTU Write Command	New	Ver. 1.11	Ver. 1.15	page 2-1441
	NX_SerialSigCtl	Serial Control Signal ON/OFF Switching	New	Ver. 1.11	Ver. 1.15	page 2-1452
	NX_SerialSigRead	Read Serial Control Signal	New	Ver. 1.13	Ver. 1.17	page 2-1460
	NX_SerialStatusRead	Read Serial Port Status	New	Ver. 1.13	Ver. 1.17	page 2-1465



Type	Instruction	Name	New/ Change d	Versions		Page
				CPU Unit	Sysmac Studio	
	NX_SerialBufClear	Clear Buffer	New	Ver. 1.11	Ver. 1.15	page 2-1470
	NX_SerialStartMon	Start Serial Line Monitoring	New	Ver. 1.11	Ver. 1.15	page 2-1480
	NX_SerialStopMon	Stop Serial Line Monitoring	New	Ver. 1.11	Ver. 1.15	page 2-1485
SD Memory Card Instructions	BackupToMemoryCard	SD Memory Card Backup	New	Ver. 1.08	Ver. 1.09	page 2-1570
Time Stamp Instructions	NX_DOutTimeStamp	Write Digital Output with Specified Time Stamp	New	Ver. 1.06	Ver. 1.07	page 2-1584
	NX_AryDOutTimeStamp	Write Digital Output Array with Specified Time Stamp	New	Ver. 1.06	Ver. 1.07	page 2-1590
Other Instructions	GetMyTaskInterval	Read Current Task Period	New	Ver. 1.08	Ver. 1.09	page 2-1610
	ActEventTask	Activate Event Task	New	Ver. 1.03	Ver. 1.04	page 2-1620
	GetPrgHashCode	Get Program Hash Code	New	Ver.1.50 *7	Ver.1.52 *7	page 2-1631

- \*1. For an NJ101 CPU Unit, Sysmac Studio version 1.13 or higher is required.
- \*2. You cannot use this instruction for project unit version 1.40 or later.
- \*3. For an NX701 CPU Unit, a CPU Unit with unit version 1.35 or later is required to use this instruction.
- \*4. For an NX1P2 CPU Unit, a CPU Unit with unit version 1.14 or later and Sysmac Studio version 1.18 or higher are required to use this instruction.
- \*5. An NX502 CPU Unit is required to use this instruction. For an NX102-□□00 CPU Unit with unit version 1.46 or later or an NX102-□□20 CPU Unit with unit version 1.37 or later is required to use this instruction. For an NX1P2 CPU Unit, a CPU Unit with unit version 1.46 or later is required to use this instruction.
- \*6. A CPU Unit with unit version 1.03 or later, Sysmac Studio version 1.04 or higher, and a Serial Communications Unit with unit version 2.1 or later are required to use the SerialRcvNoClear instruction.
- \*7. For an NX701 CPU Unit, a CPU Unit with unit version 1.32 or later and Sysmac Studio version 1.53 or higher are required to use this instruction.

## A-6-2 What to Do If An Error Message Says the Instruction May Cause Unintended Operations

The Sysmac Studio may display the following error message:

- The instruction may cause unintended operations. Refer to the Instruction Reference Manual for details.

The message is the results of restrictions in the user program. The user program may need to be corrected.

This appendix describes the conditions under which this error message may be displayed and how to correct the user program



### Version Information

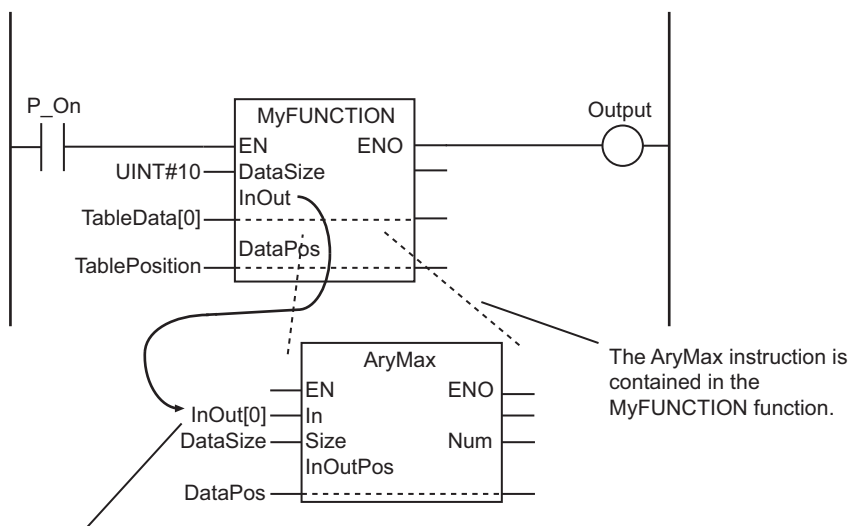
This error message is displayed only for Sysmac Studio version 1.02.

## Conditions for Display of the Error Message

The error message is displayed when an in-out variable in a function or function block is passed to a specific variable of a specific instruction within the same function or function block.

A table of the instructions and variables for which the error message is displayed is given later in this appendix.

### Programming Example for Which the Error Message Is Displayed



In this example, the *InOut* in-out variable of MyFUNCTION is passed to the *In* variable of the AryMax instruction.

## Instructions and Variables for Which the Error Message Is Displayed

This error message is displayed only for specific variables of specific instructions. These are listed in the following table.

Type	Instruction	Name	Function	Page
Comparison Instructions	TableCmp	Table Comparison	Table and AryOut	page 2-122
	AryCmpEQ	Array Comparison Equal	In1, In2, and AryOut	page 2-125
	AryCmpNE	Array Comparison Not Equal	In1, In2, and AryOut	page 2-125
	AryCmpLT	Array Comparison Less Than	In1, In2, and AryOut	page 2-127
	AryCmpLE	Array Comparison Less Than Or Equal	In1, In2, and AryOut	page 2-127
	AryCmpGT	Array Comparison Greater Than	In1, In2, and AryOut	page 2-127
	AryCmpGE	Array Comparison Greater Than Or Equal	In1, In2, and AryOut	page 2-127
	AryCmpEQV	Array Value Comparison Equal	In1 and AryOut	page 2-130
	AryCmpNEV	Array Value Comparison Not Equal	In1 and AryOut	page 2-130
	AryCmpLTV	Array Value Comparison Less Than	In1 and AryOut	page 2-132

Type	Instruction	Name	Function	Page
	AryCmpLEV	Array Value Comparison Less Than Or Equal	In1 and AryOut	page 2-132
	AryCmpGTV	Array Value Comparison Greater Than	In1 and AryOut	page 2-132
	AryCmpGEV	Array Value Comparison Greater Than Or Equal	In1 and AryOut	page 2-132
Math In-structions	AryAdd	Array Addition	In1, In2, and AryOut	page 2-236
	AryAddV	Array Value Addition	In1 and AryOut	page 2-238
	ArySub	Array Subtraction	In1, In2, and AryOut	page 2-240
	ArySubV	Array Value Subtraction	In1 and AryOut	page 2-242
	AryMean	Array Mean	In	page 2-244
	ArySD	Array Element Standard Devia-tion	In	page 2-246
BCD Con- version In- structions	AryToBCD	Array BCD Conversion	In1 and AryOut	page 2-271
	AryToBin	Array Unsigned Integer Con- version	In1 and AryOut	page 2-273
Bit String Processing Instructions	AryAnd	Array Logical AND	In1, In2, and AryOut	page 2-349
	AryOr	Array Logical OR	In1, In2, and AryOut	page 2-349
	AryXor	Array Logical Exclusive OR	In1, In2, and AryOut	page 2-349
	AryXorN	Array Logical Exclusive NOR	In1, In2, and AryOut	page 2-349
Selection Instructions	AryMax	Array Maximum	In	page 2-367
	AryMin	Array Minimum	In	page 2-367
	ArySearch	Array Search	In	page 2-370
Data Movement Instructions	TransBits	Move Bits	InOut	page 2-381
	AryExchange	Array Data Exchange	InOut1 and InOut2	page 2-389
	AryMove	Array Move	In1 and AryOut	page 2-391
	Clear	Initialize	InOut	page 2-393
Shift In- structions	AryShiftReg	Shift Register	InOut	page 2-408
	AryShiftRegLR	Reversible Shift Register	InOut	page 2-410
	ArySHL	Array N-element Left Shift	InOut	page 2-413
	ArySHR	Array N-element Right Shift	InOut	page 2-413
	NSHLC	Shift N-bits Left with Carry	InOut	page 2-419
	NSHRC	Shift N-bits Right with Carry	InOut	page 2-419
Conversion Instructions	Decoder	Bit Decoder	InOut	page 2-431
	Encoder	Bit Encoder	In	page 2-434
	ColmToLine_**	Column to Line Conversion Group	In	page 2-437
	LineToColm	Line to Column Conversion	InOut	page 2-439
	PWLApprox	Broken Line Approximation	Line	page 2-450

Type	Instruction	Name	Function	Page
	MovingAverage	Moving Average	Buf	page 2-459
	StringToAry	Text String-to-Array Conversion	AryOut	page 2-490
	AryToString	Array-to-Text String Conversion	In	page 2-492
	DispartDigit	Four-bit Separation	AryOut	page 2-494
	UniteDigit_**	Four-bit Join Group	In	page 2-496
	Dispart8Bit	Byte Data Separation	AryOut	page 2-498
	Unite8Bit_**	Byte Data Join Group	In	page 2-500
	ToAryByte	Conversion to Byte Array	In1 and AryOut	page 2-502
	AryByteTo	Conversion from Byte Array	In and OutVal	page 2-508
	SizeOfAry	Get Number of Array Elements	In	page 2-514
Stack and Table Instructions	StackPush	Push onto Stack	InOut	page 2-526
	StackFIFO	First In First Out	InOut and OutVal	page 2-535
	StackLIFO	Last In First Out	InOut and OutVal	page 2-535
	StackIns	Insert into Stack	InOut	page 2-538
	StackDel	Delete from Stack	InOut	page 2-541
	RecSearch	Record Search	In, Member, and In-OutPos	page 2-543
	RecRangeSearch	Range Record Search	In, Member, and In-OutPos	page 2-548
	RecSort	Record Sort	InOut and Member	page 2-553
	RecNum	Get Number of Records	In and Member	page 2-559
	RecMax	Maximum Record Search	In, Member, and In-OutPos	page 2-562
RecMin	Minimum Record Search	In, Member, and In-OutPos	page 2-562	
FCS Instructions	AryLRC_**	Calculate Array LRC Group	In	page 2-576
	AryCRCCCITT	Calculate Array CRC-CCITT	In	page 2-578
	AryCRC16	Calculate Array CRC-16	In	page 2-580
System Control Instructions	SetAlarm	Create User-defined Error	Info1 and Info2	page 2-875
	SetInfo	Create User-defined Information	Info1 and Info2	page 2-927
EtherCAT Communications Instructions	EC_CoESDOWrite	Write EtherCAT CoE SDO	WriteDat	page 2-1006
	EC_CoESDORead	Read EtherCAT CoE SDO	ReadDat	page 2-1009
EtherNet/IP Communications Instructions	CIPRead	Read Variable Class 3 Explicit	DstDat	page 2-1127
	CIPWrite	Write Variable Class 3 Explicit	SrcDat	page 2-1133
	CIPSend	Send Explicit Message Class 3	ServiceDat and RespServiceDat	page 2-1139
	CIPUCMMRead	Read Variable UCMM Explicit	DstDat	page 2-1147
	CIPUCMMWrite	Write Variable UCMM Explicit	SrcDat	page 2-1153

Type	Instruction	Name	Function	Page
	CIPUCMMSend	Send Explicit Message UCMM	ServiceDat and RespServiceDat	page 2-1160
	SkUDPRcv	UDP Socket Receive	RcvDat	page 2-1179
	SkUDPSend	UDP Socket Send	SendDat	page 2-1183
	SkTCPRcv	TCP Socket Receive	RcvDat	page 2-1198
	SkTCPSend	TCP Socket Send	SendDat	page 2-1201
Serial Communications Instructions	ExecPMCR	Protocol Macro	SrcDat and DstDat	page 2-1338
	SerialSend	SCU Send Serial	SrcDat	page 2-1352
	SerialRcv	SCU Receive Serial	DstDat	page 2-1363
	SendCmd	Send Command	CmdDat and RespDat	page 2-1378
SD Memory Card Instructions	FileWriteVar	Write Variable to File	WriteVar	page 2-1490
	FileReadVar	Read Variable from File	ReadVar	page 2-1496
	FileRead	Read File	ReadBuf	page 2-1512
	FileWrite	Write File	WriteBuf	page 2-1520
Motion Control Instructions	MC_SetCamTableProperty	Set Cam Table Properties	CamTable	*1
	MC_SaveCamTable	Save Cam Table	CamTable	*1
	MC_Write	Write MC Setting	Target and Setting-Value	*1
	MC_CamIn	Start Cam Operation	CamTable	*1
	MC_ChangeAxisInGroup	Change Axes in Group	Axes	*1
Other Instructions	ChkRange	Check Subrange Variable	Val	page 2-1604

\*1. Refer to the *NJ/NX-series Motion Control Instructions Reference Manual (Cat. No. W508)* for details.

## Correcting the User Program

The user program must be corrected so that the error message is not displayed.

There are two ways to correct the user program.

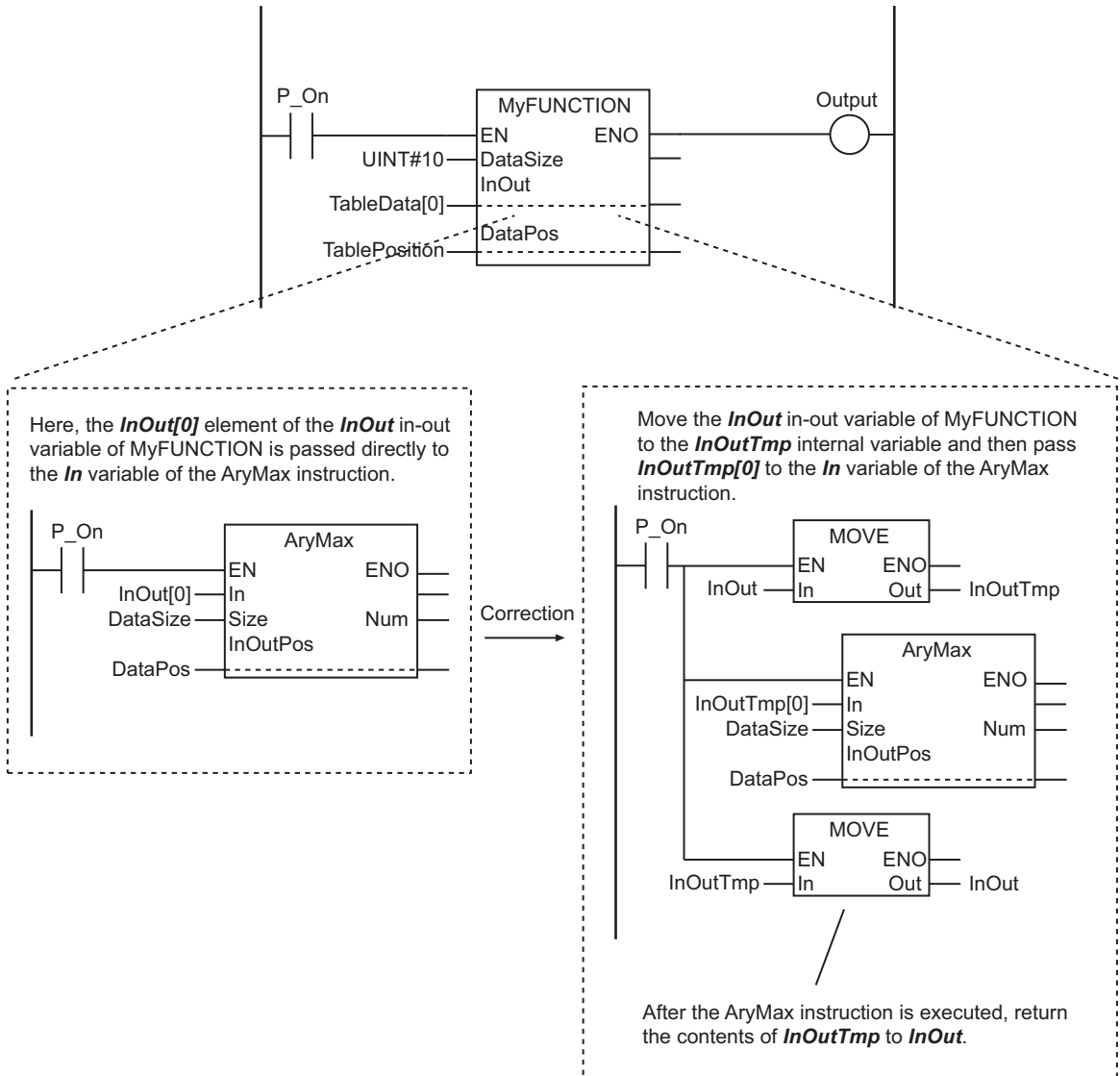
- Copy the in-out variable to an internal variable in the function or function block and then pass the internal variable to the instruction.
- Place the instruction outside of the function or function block.

### ● Passing the In-Out Variable to an Internal Variable

Do not pass the in-out variable of the function or function block directly to the instruction. Copy it to an internal variable first.

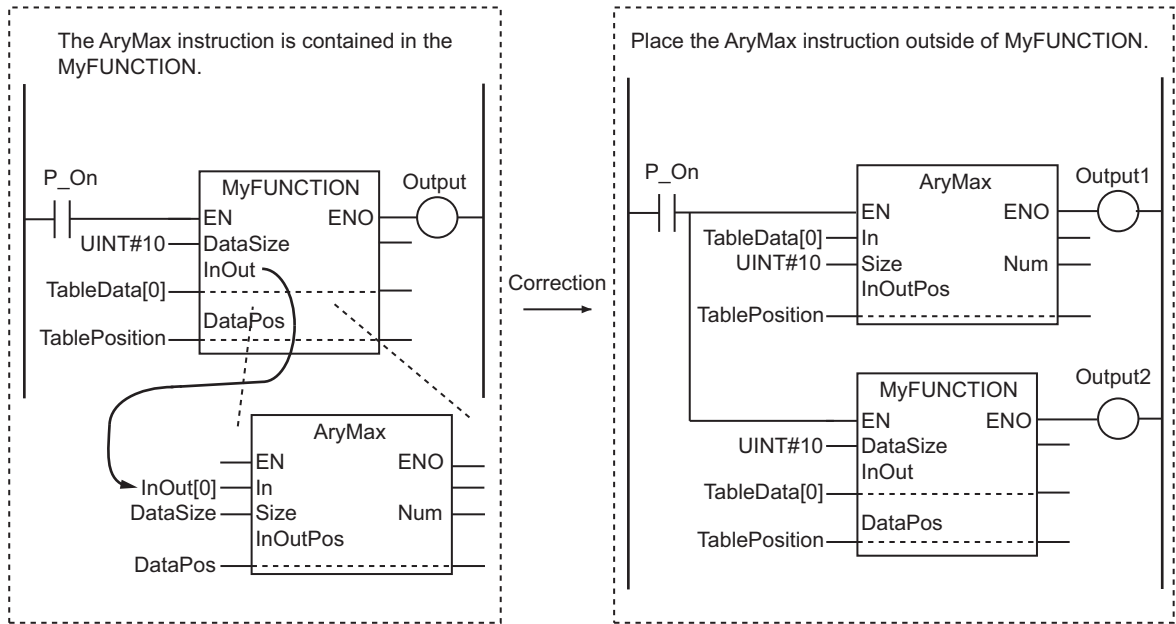
If the value of the internal variable changes when the instruction is executed, the internal variable is then copied back to the in-out variable after the instruction is executed.

However, this method cannot be used for the Clear instruction. To use the Clear instruction, place it outside the function or function block.



● **Placing the Instruction Outside of the Function or Function Block**

You can correct the problem by placing the instruction outside of the function or function block instead of inside it.



## When the Error Message Can Be Ignored

Even if the error message is displayed, there are cases when the instruction can be used without any problems. Whether the instruction can be used depends on the parameter that is passed to the in-out variable of the function or function block.

These conditions are listed in the following table.

Applicability of instruction	Parameter passed to in-out variable of function or function block
Can be used.	Basic data type, enumeration, array, structure, or union
Cannot be used.	One element of an array, or one member of a structure or union

### ● Example in Which the Instruction Can Be Used

In this example, an array is passed to the in-out variable of a function or function block and then used in an instruction inside the function or function block.

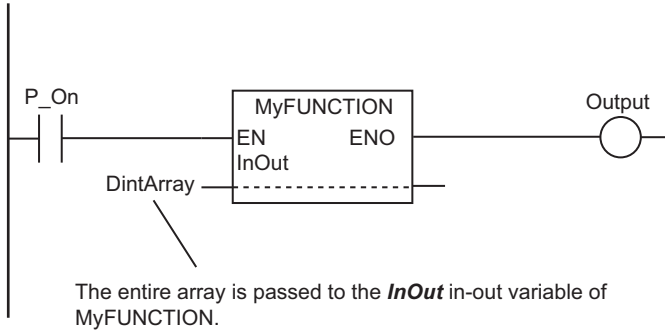
Variable Called by MyFUNCTION

Variable	Data type
DintArray	ARRAY[0..9] OF DINT

Variable in MyFUNCTION

Variable	Data type
InOut	ARRAY[0..9] OF DINT





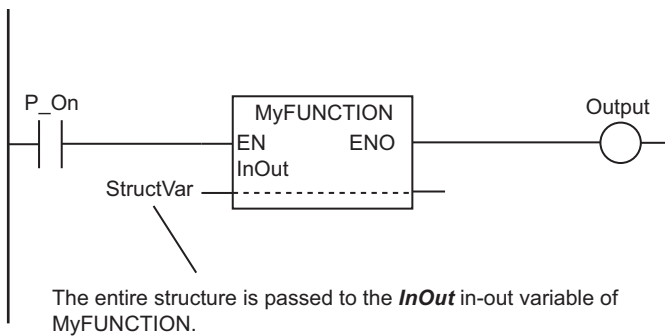
In this example, an structure is passed to the in-out variable of a function or function block and then used in an instruction inside the function or function block.

Variable Called by MyFUNCTION

Variable	Data type
StructVar	STRUCT

Variable in MyFUNCTION

Variable	Data type
InOut	STRUCT



● Example in Which the Instruction Cannot Be Used

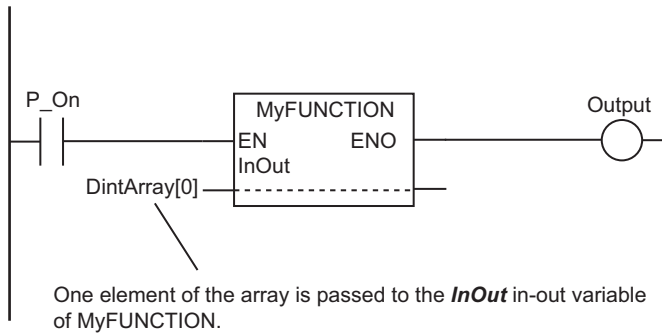
In the following example, one element of an array is passed to the in-out variable of a function or function block, so the instruction cannot be used inside the function or function block.

Variable Called by MyFUNCTION

Variable	Data type
DintArray	ARRAY[0..9] OF DINT

Variable in MyFUNCTION

Variable	Data type
InOut	DINT



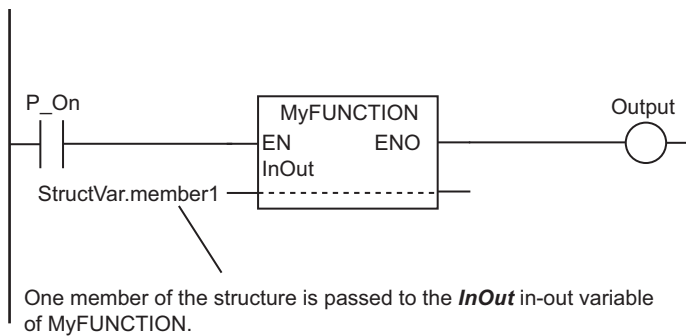
In the following example, one member of a structure is passed to the in-out variable of a function or function block, so the instruction cannot be used inside the function or function block.

Variable Called by MyFUNCTION

Variable	Data type
StructVar	STRUCT

Variable in MyFUNCTION

Variable	Data type
InOut	DINT



## Option Setting for Error Detection

As described above, there are cases when the instruction can be used even if the error message is displayed. There is an option in the Sysmac Studio that you can use to enable or disable detection of this error.

To prevent detection of this error, display the option settings on the Sysmac Studio and clear the selection of the **Detect an error when an in-out variable is passed to a specific instruction argument** Check Box in the **Program Check Area**. Refer to the *Sysmac Studio Version 1 Operation Manual (Cat. No. W504)* for the specific procedure.

However, before you disable detection of this error, make sure that all of the instructions in the user program can be used. Even if detection of this error is disabled, the same message will be displayed as a warning.

# CAUTION

If you clear the selection of this option, unexpected operation may occur for the instructions and the system may be affected.  
Always confirm that the conditions for use described in *When the Error Message Can Be Ignored* on page A-50 are met before you clear the selection of this option.



## Version Information

This error message is displayed and the above option setting is available only for Sysmac Studio version 1.02.







# Index



# Index

## Numerics

- (Subtraction).....	2-187
-OU (Subtraction with Overflow Check).....	2-190
* (Multiplication).....	2-194
** (Exponentiation).....	2-226
**_BCD_TO_*** (BCD-to-Unsigned Integer Conversion Group).....	2-256
**_TO_*** (Bit String-to-Bit String Conversion Group).....	2-289
**_TO_*** (Bit String-to-Integer Conversion Group).....	2-286
**_TO_*** (Bit String-to-Real Number Conversion Group).....	2-291
**_TO_*** (Integer-to-Bit String Conversion Group).....	2-280
**_TO_*** (Integer-to-Integer Conversion Group).....	2-277
**_TO_*** (Integer-to-Real Number Conversion Group).....	2-283
**_TO_*** (Real Number-to-Bit String Conversion Group).....	2-296
**_TO_*** (Real Number-to-Integer Conversion Group).....	2-293
**_TO_*** (Real Number-to-Real Number Conversion Group).....	2-299
**_TO_BCD_*** (Unsigned Integer-to-BCD Conversion Group).....	2-259
**_TO_STRING (Bit String-to-Text String Conversion Group).....	2-303
**_TO_STRING (Integer-to-Text String Conversion Group).....	2-301
**_TO_STRING (Real Number-to-Text String Conversion Group).....	2-305
*OU (Multiplication with Overflow Check).....	2-198
/ (Division).....	2-202
& (Logical AND).....	2-342
+ (Addition).....	2-179
+OU (Addition with Overflow Check).....	2-183
< (Less Than).....	2-108
<= (Less Than Or Equal).....	2-108
<> (Not Equal).....	2-105
= (Equal).....	2-102
> (Greater Than).....	2-108
>= (Greater Than Or Equal).....	2-108
2-byte Join.....	2-516
4-byte Join.....	2-518
ADD (Addition).....	2-179
Add Time.....	2-637
Add Time to Date and Time.....	2-641
Add Time to Time of Day.....	2-639
ADD_DT_TIME (Add Time to Date and Time).....	2-641
ADD_TIME (Add Time).....	2-637
ADD_TOD_TIME (Add Time to Time of Day).....	2-639
AddDelimiter (Put Text Strings with Delimiters).....	2-609
Addition.....	2-179
Addition with Overflow Check.....	2-183
AddOU (Addition with Overflow Check).....	2-183
AND.....	2-17
AND (AND).....	2-17
AND (Logical AND).....	2-342
AND NOT.....	2-17
ANDN (AND NOT).....	2-17
APB_ChangeSamplingSettings (Change Sampling Settings).....	2-967
Array Addition.....	2-236
Array BCD Conversion.....	2-271
Array Comparison Equal.....	2-125
Array Comparison Greater Than.....	2-127
Array Comparison Greater Than Or Equal.....	2-127
Array Comparison Less Than.....	2-127
Array Comparison Less Than Or Equal.....	2-127
Array Comparison Not Equal.....	2-125
Array Data Exchange.....	2-389
Array Element Standard Deviation.....	2-246
Array Logical AND.....	2-349
Array Logical Exclusive NOR.....	2-349
Array Logical Exclusive OR.....	2-349
Array Logical OR.....	2-349
Array Maximum.....	2-367
Array Mean.....	2-244
Array Minimum.....	2-367
Array Move.....	2-391
Array N-element Left Shift.....	2-413
Array N-element Right Shift.....	2-413
Array Search.....	2-370
Array Subtraction.....	2-240
Array Unsigned Integer Conversion.....	2-273
Array Value Addition.....	2-238
Array Value Comparison Equal.....	2-130
Array Value Comparison Greater Than.....	2-132
Array Value Comparison Greater Than Or Equal.....	2-132
Array Value Comparison Less Than.....	2-132
Array Value Comparison Less Than Or Equal.....	2-132
Array Value Comparison Not Equal.....	2-130
Array Value Subtraction.....	2-242
Array-to-Text String Conversion.....	2-492
AryAdd (Array Addition).....	2-236
AryAddV (Array Value Addition).....	2-238
AryAnd (Array Logical AND).....	2-349
AryByteTo (Conversion from Byte Array).....	2-508
AryCmpEQ (Array Comparison Equal).....	2-125

## A

ABS (Absolute Value).....	2-207
Absolute Value.....	2-207
AC_StepProgram (Step Program).....	2-836
Accept TCP Socket.....	2-1186
Accumulation Timer.....	2-148
AccumulationTimer (Accumulation Timer).....	2-148
ACOS (Principal Arc Cosine (COS <sup>-1</sup> )).....	2-214
ActEventTask (Activate Event Task).....	2-1620
Activate Event Task.....	2-1620

- AryCmpEQV (Array Value Comparison Equal).....2-130  
AryCmpGE (Array Comparison Greater Than Or Equal).....  
..... 2-127  
AryCmpGEV (Array Value Comparison Greater Than Or  
Equal).....2-132  
AryCmpGT (Array Comparison Greater Than)..... 2-127  
AryCmpGTV (Array Value Comparison Greater Than)..2-132  
AryCmpLE (Array Comparison Less Than Or Equal)....2-127  
AryCmpLEV (Array Value Comparison Less Than Or Equal).  
..... 2-132  
AryCmpLT (Array Comparison Less Than).....2-127  
AryCmpLTV (Array Value Comparison Less Than)..... 2-132  
AryCmpNE (Array Comparison Not Equal)..... 2-125  
AryCmpNEV (Array Value Comparison Not Equal)..... 2-130  
AryCRC16 (Calculate Array CRC-16)..... 2-580  
AryCRCCITT (Calculate Array CRC-CCITT)..... 2-578  
AryExchange (Array Data Exchange).....2-389  
AryLRC\_\*\* (Calculate Array LRC Group)..... 2-576  
AryMax (Array Maximum).....2-367  
AryMean (Array Mean).....2-244  
AryMin (Array Minimum).....2-367  
AryMove (Array Move).....2-391  
AryOr (Array Logical OR)..... 2-349  
ArySD (Array Element Standard Deviation)..... 2-246  
ArySearch (Array Search).....2-370  
AryShiftReg (Shift Register)..... 2-408  
AryShiftRegLR (Reversible Shift Register).....2-410  
ArySHL (Array N-element Left Shift)..... 2-413  
ArySHR (Array N-element Right Shift)..... 2-413  
ArySub (Array Subtraction).....2-240  
ArySubV (Array Value Subtraction)..... 2-242  
AryToBCD (Array BCD Conversion).....2-271  
AryToBin (Array Unsigned Integer Conversion).....2-273  
AryToString (Array-to-Text String Conversion)..... 2-492  
AryXor (Array Logical Exclusive OR).....2-349  
AryXorN (Array Logical Exclusive NOR)..... 2-349  
ASIN (Principal Arc Sine ( $\text{SIN}^{-1}$ ))..... 2-214  
ATAN (Principal Arc Tangent ( $\text{TAN}^{-1}$ ))..... 2-214
- B**
- 
- BackupToMemoryCard (SD Memory Card Backup)....2-1570  
Band (Deadband Control).....2-361  
BCD Data Type-to-Unsigned Integer Conversion Group.....  
..... 2-262  
BCD\_TO\_\*\* (BCD Data Type-to-Unsigned Integer Conver-  
sion Group)..... 2-262  
BCD-to-Unsigned Integer Conversion Group..... 2-256  
BCDsToBin (Signed BCD-to-Signed Integer Conversion).....  
..... 2-265  
Binary Code-to-Gray Code Conversion.....2-487  
Binary Selection.....2-354  
BinToBCDs\_\*\* (Signed Integer-to-BCD Conversion Group)...  
..... 2-268  
BinToGray\_\*\* (Binary Code-to-Gray Code Conversion)2-487  
Bit Counter.....2-436  
Bit Decoder.....2-431  
Bit Encoder.....2-434  
Bit Pattern Copy (Bit String to Real Number) Group..... 2-397  
Bit Pattern Copy (Bit String to Signed Integer) Group... 2-395  
Bit Pattern Copy (Real Number to Bit String) Group..... 2-403  
Bit Pattern Copy (Real Number to Signed Integer) Group.....  
..... 2-405  
Bit Pattern Copy (Signed Integer to Bit String) Group... 2-399  
Bit Pattern Copy (Signed Integer to Real Number) Group.....  
..... 2-401  
Bit Reversal.....2-347  
Bit String Conversion Group.....2-329  
Bit String-to-Bit String Conversion Group.....2-289  
Bit String-to-Integer Conversion Group.....2-286  
Bit String-to-Real Number Conversion Group.....2-291  
Bit String-to-Text String Conversion Group.....2-303  
BitCnt (Bit Counter).....2-436  
Block Set.....2-385  
BREAK (Break Loop).....2-99  
Break Down Date and Time.....2-696  
Break Loop.....2-42, 2-99  
Broken Line Approximation with Broken Line Data Check....  
..... 2-450  
Broken Line Approximation without Broken Line Data Check  
..... 2-450  
Broken Line Data Check.....2-456  
Byte Data Join Group.....2-500  
Byte Data Separation.....2-498
- C**
- 
- Calculate Array CRC-16.....2-580  
Calculate Array CRC-CCITT.....2-578  
Calculate Array LRC Group.....2-576  
Calculate Text String CRC-16.....2-574  
Calculate Text String CRC-CCITT.....2-572  
Calculate Text String LRC.....2-570  
Case.....2-32  
CASE (Case).....2-32  
Change File Name.....2-1558  
Change FTP Account.....2-1278  
Change IP Address.....2-1264  
Change IP Address of X Bus Unit.....2-1274  
Change NTP Server Address.....2-1282  
Change Sampling Settings.....2-967  
Change to NX Unit Write Mode.....2-942  
ChangeFTPAccount (Change FTP Account).....2-1278  
ChangeIPAdr (Change IP Address).....2-1264  
ChangeNTPServerAdr (Change NTP Server Address).....  
..... 2-1282  
ChangeXBUnitIPAdr (Change IP Address of X Bus Unit).....  
..... 2-1274  
Check for Leap Year.....2-686  
Check Subrange Variable.....2-1604  
CheckReal (Real Number Check).....2-252  
Checksum Calculation.....2-568  
ChkLeapYear (Check for Leap Year).....2-686  
ChkRange (Check Subrange Variable).....2-1604  
CIPClose (Close CIP Class 3 Connection).....2-1144  
CIPOpen (Open CIP Class 3 Connection).....2-1113  
CIPOpenWithDataSize (Open CIP Class 3 Connection with  
Specified Data Size).....2-1123

- CIPRead (Read Variable Class 3 Explicit)..... 2-1127
- CIPSend (Send Explicit Message Class 3)..... 2-1139
- CIPUCMM Read (Read Variable UCMM Explicit)..... 2-1147
- CIPUCMMSend (Send Explicit Message UCMM)..... 2-1160
- CIPUCMMWrite (Write Variable UCMM Explicit)..... 2-1153
- CIPWrite (Write Variable Class 3 Explicit)..... 2-1133
- Clear (Initialize)..... 2-393
- Clear Buffer..... 2-1470
- Clear EtherCAT Master Diagnostic and Statistical Information..... 2-1060
- Clear EtherCAT Slave Diagnostic and Statistical Information..... 2-1065
- Clear String..... 2-603
- Clear TCP/UDP Socket Receive Buffer..... 2-1210
- Clear TLS Session Receive Buffer..... 2-1235
- ClearString (Clear String)..... 2-603
- Close CIP Class 3 Connection..... 2-1144
- Close File..... 2-1506
- Close TCP/UDP Socket..... 2-1207
- Cmp (Compare)..... 2-118
- ColmToLine\_\*\* (Column to Line Conversion Group)..... 2-437
- Column to Line Conversion Group..... 2-437
- Combine Real Number Mantissa and Exponent..... 2-469
- Compare..... 2-118
- CONCAT (Concatenate String)..... 2-584
- CONCAT\_DATE\_TOD (Concatenate Date and Time of Day)..... 2-658
- Concatenate Date and Time of Day..... 2-658
- Concatenate String..... 2-584
- Connect EtherCAT Slave..... 2-1035
- Connect TCP Socket..... 2-1189
- Conversion from Byte Array..... 2-508
- Conversion to Byte Array..... 2-502
- Convert Date and Time to Seconds..... 2-668
- Convert Date to Seconds..... 2-670
- Convert Days to Month..... 2-690
- Convert Nanoseconds to Time..... 2-683
- Convert Seconds to Date..... 2-676
- Convert Seconds to Date and Time..... 2-674
- Convert Seconds to Time..... 2-684
- Convert Seconds to Time of Day..... 2-678
- Convert String to MD5..... 2-633
- Convert Time of Day to Seconds..... 2-672
- Convert Time to Nanoseconds..... 2-680
- Convert Time to Seconds..... 2-681
- Convert to Lowercase..... 2-605
- Convert to Uppercase..... 2-605
- Copy File..... 2-1545
- Copy\*\*To\*\*\* (Bit Pattern Copy (Bit String to Real Number) Group)..... 2-397
- Copy\*\*To\*\*\* (Bit Pattern Copy (Real Number to Bit String) Group)..... 2-403
- Copy\*\*ToNum (Bit Pattern Copy (Bit String to Signed Integer) Group)..... 2-395
- Copy\*\*ToNum (Bit Pattern Copy (Real Number to Signed Integer) Group)..... 2-405
- CopyNumTo\*\* (Bit Pattern Copy (Signed Integer to Bit String) Group)..... 2-399
- CopyNumTo\*\* (Bit Pattern Copy (Signed Integer to Real Number) Group)..... 2-401
- COS (Cosine in Radians)..... 2-211
- Cosine in Radians..... 2-211
- Create Directory..... 2-1564
- Create UDP Socket..... 2-1171
- Create User-defined Error..... 2-875
- Create User-defined Information..... 2-927
- CTD (Down-counter)..... 2-156
- CTD\_\*\* (Down-counter Group)..... 2-158
- CTU (Up-counter)..... 2-161
- CTU\_\*\* (Up-counter Group)..... 2-164
- CTUD (Up-down Counter)..... 2-167
- CTUD\_\*\* (Up-down Counter Group)..... 2-172

## D

- Data Exchange..... 2-387
- Data Trace Sampling..... 2-865
- Data Trace Trigger..... 2-869
- Date and Time-to-Text String Conversion..... 2-481
- Date-to-Text String Conversion..... 2-483
- DateStructToDt (Join Time)..... 2-699
- DateToSec (Convert Date to Seconds)..... 2-670
- DateToString (Date-to-Text String Conversion)..... 2-483
- DaysToMonth (Convert Days to Month)..... 2-690
- Dead Zone Control..... 2-363
- Deadband Control..... 2-361
- Dec (Decrement)..... 2-232
- Decoder (Bit Decoder)..... 2-431
- Decrement..... 2-232
- Degrees to Radians..... 2-209
- DegToRad (Degrees to Radians)..... 2-209
- DELETE (Delete String)..... 2-597
- Delete Directory..... 2-1567
- Delete File..... 2-1553
- Delete from Stack..... 2-541
- Delete FTP Server Directory..... 2-1332
- Delete FTP Server File..... 2-1322
- Delete String..... 2-597
- Determine Task Status..... 2-1612
- DirCreate (Create Directory)..... 2-1564
- DirRemove (Delete Directory)..... 2-1567
- Disable Program..... 2-981
- Disconnect EtherCAT Slave..... 2-1027
- Disconnect TLS Session..... 2-1233
- Dispart8Bit (Byte Data Separation)..... 2-498
- DispartDigit (Four-bit Separation)..... 2-494
- DispartReal (Separate Mantissa and Exponent)..... 2-466
- DIV (Division)..... 2-202
- Divide Time..... 2-656
- Division..... 2-202
- DIVTIME (Divide Time)..... 2-656
- Down (Down Trigger)..... 2-48
- Down Trigger..... 2-48
- Down-counter..... 2-156
- Down-counter Group..... 2-158
- DT\_TO\_DATE (Extract Date from Date and Time)..... 2-662



- DT\_TO\_TOD (Extract Time of Day from Date and Time)..... 2-660
- DtToDateStruct (Break Down Date and Time)..... 2-696
- DtToSec (Convert Date and Time to Seconds)..... 2-668
- DtToString (Date and Time-to-Text String Conversion). 2-481
- ## E
- EC\_ChangeEnableSetting (Enable/Disable EtherCAT Slave) ..... 2-1037
- EC\_ClearMasterStatistics (Clear EtherCAT Master Diagnostic and Statistical Information)..... 2-1060
- EC\_ClearSlaveStatistics (Clear EtherCAT Slave Diagnostic and Statistical Information) ..... 2-1065
- EC\_CoESDORed (Read EtherCAT CoE SDO)..... 2-1009
- EC\_CoESDOWrite (Write EtherCAT CoE SDO)..... 2-1006
- EC\_ConnectSlave (Connect EtherCAT Slave)..... 2-1035
- EC\_CopyMon (Transfer EtherCAT Packets)..... 2-1025
- EC\_DisconnectSlave (Disconnect EtherCAT Slave)... 2-1027
- EC\_GetMasterStatistics (Read EtherCAT Master Diagnostic and Statistical Information)..... 2-1057
- EC\_GetSlaveStatistics (Read EtherCAT Slave Diagnostic and Statistical Information)..... 2-1062
- EC\_SaveMon (Save EtherCAT Packets)..... 2-1023
- EC\_StartMon (Start EtherCAT Packet Monitor)..... 2-1015
- EC\_StopMon (Stop EtherCAT Packet Monitor)..... 2-1021
- Enable Program..... 2-972
- Enable/Disable EtherCAT Slave..... 2-1037
- Encoder (Bit Encoder)..... 2-434
- End..... 2-74
- End (End)..... 2-74
- Enumeration-to-Integer..... 2-333
- EnumToNum (Enumeration-to-Integer)..... 2-333
- EQ (Equal)..... 2-102
- EQascii (Text String Comparison Equal)..... 2-111
- Equal..... 2-102
- Establish TLS Session..... 2-1218
- Exchange (Data Exchange)..... 2-387
- ExecPMCR (Protocol Macro)..... 2-1338
- EXIT (Break Loop)..... 2-42
- EXP (Natural Exponential Operation)..... 2-224
- Exponentiation..... 2-226
- EXPT (Exponentiation)..... 2-226
- Extract Date from Date and Time..... 2-662
- Extract Time of Day from Date and Time..... 2-660
- ## F
- F\_TRIG (Down Trigger)..... 2-48
- FileClose (Close File)..... 2-1506
- FileCopy (Copy File)..... 2-1545
- FileGets (Get Text String)..... 2-1528
- FileOpen (Open File)..... 2-1502
- FilePuts (Put Text String)..... 2-1536
- FileRead (Read File)..... 2-1512
- FileReadVar (Read Variable from File)..... 2-1496
- FileRemove (Delete File)..... 2-1553
- FileRename (Change File Name)..... 2-1558
- FileSeek (Seek File)..... 2-1509
- FileWrite (Write File)..... 2-1520
- FileWriteVar (Write Variable to File)..... 2-1490
- FIND (Find String)..... 2-591
- Find String..... 2-591
- First In First Out..... 2-535
- Fixed-decimal Number-to-Text String Conversion..... 2-476
- Fixed-length Decimal Text String Conversion..... 2-471
- Fixed-length Hexadecimal Text String Conversion..... 2-471
- FixNumToString (Fixed-decimal Number-to-Text String Conversion)..... 2-476
- FOR (Repeat Start)..... 2-92
- Four-bit Join Group..... 2-496
- Four-bit Separation..... 2-494
- Fraction (Real Number Fraction)..... 2-250
- FTPGetFile (Get File from FTP Server)..... 2-1302
- FTPGetFileList (Get FTP Server File List)..... 2-1287
- FTPPutFile (Put File onto FTP Server)..... 2-1311
- FTPRemoveDir (Delete FTP Server Directory)..... 2-1332
- FTPRemoveFile (Delete FTP Server File)..... 2-1322
- ## G
- GE (Greater Than Or Equal)..... 2-108
- GEascii (Text String Comparison Greater Than or Equal)..... 2-115
- Get Byte Length..... 2-601
- Get Clock Pulse Group..... 2-1627
- Get Day of Week..... 2-692
- Get Days in Month..... 2-687
- Get EtherCAT Error Status..... 2-906
- Get EtherNet/IP Error Status..... 2-894
- Get File from FTP Server..... 2-1302
- Get First Number of Array..... 2-520
- Get FTP Server File List..... 2-1287
- Get I/O Bus Error Status..... 2-892
- Get Incrementing Free-running Counter Group..... 2-1629
- Get Last Number of Array..... 2-520
- Get Motion Control Error Status..... 2-902
- Get Number of Array Elements..... 2-514
- Get Number of Records..... 2-559
- Get NX Bus Error Status..... 2-911
- Get NX Unit Error Status..... 2-913
- Get PLC Controller Error Status..... 2-888
- Get Program Hash Code..... 2-1631
- Get String Any..... 2-589
- Get String Left..... 2-586
- Get String Right..... 2-586
- Get Text String..... 2-1528
- Get Text Strings Minus Delimiters..... 2-621
- Get Time of Day..... 2-666
- Get User-defined Error Status..... 2-882
- Get Week Number..... 2-694
- Get X Bus Error Status..... 2-922
- Get X Bus Unit Error Status..... 2-924
- Get\*\*Clk (Get Clock Pulse Group)..... 2-1627
- Get\*\*Cnt (Get Incrementing Free-running Counter Group)..... 2-1629
- GetAlarm (Get User-defined Error Status)..... 2-882
- GetByteLen (Get Byte Length)..... 2-601
- GetCJBError (Get I/O Bus Error Status)..... 2-892

GetDayOfWeek (Get Day of Week).....	2-692
GetDaysOfMonth (Get Days in Month).....	2-687
GetECError (Get EtherCAT Error Status).....	2-906
GetEIPError (Get EtherNet/IP Error Status).....	2-894
GetMCError (Get Motion Control Error Status).....	2-902
GetMyTaskInterval (Read Current Task Period).....	2-1610
GetMyTaskStatus (Read Current Task Status).....	2-1607
GetNTPStatus (Read NTP Status).....	2-934
GetNXBError (Get NX Bus Error Status).....	2-911
GetNXUnitError (Get NX Unit Error Status).....	2-913
GetPLCError (Get PLC Controller Error Status).....	2-888
GetPrgHashCode (Get Program Hash Code).....	2-1631
GetTime (Get Time of Day).....	2-666
GetTraceStatus (Read Data Trace Status).....	2-872
GetWeekOfYear (Get Week Number).....	2-694
GetXBError (Get X Bus Error Status).....	2-922
GetXBUnitError (Get X Bus Unit Error Status).....	2-924
Gray (Gray Code Conversion).....	2-441
Gray Code Conversion.....	2-441
Gray Code-to-Binary Code Conversion Group.....	2-487
GrayToBin_** (Gray Code-to-Binary Code Conversion Group).....	2-487
Greater Than.....	2-108
Greater Than Or Equal.....	2-108
GT (Greater Than).....	2-108
GTascii (Text String Comparison Greater Than).....	2-115

## H

Heating/Cooling PID with Autotuning.....	2-747
Hexadecimal Text String-to-Number Conversion Group.....	2-474
HexStringToNum_** (Hexadecimal Text String-to-Number Conversion Group).....	2-474
Hundred-ms Timer.....	2-152

## I

If.....	2-28
IF (If).....	2-28
Inc (Increment).....	2-232
Increment.....	2-232
Initialize.....	2-393
INSERT (Insert String).....	2-599
Insert into Stack.....	2-538
Insert String.....	2-599
Integer Conversion Group.....	2-327
Integer-to-Bit String Conversion Group.....	2-280
Integer-to-Enumeration.....	2-335
Integer-to-Integer Conversion Group.....	2-277
Integer-to-Real Number Conversion Group.....	2-283
Integer-to-Text String Conversion Group.....	2-301
IOL_ReadObj (Read IO-Link Device Object).....	2-1092
IOL_WriteObj (Write IO-Link Device Object).....	2-1101

## J

JMP (Jump).....	2-90
Join Time.....	2-699
Jump.....	2-90

## L

Last In First Out.....	2-535
LD (Load).....	2-14
LDN (Load NOT).....	2-14
LE (Less Than Or Equal).....	2-108
LEascii (Text String Comparison Less Than or Equal).....	2-115
LEFT (Get String Left).....	2-586
LEN (String Length).....	2-593
Less Than.....	2-108
Less Than Or Equal.....	2-108
LIMIT (Limiter).....	2-359
LimitAlarm_** (Upper/Lower Limit Alarm Group).....	2-805
LimitAlarmDv_** (Upper/Lower Deviation Alarm Group).....	2-810
LimitAlarmDvStbySeq_** (Upper/Lower Deviation Alarm with Standby Sequence Group).....	2-815
Limiter.....	2-359
Line to Column Conversion.....	2-439
LineToColm (Line to Column Conversion).....	2-439
LN (Natural Logarithm).....	2-220
Load.....	2-14
Load NOT.....	2-14
Lock (Lock Tasks).....	2-1614
Lock Tasks.....	2-1614
LOG (Logarithm Base 10).....	2-220
Logarithm Base 10.....	2-220
Logical AND.....	2-342
Logical Exclusive NOR.....	2-345
Logical Exclusive OR.....	2-342
Logical OR.....	2-342
LOWER_BOUND (Get First Number of Array).....	2-520
LREAL-to-Formatted Text String.....	2-313
LrealToFormatString (LREAL-to-Formatted Text String).....	2-313
LT (Less Than).....	2-108
LTascii (Text String Comparison Less Than).....	2-115

## M

Master Control End.....	2-77
Master Control Start.....	2-77
MAX (Maximum).....	2-365
Maximum.....	2-365
Maximum Record Search.....	2-562
MC (Master Control Start).....	2-77
MCR (Master Control End).....	2-77
MemCopy (Memory Copy).....	2-383
Memory Copy.....	2-383
MID (Get String Any).....	2-589
MIN (Minimum).....	2-365
Minimum.....	2-365
Minimum Record Search.....	2-562
MOD (Modulo-division).....	2-205
ModbusTCPCmd (Send Modbus TCP General Command).....	2-1240
ModbusTCPRead (Send Modbus TCP Read Command).....	2-1248

- ModbusTCPWrite (Send Modbus TCP Write Command)..... 2-1256
- ModReal (Real Number Modulo-division)..... 2-248
- Modulo-division..... 2-205
- Move..... 2-374
- MOVE (Move)..... 2-374
- Move Bit..... 2-377
- Move Bits..... 2-381
- Move Digit..... 2-379
- MoveBit (Move Bit)..... 2-377
- MoveDigit (Move Digit)..... 2-379
- Moving Average..... 2-459
- MovingAverage (Moving Average)..... 2-459
- MUL (Multiplication)..... 2-194
- MulOU (Multiplication with Overflow Check)..... 2-198
- MULTIME (Multiply Time)..... 2-654
- Multiplexer..... 2-356
- Multiplication..... 2-194
- Multiplication with Overflow Check..... 2-198
- Multiply Time..... 2-654
- MUX (Multiplexer)..... 2-356
- ## N
- N-bit Left Shift..... 2-416
- N-bit Read Group..... 2-1600
- N-bit Right Shift..... 2-416
- N-bit Write Group..... 2-1602
- NanoSecToTime (Convert Nanoseconds to Time)..... 2-683
- Natural Exponential Operation..... 2-224
- Natural Logarithm..... 2-220
- NE (Not Equal)..... 2-105
- NEascii (Text String Comparison Not Equal)..... 2-113
- Neg (Reverse Sign)..... 2-429
- NEXT (Repeat End)..... 2-92
- NOT (Bit Reversal)..... 2-347
- Not Equal..... 2-105
- NSHLC (Shift N-bits Left with Carry)..... 2-419
- NSHRC (Shift N-bits Right with Carry)..... 2-419
- NumToDecString (Fixed-length Decimal Text String Conversion)..... 2-471
- NumToEnum (Integer-to-Enumeration)..... 2-335
- NumToHexString (Fixed-length Hexadecimal Text String Conversion)..... 2-471
- NX\_AryDOutTimeStamp (Write Digital Output Array with Specified Time Stamp)..... 2-1590
- NX\_ChangeWriteMode (Change to NX Unit Write Mode)..... 2-942
- NX\_DOutTimeStamp (Write Digital Output with Specified Time Stamp)..... 2-1584
- NX\_ModbusRtuCmd (Send Modbus RTU General Command)..... 2-1419
- NX\_ModbusRtuRead (Send Modbus RTU Read Command)..... 2-1430
- NX\_ModbusRtuWrite (Send Modbus RTU Write Command)..... 2-1441
- NX\_ReadObj (Read NX Unit Object)..... 2-1083
- NX\_ReadTotalPowerOnTime (Read NX Unit Total Power ON Time)..... 2-957
- NX\_SaveParam (Save NX Unit Parameters)..... 2-948
- NX\_SerialBufClear (Clear Buffer)..... 2-1470
- NX\_SerialRcv (Receive No-protocol Data)..... 2-1404
- NX\_SerialSend (Send No-protocol Data)..... 2-1391
- NX\_SerialSigCtl (Serial Control Signal ON/OFF Switching)..... 2-1452
- NX\_SerialSigRead (Read Serial Control Signal)..... 2-1460
- NX\_SerialStartMon (Start Serial Line Monitoring)..... 2-1480
- NX\_SerialStatusRead (Read Serial Port Status)..... 2-1465
- NX\_SerialStopMon (Stop Serial Line Monitoring)..... 2-1485
- NX\_WriteObj (Write NX Unit Object)..... 2-1067
- ## O
- Off-Delay Timer..... 2-142
- On-Delay Timer..... 2-136
- Open CIP Class 3 Connection (Large\_Forward\_Open)..... 2-1113
- Open CIP Class 3 Connection with Specified Data Size..... 2-1123
- Open File..... 2-1502
- OR..... 2-20
- OR (Logical OR)..... 2-342
- OR NOT..... 2-20
- ORN (OR NOT)..... 2-20
- Out (Output)..... 2-23
- OutABit (Output A Bit)..... 2-71
- OutNot (Output NOT)..... 2-23
- Output..... 2-23
- Output A Bit..... 2-71
- Output NOT..... 2-23
- ## P
- PackDword (4-byte Join)..... 2-518
- PackWord (2-byte Join)..... 2-516
- PID Control with Autotuning..... 2-716
- PIDAT (PID Control with Autotuning)..... 2-716
- PIDAT\_HeatCool (Heating/Cooling PID with Autotuning)..... 2-747
- PLC\_ReadTotalPowerOnTime (Read PLC Total Power ON Time)..... 2-954
- PrgStart(Enable Program)..... 2-972
- PrgStatus (Read Program Status)..... 2-1000
- PrgStop (Disable Program)..... 2-981
- Principal Arc Cosine ( $\text{COS}^{-1}$ )..... 2-214
- Principal Arc Sine ( $\text{SIN}^{-1}$ )..... 2-214
- Principal Arc Tangent ( $\text{TAN}^{-1}$ )..... 2-214
- Protocol Macro..... 2-1338
- Push onto Stack..... 2-526
- Put File onto FTP Server..... 2-1311
- Put Text String..... 2-1536
- Put Text Strings with Delimiters..... 2-609
- PWLApprox (Broken Line Approximation with Broken Line Data Check)..... 2-450
- PWLApproxNoLineChk (Broken Line Approximation without Broken Line Data Check)..... 2-450
- PWLLineChk (Broken Line Data Check)..... 2-456

**R**

R_TRIG (Up Trigger).....	2-48
Radians to Degrees.....	2-209
RadToDeg (Radians to Degrees).....	2-209
Rand (Random Number).....	2-234
Random Number.....	2-234
Range Record Search.....	2-548
Read Current Task Period.....	2-1610
Read Current Task Status.....	2-1607
Read Data Trace Status.....	2-872
Read EtherCAT CoE SDO.....	2-1009
Read EtherCAT Master Diagnostic and Statistical Information.....	2-1057
Read EtherCAT Slave Diagnostic and Statistical Information.....	2-1062
Read File.....	2-1512
Read IO-Link Device Object.....	2-1092
Read NTP Status.....	2-934
Read NX Unit Object.....	2-1083
Read NX Unit Total Power ON Time.....	2-957
Read PLC Total Power ON Time.....	2-954
Read Program Status.....	2-1000
Read Serial Control Signal.....	2-1460
Read Serial Port Status.....	2-1465
Read TCP Socket Status.....	2-1204
Read Variable Class 3 Explicit.....	2-1127
Read Variable from File.....	2-1496
Read Variable UCMM Explicit.....	2-1147
Read X Bus Unit Total Power ON Time.....	2-965
ReadNbit_** (N-bit Read Group).....	2-1600
Real Number Check.....	2-252
Real Number Conversion Group.....	2-331
Real Number Fraction.....	2-250
Real Number Modulo-division.....	2-248
Real Number-to-Bit String Conversion Group.....	2-296
Real Number-to-Integer Conversion Group.....	2-293
Real Number-to-Real Number Conversion Group.....	2-299
Real Number-to-Text String Conversion Group.....	2-305
REAL-to-Formatted Text String.....	2-307
RealToFormatString (REAL-to-Formatted Text String).....	2-307
Receive No-protocol Data.....	2-1404
Receive TLS.....	2-1228
RecMax (Maximum Record Search).....	2-562
RecMin (Minimum Record Search).....	2-562
RecNum (Get Number of Records).....	2-559
Record Search.....	2-543
Record Sort.....	2-553
RecRangeSearch (Range Record Search).....	2-548
RecSearch (Record Search).....	2-543
RecSort (Record Sort).....	2-553
Repeat.....	2-39
REPEAT (Repeat).....	2-39
Repeat End.....	2-92
Repeat Start.....	2-92
REPLACE (Replace String).....	2-595
Replace String.....	2-595
Reset.....	2-62
Reset A Bit.....	2-69
Reset Bits.....	2-66
Reset CJ Bus Controller Error.....	2-890
Reset EtherCAT Error.....	2-904
Reset Motion Control Error.....	2-896
Reset NX Bus Error.....	2-909
Reset PLC Controller Error.....	2-884
Reset User-defined Error.....	2-880
Reset X Bus Unit Error.....	2-920
Reset-Priority Keep.....	2-56
ResetABit (Reset A Bit).....	2-69
ResetAlarm (Reset User-defined Error).....	2-880
ResetBits (Reset Bits).....	2-66
ResetCJBError (Reset CJ Bus Controller Error).....	2-890
ResetECError (Reset EtherCAT Error).....	2-904
ResetMCError (Reset Motion Control Error).....	2-896
ResetNXBError (Reset NX Bus Error).....	2-909
ResetPLCError (Reset PLC Controller Error).....	2-884
ResetUnit (Restart Unit).....	2-929
ResetXBUnitError (Reset X Bus Unit Error).....	2-920
Restart NX Unit.....	2-936
Restart Unit.....	2-929
RestartNXUnit (Restart NX Unit).....	2-936
Return.....	2-45, 2-75
RETURN (Return).....	2-45, 2-75
Reverse Sign.....	2-429
Reversible Shift Register.....	2-410
RIGHT (Get String Right).....	2-586
ROL (Rotate N-bits Left).....	2-422
ROR (Rotate N-bits Right).....	2-422
Rotate N-bits Left.....	2-422
Rotate N-bits Right.....	2-422
Round (Round Off Real Number).....	2-338
Round Off Real Number.....	2-338
Round Up Real Number.....	2-338
RoundUp (Round Up Real Number).....	2-338
RS (Reset-Priority Keep).....	2-56
<b>S</b>	
Save EtherCAT Packets.....	2-1023
Save NX Unit Parameters.....	2-948
Scale Transformation.....	2-833
ScaleTrans (Scale Transformation).....	2-833
SCU Receive Serial.....	2-1363
SCU Receive Serial without Receive Buffer Clear.....	2-1363
SCU Send Serial.....	2-1352
SD Memory Card Backup.....	2-1570
SecToDate (Convert Seconds to Date).....	2-676
SecToDt (Convert Seconds to Date and Time).....	2-674
SecToTime (Convert Seconds to Time).....	2-684
SecToTod (Convert Seconds to Time of Day).....	2-678
Seek File.....	2-1509
SEL (Binary Selection).....	2-354
Send Command.....	2-1378
Send Explicit Message Class 3.....	2-1139
Send Explicit Message UCMM.....	2-1160
Send Modbus RTU General Command.....	2-1419
Send Modbus RTU Read Command.....	2-1430
Send Modbus RTU Write Command.....	2-1441

- Send Modbus TCP General Command..... 2-1240
- Send Modbus TCP Read Command..... 2-1248
- Send Modbus TCP Write Command..... 2-1256
- Send No-protocol Data..... 2-1391
- Send TLS..... 2-1231
- SendCmd (Send Command)..... 2-1378
- Separate Mantissa and Exponent..... 2-466
- Serial Control Signal ON/OFF Switching..... 2-1452
- SerialRcv (SCU Receive Serial)..... 2-1363
- SerialRcvNoClear (SCU Receive Serial without Receive Buffer Clear)..... 2-1363
- SerialSend (SCU Send Serial)..... 2-1352
- Set..... 2-62
- Set A Bit..... 2-69
- Set Bits..... 2-66
- Set TCP Socket Option..... 2-1213
- Set Time..... 2-664
- Set-Priority Keep..... 2-59
- SetABit (Set A Bit)..... 2-69
- SetAlarm (Create User-defined Error)..... 2-875
- SetBits (Set Bits)..... 2-66
- SetBlock (Block Set)..... 2-385
- SetInfo (Create User-defined Information)..... 2-927
- SetTime (Set Time)..... 2-664
- Shift N-bits Left with Carry..... 2-419
- Shift N-bits Right with Carry..... 2-419
- Shift Register..... 2-408
- SHL (N-bit Left Shift)..... 2-416
- SHR (N-bit Right Shift)..... 2-416
- Signed BCD-to-Signed Integer Conversion..... 2-265
- Signed Integer-to-BCD Conversion Group..... 2-268
- SIN (Sine in Radians)..... 2-211
- Sine in Radians..... 2-211
- SizeOfAry (Get Number of Array Elements)..... 2-514
- SJIS to UTF-8 Character Code Conversion..... 2-448
- SJISToUTF8 (SJIS to UTF-8 Character Code Conversion)..... 2-448
- SktClearBuf (Clear TCP/UDP Socket Receive Buffer)..... 2-1210
- SktClose (Close TCP/UDP Socket)..... 2-1207
- SktGetTCPStatus (Read TCP Socket Status)..... 2-1204
- SktSetOption (Set TCP Socket Option)..... 2-1213
- SktTCPAccept (Accept TCP Socket)..... 2-1186
- SktTCPConnect (Connect TCP Socket)..... 2-1189
- SktTCPRcv (TCP Socket Receive)..... 2-1198
- SktTCPSEND (TCP Socket Send)..... 2-1201
- SktTLSClearBuf (Clear TLS Session Receive Buffer)..... 2-1235
- SktTLSConnect (Establish TLS Session)..... 2-1218
- SktTLSDisconnect (Disconnect TLS Session)..... 2-1233
- SktTLSRead (Receive TLS)..... 2-1228
- SktTLSStopLog (Stop Secure Socket Communications Log)..... 2-1237
- SktTLSWrite (Send TLS)..... 2-1231
- SktUDPCreate (Create UDP Socket)..... 2-1171
- SktUDPRcv (UDP Socket Receive)..... 2-1179
- SktUDPSend (UDP Socket Send)..... 2-1183
- SQRT (Square Root)..... 2-217
- Square Root..... 2-217
- SR (Set-Priority Keep)..... 2-59
- StackDel (Delete from Stack)..... 2-541
- StackFIFO (First In First Out)..... 2-535
- StackIns (Insert into Stack)..... 2-538
- StackLIFO (Last In First Out)..... 2-535
- StackPush (Push onto Stack)..... 2-526
- Start EtherCAT Packet Monitor..... 2-1015
- Start Serial Line Monitoring..... 2-1480
- Step Program..... 2-836
- Stop EtherCAT Packet Monitor..... 2-1021
- Stop Secure Socket Communications Log..... 2-1237
- Stop Serial Line Monitoring..... 2-1485
- String Length..... 2-593
- STRING\_TO\_\*\* (Text String-to-Bit String Conversion Group)..... 2-321
- STRING\_TO\_\*\* (Text String-to-Integer Conversion Group)..... 2-319
- STRING\_TO\_\*\* (Text String-to-Real Number Conversion Group)..... 2-323
- StringCRC16 (Calculate Text String CRC-16)..... 2-574
- StringCRCCITT (Calculate Text String CRC-CCITT)..... 2-572
- StringLRC (Calculate Text String LRC)..... 2-570
- StringMD5 (Convert String to MD5)..... 2-633
- StringSum (Checksum Calculation)..... 2-568
- StringToAry (Text String-to-Array Conversion)..... 2-490
- StringToFixNum (Text String-to-Fixed-decimal Conversion)..... 2-478
- SUB (Subtraction)..... 2-187
- SUB\_DATE\_DATE (Subtract Date)..... 2-649
- SUB\_DT\_DT (Subtract Date and Time)..... 2-650
- SUB\_DT\_TIME (Subtract Time from Date and Time)..... 2-652
- SUB\_TIME (Subtract Time)..... 2-643
- SUB\_TOD\_TIME (Subtract Time from Time of Day)..... 2-645
- SUB\_TOD\_TOD (Subtract Time of Day)..... 2-647
- SubDelimiter (Get Text Strings Minus Delimiters)..... 2-621
- SubOU (Subtraction with Overflow Check)..... 2-190
- Subtract Date..... 2-649
- Subtract Date and Time..... 2-650
- Subtract Time..... 2-643
- Subtract Time from Date and Time..... 2-652
- Subtract Time from Time of Day..... 2-645
- Subtract Time of Day..... 2-647
- Subtraction..... 2-187
- Subtraction with Overflow Check..... 2-190
- Swap (Swap Bytes)..... 2-427
- Swap Bytes..... 2-427

## T

- Table Comparison..... 2-122
- TableCmp (Table Comparison)..... 2-122
- TAN (Tangent in Radians)..... 2-211
- Tangent in Radians..... 2-211
- Task\_IsActive (Determine Task Status)..... 2-1612
- TCP Socket Receive..... 2-1198
- TCP Socket Send..... 2-1201
- Test A Bit..... 2-52
- Test A Bit NOT..... 2-52
- TestABit (Test A Bit)..... 2-52
- TestABitN (Test A Bit NOT)..... 2-52
- Text String Comparison Equal..... 2-111

- Text String Comparison Greater Than..... 2-115  
Text String Comparison Greater Than or Equal..... 2-115  
Text String Comparison Less Than..... 2-115  
Text String Comparison Less Than or Equal..... 2-115  
Text String Comparison Not Equal..... 2-113  
Text String-to-Array Conversion..... 2-490  
Text String-to-Bit String Conversion Group..... 2-321  
Text String-to-Fixed-decimal Conversion..... 2-478  
Text String-to-Integer Conversion Group..... 2-319  
Text String-to-Real Number Conversion Group..... 2-323  
Time of Day-to-Text String Conversion..... 2-485  
Time-proportional Output..... 2-785  
TimeProportionalOut (Time-proportional Output)..... 2-785  
Timer (Hundred-ms Timer)..... 2-152  
Timer Pulse..... 2-145  
TimeToNanoSec (Convert Time to Nanoseconds)..... 2-680  
TimeToSec (Convert Time to Seconds)..... 2-681  
TO\_\*\* (Bit String Conversion Group)..... 2-329  
TO\_\*\* (Integer Conversion Group)..... 2-327  
TO\_\*\* (Real Number Conversion Group)..... 2-331  
ToAryByte (Conversion to Byte Array)..... 2-502  
TodToSec (Convert Time of Day to Seconds)..... 2-672  
TodToString (Time of Day-to-Text String Conversion).... 2-485  
TOF (Off-Delay Timer)..... 2-142  
ToLCase (Convert to Lowercase)..... 2-605  
TON (On-Delay Timer)..... 2-136  
ToUCase (Convert to Uppercase)..... 2-605  
TP (Timer Pulse)..... 2-145  
TraceSamp (Data Trace Sampling)..... 2-865  
TraceTrig (Data Trace Trigger)..... 2-869  
TransBits (Move Bits)..... 2-381  
Transfer EtherCAT Packets..... 2-1025  
Trim String Left..... 2-607  
Trim String Right..... 2-607  
TrimL (Trim String Left)..... 2-607  
TrimR (Trim String Right)..... 2-607  
TRUNC (Truncate)..... 2-338  
Truncate..... 2-338  
Truncate Date and Time..... 2-706  
Truncate Time..... 2-702  
Truncate Time of Day..... 2-710  
TruncDt (Truncate Date and Time)..... 2-706  
TruncTime (Truncate Time)..... 2-702  
TruncTod (Truncate Time of Day)..... 2-710
- ## U
- 
- UDP Socket Receive..... 2-1179  
UDP Socket Send..... 2-1183  
Unite8Bit\_\*\* (Byte Data Join Group)..... 2-500  
UniteDigit\_\*\* (Four-bit Join Group)..... 2-496  
UniteReal (Combine Real Number Mantissa and Exponent).  
..... 2-469  
Unlock (Unlock Tasks)..... 2-1614  
Unlock Tasks..... 2-1614  
Unsigned Integer-to-BCD Conversion Group..... 2-259  
Up (Up Trigger)..... 2-48  
Up Trigger..... 2-48  
Up-counter..... 2-161  
Up-counter Group..... 2-164  
Up-down Counter..... 2-167  
Up-down Counter Group..... 2-172  
UPPER\_BOUND (Get Last Number of Array)..... 2-520  
Upper/Lower Deviation Alarm Group..... 2-810  
Upper/Lower Deviation Alarm with Standby Sequence  
Group..... 2-815  
Upper/Lower Limit Alarm Group..... 2-805  
UTF-8 to SJIS Character Code Conversion..... 2-446  
UTF8ToSJIS (UTF-8 to SJIS Character Code Conversion)....  
..... 2-446
- ## V
- 
- version..... 26
- ## W
- 
- While..... 2-36  
WHILE (While)..... 2-36  
Write Digital Output Array with Specified Time Stamp 2-1590  
Write Digital Output with Specified Time Stamp..... 2-1584  
Write EtherCAT CoE SDO..... 2-1006  
Write File..... 2-1520  
Write IO-Link Device Object..... 2-1101  
Write NX Unit Object..... 2-1067  
Write Variable Class 3 Explicit..... 2-1133  
Write Variable to File..... 2-1490  
Write Variable UCMM Explicit..... 2-1153  
WriteNbit\_\*\* (N-bit Write Group)..... 2-1602
- ## X
- 
- XBUnit\_ReadTotalPowerOnTime (Read X Bus Unit Total  
Power ON Time)..... 2-965  
XOR (Logical Exclusive OR)..... 2-342  
XORN (Logical Exclusive NOR)..... 2-345
- ## Z
- 
- Zone (Dead Zone Control)..... 2-363  
Zone Comparison..... 2-120  
ZoneCmp (Zone Comparison)..... 2-120



**OMRON Corporation Industrial Automation Company**

**Kyoto, JAPAN**

**Contact : [www.ia.omron.com](http://www.ia.omron.com)**

**Regional Headquarters**

**OMRON EUROPE B.V.**

Wegalaan 67-69, 2132 JD Hoofddorp  
The Netherlands  
Tel: (31) 2356-81-300 Fax: (31) 2356-81-388

**OMRON ASIA PACIFIC PTE. LTD.**

438B Alexandra Road, #08-01/02 Alexandra  
Technopark, Singapore 119968  
Tel: (65) 6835-3011 Fax: (65) 6835-3011

**OMRON ELECTRONICS LLC**

2895 Greenspoint Parkway, Suite 200  
Hoffman Estates, IL 60169 U.S.A.  
Tel: (1) 847-843-7900 Fax: (1) 847-843-7787

**OMRON (CHINA) CO., LTD.**

Room 2211, Bank of China Tower,  
200 Yin Cheng Zhong Road,  
PuDong New Area, Shanghai, 200120, China  
Tel: (86) 21-6023-0333 Fax: (86) 21-5037-2388

**Authorized Distributor:**

©OMRON Corporation 2011 - 2025 All Rights Reserved.  
In the interest of product improvement,  
specifications are subject to change without notice.

**Cat. No. W502-E1-46 1025**